



SAVE THESE INSTRUCTIONS

NOTE: Check ALL parts for shipping damage. If shipping damage is noted, DO NOT use. Contact carrier/dealer for further instruction.

Safety Summary

To ensure the safe and proper installation of the walker platform attachment, these instructions **MUST** be followed:

⚠ WARNING

DO NOT install this equipment without first reading and understanding this instruction sheet. If you are unable to understand the warnings, cautions and instructions, contact a healthcare professional, dealer or technical personnel if applicable, before attempting to install this equipment - otherwise, injury or damage may occur.

DO NOT use the walker platform attachment with any other walker accessories unless prescribed by a health care professional (Doctor-Therapist).

Ensure that **ALL** attaching hardware is secure.

Ensure that the walker is securely locked into the open position before installing the walker platform attachment - otherwise, injury may occur.

The walker **MUST** be level to the ground.

ALL four legs of the walker **MUST** be in contact with the floor when exerting weight onto the walker with the platform attachment.

DO NOT lean too far forward or to the side with the platform attachment as the walker may become unbalanced and injury may occur.

The walker platform attachment does not fall under any separate weight limitation beyond that of the walker that you are attaching it to, up to a maximum walker weight limitation of 300 pounds.

After platform attachment is installed, refer to your walker instructions for proper use of walker.

Acquaint yourself fully with the use of the platform attachment in the presence of a health care professional (Doctor-Therapist).

If the Walker Platform Attachment is exposed to extreme temperature (above 100°F or below 32°F), high humidity and/or becomes wet, prior to use, ensure handgrips **DO NOT** twist on the Walker Platform Attachment handle - otherwise damage or injury may occur.

Invacare products are specifically designed and manufactured for use in conjunction with Invacare accessories. Accessories designed by other manufacturers have not been tested by Invacare and are not recommended for use with Invacare products.

For more information regarding Invacare products, parts, and services,
please visit www.invacare.com

⚠ INSTALLATION WARNING

After ANY adjustments, repair or service and BEFORE use, make sure that all attaching component parts are secure.

Attaching the Platform Attachment

⚠ WARNING

Ensure that the walker is securely locked into the open position before installing the walker platform attachment.

NOTE: For this procedure, refer to FIGURE 1.

NOTE: Reverse this procedure to remove the platform attachment.

1. Open walker and secure in locked position before installing the walker platform attachment.
2. Determine which side of the walker the platform attachment will be mounted.
3. Loosen the adjustment on the upper clamp assembly (Detail "A").
4. Open the clamp assembly and align it with the walker frame.
5. Close the clamp assembly over the walker frame.
6. Securely tighten the adjustment knob on the clamp assembly.
7. Repeat STEPS 3 to 6 for the lower clamp assembly (Detail "B").

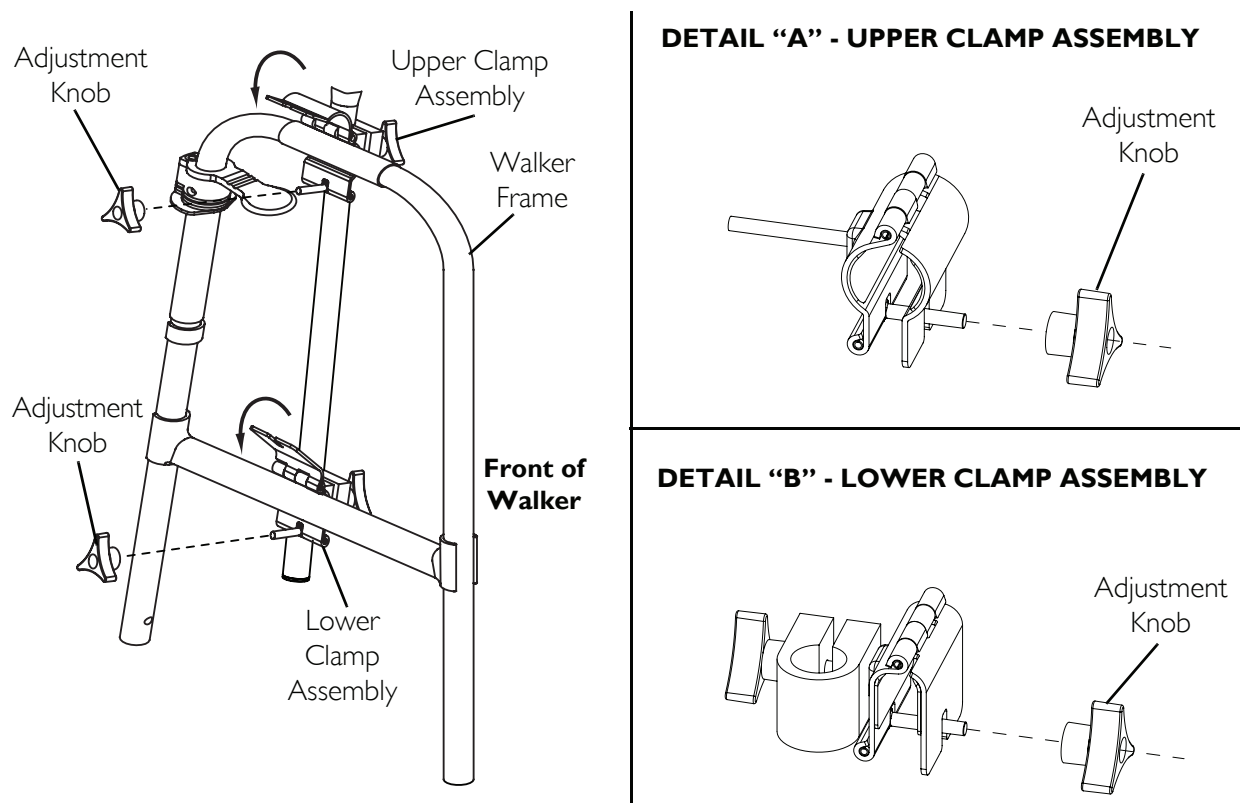


FIGURE 1 Attaching the Platform Attachment

Attaching/Adjusting the Arm Tube

NOTE: For this procedure, refer to FIGURE 2.

Attaching

1. Loosen arm tube adjustment knob, located just below the arm pad.
2. Slide arm tube into slot provided located underneath arm pad.
3. Adjust arm tube to desired position.
4. Securely tighten the arm tube adjustment knob.

Adjusting

1. Loosen the arm tube adjustment knob, located just below the arm pad.
2. Slide arm tube in or out to the desired position.
3. Securely tighten the arm tube adjustment knob.

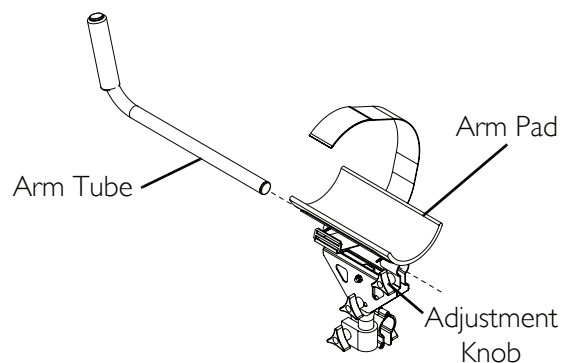


FIGURE 2 Attaching/Adjusting the Arm Tube

Adjusting Height

NOTE: For this procedure, refer to FIGURE 3.

1. Loosen the adjustment knobs that secure the U-clamps to the clamp assemblies.
2. Slide support tube through the U-clamps up or down until desired position is obtained.
3. Securely tighten adjustment knobs that secure the U-clamps to the clamp assemblies.

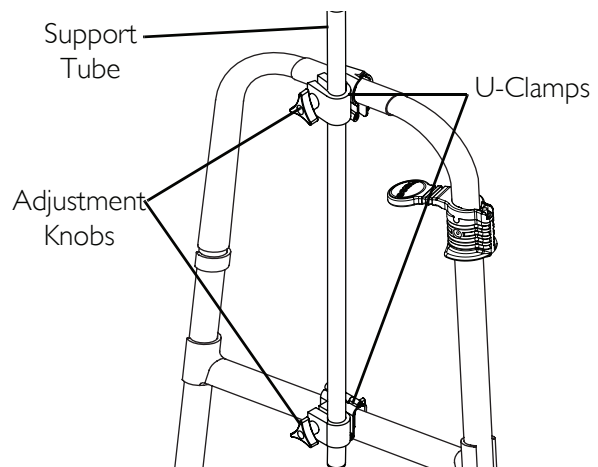


FIGURE 3 Adjusting Height

Adjusting Angle

NOTE: For this procedure, refer to FIGURE 4.

1. Loosen the adjustment knobs that secure the support tube to the U-clamps.

⚠ WARNING

DO NOT apply full weight while adjusting the angle, injury may result.

2. Gently, lay arm on arm pad.
3. Turn the support tube until desired angle is obtained.
4. Retighten adjustment knobs securing the support tube in position.

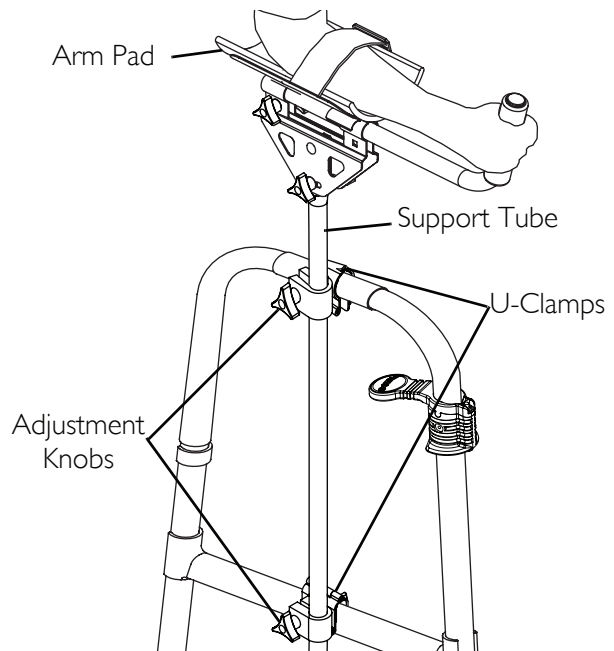


FIGURE 4 Adjusting Angle

Adjusting Tilt

NOTE: For this procedure, refer to FIGURE 5.

1. Loosen tilt adjustment knob.

NOTE: This is located where the support tube connects with the arm support.

2. Lift up or push down on arm tube to obtain the desired tilt.
3. Retighten tilt adjustment knob securely.

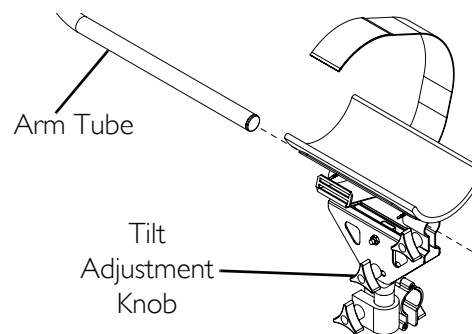


FIGURE 5 Adjusting Tilt

Securing the Arm Strap

NOTE: For this procedure, refer to FIGURE 6.

1. Unfasten arm strap by pulling up on the hook and loop fastening strap.
2. Loosen arm strap by pulling through ring.
3. Slide arm into position.
4. Pull fastening strap until a snug fit is obtained.
5. Fold the hook and loop fastening strap over ring and secure to arm strap.

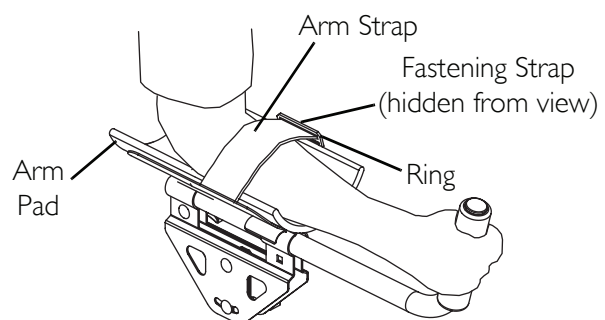


FIGURE 6 Securing the Arm Strap

Replacing Arm Pad

NOTE: For this procedure, refer to FIGURE 7.

NOTE: Note the position of the existing arm pad for correct installation of the new arm pad.

1. Slip existing pad off of arm support.
2. Place new cover and pad on arm support.

NOTE: The sides of the cover are on the outside of the arm support, while the ends are tucked in.

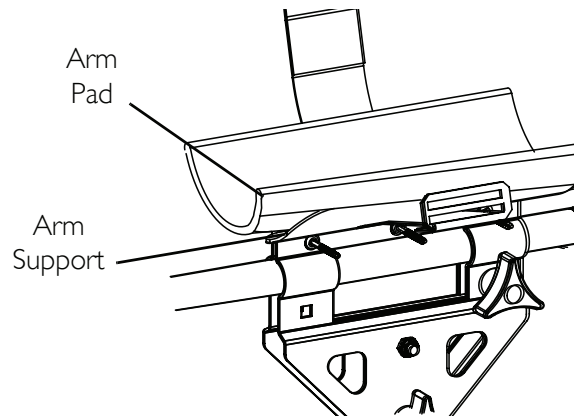


FIGURE 7 Replacing Arm Pad

Replacing Fastening Strap

NOTE: For this procedure, refer to FIGURE 8.

1. Remove arm pad and cover. Refer to STEP 1 in [Replacing Arm Pad](#) on page 5.

NOTE: Note the orientation of the existing arm strap for installation of the new arm strap.

2. Pull on ring and remove fastening strap through the slots in the arm support.
3. Thread the end, without the ring, of the new arm strap through slots in the arm support.

NOTE: Make sure the hook end is facing down or the arm strap will not secure properly.

4. Reinstall the arm pad and cover. Refer to STEP 2 in [Replacing Arm Pad](#) on page 5.

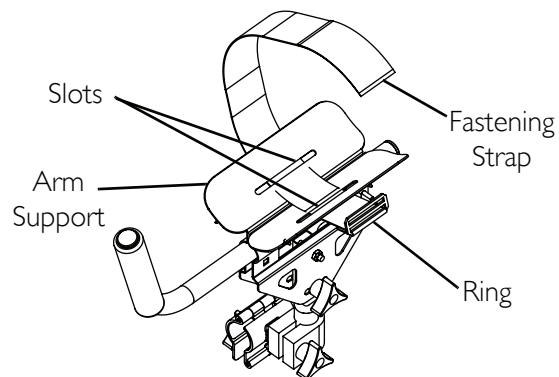


FIGURE 8 Replacing Fastening Strap

Storage

NOTE: The platform attachment does not require removal to fold the walker.

1. Fold the walker per your walker recommendations.
2. Lower the height of the platform attachments if necessary. Refer to [Adjusting Height](#) on page 3.

Care and Maintenance

1. Use a mild soap or detergent to clean the arm pads and dry thoroughly.
2. A light oil may be applied to the hardware to lubricate and aid in preventing rust.

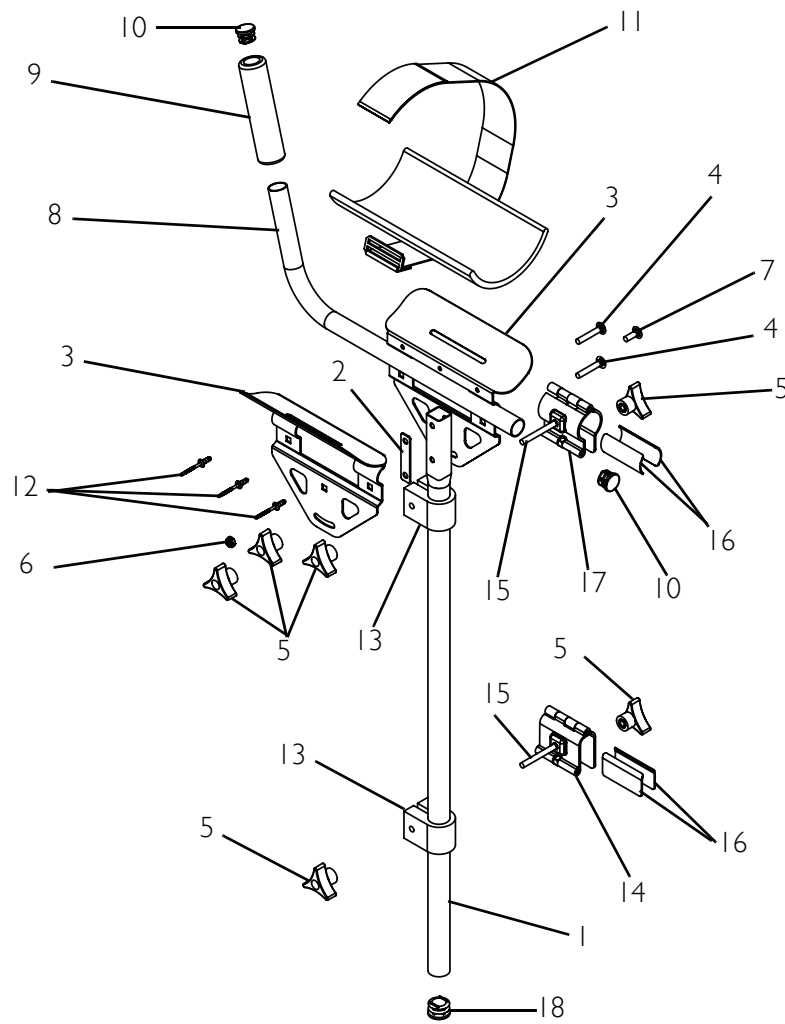


FIGURE 9 Parts List

| Item No. | Part No. | Description | Qty. |
|----------|-----------|--------------------------|------|
| 1 | 1141041 | Support Tube | 1 |
| 2 | 1062843 | Non-Skid Pad | 2 |
| 3 | 1069135 | Arm Support | 2 |
| 4 | 1013903 | Carriage Bolt | 2 |
| 5 | 1061131 | Knob | 6 |
| 6 | 60275x000 | Locknut | 1 |
| 7 | 10123x006 | Mounting Bolt | 1 |
| 8 | 1056286 | Arm Tube | 1 |
| 9 | 1016298 | Handle Push Grip | 1 |
| 10 | 1027096 | Universal Gray Plug | 2 |
| 11 | 1071284 | Arm Padding | 1 |
| 12 | 1068603 | Multi-Grip Rivet | 3 |
| 13 | 1068808 | Clamp | 2 |
| 14 | 1141031 | Clamp Assembly | 1 |
| 15 | 1069015 | Carriage Bolt | 2 |
| 16 | 1141039 | Non-Skid Pad | 4 |
| 17 | 1141034 | Clamp Assembly | 1 |
| 18 | 1057287 | 1" Universal Plug Button | 1 |

LIMITED WARRANTY

PLEASE NOTE: THE WARRANTY BELOW HAS BEEN DRAFTED TO COMPLY WITH FEDERAL LAW APPLICABLE TO PRODUCTS MANUFACTURED AFTER JULY 4, 1975.

This warranty is extended only to the original purchaser/user of our products.

This warranty gives you specific legal rights and you may also have other legal rights which vary from state to state.

With regards to the original purchaser/user only, Invacare warrants the front and rear frames to be free from defects in materials and workmanship for a period of five years from date of purchase; seat frame for a period of five years from the date of purchase; motors and gearboxes for a period of one and a half years from the date of purchase; electronics for a period of one year and all remaining components for one year from the date of purchase except upholstered materials, padded materials and tires/wheels. If within such warranty period any product shall be proven to be defective, such product shall be repaired or replaced, at Invacare's option. This warranty does not include any labor or shipping charges incurred in replacement part installation or repair of any such product. Invacare's sole obligation and your exclusive remedy under this warranty shall be limited to such repair and/or replacement.

For warranty service, please contact the dealer from whom you purchased your Invacare product. In the event you do not receive satisfactory warranty service, please write directly to Invacare at the address on the bottom of the back cover. Provide dealer's name address, date of purchase, indicate nature of the defect and, if the product is serialized, indicate the serial number. Do not return products to our factory without our prior consent.

LIMITATIONS AND EXCLUSIONS: THE FOREGOING WARRANTY SHALL NOT APPLY TO SERIAL NUMBERED PRODUCTS IF THE SERIAL NUMBER HAS BEEN REMOVED OR DEFACED, PRODUCTS SUBJECT TO NEGLIGENCE, ACCIDENT, IMPROPER OPERATION, MAINTENANCE OR STORAGE, COMMERCIAL OR INSTITUTIONAL USE, PRODUCTS MODIFIED WITHOUT INVACARE'S EXPRESS WRITTEN CONSENT INCLUDING, BUT NOT LIMITED TO, MODIFICATION THROUGH THE USE OF UNAUTHORIZED PARTS OR ATTACHMENTS; PRODUCTS DAMAGED BY REASON OF REPAIRS MADE TO ANY COMPONENT WITHOUT THE SPECIFIC CONSENT OF INVACARE, OR TO A PRODUCT DAMAGED BY CIRCUMSTANCES BEYOND INVACARE'S CONTROL, AND SUCH EVALUATION WILL BE SOLELY DETERMINED BY INVACARE. THE WARRANTY SHALL NOT APPLY TO PROBLEMS ARISING FROM NORMAL WEAR OR FAILURE TO ADHERE TO THESE INSTRUCTIONS.

THE FOREGOING EXPRESS WARRANTY IS EXCLUSIVE AND IN LIEU OF ANY OTHER WARRANTIES WHATSOEVER, WHETHER EXPRESS OR IMPLIED, INCLUDING THE IMPLIED WARRANTIES OF MERCHANTABILITY AND FITNESS FOR A PARTICULAR PURPOSE, AND THE SOLE REMEDY FOR VIOLATIONS OF ANY WARRANTY WHATSOEVER, SHALL BE LIMITED TO REPAIR OR REPLACEMENT OF THE DEFECTIVE PRODUCT PURSUANT TO THE TERMS CONTAINED HEREIN, THE APPLICATION OF ANY IMPLIED WARRANTY WHATSOEVER SHALL NOT EXTEND BEYOND THE DURATION OF THE EXPRESS WARRANTY PROVIDED HEREIN. INVACARE SHALL NOT BE LIABLE FOR ANY CONSEQUENTIAL OR INCIDENTAL DAMAGES WHATSOEVER.

THIS WARRANTY SHALL BE EXTENDED TO COMPLY WITH STATE/PROVINCIAL LAWS AND REQUIREMENTS.



Yes, you can.®

Invacare Corporation

www.invacare.com

USA

One Invacare Way
Elyria, Ohio USA
44036-2125
800-333-6900

Canada

570 Matheson Blvd E Unit 8
Mississauga Ontario
L4Z 4G4 Canada
800-668-5324

**PRODUCT MADE
IN CHINA**

Invacare, Yes, you can. and the Medallion
Design are registered trademarks of
Invacare Corporation.
© 2006 Invacare Corporation

Part No 1141466

Rev A - 2/23/06