

# TELESCOPING I.V. ROD KIT



## Assembly, Installation and Operating Instructions

Kit No. 1110154

Yes, you can!

### SAVE THESE INSTRUCTIONS

*NOTE: Check ALL parts for shipping damage. In case of shipping damage, DO NOT use. Contact Carrier/ Dealer for further instruction.*

## SAFETY SUMMARY

To ensure the safe installation and adjustment of the Telescoping I.V. Rod Kit, these instructions **MUST** be followed:

### GENERAL WARNINGS

**DO NOT** install or use this equipment without first reading and understanding this instruction sheet. If you are unable to understand the **Warnings, Cautions or Instructions**, contact a healthcare professional, dealer or technical personnel before attempting to install this equipment - otherwise, injury or damage may occur.

**DO NOT** pull/push the wheelchair by the I.V. rod assembly. Injury to the assistant/occupant and/or damage to the I.V. rod assembly may occur.

**DO NOT** place any objects on the I.V. rod assembly other than those determined by a healthcare professional.

### INSTALLATION WARNING

**After any adjustments, repair or service and BEFORE use, make sure all attaching hardware is securely tightened - otherwise injury or damage may result.**

This kit contains the following items:

DESCRIPTION	QUANTITY
Telescoping Tube	1
Short Hex Screw	1
Small Locknut	1
Long Hex Screw	1
Large Locknut	1
Adjustment Knob	1
Support Bracket	1
Washer	1

*NOTE: The I.V. Rod can be installed to either the right or left side of the wheelchair. The right side installation is shown in all figures. The left side installs in a similar manner.*

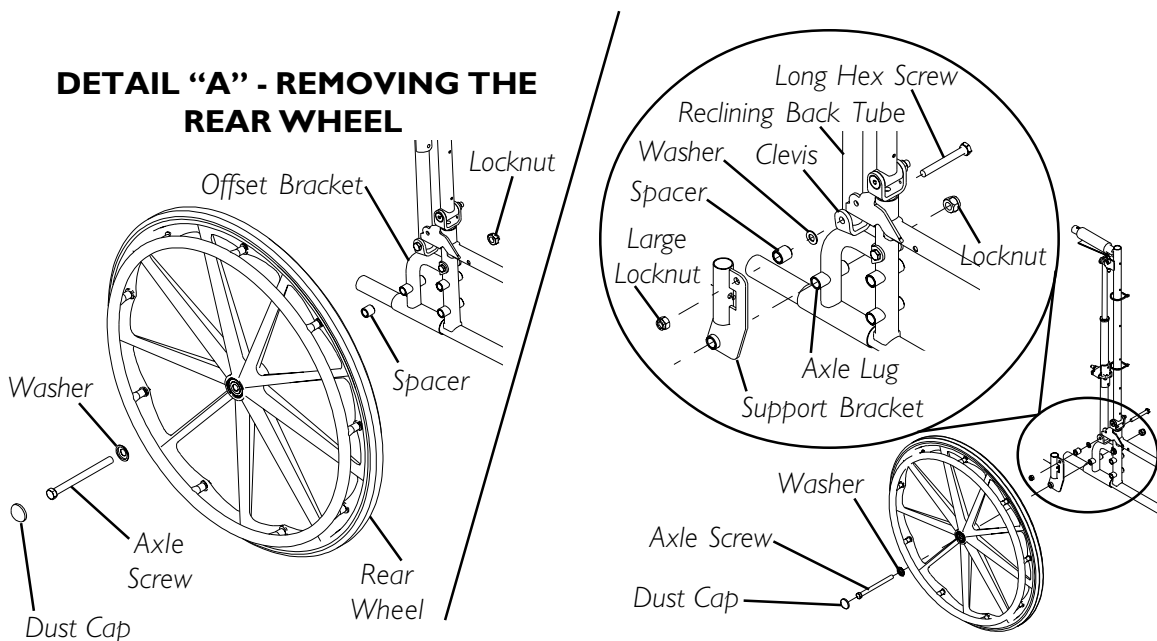
---

## INSTALLING THE SUPPORT BRACKET (FIGURE 1)

1. Determine the side of the wheelchair to which the I.V. Rod is to be mounted.
2. On the side determined in STEP 1, remove the rear wheel (DETAIL "A" of FIGURE 1) by performing the following steps:
  - A. Remove the dust cover.
  - B. Remove the locknut.
  - C. Remove the axle screw, washer, spacer and rear wheel from the offset bracket.
3. Remove the EXISTING locknut from the EXISTING hex screw securing the reclining back tube to the clevis.
4. Support the reclining back tube with one hand.
5. With the remaining hand, remove the EXISTING hex screw from the reclining back tube and clevis.

*NOTE: Retain all hardware for future use.*

6. Install the NEW long hex screw through the clevis and reclining back tube.
7. Install the washer, EXISTING spacer (removed in STEP 2C) and support bracket onto the NEW long hex screw.
8. Install the NEW large locknut onto the NEW long hex screw. Finger tighten.
9. Install the EXISTING axle screw through the EXISTING washer, rear wheel, support bracket, and axle lug.
10. Install the EXISTING locknut onto the axle screw. Finger tighten.
11. Torque the NEW large locknut securing the support bracket to the clevis to 120 in./lbs.
12. Torque the EXISTING locknut securing the rear wheel to 40 ft./lbs.



**FIGURE 1 - INSTALLING THE SUPPORT BRACKET**

---

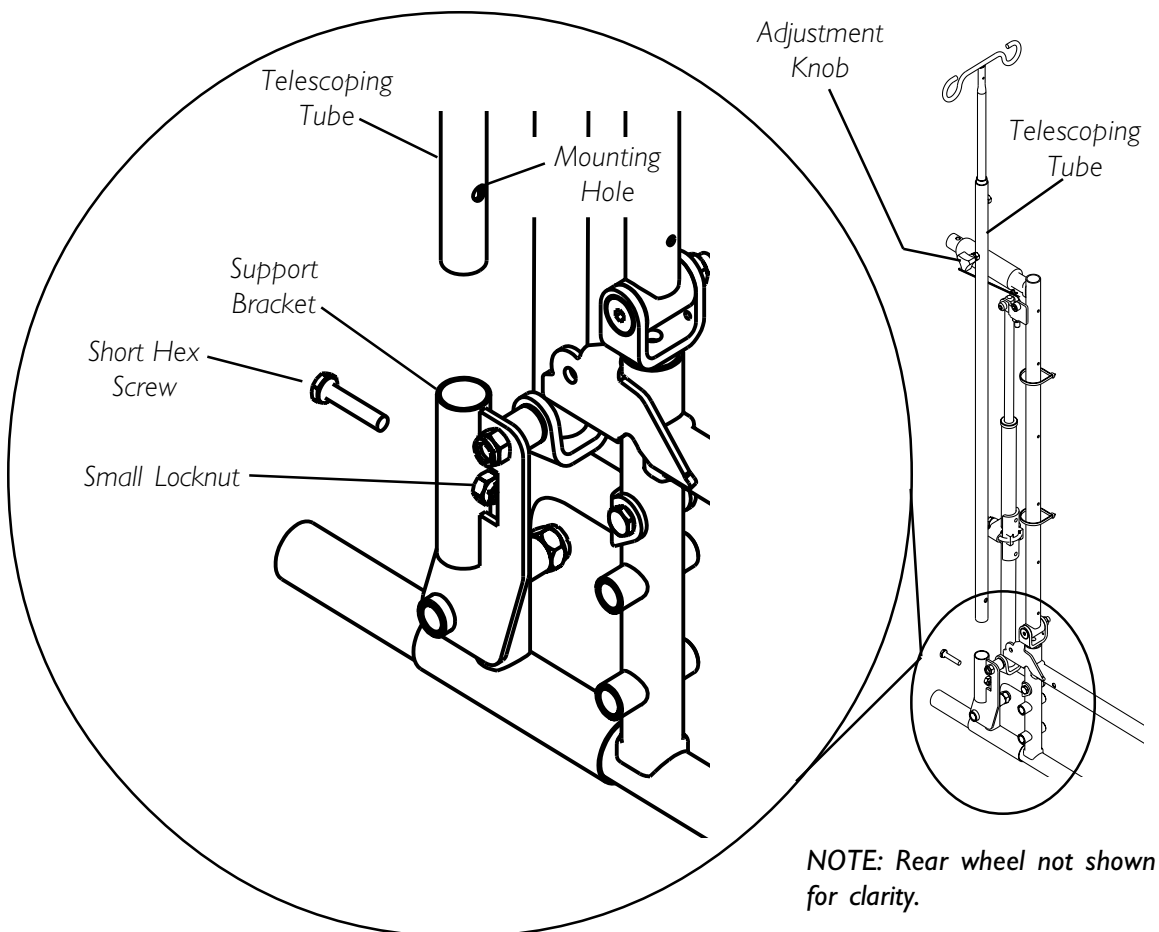
## INSTALLING THE TELESCOPING TUBE (FIGURE 2)

*NOTE: The support bracket must be mounted to the wheelchair BEFORE installing the telescoping tube.*

1. Insert the telescoping tube into the support bracket.
2. Rotate the telescoping tube until the mounting holes at the bottom align with the mounting holes in the support bracket.

*NOTE: The adjustment knob should point towards the outside of the wheelchair.*

3. Install the short hex screw and small locknut to secure the telescoping tube to the support bracket. Torque to 120 in/lbs.
4. Adjust I.V. rod to desired height. Refer to ADJUSTING THE I.V. ROD HEIGHT in this instruction sheet.



**FIGURE 2 - INSTALLING THE TELESCOPING TUBE/ADJUSTING THE I.V. ROD HEIGHT**

## ADJUSTING THE I.V. ROD HEIGHT (FIGURE 2)

1. Loosen the adjustment knob.
2. Adjust I.V. rod to desired height.
3. Securely tighten adjustment knob.



**Yes, you can.™**

**Invacare Corporation** [www.invacare.com](http://www.invacare.com)

---

**USA**  
One Invacare Way  
Elyria, Ohio USA  
44036-2125  
800-333-6900

**Canada**  
570 Matheson Blvd E Unit 8  
Mississauga Ontario  
L4Z4G4 Canada  
800-668-5324

Invacare is a registered trademark of  
Invacare Corporation.  
Yes, you can. is a trademark of Invacare  
Corporation.  
© 2002 Invacare Corporation  
Part No. 1114820 Rev A - 11/02