

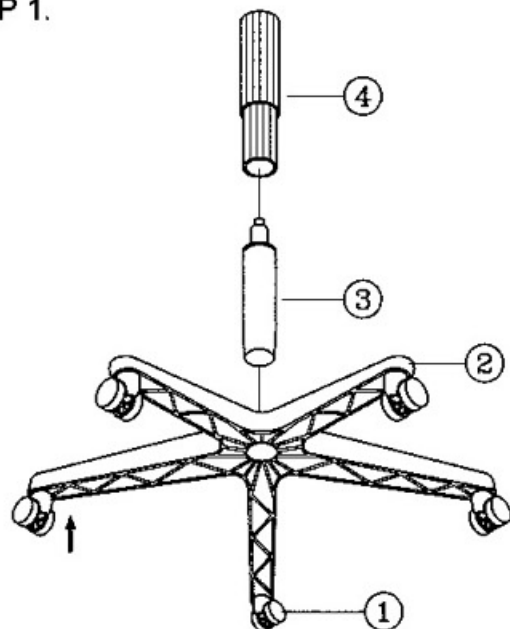


Assembly Instruction for Ergonomic Swivel Office / Task Chair "PREMO" No. CH444

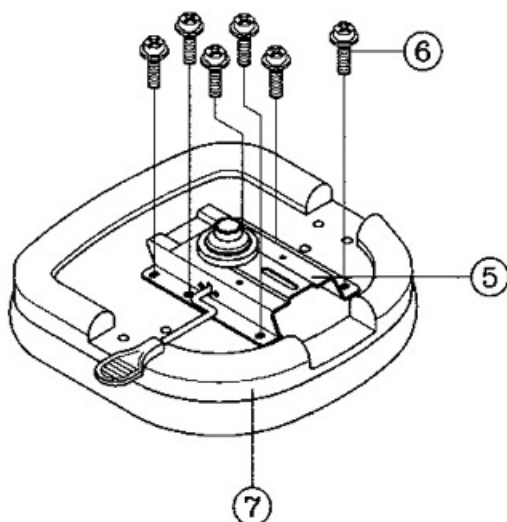
PART LIST

KEY QTY	DESCRIPTION	KEY QTY	DESCRIPTION	KEY QTY	DESCRIPTION	
1	5	Caster	7	1	Seat	
2	1	Base	8	1	Backrest	
3	1	Seat Post	9	1	Connector Bar + Bellow	
4	1	Seat Post Cover	10	1	Backrest Bellow	
5	1	Mechanism	11	1	Backrest Height Adj. Knob + Washer	
6	6	Mechanism Screw				
				12	1	Backrest Depth Adj. Knob + Washers
				13	1	Knob for Inward & Outward

STEP 1.



STEP 2.



STEP 3.

