

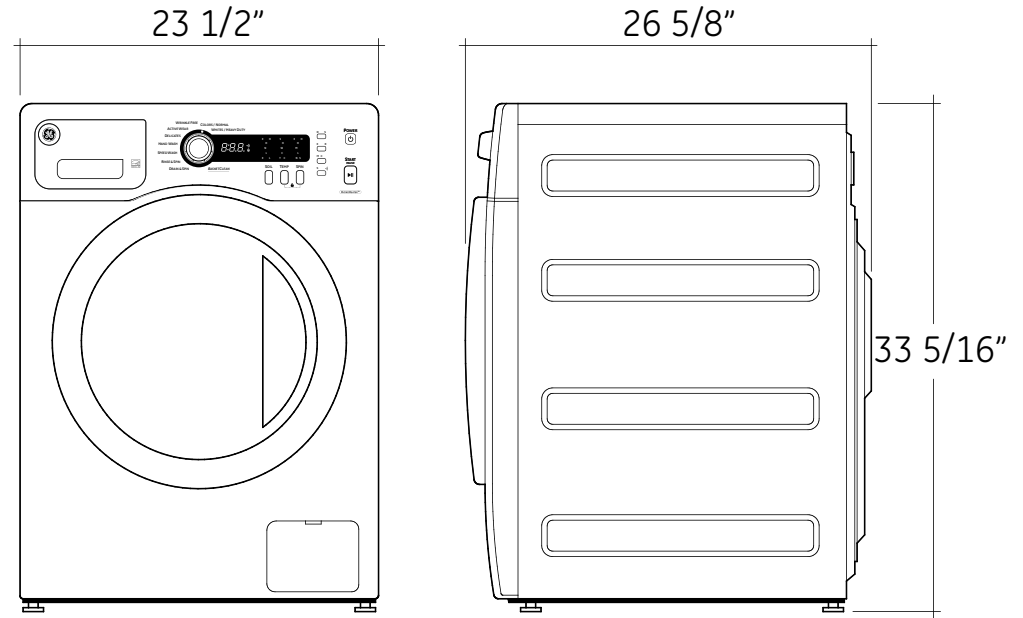
WCVH4800K/4815K

GE® 2.6 IEC Cu. Ft. Capacity Frontload Washer with Stainless Steel Basket

Dimensions and Installation Information (in inches)

Electric Dryer Rating	
120V	12.0A, 60Hz

Installation Information: For complete information, see installation instructions packed with your washer.



For answers to your Monogram®, GE Profile™ or GE® appliance questions, visit our website at ge.com or call GE Answer Center® service, 800.626.2000.



imagination at work



Listed by
Underwriters
Laboratories

WCVH4800K/4815K

GE® 2.6 IEC Cu. Ft. Capacity Frontload Washer with Stainless Steel Basket

Alcove or Closet Installation:

- If your dryer is approved for installation in an alcove or closet, it will be stated on a label on the dryer back.
- The dryer MUST be exhausted to the outside.
- Minimum clearances between dryer cabinet and adjacent walls or other surfaces are: 0" either side, 3" front and rear
- Minimum vertical space from floor to overhead cabinets, ceilings, etc. is 52".
- Closet doors must be louvered or otherwise ventilated and must contain a minimum of 60 sq. in. of open area equally distributed. If this closet contains both a washer and a dryer, doors must contain a minimum of 120 sq. in. of open area equally distributed.
- No other fuel-burning appliance shall be installed in the same closet with a gas dryer.

Bathroom or Bedroom Installation:

- The dryer MUST be exhausted to the outdoors.
- The installation must conform with the local codes, or in the absence of local codes, with the National Electric Code and National Fuel Gas Code, ANSI Z223 for gas dryers.

Minimum Clearance other than Alcove or Closet Installations:

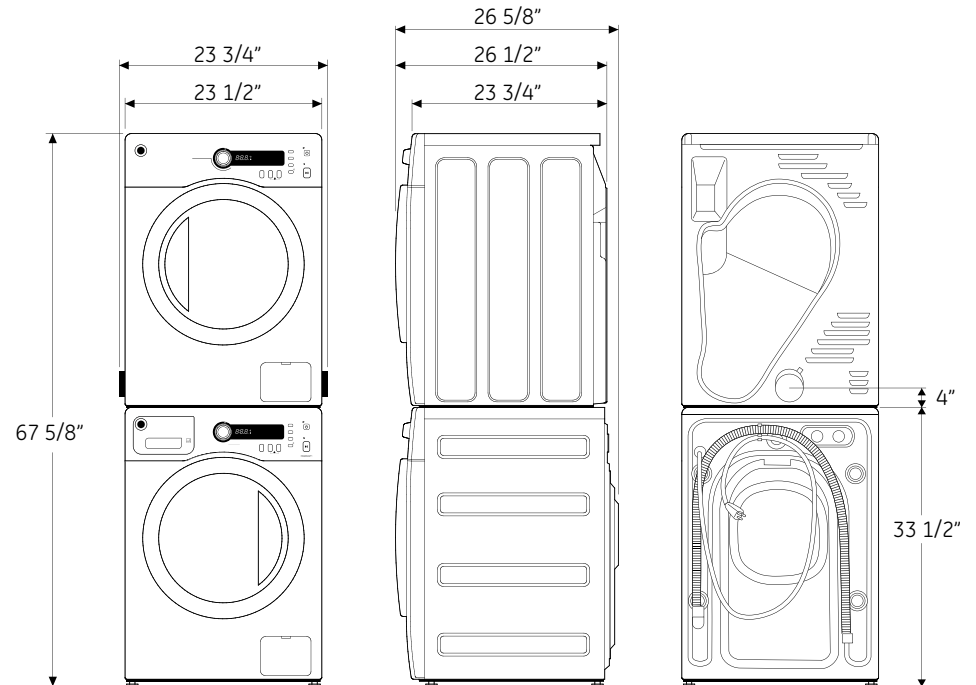
- Minimum clearances to combustible surfaces 0" both sides, 3" rear.

For more information on venting kits and accessories, please call 1-800-GE-CARES.

For answers to your Monogram®, GE Profile™ or GE® appliance questions, visit our website at ge.com or call GE Answer Center® service, 800.626.2000.



Stacked Dimensions (in inches)

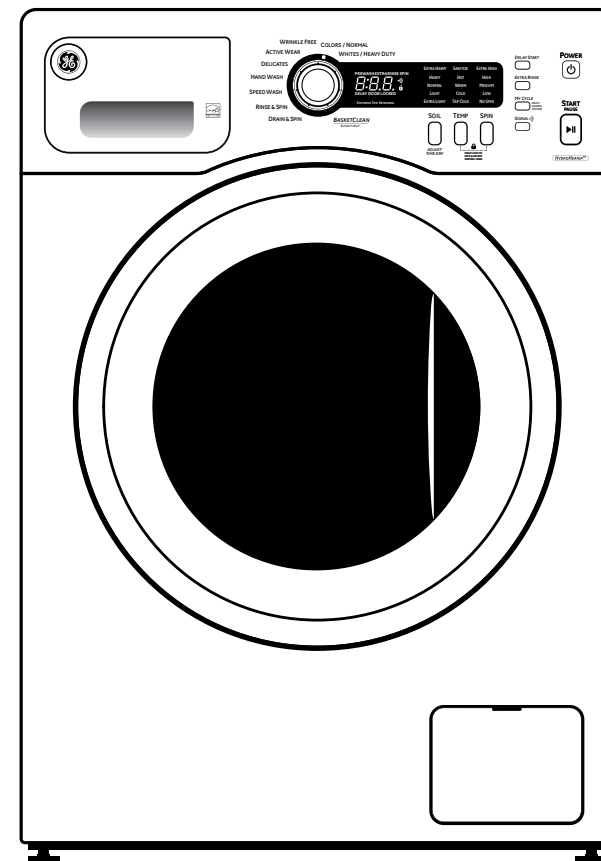


WCVH4800K/4815K

GE® 2.6 IEC Cu. Ft. Capacity Frontload Washer with Stainless Steel Basket

Features and Benefits

- ENERGY STAR® Qualified - Meets or exceeds federal guidelines for energy efficiency for year-round energy and money savings
- HydroMotion™ Wash Action - Reversing wash action offers great cleaning performance with gentle wash motion
- HydroHeater™ - Increases wash temperature to reduce bacteria and provide better cleaning for the really tough stains
- 5 Wash/Spin Speed Combinations - Washer alternates speeds for great clothes care
- Multiple Wash Cycles - Choose from various wash actions for optimal cleaning and clothes care
- 5 Wash/Rinse Temperatures with Sanitize - Multiple settings and a Sanitize wash offer a greater degree of control over fabric cleaning and care
- Automatic Water Levels - Reduce water waste per cycle by filling only enough water to match the load size
- Delay Start Up To 18 Hours - Set the washer or dryer to begin cycles anytime in the next 18 hours
- Model WCVH4800KWW - White on white
- Model WCVH4815KMS - Metallic Silver



Modified Energy Factor (MEF)	2.30
Water Factor (WF)	4.33



imagination at work

