



Washer extractors

W475N, W485N, W4105N

Features and benefits

- Frequency-controlled motor with fixed wash and extraction speeds ensures smooth action in the wash and extraction sequence
- Solid mount construction with robust frame in galvanized steel
- Extremely low water and energy consumption – see table below
- Program control:
 - Compass Control® with:**
 - Large display and one dial for easy program selection
 - Language selection
 - Two Quick Start buttons for frequently used wash programs
 - Wash program packages optimized on *Economy*, *Performance* and *Time*
- Four compartment soap box for manual dosing of powder or liquid detergent
- Large door opening for easy loading/unloading
- Stainless and galvanized steel in all vital parts for high degree of rust protection
- SuperBalance™ guarantees the correct extraction force



Images shown are a representation of the product only and variations may occur.

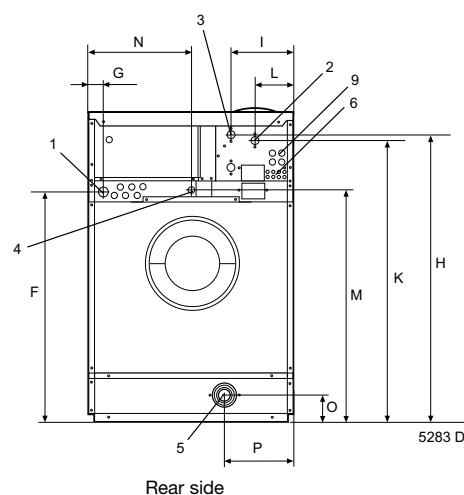
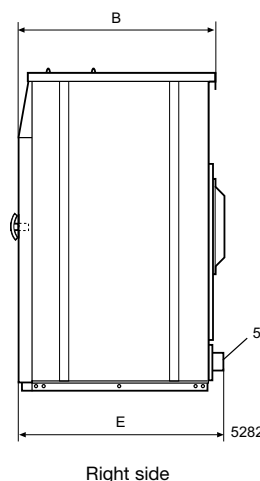
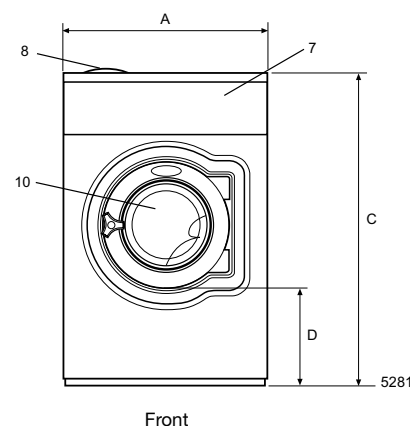
Main options

- Automatic liquid detergent supply (optional I/O board)
- Stainless steel front panel
- Stainless steel side panels (only for Farm version)
- Connection of coin meter
- Drain pump

Main specifications				W475N		W485N		W4105N	
Max. capacity		kg/lb	8/18		9/20		11/25		
Drum, volume		litre	75		85		105		
	diameter	ø mm	520		520		595		
Extraction		rpm	587		587		548		
G-factor			100		100		100		
Heating alternatives, 230/400V	electricity	kW	2 / 3 / 5.4 / 7.2 / 5.2		2 / 3 / 5.4 / 7.2 / 5.2		7.2 / 9.5 / 5.2		
	steam		x		x		x		
	non-heated		x		x		x		
Consumption data "Normal 60°C" * (3G01)				El	Steam	El	Steam	El	Steam
Total time		min	46	**	46	**	47	**	
Water consumption (cold+hot)		litre	54+14	54+14	55+15	55+15	72+20	72+20	
Energy consumption (motor/heating)		kWh	0.15/0.35	0.15	0.15/0.35	0.15	0.15/0.5	0.15	
Steam consumption		kg	–	0.5	–	0.5	–	0.7	
* Water temperature 15°C cold water and 65°C hot water									
** Depending on steam pressure									



Electrical connections*		W475N	W485N	W4105N
Heating	Voltage			
El.	230V 1AC 50 Hz	kW(A) 7.5 (35)	7.5 (35)	9.5 (35)
	230V 3AC 50 Hz	kW(A) 7.2 (25)	7.5 (25)	9.5 (35)
	240V 3AC 60 Hz	kW(A) 7.2 (25)	7.2 (25)	9.5 (35)
	240V 1AC 60 Hz	kW(A) 5.6 (25)	5.6 (25)	5.6 (25)
	400V 3N AC 50 Hz	kW(A) 7.2 (16)	7.2 (16)	9.5 (16)
Steam or non-heated	440V 3AC 60 Hz	kW(A) 7.9 (16)	7.9 (16)	10.5 (16)
	240V 1AC 60 Hz	kW(A) 1.1 (10)	1.1 (10)	1.1 (10)
	230V 1AC 50 Hz	kW(A) 1.1 (10)	1.1 (10)	1.1 (10)
	230V 3AC 50 Hz	kW(A) 1.1 (10)	1.3 (10)	1.6 (10)
	240V 3AC 60 Hz	kW(A) 1.1 (10)	1.3 (10)	1.6 (10)
Water and steam connection				
Water valves	DN	20	20	20
Water pressure	kPa	200-600	200-600	200-600
Capacity at 300 kPa	l/min	20	20	20
Drain valve	ømm	75	75	75
Draining capacity	l/min	170	170	170
Steam valve	DN	15	15	15
Steam pressure	kPa	300-600	300-600	300-600
Liquid detergent supplies		5	5	5
Floor requirements				
Frequency of the dynamic force	Hz	9.8	9.8	9.1
Floor load at max extraction	kN	1.6 ± 1.9	1.7 ± 2.2	1.9 ± 2.5
Sound levels				
Sound pressure level**	dB(A)	63	63	63
Sound power level (IEC 60704-2-4)				
wash	dB(A)	65	66	65
extraction	dB(A)	69	67	69
Heat emission				
% of installed power, max		5	5	5
Shipping data				
	net, kg	129	135	145
	crated, kg	150	156	167
Shipping volume	m ³	0.74	0.74	0.9
Accessories				
Steel base frame		x	x	x
Hose kits for water or steam		x	x	x
Fluff collector		x	x	x
Dimensions in mm				
A Width		660	660	720
B Depth		690	730	705
C Height		1115	1115	1200
D		355	355	365
E		725	765	745
F		825	825	910
G		45	45	45
H		1030	1030	1115
I		215	215	215
K		1010	1010	1095
L		130	130	130
M		830	830	910
N		385	385	420
O		100	100	100
P		225	225	235
1 Electrical connection			6 Liquid supply connections	
2 Cold water			7 Control panel	
3 Hot water			8 Soap box	
4 Steam connection			9 Connections for water re-use	
5 Drain			10 Door opening ø 310 mm (W475N,W485N), ø 365 mm (W4105N)	



Front and side panels in light grey with "Blue Wave" on front panel (RAL 260 70 05, 250 60 30)
* Other voltages available, see installation manual
** Approx. value at operators position in a mid-size laundry room