

# Washer-Extractor

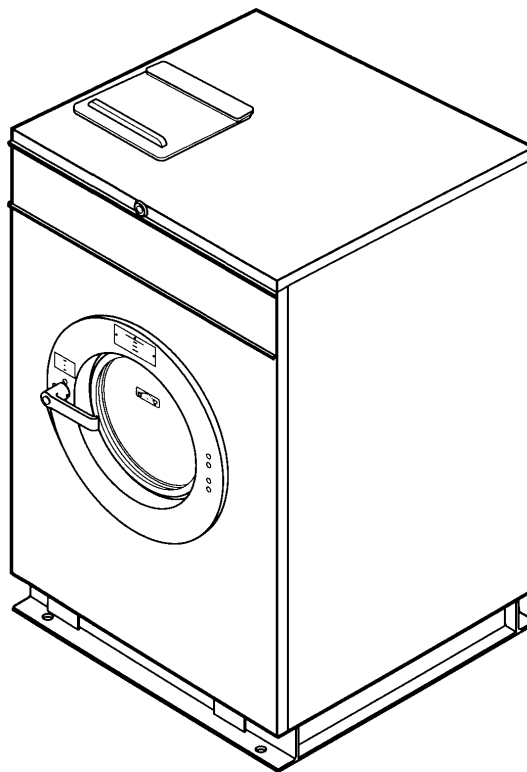
Cabinet Hardmount  
2-Speed, 3-Speed, and Variable-Speed

## Model Numbers

HC18	SC18	UC18
HC25	SC25	UC25
HC27	SiC27	UC27
HC35	SC35	UC35
HC50	SC50	UC50
HC80	SC80	UC80

(See inside for complete model number list.)

**NOTA:** El manual en español aparece después del manual en inglés.



### Model Number Chart

HC18EC2	HC35MD2	SC18MC3	SC27SN2	SC50MN3	UC18PN3	UC35VNV
HC18MC2	HC35MH2	SC18MD2	SC27VN2	SC50MV2	UC18VN2	UC50MC2
HC18MD2	HC35MN2	SC18MD3	SC27VNV	SC50MV3	UC18VNV	UC50MC3
HC18MH2	HC35MV2	SC18MH2	SC35EC2	SC50SN2	UC25MC2	UC50MD2
HC18MN2	HC35PC2	SC18MH3	SC35EP2	SC50VN2	UC25MD2	UC50MD3
HC18MV2	HC35SN2	SC18MN2	SC35MC2	SC50VNV	UC25MH2	UC50MH2
HC18PC2	HC35VC2	SC18MN3	SC35MC3	SC80ECV	UC25MN2	UC50MH3
HC18SN2	HC50EC2	SC18MV2	SC35MD2	SC80EPV	UC25MV2	UC50MN2
HC18VC2	HC50MC2	SC18MV3	SC35MD3	SC80MC3	UC25PC2	UC50MN3
HC25EC2	HC50MD2	SC18SN2	SC35MH2	SC80MD3	UC25PN2	UC50MV2
HC25MC2	HC50MH2	SC18SN3	SC35MH3	SC80MH3	UC27MN2	UC50MV3
HC25MD2	HC50MN2	SC18VN2	SC35MN2	SC80MN3	UC27PN2	UC50PC2
HC25MH2	HC50MV2	SC18VNV	SC35MN3	SC80MV3	UC27VN2	UC50PC3
HC25MN2	HC50PC2	SC25EC2	SC35MV2	SC80SN3	UC35MC2	UC50PN2
HC25MV2	HC50SN2	SC25EP2	SC35MV3	SC80VNV	UC35MC3	UC50PN3
HC25PC2	HC50VC2	SC25MC2	SC35SN2	UC18MC2	UC35MD2	UC50VN2
HC25SN2	HC80MC3	SC25MD2	SC35SN3	UC18MC3	UC35MD3	UC50VNV
HC25VC2	HC80MD3	SC25MH2	SC35VN2	UC18MD2	UC35MH2	UC80MC3
HC27EC2	HC80MH3	SC25MN2	SC35VNV	UC18MD3	UC35MH3	UC80MD3
HC27MC2	HC80MN3	SC25MV2	SC50EC2	UC18MH2	UC35MN2	UC80MH3
HC27MD2	HC80MV3	SC25SN2	SC50EP2	UC18MH3	UC35MN3	UC80MN3
HC27MH2	HC80PC3	SC27EC2	SC50MC2	UC18MN2	UC35MV2	UC80MV3
HC27MN2	HC80SN3	SC27EP2	SC50MC3	UC18MN3	UC35MV3	UC80PC3
HC27MV2	HC80VCV	SC27MC2	SC50MD2	UC18MV2	UC35PC2	UC80PN3
HC27SN2	HC80VNV	SC27MD2	SC50MD3	UC18MV3	UC35PC3	UC80VNV
HC27VC2	SC18EC2	SC27MH2	SC50MH2	UC18PC2	UC35PN2	
HC35EC2	SC18EP2	SC27MN2	SC50MH3	UC18PC3	UC35PN3	
HC35MC2	SC18MC2	SC27MV2	SC50MN2	UC18PN2	UC35VN2	

---

## Table of Contents

# Installation/Maintenance

---

### Safety

Key to Symbols .....	4
Safety Decal Location .....	5
Operator Safety .....	6
Safe Operating Environment .....	7
Environmental Conditions .....	7
Machine Location .....	8
Input and Output Services .....	8
AC Inverter Drive .....	9
Misuse .....	9

### Installation

Machine Overview .....	11
Delivery Inspection .....	12
Customer Service .....	12
Model Number Familiarization Guide .....	13
General Specifications .....	14
Machine Dimensions .....	20
Dimensional Clearances .....	27
Machine Foundation .....	29
Mechanical Installation .....	31
Expansion Bolt Installation .....	31
Elevated Base Frame Installation .....	33
J-Bolt Installation .....	35
Concrete Foundation Pad .....	39

Drain Connection .....	42
Water Connection .....	44
Electrical Installation .....	45
Steam Requirements (Steam Heat Option Only) .....	52
Chemical Injection Supply System .....	53
Control Function Test .....	57

### Maintenance

Daily .....	59
Beginning Of Day .....	59
End Of Day .....	60
Weekly .....	60
Monthly .....	60
Quarterly .....	64
Care Of Stainless Steel .....	65
Maintenance Checklists .....	66

### Removal from Service

Decommissioning .....	71
-----------------------	----

© Copyright 1999 Alliance Laundry Systems LLC

All rights reserved. No part of the contents of this book may be reproduced or transmitted in any form or by any means without the expressed written consent of the publisher.

---


## Section 1


# Safety


---


Anyone operating or servicing this machine must follow the safety rules in this manual. Particular attention must be paid to the **DANGER**, **WARNING**, and **CAUTION** blocks which appear throughout the manual.

The following warnings are general examples that apply to this machine. Warnings specific to a particular installation or maintenance procedure will appear in the manual with the discussion of that procedure.


	<b>CAUTION</b>
Be careful around the open door, particularly when loading from a level below the door. Impact with door edges can cause personal injury.	
SW025	


	<b>DANGER</b>
Death or serious injury can result if children become trapped in the machine. Do not allow children to play on or around this machine. Do not leave children unattended while the machine door is open.	
SW001	

	<b>WARNING</b>
Dangerous voltages are present in the electrical control box(es) and at the motor terminals. Only qualified personnel familiar with electrical test procedures, test equipment, and safety precautions should attempt adjustments and troubleshooting. Disconnect power from the machine before removing the control box cover, and before attempting any service procedures.	
SW005	

	<b>WARNING</b>
This machine must be installed, adjusted, and serviced by qualified electrical maintenance personnel familiar with the construction and operation of this type of machinery. They must also be familiar with the potential hazards involved. Failure to observe this warning may result in personal injury and/or equipment damage, and may void the warranty.	
SW004	

# Safety

	<b>CAUTION</b>
Ensure that the machine is installed on a level floor of sufficient strength and that the recommended clearances for inspection and maintenance are provided. Never allow the inspection and maintenance space to be blocked.	
SW020	

	<b>WARNING</b>
Never touch internal or external steam pipes, connections, or components. These surfaces can be extremely hot and will cause severe burns. The steam must be turned off and the pipe, connections, and components allowed to cool before the pipe can be touched.	
SW014	

---

## Key To Symbols



The lightning flash and arrowhead within the triangle is a warning sign indicating the presence of dangerous voltage.



This warning symbol indicates the presence of possibly dangerous chemicals. Proper precautions should be taken when handling corrosive or caustic materials.



The exclamation point within the triangle is a warning sign indicating important instructions concerning the machine and possibly dangerous conditions.



This warning symbol indicates the presence of hot surfaces that could cause serious burns. Stainless steel and steam lines can become extremely hot and should not be touched.



This warning symbol indicates the presence of potentially dangerous drive mechanisms within the machine. Guards should always be in place when the machine is in operation.



This warning symbol indicates the presence of possibly dangerous pinch-points. Moving mechanical parts can crush and/or sever body parts.

# Safety

Safety decals appear at crucial locations on the machine. Failure to maintain legible safety

decals could result in injury to the operator or service technician.

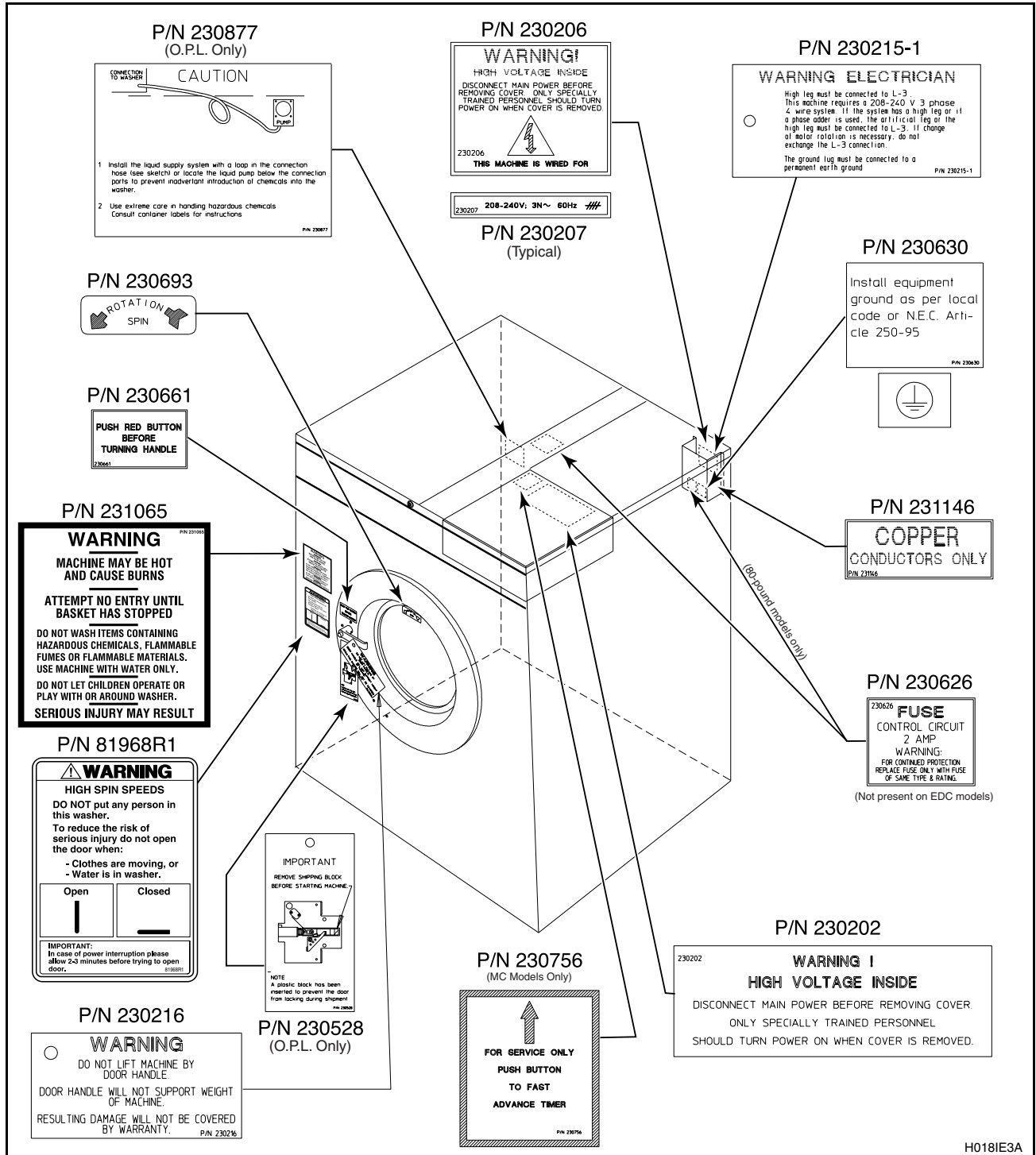



Figure 1

# Safety

To provide personal safety and keep the machine in proper working order, follow all maintenance and safety procedures presented in this manual. If questions regarding safety arise, contact the factory immediately.

Use factory-authorized spare parts to avoid safety hazards.

## Operator Safety

	<b>WARNING</b>
NEVER insert hands or objects into basket until it has completely stopped. Doing so could result in serious injury.	
SW012	


To ensure the safety of machine operators, the following maintenance checks must be performed daily:

1. Prior to operating the machine, verify that all warning signs are present and legible. Missing or illegible signs must be replaced immediately. Make certain that spares are available.
2. Check door interlock before starting operation of the machine:
  - a. Attempt to start the machine with the door open. The machine should not start with the door open.
  - b. Close the door without locking it and attempt to start the machine. The machine should not start with the door unlocked.
  - c. Close and lock the door and start a cycle. Attempt to open the door while the cycle is in progress. The door should not open.

If the door lock and interlock are not functioning properly, call a service technician.

3. Do not attempt to operate the machine if any of the following conditions are present:
  - a. The door does not remain securely locked during the entire cycle.
  - b. Excessively high water level is evident.
  - c. Machine is not connected to a properly grounded circuit.

Do not bypass any safety devices in the machine.

	<b>WARNING</b>
Never operate the machine with a bypassed or disconnected balance system. Operating the machine with severe out-of-balance loads could result in personal injury and serious equipment damage.	
SW039	



# Safety

## Safe Operating Environment

Safe operation requires an appropriate operating environment for both the operator and the machine. If questions regarding safety arise, contact the factory immediately.

### Environmental Conditions

- **Ambient Temperature.** Water in the machine will freeze at temperatures of 32°F (0°C) or below.

Temperatures above 120°F (50°C) will result in more frequent motor overheating and, in some cases, malfunction or premature damage to solid state devices that are used in some models. Special cooling devices may be necessary.

Water pressure switches are affected by increases and decreases in temperature. Every 25°F (10°C) change in temperature will have a 1% effect on the water level.


- **Humidity.** Relative humidity above 90% may cause the machine's electronics or motors to malfunction or may trip the ground fault interrupter. Corrosion problems may occur on some metal components in the machine.

If the relative humidity is below 30%, belts and rubber hoses may eventually develop dry rot. This condition can result in hose leaks, which may cause safety hazards external to the machine in conjunction with adjacent electrical equipment.

- **Ventilation.** The need for make-up air openings for such laundry room accessories as dryers, ironers, water heaters, etc., must be evaluated

periodically. Louvers, screens, or other separating devices may reduce the available air opening significantly.

- **Radio Frequency Emissions.** A filter is available for machines in installations where floor space is shared with equipment sensitive to radio frequency emissions.
- **Elevation.** If the machine is to be operated at elevations of over 3,280 feet (1,000 meters) above sea level, pay special attention to water levels and electronic settings (particularly temperature) or desired results may not be achieved.
- **Chemicals.** Keep stainless steel surfaces free of chemical residues.

	<b>DANGER</b>
Do not place volatile or flammable fluids in any machine. Do not clean the machine with volatile or flammable fluids such as acetone, lacquer thinners, enamel reducers, carbon tetrachloride, gasoline, benzene, naphtha, etc. Doing so could result in serious personal injury and/or damage to the machine.	
SW002	

- **Water Damage.** Do not spray the machine with water. Short circuiting and serious damage may result. Repair immediately all seepage due to worn or damaged gaskets, etc.

# Safety


## Safe Operating Environment (Continued)

### Machine Location

- **Foundation.** The concrete floor must be of sufficient strength and thickness to handle the floor loads generated by the high extract speeds of the machine.
- **Service/Maintenance Space.** Provide sufficient space to allow comfortable performance of service procedures and routine preventive maintenance.

This is especially important in connection with machines equipped with an AC inverter drive.

Consult installation instructions for specific details.

	<b>CAUTION</b>
Replace all panels that are removed to perform service and maintenance procedures. Do not operate the machine with missing guards or with broken or missing parts. Do not bypass any safety devices.	
SW019	

### Input and Output Services


- **Water Pressure.** Best performance will be realized if water is provided at a pressure of 30 – 85 psi (2.0 – 5.7 bar). Although the machine will function properly at lower pressure, increased fill times will occur. Water pressure higher than 100 psi (6.7 bar) may result in damage to machine plumbing. Component failure(s) and personal injury could result.

- **Steam Heat (Optional) Pressure.** Best performance will be realized if steam is provided at a pressure of 30 – 80 psi (2.0 – 5.4 bar). Steam pressure higher than 125 psi (8.5 bar) may result in damage to steam components and may cause personal injury.

For machines equipped with optional steam heat, install piping in accordance with approved commercial steam practices. Failure to install the supplied steam filter may void the warranty.

- **Compressed Air.** For machines requiring compressed air service, best performance will be realized if air is provided at a pressure of 80 – 100 psi (5.4 – 6.7 bar).
- **Drainage System.** Provide drain lines or troughs large enough to accommodate the total number of gallons that could be dumped if all machines on the site drained at the same time from the highest attainable level. If troughs are used, they should be covered to support light foot traffic.
- **Power.** For personal safety and for proper operation, the machine must be grounded in accordance with state and local codes. The ground connection must be to a proven earth ground, not to conduit or water pipes. Do not use fuses in place of the circuit breaker. An easy-access cutoff switch should also be provided.

# Safety

	<b>WARNING</b>
<p>Ensure that a ground wire from a proven earth ground is connected to the ground lug near the input power block on this machine. Without proper grounding, personal injury from electric shock could occur and machine malfunctions may be evident.</p>	
<small>SW008</small>	

Always disconnect power and water supplies before a service technician performs any service procedure. Where applicable, steam and/or compressed air supplies should also be disconnected before service is performed.

## AC Inverter Drive

Machines equipped with the AC inverter drive require special attention with regard to the operating environment.

- An especially dusty or linty environment will require more frequent cleaning of the AC inverter drive cooling fan filter and of the AC inverter drive itself.
- Power line fluctuations from sources such as uninterruptible power supplies (UPS) can adversely affect machines equipped with the AC inverter drive. Proper suppression devices should be utilized on the incoming power to the machine to avoid problems.
- A clean power supply free from voltage spikes and surges is absolutely essential for machines equipped with the AC inverter drive. Nonlinear inconsistencies (peaks and valleys) in the power supply can cause the AC inverter drive to generate nuisance errors.

If voltage is above 230V for 200V

installations or above 440V for 400V installations, a buckboost transformer is recommended. If voltage is above 240 or 480, a buckboost transformer is required.

- Sufficient space to perform service procedures and routine preventive maintenance is especially important for machines equipped with the AC inverter drive.

## Misuse

Never use this machine for any purpose other than washing fabric.

- Never wash petroleum-soaked rags in the machine. This could result in an explosion.
- Never wash machine parts or automotive parts in the machine. This could result in serious damage to the basket.
- Never allow children to play on or around this machine. Death or serious injury can result if children become trapped in the machine. Do not leave children unattended while the machine door is open. These cautions apply to animals as well.



---

## Section 2

# Installation

---

This manual is designed as a guide to the installation and maintenance of the 18-pound, 25-pound, 27-pound, 35-pound, 50-pound, and 80-pound capacity cabinet hardmount washer-extractors.

### Machine Overview

The design of the machine emphasizes performance reliability and long service life.

In washer-extractor sizes up through the 50-pound capacity models, the cylinder is supported with two sealed bearings mounted in a machined cast iron trunnion. On 80-pound capacity models, the cylinder and shaft assembly is supported by two flange roller bearing assemblies. Bearing housings are bolted to a heavy gamma frame.

The 2-speed machines use one dual-speed motor to drive the cylinder via a V-belt drive in wash speed and extract speed.

The 3-speed 18-pound capacity models use one triple-speed motor to drive the cylinder at wash speed, medium extract speed, and high extract speed. The 3-speed 35-pound, 50-pound, and 80-pound capacity models use one single-speed and one dual-speed motor to drive the cylinder at wash speed, medium extract speed, and high extract speed.

AC drive-controlled washer-extractors use one motor to drive the cylinder. In all capacities except the 80-pound, the motor is driven via a

flat belt drive. The 80-pound capacity machine uses a 3V belt drive.

A door-lock system prevents opening of the stainless steel door when a cycle is in progress. It also prevents operation of the machine when the door is open.

An electrically operated drain valve is used to retain the water and wash solution in the machine during the wash and rinse steps. The drain valve closes when power is applied and opens when power is removed, allowing the machine to drain in the event of a power failure.

The cylinder is designed with lifters or ribs that lift the garments from the wash solution when the cylinder rotates at slow speed and allow the garments to tumble back into the solution. The cylinder is perforated, allowing the water to pass through and drain from within during the wash process and extract.

Electrical controls for the machine are housed in a separate enclosure located underneath the top cover of the machine.

# Installation

## Machine Overview (Continued)

The polypropylene supply dispenser is located under a flexible cover on the left side of the machine, viewed from the front. The compartments are numbered 1 – 3, starting from the left side of the machine. A nozzle flushes dry supplies from the compartment with water at the appropriate time in the cycle.

Liquid supplies can be injected directly into the dispenser compartments by a customer-supplied external chemical supply system. Hose barbs on the rear of the machine facilitate connection to an external chemical supply system. A terminal strip in the input power junction box provides control signals.

## Delivery Inspection

Upon delivery, visually inspect crate, protective cover, and unit for any visible shipping damage. If the crate, protective cover, or unit are damaged or signs of possible damage are evident, have the carrier note the condition on the shipping papers before the shipping receipt is signed, or advise the carrier of the condition as soon as it is discovered.

Remove the crate and protective cover as soon after delivery as possible. If any damage is discovered upon removal of the crate and/or protective cover, advise the carrier and file a written claim immediately.

## Customer Service

If literature or replacement parts are required, contact the source from whom the machine was purchased or contact Alliance Laundry Systems LLC at (920) 748-3950 for the name and address of the nearest authorized parts distributor.

For technical assistance, call any of the following numbers:

(850) 718-1035

(850) 718-1026

Marianna, Florida

(920) 748-3121

Ripon, Wisconsin

A record of each machine, including the serial number, is on file with the manufacturer. The serial number decal is located at the rear of the machine. See Figure 2. Always provide the machine's serial number and model number when ordering parts or when seeking technical assistance.

# Installation

Model Number Familiarization Guide		
Sample Model Number: <b>SC35MN2CU20001</b>		
<b>SC</b>	Machine Type	C = Cabinet
<b>35</b>	Machine Capacity (pounds dry weight)	
<b>M</b> <b>(E)</b> <b>(P)</b> <b>(S)</b> <b>(V)</b>	Type of Electrical Control	M = Mechanical Timer E = WX/EDC Microcomputer P = P-Series Microcomputer† S = S-Series Microcomputer V = V-Series Microcomputer
<b>N</b> <b>(C)</b> <b>(D)</b> <b>(H)</b> <b>(V)</b>	Coin Meter Option	N = No Coin Meter C = W2000 (Computer-controlled models only)‡ D = Digital (Mechanical Timer models only) H = Horizontal Slide (Mechanical Timer models only) V = Vertical Drop (Mechanical Timer models only)
<b>2</b> <b>(3)</b> <b>(V)</b>	Speed	2 = 2-Speed 3 = 3-Speed V = Variable-Speed
<b>C</b>	Electrical Characteristics	See Voltage Designation Chart in this section.
<b>U2</b>	Design Series	
<b>0001</b>	Option Identification (varies from machine to machine)	
†Models designated "PN" use the S-Series Microcomputer. ‡Models designated "MC" are prepared for use with an aftermarket coin meter.		

Model No. <b>SC35MN2CU20001</b>		
Serial No. <b>00000000000</b>		
Voltage <b>380 – 415</b>	Amps <b>5</b>	
Required Circuit Breaker Amps <b>15</b>		
Hz <b>50</b>	Wire <b>4</b>	Phase <b>3</b>
Max. Load <b>35</b> LB	<b>16</b> KG	Max. Speed <b>470</b> RPM
Elec. Heating	KW	Steam Press. PSI BAR
<div style="border: 1px solid black; padding: 5px; width: fit-content; margin: 0 auto;">           ETL LISTED            CONFORMS TO            ANS/UL STD. 1555            ANS/UL STD. 1202              ETL TESTING LABORATORIES INC.            CORTLAND, NEW YORK 13045         </div>		
Product No. <b>500000</b>	Date Code	

H0431

Figure 2

# Installation

<b>Cabinet Hardmount General Specifications 2-Speed Models</b>					
<b>Specification</b>	<b>18</b>	<b>25</b>	<b>27</b>	<b>35</b>	<b>50</b>
<i>Overall Dimensions</i>					
Overall width, in (mm)	26 (660)	26 (660)	29 (737)	30-1/8 (765)	34-1/16 (865)
Overall height, in (mm)	42 (1067)	45 (1143)	45 (1143)	47-1/4 (1200)	49-3/4 (1265)
Overall depth, in (mm)	29-11/16 (754)	33-11/16 (856)	34-13/16 (884)	38-1/2 (978)	42 (1067)
<i>Weight and Shipping Information</i>					
Net weight, lb (kg)	390 (177)	435 (198)	495 (225)	650 (295)	820 (373)
Domestic shipping weight, lb (kg)	430 (194)	475 (214)	555 (250)	710 (320)	970 (437)
Domestic shipping volume, ft <sup>3</sup> (m <sup>3</sup> )	23.9 (0.669)	28.9 (0.809)	30.1 (0.852)	39.0 (1.09)	49.8 (1.39)
Export shipping weight, lb (kg)	480 (218)	525 (236)	605 (272)	760 (345)	1020 (464)
Export shipping volume, ft <sup>3</sup> (m <sup>3</sup> )	47.1 (1.32)	35.9 (1.01)	37.7 (1.07)	47.1 (1.32)	68.6 (1.92)
<i>Wash Cylinder Information</i>					
Cylinder diameter, in (mm)	21 (533)	21 (533)	24 (610)	26-1/4 (667)	30 (762)
Cylinder depth, in (mm)	13-3/4 (349)	18-3/4 (457)	16 (406)	18-3/8 (467)	20 (508)
Cylinder volume, ft <sup>3</sup> (l)	2.76 (78.1)	3.76 (106)	4.19 (117.9)	5.76 (163.1)	8.18 (232)
Perforation size, in (mm)	0.188 (4.76)	0.188 (4.76)	0.188 (4.76)	0.188 (4.76)	0.188 (4.76)
Perforation open area, %	17	17	23	17	18
<i>Door Opening Information</i>					
Door opening size, in (mm)	12 (305)	12 (305)	14-11/32 (364)	13-15/16 (354)	16-1/4 (413)
Ht. door bottom above floor, in (mm)	17-1/4 (438)	17-1/4 (438)	17 (432)	19 (480)	18-1/4 (465)
<i>Power Consumption</i>					
Avg. power used per cycle, kW/hr	0.20	0.25	0.25	0.30	0.42
Nominal sound emission, dBA	60	63	63	64	66
Background noise level, dBA	48	51	51	49	49
Average HVAC load, Btu/hr	425	400	400 est.	510	700



# Installation

<b>Cabinet Hardmount General Specifications 2-Speed Models (Continued)</b>						
<b>Specification</b>	<b>18</b>	<b>25</b>	<b>27</b>	<b>35</b>	<b>50</b>	
<i>Drive Train Information</i>						
Number of motors in drive train	1	1	1	1	1	
Wash/reverse power, hp (kW)	0.18 (0.13)	0.25 (0.19)	0.25 (0.19)	0.40 (0.30)	0.55 (0.41)	
High extract power, hp (kW)	1.0 (0.746)	1.4 (1.04)	1.4 (1.04)	1.8 (1.3)	2.7 (2.01)	
<i>Cylinder Speeds</i>						
Wash/reverse speed, rpm	53	55	47	47	44	
High extract speed, rpm	525	540	480	470	450	
<i>Centrifugal Force Data</i>						
Wash/reverse centrifugal force, Gs	0.85	0.90	0.75	0.82	0.825	
High extract centrifugal force, Gs	82.1	86.9	80	82.3	86.3	
<i>Balance Detection</i>						
Vibration safety switch installed	N/A	N/A	N/A	N/A	N/A	
<i>Direct Steam Heating (Optional)</i>						
Steam inlet connection size, in (mm)	1/2 (13)	1/2 (13)	1/2 (13)	1/2 (13)	1/2 (13)	
Number of steam inlets	1	1	1	1	1	
Steam req. to raise bath temperature 10°F, lb (10°C, kg)	LOW	1.1 (0.50)	1.4 (0.64)	1.5 (0.68)	2.1 (0.95)	2.8 (1.3)
	HIGH	1.2 (0.54)	1.6 (0.73)	1.7 (0.77)	2.8 (1.3)	3.7 (1.7)
Average steam use per cycle, BHP	0.66	0.87	0.94	1.4	1.9	
<i>Electrical Heating (Optional)</i>						
Total electrical heating capacity, kW	7.8	7.8	7.8	15.6	23.4	
Electrical heating elements	3	3	3	6	9	
Electrical heat element size, kW	2.6	2.6	2.6	2.6	2.6	

# Installation

<b>Cabinet Hardmount General Specifications 3-Speed Models</b>				
<b>Specification</b>	<b>18</b>	<b>35</b>	<b>50</b>	<b>80</b>
<i>Overall Dimensions</i>				
Overall width, in (mm)	26 (660)	30-1/8 (765)	34-1/16 (865)	41-1/2 (1054)
Overall height, in (mm)	42 (1067)	47-1/4 (1200)	49-3/4 (1265)	56 (1422)
Overall depth, in (mm)	29-11/16 (754)	38-1/2 (978)	42 (1067)	51-5/8 (1311)
<i>Weight and Shipping Information</i>				
Net weight, lb (kg)	400 (182)	675 (307)	950 (432)	1600 (727)
Domestic shipping weight, lb (kg)	430 (195)	780 (355)	990 (450)	1650 (743)
Domestic shipping volume, ft <sup>3</sup> (m <sup>3</sup> )	23.9 (0.669)	39.0 (1.09)	49.8 (1.39)	78.1 (2.19)
Export shipping weight, lb (kg)	490 (223)	785 (357)	1150 (523)	1700 (765)
Export shipping volume, ft <sup>3</sup> (m <sup>3</sup> )	47.1 (1.32)	47.1 (1.32)	68.6 (1.92)	---
<i>Wash Cylinder Information</i>				
Cylinder diameter, in (mm)	21 (533)	26-1/4 (667)	30 (762)	36 (914)
Cylinder depth, in (mm)	13-3/4 (349)	18-3/8 (467)	20 (508)	22 (559)
Cylinder volume, ft <sup>3</sup> (l)	2.76 (78.1)	5.76 (163.1)	8.18 (232)	12.4 (354)
Perforation size, in (mm)	0.188 (4.76)	0.188 (4.76)	0.188 (4.76)	0.188 (4.76)
Perforation open area, %	17	17	18	---
<i>Door Opening Information</i>				
Door opening size, in (mm)	12 (305)	13-15/16 (354)	16-1/4 (413)	18-1/2 (470)
Ht. door bottom above floor, in (mm)	17-1/4 (438)	19 (480)	18-1/4 (465)	21-1/2 (546)
<i>Power Consumption</i>				
Avg. power used per cycle, kW/hr	0.18 est	0.28 est	0.38 est	0.55 est.
Nominal sound emission, dBA	61	65	67	60 / 69
Background noise level, dBA	48	49	49	47
Average HVAC load, Btu/hr	440	525	725	900

# Installation

<b>Cabinet Hardmount General Specifications 3-Speed Models (Continued)</b>					
<b>Specification</b>	<b>18</b>	<b>35</b>	<b>50</b>	<b>80</b>	
<i>Drive Train Information</i>					
Number of motors in drive train	1	2	2	2	
Wash/reverse power, hp (kW)	0.18 (0.13)	0.40 (0.30)	0.90 (0.67)	1.0 (0.75)	
Medium extract power, hp (kW)	1.2 (0.895)	0.45 (0.34)	1.0 (0.75)	1.2 (0.89)	
High extract power, hp (kW)	1.5 (1.12)	3.0 (2.2)	3.5 (2.6)	4.5 (3.36)	
<i>Cylinder Speeds</i>					
Wash/reverse speed, rpm	46	47	44	40	
Medium extract speed, rpm	330	75	60	64	
High extract speed, rpm	661	591	561	530	
<i>Centrifugal Force Data</i>					
Wash/reverse centrifugal force, Gs	0.65	0.82	0.825	0.82	
Medium extract centrifugal force, Gs	32.5	2.10	1.53	2.1	
High extract centrifugal force, Gs	130	130	134	143	
<i>Balance Detection</i>					
Vibration safety switch installed	N/A	Standard	Standard	Standard	
<i>Direct Steam Heating (Optional)</i>					
Steam inlet connection size, in (mm)	1/2 (13)	1/2 (13)	1/2 (13)	1/2 (13)	
Number of steam inlets	1	1	1	1	
Steam req. to raise bath temperature 10°F, lb (10°C, kg)	LOW	1.1 (0.5)	2.1 (0.95)	2.8 (1.3)	4.4 (2.0)
	HIGH	1.2 (0.54)	2.8 (1.3)	3.7 (1.7)	6.3 (2.9)
Average steam use per cycle, BHP	0.66	1.4	1.9	3.1	
<i>Electrical Heating (Optional)</i>					
Total electrical heating capacity, kW	7.8	15.6	23.4	31.2	
Electrical heating elements	3	6	9	12	
Electrical heat element size, kW	2.6	2.6	2.6	2.6	

# Installation

<b>Cabinet Hardmount General Specifications Variable-Speed Models</b>					
<b>Specification</b>	<b>18</b>	<b>27</b>	<b>35</b>	<b>50</b>	<b>80</b>
<i>Overall Dimensions</i>					
Overall width, in (mm)	26 (660)	29 (737)	30-1/8 (765)	34-1/16 (865)	41-1/2 (1054)
Overall height, in (mm)	42 (1067)	45 (1143)	47-1/4 (1200)	49-3/4 (1265)	56 (1422)
Overall depth, in (mm)	29-11/16 (754)	34-13/16 (884)	38-1/2 (978)	42 (1067)	51-5/8 (1311)
<i>Weight and Shipping Information</i>					
Net weight, lb (kg)	404 (182)	520 (234)	640 (288)	788 (355)	1406 (633)
Domestic shipping weight, lb (kg)	424 (191)	545 (245)	670 (301)	818 (371)	1456 (655)
Domestic shipping volume, ft <sup>3</sup> (m <sup>3</sup> )	23.9 (0.669)	30.1 (0.852)	39.0 (1.09)	49.8 (1.39)	96.18 (2.69)
Export shipping weight, lb (kg)	494 (222)	610 (275)	750 (338)	988 (448)	1506 (678)
Export shipping volume, ft <sup>3</sup> (m <sup>3</sup> )	47.1 (1.32)	37.7 (1.07)	47.1 (1.32)	68.6 (1.92)	109.4 (3.1)
<i>Wash Cylinder Information</i>					
Cylinder diameter, in (mm)	21 (533)	24 (610)	26-1/4 (667)	30 (762)	36 (914)
Cylinder depth, in (mm)	13-3/4 (349)	16 (406)	18-3/8 (467)	20 (508)	22 (559)
Cylinder volume, ft <sup>3</sup> (l)	2.76 (78.1)	4.19 (117.9)	5.76 (163.1)	8.18 (232)	12.4 (354)
Perforation size, in (mm)	0.188 (4.76)	0.188 (4.76)	0.188 (4.76)	0.188 (4.76)	0.188 (4.76)
Perforation open area, %	17	23	17	18	27
<i>Door Opening Information</i>					
Door opening size, in (mm)	12 (305)	14-11/32 (364)	13-15/16 (354)	16-1/4 (413)	18-1/2 (470)
Ht. door bottom above floor, in (mm)	17-1/4 (438)	17 (432)	19 (480)	18-1/4 (465)	21-1/2 (546)
<i>Power Consumption</i>					
Avg. power used per cycle, kW/hr	0.11	0.14	0.20	0.37	
Nominal sound emission, dBA	N/A	N/A	N/A	N/A	N/A
Background noise level, dBA	N/A	N/A	N/A	N/A	N/A
Average HVAC load, Btu/hr	425	425	510	510	900
<i>Drive Train Information</i>					
Number of motors in drive train	1	1	1	1	1
Drive motor power, hp (kW)	1 (0.75)	1 (0.75)	2 (1.5)	2 (1.5)	5 (3.7)

# Installation

<b>Cabinet Hardmount General Specifications Variable-Speed Models (Continued)</b>						
<b>Specification</b>	<b>18</b>	<b>27</b>	<b>35</b>	<b>50</b>	<b>80</b>	
<i>Cylinder Speeds</i>						
Gentle wash/reverse speed, rpm	29	27	26	24	22	
Wash/reverse speed, rpm	52	48	46	43	40	
Distribution speed, rpm	82	77	73	68	63	
Low extract speed, rpm	366	343	328	307	280	
Medium extract speed, rpm*	534	500	478	447	408	
High extract speed, rpm	685	641	613	573	524	
<i>Centrifugal Force Data</i>						
Gentle wash centrifugal force, Gs	0.25	0.25	0.25	0.25	0.25	
Wash/reverse centrifugal force, Gs	0.8	0.8	0.8	0.8	0.8	
Distribution centrifugal force, Gs	2	2	2	2	2	
Low extract centrifugal force, Gs	40	40	40	40	40	
Med. extract centrifugal force, Gs	85	85	85	85	85	
High extract centrifugal force, Gs	140	140	140	140	140	
<i>Balance Detection</i>						
Vibration safety switch installed	N/A	N/A	Standard	Standard	Standard	
<i>Direct Steam Heating (Optional)</i>						
Steam inlet connection size, in (mm)	1/2 (13)	1/2 (13)	1/2 (13)	1/2 (13)	1/2 (13)	
Number of steam inlets	1	1	1	1	1	
Steam req. to raise bath temperature 10°F, lb (10°C, kg)	LOW	1.1 (0.50)	1.4 (0.64)	2.1 (0.95)	2.8 (1.3)	4.4 (2.0)
	HIGH	1.4 (0.64)	1.9 (0.86)	2.7 (1.2)	3.7 (1.7)	6.3(2.9)
Average steam use per cycle, BHP	0.72	0.96	1.4	1.9	3.1	
<i>Electrical Heating (Optional)</i>						
Total electrical heating capacity, kW	7.8	7.8	15.6	23.4	31.2	
Electrical heating elements	3	3	6	9	12	
Electrical heat element size, kW	2.6	2.6	2.6	2.6	2.6	
*Medium extract speed is not available on Electronic Control (EC) models.						

# Installation

## Machine Dimensions

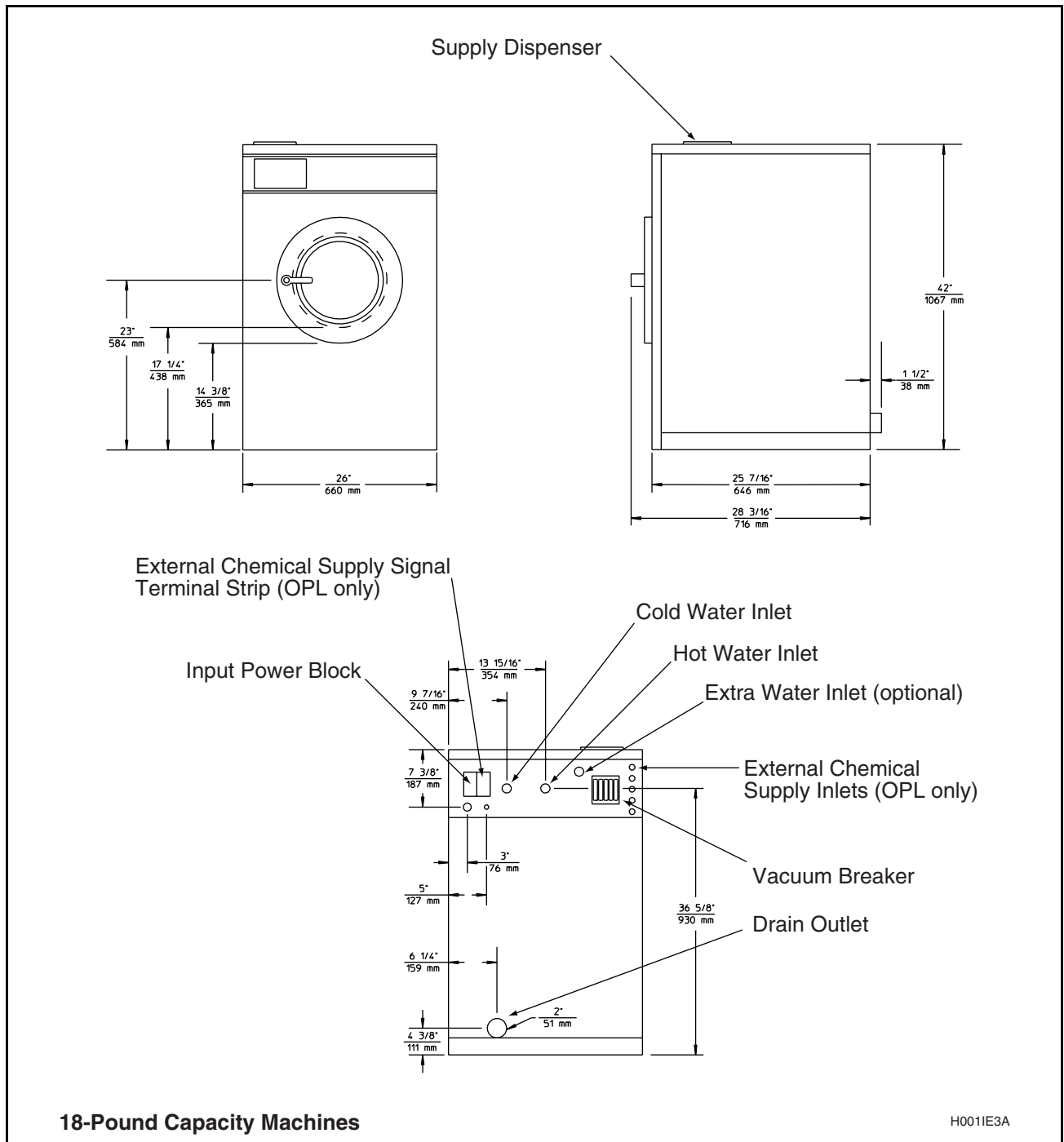
Figures 3 through 8 illustrate the machine dimensions for each size of machine, starting with the 18-pound model and finishing with the 80-pound model.

---

**Note:** The dimensions shown are for planning purposes only. They are approximate and subject to normal manufacturing tolerances. If exact dimensions are required for construction purposes, contact the distributor or the manufacturer. We reserve the right to make changes at any time without notice.

---

# Installation



# Installation

## Machine Dimensions (Continued)

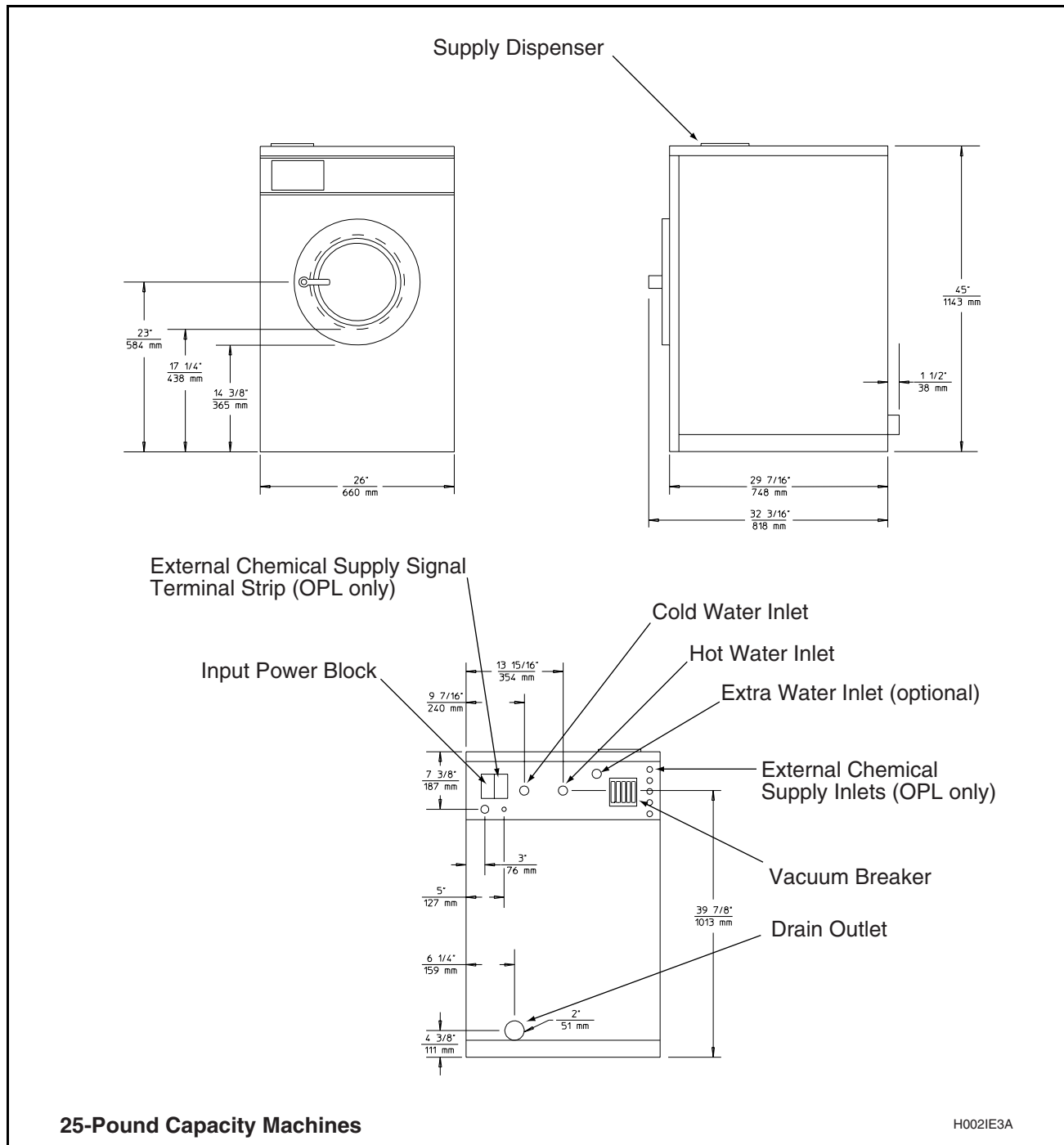


Figure 4



# Installation

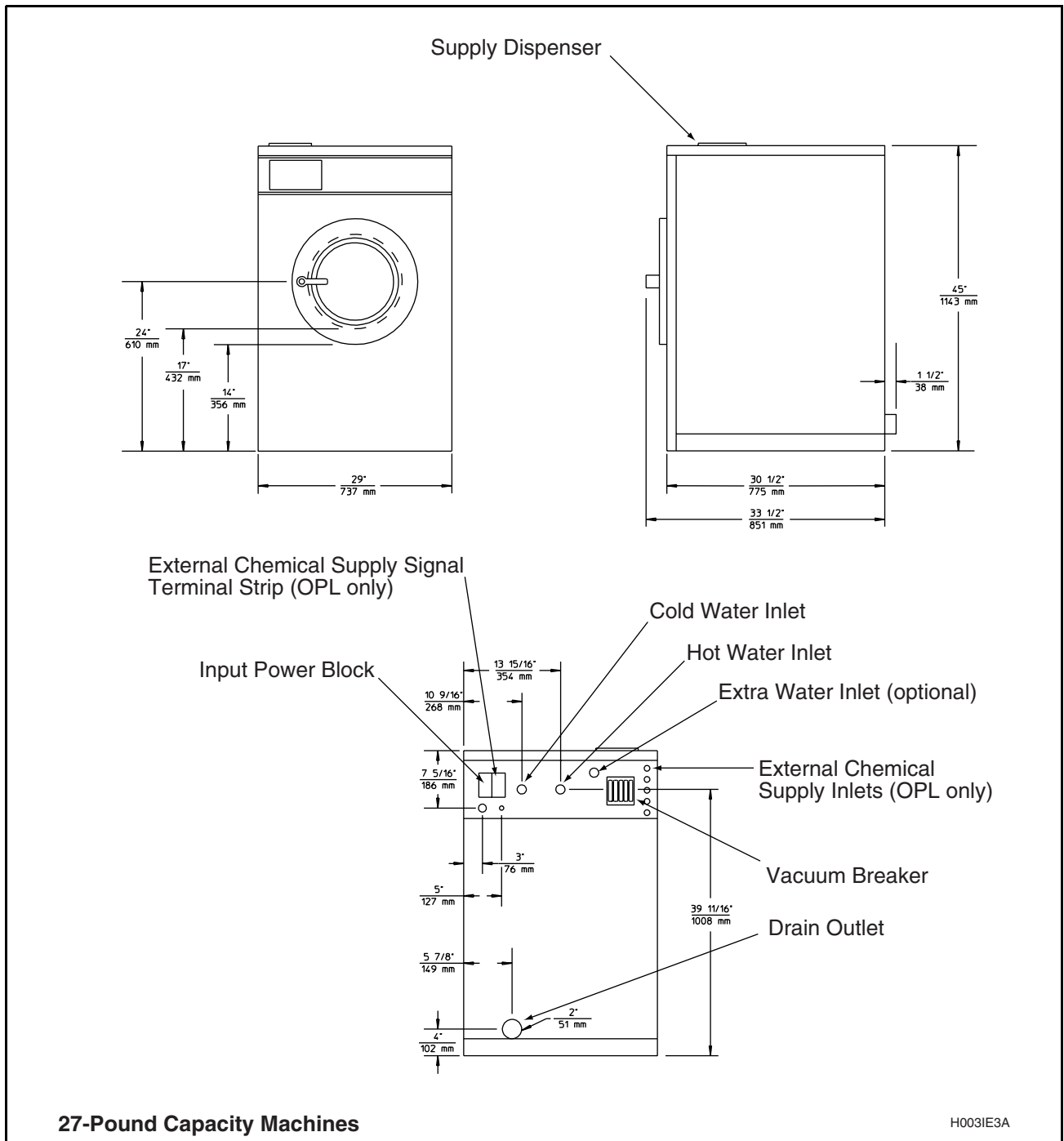


Figure 5

# Installation

## Machine Dimensions (Continued)

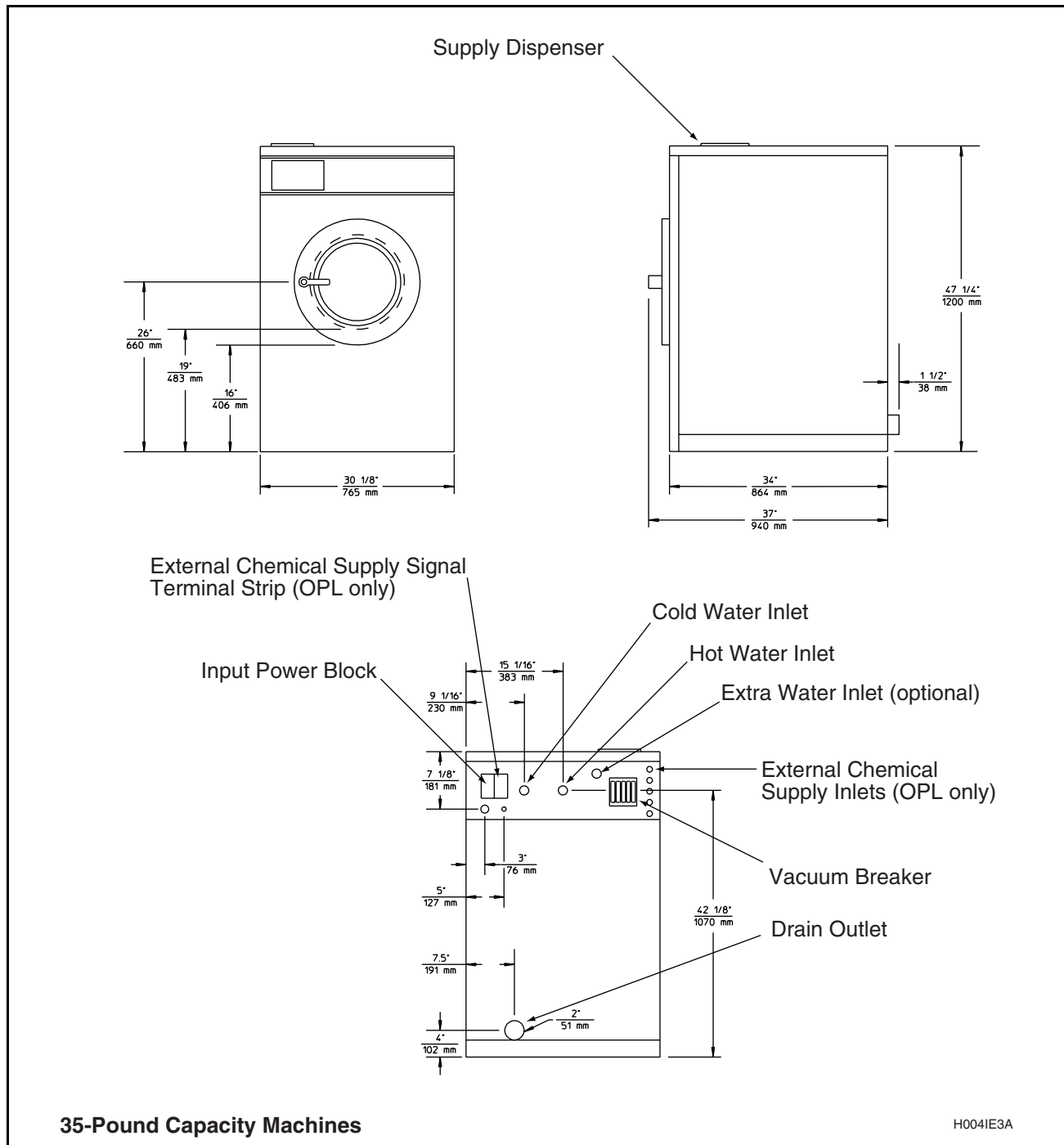


Figure 6

# Installation

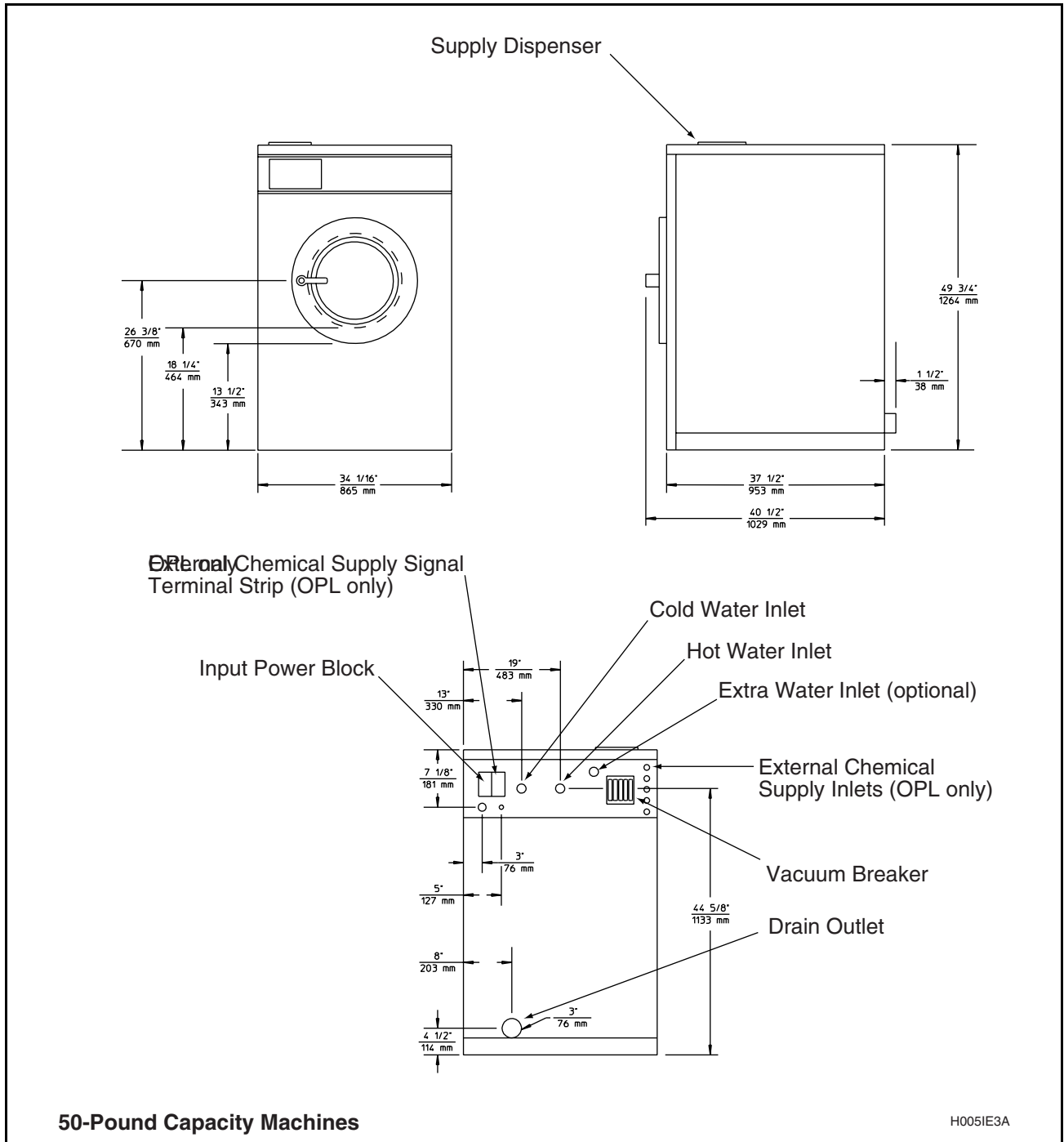


Figure 7

# Installation

## Machine Dimensions (Continued)

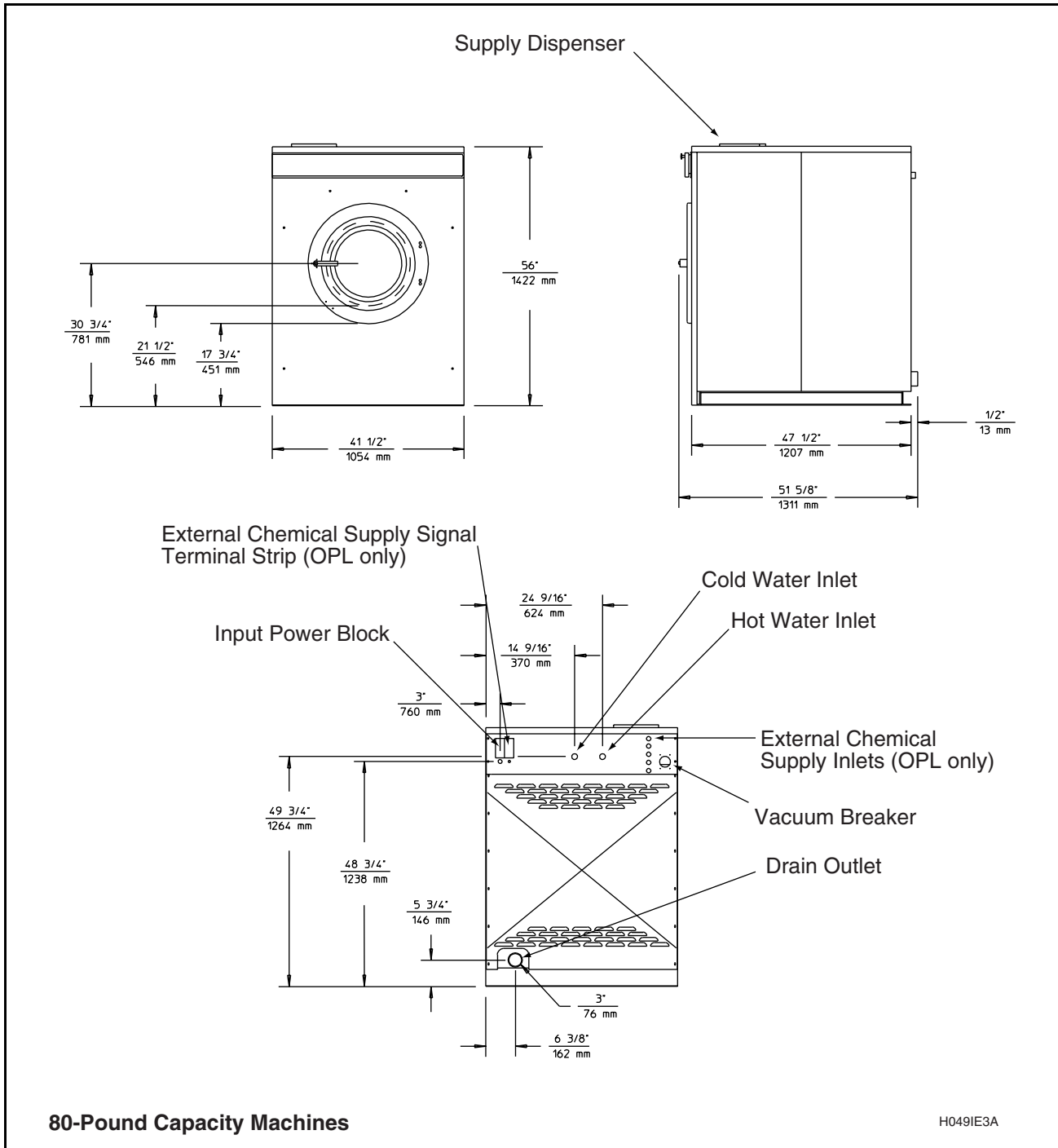


Figure 8

# Installation

## Dimensional Clearances

Allow a minimum of 12 inches (305 mm) at the rear for 18-pound and 25-pound capacity models and a minimum of 18 inches (457 mm) at the rear for the larger machines. Allow 2 inches (51 mm) at the sides and 1 inch (25 mm) between machines in multiple installations. Dimensional clearances are indicated in Figures 9 through 14 for each size of machine, starting with the 18-pound model and finishing with the 80-pound model.

---

**Note:** The dimensional clearances for the 80-pound model are dependent upon which set of mounting bolt holes is used. If the machine is intended for close mounting (mounting bolt pattern labeled "A" in Figure 28), follow the clearances in Figure 14. If the machine is intended for standard mounting (mounting bolt pattern labeled "B" in Figure 28), provide a minimum clearance of 8 inches (203 mm) at each side of the machine in addition to the clearances in Figure 14.

---

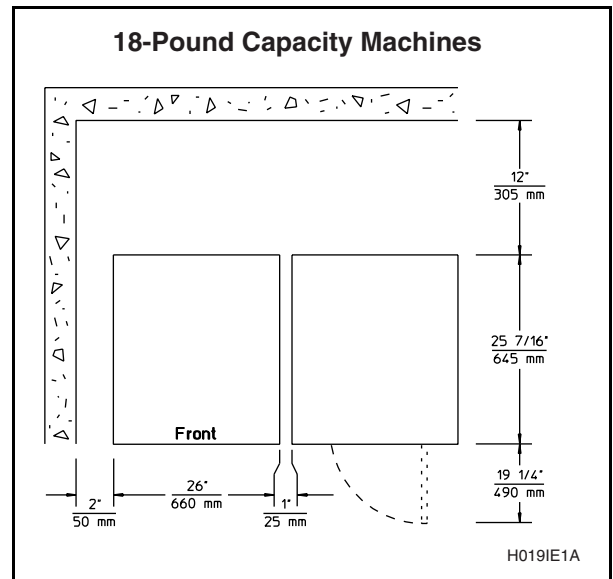


Figure 9

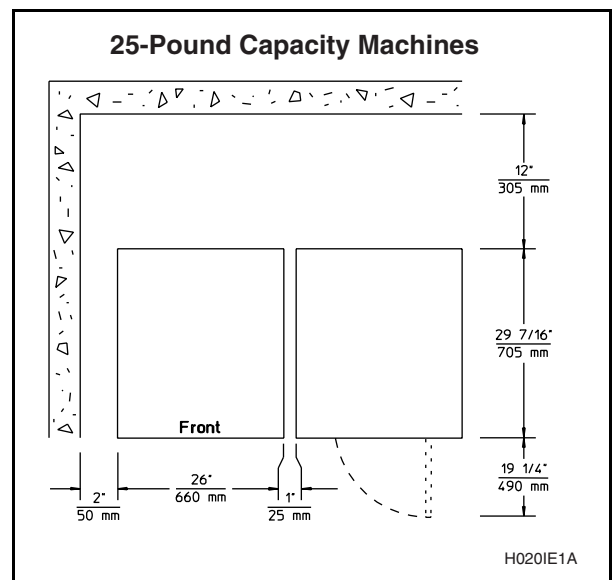


Figure 10

# Installation

## Dimensional Clearances (Continued)

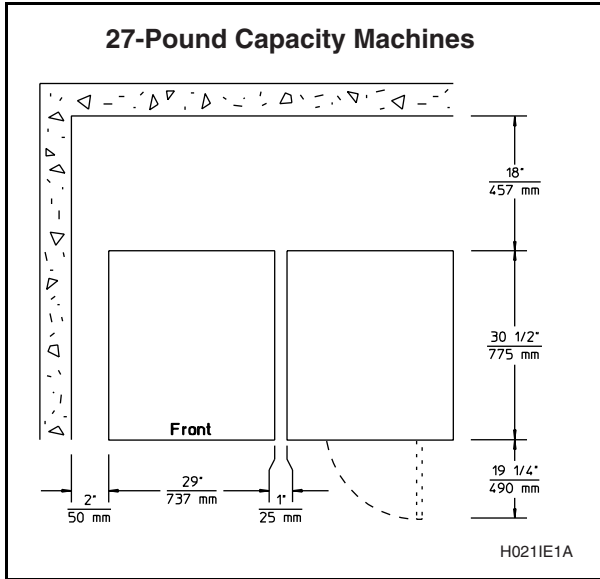


Figure 11

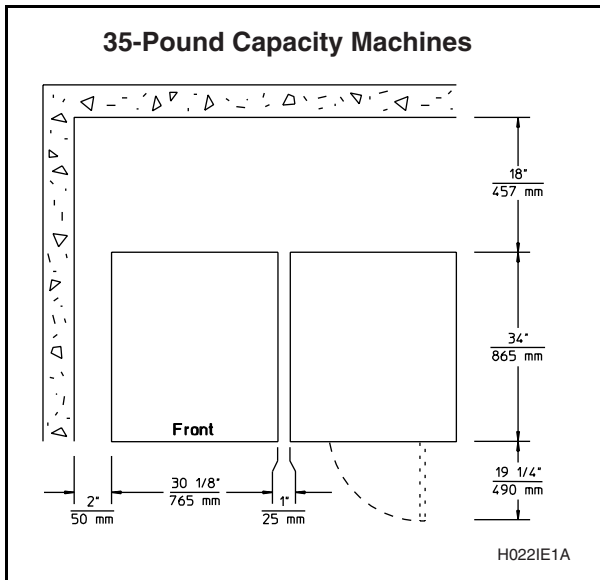


Figure 12

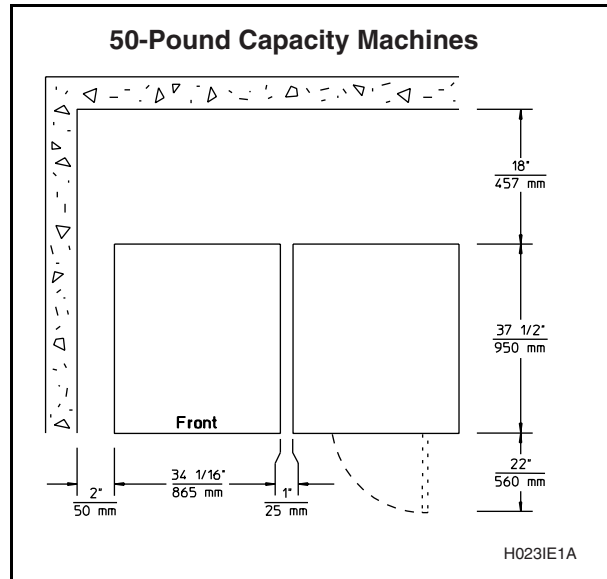


Figure 13

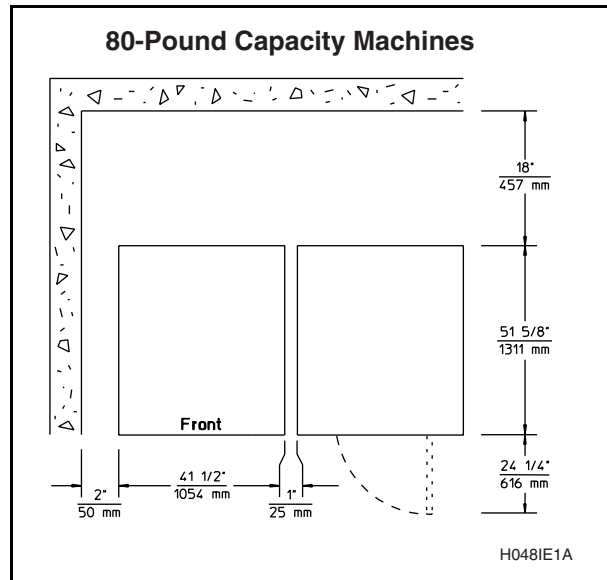


Figure 14


# Installation

## Machine Foundation

---

**Note:** Do not mount on wooden floors, above ground level, or over basements or crawlspaces. Installation must be “slab on grade” or equivalent.

---

	<b>CAUTION</b>
Ensure that the machine is installed on a level floor of sufficient strength and that the recommended clearances for inspection and maintenance are provided. Never allow the inspection and maintenance space to be blocked.	
<small>SW020</small>	

A proper foundation is absolutely necessary for all models because of the high extract speed and the G-forces exerted.

Thoroughness of detail must be stressed with all foundation work to insure a stable unit installation, eliminating possibilities of excessive vibration during extract.

The machine must be secured to a foundation or floor of adequate construction. The floor must be 3500 psi minimum reinforced concrete embedded in clean, compacted fill dirt. For 2-speed models, the floor must be at least 4 inches (102 mm) thick. For 3-speed and variable-speed models (except for the 80-pound capacity model), the floor must be at least 6 inches (152 mm) thick. For 80-pound capacity models, the floor must be at least 9 inches (229 mm) thick.

The machine must be anchored to a smooth level surface so that the entire base of the machine is supported and rests on the mounting surface. (Do not support the machine on only four points.) Anchor bolts for machine sizes up to the 50-pound capacity model must be a minimum of 5/8-inch diameter, grade 2. Anchor bolts for the 80-pound capacity model must be a minimum of 3/4-inch diameter, grade 2.

Care must be exercised in the design of the mounting base due to the force exerted by the machine during extract.

Static and dynamic loads on the floor or foundation are shown in the Cabinet Hardmount Floor Load Data tables in this subsection. These tables can be used as a reference when designing floors and foundations.

# Installation

## Machine Foundation (Continued)

<b>Cabinet Hardmount Floor Load Data, 2-Speed Models</b>					
<b>Specification</b>	<b>18</b>	<b>25</b>	<b>27</b>	<b>35</b>	<b>50</b>
Static floor load, lbs (kN)	476 (2.12)	549 (2.44)	653 (2.90)	804 (3.58)	1041 (4.63)
Static pressure, lbs-ft <sup>2</sup> (kN-m <sup>2</sup> )	104 (4.96)	103 (4.94)	106 (5.07)	113 (5.41)	117 (5.62)
Maximum dynamic load, lbs (kN)	296 (1.31)	420 (1.87)	427 (1.90)	581 (2.58)	860 (3.83)
Dynamic pressure, lbs-ft <sup>2</sup> (kN-m <sup>2</sup> )	64.4 (3.08)	79.3 (3.80)	69.5 (3.33)	82 (3.91)	97 (4.64)
Dynamic load frequency, Hz	8.75	9.00	8.00	7.83	7.50
Max. moment about machine base, lbs-ft (kN-m)	567 (0.769)	806 (1.12)	854 (1.16)	1261 (1.71)	1892 (2.57)

<b>Cabinet Hardmount Floor Load Data, 3-Speed Models</b>				
<b>Specification</b>	<b>18</b>	<b>35</b>	<b>50</b>	<b>80</b>
Static floor load, lbs (kN)	486 (2.16)	829 (3.69)	1171 (5.21)	2047 (9.10)
Static pressure, lbs-ft <sup>2</sup> (kN-m <sup>2</sup> )	106 (5.07)	117 (5.58)	132 (6.32)	150 (7.18)
Maximum dynamic load, lbs (kN)	468 (2.08)	910 (4.05)	1340 (5.96)	2288 (10.2)
Dynamic pressure, lbs-ft <sup>2</sup> (kN-m <sup>2</sup> )	102 (4.88)	128 (6.13)	151 (7.23)	167 (8.03)
Dynamic load frequency, Hz	11.0	9.85	9.35	8.88
Max. moment about machine base, lbs-ft (kN-m)	899 (1.22)	1975 (2.68)	2948 (4.00)	5873 (7.98)

<b>Cabinet Hardmount Floor Load Data, Variable-Speed Models</b>					
<b>Specification</b>	<b>18</b>	<b>27</b>	<b>35</b>	<b>50</b>	<b>80</b>
Static floor load, lbs (kN)	490 (2.18)	677 (3.01)	794 (3.53)	1009 (4.48)	1853 (8.23)
Static pressure, lbs-ft <sup>2</sup> (kN-m <sup>2</sup> )	107 (5.11)	110 (5.26)	112 (5.35)	114 (5.46)	135 (6.46)
Maximum dynamic load, lbs (kN)	512 (2.27)	755 (3.36)	979 (4.35)	1407 (6.25)	2209 (9.80)
Dynamic pressure, lbs-ft <sup>2</sup> (kN-m <sup>2</sup> )	112 (5.35)	123 (5.88)	138 (6.60)	159 (7.61)	161 (7.71)
Dynamic load frequency, Hz	11.52	10.68	10.22	9.58	8.67
Max. moment about machine base, lbs-ft (kN-m)	983 (1.33)	1450 (1.97)	2125 (2.88)	3095 (4.19)	5678 (7.68)



# Installation

## Mechanical Installation

*This subsection provides four specific methods of mechanical installation. Follow the procedure most appropriate for your machine.*

---

**Note:** Improper installation may void the warranty. Consult the manufacturer or your distributor before deviating from the appropriate procedure.

---

## Expansion Bolt Installation (2-Speed Models Only)

---

**Note:** Expansion bolts are not suitable for 3-speed or variable-speed machine installations. Expansion bolts should not be used in single-machine concrete foundation pad installations.

---

Use the following instructions and Figures 15 through 20 as a step-by-step guide to installation of the expansion bolts.

1. Verify that the floor is 3500 psi minimum reinforced concrete embedded in clean, compacted fill dirt and at least 4 inches (102 mm) thick.
2. Verify that the mounting surface is level and even. If the mounting surface fails to meet these requirements, the machine must be installed using J-bolts and machinery grout.
3. Use the base of the machine as a template by positioning the machine in the desired location and marking the pre-drilled mounting holes on the floor. See Figure 15.

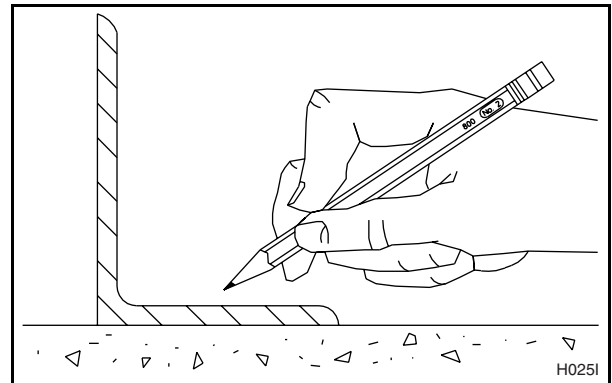


Figure 15

4. Set the drill depth gauge to 2-9/16 inches (65 mm). See Figure 16.

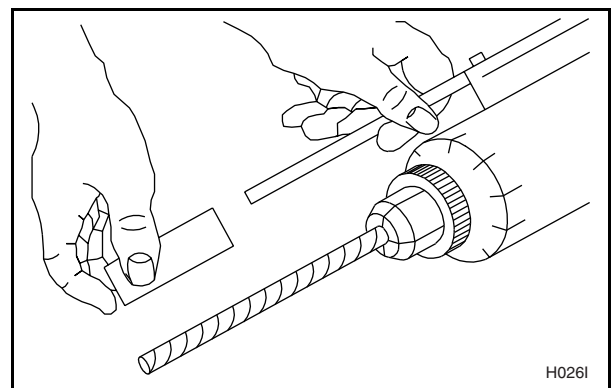


Figure 16

5. Drill the holes to the set depth. See Figure 17.

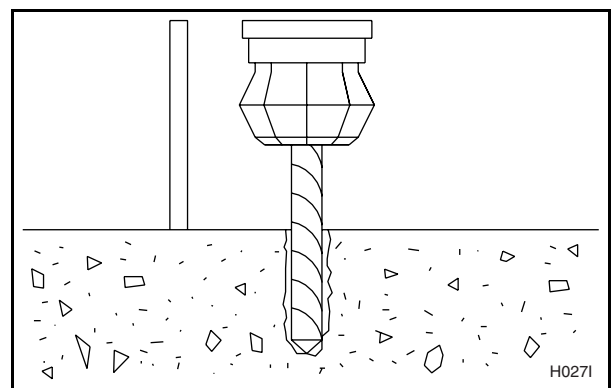


Figure 17

# Installation

## Mechanical Installation (Continued)

6. Use compressed air or a squeeze bulb to clean out each hole. See Figure 18.

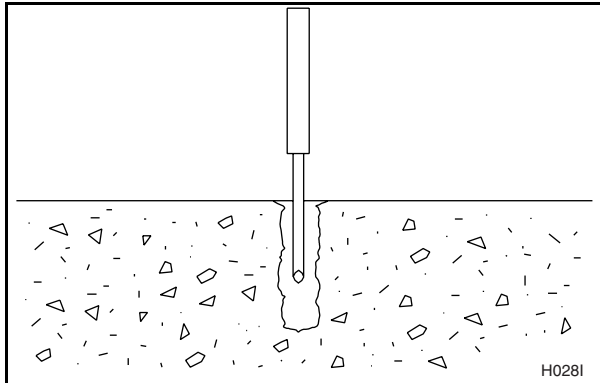


Figure 18

7. Install the machine anchors, using the included tool.
8. Secure the machine to the floor, using the bolts furnished with the anchors. Tighten the locknuts by even increments—one after the other—until all are tightened evenly and the machine is fastened securely to the floor. See Figure 19.

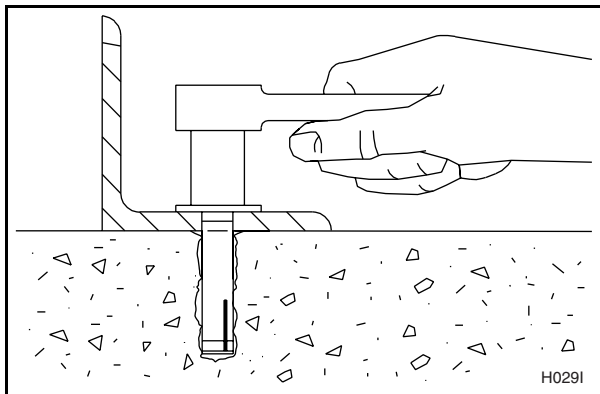


Figure 19

The completed expansion bolt installation is shown in Figure 20.

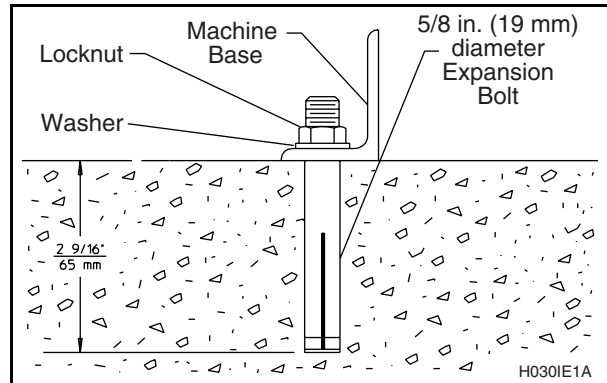


Figure 20

---

**Note:** Check and retighten the locknuts after five to ten days of operation and every three months thereafter.

---

# Installation

## Elevated Base Frame Installation (2-Speed Models Only)

**Note:** The 3-speed and variable-speed models should not be installed on elevated base frames.

Factory-built elevated steel base frames are designed to meet the specifications of the 2-speed model washer-extractor. See Figure 21.

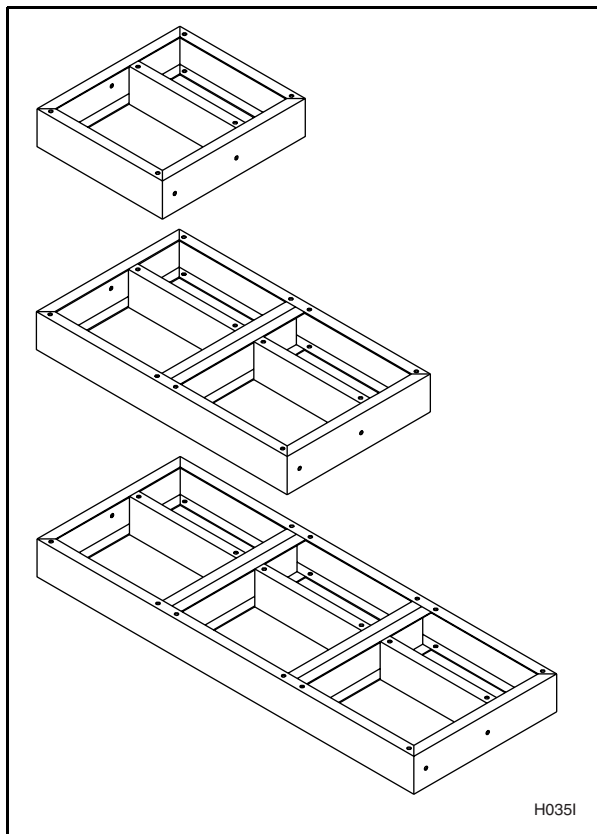


Figure 21

Use the following instructions and Figures 22 through 26 as a step-by-step guide to installation of the elevated base frame.

1. Verify that the floor is 3500 psi minimum reinforced concrete embedded in clean, compacted fill dirt. The floor must be at least 4 inches (102 mm) thick.
2. Use the elevated base frame as a template by positioning the frame in the desired location and marking the pre-drilled mounting holes on the floor. See Figure 22.

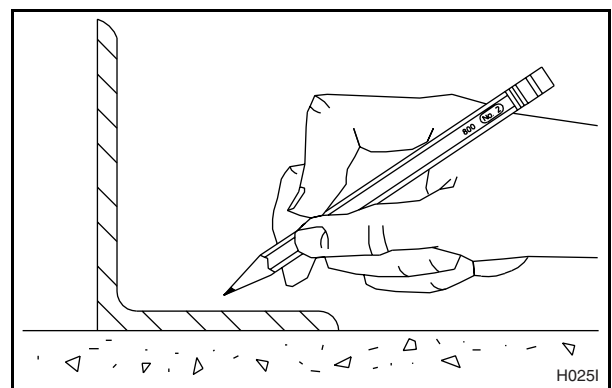


Figure 22

3. Adjust the drill depth gauge to match the length of the J-bolt, minus 1-1/2 inches (38 mm). See Figure 23.

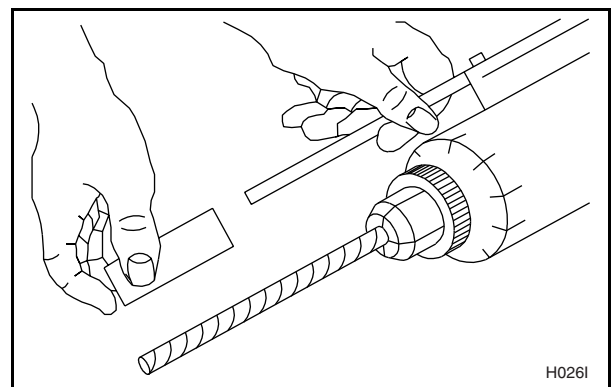


Figure 23

# Installation

## Mechanical Installation (Continued)

4. Drill and chisel out a conical hole large enough to accept the J-bolt. See Figure 24.

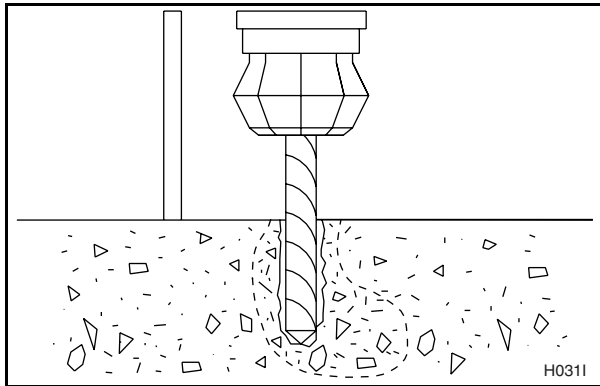


Figure 24

5. Use compressed air or a squeeze bulb to remove debris from each hole. Anchor J-bolt in place, using an industry-accepted anchoring compound. Verify that the J-bolts are in the correct locations and that 1-1/2 inches (38 mm) of each J-bolt protrude from the floor. See Figure 25.

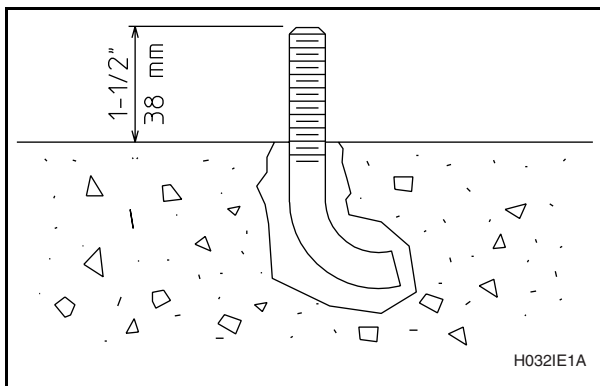


Figure 25

6. Raise and level the base frame 1/2 inch (13 mm) off the floor on three points, using spacers such as nut fasteners.

7. Fill the space between the frame base and the floor with a good quality non-shrinking machinery grout to ensure a stable installation. Grout completely under all frame members.
8. Remove the spacers carefully, allowing the base frame to settle into the wet grout.
9. Before grout sets completely, make a drain opening in the rear of the base frame grouting with a stiff piece of wire. This opening should be approximately 1/2 inch (13 mm) wide to allow any surface water build-up under the base of the machine to drain away. **Do not omit this step.**
10. Position washers and locknuts on J-bolts and fingertighten nuts to machine base.
11. After the grout is completely dry, tighten locknuts by even increments—one after the other—until all are tightened evenly and the base frame is fastened securely to the floor. See Figure 26.

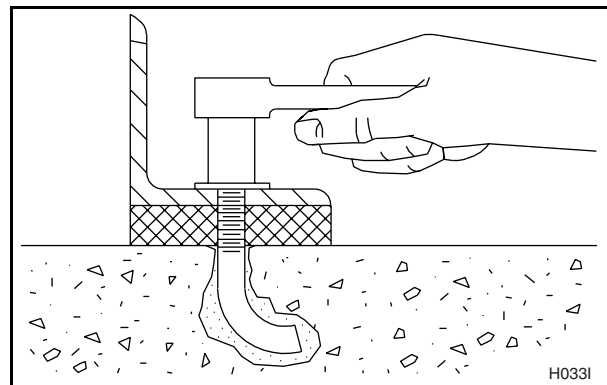


Figure 26

12. Position the machine over the base frame, aligning the mounting holes on the machine with the corresponding holes on the frame.

# Installation

13. Install a bolt, lockwasher, and nut in each mounting hole. Use 5/8" – 18 x 2 grade 5 mounting bolts with 5/8" – 18 grade B nuts and 5/8" lockwashers.
14. Handtighten each nut.
15. Tighten the two rear nuts two turns.
16. Tighten the two front nuts two turns.
17. On 25-pound, 27-pound, 35-pound, and 50-pound capacity models, tighten the two middle nuts firmly.
18. Tighten the two front nuts firmly; tighten the two rear nuts firmly.

---

**Note:** Check and retighten the locknuts after five to ten days of operation and every three months thereafter.

---

## J-Bolt Installation

Install J-bolts in concrete per the mounting bolt layouts in Figures 27 and 28. Use the following instructions and Figures 29 through 33 as a guide to step-by-step installation of the J-bolts.

1. Verify that the floor is 3500 psi minimum reinforced concrete embedded in clean, compacted fill dirt. For 2-speed models, the floor must be at least 4 inches (102 mm) thick. For 3-speed and variable-speed models (except for the 80-pound capacity model), the floor must be at least 6 inches (152 mm) thick. For 80-pound capacity models, the floor must be at least 9 inches (229 mm) thick.

# Installation

## Mechanical Installation (Continued)

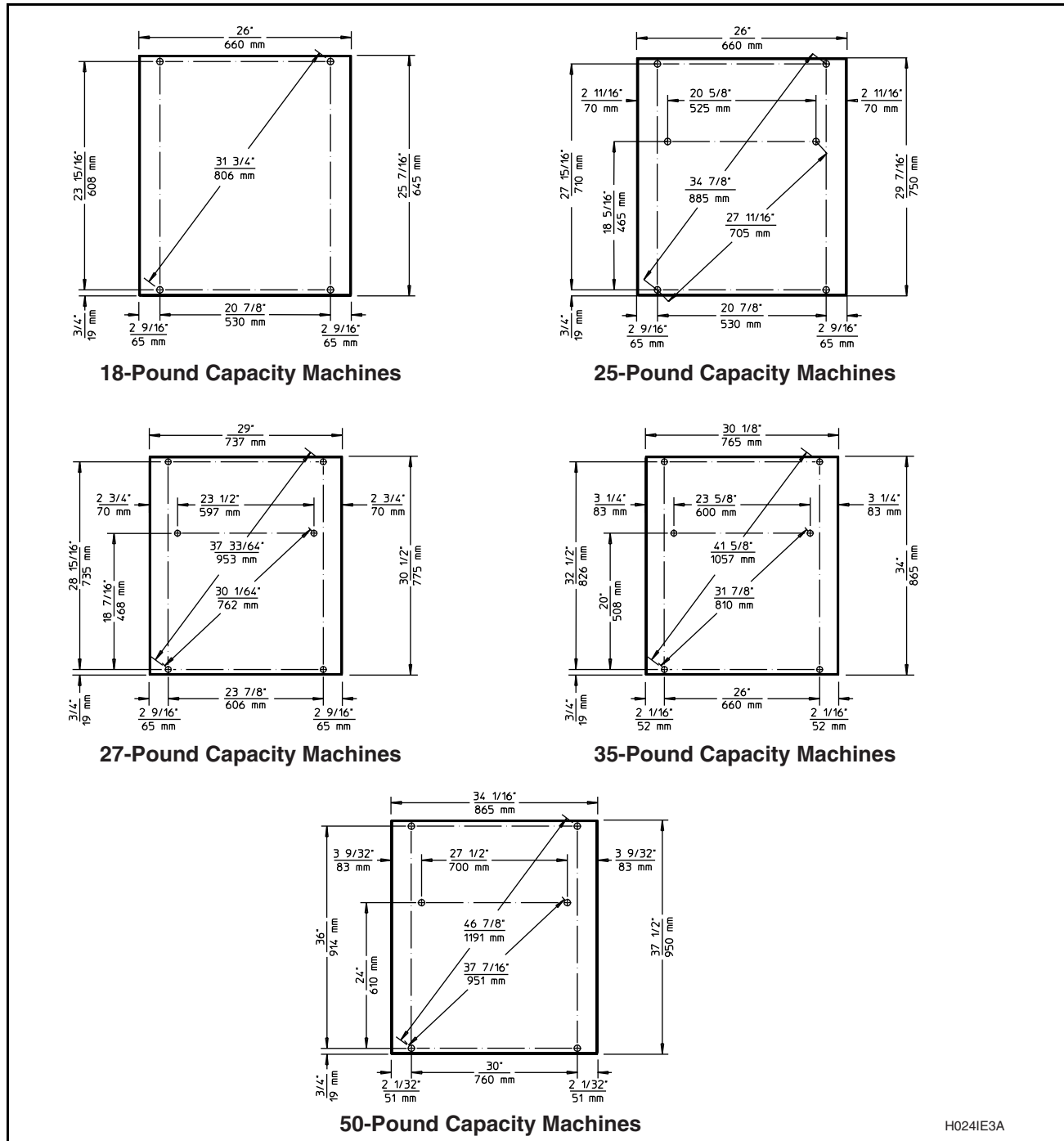


Figure 27

# Installation

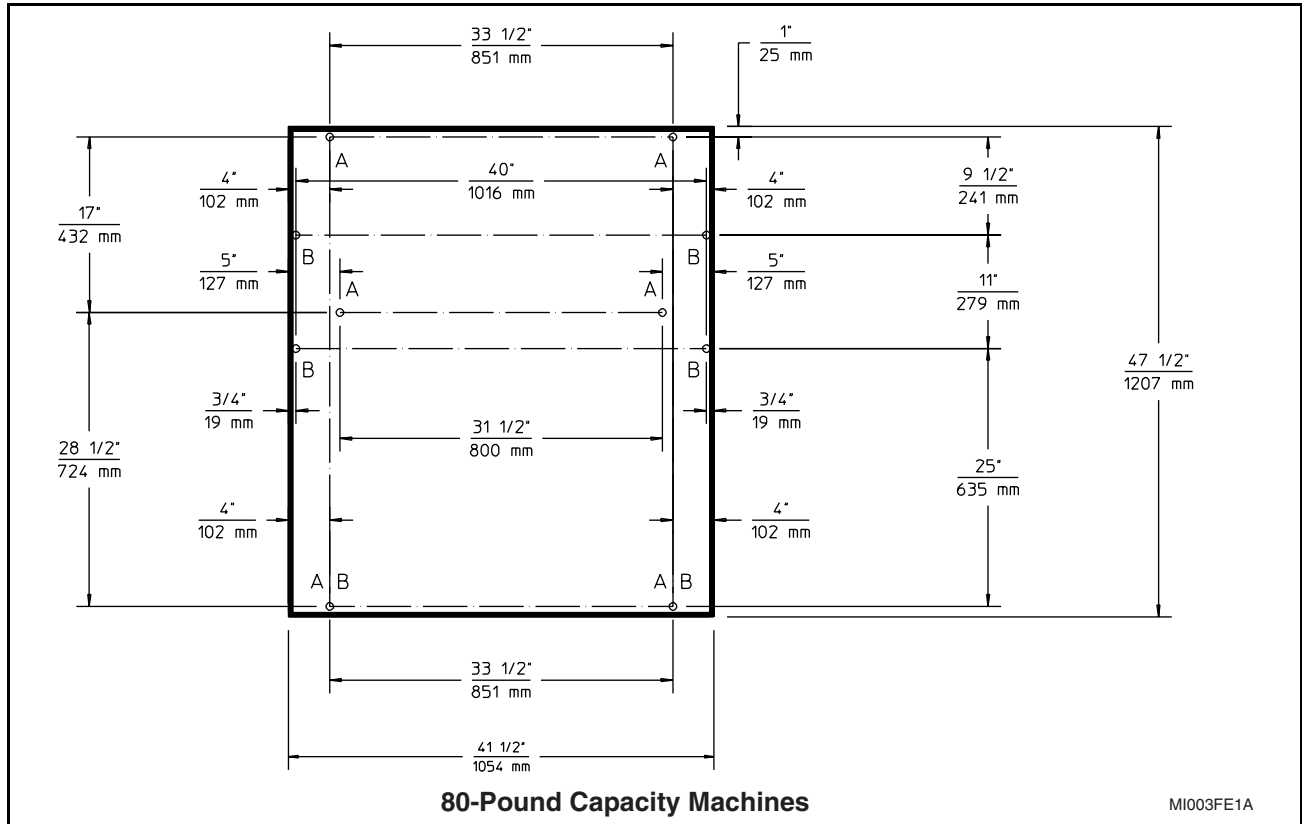


Figure 28

**Note:** There are two different mounting bolt layouts which may be used for the 80-pound capacity machine. See Figure 28. The bolt holes marked A are to be used for close mounting—machines installed with a 1-inch (25.4 mm) clearance between machines. The bolt holes marked B are to be used for standard mounting—machines installed with a minimum clearance of 8 inches (203 mm) between machines.

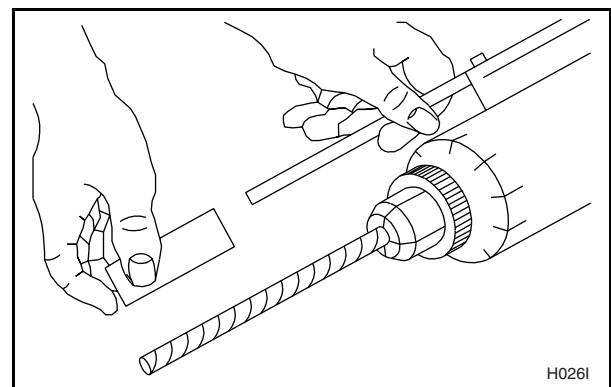


Figure 29

2. Adjust the drill depth gauge to match the length of the J-bolt, minus 1-1/2 inches (38 mm). See Figure 29.

# Installation

## Mechanical Installation (Continued)

3. Drill and chisel out a conical hole large enough to accept the J-bolt. See Figure 30.

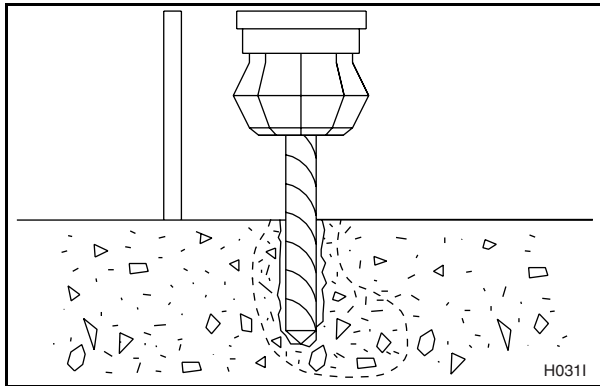


Figure 30

4. Use compressed air or a squeeze bulb to remove debris from each hole. Anchor J-bolt in place, using an industry-accepted anchoring compound. Verify that the J-bolts are in the correct locations and that 1-1/2 inches (38 mm) of each J-bolt protrude from the floor. See Figure 31.

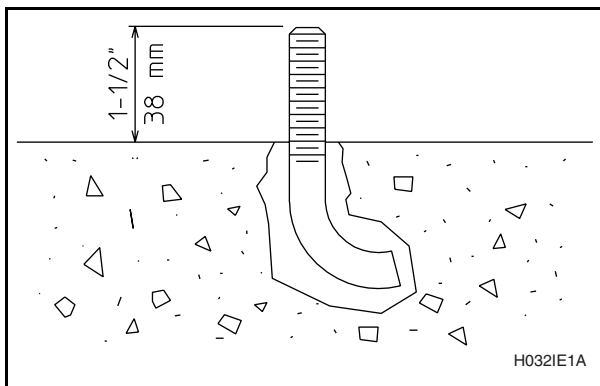


Figure 31

5. Place the machine carefully over the J-bolts. Never attempt to lift the machine by the door handle or by pushing on the cover panels.

6. If the machine is a **2-speed** model and the mounting surface is level and even, grouting is optional.

If grouting is not desired, position washers and locknuts on J-bolts and tighten the locknuts by even increments—one after the other—until all are tightened evenly and the machine is fastened securely to the floor. See Figure 26.

If grouting is desired (or required by the condition of the mounting surface), proceed to step 7.

If the machine is a **3-speed** or **variable-speed** model, the machine must be grouted. Proceed to step 7.

7. Raise and level the machine 1/2 inch off the floor on three points, using spacers such as nut fasteners.
8. Fill the space between the machine base and the floor with a good quality non-shrinking machinery grout to ensure a stable installation. Grout completely under all frame members.
9. Remove the spacers carefully, allowing the machine to settle into the wet grout.
10. Before grout sets completely, make a drain opening in the rear of the machine grouting with a stiff piece of wire. This opening should be approximately 1/2 inch (13 mm) wide to allow any surface water build-up under the base of the machine to drain away. **Do not omit this step.**
11. Position washers and locknuts on J-bolts and fingertighten nuts to machine base.
12. After the grout is completely dry, tighten the locknuts by even increments—one after the other—until all are tightened evenly and the machine is fastened securely to the floor. See Figure 32.



# Installation

## Concrete Foundation Pad

A concrete foundation pad may be constructed to elevate the machines. See Figure 34 for a typical concrete foundation pad installation.

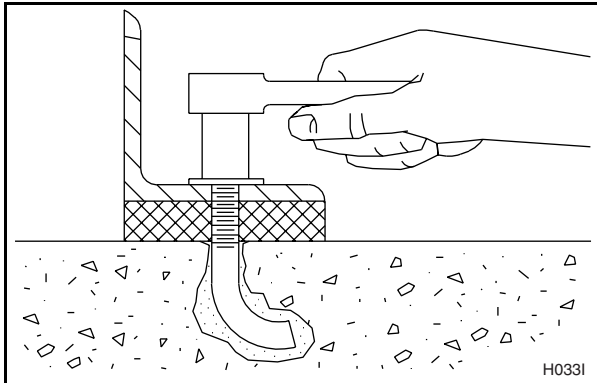


Figure 32

**Note:** Check and retighten the locknuts after five to ten days of operation and every three months thereafter.

Figure 33 shows the completed J-bolt installation with grout.

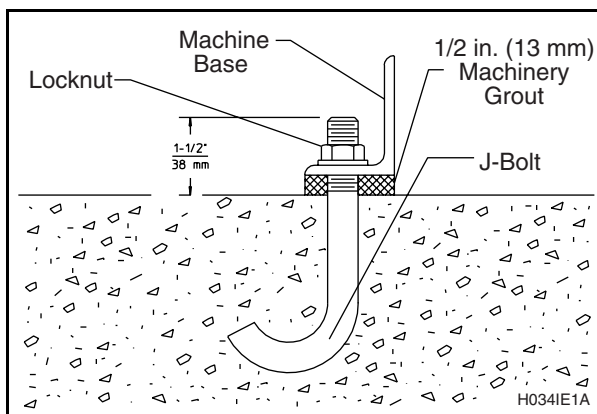


Figure 33

**Note:** Expansion bolts should not be used in single-machine concrete foundation pad installations.

1. Verify that the floor is 3500 psi minimum reinforced concrete embedded in clean, compacted fill dirt. For 2-speed models, the floor must be at least 4 inches (102 mm) thick. For 3-speed and variable-speed models (except for the 80-pound capacity model), the floor must be at least 6 inches (152 mm) thick. For 80-pound capacity models, the floor must be at least 9 inches (229 mm) thick.

2. Break up and excavate the floor to a depth of approximately 9 inches (230 mm) below the floor surface, making certain that the sides of the hole slope outwards from top to bottom. The bottom of the hole should be 5 inches (127 mm) larger all around than the top.

Note that when installation is complete, the top of the pad should extend a minimum of 4 inches (102 mm) out from the machine on all sides.

3. Wet the hole well and brush the bottom and sides with cement grout.

# Installation

## Mechanical Installation (Continued)

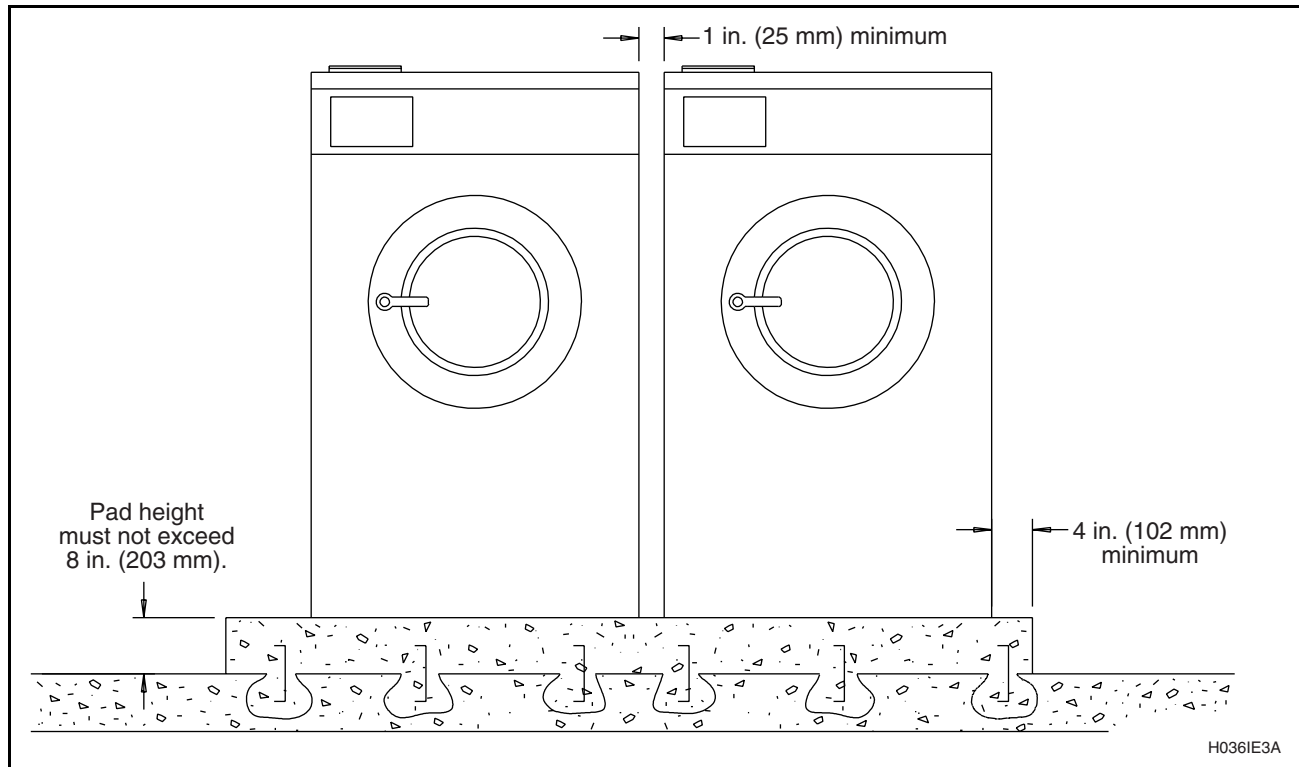


Figure 34

4. Use rebar or other appropriate material to ensure that the concrete foundation pad will be sufficiently connected to the existing floor.
5. Prepare a form for the above-ground portion of the pad and fill form and excavation with concrete to join the foundation. Verify that top of pad is level. The height of the pad must not exceed 8 inches (203 mm).
6. Use the mounting bolt layout in Figures 27 and 28 to properly position the mounting bolts in the wet concrete. When using J-bolts, allow 1-1/2 inches (38 mm) to extend above the surface of the concrete.
7. Allow concrete to dry.
8. Place the machine carefully over the mounting bolts. Never attempt to lift the machine by the door handle or by pushing on the cover panels.
9. If the machine is a **2-speed** model, grouting is optional.  
If grouting is not desired, position washers and locknuts on J-bolts and tighten the locknuts by even increments—one after the other—until all are tightened evenly and the machine is fastened securely to the floor. See Figure 35.  
If grouting is desired, proceed to step 10.  
If the machine is a **3-speed** or **variable-speed** machine installed on a concrete foundation pad, the machine must be grouted. Proceed to step 10.

# Installation

10. Raise and level the machine 1/2 inch off the pad on three points, using spacers such as nut fasteners.
11. Fill the space between the machine base and the pad with a good quality non-shrinking machinery grout to ensure a stable installation. Grout completely under all frame members.
12. Remove the spacers carefully, allowing the machine to settle into the wet grout.
13. Before grout sets completely, make a drain opening in the rear of the machine grouting with a stiff piece of wire. This opening should be approximately 1/2 inch (13 mm) wide to allow any surface water build-up under the base of the machine to drain away. **Do not omit this step.**
14. Position washers and locknuts on J-bolts and fingertighten nuts to machine base.
15. After the grout is completely dry, tighten the locknuts by even increments—one after the other—until all are tightened evenly and the machine is fastened securely to the concrete foundation pad. See Figure 35.

---

**Note:** Check and retighten the locknuts after five to ten days of operation and every three months thereafter.

---

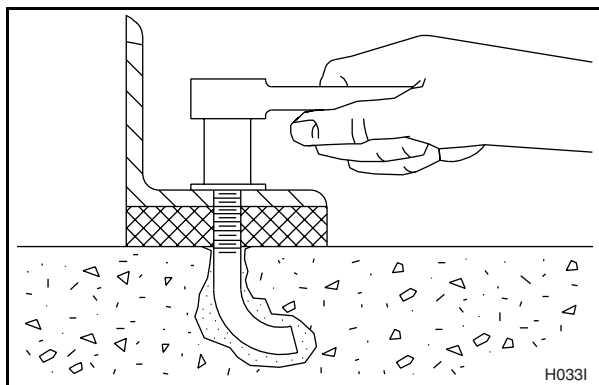


Figure 35

# Installation

## Drain Connection

A drain system of adequate capacity is essential to machine performance. Ideally, the water should empty through a vented pipe directly into a sump or floor drain. Figures 36 and 37 show typical drain line and drain trough configurations.

A flexible connection must be made to a vented drain system to prevent an air lock and to prevent siphoning. If proper drain size is not available or practical, a surge tank is required. A surge tank in conjunction with a sump pump should be used when gravity drainage is not possible, such as in below-ground-level installations.

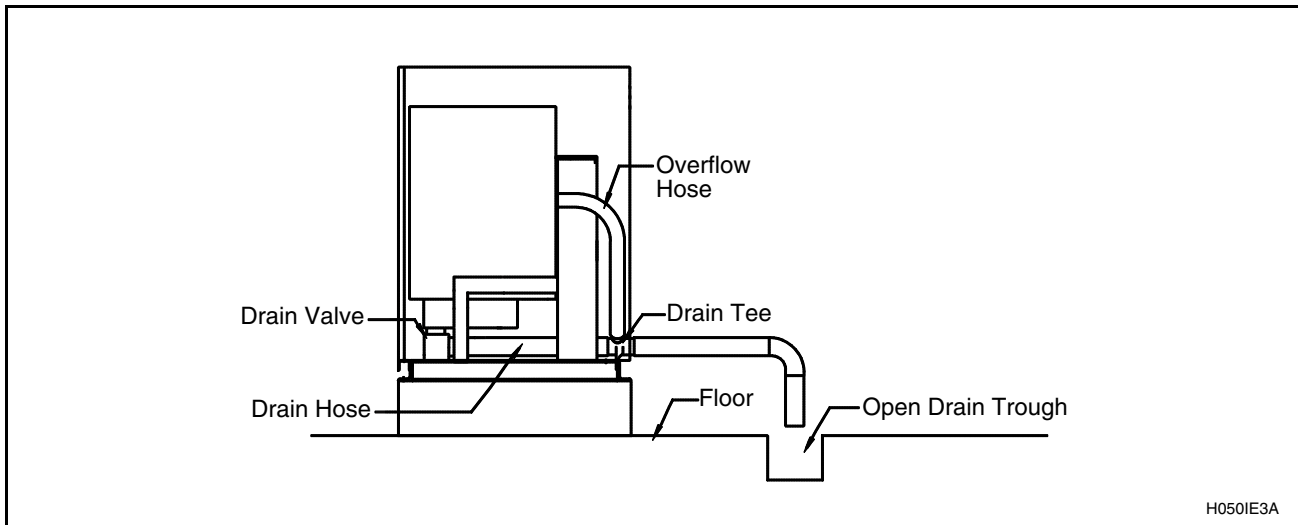


Figure 36

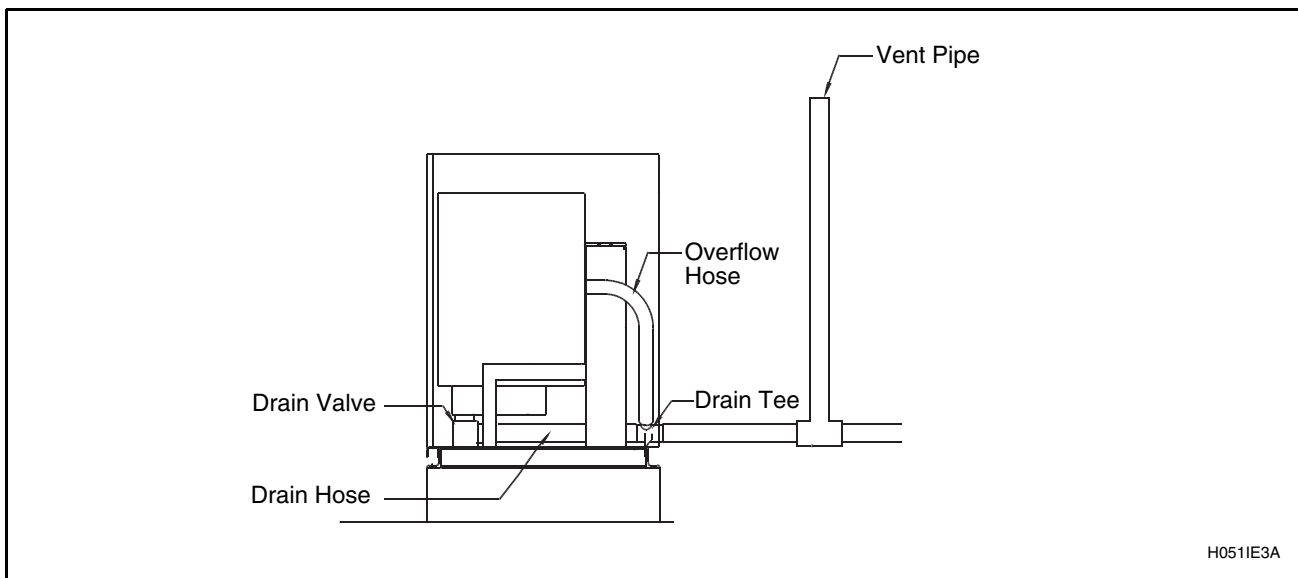


Figure 37

# Installation

Before any deviation from specified installation procedures is attempted, the customer or installer should contact the distributor.

See the Cabinet Hardmount Drain Information table in this subsection for capacity-specific drain information.

Increasing the drain hose length, installing elbows, or causing bends will decrease drain flow rates and increase drain times, impairing machine performance.

Installation of additional machines will require proportionately larger drain connections. See the Cabinet Hardmount Drain Line Sizing table in this subsection.

<b>Cabinet Hardmount Drain Information</b>						
	<b>18</b>	<b>25</b>	<b>27</b>	<b>35</b>	<b>50</b>	<b>80</b>
Drain connection size, ID, in (mm)	2 (52)	2 (52)	2 (52)	2 (52)	3 (76)	3 (76)
Number of drain outlets	1	1	1	1	1	1
Drain flow capacity, gal-min (l-min)	20 (76)	25 (95)	25 (95)	35 (132)	50 (189)	50 (189)
Recommended drain pit size, ft <sup>3</sup> (l)	1.80 (51)	2.36 (66.8)	2.50 (70.3)	3.14 (88.9)	4.52 (128)	5.90 (169)

<b>Cabinet Hardmount Drain Line Sizing Minimum Drain I.D. [in (mm)]</b>					
<b>Model</b>	<b>Number Of Machines</b>				
	<b>1</b>	<b>2</b>	<b>3</b>	<b>4</b>	<b>5</b>
18	2 (51)	3 (76)	3 (76)	4 (102)	4 (102)
25	2 (51)	3 (76)	3 (76)	4 (102)	4 (102)
27	2 (51)	3 (76)	3 (76)	4 (102)	4 (102)
35	3 (76)	3 (76)	3-1/2 (89)	4 (102)	4 (102)
50	3 (76)	4 (102)	6 (152)	6 (152)	6 (152)
80	4 (102)	6 (152)	6 (152)	8 (203)	8 (203)

# Installation

## Water Connection

Cabinet Hardmount Water Supply Information	
Water inlet connection size, in (mm)	3/4 (19)
Number of water inlets (standard)	2
Recommended pressure, psi (bar)	30 – 85 (2 – 5.7)
Inlet flow capacity, gal-min/l-min (80psi)	12 (45)

Connections should be supplied by a hot and a cold water line of at least the sizes shown in the Water Supply Line Sizing table. Installation of additional machines will require proportionately larger water lines. See table.

To connect water service to machine with rubber hoses, use the following procedure:

1. Before installing hoses, flush the water system for at least 2 minutes.
2. Check filters in the machine’s inlet hoses for proper fit and cleanliness before connecting.
3. Hang hoses in a large loop; do not allow them to kink.

If additional hose lengths are needed, use flexible hoses with screen filters. Each hose should have a screen filter installed to keep rust and other foreign particles out of the water inlet valves.

Pressure of 30 – 85 psi (2 – 5.7 bar) provides best performance. Although the machine will function properly at lower pressure, increased fill times will occur.

Cabinet Hardmount Water Supply Line Sizing			
Capacity	Number Of Machines	Supply Line Size [in (mm)]	
		Main	Hot/cold
18 – 50	1	3/4 (19)	3/4 (19)
	2	1 (25)	3/4 (19)
	3	1-1/4 (32)	1 (25)
	4	1-1/2 (38)	1 (25)
80	1	1 (25)	3/4 (19)
	2	1-1/2 (38)	1 (25)
	3	2 (50)	1-1/4 (32)
	4	2 (50)	1-1/2 (38)

Suitable air cushions should be installed in supply lines to prevent “hammering.” See Figure 38. If the water pressure is above 60 psi, flexible copper tubing should be used in place of rubber hoses.

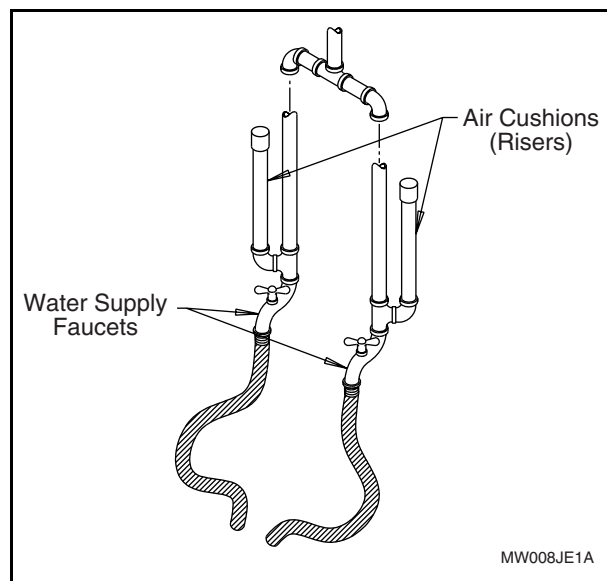





Figure 38

# Installation

## Electrical Installation


	<b>WARNING</b>
<p>This machine must be installed, adjusted, and serviced by qualified electrical maintenance personnel familiar with the construction and operation of this type of machinery. They must also be familiar with the potential hazards involved. Failure to observe this warning may result in personal injury and/or equipment damage, and may void the warranty.</p>	
SW004	


	<b>WARNING</b>
<p>Dangerous voltages are present in the electrical control box(es) and at the motor terminals. Only qualified personnel familiar with electrical test procedures, test equipment, and safety precautions should attempt adjustments and troubleshooting. Disconnect power from the machine before removing the control box cover, and before attempting any service procedures.</p>	
SW005	

	<b>WARNING</b>
<p>Ensure that a ground wire from a proven earth ground is connected to the ground lug near the input power block on this machine. Without proper grounding, personal injury from electric shock could occur and machine malfunctions may be evident.</p>	
SW008	

Machines equipped with an AC inverter drive require a clean power supply free from voltage spikes and surges. A voltage monitor should be used to check incoming power. The customer's local power company may provide such a monitor.

If input voltage measures above 230V for a 200V drive or above 440V for a 400V drive, ask the power company to lower the voltage. As an alternative, a step-down transformer kit is available from the distributor. Voltages above 250V and 490V require additional measures. Contact the distributor or the manufacturer for assistance.

	<b>WARNING</b>
<p>Never touch terminals or components of the AC inverter drive unless power is disconnected and the "CHARGE" indicator LED is off. The AC inverter drive retains potentially deadly voltage for some time after the power is disconnected. There are no user-serviceable parts inside the AC inverter drive. Tampering with the drive will void the warranty.</p>	
SW009	

	<b>DANGER</b>
<p>When controlling the AC inverter drive with a parameter unit, the machine's computer and its safety features are bypassed. This would allow the basket to rotate at high speeds with the door open. When using a parameter unit to control the AC inverter drive, a large sign should be placed on the front of the machine warning people of the imminent danger.</p>	
SW003	

# Installation

## Electrical Installation (Continued)

The 2-speed and 3-speed machines have a thermal overload protector in the drive motor windings and a separate fuse for the control circuit. Single-phase machines require a single-phase inverse-time circuit breaker. Three-phase machines require a three-phase inverse-time circuit breaker.

On variable-speed machines, the AC drive provides thermal overload protection for the drive motor. However, a separate three-phase inverse-time circuit breaker must be installed for complete electrical overload protection. This prevents damage to the motor by disconnecting all legs if one should be lost accidentally. Check the data plate on the back of the washer-extractor or consult the Electrical Specifications chart in this subsection for model-specific circuit breaker requirements.

---

**Note:** Do NOT use fuses in place of a circuit breaker.

---

The machine should be connected to an individual branch circuit not shared with lighting or other equipment.


The connection should be shielded in a liquid-tight or approved flexible conduit with proper conductors of correct size installed in accordance with the National Electric Code or other applicable codes. The connection must be made by a qualified electrician using the wiring diagram provided with the machine, or according to accepted European standards for CE approved equipment.

Use wire sizes indicated in the Electrical Specifications chart for runs up to 50 feet. Use next larger size for runs of 50 to 100 feet. Use two sizes larger for runs greater than 100 feet.

For personal safety and proper operation, the machine must be grounded in accordance with state and local codes. If such codes are not available, grounding must conform with the National Electric Code, article 250-95. The ground connection must be made to a proven earth ground, not to conduit or water pipes.

Do not connect the ground to the neutral (N-white wire) leg at the terminal strip.

If three-phase service is unavailable for a 2-speed or 3-speed model and a Roto-Phase or other phase adder is used, the artificial leg must be connected to L3 in the input power junction box.

	<b>CAUTION</b>
Do not use a phase adder on any variable-speed machine.	
SW037	

If the machine is intended for four-wire service, a neutral leg must be provided by the power company.

If a delta supply system is used on a four-wire model, the high leg must be connected to L3. Improper connections will result in equipment damage and will void the warranty.



# Installation

Cabinet Hardmount Electrical Specifications 18-Pound Capacity Models												
Voltage Designation					Standard				Electric Heat			
Code	Voltage	Cycle	Phase	Wire	Full Load Amps	Circuit Breaker	AWG	mm <sup>2</sup>	Full Load Amps	Circuit Breaker	AWG	mm <sup>2</sup>
<i>2-Speed Models</i>												
B	110-120	60	1	2	15	20	12	4.00	N/A			
C	380-415	50	3	4	4	15	14	2.50	14	15	14	2.50
D	220-240	50	3	3	5	15	14	2.50	24	25	10	6.00
E	220-240	50	1	2	10	20	12	4.00	42	45	6	16.0
F	440-480	60	3	3	4	15	14	2.50	16	20	12	4.00
O	208-240	60	3	3	5	15	14	2.50	24	25	10	6.00
U	380	50	3	4	4	15	14	2.50	14	15	14	2.50
	240	50	3	3	5	15	14	2.50	24	25	10	6.00
Y	208-240	60	1	2	10	20	12	4.00	N/A			
<i>3-Speed Models</i>												
A	208-240	60	3	4	7	15	14	2.50	24	30	10	6.00
C	380-415	50	3	4	5	15	14	2.50	15	20	12	4.00
D	220-240	50	3	3	7	15	14	2.50	24	30	10	6.00
F	440-480	60	3	3	5	15	14	2.50	15	20	12	4.00
O	208-240	60	3	3	7	15	14	2.50	24	30	10	6.00
<i>Variable-Speed Models</i>												
O	208-240	60	3	3	3.84	15	14	2.50	N/A			
Y	208-240	60	1	2	3.84	15	14	2.50	N/A			

**Note:** Wire sizes shown are for copper, THHN, 90° conductor per NEC article 310.

# Installation

## Electrical Installation (Continued)

Cabinet Hardmount Electrical Specifications 25-Pound and 27-Pound Capacity Models												
Voltage Designation					Standard				Electric Heat			
Code	Voltage	Cycle	Phase	Wire	Full Load Amps	Circuit Breaker	AWG	mm <sup>2</sup>	Full Load Amps	Circuit Breaker	AWG	mm <sup>2</sup>
<i>2-Speed Models</i>												
C	380-415	50	3	4	4	15	14	2.50	15	15	14	2.50
D	220-240	50	3	3	6	15	14	2.50	24	25	10	6.00
E	220-240	50	1	2	10	20	12	4.00	42	45	6	16.0
F	440-480	60	3	3	4	15	14	2.50	16	20	12	4.00
O	208-240	60	3	3	7	15	14	2.50	25	25	10	6.00
U	380	50	3	4	4	15	14	2.50	15	15	14	2.50
	240	50	3	3	6	15	14	2.50	24	25	10	6.00
Y	208-240	60	1	2	10.5	20	12	4.00	N/A			
<i>Variable-Speed Models (27-pound capacity models only)</i>												
O	208-240	60	3	3	4.8	15	14	2.50	N/A			
Y	208-240	60	1	2	4.8	15	14	2.50	N/A			
<b>Note:</b> Wire sizes shown are for copper, THHN, 90° conductor per NEC article 310.												

# Installation

Cabinet Hardmount Electrical Specifications 35-Pound Capacity Models												
Voltage Designation					Standard				Electric Heat			
Code	Voltage	Cycle	Phase	Wire	Full Load Amps	Circuit Breaker	AWG	mm <sup>2</sup>	Full Load Amps	Circuit Breaker	AWG	mm <sup>2</sup>
<i>2-Speed Models</i>												
C	380-415	50	3	4	5	15	14	2.50	26	30	10	6.00
D	220-240	50	3	3	7	20	12	4.00	43	50	6	16.0
E	220-240	50	1	2	12	25	10	6.00	N/A			
F	440-480	60	3	3	5	15	14	2.50	26	30	10	6.00
O	208-240	60	3	3	7	20	12	4.00	43	50	6	16.0
U	380	50	3	4	5	15	14	2.50	26	30	10	6.00
	240	50	3	3	7	20	12	4.00	43	50	6	16.0
Y	208-240	60	1	2	12	25	10	6.00	N/A			
<i>3-Speed Models</i>												
A	208-240	60	3	4	12	30	10	6.00	44	50	6	16.0
C	380-415	50	3	4	6	20	12	4.00	28	30	10	6.00
D	220-240	50	3	3	10	30	10	6.00	44	50	6	16.0
F	440-480	60	3	3	6	20	12	4.00	28	30	10	6.00
O	208-240	60	3	3	12	30	10	6.00	44	50	6	16.0
<i>Variable-Speed Models</i>												
O	208-240	60	3	3	5.86	15	14	2.50	N/A			
Y	208-240	60	1	2	5.86	15	14	2.50	N/A			
<b>Note:</b> Wire sizes shown are for copper, THHN, 90° conductor per NEC article 310.												

# Installation

## Electrical Installation (Continued)

Cabinet Hardmount Electrical Specifications 50-Pound Capacity Models												
Voltage Designation					Standard				Electric Heat			
Code	Voltage	Cycle	Phase	Wire	Full Load Amps	Circuit Breaker	AWG	mm <sup>2</sup>	Full Load Amps	Circuit Breaker	AWG	mm <sup>2</sup>
<i>2-Speed Models</i>												
C	380-415	50	3	4	6	15	14	2.50	39	50	6	16.0
D	220-240	50	3	3	10	20	12	4.00	64	70	4	25.0
E	220-240	50	1	2	15	30	10	6.00	N/A			
F	440-480	60	3	3	6	15	14	2.50	39	50	6	16.0
O	208-240	60	3	3	10	20	12	4.00	64	70	4	25.0
Y	208-240	60	1	2	15	30	10	6.00	10	20	12	4.00
<i>3-Speed Models</i>												
A	208-240	60	3	4	13	30	10	6.00	64	70	4	25.0
C	380-415	50	3	4	7	20	12	4.00	39	50	6	16.0
D	220-240	50	3	3	13	30	10	6.00	62	70	4	25.0
F	440-480	60	3	3	7	20	12	4.00	39	50	6	16.0
O	208-240	60	3	3	13	30	10	6.00	64	70	4	25.0
<i>Variable-Speed Models</i>												
O	208-240	60	3	3	10.9	15	14	2.50	66.5	70	4	2.50
Y	208-240	60	1	2	10.9	15	14	2.50	N/A			

**Note:** Wire sizes shown are for copper, THHN, 90° conductor per NEC article 310.

# Installation


Cabinet Hardmount Electrical Specifications 80-Pound Capacity Models												
Voltage Designation					Standard				Electric Heat			
Code	Voltage	Cycle	Phase	Wire	Full Load Amps	Circuit Breaker	AWG	mm <sup>2</sup>	Full Load Amps	Circuit Breaker	AWG	mm <sup>2</sup>
<i>3-Speed Models</i>												
A	208-240	60	3	4	15	40	6	16	90	100	1	45
C	380-415	50	3	4	9	20	12	4	41	45	6	16
D	220-240	50	3	3	14	40	6	16	89	90	2	35
F	440-480	60	3	3	9	20	12	4	46	50	6	16
O	208-240	60	3	3	15	40	6	16	90	100	1	45
W	380-415	50	3	3	9	20	12	4	41	45	6	16
<i>Variable-Speed Models</i>												
F	440-480	60	3	3	4.49	15	14	2.50	N/A			
O	208-240	60	3	3	12.4	20	12	4	87.46	90	2	35
<b>Note:</b> Wire sizes shown are for copper, THHN, 90° conductor per NEC article 310.												

If the machine fails to operate after power is connected, disconnect power and check the control circuit fuse. Unlock and raise the top cover. For mechanical timer, P-computer, and S-computer models, the control circuit fuse is on the center brace. For EDC and V-computer models, dual control circuit fuses (1 primary and 1 secondary) are in the control module. A decal identifies the fuse (or fuses) in each case, and provides the fuse rating appropriate to that specific model.

If the control circuit fuse has blown, replace with a fuse of the appropriate rating as identified by the decal. Call a qualified electrician if the replacement fuse blows.

# Installation

## Steam Requirements (Steam Heat Option Only)

	<b>WARNING</b>
Never touch internal or external steam pipes, connections, or components. These surfaces can be extremely hot and will cause severe burns. The steam must be turned off and the pipe, connections, and components allowed to cool before the pipe can be touched.	
SW014	

For machines equipped with optional steam heat, install piping in accordance with approved commercial steam practices. Steam requirements are shown in the table below.

<b>Cabinet Hardmount Steam Supply Information</b>	
Steam inlet connection size, in (mm)	1/2 (13)
Number of steam inlets	1
Recommended pressure, psi (bar)	30-80 (2.0-5.4)
Maximum pressure, psi (bar)	80 (5.4)

---

**Note:** Failure to install the steam filter may void the warranty.


---

# Installation

## Chemical Injection Supply System

Machines intended for use in on-premises laundries can be attached to an external liquid chemical injection supply system. See the Chemical Injection Supply System table in this subsection for more information.

Cabinet Hardmount Chemical Injection Supply System	
Number of dry supply compartments	3
Number of liquid supply connections	4 or 5*
Liquid supply connection size, in (mm)	5/16 (8)
*Only V-computer models have 5 supply connections.	

	<h3>WARNING</h3>
<p>Wear eye and hand protection when handling chemicals; always avoid direct contact with raw chemicals. Read the manufacturer's directions for accidental contact before handling chemicals. Ensure an eye-rinse facility and an emergency shower are within easy reach. Check at regular intervals for chemical leaks.</p>	
<small>SW016</small>	

Undiluted chemical dripping can damage the machine. Therefore, all chemical injection supply dispenser pumps should be mounted below the washer's injection point. All dispenser tubing should also run below the injection point. Loops do not prevent drips if these instructions are not followed. Failure to follow these instructions could damage the machine and void the warranty. Figure 39 shows a typical chemical injection supply system.

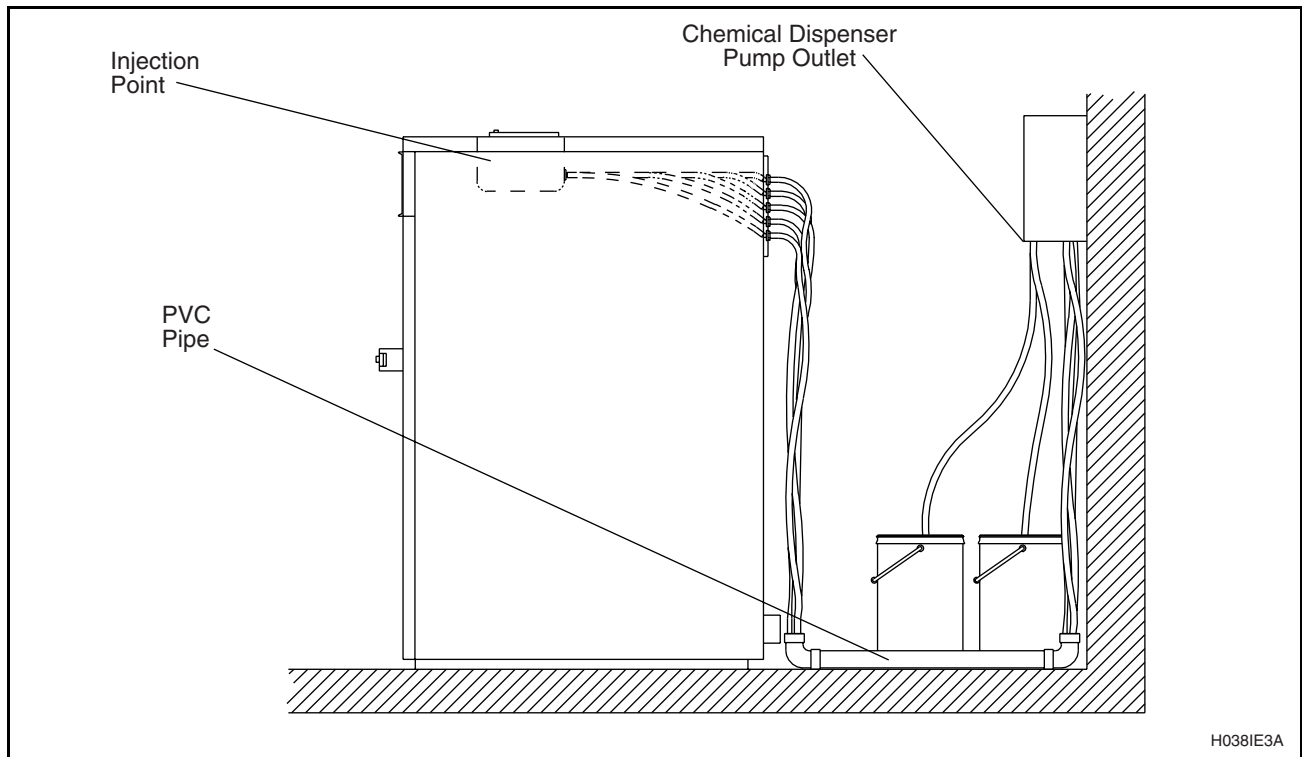


Figure 39

# Installation

## Chemical Injection Supply System (Continued)

Four hose barbs (five on V-computer models) on the rear of the machine facilitate connection to an external chemical injection supply system. The arrangement of the hose barbs will form either a straight line or a box. Figure 40 indicates which hose barb corresponds to which supply.

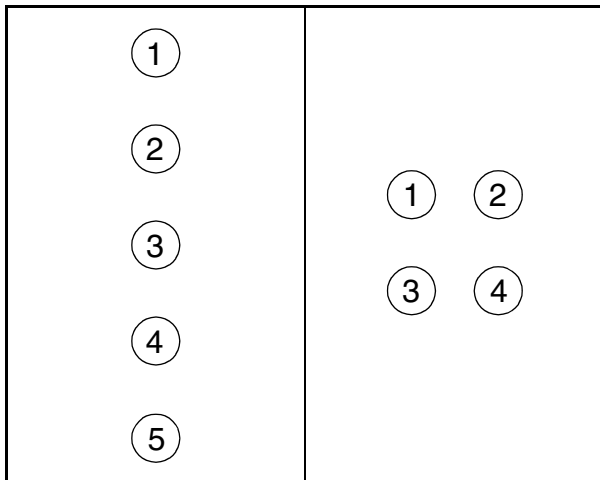


Figure 40

A terminal strip in the input power junction box provides supply output signals for the chemical injection supply system.

---

**Note:** Do not attempt to make chemical injection supply pump electrical connections to points other than those provided specifically for that purpose by the factory.

---

Machines connected to 200VAC provide L1 and L2 fused outputs rated at 3 amps which may be used to power 208 – 240VAC supply pumps.

Machines connected to 400VAC do not provide L1 and L2 outputs. An external power source must be provided to power the chemical supply pump.

Do not use L1 or L2 with the common line to deliver 120VAC to chemical injection supply pumps if the machine is equipped with a control transformer. The transformer will not be able to provide enough current to operate the control circuits and drive the chemical supply pumps.

	<b>CAUTION</b>
Attempting to obtain 110VAC by using L1 or L2 with the common may damage laundry machine circuitry and/or the chemical injection system. Using a 240VAC power wire in the washer-extractor and an earth ground to obtain 110VAC could cause microprocessor problems.	
<small>SW028</small>	

Consult the chemical injection supply system instructions for operational details. See Figures 41 through 47 for terminal strip decals.



# Installation

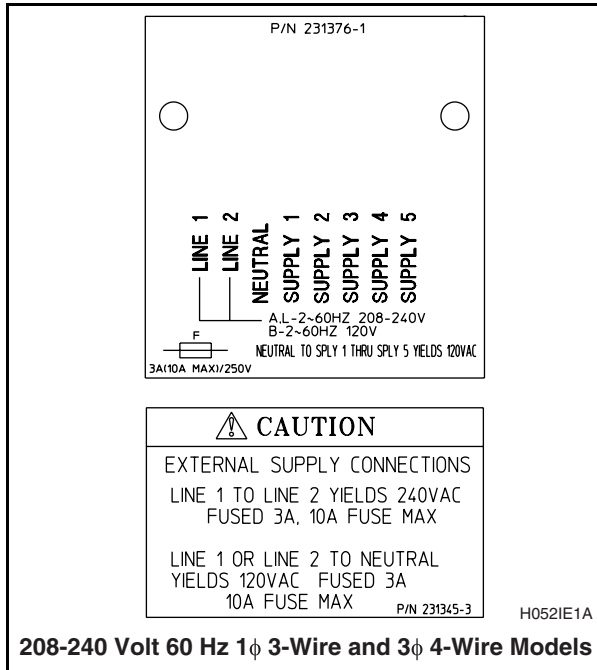


Figure 41

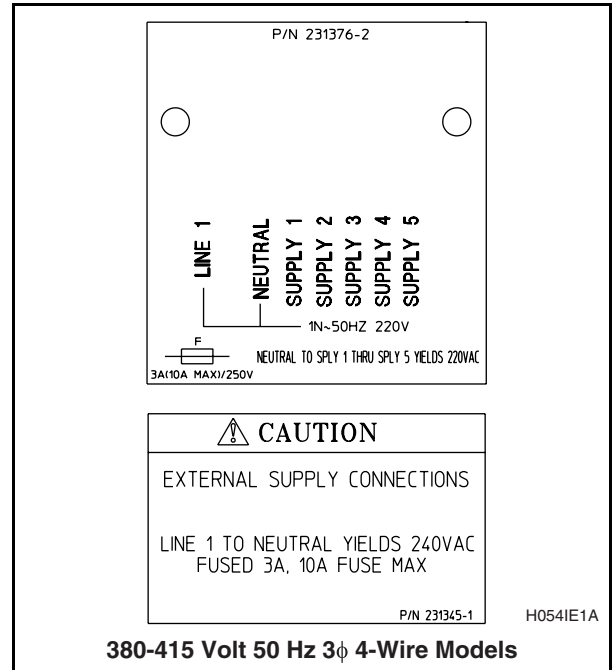


Figure 43

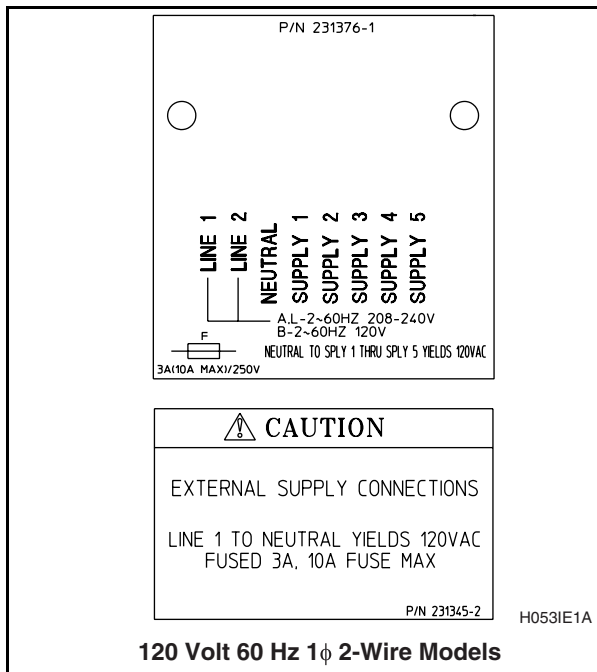


Figure 42

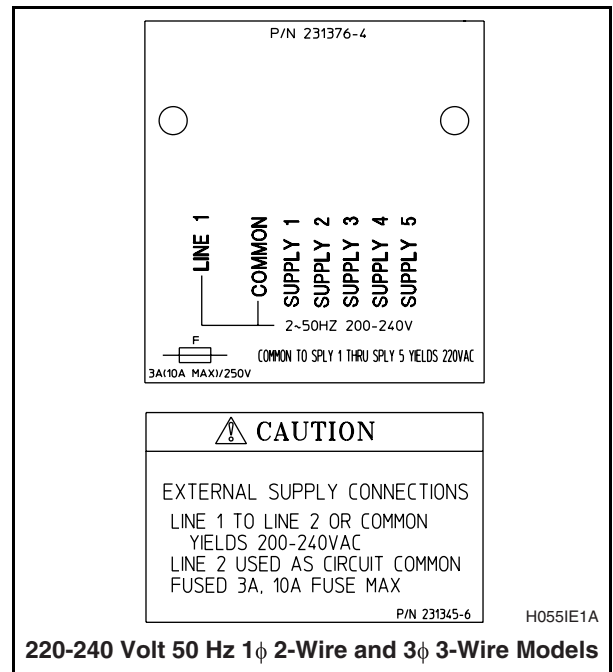


Figure 44

# Installation

## Chemical injection Supply System (Continued)

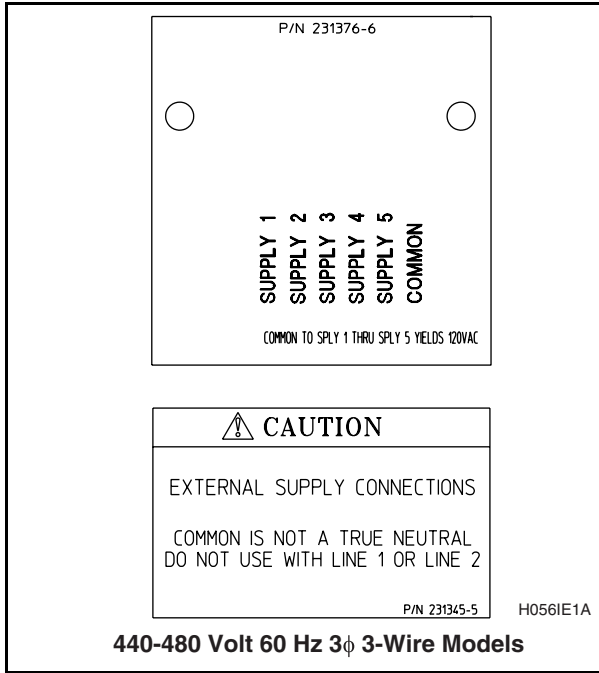


Figure 45

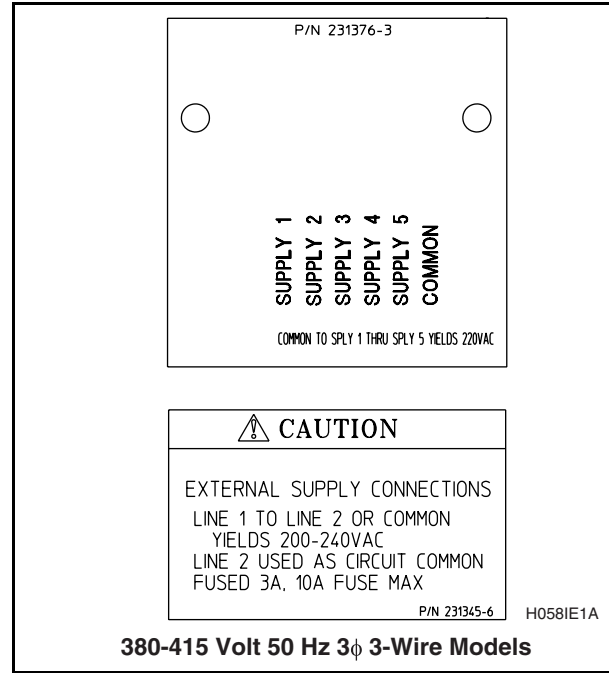


Figure 47

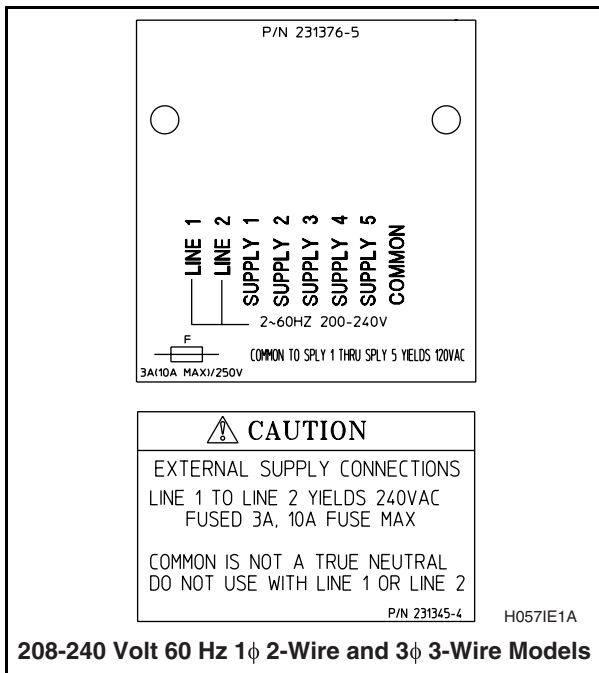


Figure 46

# Installation

## Control Function Test

The machine should be cleaned after the installation is complete. A function test should then be executed on the unloaded machine:

1. Check the power supply for such characteristics as correct voltage, phase, and cycles to be certain they are correct for the machine.
2. Open manual shut-off valves to the machine.
3. Turn on electric power.
4. Check the door interlock before starting operation:
  - a. Open the loading door.

For coin-operated machines, press the round button on the door handle and turn the door handle downward.

For machines intended for use in on-premises laundries, press and hold the door-unlock button on the left side of the control panel. Press the round button on the door handle and turn the door handle downward.
  - b. Attempt to start the machine with the door open. The machine should not start with the door open.
  - c. Close the door without locking it and attempt to start the machine. The machine should not start with the door unlocked.
  - d. Close and lock the door and start a cycle. Attempt to open the door while the cycle is in progress. The door should not open.

If the door lock and interlock are not functioning properly, call a service technician.

5. Run a complete cycle, checking operation of water inlet valves, drain, and extract functions.
6. Cylinder rotation must be counterclockwise in the extract step. If rotation is not counterclockwise in the extract step, disconnect power. For variable-speed models, have a qualified electrician reverse any two motor leads at the AC drive terminal block (terminals U, V, and W). See Figure 48. For 2-speed and 3-speed models, have a qualified electrician use the wiring diagram included with the machine to determine which input power leads should be switched.

# Installation

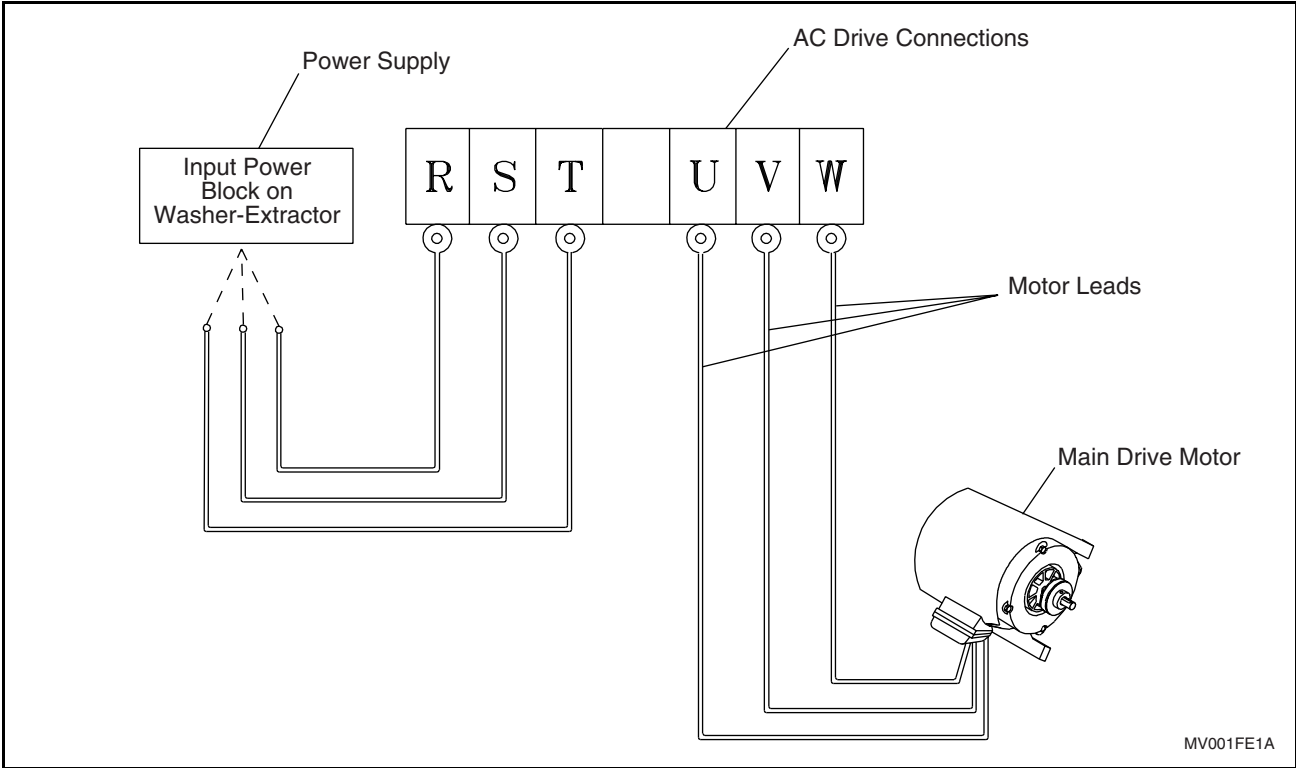


Figure 48

MV001FE1A


---


## Section 3

# Maintenance

---

Routine maintenance maximizes operating efficiency and minimizes downtime. The maintenance procedures described in this section will prolong the service life of the machine and help to prevent accidents.

	<b>WARNING</b>
Be careful when handling sheet-metal parts. Sharp edges can cause personal injury. Wear safety glasses and gloves, use the proper tools, and provide adequate lighting.	
<small>SW035</small>	

	<b>CAUTION</b>
Replace all panels that are removed to perform service and maintenance procedures. Do not operate the machine with missing guards or with broken or missing parts. Do not bypass any safety devices.	
<small>SW019</small>	

Daily, weekly, monthly, and quarterly checklists are provided at the end of this section. Laminate the checklists to preserve them for repeated copying. Operators and technicians are encouraged to add checks specific to their machine's particular application. Space is provided on the checklists for this purpose.

The following maintenance procedures must be performed regularly at the required intervals.

### Daily

#### Beginning of Day

1. Inspect water inlet valve hose connections on the back of the machine for leaks.
2. Inspect steam hose connections for leaks (where applicable).
3. Verify that insulation is intact on all external wires and that all connections are secure. If bare wire is evident, call a service technician.
4. Check door interlock before starting operation:
  - a. Attempt to start the washer with the door open. The washer should not start with the door open.
  - b. Close the door without locking it and attempt to start the washer. The washer should not start with the door unlocked.
  - c. Close and lock the door and start a cycle. Attempt to open the door while the cycle is in progress. The door should not open.

If the door lock and interlock are not functioning properly, call a service technician.

# Maintenance

## Daily (Continued)

### End of Day

1. Clean the door gasket of residual detergent and all foreign matter.
2. Clean automatic supply dispenser lid and general area. Flush dispenser with clean water.
3. Clean the washer's top, front, and side panels with mild detergent. Rinse with clean water.
4. Leave loading door open at the end of each day to allow moisture to evaporate.

---

**Note:** Unload the machine promptly *after each completed cycle* to prevent moisture buildup. Leave loading door open *after each completed cycle* to allow moisture to evaporate.

---

## Weekly

1. **For variable-speed models only**, clean the AC drive box filter(s) weekly or more frequently as needed:

---

**Note:** If fan filter service indicator light is on, fan filter must be cleaned immediately to prevent possible damage. Press thermostat button to reset indicator light.

---

- a. Open the top cover.
- b. Grasp the filter handle and pull straight up to remove filter.

- c. Wash the filter with warm water and allow filter to air-dry. As an alternative, the filter may be vacuumed clean.



### WARNING

The control module cover and fan filter must be in place for the fan to properly cool the AC inverter drive. Failure to observe this warning will void the warranty and could lead to expensive AC inverter drive repair.

SW038

2. Check the machine for leaks.
  - a. Start an unloaded cycle to fill the machine.
  - b. Verify that door and door gasket do not leak.
  - c. Verify that the drain valve is operating and that the drain system is free from obstruction. If water does not leak out during the prewash segment, the drain valve is closed and functioning properly.

## Monthly

---

**Note:** Disconnect power to the machine at its source before performing the monthly maintenance procedures.

---

1. **For 80-pound capacity models only**, lubricate bearings and seals each month OR after every 200 hours of operation. See Figure 49.
  - a. Use a premium-grade lithium-based #2 grease. Never mix two types of grease, such as petroleum and silicone.

# Maintenance

- b. Pump the grease gun slowly, permitting only the following number of strokes:
- Bearing grease fitting, 2 strokes
  - Seal grease fitting, 1 stroke

Do not pump the grease gun until grease comes out of the bearing housing. This can result in overlubrication, causing damage to bearings and seals.

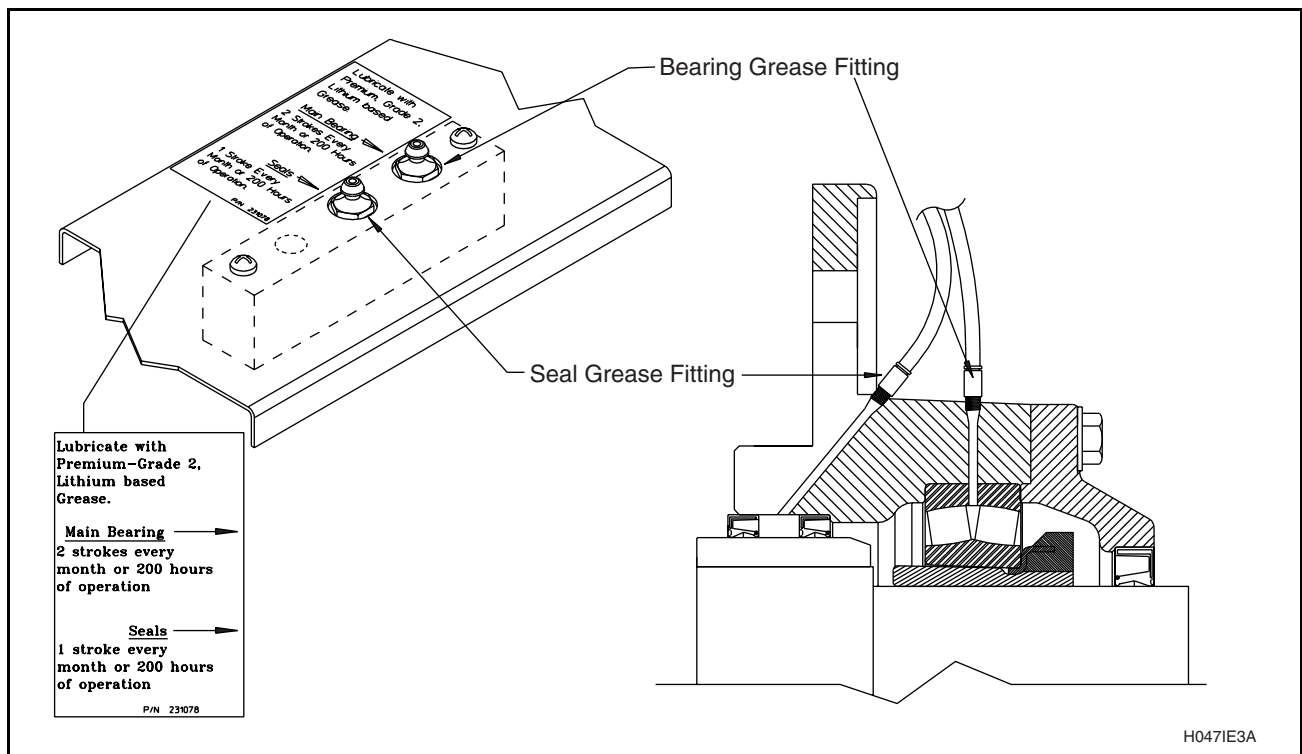


Figure 49

2. Use the following procedures to determine if V belt(s) require replacement or adjustment. Call a qualified service technician in either case.
- a. Check V belt(s) for uneven wear and frayed edges.
- b. For groove-pulley drive systems, verify alignment by placing a straightedge across both pulley faces. The straightedge should make contact with the pulleys in four places. See Figure 50.

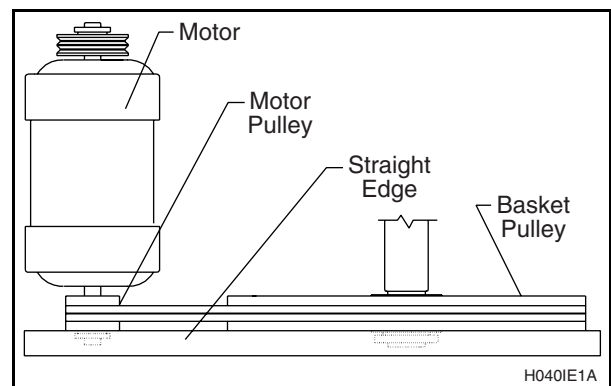


Figure 50

# Maintenance

## Monthly (Continued)

- c. For flat-pulley drive systems, verify allowable distance of belt from edge of pulley as shown in chart below:

Cabinet Hardmount Flat Pulley Alignment	
Model	Allowable Distance from Edge (in.)
18	3/32
27	3/32
35	3/32
50	3/8

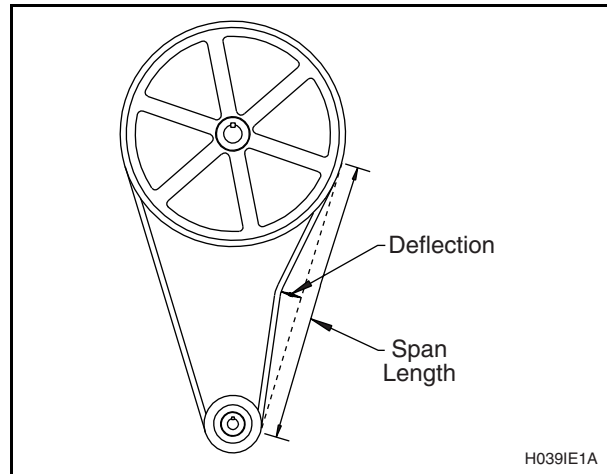


Figure 51

- d. For **3-speed and variable-speed models only**, verify that V belts are properly tensioned by applying a set force to the belt and measuring the deflection to determine the belt tension. See the tables below for the acceptable belt tension ranges. Belt tension measurements should be taken as close to the center of the belt span as possible. See Figure 51.

- Remove back panel and check overflow hose and drain hose for leaks.
- Unlock the hinged lid and check the supply dispenser hoses and hose connections.



# Maintenance

<b>Cabinet Hardmount Belt Tension Testing for 3-Speed Models</b>					
<b>Model</b>	<b>Voltage Code</b>	<b>Belt</b>	<b>Belt Span [in. (mm)]</b>	<b>Deflection Range [in. (mm)]</b>	<b>Force Min – Max [lbs. (N)]</b>
18	C, D	Motor-Basket	15.3 (389)	7/32 – 1/4 (5.6 – 6.4)	4.4 – 6.6 (19.6 – 29.4)
	A, F, O	Motor-Basket	15.6 (396)	7/32 – 1/4 (5.6 – 6.4)	3.5 – 5.5 (15.6 – 24.5)
35	C, D	Motor-Motor	16.6 (422)	1/4 – 9/32 (6.4 – 7.1)	4.4 – 6.6 (19.6 – 29.4)
		Motor-Basket	9.5 (241)	1/8 – 5/32 (3.2 – 4.0)	4.4 – 6.6 (19.6 – 29.4)
	A, F, O	Motor-Motor	16.9 (429)	1/4 – 9/32 (6.4 – 7.1)	3.5 – 5.5 (15.6 – 24.5)
		Motor-Basket	9.5 (241)	1/8 – 5/32 (3.2 – 4.0)	4.4 – 6.6 (19.6 – 29.4)
50	C, D	Motor-Motor	14.5 (368)	7/32 – 1/4 (5.6 – 6.4)	4.4 – 6.6 (19.6 – 29.4)
		Motor-Basket	9.7 (246)	1/8 – 5/32 (3.2 – 4.0)	3.8 – 5.6 (16.9 – 24.9)
	A, F, O	Motor-Motor	14.8 (376)	7/32 – 1/4 (5.6 – 6.4)	3.5 – 5.5 (15.6 – 24.5)
		Motor-Basket	9.7 (246)	1/8 – 5/32 (3.2 – 4.0)	3.8 – 5.6 (16.9 – 24.9)
80	C, D	Motor-Motor	15.9 (404)	7/32 – 1/4 (5.6 – 6.4)	7.1 – 9.1 (31.6 – 40.5)
		Motor-Basket	14.6 (371)	7/32 – 1/4 (5.6 – 6.4)	4.5 – 7.0 (20.0 – 31.2)
	A, F, O	Motor-Motor	16.3 (414)	1/4 – 9/32 (6.4 – 7.1)	4.5 – 7.0 (20.0 – 31.2)
		Motor-Basket	9.7 (246)	7/32 – 1/4 (5.6 – 6.4)	4.5 – 7.0 (20.0 – 31.2)

<b>Cabinet Hardmount Belt Tension Testing for Variable-Speed Models</b>				
<b>Model</b>	<b>Belt</b>	<b>Belt Span [in. (mm)]</b>	<b>Deflection Range [in. (mm)]</b>	<b>Force Min – Max [lbs. (N)]</b>
18	Motor-Basket	14.9 (377.8)	11/32 – 3/8 (8.7 – 9.5)	4.0 – 4.9 (18 – 22)
27	(Self-tensioning)			
35	Motor-Basket	16.9 (428)	5/16 – 11/32 (7.9 – 8.7)	6.1 – 7.4 (27 – 33)
50	Motor-Basket	16.8 (426)	9/32 – 5/16 (7.1 – 7.9)	6.1 – 7.4 (27 – 33)
80	Motor-Basket	22.1 (561)	15/32 – 1/2 (11.9 – 12.7)	4.9 – 7.3 (21.8 – 31.5)

# Maintenance

## Monthly (Continued)

5. Clean inlet hose filter screens:
  - a. Turn water off and allow valve to cool, if necessary.
  - b. Unscrew inlet hose and remove filter screen.
  - c. Clean with soapy water and reinstall. Replace if worn or damaged.
6. Tighten motor mounting bolt locknuts and bearing bolt locknuts, if necessary.
7. Use compressed air to clean lint from motor.
8. Clean interior of machine, both basket and shell, by wiping with a water-soaked sponge or cloth.
9. Use compressed air to ensure that all electrical components are free of moisture and dust.
10. **For variable-speed models only**, clean AC drive cooling fan blades monthly (more often if required by the condition of the air).
  - a. Open the top cover and remove the control module cover.
  - b. Gently wipe the fan blades clean with a dry cloth.

## Quarterly

---

**Note:** Disconnect power to the machine before performing the quarterly maintenance procedures.

---

1. Tighten door hinges and fasteners, if necessary.

2. Tighten anchor bolts, if necessary.
3. Verify that the drain motor shield is in place and secure.
4. Check all painted surfaces for bare metal. (Matching gray paint is available from the manufacturer.)
  - If bare metal is showing, paint with primer or solvent-based paint.
  - If rust appears, remove it with sandpaper or by chemical means. Then paint with primer or solvent-based paint.
5. Clean steam filter, where applicable. See Figure 52.
  - a. Turn off steam supply and allow time for the valve to cool.
  - b. Unscrew cap.
  - c. Remove element and clean.
  - d. Replace element and cap.

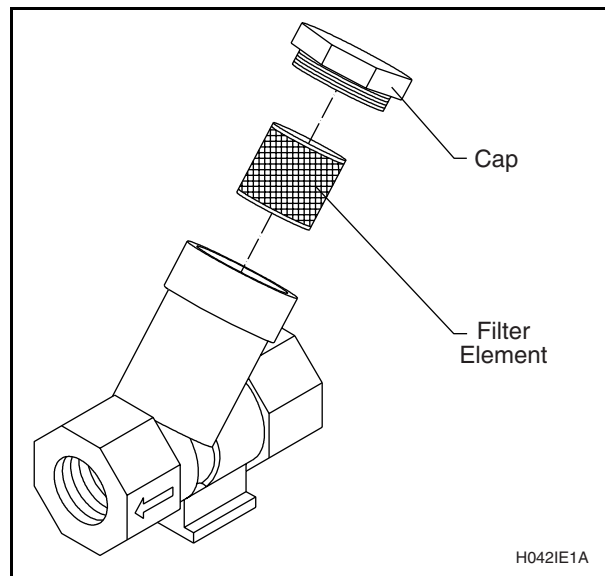


Figure 52

# Maintenance

## Care Of Stainless Steel

Maintain the natural beauty of stainless steel and prolong its service life by following these tips:

- Ordinary deposits of dirt and grease can be removed with detergent and water. The metal should be thoroughly rinsed and dried after washing. Periodic cleaning will help to maintain the bright surface appearance and prevent corrosion.
- Contact with dissimilar metals should be avoided whenever possible. This will help prevent galvanic corrosion when salty or acidic solutions are present.
- Salty or acidic solutions should not be allowed to evaporate and dry on stainless steel. They may cause corrosion. Ensure that the stainless steel is wiped clean of acidic solution residues.
- Deposits that adhere to the stainless steel should be removed, especially from crevices and corners. When using abrasive cleaners, always rub in the direction of the polish lines or “grain” of the stainless steel to avoid scratch marks. Never use ordinary steel wool or steel brushes on the stainless steel. Use stainless steel wool or soft non-metal bristle brushes.
- If the stainless steel appears to be rusting, the source of the rust may actually be an iron or steel part not made of stainless steel, such as a nail or screw. One remedy is to paint all carbon steel parts with a heavy protective coating. Stainless steel fasteners should be used whenever possible.
- Discolorations or heat tint from overheating may be removed by scouring with a powder or by employing special chemical solutions.
- Sanitizers or sterilizing solutions should not be left in stainless steel equipment for prolonged periods of time. They often contain chlorine, which may cause corrosion. The stainless steel should be cleaned and rinsed thoroughly of any solution containing chlorine.
- When an external chemical supply system is used, make certain that no siphoning of chemicals occurs when the washer-extractor is not in use. Highly concentrated chemicals can cause severe damage to stainless steel and other components within the machine. Damage of this kind is not covered by the manufacturer’s warranty. Locate the pump below the washer-extractor’s injection point to prevent siphoning of chemicals into the machine. See Figure 39 in the Installation section.

# Maintenance

## Daily Preventive Maintenance Checklist

Machine _____	Week Of: _____						
Operator _____	Days						
<b>Checks</b>	<b>1</b>	<b>2</b>	<b>3</b>	<b>4</b>	<b>5</b>	<b>6</b>	<b>7</b>
<b>Observe All Safety Warnings!</b>							
<b>Beginning of Day</b>							
1. Inspect water inlet valve hose connections on the back of the machine for leaks.							
2. Inspect steam hose connections for leaks (where applicable).							
3. Verify that insulation is intact on all external wires and that all connections are secure.							
4. Check door lock and interlock before starting operation:							
a. Attempt to start the washer with door open.							
b. Close the door without locking it and attempt to start the washer.							
c. Close and lock the door, start a cycle, and attempt to open the door while the cycle is in progress.							
5.							
<b>End of Day</b>							
1. Clean the door gasket of all foreign matter.							
2. Clean automatic supply dispenser and lid.							
3. Clean the washer's top, front, and side panels.							
4. Leave loading door open at the end of each day to allow moisture to evaporate.							
5.							
6.							
<p><b>Note:</b> Unload the machine promptly <i>after each completed cycle</i> to prevent moisture buildup.</p> <p><b>Note:</b> Leave loading door open <i>after each completed cycle</i> to allow moisture to evaporate.</p>							

# Maintenance

## Weekly Preventive Maintenance Checklist

Machine _____	Month _____				
Operator _____	Week Ending:				
Checks	/	/	/	/	/
<b>Observe All Safety Warnings!</b>					
1. <b>For variable-speed models only:</b> Clean AC drive box filter(s).					
2. Check the machine for leaks:					
a. Start an unloaded cycle to fill the machine.					
b. Verify that door and door gasket do not leak.					
c. Verify that the drain valve is operating.					
3.					
4.					
5.					
6.					
7.					
8.					

# Maintenance

## Monthly Preventive Maintenance Checklist

Machine _____	Month			
Operator _____				
Checks				
<b>Observe All Safety Warnings!</b> Disconnect power to the machine before performing the monthly maintenance procedures.				
1. <b>For 80-pound capacity models only: Each month OR after every 200 hours of operation</b> , lubricate bearings and seals.				
2. Determine if V belt(s) require replacement or adjustment:				
a. Check each V belt for uneven wear and frayed edges.				
b. Verify that each V belt is properly aligned.				
c. <b>For 3-speed models only:</b> Verify that each V belt is properly tensioned.				
3. Remove back panel and check hoses for leaks.				
4. Unlock the hinged lid and check supply dispenser hoses and connections.				
5. Clean inlet hose filter screens. Replace if worn or damaged.				
6. Tighten motor mounting bolt locknuts and bearing bolt locknuts, if necessary.				
7. Use compressed air to clean lint from motor.				
8. Clean interior of machine, both basket and shell, by wiping with a water-soaked sponge or cloth.				
9. Use compressed air to clean moisture and dust from all electrical components.				
10. <b>For variable-speed machines only:</b> Clean AC drive cooling fan blades with a dry cloth.				
11.				
12.				
13.				
14.				

# Maintenance

## Quarterly Preventive Maintenance Checklist

Machine _____	<b>Quarter</b>			
Operator _____				
<b>Checks</b>				
<b>Observe All Safety Warnings!</b> Disconnect power to the machine before performing the quarterly maintenance procedures.				
1. Tighten door hinges and fasteners, if necessary.				
2. Tighten anchor bolts, if necessary.				
3. Verify that the drain motor shield is in place and secure.				
4. Check all painted surfaces for bare metal. Repair, if necessary.				
5. Clean steam filter, where applicable.				
6.				
7.				
8.				
9.				
10.				
11.				
12.				
13.				
14.				
15.				





---

## Section 4

# Removal from Service

---

### Decommissioning

In the event that the machine must be decommissioned, follow these steps:

1. Clean interior of machine, both basket and shell.
  - a. Flush supply system with water.
  - b. Run a short rinse cycle to clean detergent and chemical residues from the interior of the machine.
2. Disconnect electrical power.
  - a. Shut off main power supply at the breaker box or main control panel.
  - b. Have a qualified electrician disconnect power to the machine at its source.
3. Disconnect hoses.
  - a. Disconnect drain hose from sump, gutter, or drain.
  - b. Turn off water supply. Disconnect individual hot and cold water inlet hoses from the machine.
  - c. Allow time for residual water in the machine to drain. Then disconnect drain hose from the machine.
4. Disconnect steam hoses, if applicable.
  - a. Turn off steam supply and allow time for the valves to cool.
  - b. Disconnect steam hoses from machine.
5. Remove the machine from its foundation pad.
  - a. Keep all panels in place to provide stability when moving the machine.
  - b. Verify that door is closed and secure.
  - c. Loosen and remove the mounting bolts.
  - d. Break the grout seal at each corner of the machine, using a crowbar.
  - e. Use crowbars at the front corners to lift the machine a few inches so that the forks of a forklift truck can reach under the machine.
  - f. Bolting the base frame to a pallet will facilitate removal to a transport vehicle.



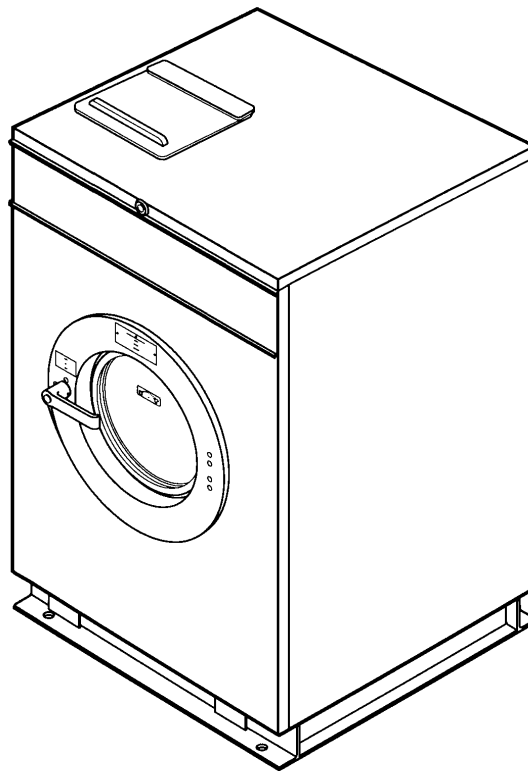
# Lavadora extractora

cilíndrica de montaje  
permanente en gabinete  
2 velocidades, 3 velocidades  
y velocidad variable

## Números de modelo

HC18	SC18	UC18
HC25	SC25	UC25
HC27	SC27	UC27
HC35	SC35	UC35
HC50	SC50	UC50
HC80	SC80	UC80

(lista completa de números de modelo dentro del manual)



**Tabla de números de modelo**

HC18EC2	HC35MD2	SC18MC3	SC27SN2	SC50MN3	UC18PN3	UC35VNV
HC18MC2	HC35MH2	SC18MD2	SC27VN2	SC50MV2	UC18VN2	UC50MC2
HC18MD2	HC35MN2	SC18MD3	SC27VNV	SC50MV3	UC18VNV	UC50MC3
HC18MH2	HC35MV2	SC18MH2	SC35EC2	SC50SN2	UC25MC2	UC50MD2
HC18MN2	HC35PC2	SC18MH3	SC35EP2	SC50VN2	UC25MD2	UC50MD3
HC18MV2	HC35SN2	SC18MN2	SC35MC2	SC50VNV	UC25MH2	UC50MH2
HC18PC2	HC35VC2	SC18MN3	SC35MC3	SC80ECV	UC25MN2	UC50MH3
HC18SN2	HC50EC2	SC18MV2	SC35MD2	SC80EPV	UC25MV2	UC50MN2
HC18VC2	HC50MC2	SC18MV3	SC35MD3	SC80MC3	UC25PC2	UC50MN3
HC25EC2	HC50MD2	SC18SN2	SC35MH2	SC80MD3	UC25PN2	UC50MV2
HC25MC2	HC50MH2	SC18SN3	SC35MH3	SC80MH3	UC27MN2	UC50MV3
HC25MD2	HC50MN2	SC18VN2	SC35MN2	SC80MN3	UC27PN2	UC50PC2
HC25MH2	HC50MV2	SC18VNV	SC35MN3	SC80MV3	UC27VN2	UC50PC3
HC25MN2	HC50PC2	SC25EC2	SC35MV2	SC80SN3	UC35MC2	UC50PN2
HC25MV2	HC50SN2	SC25EP2	SC35MV3	SC80VNV	UC35MC3	UC50PN3
HC25PC2	HC50VC2	SC25MC2	SC35SN2	UC18MC2	UC35MD2	UC50VN2
HC25SN2	HC80MC3	SC25MD2	SC35SN3	UC18MC3	UC35MD3	UC50VNV
HC25VC2	HC80MD3	SC25MH2	SC35VN2	UC18MD2	UC35MH2	UC80MC3
HC27EC2	HC80MH3	SC25MN2	SC35VNV	UC18MD3	UC35MH3	UC80MD3
HC27MC2	HC80MN3	SC25MV2	SC50EC2	UC18MH2	UC35MN2	UC80MH3
HC27MD2	HC80MV3	SC25SN2	SC50EP2	UC18MH3	UC35MN3	UC80MN3
HC27MH2	HC80PC3	SC27EC2	SC50MC2	UC18MN2	UC35MV2	UC80MV3
HC27MN2	HC80SN3	SC27EP2	SC50MC3	UC18MN3	UC35MV3	UC80PC3
HC27MV2	HC80VCV	SC27MC2	SC50MD2	UC18MV2	UC35PC2	UC80PN3
HC27SN2	HC80VNV	SC27MD2	SC50MD3	UC18MV3	UC35PC3	UC80VNV
HC27VC2	SC18EC2	SC27MH2	SC50MH2	UC18PC2	UC35PN2	
HC35EC2	SC18EP2	SC27MN2	SC50MH3	UC18PC3	UC35PN3	
HC35MC2	SC18MC2	SC27MV2	SC50MN2	UC18PN2	UC35VN2	

---

## Contenido

# Instalación/Mantenimiento

---

### Seguridad

Descripción de los símbolos .....	78
Ubicación de las calcomanías de seguridad .....	79
Seguridad del operador .....	80
Medio ambiente donde usar la máquina sin peligro .....	81
Condiciones ambientales .....	81
Ubicación de la máquina .....	82
Servicios de entrada y salida .....	82
Mando inversor de CA .....	83
Uso incorrecto .....	84

### Instalación

Información general de la máquina .....	85
Inspección al recibir la máquina .....	86
Servicio a los clientes .....	86
Guía de familiarización con los números de modelo .....	87
Especificaciones generales .....	88
Dimensiones de la máquina .....	94
Espacios libres .....	101
Cimientos para la máquina .....	103
Instalación mecánica .....	105
Instalación de pernos de expansión .....	105
Instalación de bastidor de base elevada .....	107
Instalación de pernos en J .....	109
Plataforma de cimiento de concreto .....	113

Conexión del desagüe .....	116
Conexión de agua .....	118
Instalación eléctrica .....	119
Requisitos de vapor (Sólo para la opción de calor por vapor) .....	127
Sistema de suministro por inyección de productos químicos .....	128
Prueba de función de control .....	133

### Mantenimiento

Diariamente .....	135
Al comienzo del día .....	135
Al final del día .....	136
Semanalmente .....	136
Mensualmente .....	136
Trimestralmente .....	140
Cuidados al acero inoxidable .....	141
Listas de revisión .....	142

### Para poner fuera de servicio

Para poner fuera de servicio .....	147
------------------------------------	-----

© Copyright 1999 Alliance Laundry Systems LLC

Reservados todos los derechos. Ninguna sección del presente manual puede ser reproducida o transmitida en forma alguna o a través de ningún medio sin el expreso consentimiento por escrito del editor.

---


## Sección 1


# Seguridad


---


Cualquier persona que use o que dé servicio a esta máquina debe cumplir con las reglas de seguridad que incluimos en este manual. Se debe prestar atención especial a los avisos de **PELIGRO, ADVERTENCIA y PRECAUCIÓN** que aparecen en todo el manual.

Los siguientes avisos de seguridad son ejemplos generales que se aplican a esta máquina. Las advertencias específicas a una instalación o a algún procedimiento de mantenimiento en particular aparecen en el manual con la explicación de tal procedimiento.


	<b>PRECAUCIÓN</b>
Tenga cuidado cuando esté cerca de la puerta abierta, especialmente cuando cargue la ropa desde un nivel más bajo de la puerta. Si se llegara a golpear contra la orilla de la puerta podría sufrir lesiones personales.	
SW025	


	<b>PELIGRO</b>
Si algún niño se queda atrapado dentro de la máquina puede sufrir lesiones graves o hasta la muerte. No permita que los niños jueguen en o cerca de esta máquina. No deje de prestar atención a los niños mientras la puerta de esta máquina esté abierta.	
SW001	

	<b>ADVERTENCIA</b>
Hay voltajes peligrosos en las cajas de control eléctrico y en las conexiones del motor. Sólo el personal capacitado para realizar procedimientos de pruebas eléctricas y conocedor del equipo de pruebas y de las precauciones de seguridad debe intentar hacer ajustes y reparar averías. Desconecte la corriente eléctrica de la máquina antes de quitar la cubierta de la caja de control eléctrico y de intentar realizar los procedimientos de servicio.	
SW005	

	<b>ADVERTENCIA</b>
Sólo personal capacitado de mantenimiento eléctrico debe instalar, ajustar y dar mantenimiento a esta máquina. Este personal debe estar familiarizado con la construcción y el funcionamiento de este tipo de maquinaria y con los peligros potenciales que presenta. Si no se cumple con esta advertencia, pueden ocasionarse lesiones personales y/o daños al equipo y podría anularse la garantía.	
SW004	

# Seguridad

	<b>PRECAUCIÓN</b>
<p>Asegúrese de que esta máquina sea instalada sobre un piso nivelado con la suficiente resistencia y de que se mantengan los espacios libres necesarios para la inspección y el mantenimiento. Nunca permita que el espacio para inspección y mantenimiento quede bloqueado.</p>	
<small>SW020</small>	

	<b>ADVERTENCIA</b>
<p>Nunca toque tuberías, conexiones o componentes internos o externos de vapor. Estas superficies pueden estar demasiado calientes y pueden causar quemaduras graves. Es necesario cerrar el vapor y dejar enfriar las tuberías, las conexiones y los componentes antes de tocarlos.</p>	
<small>SW014</small>	

---

## Descripción de los símbolos



El rayo con punta de flecha dentro del triángulo es un signo de advertencia que indica la presencia de voltaje peligroso.



El signo de admiración dentro del triángulo es un símbolo de advertencia que indica que existen importantes instrucciones acerca de la máquina y condiciones potencialmente peligrosas.



Este símbolo de advertencia indica que hay mecanismos de transmisión (mando) potencialmente peligrosos dentro de la máquina. Los protectores siempre deben estar en su lugar cuando la máquina esté funcionando.



Este símbolo de advertencia indica la presencia de productos químicos posiblemente peligrosos. Deben tomarse precauciones adecuadas al manejar materiales corrosivos o cáusticos.



Este símbolo de advertencia indica que existen superficies calientes que podrían causar graves quemaduras. El acero inoxidable y las líneas de vapor pueden ponerse demasiado calientes y no deben ser tocadas.



Este símbolo de advertencia indica que hay puntos de agarre potencialmente peligrosos. Las piezas mecánicas móviles pueden aplastar y/o cortar partes del cuerpo.



# Seguridad

Hay calcomanías de seguridad en lugares importantes de la máquina. Si las calcomanías no se mantienen de tal forma que se puedan

leer, los operadores o técnicos de servicio pueden sufrir lesiones.

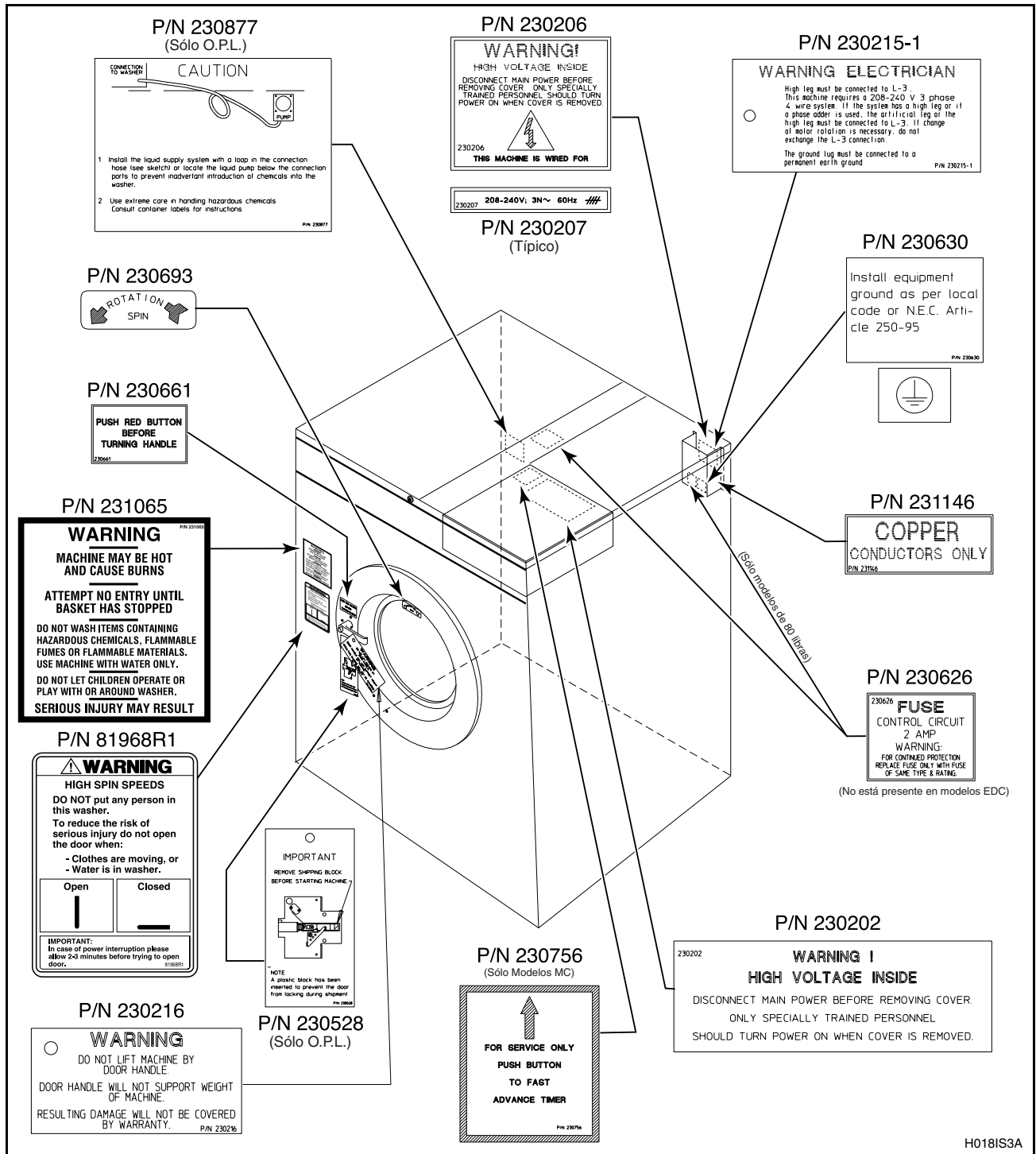



Figura 1

# Seguridad

Para ofrecer seguridad personal y mantener la máquina funcionando correctamente, cumpla con todos los procedimientos de mantenimiento y seguridad que aparecen en este manual. Si tiene alguna pregunta concerniente a la seguridad, de inmediato póngase en contacto con el fabricante.

Use piezas de repuesto autorizadas por el fabricante de esta máquina para evitar situaciones peligrosas.

## Seguridad del operador

	<b>ADVERTENCIA</b>
NUNCA meta las manos ni objetos dentro de la unidad de la canasta hasta que ésta se haya detenido por completo. Hacerlo podría ocasionar graves lesiones.	
SW012	

Por la seguridad de los operadores de la máquina, cumpla con los puntos de revisión diaria de mantenimiento:


1. Antes de usar la máquina, verifique que todos los avisos de seguridad estén visibles y en su lugar. Los avisos que falten o que no se puedan leer deben ser reemplazados de inmediato. Asegúrese de contar con avisos de repuesto.
2. Revise el sistema de enclavamiento de la puerta antes de usar la máquina:
  - a. Trate de arrancar la máquina con la puerta abierta. La máquina no debe arrancar si la puerta está abierta.
  - b. Cierra la puerta sin ponerle el seguro e intente arrancar la máquina. La máquina no debe arrancar si la puerta no está asegurada.

- c. Cierre y ponga el seguro a la puerta y comience el ciclo. Intente abrir la puerta mientras el ciclo está funcionando. No debe ser posible abrir la puerta.

Si el seguro y el sistema de enclavamiento de la puerta no funcionan correctamente, llame a un técnico de servicio.

3. No intente usar la máquina si se presenta cualquiera de las siguientes situaciones:
  - a. La puerta no permanece asegurada durante todo el ciclo.
  - b. Es evidente que el nivel de agua es demasiado alto.
  - c. La máquina no está conectada a un circuito correctamente conectado a tierra.

No evite ninguno de los dispositivos de seguridad de la máquina.

	<b>ADVERTENCIA</b>
Nunca use la máquina si el sistema de balance está desconectado o evitado. Al usar la máquina con cargas muy desequilibradas pueden ocasionarse graves lesiones personales y serios daños al equipo.	
SW039	

## Medio ambiente donde usar la máquina sin peligro

Para que la máquina funcione sin peligro es necesario que el medio ambiente sea adecuado tanto para el operador como para la máquina. Si tiene alguna pregunta concerniente a la seguridad, de inmediato póngase en contacto con el fabricante.

### Condiciones ambientales

- *Temperatura ambiente.* El agua en la máquina se congela a temperaturas inferiores a 0°C (32°F).

A temperaturas superiores a 50°C (120°F) el motor se sobrecalienta más frecuentemente y, en algunos casos, los dispositivos de estado sólido que se usan en algunos modelos pueden fallar o dañarse prematuramente. Es posible que sea necesario instalar dispositivos especiales de enfriamiento.


Los interruptores de presión de agua pueden resultar afectados por los aumentos y las disminuciones en la temperatura. Cada cambio de 10°C (25°F) en temperatura tendrá un efecto de 1% en el nivel de agua.

- *Humedad.* La humedad relativa superior al 90% puede hacer que el sistema electrónico o que los motores fallen y puede accionar el interruptor de falla en la conexión a tierra. También pueden presentarse problemas de corrosión en algunos componentes metálicos de la máquina.

Si la humedad relativa es menor al 30%, las correas y las mangueras de goma (caucho) pueden secarse. Esta condición

puede ocasionar fugas en las mangueras, lo que puede presentar peligros externos a la máquina y al equipo eléctrico adyacente.

- *Ventilación.* Es necesario evaluar periódicamente la necesidad de contar con aire de reemplazo en la lavandería para los equipos como secadoras, planchadoras, calentadores de agua, etc. Los reguladores de tiro (persianas), las mallas y otros dispositivos pueden reducir significativamente el aire disponible que entra por las aberturas.
- *Emisiones de frecuencia de radio.* Existe un filtro disponible para máquinas instaladas en lugares donde éstas comparten el área con equipo sensible a emisiones de frecuencia de radio.
- *Elevación.* Si la máquina va a ser usada a elevaciones sobre los 1.000 metros (3.280 pies) sobre el nivel del mar, ponga especial atención a los niveles de agua y a los ajustes electrónicos (particularmente la temperatura), ya que de lo contrario es posible que no obtenga buenos resultados.
- *Productos químicos.* No permita que queden residuos de productos químicos sobre las superficies de acero inoxidable.

	<b>PELIGRO</b>
No coloque fluidos volátiles ni inflamables en ninguna máquina. No limpie la máquina con fluidos volátiles ni inflamables tales como acetona, adelgazadores de lacas, reductores de esmaltes, tetracloruro de carbono, gasolina, benceno, naftaleno, etc. Si lo hace puede causar graves lesiones personales y/o daños a la máquina.	
SW002	

# Seguridad

## Medio ambiente donde usar la máquina sin peligro (continuación)

- *Daños causados por agua.* No rocíe la máquina con agua. Pueden ocasionarse cortos circuitos y daños considerables. Repare de inmediato las fugas debidas a empaques desgastados o dañados.

### Ubicación de la máquina

- *Cimentación.* El piso de concreto debe tener la resistencia y el espesor necesarios para soportar cargas generadas por las altas velocidades de extracción de la máquina.
- *Espacio para servicio y mantenimiento.* Deje suficiente espacio para realizar procedimientos de servicio y mantenimiento de rutina.

Esto es especialmente importante en relación con máquinas equipadas con un mando inversor de CA.

Consulte las instrucciones de instalación para obtener detalles específicos.



## PRECAUCIÓN

Vuelva a colocar todos los paneles que haya quitado al realizar los procedimientos de servicio y mantenimiento. No use la máquina si no tiene instalados todos los protectores ni si tiene piezas descompuestas o si le faltan piezas. No evite ningún dispositivo de seguridad.

SW019

## Servicios de entrada y salida


- *Presión de agua.* Se obtiene el mejor rendimiento si el agua se suministra a una presión entre 2,0 y 5,7 Barías (30 y 85 psi). Aunque la máquina funciona correctamente a presiones menores, se tarda más en llenar. A presiones mayores de 6,7 Barías (100 psi) las tuberías de la máquina pueden sufrir daños, ciertos componentes pueden fallar y pueden ocasionarse graves lesiones personales.
- *Presión de vapor (opcional).* Se obtiene el mejor rendimiento si el vapor se suministra a una presión entre 2,0 y 5,4 Barías (30 y 80 psi). A presiones mayores de 8,5 Barías (125 psi) los componentes de vapor pueden sufrir daños y pueden ocasionarse graves lesiones personales.

En el caso de máquinas equipadas con calor de vapor opcional, instale tubería que cumpla con las normas comerciales para vapor. Si no se instala el filtro para línea de vapor que adjuntamos se anula la garantía.

- *Aire comprimido.* En el caso de máquinas que requieren servicio de aire comprimido, se obtiene un mejor rendimiento si el aire se suministra a una presión entre 5,4 y 6,7 Barías (80 y 100 psi).
- *Sistema de desagüe.* Instale líneas de desagüe o canaletas lo suficientemente grandes para el número total de galones que podrían desaguar si todas las máquinas instaladas en ese lugar se desaguaran al mismo tiempo desde el nivel más alto de agua posible. Si usa canaletas, éstas deben estar cubiertas de tal forma que soporten tráfico ligero a pie.

# Seguridad

- **Potencia.** Por su seguridad personal y para obtener un funcionamiento correcto, la máquina debe estar conectada a tierra de acuerdo a las normas estatales y locales. La conexión a tierra debe ser hecha a una conexión real a tierra, no a un conducto ni a tuberías de agua. No use fusibles para reemplazar el interruptor de circuito. También debe instalarse un interruptor de corte de corriente en algún lugar accesible.

	<b>ADVERTENCIA</b>
Asegúrese de conectar a tierra a partir de una conexión tierra adecuada a la orejeta terminal de conexión a tierra cerca del bloque de suministro de corriente de esta máquina. Si no se conecta a tierra correctamente, se pueden ocasionar lesiones personales debidas a descargas eléctricas y la máquina puede fallar.	
SW008	

Siempre desconecte el suministro de corriente eléctrica y de agua antes de que un técnico de servicio lleve a cabo cualquier procedimiento de servicio. Cuando corresponda, el suministro de vapor y/o de aire comprimido también deben ser desconectados antes de realizar el servicio.

## Mando inversor de CA

Las máquinas equipadas con un mando inversor de CA requieren atención especial con respecto al medio ambiente.

- En los lugares donde hay demasiado polvo o pelusa es necesario limpiar más frecuentemente el filtro del ventilador de enfriamiento del mando inversor de CA y el mando en sí.
- Las fluctuaciones de corriente eléctrica de fuentes tales como suministros de potencia ininterrumpibles (UPS) pueden afectar adversamente las máquinas equipadas con un mando inversor de CA. Se deben utilizar dispositivos apropiados de supresión en la potencia de suministro a la máquina, para evitar problemas.
- Un suministro de energía sin picos de voltaje y sin sobrevoltajes momentáneos es absolutamente esencial para las máquinas equipadas con el mando inversor de CA. Las inconsistencias no lineales (picos y valles) en el suministro de energía pueden causar que el mando inversor de CA genere errores de interferencia.  
  
Si el voltaje está por encima de los 230V en instalaciones para 200V, o sobre 440V en instalaciones para 400V, se recomienda utilizar un transformador reductor-elevador. Si el voltaje es mayor de 240 ó 480V, se requiere un transformador reductor-elevador.
- Es especialmente importante contar con espacio suficiente para llevar a cabo los procedimientos de servicio y de mantenimiento de rutina en las máquinas equipadas con un mando inversor de CA.

# Seguridad

## Uso incorrecto

Nunca use esta máquina con otro propósito que no sea lavar tela.

- Nunca lave trapos remojados en petróleo en la máquina. Esto puede ocasionar una explosión.
- Nunca lave piezas de maquinaria o de automóviles en la máquina. Esto puede dañar seriamente la canasta.
- Nunca permita que los niños jueguen en o cerca de esta máquina. Si algún niño queda atrapado dentro de la máquina pueden sufrir lesiones de gravedad o morir. No deje de prestar atención a los niños mientras la puerta de esta máquina esté abierta. Estas precauciones también se aplican a los animales.

---

## Sección 2

# Instalación

---

Este manual está diseñado como guía para la instalación y el mantenimiento de las lavadoras extractoras de montaje permanente en gabinete con capacidades de 18, 25, 27, 35, 50 y 80 libras.

### Información general de la máquina

El diseño de esta máquina enfatiza la confiabilidad en el rendimiento y una larga vida de servicio.

En los modelos de lavadora extractora de hasta 50 libras de capacidad, el cilindro está soportado por dos rodamientos sellados, montados en un soporte giratorio de hierro fundido. En los modelos de 80 libras de capacidad, el montaje del cilindro y el eje está soportado mediante dos conjuntos de rodamientos de rodillos. Los alojamientos de rodamientos están sujetos mediante pernos a un bastidor gamma pesado.

Las máquinas de dos velocidades utilizan un motor de dos velocidades para mover el cilindro mediante la correa de transmisión en V en las velocidades de lavado y de extracción.

Los modelos de 18 libras y tres velocidades utilizan un motor de tres velocidades para mover el cilindro a las velocidades de lavado, mediana y alta extracción. Los modelos de tres velocidades y 35, 50 y 80 libras utilizan un motor de una sola velocidad y uno de dos

velocidades para mover el cilindro a las velocidades de lavado, mediana y alta extracción.

Las lavadoras extractoras controladas por mando de CA utilizan un motor para mover el cilindro. En todos los modelos excepto el de 80 libras de capacidad, el movimiento del motor se transmite mediante una correa plana. La máquina de 80 libras utiliza para la transmisión tres correas en V.

Un sistema de cierre de seguridad evita que la puerta de acero inoxidable se abra durante un ciclo. También impide el funcionamiento de la lavadora extractora cuando la puerta está abierta.

Se emplea una válvula de desagüe para retener el agua y la solución de lavado en la máquina durante los pasos de lavado y enjuague. La válvula de desagüe se cierra al aplicarse la energía y se abre al desconectarse la misma, lo cual permite descargar el agua de la máquina en caso de una falla en el suministro de energía eléctrica.

El diseño del cilindro incorpora unos elevadores o costillas que sacan los artículos que se están lavando de la solución de lavado cuando el cilindro está girando a baja velocidad y permiten que vuelvan a caer en la solución. El cilindro está perforado a fin de dejar pasar el agua durante los procesos de lavado y extracción.

# Instalación

## Información general de la máquina (continuación)

Los controles eléctricos de la máquina se alojan en un gabinete separado que está ubicado debajo de la cubierta superior de la máquina.

El surtidor de suministro de polipropileno está localizado debajo de una cubierta flexible por el lado izquierdo de la máquina (vista por el frente). Los compartimientos de suministro están numerados del 1 al 3, comenzando por el lado izquierdo de la máquina. El suministro en polvo sale mezclado con agua a través de una boquilla a los intervalos correspondientes del ciclo.

Los suministros líquidos pueden ser inyectados directamente en los compartimientos de suministro mediante un sistema de suministro de productos químicos externo instalado por el cliente. Las bocas de conexión de mangueras ubicadas en la parte posterior de la máquina facilitan la conexión a un sistema de suministro de productos químicos externo. Las señales de control se proporcionan a través de una tira de conexiones ubicada en la caja de la alimentación de entrada.

## Inspección al recibir la máquina

Al recibir su equipo, revise visualmente la caja, la cubierta protectora y la unidad para determinar si existen daños visibles. Si la caja, la cubierta o la unidad están dañadas o tienen señales evidentes de posible daños, pida al transportista que anote esta condición en los documentos de transporte antes de que usted

firmo de recibido, o avise al transportista que existe un problema en cuanto lo detecte.

Quite la caja y la cubierta protectora tan pronto como le sea posible después de recibir su máquina. Si descubre algún daño al quitar la caja o la cubierta protectora, avísele al transportista y haga de inmediato una reclamación por escrito.

## Servicio a los clientes

Si necesita refacciones o documentos, llame al lugar donde haya adquirido su lavadora extractora o póngase en contacto con Alliance Laundry Systems LLC al teléfono (920) 748-3950 para obtener el nombre y dirección de su distribuidor autorizado de refacciones más cercano.

Para obtener asistencia técnica, llame a cualquiera de los siguientes números:

(850) 718-1035  
(850) 718-1026  
Marianna, Florida

(920) 748-3121  
Ripon, Wisconsin

El fabricante mantiene un registro de cada una de las lavadoras extractoras con sus correspondientes números de serie. La calcomanía que contiene el número de serie se encuentra en la parte de atrás de la máquina. Vea la Figura 2. Siempre proporcione el número de serie y el número de modelo de su máquina cuando haga pedidos de piezas o cuando solicite ayuda técnica.



# Instalación

Guía de familiarización con los números de modelo		
Ejemplo de número de modelo: <b>SC35MN2CU20001</b>		
<b>SC</b>	Tipo de máquina	C = Gabinete
<b>35</b>	Capacidad de la máquina (libras de peso en seco)	
<b>M</b> <b>(E)</b> <b>(P)</b> <b>(S)</b> <b>(V)</b>	Tipo de control eléctrico	M = Temporizador mecánico E = Computadora MX/EDC P = Computadora serie P † S = Computadora serie S V = Computadora serie V
<b>N</b> <b>(C)</b> <b>(D)</b> <b>(H)</b> <b>(V)</b>	Contador de monedas (opcional)	N = Sin contador de monedas C = W2000 (sólo modelos controlados por computadora)‡ D = Digital (sólo modelos con temporizador mecánico) H = Deslizamiento horizontal (sólo modelos con temporizador mecánico) V = Caída vertical (sólo modelos con temporizador mecánico)
<b>2</b> <b>(3)</b> <b>(V)</b>	Velocidad	2 = 2 velocidades 3 = 3 velocidades V = velocidad variable
<b>C</b>	Características eléctricas	Vea la tabla de designación de voltajes en esta sección.
<b>U2</b>	Serie de diseño	
<b>0001</b>	Identificación de opción (varía de máquina a máquina)	
†Los modelos designados "PN" utilizan la computadora serie S ‡Los modelos designados "MC" están preparados para funcionar con un contador de monedas alternativo.		

Model No. <b>SC35MN2CU20001</b> Serial No. <b>00000000000</b> Voltage <b>380 – 415</b> Amps <b>5</b> Required Circuit Breaker Amps <b>15</b> Hz <b>50</b> Wire <b>4</b> Phase <b>3</b> Max. Load <b>35</b> LB <b>16</b> KG      Max. Speed <b>470</b> RPM Elec. Heating      KW    Steam Press.      PSI      BAR		
ETL LISTED CONFORMS TO ANS/UL STD. 1555 ANS/UL STD. 1206  ETL TESTING LABORATORIES, INC. CORTLAND, NEW YORK 13045		
Product No. <b>500000</b>	Date Code	H043I

Figura 2

# Instalación

<b>Especificaciones generales de máquinas de gabinete de montaje permanente Modelos de 2 velocidades</b>					
<b>Especificaciones</b>	<b>18</b>	<b>25</b>	<b>27</b>	<b>35</b>	<b>50</b>
<i>Dimensiones generales</i>					
Anchura general, mm (plg)	660 (26)	660 (26)	737 (29)	765 (30-1/8)	865 (34-1/16)
Altura general, mm (plg)	1067 (42)	1143 (45)	1143 (45)	1200 (47-1/4)	1265 (49-3/4)
Profundidad general, mm (plg)	754 (29-11/16)	856 (33-11/16)	884 (34-13/16)	978 (38-1/2)	1067 (42)
<i>Información de peso y transporte</i>					
Peso neto, kg (lb)	177 (390)	198 (435)	225 (495)	295 (650)	373 (820)
Peso de transporte doméstico, kg (lb)	194 (430)	214 (475)	250 (555)	320 (710)	437 (970)
Volumen de transporte doméstico, m <sup>3</sup> (pie <sup>3</sup> )	0,669 (23,9)	0,809 (28,9)	0,852 (30,1)	1,09 (39,0)	1,39 (49,8)
Peso de transporte de exportación, kg (lb)	218 (480)	236 (525)	272 (605)	345 (760)	464 (1020)
Volumen de transporte de exportación, m <sup>3</sup> (pie <sup>3</sup> )	1,32 (47,1)	1,01 (35,9)	1,07 (37,7)	1,32 (47,1)	1,92 (68,6)
<i>Información del cilindro de lavado</i>					
Diámetro del cilindro, mm (plg)	533 (21)	533 (21)	610 (24)	667 (26-1/4)	762 (30)
Profundidad del cilindro, mm (plg)	349 (13-3/4)	457 (18-3/4)	406 (16)	467 (18-3/8)	508 (20)
Volumen del cilindro, lt (pie <sup>3</sup> )	78,1 (2,76)	106 (3,76)	117,9 (4,19)	163,1 (5,76)	232 (8,18)
Tamaño de las perforaciones, mm (plg)	4,76 (0,188)	4,76 (0,188)	4,76 (0,188)	4,76 (0,188)	4,76 (0,188)
Área abierta de las perforaciones, %	17	17	23	17	18
<i>Información de la abertura de la puerta</i>					
Tamaño de la abertura de la puerta, mm (plg)	305 (12)	305 (12)	364 (14-11/32)	354 (13-15/16)	413 (16-1/4)
Altura de la parte inferior de la puerta desde el piso,	438 (17-1/4)	438 (17-1/4)	432 (17)	480 (19)	465 (18-1/4)
<i>Consumo de energía eléctrica</i>					
Consumo promedio de energía eléctrica por ciclo, kW/hr	0,20	0,25	0,25	0,30	0,42
Emisión de sonido nominal, dBA	60	63	63	64	66
Emisión de ruido de fondo, dBA	48	51	51	49	49
Carga HVAC promedio, BTU/hr	425	400	400 est.	510	700

# Instalación

<b>Especificaciones generales de máquinas de gabinete de montaje permanente Modelos de 2 velocidades (continuación)</b>						
<b>Especificaciones</b>	<b>18</b>	<b>25</b>	<b>27</b>	<b>35</b>	<b>50</b>	
<i>Información del tren de transmisión</i>						
Número de motores en el tren de transmisión	1	1	1	1	1	
Potencia de lavado/inversión, kW (hp)	0,13 (0,18)	0,19 (0,25)	0,19 (0,25)	0,30 (0,40)	0,41 (0,55)	
Potencia alta de extracción, kW (hp)	0,746 (1,0)	1,04 (1,4)	1,04 (1,4)	1,3 (1,8)	2,01 (2,7)	
<i>Velocidades del cilindro</i>						
Velocidad de lavado/inversión, rpm	53	55	47	47	44	
Velocidad alta de extracción, rpm	525	540	480	470	450	
<i>Datos de la fuerza centrífuga</i>						
Fuerza centrífuga de lavado/inversión, Gs	0,85	0,90	0,75	0,82	0,825	
Fuerza centrífuga alta de extracción, Gs	82,1	86,9	80	82,3	86,3	
<i>Detección de balance</i>						
Interruptor de protección contra vibraciones instalado	No corresp.	No corresp.	No corresp.	No corresp.	No corresp.	
<i>Calentamiento por vapor directo (opcional)</i>						
Tamaño de la conexión de entrada de vapor, mm (plg)	13 (1/2)	13 (1/2)	13 (1/2)	13 (1/2)	13 (1/2)	
Número de entradas de vapor	1	1	1	1	1	
Vapor requerido para elevar la temperatura del agua de lavado 10° C, kg (10° F, lb)	BAJO	0,50 (1,1)	0,64 (1,4)	0,68 (1,5)	0,95 (2,1)	1,3 (2,8)
	ALTO	0,54 (1,2)	0,73 (1,6)	0,77 (1,7)	1,3 (2,8)	1,7 (3,7)
Consumo promedio de vapor por ciclo, BHP	0,66	0,87	0,94	1,4	1,9	
<i>Calentamiento eléctrico (opcional)</i>						
Capacidad de calentamiento eléctrico total, kW	7,8	7,8	7,8	15,6	23,4	
Número de elementos de calentamiento eléctrico	3	3	3	6	9	
Capacidad de los elementos de calentamiento eléctrico, kW	2,6	2,6	2,6	2,6	2,6	

# Instalación

<b>Especificaciones generales de máquinas de gabinete de montaje permanente Modelos de 3 velocidades</b>				
<b>Especificaciones</b>	<b>18</b>	<b>35</b>	<b>50</b>	<b>80</b>
<i>Dimensiones generales</i>				
Anchura general, mm (plg)	660 (26)	765 (30-1/8)	865 (34-1/16)	1054 (41-1/2)
Altura general, mm (plg)	1067 (42)	1200 (47-1/4)	1265 (49-3/4)	1422 (56)
Profundidad general, mm (plg)	754 (29-11/16)	978 (38-1/2)	1067 (42)	1311 (51-5/8)
<i>Información de peso y transporte</i>				
Peso neto, kg (lb)	182 (400)	307 (675)	432 (950)	727 (1600)
Peso de transporte doméstico, kg (lb)	195 (430)	355 (780)	450 (990)	743 (1650)
Volumen de transporte doméstico, m <sup>3</sup> (pie <sup>3</sup> )	0,669 (23,9)	1,09 (39,0)	1,39 (49,8)	2,19 (78,1)
Peso de transporte de exportación, kg (lb)	223 (490)	357 (785)	523 (1150)	765 (1700)
Volumen de transporte de exportación, m <sup>3</sup> (pie <sup>3</sup> )	1,32 (47,1)	1,32 (47,1)	1,92 (68,6)	---
<i>Información del cilindro de lavado</i>				
Diámetro del cilindro, mm (plg)	533 (21)	667 (26-1/4)	762 (30)	914 (36)
Profundidad del cilindro, mm (plg)	349 (13-3/4)	467 (18-3/8)	508 (20)	559 (22)
Volumen del cilindro, lt (pie <sup>3</sup> )	78,1 (2,76)	163,1 (5,76)	232 (8,18)	354 (12,4)
Tamaño de las perforaciones, mm (plg)	4,76 (0,188)	4,76 (0,188)	4,76 (0,188)	4,76 (0,188)
Área abierta de las perforaciones, %	17	17	18	---
<i>Información de la abertura de la puerta</i>				
Tamaño de la abertura de la puerta, mm (plg)	305 (12)	354 (13-15/16)	413 (16-1/4)	470 (18-1/2)
Altura de la parte inferior de la puerta desde el piso, mm (plg)	438 (17-1/4)	480 (19)	465 (18-1/4)	546 (21-1/2)
<i>Consumo de energía eléctrica</i>				
Consumo promedio de energía eléctrica por ciclo, kW/hr	0,18 est	0,28 est	0,38 est	0,55 est
Emisión de sonido nominal, dBA	61	65	67	60 / 69
Emisión de ruido de fondo, dBA	48	49	49	47
Carga HVAC promedio, BTU/hr	440	525	725	900

# Instalación

<b>Especificaciones generales de máquinas de gabinete de montaje permanente Modelos de 3 velocidades (continuación)</b>				
<b>Especificaciones</b>	<b>18</b>	<b>35</b>	<b>50</b>	<b>80</b>
<i>Información del tren de transmisión</i>				
Número de motores en el tren de transmisión	1	2	2	2
Potencia de lavado/inversión, kW (hp)	0,13 (0,18)	0,30 (0,40)	0,67 (0,90)	0,75 (1,0)
Potencia mediana de extracción, kW (hp)	0,895 (1,2)	0,34 (0,45)	0,75 (1,0)	0,89 (1,2)
Potencia alta de extracción, kW (hp)	1,12 (1,5)	2,2 (3,0)	2,6 (3,5)	3,36 (4,5)
<i>Velocidades del cilindro</i>				
Velocidad de lavado/inversión, rpm	46	47	44	40
Velocidad mediana de extracción, rpm	330	75	60	64
Velocidad alta de extracción, rpm	661	591	561	530
<i>Datos de la fuerza centrífuga</i>				
Fuerza centrífuga de lavado/inversión, Gs	0,65	0,82	0,825	0,82
Fuerza centrífuga mediana de extracción, Gs	32,5	2,10	1,53	2,1
Fuerza centrífuga alta de extracción, Gs	130	130	134	143
<i>Detección de balance</i>				
Interruptor de protección contra vibraciones instalado	No corresp.	Estándar	Estándar	Estándar
<i>Calentamiento por vapor directo (opcional)</i>				
Tamaño de la conexión de entrada de vapor, mm (plg)	13 (1/2)	13 (1/2)	13 (1/2)	13 (1/2)
Número de entradas de vapor	1	1	1	1
Vapor requerido para elevar la temperatura del agua de lavado 10° C, kg (10° F, lb)	BAJO	0,5 (1,1)	0,95 (2,1)	1,3 (2,8)
	ALTO	0,54 (1,2)	1,3 (2,8)	1,7 (3,7)
Consumo promedio de vapor por ciclo, BHP	0,66	1,4	1,9	3,1
<i>Calentamiento eléctrico (opcional)</i>				
Capacidad de calentamiento eléctrico total, kW	7,8	15,6	23,4	31,2
Número de elementos de calentamiento eléctrico	3	6	9	12
Capacidad de los elementos de calentamiento eléctrico, kW	2,6	2,6	2,6	2,6

# Instalación

<b>Especificaciones generales de máquinas de gabinete de montaje permanente Modelos de velocidad variable</b>					
<b>Especificaciones</b>	<b>18</b>	<b>27</b>	<b>35</b>	<b>50</b>	<b>80</b>
<i>Dimensiones generales</i>					
Anchura general, mm (plg)	660 (26)	737 (29)	765 (30-1/8)	865 (34-1/16)	1054 (41-1/2)
Altura general, mm (plg)	1067 (42)	1143 (45)	1200 (47-1/4)	1265 (49-3/4)	1422 (56)
Profundidad general, mm (plg)	754 (29-11/16)	884 (34-13/16)	978 (38-1/2)	1067 (42)	1311 (51-5/8)
<i>Información de peso y transporte</i>					
Peso neto, kg (lb)	182 (404)	234 (520)	288 (640)	355 (788)	633 (1406)
Peso de transporte doméstico, kg (lb)	191 (424)	245 (545)	301 (670)	371 (818)	655 (1456)
Volumen de transporte doméstico, m <sup>3</sup> (pie <sup>3</sup> )	0,669 (23,9)	0,852 (30,1)	1,09 (39,0)	1,39 (49,8)	2,69 (96,18)
Peso de transporte de exportación, kg (lb)	222 (494)	275 (610)	338 (750)	448 (988)	678 (1506)
Volumen de transporte de exportación, m <sup>3</sup> (pie <sup>3</sup> )	1,32 (47,1)	1,07 (37,7)	1,32 (47,1)	1,92 (68,6)	3,1 (109,4)
<i>Información del cilindro de lavado</i>					
Diámetro del cilindro, mm (plg)	533 (21)	610 (24)	667 (26-1/4)	762 (30)	914 (36)
Profundidad del cilindro, mm (plg)	349 (13-3/4)	406 (16)	467 (18-3/8)	508 (20)	559 (22)
Volumen del cilindro, lt (pie <sup>3</sup> )	78,1 (2,76)	117,9 (4,19)	163,1 (5,76)	232 (8,18)	354 (12,4)
Tamaño de las perforaciones, mm (plg)	4,76 (0,188)	4,76 (0,188)	4,76 (0,188)	4,76 (0,188)	4,76 (0,188)
Área abierta de las perforaciones, %	17	23	17	18	27
<i>Información de la abertura de la puerta</i>					
Tamaño de la abertura de la puerta, mm (plg)	305 (12)	364 (14-11/32)	354 (13-15/16)	413 (16-1/4)	470 (18-1/2)
Altura de la parte inferior de la puerta desde el piso, mm (plg)	438 (17-1/4)	432 (17)	480 (19)	465 (18-1/4)	546 (21-1/2)
<i>Consumo de energía eléctrica</i>					
Consumo promedio de energía eléctrica por ciclo, kW/hr	0,11	0,14	0,20	0,37	
Emisión de sonido nominal, dBA	N/A	N/A	N/A	N/A	N/A
Emisión de ruido de fondo, dBA	N/A	N/A	N/A	N/A	N/A
Carga HVAC promedio, BTU/hr	425	425	510	510	900

# Instalación

<b>Especificaciones generales de máquinas de gabinete de montaje permanente Modelos de velocidad variable (continuación)</b>					
<b>Especificaciones</b>	<b>18</b>	<b>27</b>	<b>35</b>	<b>50</b>	<b>80</b>
<i>Información del tren de transmisión</i>					
Número de motores en el tren de transmisión	1	1	1	1	1
Potencia del motor de transmisión, kW (hp)	0,75 (1)	0,75 (1)	1,5 (2)	1,5 (2)	3,7 (5)
<i>Velocidades del cilindro</i>					
Velocidad suave de lavado/inversión, rpm	29	27	26	24	22
Velocidad de lavado/inversión, rpm	52	48	46	43	40
Velocidad de distribución, rpm	82	77	73	68	63
Velocidad baja de extracción, rpm	366	343	328	307	280
Velocidad mediana de extracción, rpm *	534	500	478	447	408
Velocidad alta de extracción, rpm	685	641	613	573	524
<i>Datos de la fuerza centrífuga</i>					
Fuerza centrífuga suave de lavado, Gs	0,25	0,25	0,25	0,25	0,25
Fuerza centrífuga de lavado/inversión, Gs	0,8	0,8	0,8	0,8	0,8
Fuerza centrífuga de distribución, Gs	2	2	2	2	2
Fuerza centrífuga baja de extracción, Gs	40	40	40	40	40
Fuerza centrífuga mediana de extracción, Gs	85	85	85	85	85
Fuerza centrífuga alta de extracción, Gs	140	140	140	140	140
<i>Detección de balance</i>					
Interruptor de protección contra vibraciones instalado	No corresp.	No corresp.	Estándar	Estándar	Estándar
<i>Calentamiento por vapor directo (opcional)</i>					
Tamaño de la conexión de entrada de vapor, mm (plg)	13 (1/2)	13 (1/2)	13 (1/2)	13 (1/2)	13 (1/2)
Número de entradas de vapor	1	1	1	1	1

# Instalación

<b>Especificaciones generales de máquinas de gabinete de montaje permanente Modelos de velocidad variable (continuación)</b>						
<b>Especificaciones</b>		<b>18</b>	<b>27</b>	<b>35</b>	<b>50</b>	<b>80</b>
Vapor requerido para elevar la temperatura del agua de lavado 10° C, kg (10° F, lb)	BAJO	0,50 (1,1)	0,64 (1,4)	0,95 (2,1)	1,3 (2,8)	2,0 (4,4)
	ALTO	0,64 (1,4)	0,86 (1,9)	1,2 (2,7)	1,7 (3,7)	2,9 (6,3)
Consumo promedio de vapor por ciclo, BHP		0,72	0,96	1,4	1,9	3,1
<i>Calentamiento eléctrico (opcional)</i>						
Capacidad de calentamiento eléctrico total, kW		7,8	7,8	15,6	23,4	31,2
Número de elementos de calentamiento eléctrico		3	3	6	9	12
Capacidad de los elementos de calentamiento eléctrico, kW		2,6	2,6	2,6	2,6	2,6
* La velocidad de extracción mediana no está disponible en los modelos equipados con control electrónico (EC)						

## Dimensiones de la máquina

Las Figuras 3 a 8 ilustran las dimensiones de los diferentes tipos de máquinas, comenzando por el modelo de 18 libras y terminando con el modelo de 80 libras.

---

**Nota:** Las dimensiones que aparecen aquí sólo son para propósitos de planificación. Son valores aproximados y están sujetos a las tolerancias normales de fabricación. Si tiene necesidad de conocer las dimensiones exactas, póngase en contacto con su distribuidor o fabricante. Nos reservamos el derecho de hacer cambios en cualquier momento sin previo aviso.

---



# Instalación

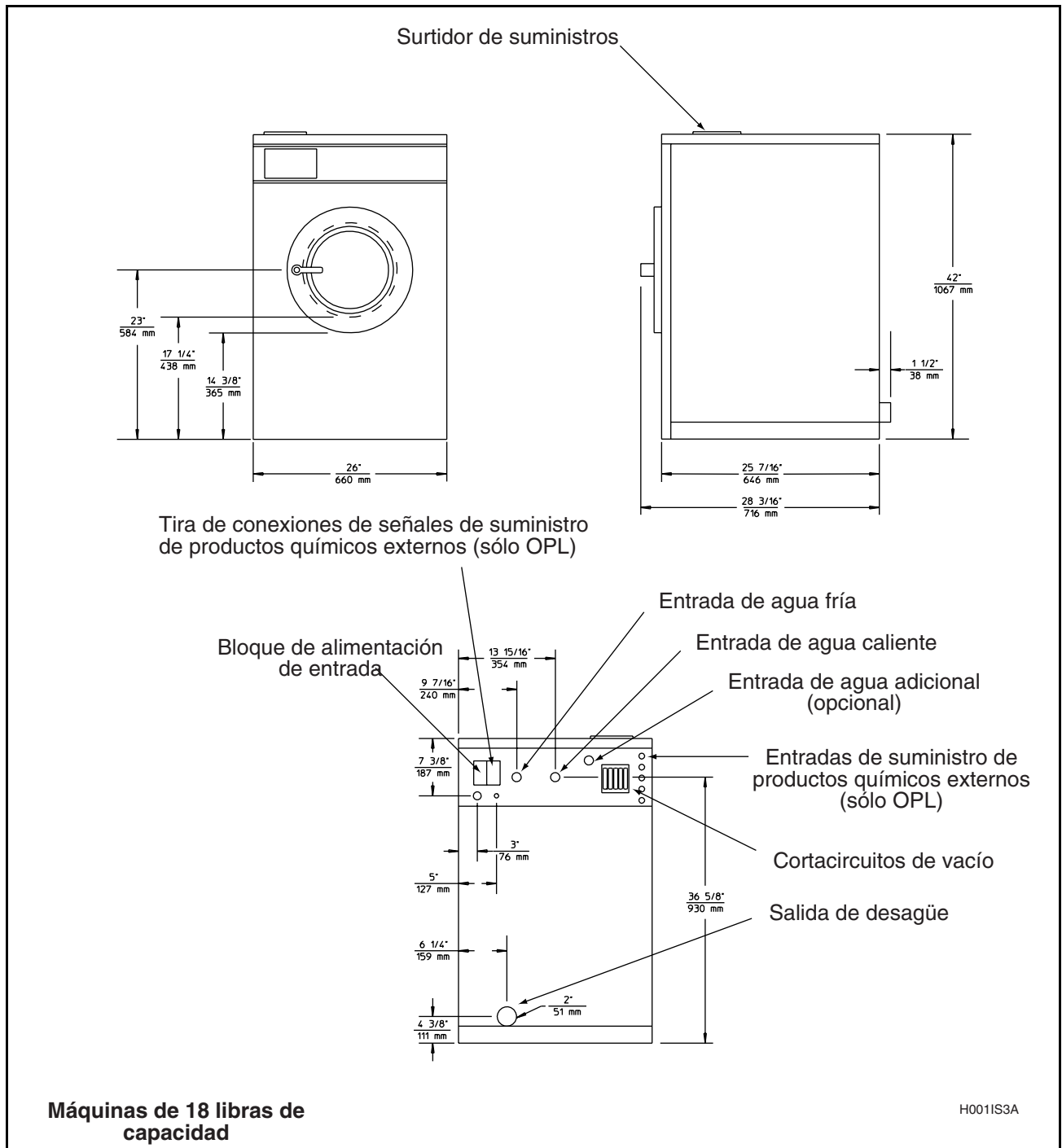


Figura 3

# Instalación

## Dimensiones de la máquina (continuación)

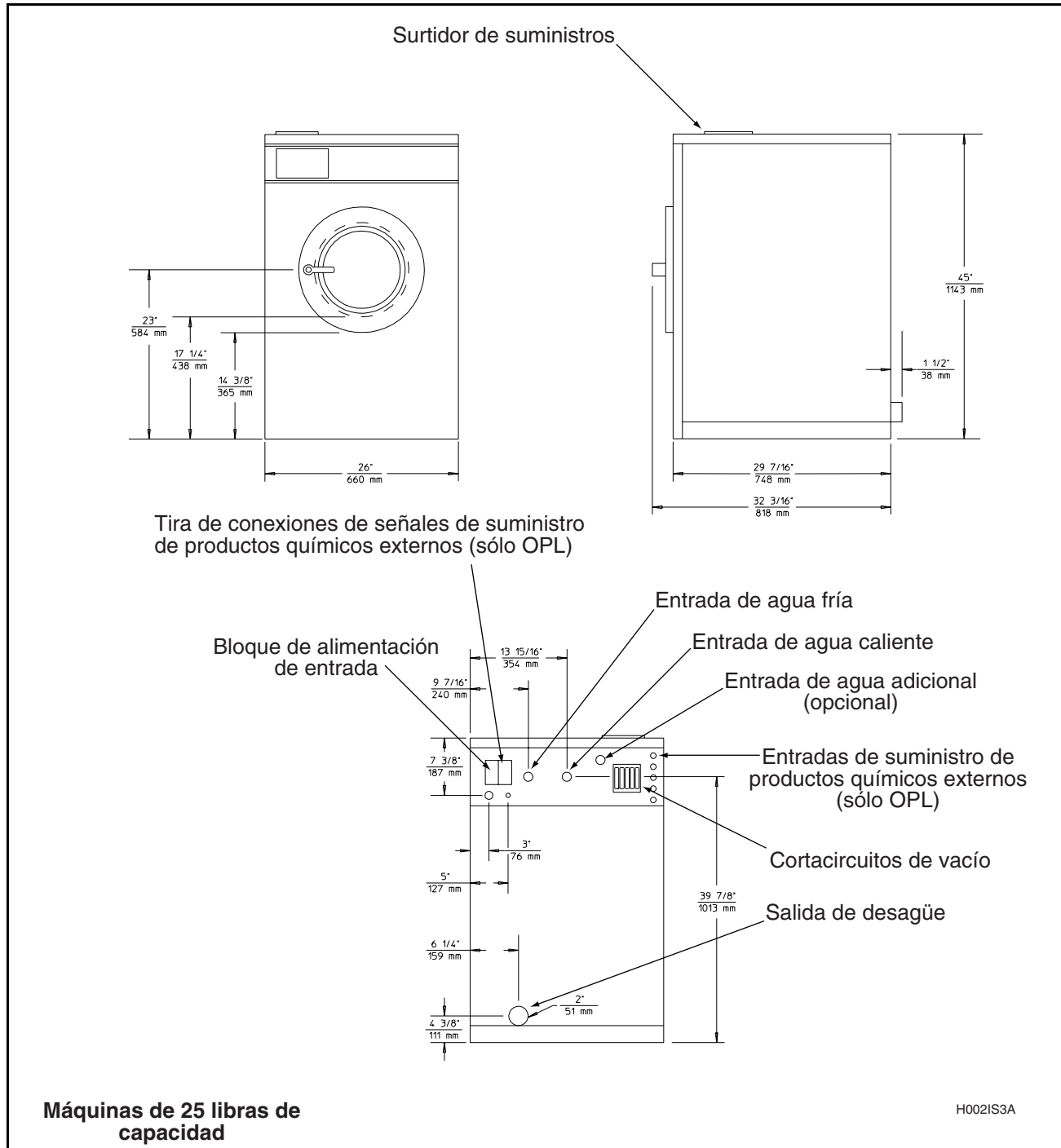


Figura 4

# Instalación

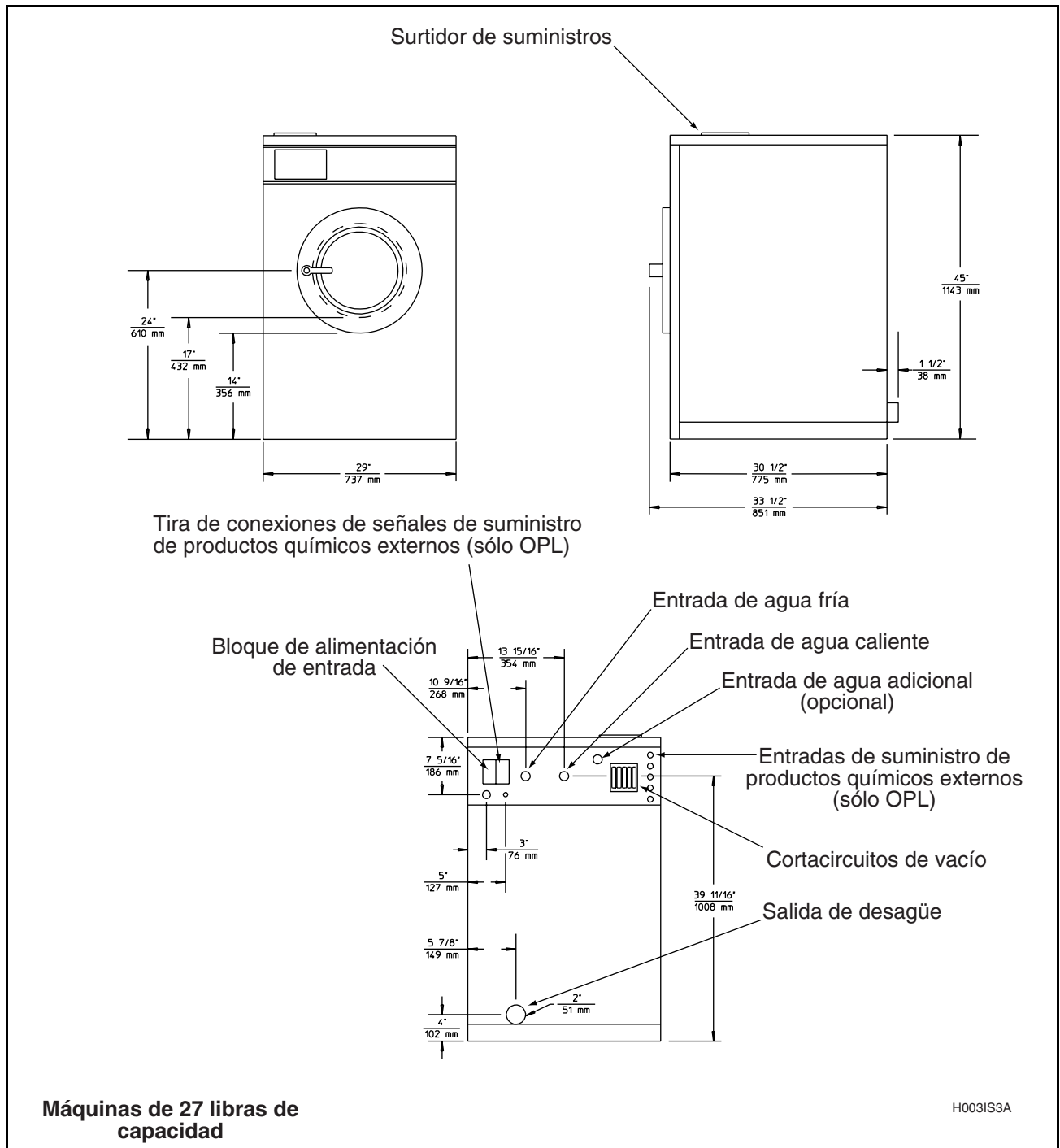


Figura 5

# Instalación

## Dimensiones de la máquina (continuación)

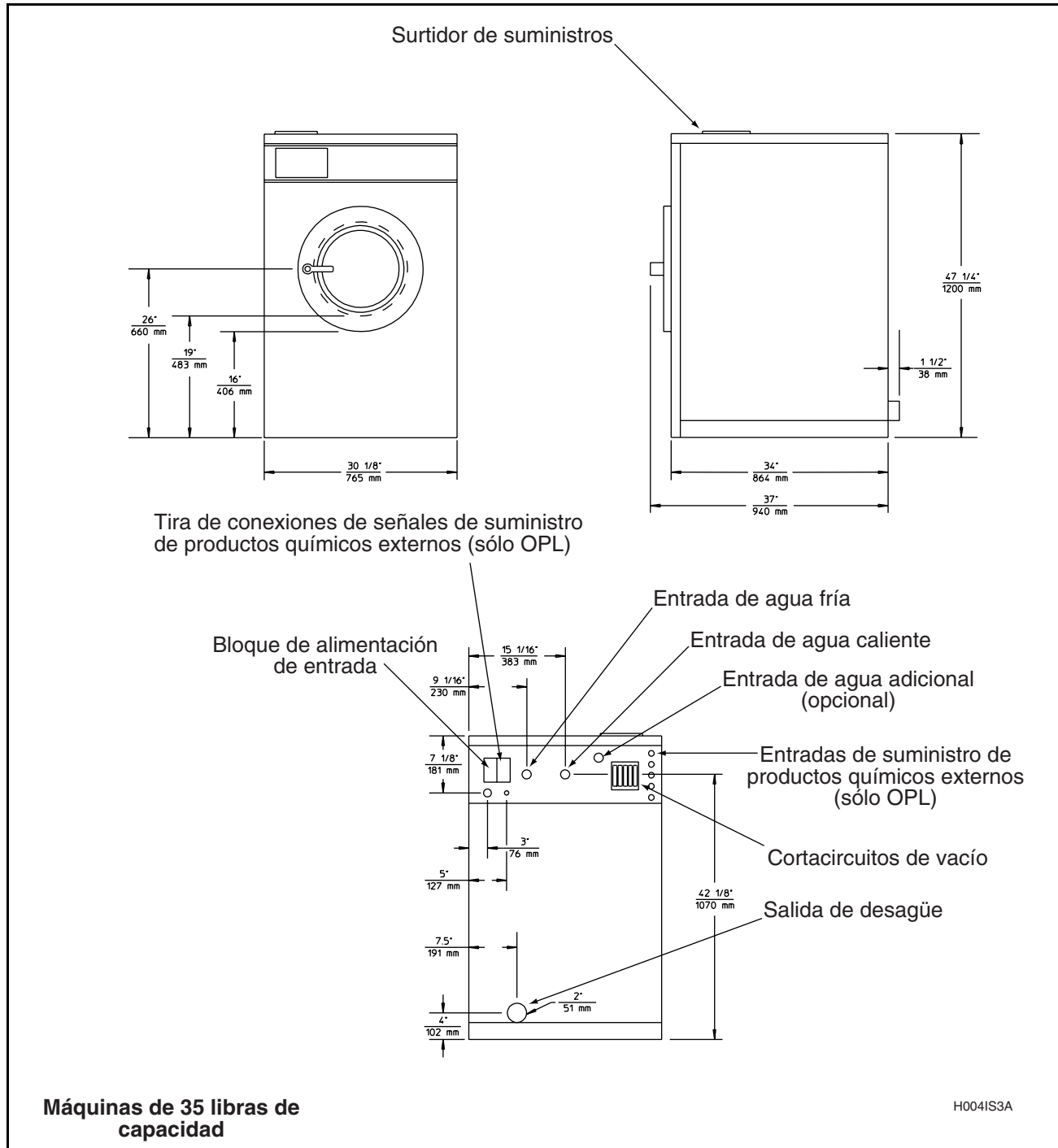


Figura 6

# Instalación

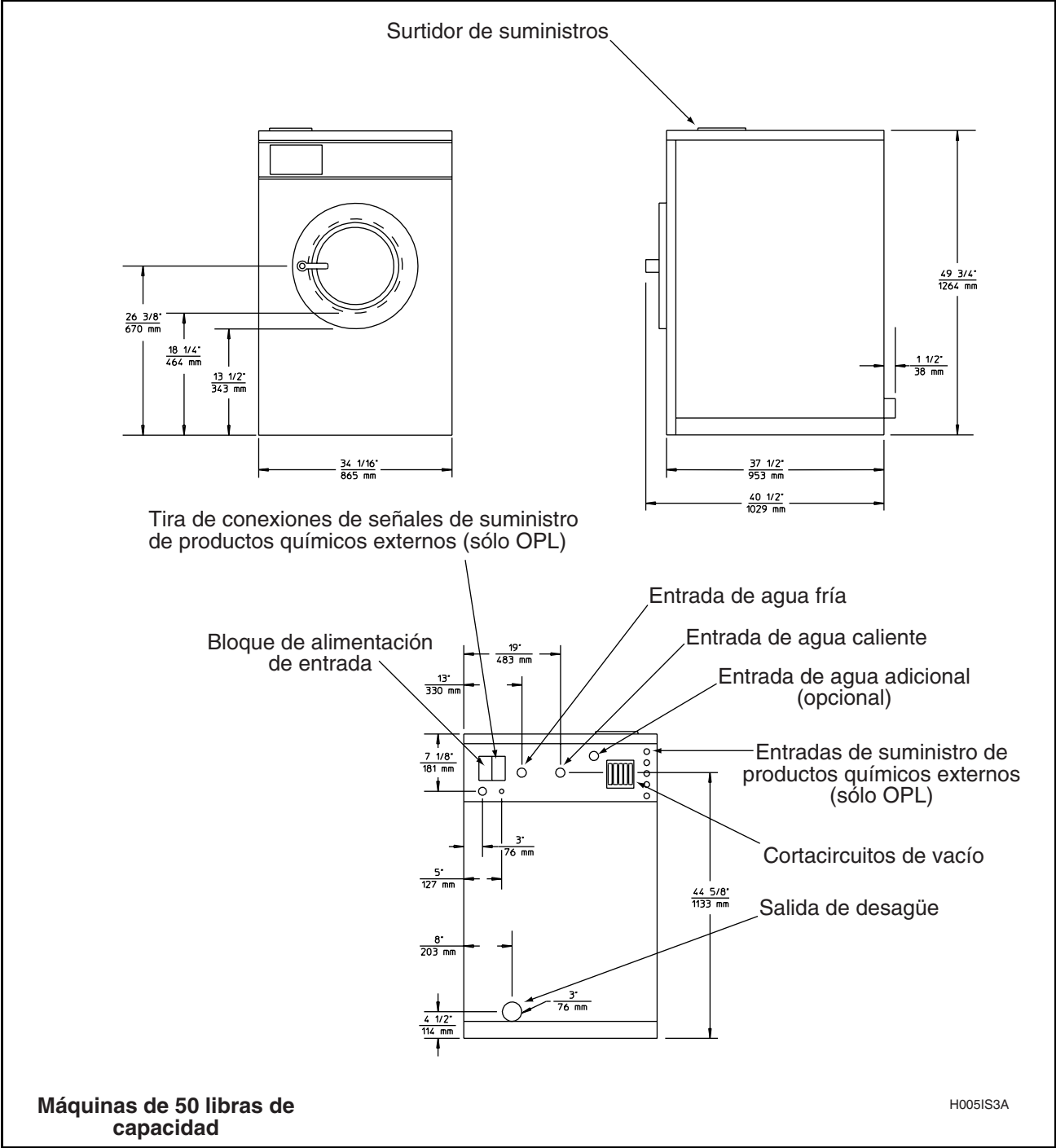


Figura 7

# Instalación

## Dimensiones de la máquina (continuación)

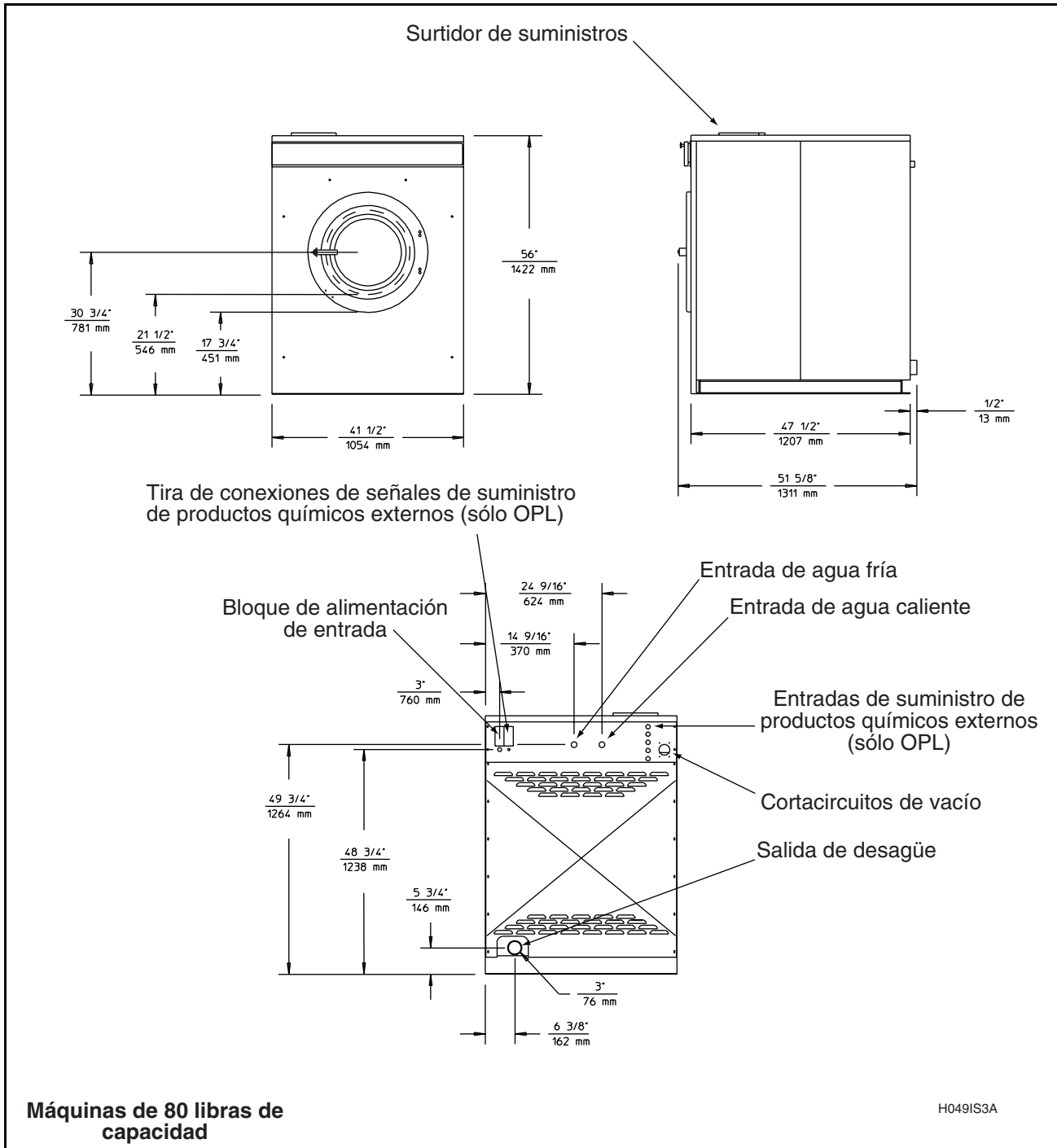


Figura 8

# Instalación

## Espacios libres

En máquinas con capacidad de 18 y 25 libras, deje un mínimo de 305 mm (12 pulgadas) por la parte posterior, y en máquinas mayores, un mínimo de 457 mm (18 pulgadas) por la parte posterior. Deje por lo menos 51 mm (2 pulgadas) entre máquinas en instalaciones múltiples. Los espacios libres aparecen en las Figuras 9 a 14 para los diferentes tamaños de máquina, comenzando con el modelo de 18 libras y terminando con el de 80 libras.

**Nota:** Los espacios libres para el modelo de 80 libras dependen del conjunto de agujeros para pernos de montaje que se utilice. Si la máquina se va a utilizar en una aplicación de montaje cerrado (conjunto de agujeros para pernos de montaje rotulado “A” en la Figura 28) mantenga los espacios libres indicados en la Figura 14. Si la máquina se va a utilizar en una aplicación de montaje estándar (conjunto de agujeros para pernos de montaje rotulado “B” en la Figura 28) mantenga una separación mínima de 203 mm (8 pulgadas) por cada lado de la máquina, adicionales a los espacios libres indicados en la Figura 14.

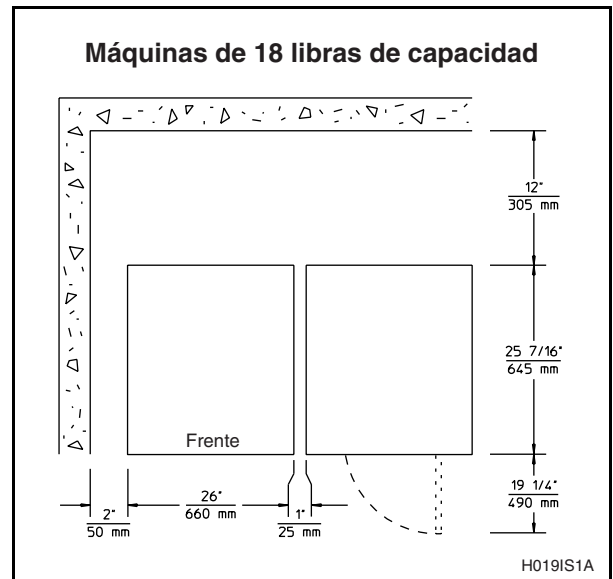


Figura 9

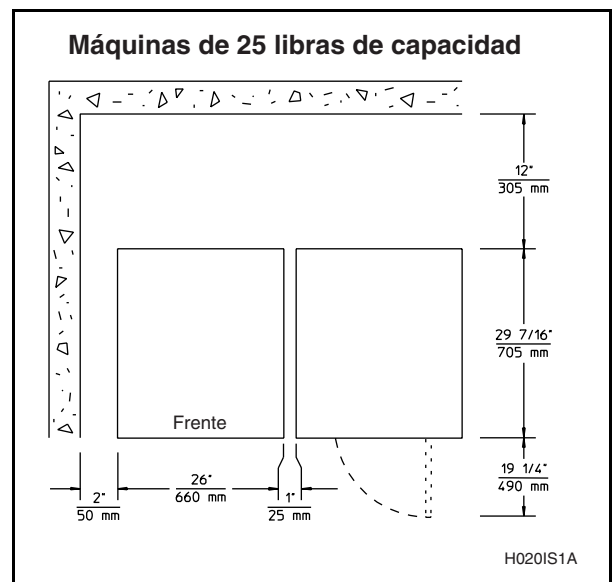


Figura 10

# Instalación

## Espacios libres (continuación)

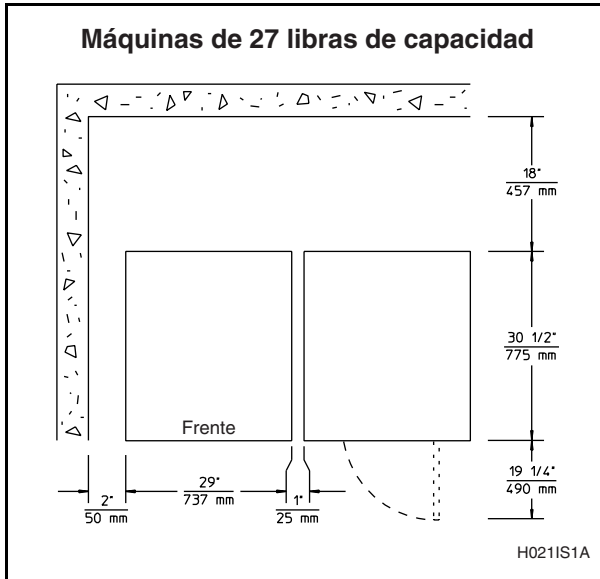


Figura 11

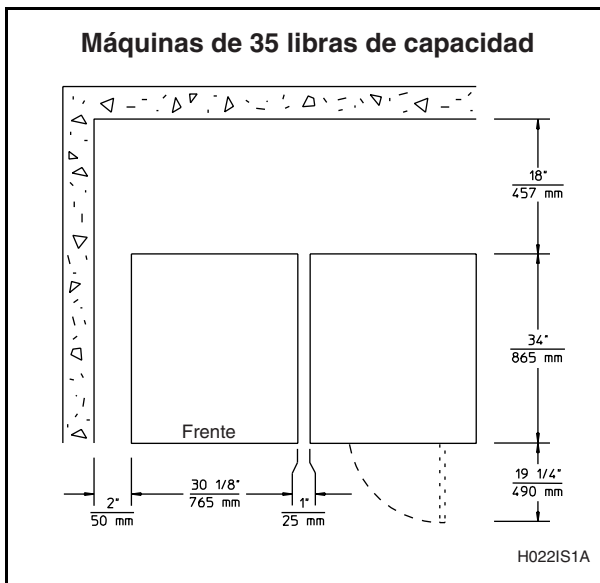


Figura 12

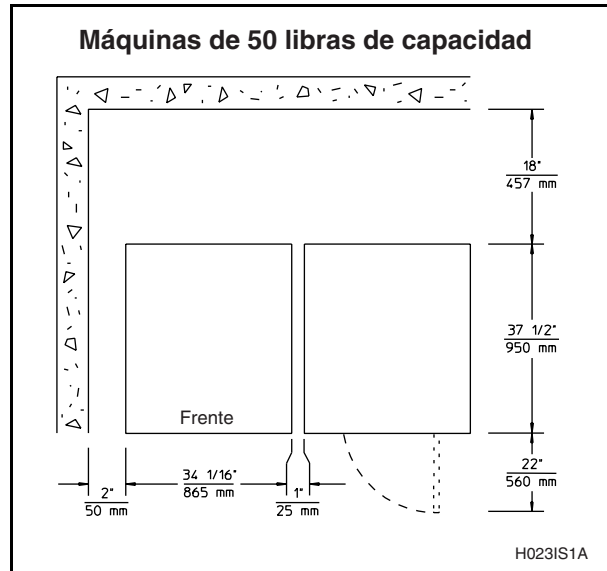


Figura 13

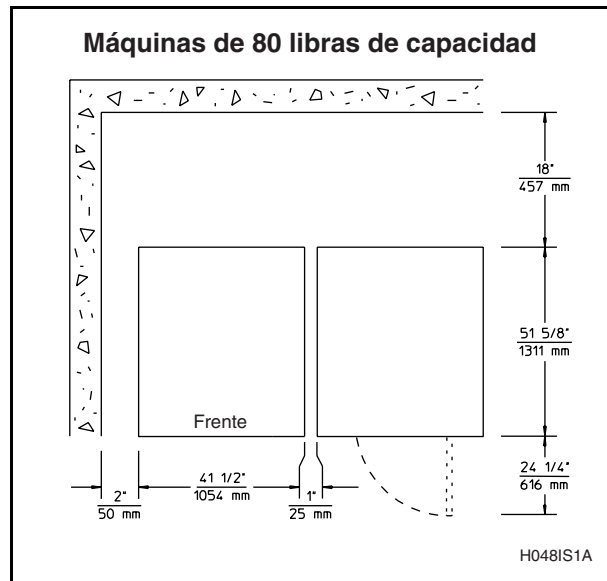



Figura 14



## Cimientos para la máquina

**Nota:** No instale la lavadora extractora sobre pisos de madera, en pisos superiores o sobre sótanos o pisos que tengan espacios vacíos debajo. La instalación debe ser hecha sobre una losa rasante de hormigón, o similar.

	<b>PRECAUCIÓN</b>
Asegúrese de que esta máquina quede instalada sobre un piso nivelado con suficiente resistencia y de que se dejen los espacios libres recomendados. Nunca permita que quede bloqueado el espacio para realizar inspecciones y mantenimiento.	
SW020	

Unos cimientos apropiados son absolutamente necesarios para todos los modelos de lavadoras debido a la alta velocidad de extracción y las fuerzas centrífugas que se ejercen.

Es muy importante prestar atención al detalle con respecto al trabajo de cimentación para asegurar que la instalación de la unidad sea estable, eliminando así todas las posibilidades de vibraciones excesivas durante el proceso de extracción.

La lavadora extractora debe estar anclada a unos cimientos o piso debidamente construido. El piso deberá ser de concreto reforzado capaz de soportar 3500 PSI como mínimo, construido sobre un relleno limpio compactado. En máquinas de dos velocidades, el piso deberá tener por lo menos 102 mm (4 pulgadas) de espesor. En los modelos de 3 velocidades y velocidad variable (excepto el modelo de 80 libras de capacidad), el piso deberá tener por lo menos 152 mm (6 pulgadas) de espesor. En los modelos de 80

libras de capacidad, el piso deberá tener un espesor de por lo menos 229 mm (9 pulgadas) de espesor.

La máquina deberá anclarse a una superficie lo suficientemente plana de manera que toda la base se apoye y descance sobre la superficie de montaje. (No apoye la máquina en cuatro puntos solamente). En los modelos de máquinas de hasta 50 libras de capacidad los pernos de anclaje deberán ser de grado 2 y tener un diámetro mínimo de 5/8 plg. En los modelos de 80 libras, los pernos de anclaje deberán ser de grado 2 y tener por lo menos 3/4 plg.

El diseño de la base de montaje debe realizarse cuidadosamente debido a la fuerza ejercida por la máquina durante el ciclo de extracción.

Las cargas estáticas y dinámicas sobre el piso o los cimientos se indican en las tablas de Datos de carga sobre el piso de las lavadoras extractoras de gabinete de montaje permanente que aparecen en esta subsección. Las mismas pueden ser usadas como referencia al diseñar pisos y cimientos.

# Instalación

## Cimientos para la máquina (continuación)

<b>Datos de carga sobre el piso de las lavadoras extractoras de gabinete de montaje permanente de 2 velocidades</b>					
<b>Especificación</b>	<b>18</b>	<b>25</b>	<b>27</b>	<b>35</b>	<b>50</b>
Carga estática sobre el piso, kN (lbs)	2,12 (476)	2,44 (549)	2,90 (653)	3,58 (804)	4,63 (1041)
Presión estática, kN-m <sup>2</sup> (lbs-pie <sup>2</sup> )	4,96 (104)	4,94 (103)	5,07 (106)	5,41 (113)	5,62 (117)
Carga dinámica máxima, kN (lbs)	1,31 (296)	1,87 (420)	1,90 (427)	2,58 (581)	3,83 (860)
Presión dinámica, kN-m <sup>2</sup> (lbs-pie <sup>2</sup> )	3,08 (64,4)	3,80 (79,3)	3,33 (69,5)	3,91 (82)	4,64 (97)
Frecuencia de carga dinámica, Hz	8,75	9,00	8,00	7,83	7,50
Momento máximo alrededor de la base de la máquina, kN-m (lbs-pie)	0,769 (567)	1,12 (806)	1,16 (854)	1,71 (1261)	2,57 (1892)

<b>Datos de carga sobre el piso de las lavadoras extractoras de gabinete de montaje permanente de 3 velocidades</b>				
<b>Especificación</b>	<b>18</b>	<b>35</b>	<b>50</b>	<b>80</b>
Carga estática sobre el piso, kN (lbs)	2,16 (486)	3,69 (829)	5,21 (1171)	9,10 (2047)
Presión estática, kN-m <sup>2</sup> (lbs-pie <sup>2</sup> )	5,07 (106)	5,58 (117)	6,32 (132)	7,18 (150)
Carga dinámica máxima, kN (lbs)	2,08 (468)	4,05 (910)	5,96 (1340)	10,2 (2288)
Presión dinámica, kN-m <sup>2</sup> (lbs-pie <sup>2</sup> )	4,88 (102)	6,13 (128)	7,23 (151)	8,03 (167)
Frecuencia de carga dinámica, Hz	11,0	9,85	9,35	8,88
Momento máximo alrededor de la base de la máquina, kN-m (lbs-pie)	1,22 (899)	2,68 (1975)	4,00 (2948)	7,98 (5873)

<b>Datos de carga sobre el piso de las lavadoras extractoras de gabinete de montaje permanente y velocidad variable</b>					
<b>Especificación</b>	<b>18</b>	<b>27</b>	<b>35</b>	<b>50</b>	<b>80</b>
Carga estática sobre el piso, kN (lbs)	2,18 (490)	3,01 (677)	3,53 (794)	4,48 (1009)	8,23 (1853)
Presión estática, kN-m <sup>2</sup> (lbs-pie <sup>2</sup> )	5,11 (107)	5,26 (110)	5,35 (112)	5,46 (114)	6,46 (135)
Carga dinámica máxima, kN (lbs)	2,27 (512)	3,36 (755)	4,35 (979)	6,25 (1407)	9,80 (2209)
Presión dinámica, kN-m <sup>2</sup> (lbs-pie <sup>2</sup> )	5,35 (112)	5,88 (123)	6,60 (138)	7,61 (159)	7,71 (161)
Frecuencia de carga dinámica, Hz	11,52	10,68	10,22	9,58	8,67
Momento máximo alrededor de la base de la máquina, kN-m (lbs-pie)	1,33 (983)	1,97 (1450)	2,88 (2125)	4,19 (3095)	7,68 (5678)

# Instalación

## Instalación mecánica

*Esta subsección describe cuatro métodos específicos para la instalación mecánica. Siga el procedimiento que sea más adecuado para su máquina.*

---

**Nota:** Una instalación inadecuada puede anular la garantía. Consulte al fabricante o al distribuidor antes de hacer cambios al procedimiento adecuado.

---

## Instalación de pernos de expansión (sólo modelos de 2 velocidades)

---

**Nota:** Los pernos de expansión no son adecuados para instalaciones de máquinas de 3 velocidades o velocidad variable. Los pernos de expansión no deben utilizarse en instalaciones de plataformas de cimientos de concreto para una sola máquina.

---

Siga las instrucciones siguientes y las Figuras 15 a 20 como guía paso a paso para la instalación de los pernos de expansión.

1. Verifique que el piso es de concreto reforzado, capaz de soportar 3500 PSI como mínimo, construido sobre un relleno limpio compactado y de por lo menos 102 mm (4 pulgadas) de espesor.
2. Verifique que la superficie de montaje sea uniforme y esté nivelada. Si la superficie no satisface estos requisitos, la máquina puede instalarse utilizando pernos en J y lechada de cemento para maquinaria.
3. Utilice la base de la máquina como modelo colocando la máquina en la posición deseada y marcando los agujeros

de montaje pretaladrados sobre el piso. Vea la Figura 15.

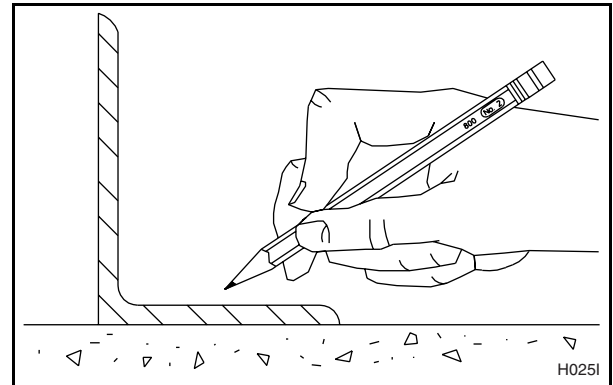


Figura 15

4. Ajuste el medidor de profundidad del taladro en 65 mm (2-9/16 pulgadas). Vea la Figura 16.

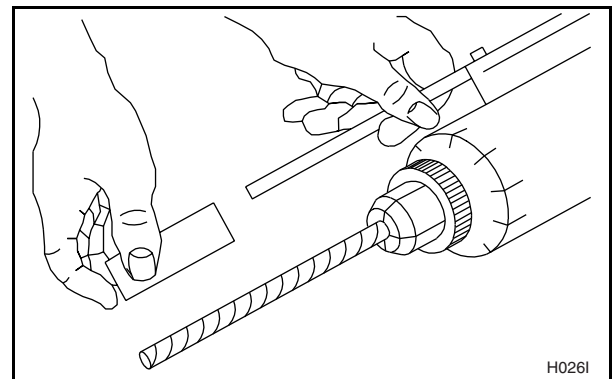


Figura 16

5. Taladre los agujeros hasta la profundidad fijada. Vea la Figura 17.

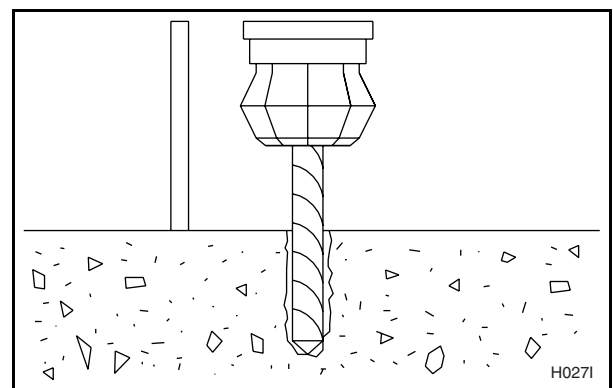


Figura 17

# Instalación

## Instalación mecánica (continuación)

6. Utilice aire comprimido o una perilla sopladora para limpiar cada uno de los agujeros. Vea la Figura 18.

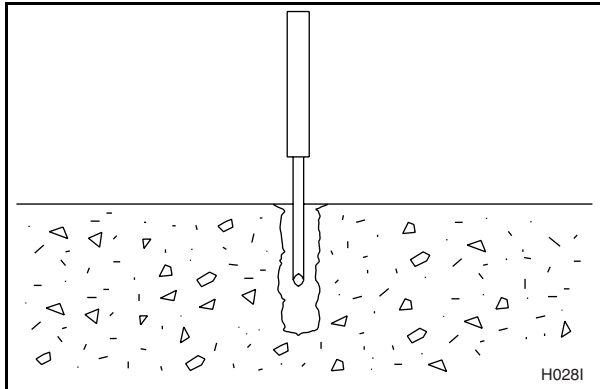


Figura 18

7. Instale las piezas de anclaje de la máquina utilizando la herramienta incluida.
8. Asegure la máquina al piso utilizando los pernos que vienen con las piezas de anclaje. Apriete las tuercas de seguridad en incrementos (una por una) hasta que queden igualmente apretadas y la máquina quede fijada firmemente al piso. Vea la Figura 19.

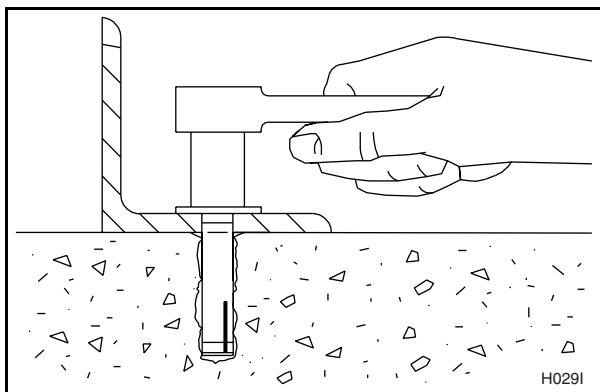


Figura 19

La Figura 20 muestra la instalación completa de los pernos de expansión.

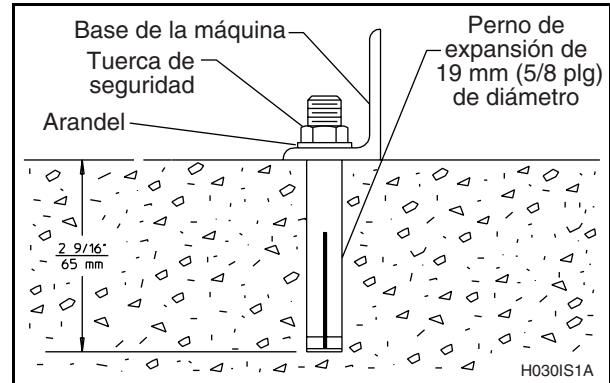


Figura 20

**Nota:** Revise y vuelva a apretar las tuercas de seguridad después de transcurridos los primeros 5 a 10 días de funcionamiento, y posteriormente, una vez cada tres meses.

# Instalación

## Instalación de bastidor de base elevada (sólo modelos de 2 velocidades)

**Nota:** Los modelos de 3 velocidades y velocidad variable no pueden instalarse en bastidores de base elevada.

Los bastidores de base de acero elevada, contruidos en la fábrica, están diseñados para satisfacer las especificaciones de la lavadora extractora de 2 velocidades. Vea la Figura 21.

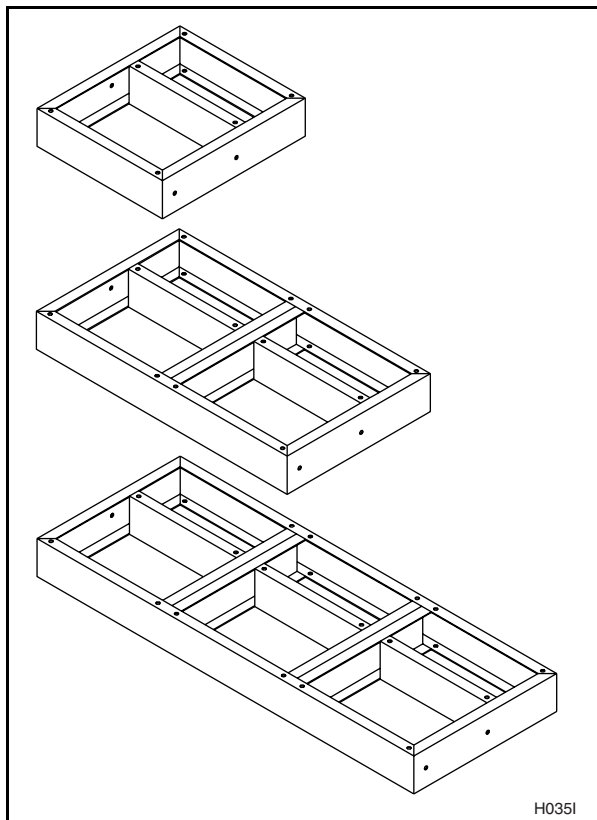


Figura 21

Utilice las instrucciones siguientes y las Figuras 22 a 26 como una guía paso a paso para la instalación del bastidor de base elevada.

1. Verifique que el piso sea de concreto reforzado capaz de soportar 3500 PSI como mínimo, construido sobre un relleno limpio compactado. El piso deberá tener por lo menos 102 mm (4 pulgadas) de espesor.
2. Utilice el bastidor de base elevado como modelo colocando el bastidor en la posición deseada y marcando los agujeros de montaje pretaladrados sobre el piso. Vea la Figura 22.

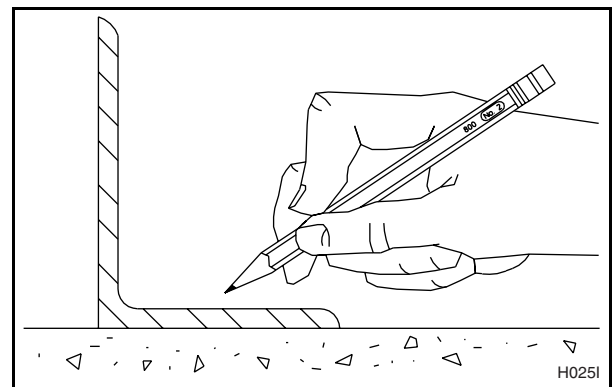


Figura 22

3. Ajuste el medidor de profundidad del taladro para que coincida con la longitud del perno en J, menos 38 mm (1-1/2 pulgadas). Vea la Figura 23.

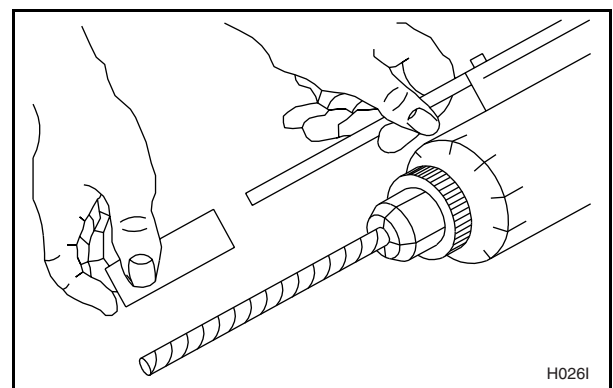


Figura 23

# Instalación

## Instalación mecánica (continuación)

4. Taladre y forme con un cincel un agujero cónico lo suficientemente largo para aceptar el perno en J. Vea la Figura 24.

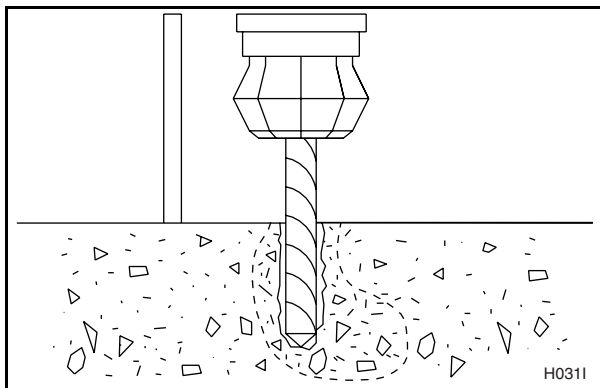


Figura 24

5. Utilice aire comprimido o una perilla sopladora para eliminar las partículas sueltas de cada agujero. Ancle el perno en J en su lugar utilizando un compuesto para anclaje aceptado en la industria. Verifique que los pernos en J estén en los lugares correctos y que cada perno sobresale 38 mm (1-1/2 pulgada) sobre el nivel del piso. Vea la Figura 25.

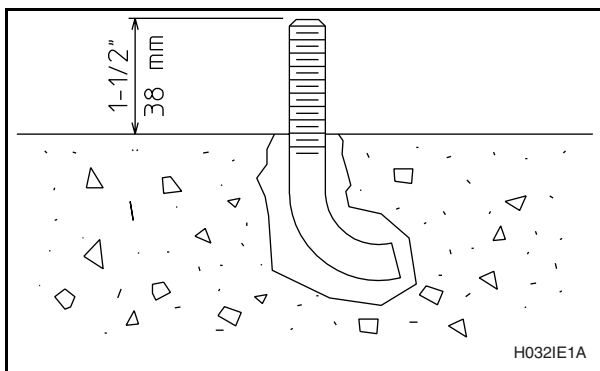


Figura 25

6. Levante y nivele el bastidor de base 13 mm (1/2 pulgada) sobre el nivel del piso en tres puntos mediante espaciadores, como por ejemplo, tuercas.

7. Rellene el espacio entre la base del bastidor y el piso con una lechada de cemento para maquinaria de buena calidad, que no se contraiga, para asegurar una instalación estable. Rellene con lechada la parte inferior de todos los miembros del bastidor.
8. Retire los espaciadores cuidadosamente, dejando que el bastidor de base se asiente en la lechada húmeda.
9. Antes de que la lechada se seque completamente, haga un agujero de desagüe por la parte posterior de la lechada del bastidor de base con un pedazo de alambre rígido. El agujero debe ser de aprox. 13 mm (1/2 pulgada) de ancho para permitir que el agua que caiga en la superficie debajo de la base de la máquina escape por dicho agujero. **No omita este paso.**
10. Coloque las arandelas y tuercas de seguridad en los pernos en J y apriete a mano las tuercas a la base de la máquina.
11. Después de que la lechada se ha secado completamente, apriete las tuercas de seguridad en forma pareja (una tras otra) hasta que estén apretadas uniformemente y el marco de base esté firmemente asegurado al piso. Vea la Figura 26.

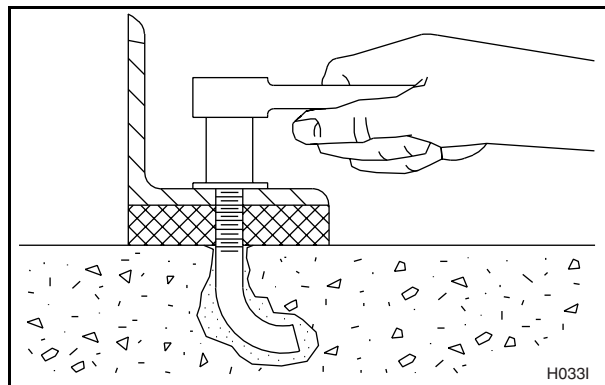


Figura 26

# Instalación

12. Coloque la máquina sobre el bastidor de base y alinee los agujeros de montaje sobre la máquina con los agujeros correspondientes del bastidor.
13. Instale un perno, arandela de seguridad y tuerca en cada uno de los agujeros de montaje. Utilice pernos de montaje de 5/8 plg. 18 x 2 de grado 5 con tuercas de 5/8 plg. 18 de grado B y arandelas de 5/8 plg.
14. Apriete a mano las tuercas.
15. Gire dos vueltas las dos tuercas traseras.
16. Gire dos vueltas las dos tuercas delanteras.
17. En los modelos de 25, 27, 35 y 50 libras, apriete firmemente las dos tuercas del medio.
18. Apriete firmemente las dos tuercas delanteras. Apriete firmemente las dos tuercas traseras.

---

**Nota:** Revise y vuelva a apretar las tuercas de seguridad después de transcurridos los primeros 5 a 10 días de funcionamiento, y posteriormente, una vez cada tres meses.

---

## Instalación de pernos en J

Instale los pernos en J en concreto según los esquemas de pernos de montaje que aparecen en las Figuras 27 y 28. Utilice las instrucciones siguientes y las Figuras 29 a 33 como guía para la instalación paso a paso de los pernos en J.

1. Verifique que el piso sea de concreto reforzado capaz de soportar 3500 PSI como mínimo, construido sobre un relleno limpio compactado. En máquinas de dos velocidades, el piso deberá tener por lo menos 102 mm (4 pulgadas) de espesor. En los modelos de 3 velocidades y velocidad variable (excepto el modelo de 80 libras de capacidad), el piso deberá tener por lo menos 152 mm (6 pulgadas) de espesor. En los modelos de 80 libras de capacidad, el piso deberá tener un espesor de por lo menos 229 mm (9 pulgadas) de espesor.

# Instalación

## Instalación mecánica (continuación)

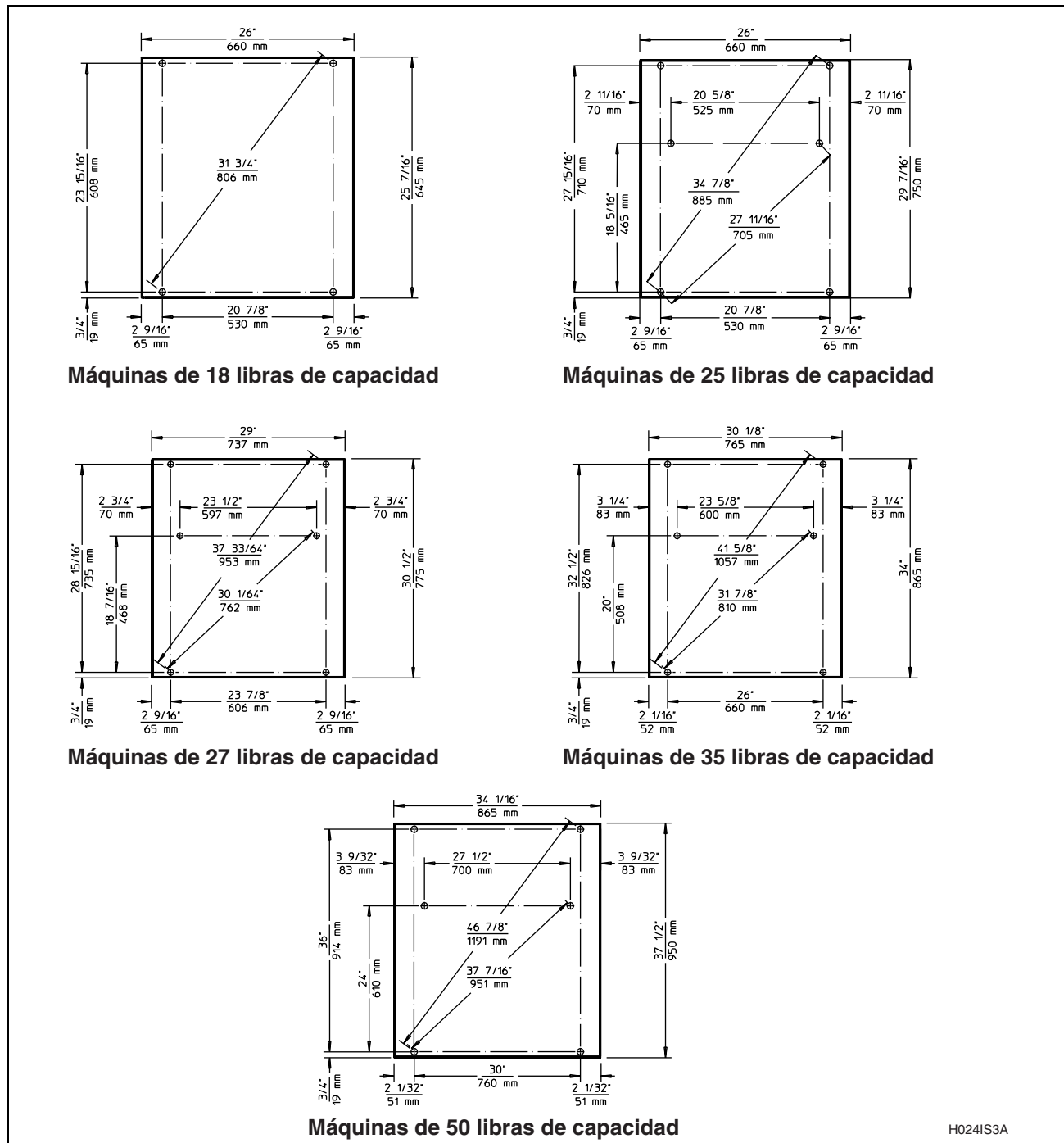


Figura 27



# Instalación

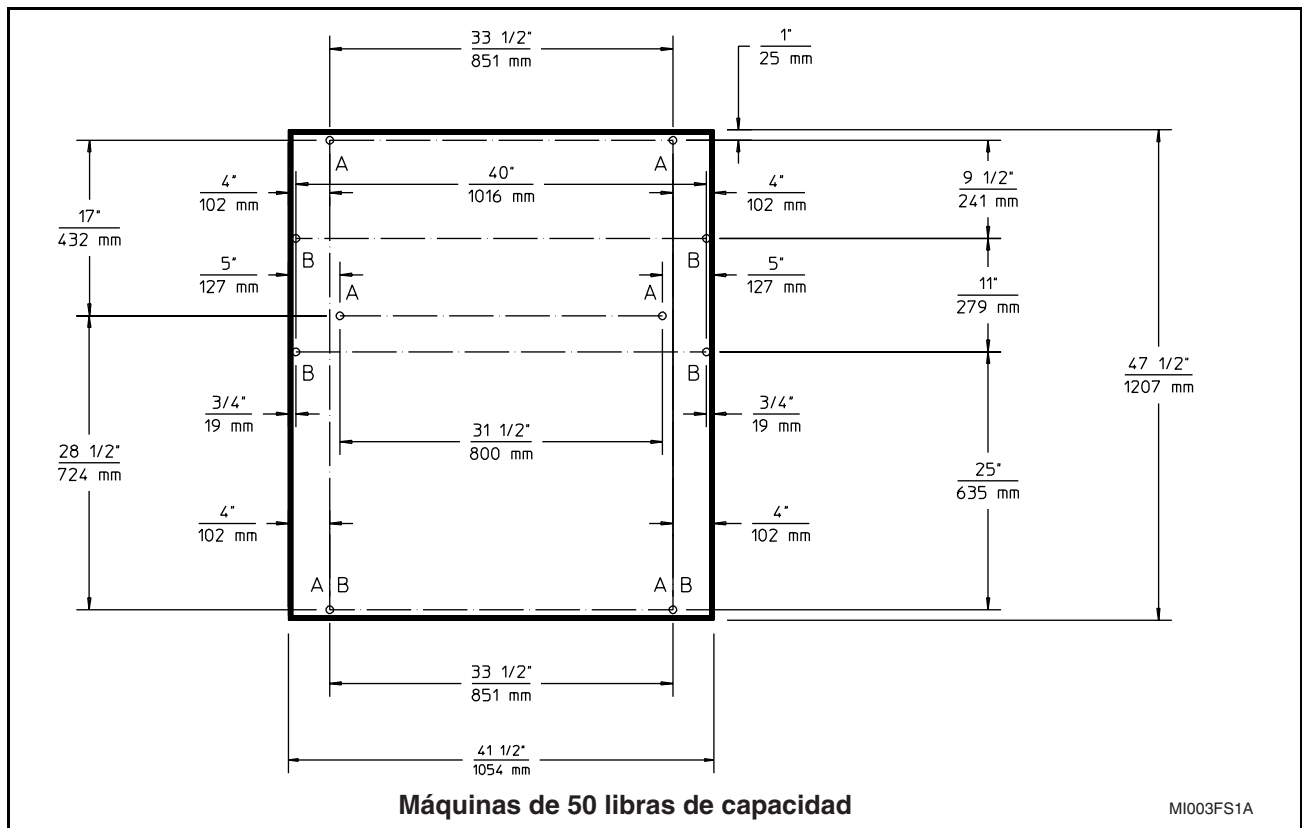


Figura 28

**Nota:** Con la máquina de 80 libras de capacidad pueden utilizarse dos esquemas diferentes de pernos de montaje. Vea la Figura 28. Los agujeros de pernos marcados A se utilizan si la máquina se va a utilizar en una aplicación de montaje cerrado (máquinas instaladas con una separación de 25,4 mm (1 pulgada) una de otra). Los agujeros de pernos marcados B se utilizan si la máquina se va a utilizar en una aplicación de montaje estándar (máquinas instaladas con una separación de 203 mm (8 pulgadas) una de otra).

2. Ajuste el medidor de profundidad del taladro para que coincida con la longitud del perno en J, menos 38 mm (1-1/2 pulgadas). Vea la Figura 29.

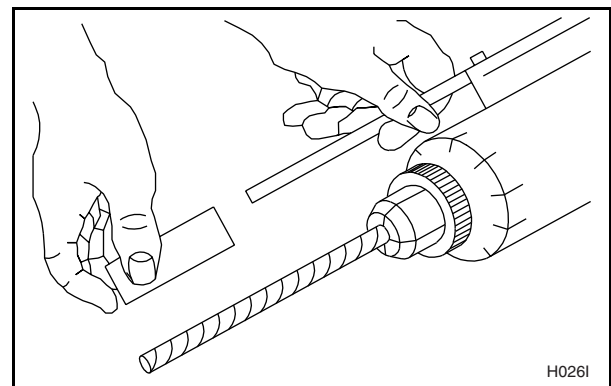


Figura 29

# Instalación

## Instalación mecánica (continuación)

3. Taladre y forme con un cincel un agujero cónico lo suficientemente largo para aceptar el perno en J. Vea la Figura 30.

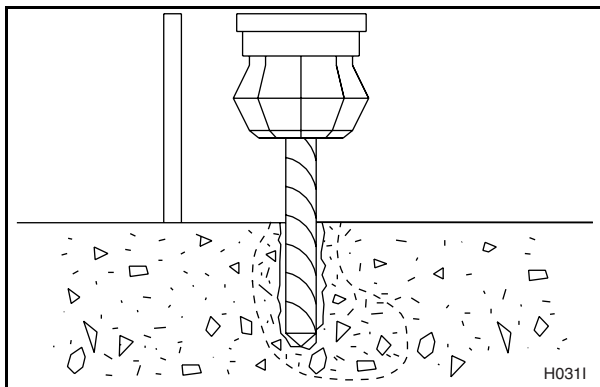


Figura 30

4. Utilice aire comprimido o una perilla sopladora para eliminar las partículas sueltas de cada agujero. Ancle el perno en J en su lugar utilizando un compuesto para anclaje aceptado en la industria. Verifique que los pernos en J estén en los lugares correctos y que cada perno sobresale 38 mm (1-1/2 pulgada) sobre el nivel del piso. Vea la Figura 31.

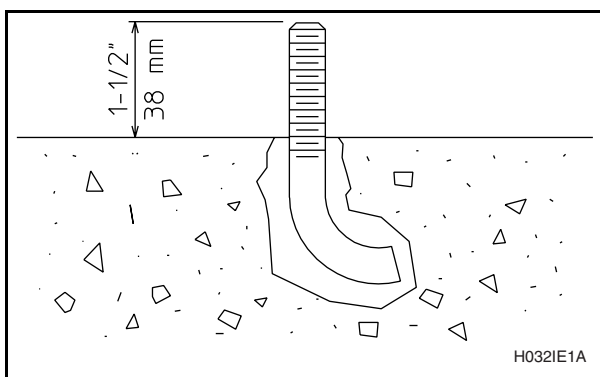


Figura 31

5. Coloque cuidadosamente la máquina sobre los pernos en J. Nunca intente levantar la máquina sujetándola por el tirador de la puerta o empujándola por los paneles de la cubierta.

6. Si la máquina es de **2 velocidades** y la superficie de montaje está nivelada y es uniforme, la lechada es optativa.

Si no se desea utilizar lechada, coloque las arandelas y tuercas de seguridad sobre los pernos en J y apriete las tuercas de seguridad en forma pareja (una tras otra) hasta que estén apretadas uniformemente y el marco de base esté firmemente asegurado al piso. Vea la Figura 26.

Si se desea utilizar lechada (o se requiere debido a la condición de la superficie de montaje) continúe con el paso 7.

Si la máquina es de **3 velocidades** o de **velocidad variable** es necesario utilizar lechada. Continúe con el paso 7.

7. Levante y nivele el bastidor de base 13 mm (1/2 pulgada) sobre el nivel del piso en tres puntos mediante espaciadores, como por ejemplo, tuercas.
8. Rellene el espacio entre la base del bastidor y el piso con una lechada de cemento para maquinaria de buena calidad, que no se contraiga, para asegurar una instalación estable. Rellene con lechada la parte inferior de todos los miembros del bastidor.
9. Retire los espaciadores cuidadosamente, dejando que la máquina se asiente en la lechada húmeda.
10. Antes de que la lechada se seque completamente, haga un agujero de desagüe en la lechada por la parte posterior de la máquina con un pedazo de alambre rígido. El agujero debe ser de aprox. 13 mm (1/2 pulgada) de ancho para permitir que el agua que caiga en la superficie debajo de la base de la máquina escape por dicho agujero. **No omita este paso.**

# Instalación

11. Coloque las arandelas y tuercas de seguridad en los pernos en J y apriete a mano las tuercas a la base de la máquina.
12. Después de que la lechada se ha secado completamente, apriete las tuercas de seguridad en forma pareja (una tras otra) hasta que estén apretadas uniformemente y la máquina esté firmemente asegurada al piso. Vea la Figura 32.

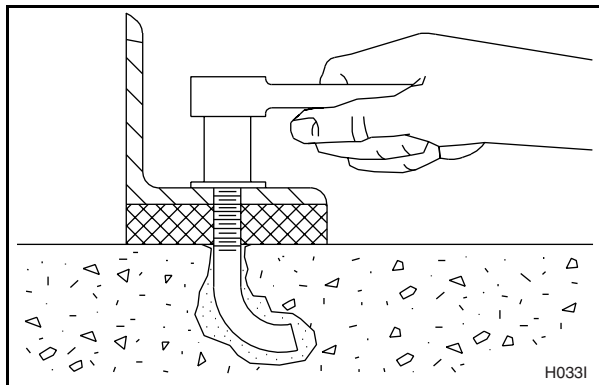


Figura 32

**Nota:** Revise y vuelva a apretar las tuercas de seguridad después de transcurridos los primeros 5 a 10 días de funcionamiento, y posteriormente, una vez cada tres meses.

La Figura 33 muestra la instalación completa de los pernos en J con lechada

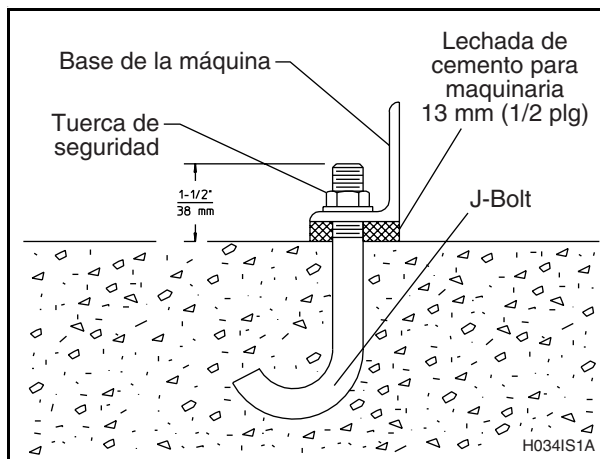


Figura 33

## Plataforma de cimiento de concreto

Puede construirse una plataforma de cimiento de concreto para elevar las máquinas. Vea en la Figura 34 una instalación típica de plataforma de cimiento de concreto.

**Nota:** En instalaciones de plataforma de cimiento de concreto no deben utilizarse pernos de expansión.

1. Verifique que el piso sea de concreto reforzado capaz de soportar 3500 PSI como mínimo, construido sobre un relleno limpio compactado. En máquinas de dos velocidades, el piso deberá tener por lo menos 102 mm (4 pulgadas) de espesor. En los modelos de 3 velocidades y velocidad variable (excepto el modelo de 80 libras de capacidad), el piso deberá tener por lo menos 152 mm (6 pulgadas) de espesor. En los modelos de 80 libras de capacidad, el piso deberá tener un espesor de por lo menos 229 mm (9 pulgadas) de espesor.
2. Rompa y excave el piso hasta una profundidad de aprox. 230 mm (9 pulgadas) bajo el nivel del piso y asegúrese de que el agujero tenga forma piramidal, de tal modo que el ancho de su fondo sea, por cada lado, 127 mm (5 pulgadas) mayor que el ancho de la parte superior del agujero.  
Tenga presente que una vez completada la instalación, la parte superior de la plataforma debe sobresalir del contorno de la máquina por lo menos 102 mm (4 pulgadas).
3. Humedezca el agujero y aplique con una brocha lechada de cemento en el fondo y en los lados.

# Instalación

## Instalación mecánica (continuación)

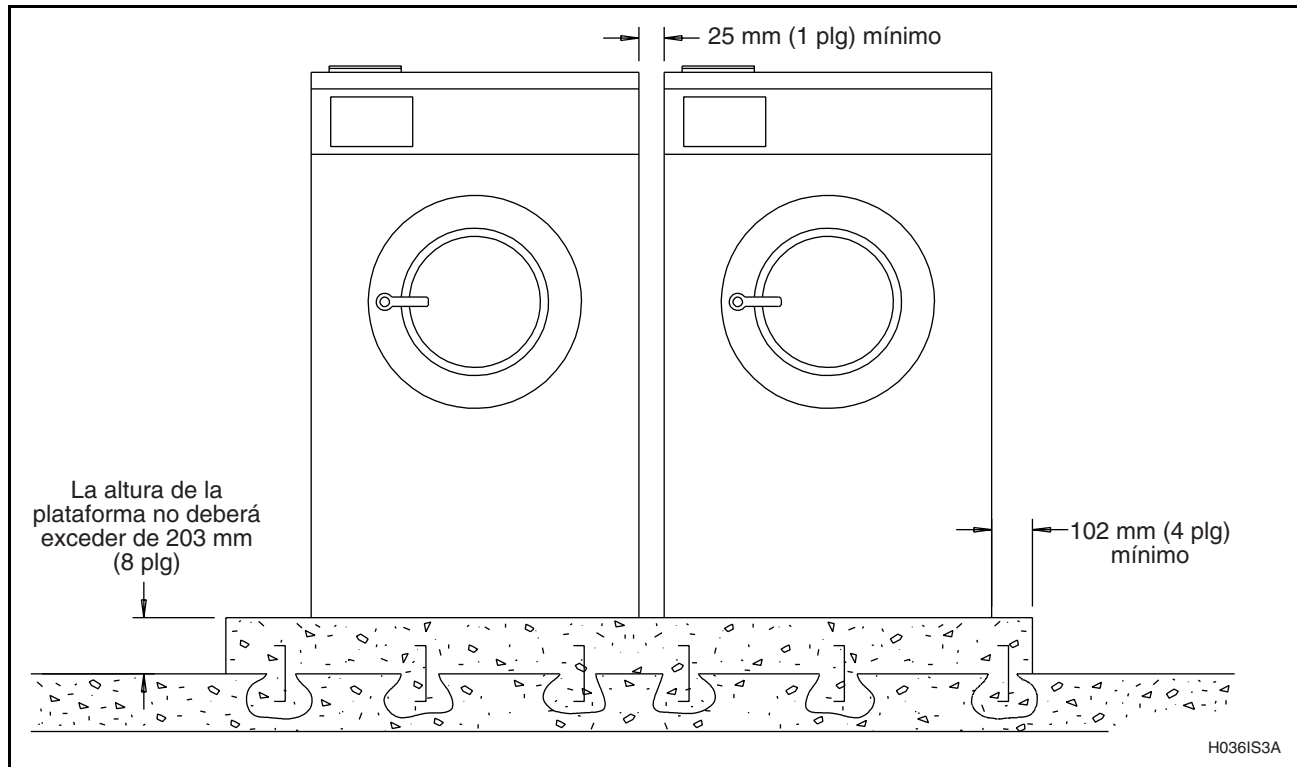


Figura 34

- Utilice rebar u otro material apropiado para asegurar que la plataforma de cemento de concreto esté lo suficientemente sujeta al piso existente.
- Prepare un encofrado para la porción de la plataforma que sobresaldrá del nivel del piso y rellene el encofrado y la excavación con concreto para unir el cimient. Verifique que la parte superior de la plataforma esté nivelada. La altura de la plataforma no deberá exceder de 203 mm (8 pulgadas).
- Utilice el esquema de pernos de montaje que aparece en las Figuras 27 y 28 para colocar adecuadamente los pernos de montaje en el concreto fresco. Cuando utilice pernos en J, deje que sobresalgan 38 mm (1-1/2 pulgada) por encima del concreto.
- Deje secar el concreto.
- Coloque cuidadosamente la máquina sobre los pernos de montaje. Nunca intente levantar la máquina sujetándola por el tirador de la puerta o empujándola por los paneles de la cubierta.
- Si la máquina es de **2 velocidades**, la lechada de cemento es opcional.  
  
Si no se desea utilizar lechada, coloque las arandelas y tuercas de seguridad sobre los pernos en J y apriete las tuercas de seguridad en forma pareja (una tras otra)

# Instalación

hasta que estén apretadas uniformemente y la máquina esté firmemente asegurada al piso. Vea la Figura 35.

Si se desea utilizar lechada continúe con el paso 10.

Si la máquina es de **3 velocidades** o de **velocidad variable** instalada sobre una plataforma de cimiento de concreto, será necesario utilizar lechada. Continúe con el paso 10.

10. Levante y nivele el bastidor de base 13 mm (1/2 pulgada) sobre el nivel del piso en tres puntos mediante espaciadores, como por ejemplo, tuercas.
11. Rellene el espacio entre la base de la máquina y la plataforma con una lechada de cemento para maquinaria de buena calidad, que no se contraiga, para asegurar una instalación estable. Rellene con lechada la parte inferior de todos los miembros del bastidor.
12. Retire los espaciadores cuidadosamente, dejando que el bastidor de base se asiente en la lechada fresca.
13. Antes de que la lechada se seque completamente, haga un agujero de desagüe en la lechada por la parte posterior de la máquina con un pedazo de alambre rígido. El agujero debe ser de aprox. 13 mm (1/2 pulgada) de ancho para permitir que el agua que caiga en la superficie debajo de la base de la máquina escape por dicho agujero. **No omita este paso.**
14. Coloque las arandelas y tuercas de seguridad en los pernos en J y apriete a mano las tuercas a la base de la máquina.

15. Después de que la lechada se ha secado completamente, apriete las tuercas de seguridad en forma pareja (una tras otra) hasta que estén apretadas uniformemente y la máquina esté firmemente asegurada a la plataforma de cimiento de concreto. Vea la Figura 35.

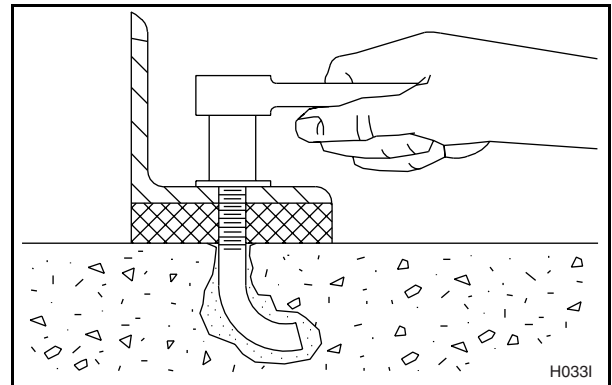


Figura 35

---

**Nota:** Revise y vuelva a apretar las tuercas de seguridad después de transcurridos los primeros 5 a 10 días de funcionamiento, y posteriormente, una vez cada tres meses.

---

# Instalación

## Conexión del desagüe

Es necesario contar con un sistema de desagüe de capacidad adecuada para lograr un buen funcionamiento de la máquina. Idealmente, el agua debe salir por medio de una tubería con ventilación directamente a un desagüe sumergido o de piso. Las Figuras 36 y 37 muestran las configuraciones de línea y canaleta de desagüe.

Debe hacerse una conexión flexible a un sistema de drenaje con ventilación para evitar bloqueos de aire y para evitar los efectos de sifón. Si no se cuenta con el tamaño adecuado de drenaje, es necesario contar con un tanque acumulador. debe usarse un tanque acumulador junto con una bomba de sumidero cuando no sea posible desaguar por gravedad, como por ejemplo en instalaciones subterráneas.

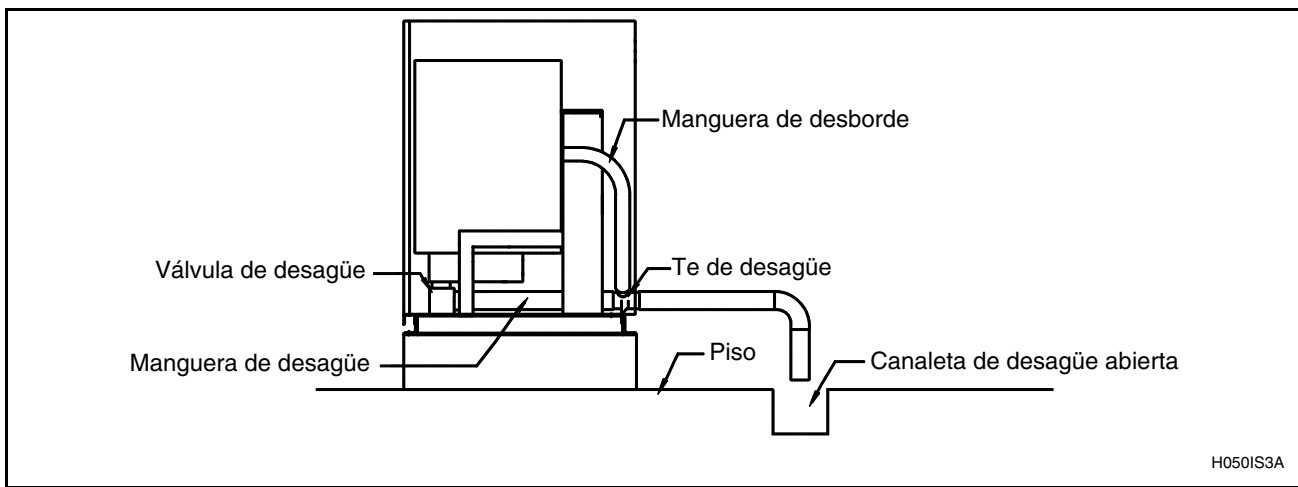


Figura 36

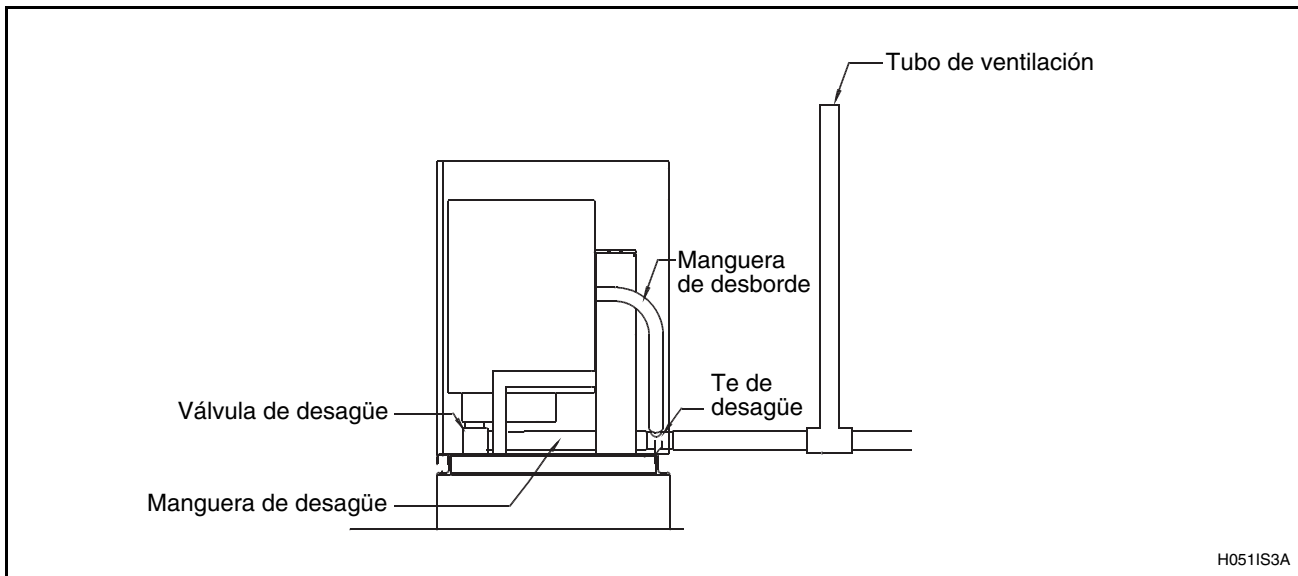


Figura 37

# Instalación

Antes de intentar variar los procedimientos especificados de instalación, el cliente o el instalador debe ponerse en contacto con el distribuidor.

Al aumentar la longitud de la manguera de desagüe, al instalar codos o al causar curvas se disminuye la tasa de flujo de desagüe y se aumentan los tiempos de desagüe, evitando el buen funcionamiento de la máquina.

Vea la tabla de información de desagüe de las máquinas de gabinete de montaje permanente en esta subsección para obtener información específica del desagüe para las distintas capacidades.

La instalación de máquinas adicionales requiere conexiones de desagüe proporcionalmente más grandes. Consulte la tabla de tamaños de las líneas de desagüe para las máquinas de gabinete de montaje permanente en esta subsección.

<b>Información de desagüe Máquina de gabinete de montaje permanente</b>						
	<b>18</b>	<b>25</b>	<b>27</b>	<b>35</b>	<b>50</b>	<b>80</b>
Tamaño de conexión del desagüe, D. I., mm (plg)	52 (2)	52 (2)	52 (2)	52 (2)	76 (3)	76 (3)
Número de salidas de desagüe	1	1	1	1	1	1
Capacidad de flujo del desagüe, l/min (gal/min)	76 (20)	95 (25)	95 (25)	132 (35)	189 (50)	189 (50)
Tamaño de foso para desagüe recomendado, l (pies <sup>3</sup> )	51 (1,80)	66,8 (2,36)	70,3 (2,50)	88,9 (3,14)	128 (4,52)	169 (5,90)

<b>Tamaño de línea de desagüe Máquina de gabinete de montaje permanente D. I. mínimo del desagüe [mm (plg)]</b>					
<b>Modelo</b>	<b>Número de máquinas</b>				
	<b>1</b>	<b>2</b>	<b>3</b>	<b>4</b>	<b>5</b>
18	51 (2)	76 (3)	76 (3)	102 (4)	102 (4)
25	51 (2)	76 (3)	76 (3)	102 (4)	102 (4)
27	51 (2)	76 (3)	76 (3)	102 (4)	102 (4)
35	76 (3)	76 (3)	89 (3-1/2)	102 (4)	102 (4)
50	76 (3)	102 (4)	152 (6)	152 (6)	152 (6)
80	102 (4)	152 (6)	152 (6)	203 (8)	203 (8)

# Instalación

## Conexión de agua

Información de suministro de agua Máquina de gabinete de montaje permanente	
Tamaño de la conexión de entradas de agua, mm (plg)	19 (3/4)
Número de entradas de agua (estándar)	2
Presión recomendada, Barías (PSI)	2 – 5,7 (30 – 85)
Capacidad de flujo de la entrada, l/min (gal/min) (80 PSI)	45 (12)

Se deben instalar conexiones para las líneas de agua caliente y de agua fría de por lo menos los tamaños que se indican en la tabla de tamaños de línea de suministro de agua. La instalación de máquina adicionales requiere líneas de suministro de agua proporcionalmente más grandes. Vea la tabla.

Para conectar el servicio de agua a la máquina con mangueras de goma (caucho), haga lo siguiente:

1. Antes de instalar las mangueras, deje correr el agua en el sistema de agua durante por lo menos dos minutos.
2. Revise los filtros de las mangueras de entrada de la lavadora extractora para asegurarse de que se ajustan bien y de que están limpios antes de conectar las mangueras.
3. Cuelgue las mangueras en un lazo grande; no permita que queden dobladas.

Si necesita mangueras más largas, use mangueras flexibles con filtros de malla. Cada una de las mangueras debe tener un filtro de malla instalado para evitar que la corrosión y las partículas extrañas entren a las válvulas de entrada de agua.

Una presión de agua entre 2 y 5,7 Barías (30 y 85 PSI) ofrece el mejor rendimiento. Aunque la lavadora extractora funciona correctamente a presiones menores, se tarda más en llenar.

Tamaño de las líneas de suministro de agua Máquina de gabinete de montaje permanente			
Capacidad	Número de máquinas	Tamaño de las líneas de suministro [mm (plg)]	
		Principal	Caliente/Fría
18 – 50	1	19 (3/4)	19 (3/4)
	2	25 (1)	19 (3/4)
	3	32 (1-1/4)	25 (1)
	4	38 (1-1/2)	25 (1)
80	1	25 (1)	19 (3/4)
	2	38 (1-1/2)	25 (1)
	3	50 (2)	32 (1-1/4)
	4	50 (2)	38 (1-1/2)

Deben instalarse cojines de aire adecuados en las líneas de suministro para evitar el "golpeteo". Vea la Figura 38. Si la presión del agua es superior a las 60 PSI, se debe utilizar tubería flexible de cobre en vez de mangueras de goma (caucho).

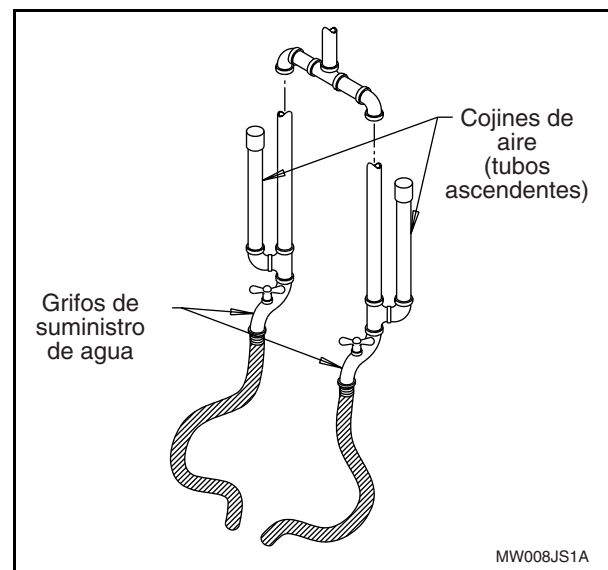



Figura 38


MW008JS1A




# Instalación

## Instalación eléctrica

	<b>ADVERTENCIA</b>
<p>Esta máquina debe ser instalada, ajustada y debe recibir servicio por parte de personal de mantenimiento eléctrico capacitado que esté familiarizado con la construcción y el funcionamiento de este tipo de maquinaria. También deben estar familiarizado con los peligros potenciales involucrados. Si no se cumple con esta advertencia pueden ocasionarse lesiones personales y/o daños al equipo, y puede llegarse a anular la garantía.</p>	
SW004	


	<b>ADVERTENCIA</b>
<p>Existen voltajes peligrosos en las cajas de control eléctrico y en las conexiones del motor. Sólo el personal capacitado que esté familiarizado con los procedimientos de pruebas eléctricas, equipo de pruebas y precauciones de seguridad debe intentar hacer ajustes y corregir averías. Desconecte la corriente eléctrica de la máquina antes de quitar la cubierta de la caja de control y antes de intentar realizar cualquier procedimiento de servicio.</p>	
SW005	

	<b>ADVERTENCIA</b>
<p>Asegúrese de conectar a tierra a partir de una conexión tierra adecuada a la orejeta terminal de conexión a tierra cerca del bloque de suministro de corriente de esta máquina. Si no se conecta a tierra correctamente, se pueden ocasionar lesiones personales debidas a descargas eléctricas y la máquina puede fallar.</p>	
SW008	

Las máquinas equipadas con un mando inversor de CA requieren un suministro limpio de corriente, libre de picos y sobrevoltajes


momentáneos. Debe usarse un medidor de voltaje para monitorear el suministro de corriente. La compañía de electricidad que da servicio al cliente puede proporcionarle tal medidor.

Si el voltaje de entrada es mayor de 230 Voltios para un mando de 200 Voltios, o es mayor de 440 Voltios para un mando de 400 Voltios, solicite a la compañía de electricidad que reduzca el voltaje. Como alternativa, su distribuidor cuenta con juegos de transformadores reductores. Para voltajes superiores a 250 y 490 Voltios se requieren medidas adicionales. Póngase en contacto con su distribuidor o con el fabricante para obtener ayuda.

	<b>ADVERTENCIA</b>
<p>Nunca toque las conexiones o los componentes del mando inversor de CA a menos de que haya desconectado la corriente eléctrica y que la luz del diodo indicador de carga (CHARGE) esté apagada. El mando inversor de CA retiene voltaje potencialmente mortal durante algún tiempo después de que se desconecta la corriente. No existen piezas a las que el usuario pueda dar servicio dentro del mando inversor de CA. Si se altera o toca indebidamente el mando se anula la garantía.</p>	
SW009	

# Instalación

## Instalación eléctrica (continuación)

	<b>PELIGRO</b>
<p>Cuando se controla el mando inversor de CA con una unidad de parámetros, se evitan la computadora de la máquina y sus características de seguridad. Esto permitiría que la canasta girara a altas velocidades mientras la puerta estuviera abierta.</p> <p>Cuando use una unidad de parámetros para controlar el mando inversor de CA, debe colocar un aviso grande frente a la máquina advirtiendo a la gente del peligro inminente.</p> <p style="text-align: right;"><small>SW003</small></p>	

Las máquinas de 2 y de 3 velocidades tienen un protector de sobrecarga térmico en los devanados del motor de mando y un fusible separado para el circuito de control. Las máquinas monofásicas requieren un interruptor de circuito de retardo monofásico. Las máquinas trifásicas, en cambio, requieren un interruptor de circuito de retardo trifásico.

En las máquinas de velocidad variable, el mando inversor de CA ofrece protección de sobrecarga térmico para el motor de mando. Sin embargo, debe instalarse un interruptor de circuito trifásico independiente para obtener la protección completa contra las sobrecargas eléctricas. Esto evita daños al motor desconectando todos los conductores si alguno de perdiera accidentalmente. Revise la placa de datos en la parte posterior de la lavadora extractora o consulte la tabla de especificaciones eléctricas en esta subsección donde aparecen los requisitos de los interruptores de circuito.

---

**Nota:** NO use fusibles en vez de un interruptor de circuito.

---

La lavadora extractora debe conectarse a un circuito independiente sin compartir con el sistema de alumbrado ni con cualquier otro equipo.

La conexión debe estar blindada en una tubería portacables a prueba de líquidos o tubo flexible aprobado con conductores apropiados del tamaño correcto instalados de acuerdo con el Código Eléctrico Nacional (de los Estados Unidos) o con otros códigos aplicables. La conexión debe hacerla un electricista capacitado utilizando el diagrama de cableado que se entrega con la lavadora extractora, o de acuerdo a las normas europeas aceptadas para equipo aprobado por la comunidad europea.


Use conductores de los tamaños indicados en la tabla de especificaciones eléctricas para corridas de hasta 50 pies. Use el siguiente tamaño para corridas entre 50 y 100 pies. Use 2 tamaños más grandes para corridas mayores de 100 pies.

Por su seguridad personal y para obtener un funcionamiento correcto, la lavadora extractora debe estar conectada a tierra de acuerdo con las normas estatales y locales. Si no existen tales normas, la conexión a tierra debe hacerse conforme al Código Eléctrico Nacional (de los Estados Unidos), artículo 250-95. La conexión a tierra debe hacerse a una conexión a tierra aprobada, no a algún conducto ni a tuberías de agua.

No haga la conexión a tierra al conductor neutral (conductor neutral blanco) en la tira de conexiones.

# Instalación

Si no se dispone de servicio trifásico para los modelos de 2 y 3 velocidades, y se utiliza un Roto-Phase u otro adicionador de fase, el terminal artificial deberá conectarse a L3 en la caja de conexiones de la alimentación de entrada.

	<b>PRECAUCIÓN</b>
No use un adicionador de fases en ninguna máquina de velocidad variable.	
SW037	

Si la máquina se va a alimentar mediante un suministro de cuatro terminales, la compañía de electricidad deberá proporcionarse un conductor neutral.

Si utiliza un sistema de suministro en delta con el modelo de cuatro terminales, el conductor superior puede ser conectado a L3. El conectar la máquina inadecuadamente dañará el equipo y anulará la garantía.

# Instalación

## Instalación eléctrica (continuación)

Especificaciones eléctricas Máquina de gabinete de montaje permanente Modelos de 18 libras de capacidad												
Designación de voltaje					Estándar				Calor eléctrico			
Código	Voltaje	Ciclo	Fase	Conductor	Amperios a carga total	Interruptor de circuito	AWG	mm <sup>2</sup>	Amperios a carga total	Interruptor de circuito	AWG	mm <sup>2</sup>
<i>Modelos de 2 velocidades</i>												
B	110-120	60	1	2	15	20	12	4,00	N/A			
C	380-415	50	3	4	4	15	14	2,50	14	15	14	2,50
D	220-240	50	3	3	5	15	14	2,50	24	25	10	6,00
E	220-240	50	1	2	10	20	12	4,00	42	45	6	16,0
F	440-480	60	3	3	4	15	14	2,50	16	20	12	4,00
O	208-240	60	3	3	5	15	14	2,50	24	25	10	6,00
U	380	50	3	4	4	15	14	2,50	14	15	14	2,50
	240	50	3	3	5	15	14	2,50	24	25	10	6,00
Y	208-240	60	1	2	10	20	12	4,00	N/A			
<i>Modelos de 3 velocidades</i>												
A	208-240	60	3	4	7	15	14	2,50	24	30	10	6,00
C	380-415	50	3	4	5	15	14	2,50	15	20	12	4,00
D	220-240	50	3	3	7	15	14	2,50	24	30	10	6,00
F	440-480	60	3	3	5	15	14	2,50	15	20	12	4,00
O	208-240	60	3	3	7	15	14	2,50	24	30	10	6,00
<i>Modelos de velocidad variable</i>												
O	208-240	60	3	3	3,84	15	14	2,50	N/A			
Y	208-240	60	1	2	3,84	15	14	2,50	N/A			
<b>Nota:</b> Los tamaños de los conductores que se indican son para alambre de cobre, código THHN (termoplástico resistente al calor), 90° de acuerdo al artículo 310 de NEC.												

# Instalación

Especificaciones eléctricas Máquina de gabinete de montaje permanente Modelos de 25 y 27 libras de capacidad												
Designación de voltaje					Estándar				Calor eléctrico			
Código	Voltaje	Ciclo	Fase	Conductor	Amperios a carga total	Interruptor de circuito	AWG	mm <sup>2</sup>	Amperios a carga total	Interruptor de circuito	AWG	mm <sup>2</sup>
<i>Modelos de 2 velocidades</i>												
C	380-415	50	3	4	4	15	14	2,50	15	15	14	2,50
D	220-240	50	3	3	6	15	14	2,50	24	25	10	6,00
E	220-240	50	1	2	10	20	12	4,00	42	45	6	16,0
F	440-480	60	3	3	4	15	14	2,50	16	20	12	4,00
O	208-240	60	3	3	7	15	14	2,50	25	25	10	6,00
U	380	50	3	4	4	15	14	2,50	15	15	14	2,50
	240	50	3	3	6	15	14	2,50	24	25	10	6,00
Y	208-240	60	1	2	10,5	20	12	4,00	N/A			
<i>Modelos de velocidad variable (sólo modelos de 27 libras de capacidad)</i>												
O	208-240	60	3	3	4,8	15	14	2,50	N/A			
Y	208-240	60	1	2	4,8	15	14	2,50	N/A			
<b>Nota:</b> Los tamaños de los conductores que se indican son para alambre de cobre, código THHN (termoplástico resistente al calor), 90° de acuerdo al artículo 310 de NEC.												

# Instalación

## Instalación eléctrica (continuación)

Especificaciones eléctricas												
Máquina de gabinete de montaje permanente												
Modelos de 35 libras de capacidad												
Designación de voltaje					Estándar				Calor eléctrico			
Código	Voltaje	Ciclo	Fase	Conductor	Amperios a carga total	Interruptor de circuito	AWG	mm <sup>2</sup>	Amperios a carga total	Interruptor de circuito	AWG	mm <sup>2</sup>
<i>Modelos de 2 velocidades</i>												
C	380-415	50	3	4	5	15	14	2,50	26	30	10	6,00
D	220-240	50	3	3	7	20	12	4,00	43	50	6	16,0
E	220-240	50	1	2	12	25	10	6,00	N/A			
F	440-480	60	3	3	5	15	14	2,50	26	30	10	6,00
O	208-240	60	3	3	7	20	12	4,00	43	50	6	16,0
U	380	50	3	4	5	15	14	2,50	26	30	10	6,00
	240	50	3	3	7	20	12	4,00	43	50	6	16,0
Y	208-240	60	1	2	12	25	10	6,00	N/A			
<i>Modelos de 3 velocidades</i>												
A	208-240	60	3	4	12	30	10	6,00	44	50	6	16,0
C	380-415	50	3	4	6	20	12	4,00	28	30	10	6,00
D	220-240	50	3	3	10	30	10	6,00	44	50	6	16,0
F	440-480	60	3	3	6	20	12	4,00	28	30	10	6,00
O	208-240	60	3	3	12	30	10	6,00	44	50	6	16,0
<i>Modelos de velocidad variable</i>												
O	208-240	60	3	3	5,86	15	14	2,50	N/A			
Y	208-240	60	1	2	5,86	15	14	2,50	N/A			
<b>Note:</b> Los tamaños de los conductores que se indican son para alambre de cobre, código THHN (termoplástico resistente al calor), 90° de acuerdo al artículo 310 de NEC.												

# Instalación

Especificaciones eléctricas Máquina de gabinete de montaje permanente Modelos de 50 libras de capacidad												
Designación de voltaje					Estándar				Calor eléctrico			
Código	Voltaje	Ciclo	Fase	Conductor	Amperios a carga total	Interruptor de circuito	AWG	mm <sup>2</sup>	Amperios a carga total	Interruptor de circuito	AWG	mm <sup>2</sup>
<i>Modelos de 2 velocidades</i>												
C	380-415	50	3	4	6	15	14	2,50	39	50	6	16,0
D	220-240	50	3	3	10	20	12	4,00	64	70	4	25,0
E	220-240	50	1	2	15	30	10	6,00	N/A			
F	440-480	60	3	3	6	15	14	2,50	39	50	6	16,0
O	208-240	60	3	3	10	20	12	4,00	64	70	4	25,0
Y	208-240	60	1	2	15	30	10	6,00	10	20	12	4,00
<i>Modelos de 3 velocidades</i>												
A	208-240	60	3	4	13	30	10	6,00	64	70	4	25,0
C	380-415	50	3	4	7	20	12	4,00	39	50	6	16,0
D	220-240	50	3	3	13	30	10	6,00	62	70	4	25,0
F	440-480	60	3	3	7	20	12	4,00	39	50	6	16,0
O	208-240	60	3	3	13	30	10	6,00	64	70	4	25,0
<i>Modelos de velocidad variable</i>												
O	208-240	60	3	3	10,9	15	14	2,50	66,5	70	4	2,50
Y	208-240	60	1	2	10,9	15	14	2,50	N/A			
<b>Note:</b> Los tamaños de los conductores que se indican son para alambre de cobre, código THHN (termoplástico resistente al calor), 90° de acuerdo al artículo 310 de NEC.												

# Instalación

## Instalación eléctrica (continuación)


Especificaciones eléctricas												
Máquina de gabinete de montaje permanente												
Modelos de 80 libras de capacidad												
Designación de voltaje					Estándar				Calor eléctrico			
Código	Voltaje	Ciclo	Fase	Conductor	Amperios a carga total	Interruptor de circuito	AWG	mm <sup>2</sup>	Amperios a carga total	Interruptor de circuito	AWG	mm <sup>2</sup>
<i>Modelos de 3 velocidades</i>												
A	208-240	60	3	4	15	40	6	16	90	100	1	45
C	380-415	50	3	4	9	20	12	4	41	45	6	16
D	220-240	50	3	3	14	40	6	16	89	90	2	35
F	440-480	60	3	3	9	20	12	4	46	50	6	16
O	208-240	60	3	3	15	40	6	16	90	100	1	45
W	380-415	50	3	3	9	20	12	4	41	45	6	16
<i>Modelos de velocidad variable</i>												
F	440-480	60	3	3	4,49	15	14	2,50	N/A			
O	208-240	60	3	3	12,4	20	12	4	87,46	90	2	35
<b>Note:</b> Los tamaños de los conductores que se indican son para alambre de cobre, código THHN (termoplástico resistente al calor), 90° de acuerdo al artículo 310 de NEC.												

Si tras conectar la alimentación la máquina no funciona, desconecte la alimentación y revise el fusible del circuito de control. Desbloquee y levante la cubierta superior. En los modelos de temporizador mecánico, computadora serie P y computadora serie S, el fusible del circuito de control está en el puntal central. En los modelos equipados con computadoras EDC y V, los fusibles del circuito de control doble (uno primario y uno secundario) se encuentran en el módulo de control. Cada fusible está identificado por una etiqueta que indica la capacidad en cada uno de los modelos.

Si el fusible del circuito de control está quemado, reemplácelo con un fusible de la capacidad indicada en la etiqueta. Si el fusible de repuesto se quema, llame a un técnico calificado.



## Requisitos de vapor (Sólo para la opción de calor por vapor)

	<b>ADVERTENCIA</b>
Nunca toque las tuberías internas o externas de vapor, sus conexiones o componentes. Estas superficies pueden estar sumamente calientes y causan graves quemaduras. Es necesario cerrar el suministro de vapor y dejar que se enfríen las tuberías, las conexiones y los componentes antes de poder tocar las tuberías.	
SW014	

Para lavadoras extractoras equipadas con calor a vapor opcional instale tubería de acuerdo con las prácticas comerciales aprobadas para manejo de vapor. Los requisitos de vapor aparecen en la siguiente tabla.

<b>Información de suministro de vapor Máquina de gabinete de montaje permanente</b>	
Conexión de suministro de vapor, mm (plg)	13 (1/2)
Número de entradas de vapor	1
Presión recomendada, Barías (PSI)	2,0 – 5,4 (30 – 80)
Presión máxima, Barías (PSI)	5,4 (80)

---

**Nota:** El no instalar el filtro de vapor puede anular la garantía.

---

# Instalación

## Sistema de suministro por inyección de productos químicos

Las máquinas que se vayan a utilizar en lavanderías comerciales pueden acoplarse a un sistema de suministro de productos químicos líquidos externo. Para obtener más información consulte la tabla del sistema de inyección de productos químicos que aparece en esta subsección.



### ADVERTENCIA

Use protección para los ojos y las manos cuando use productos químicos. Siempre evite el contacto directo con productos químicos. Lea las instrucciones del productor acerca de las precauciones a seguir en caso de contacto accidental, antes de usar los productos químicos. Asegúrese de que exista un lugar para enjuagarse los ojos y una ducha (regadera) de emergencia a la mano. Revise a intervalos regulares para asegurarse de que no existan fugas de productos químicos.

SW016

### Sistema de suministro por inyección de productos químicos Máquinas de gabinete de montaje permanente

Número de compartimientos de suministro de polvos	3
Número de compartimientos de suministro de líquidos	4 or 5*
Tamaño de las conexiones de suministro de líquidos, mm (plg)	8 (5/16)

\* Sólo los modelos de computadora serie V tienen 5 conexiones de suministro.

El goteo de productos químicos sin diluir puede dañar su lavadora extractora. Por lo tanto, todas las bombas de suministro de productos químicos deben estar instaladas por debajo del punto de inyección a la lavadora. Toda la tubería de suministro también debe correr por debajo del punto de inyección. Los lazos no evitan el goteo si no se siguen estas instrucciones. Si no se cumple con estas instrucciones se puede dañar la máquina y anular la garantía. La Figura 39 muestra un sistema típico de inyección de productos químicos.

# Instalación

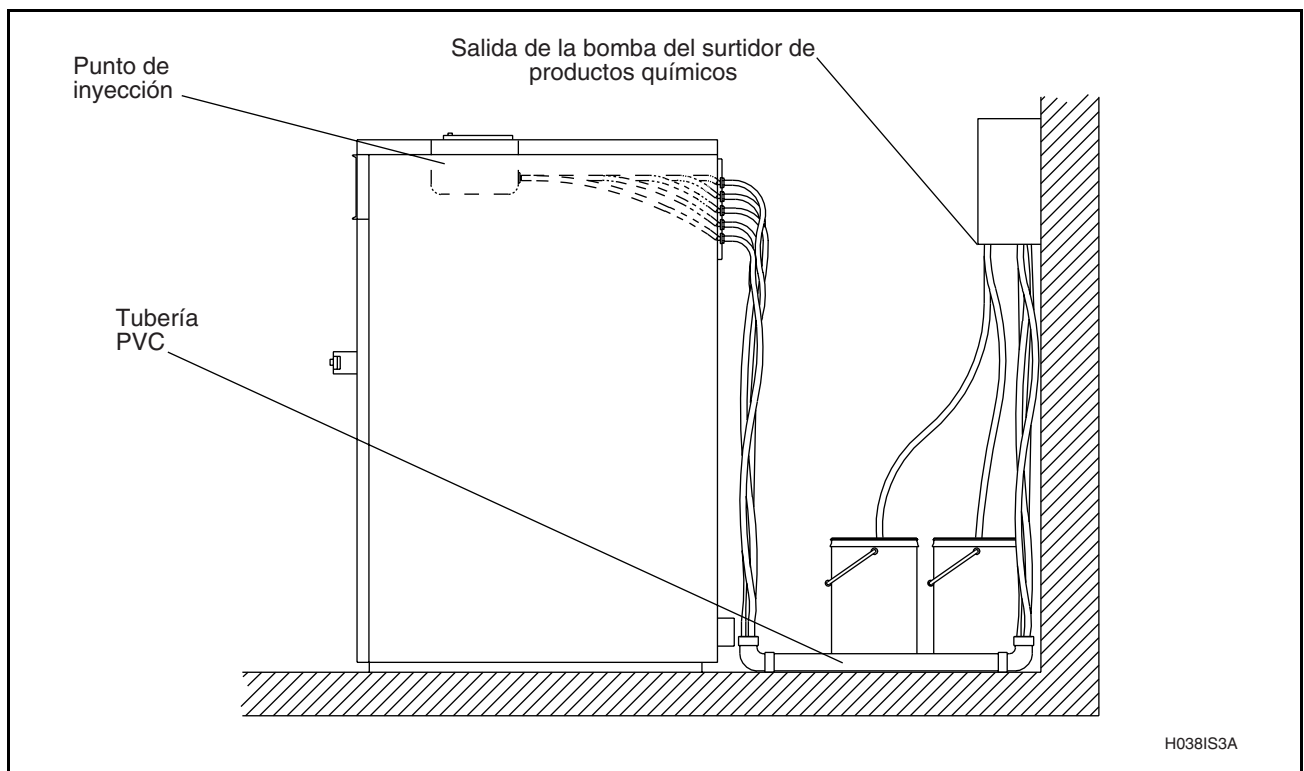


Figura 39

# Instalación

## Sistema de suministro por inyección de productos químicos (continuación)

Cuatro conexiones para mangueras (cinco en los modelos equipados con computadora serie V) ubicadas en la parte posterior de la máquina facilitan el acople a un sistema de suministro de inyección de productos químicos externo. Las conexiones para mangueras están dispuestas, ya sea sobre una línea recta o sobre las aristas de un cuadrado. La Figura 40 indica muestra la correspondencia entre las conexiones para mangueras y las entradas de suministro.

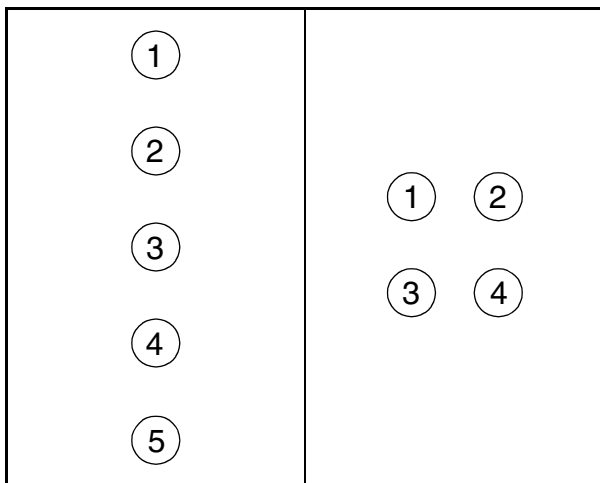


Figura 40

Una tira de conexiones ubicada en la caja de conexiones de la alimentación de entrada suministra las señales de salida de suministro para el sistema de suministro de inyección de productos químicos.

---

**Nota:** No intente conectar los terminales eléctricos de la bomba de suministro de inyección de productos químicos a puntos diferentes de los designados en fábrica específicamente para tal fin.

---

Las máquinas conectadas a 200VCA ofrecen las salidas L1 y L2 protegidas por fusibles de 3 amperios, que pueden utilizarse para alimentar bombas de suministro de 208-240VCA.

Las máquinas conectadas a 400VCA no vienen con las salidas L1 y L2. Es necesario proporcionar una fuente de alimentación externa para alimentar la bomba de suministro de productos químicos.

No utilice L1 ni L2 con la línea común para aplicar 120VCA a las bombas de suministro de inyección de productos químicos si la máquina está equipada con un transformador de control. El transformador no podrá suministrar la corriente suficiente para hacer funcionar los circuitos de control y activar las bombas de suministro de productos químicos.

	<b>PRECAUCIÓN</b>
No intente tomar 110VCA mediante L1 o L2 con el terminal común; los circuitos de la máquina lavadora y/o el sistema de inyección de productos químicos podrían dañarse. El usar uno de los terminales de 240VCA en la lavadora extractora y la tierra física para obtener 110VCA podría causar problemas al microprocesador.	
SW028	

Consulte las instrucciones del sistema de suministro de inyección de productos químicos para obtener detalles de operación. Vea las etiquetas de las tiras de conexiones en las Figuras 41 a 47.

# Instalación

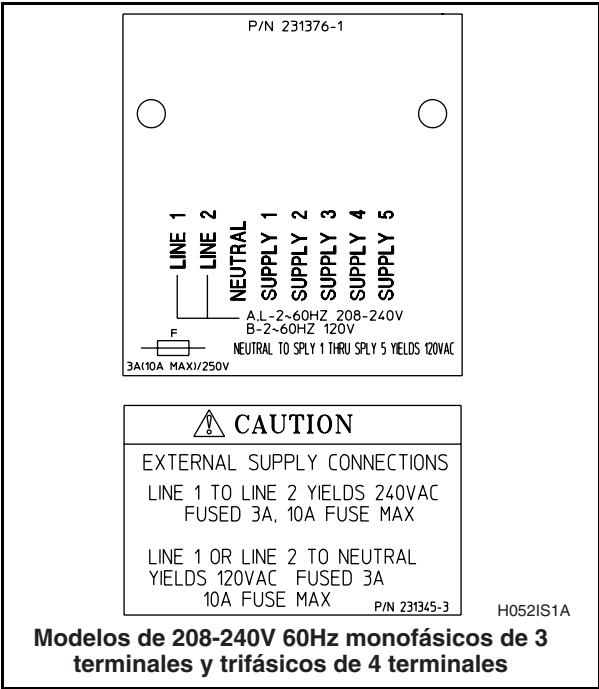


Figura 41

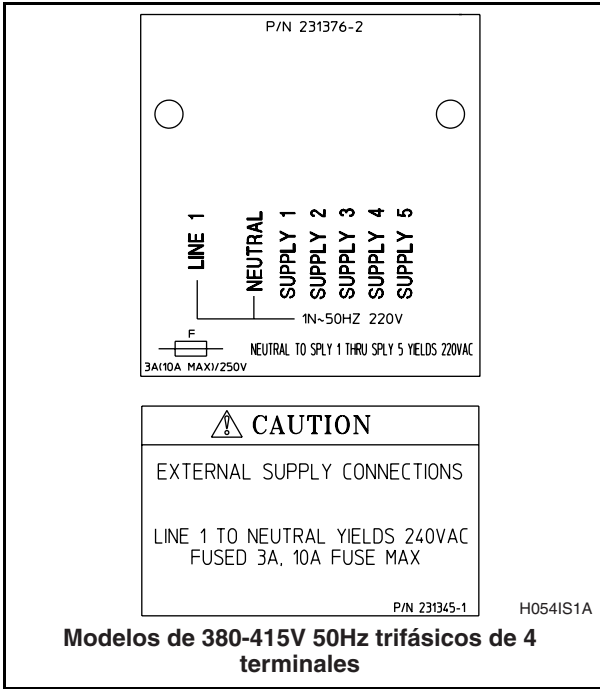


Figura 43

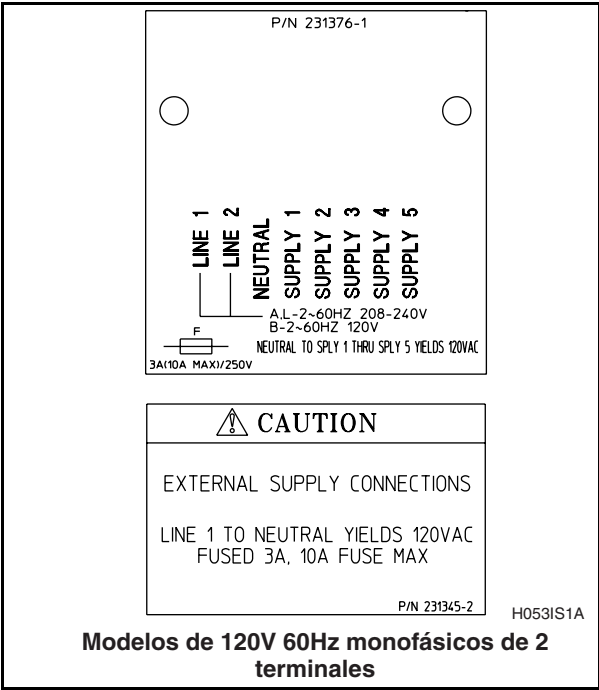


Figura 42

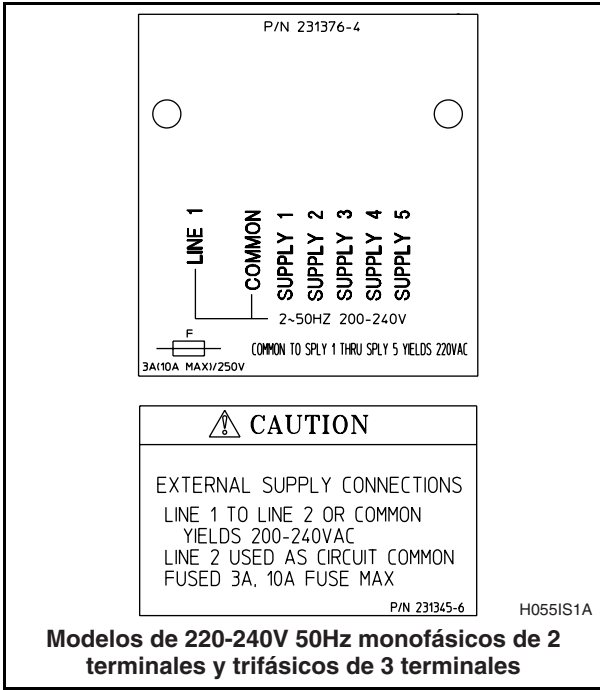


Figura 44

# Instalación

## Sistema de suministro por inyección de productos químicos (continuación)

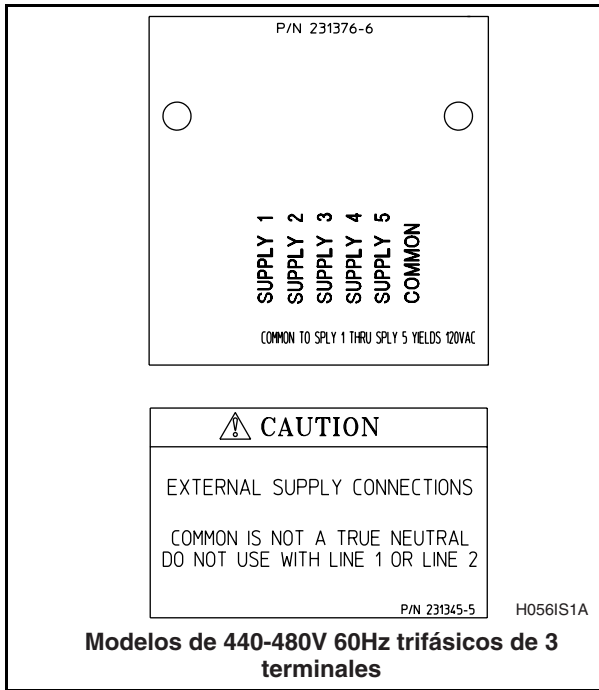


Figura 45

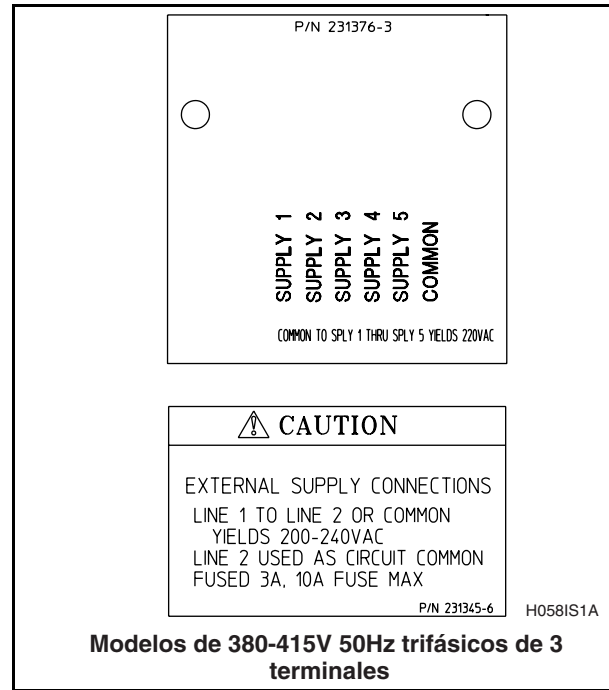


Figura 47

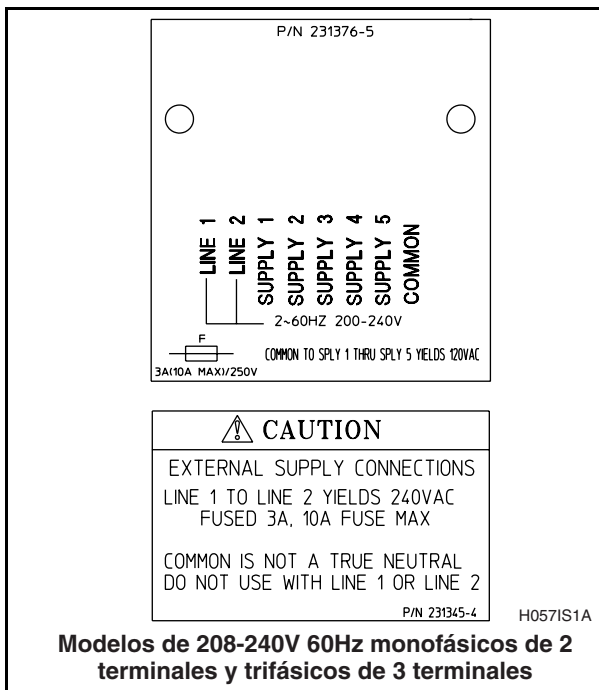


Figura 46

## Prueba de función de control

La lavadora extractora debe ser limpiada una vez que se haya terminado de realizar la instalación. Una prueba de función debe ser llevada a cabo entonces en la máquina sin ropa:

1. Revise el suministro de corriente para determinar características tales como el voltaje correcto, las fases y los ciclos para asegurarse de que son correctos para la lavadora extractora.
2. Abra las válvulas de cierre manual a la lavadora extractora.
3. Conecte la corriente eléctrica a la lavadora extractora.
4. Revise el funcionamiento del enclavamiento de la puerta antes de comenzar a usar la máquina:
  - a. Abra la puerta de carga.

En máquinas equipadas con monederos, pulse el botón redondo del tirador de la puerta y gire el tirador hacia abajo.

En máquinas de lavanderías comerciales, pulse y mantenga pulsado el botón de abrir la puerta ubicada en el lado izquierdo del panel de control. Pulse el botón redondo del tirador de la puerta y gire el tirador hacia abajo.
  - b. Intente arrancar la lavadora con la puerta abierta. No debe poder arrancarla con la puerta abierta.
  - c. Cierre la puerta sin el seguro e intente arrancar la máquina. No debe poder arrancarla mientras la puerta no esté cerrada con el seguro.

- d. Cierre y ponga el seguro a la puerta y comience un ciclo. Trate de abrir la puerta mientras se está realizando un ciclo. La puerta no debe poder abrirse.

Si el seguro de la puerta o el sistema de enclavamiento no funcionan correctamente, llame a un técnico de servicio.

5. Deje que la máquina funcione durante un ciclo completo, revisando el funcionamiento de las válvulas de entrada de agua y las funciones de desagüe y extracción.
6. La rotación del cilindro debe ser en el sentido contrario al de las agujas del reloj en el paso de extracción. Si la rotación no fuera en el sentido del reloj en el paso de extracción, desconecte la corriente eléctrica. En máquinas de velocidad variable, haga que un electricista capacitado invierta dos conexiones cualquiera del motor en el bloque de terminales de mando de CA (terminales U, V y W). Vea la Figura 48. En máquinas de 2 y 3 velocidades, haga que un electricista capacitado, valiéndose del diagrama de cableado incluido, determine cuáles terminales deben intercambiarse.

# Instalación

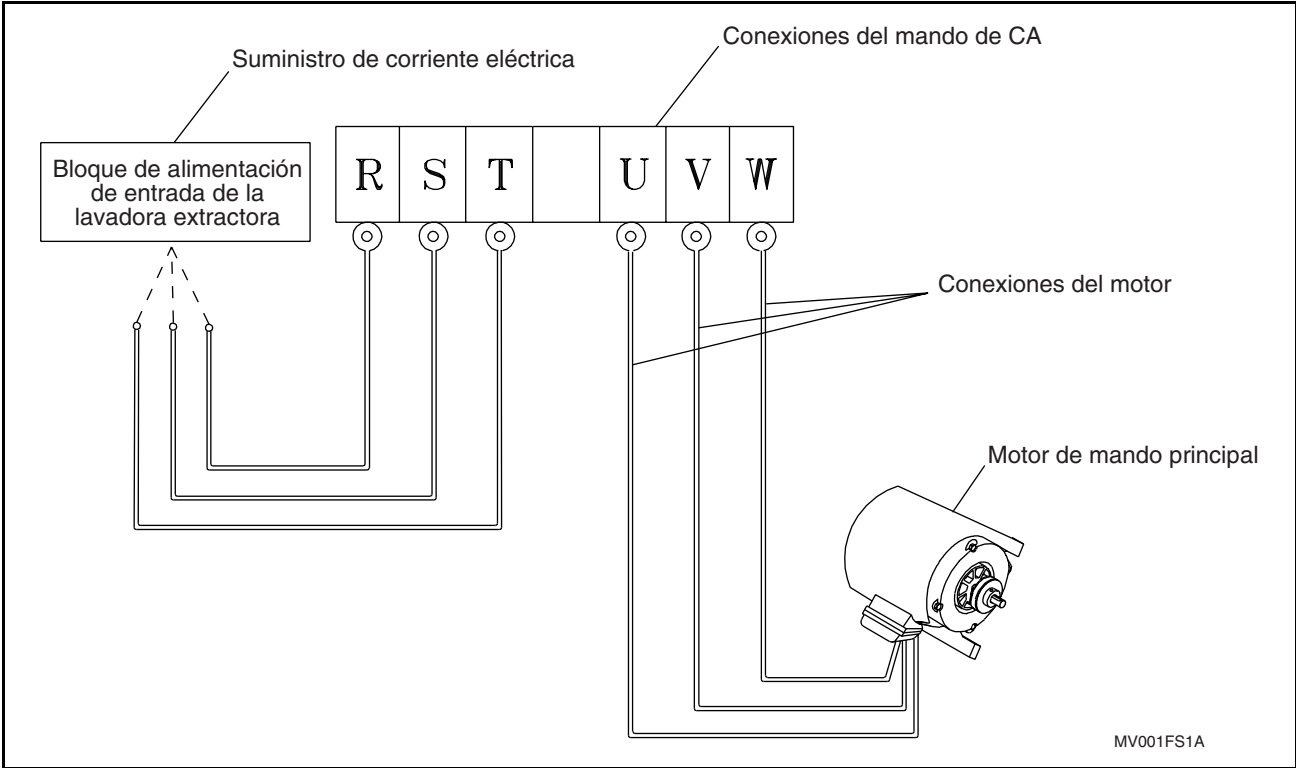


Figura 48




---


## Sección 3

# Mantenimiento

---

El mantenimiento de rutina permite mantener la máxima eficiencia de funcionamiento del equipo y mantener a un mínimo los tiempos muertos. Los procedimientos de mantenimiento descritos a continuación prolongan la vida de la máquina y ayudan a evitar accidentes.

	<b>ADVERTENCIA</b>
Tenga cuidado al manejar piezas de lámina de metal. Las orillas con filo pueden causar lesiones personales. Use anteojos (gafas) y guantes de seguridad, use las herramientas apropiadas y tenga una iluminación adecuada.	
SW035	

	<b>PRECAUCIÓN</b>
Vuelva a colocar los paneles que quite para realizar los procedimientos de servicio y mantenimiento. No use la máquina si le faltan protectores de seguridad, si le faltan piezas o si algunas piezas están averiadas. No evite ningún dispositivo de seguridad.	
SW019	

Al final de esta sección hay unas listas de revisión diaria, semanal, mensual y trimestral. Mande a laminar estas listas de revisión para protegerlas y poder hacer copias a menudo. Los operadores y los técnicos deben incluir más revisiones que correspondan a aplicaciones específicas de la lavadora extractora. Dejamos espacio libre en las listas de revisiones con ese propósito.

Los siguientes procedimientos de mantenimiento deben llevarse a cabo regularmente a los intervalos requeridos.

### Diariamente

#### Al comienzo del día

1. Revise que no haya fugas en las conexiones de las mangueras a la válvula de entrada de agua en la parte de atrás de la lavadora extractora.
2. Revise que no haya fugas en las conexiones de la manguera de vapor (cuando se aplique).
3. Verifique que el aislante esté intacto en todos los cables externos y que todas las conexiones estén fijas. Si puede ver cable sin recubrir, llame a un técnico de servicio.
4. Revise el sistema de enclavamiento antes de usar la máquina:
  - a. Intente arrancar la lavadora con la puerta abierta. No debe poder arrancarla con la puerta abierta.
  - b. Cierre la puerta sin el seguro e intente arrancar la máquina. No debe poder arrancarla mientras la puerta no esté cerrada con seguro.
  - c. Cierre y ponga el seguro a la puerta y comience un ciclo. Trate de abrir la puerta mientras se esté realizando un ciclo. La puerta no debe poder abrirse.

Si el seguro de la puerta o el sistema de enclavamiento no funcionan correctamente, llame a un técnico de servicio.

# Mantenimiento

## Diariamente (continuación)

### Al final del día

1. Limpie el empaque de la puerta para quitar todos los residuos de detergente y de partículas extrañas.
2. Limpie la tapa del surtidor de suministros y el área circundante. Enjuague el surtidor con agua limpia.
3. Limpie la parte de arriba y delantera de la lavadora extractora y los paneles laterales con un detergente ligero. Enjuague con agua limpia.
4. Deje abierta la puerta de carga de ropa al final de cada día de trabajo para dejar que se evapore la humedad.

---

**Nota:** Saque la ropa de la lavadora extractora tan pronto como sea posible *después de que termine cada ciclo* para evitar que se acumule humedad. Deje la puerta abierta *después de cada ciclo* para que se evapore la humedad.

---

## Semanalmente

1. **En los modelos de velocidad variable solamente**, limpie el (los) filtro(s) de la caja de mando de CA semanalmente o más frecuentemente, según se requiera:


---

**Nota:** Si la luz indicadora de mantenimiento del filtro está encendida, hay que limpiar inmediatamente el filtro del ventilador para evitar posibles daños. Pulse el botón del termostato para hacer que la luz se apague.

---

- a. Abra la cubierta superior.

- b. Tome la agarradera del filtro y tire de ella hacia arriba para sacar el filtro.
- c. Lave el filtro con agua tibia y deje que se seque al aire. Alternativamente, puede limpiarse con una aspiradora.

	<b>ADVERTENCIA</b>
La cubierta del módulo de control y el filtro del ventilador deberán estar en su lugar para que el ventilador pueda enfriar adecuadamente el mando del inversor de CA. El no observar esta advertencia anulará la garantía y podría acarrear una costosa reparación del mando del inversor de CA.	
SW038	

2. Revise que no haya fugas en la lavadora extractora.
  - a. Inicie un ciclo sin carga para llenar la lavadora extractora.
  - b. Verifique que la puerta y que el empaque de la puerta no tengan fugas.
  - c. Verifique que la válvula de desagüe esté funcionando y que el sistema de desagüe no tenga ninguna obstrucción. Si no se fuga agua durante el segmento de prelavado, significa que la válvula de desagüe está cerrada y que funciona correctamente.

## Mensualmente

---

**Nota:** Desconecte la corriente eléctrica a la lavadora extractora en su fuente antes de realizar los procedimientos de mantenimiento mensual.

---

# Mantenimiento

1. **En los modelos de 80 libras de capacidad solamente**, lubrique los rodamientos y sellos una vez al mes **o** después de cada 200 horas de uso. Vea la Figura 49.

a. Utilice grasa de alta calidad de grado 2 con base de litio. Nunca mezcle dos tipos diferentes de grasa, como por ejemplo, petróleo y silicona.

b. Bombee lentamente la pistola de aplicación de grasa, dando sólo la cantidad de aplicaciones siguiente:

- Grasea de rodamiento: dos aplicaciones

- Grasea de sello: una aplicación

No bombee la pistola de aplicación de grasa hasta que salga grasa de la caja del rodamiento, ya que podría ocasionar una sobrelubricación y dañaría los rodamientos y los sellos.

2. Realice los siguientes procedimientos para determinar si las correas en V deben ser cambiadas o si necesitan ajustes. Llame a un técnico de servicio en cualquiera de estos casos.

- a. Revise si las correas en V se han desgastado en forma desigual y si tienen orillas deshilachadas.

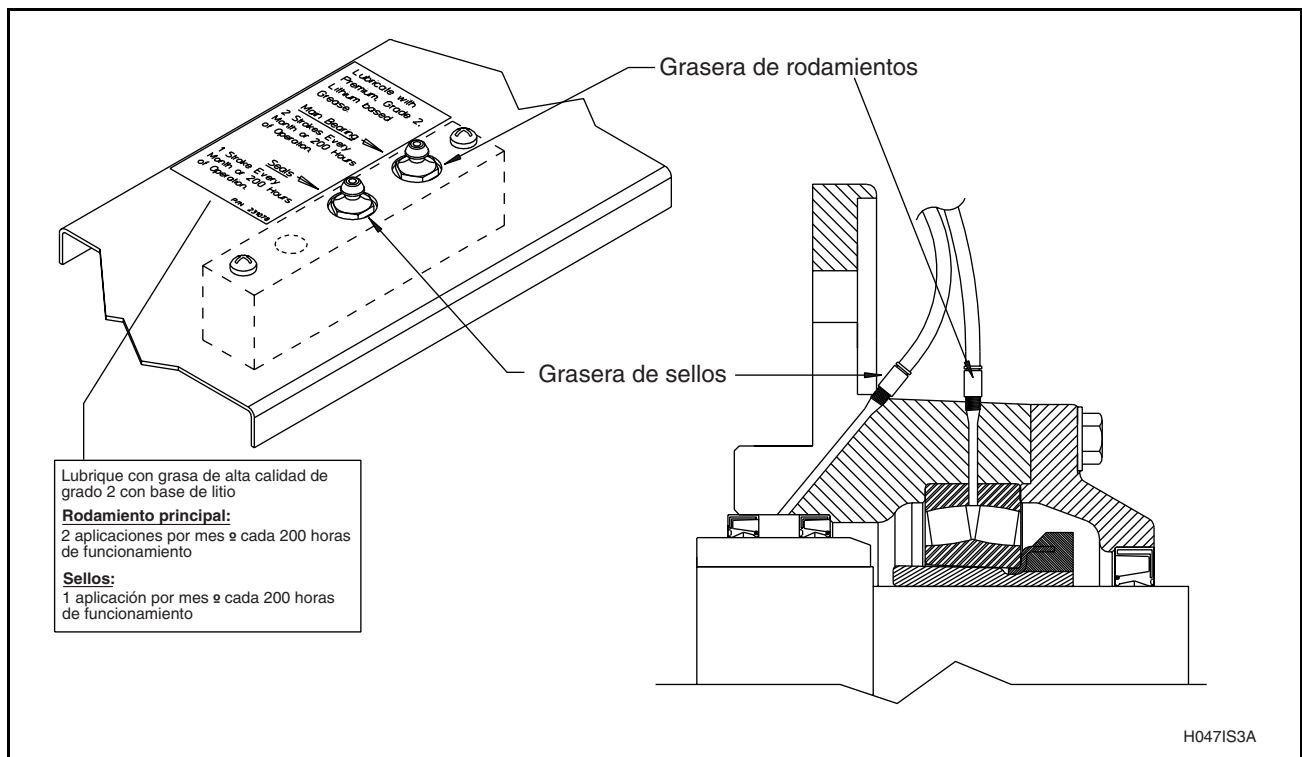


Figura 49

# Mantenimiento

## Mensualmente (continuación)

- b. En sistemas impulsados por polea de garganta, verifique la alineación colocando una regla entre ambas caras de la polea. El objeto deberá hacer contacto con las poleas en cuatro lugares. Vea la Figura 50.

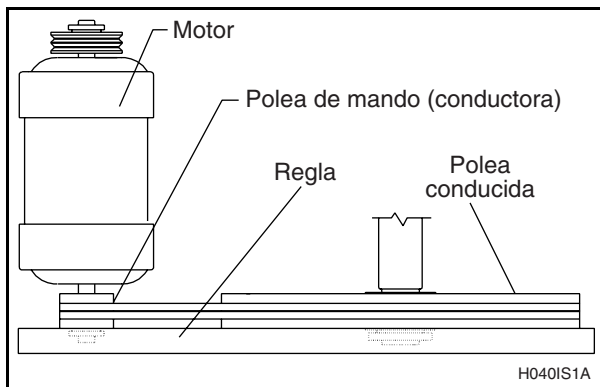


Figura 50

- c. En sistemas de mando de polea plana, verifique la distancia permitida de la correa desde el borde de la polea según la tabla siguiente:

Máquinas de gabinete de montaje permanente	
Alineación de correa plana	
Modelo	Distancia permitida desde el borde (plg)
18	3/32
27	3/32
35	3/32
50	3/8

- d. En modelos de 3 velocidades y velocidad variable solamente, verifique que la tensión de las correas en V es la correcta aplicando una fuerza fija a la correa y midiendo la deflexión.

Vea los márgenes de tensiones de correa aceptables en las tablas siguientes. Las mediciones de tensión de la correa deben realizarse lo más cerca posible del centro de la longitud de la distancia libre entre poleas. Vea la Figura 51.

- Desmonte el panel posterior y revise si la manguera de derrame y la manguera de desagüe tienen fugas.
- Quite el seguro a la cubierta con bisagras y revise las mangueras de suministro y sus conexiones.

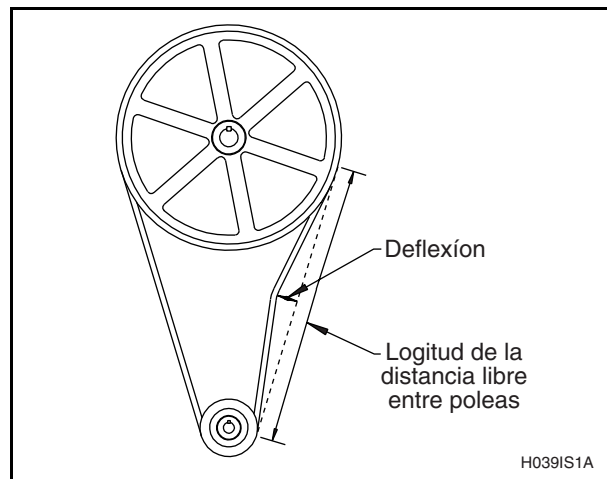


Figura 51

- Limpie las mallas de filtro de las mangueras de entrada:
  - Cierre el agua y, si fuera necesario, deje que se enfríe la válvula.
  - Destornille las mangueras de entrada y saque las mallas de filtro.
  - Límpielas con agua jabonosa y vuélvalas a instalar. Cámbielas si están dañadas o desgastadas.

# Mantenimiento

Prueba de tensión de correa en máquinas de gabinete de montaje permanente para modelos de 3 velocidades					
Modelo	Código de voltaje	Correa	Longitud de la distancia libre entre poleas [mm (plg)]	Margen de deflexión [mm (plg)]	Fuerza Mín.-Máx. [N (lbs)]
18	C, D	Motor-Basket	389 (15,3)	5,6 – 6,4 (7/32 – 1/4)	19,6 – 29,4 (4,4 – 6,6)
	A, F, O	Motor-Basket	396 (15,6)	5,6 – 6,4 (7/32 – 1/4)	15,6 – 24,5 (3,5 – 5,5)
35	C, D	Motor-Motor	422 (16,6)	6,4 – 7,1 (1/4 – 9/32)	19,6 – 29,4 (4,4 – 6,6)
		Motor-Basket	241 (9,5)	3,2 – 4,0 (1/8 – 5/32)	19,6 – 29,4 (4,4 – 6,6)
	A, F, O	Motor-Motor	429 (16,9)	6,4 – 7,1 (1/4 – 9/32)	15,6 – 24,5 (3,5 – 5,5)
		Motor-Basket	241 (9,5)	3,2 – 4,0 (1/8 – 5/32)	19,6 – 29,4 (4,4 – 6,6)
50	C, D	Motor-Motor	368 (14,5)	5,6 – 6,4 (7/32 – 1/4)	19,6 – 29,4 (4,4 – 6,6)
		Motor-Basket	246 (9,7)	3,2 – 4,0 (1/8 – 5/32)	16,9 – 24,9 (3,8 – 5,6)
	A, F, O	Motor-Motor	376 (14,8)	5,6 – 6,4 (7/32 – 1/4)	15,6 – 24,5 (3,5 – 5,5)
		Motor-Basket	246 (9,7)	3,2 – 4,0 (1/8 – 5/32)	16,9 – 24,9 (3,8 – 5,6)
80	C, D	Motor-Motor	404 (15,9)	5,6 – 6,4 (7/32 – 1/4)	31,6 – 40,5 (7,1 – 9,1)
		Motor-Basket	371 (14,6)	5,6 – 6,4 (7/32 – 1/4)	20,0 – 31,2 (4,5 – 7,0)
	A, F, O	Motor-Motor	414 (16,3)	6,4 – 7,1 (1/4 – 9/32)	20,0 – 31,2 (4,5 – 7,0)
		Motor-Basket	246 (9,7)	5,6 – 6,4 (7/32 – 1/4)	20,0 – 31,2 (4,5 – 7,0)

Prueba de tensión de correa en máquinas de gabinete de montaje permanente para modelos velocidad variable				
Modelo	Correa	Longitud de la distancia libre entre poleas [mm (plg)]	Margen de deflexión [mm (plg)]	Fuerza Mín.-Máx. [N (lbs)]
18	Motor-Basket	377,8 (14,9)	8,7 – 9,5 (11/32 – 3/8)	18 – 22 (4,0 – 4,9)
27	(Self-tensioning)			
35	Motor-Basket	428 (16,9)	7,9 – 8,7 (5/16 – 11/32)	27 – 33 (6,1 – 7,4)
50	Motor-Basket	426 (16,8)	7,1 – 7,9 (9/32 – 5/16)	27 – 33 (6,1 – 7,4)
80	Motor-Basket	561 (22,1)	11,9 – 12,7 (15/32 – 1/2)	21,8 – 31,5 (4,9 – 7,3)

# Mantenimiento

## Mensualmente (continuación)

6. Apriete las contratueras de los pernos de montaje y las contratueras de los pernos de los rodamientos, si fuera necesario.
7. Use aire comprimido para quitar la pelusa acumulada en el motor.
8. Limpie el interior de la lavadora extractora, tanto la canasta como la coraza, limpiándolas con una esponja o con un trapo humedecido en agua.
9. Use aire comprimido para asegurarse de que ninguno de los componentes eléctricos tenga humedad y polvo.
10. **En máquinas de velocidad variable solamente**, limpie mensualmente las paletas del ventilador de enfriamiento del mando de CA (más frecuentemente si se hace necesario debido a las condiciones del aire).
  - a. Abra la cubierta superior y saque la cubierta del módulo de control.
  - b. Limpie suavemente las paletas del ventilador con un paño seco.

## Trimestralmente

**Nota:** Desconecte la corriente eléctrica a la máquina antes de realizar los procedimientos de mantenimiento trimestral.

1. Apriete las bisagras y los seguros de la puerta, si fuera necesario.
2. Apriete los pernos de anclaje, si fuera necesario.
3. Verifique que el protector del motor de desagüe esté en su lugar y fijo.

4. Revise si hay metal a la vista en las superficies pintadas. (El fabricante tiene disponible pintura gris igual a la original.)
  - Si puede ver el metal, pinte con una base o con pintura con base de solvente.
  - Si aparece oxidación, quítela con lija o con algún método químico. Luego pinte con una base o con pintura con base de solvente.
5. Limpie el filtro de vapor (donde corresponda). Vea la Figura 52.
  - a. Cierre el suministro de vapor y deje que se enfríe la válvula.
  - b. Destornille la tapa.
  - c. Quite el elemento y límpielo.
  - d. Vuelva a colocar el elemento y la tapa.

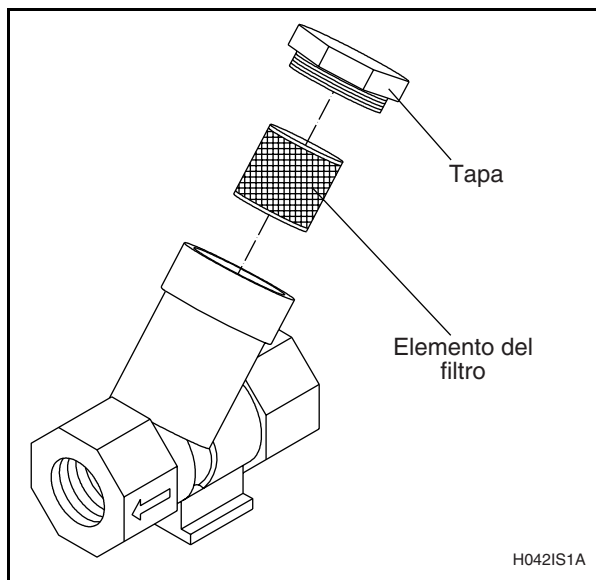


Figura 52

# Mantenimiento

## Cuidados al acero inoxidable

Mantenga la belleza natural del acero inoxidable y prolongue su vida de servicio siguiendo estos consejos:

- Los depósitos ordinarios de polvo y grasa se pueden limpiar con agua y detergente. Debe enjuagar y secar el metal por completo después de lavarlo. La limpieza periódica ayuda a mantener una apariencia brillante en la superficie y evitar la corrosión.
- Debe evitarse lo más posible el contacto con metales distintos. Esto ayuda a evitar la corrosión galvánica cuando hay soluciones salinas o ácidas presentes.
- No se debe permitir que las soluciones salinas o ácidas se evaporen y se sequen sobre superficies de acero inoxidable. Pueden causar corrosión. Asegúrese de limpiar el acero inoxidable de cualquier residuo de solución salina o ácida.
- Los depósitos que tienden a adherirse al acero inoxidable deben ser limpiados, especialmente en los rincones y las esquinas. Al usar limpiadores abrasivos, siempre talle en la dirección de las líneas de pulido o el "grano" del acero inoxidable para evitar rayarlo. Nunca use lija de acero ordinaria o cepillos de acero sobre acero inoxidable. Use lija de acero inoxidable o cepillos suaves no abrasivos.
- Si llegara a parecer que el acero inoxidable estuviera oxidándose, la fuente de la oxidación puede ser alguna pieza de hierro o de acero, no fabricada de acero inoxidable, tal como un clavo o un tornillo. Un remedio es pintar todas las piezas de

acero al carbón con un fuerte recubrimiento protector. Debe usarse tornillería de acero inoxidable siempre que sea posible.

- Los descoloramientos o el tinte producido por los sobrecalentamientos pueden limpiarse con polvos abrasivos o con soluciones químicas especiales.
- No deben dejarse soluciones desinfectantes sobre equipo de acero inoxidable durante períodos prolongados de tiempo. Generalmente contienen cloro, que puede causar corrosión. El acero inoxidable debe ser limpiado y enjuagado completamente con una solución que contenga cloro.
- Cuando se usa un sistema externo de suministro de productos químicos, asegúrese de que no ocurra un efecto de sifón de cualquiera de los productos químicos mientras la lavadora extractora no esté siendo usada. Los productos químicos a altas concentraciones pueden causar daños severos al acero inoxidable y a otros componentes de la lavadora extractora. Los daños de este tipo no están cubiertos por la garantía del fabricante. Instale la bomba por debajo del nivel del punto de inyección a la lavadora extractora para evitar que la máquina sufra el efecto de sifón de productos químicos. Vea la Figura 39 en la sección de Instalación.

# Mantenimiento

## Lista de revisión diaria de mantenimiento preventivo

Máquina _____	Semana de: _____						
Operador _____	Días						
<b>Revisiones</b>	<b>1</b>	<b>2</b>	<b>3</b>	<b>4</b>	<b>5</b>	<b>6</b>	<b>7</b>
<b>¡Cumpla con todas las advertencias!</b>							
<b>Al comienzo del día</b>							
1. Revise si hay fugas en las conexiones de las mangueras a las válvulas de entrada de agua en la parte de atrás de la máquina.							
2. Revise si hay fugas en las conexiones de las mangueras de vapor (cuando se aplique).							
3. Verifique que el aislante esté intacto en todos los cables externos y que todas las conexiones estén seguras.							
4. Revise el seguro y el sistema de enclavamiento de la puerta antes de comenzar a usar la lavadora extractora:							
a. Trate de arrancar la máquina con la puerta abierta.							
b. Cierra la puerta sin ponerle el seguro e intente arrancar la máquina.							
c. Cierre y ponga el seguro a la puerta y comience el ciclo. Intente abrir la puerta mientras el ciclo está funcionando.							
5.							
<b>Al final del día</b>							
1. Limpie el empaque de la puerta, quitando partículas extrañas.							
2. Limpie el surtidor automático de suministros y su tapa.							
3. Limpie la parte superior y delantera de la lavadora extractora y los paneles laterales.							
4. Deje la puerta de carga abierta al final de cada día de trabajo para dejar que se evapore la humedad.							
5.							
6.							
<p><b>Nota:</b> Saque la ropa de la máquina tan pronto como sea posible <i>después de que termine cada ciclo</i>, para evitar que se acumule humedad.</p> <p><b>Nota:</b> Deje la puerta abierta <i>después de cada ciclo de lavado</i> para que se evapore la humedad.</p>							



# Mantenimiento

## Lista de revisión semanal de mantenimiento preventivo

Máquina _____	Mes _____				
Operador _____	Semana que termina				
<b>Revisiones</b>	/	/	/	/	/
<b>¡Cumpla con todas las advertencias!</b>					
1. <b>En máquinas de velocidad variable solamente:</b> Limpie el (los) filtro(s) de la caja de mando de CA.					
2. Revise si la lavadora extractora tiene fugas:					
a. Inicie un ciclo sin carga para llenar la lavadora extractora.					
b. Verifique que la puerta y el empaque no tengan fugas.					
c. Verifique que la válvula de desagüe esté funcionando.					
3.					
4.					
5.					
6.					
7.					
8.					

# Mantenimiento

## Lista de revisión mensual de mantenimiento preventivo

Máquina _____	Mes			
Operador _____				
Revisiones				
<b>¡Cumpla con todas las advertencias!</b> Desconecte la corriente eléctrica a la lavadora extractora antes de realizar los procedimientos de mantenimiento mensual.				
1. <b>En modelos de 80 libras de capacidad solamente: Una vez al mes O después de cada 200 horas de uso,</b> lubrique los rodamientos y los sellos.				
2. Determine si las correas en V deben ser cambiadas o si necesitan ajustes.				
a. Revise si las correas en V se han desgastado en forma desigual y si tienen orillas deshilachadas.				
b. Verifique que las correas en V estén bien alineadas.				
c. <b>En modelos de 3 velocidades solamente:</b> Verifique que cada una de las correas en V tiene aplicada la tensión correcta.				
3. Quite el panel posterior y revise si las mangueras tienen fugas.				
4. Abra la tapa con bisagras y revise las mangueras y las conexiones del surtidor de suministros.				
5. Limpie las mallas de los filtros de las mangueras de suministro. Cámbielas si están desgastadas o dañadas.				
6. Apriete las contratuercas de los pernos de montaje y las contratuercas de los pernos de los rodamientos, si fuera necesario.				
7. Use aire comprimido para limpiar la pelusa acumulada en el motor.				
8. Limpie el interior de la máquina, tanto la canasta como la coraza, limpiándolas con una esponja o con un trapo humedecido en agua.				
9. Use aire comprimido para asegurarse de que ninguno de los componentes eléctricos tenga humedad y polvo.				
10. <b>En modelos de velocidad variable solamente:</b> Limpie las paletas del ventilador de enfriamiento con un paño seco.				
11.				
12.				
13.				
14.				

# Mantenimiento

## Lista de revisión trimestral de mantenimiento preventivo

Máquina _____	Trimestre			
Operador _____				
<b>Revisiones</b>				
<b>¡Cumpla con todas las advertencias!</b>				
<b>Desconecte la corriente eléctrica a la máquina antes de realizar los procedimientos de mantenimiento trimestral.</b>				
1. Apriete las bisagras y los seguros de la puerta, si fuera necesario.				
2. Apriete los pernos de anclaje, si fuera necesario.				
3. Verifique que el protector del motor de desagüe esté en su lugar y fijo.				
4. Revise todas las superficies pintadas para ver si hay metal sin pintar a la vista. Repare si fuera necesario.				
5. Limpie el filtro de vapor, si fuera necesario.				
6.				
7.				
8.				
9.				
10.				
11.				
12.				
13.				
14.				
15.				

# Mantenimiento

## Notas

20 horizontal lines for notes.

---

## Sección 4

# Para poner fuera de servicio

---

### Para poner fuera de servicio

En caso de que la máquina deba ser puesta fuera de servicio, siga estos pasos:

1. Limpie el interior de la máquina, tanto la canasta como la coraza.
  - a. Enjuague el sistema de suministro con agua.
  - b. Inicie un ciclo corto de enjuague para eliminar el detergente y los residuos de productos químicos del interior de la máquina.
2. Desconecte la corriente eléctrica.
  - a. Cierre el suministro principal de energía en la caja de interruptores o en el tablero de control principal.
  - b. Haga que un electricista capacitado desconecte la corriente de la máquina en la fuente de energía.
3. Desconecte las mangueras.
  - a. Desconecte la manguera de desagüe del sumidero, de la canaleta o del drenaje.
  - b. Cierre el suministro de agua. Desconecte las mangueras de entrada de agua fría y caliente de la máquina.
  - c. Deje que toda el agua que haya quedado en la máquina se salga. Luego desconecte la manguera de desagüe de la máquina.
4. Desconecte las mangueras de vapor (si corresponde)
  - a. Cierre el suministro de vapor y deje que las válvulas se enfríen.
  - b. Desconecte las mangueras de vapor de la máquina.
5. Quite la máquina de la plataforma de cemento.
  - a. Deje todos los paneles en su lugar para que la máquina tenga estabilidad al moverla.
  - b. Verifique que la puerta esté cerrada y asegurada.
  - c. Afloje y saque los pernos de montaje.
  - d. Rompa el sello que forma la lechada en cada una de las esquinas de la máquina, utilizando una barra de metal.
  - e. Use barras de metal en las esquinas delanteras para levantar la máquina unas cuantas pulgadas, de tal forma que las barras del montacargas puedan entrar por debajo de la máquina.
  - f. Si asegura con pernos el bastidor de la base a una tarima, se facilita el transporte al vehículo donde va a subir la máquina.

