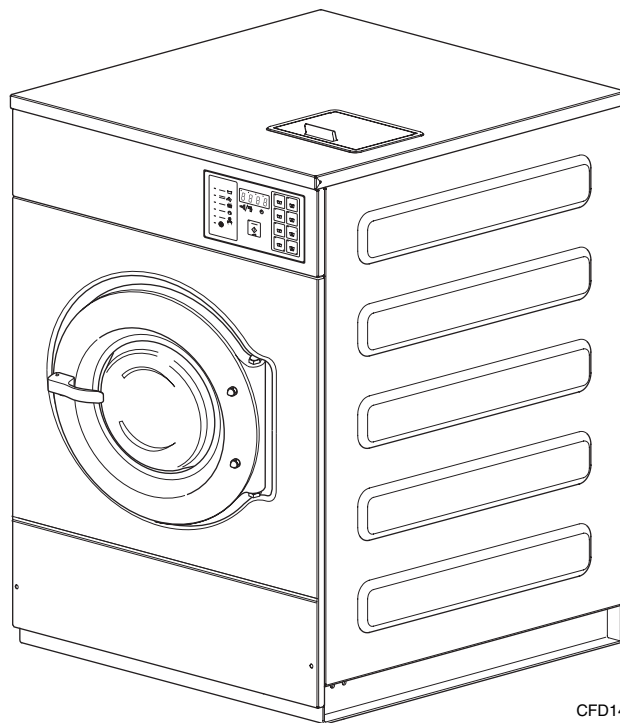


Washer-Extractors

Cabinet Freestanding

Refer to Page 2 for Model Identification



CFD14C

Para bajar una copia de estas instrucciones en español,
visite www.comlaundry.com.

Keep These Instructions for Future Reference.

(If this machine changes ownership, this manual must accompany machine.)



www.comlaundry.com

Part No. 9001910R3
June 2008

— Operation/Maintenance —

Table of Contents

Introduction	2
Model Identification	2
Nameplate Location.....	3
Replacement Parts	3
Customer Service.....	3
Safety Information	5
Explanation of Safety Messages	5
Important Safety Instructions	5
Safety Decals	7
Operator Safety	8
Preliminary Information	9
About the Control	9
Power Failure Recovery	9
Operation	10
Control Panel	10
Summary of Major Features	10
Operating Instructions	11
Maintenance	13
Daily	13
Weekly	13
Monthly.....	14
Yearly	14
Daily Preventive Maintenance Checklist.....	15
Weekly Preventive Maintenance Checklist.....	16
Monthly Preventive Maintenance Checklist.....	17
Yearly Preventive Maintenance Checklist.....	18

© Copyright 2008, Alliance Laundry Systems LLC

All rights reserved. No part of the contents of this book may be reproduced or transmitted in any form or by any means without the expressed written consent of the publisher.

Introduction

Model Identification

Information in this manual is applicable to these models:

18	NX18BVPA6 NX18BVPA7 NX18BVQA6 NX18BVQA7	NX18BVXA6 NX18BVXA7 NX18BVXM6 NX18BVXM7	SX18BVPA7 SX18BVQA7 SX18BVXA7 SX18BVXM7
30	NX30BVPA6 NX30BVPA7 NX30BVQA6 NX30BVQA7	NX30BVXA6 NX30BVXA7 NX30BVXM6 NX30BVXM7	SX30BVPA7 SX30BVQA7 SX30BVXA7 SX30BVXM7

Nameplate Location

The nameplate is located at the rear of the machine. Always provide the machine's serial number and model number when ordering parts or when seeking technical assistance.

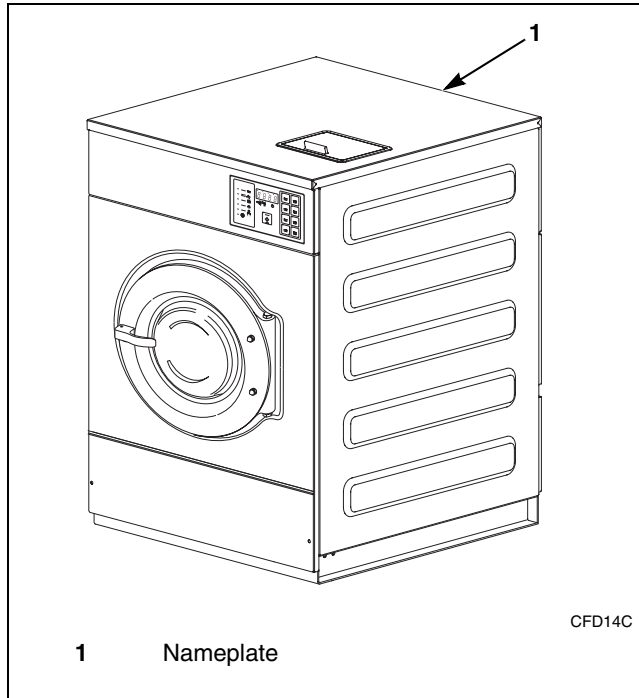


Figure 1

Replacement Parts

If literature or replacement parts are required, contact the source from which the machine was purchased or contact Alliance Laundry Systems at (920) 748-3950 for the name and address of the nearest authorized parts distributor.

Customer Service

For technical assistance, call (920) 748-3121.

Introduction

Model Number Familiarization Guide	
Sample Model Number: *X18BVXM60001	
*X	Model Number Prefix
18	Washer-Extractor Capacity (pounds dry weight of laundry)
B	Type of Electrical Control
V	Washer-Extractor Speed Capability (V = Variable-Speed)
X	Voltage Code
M7	Design Series (M=Domestic, A=International)
0001	Option Identification (varies from machine to machine)

Model No.	*X18BVXM70001	
Serial No.	0000000000	
Voltage	200-240/50-60/1	Amps 6
Required Circuit Breaker	Amps 15	
Hz	50-60	Wire 2/3+PE Phase 1
Max. Load	18 LB	8 KG
		Max. Speed 1000 RPM
Elec. Heating	KW	Steam Press. PSI BAR

EXAMPLE OF NAMEPLATE


CFD532N


Figure 2


Safety Information

Explanation of Safety Messages

Precautionary statements (“DANGER,” “WARNING,” and “CAUTION”), followed by specific instructions, are found in this manual and on machine decals. These precautions are intended for the personal safety of the operator, user, servicer, and those maintaining the machine.

	DANGER
DANGER indicates the presence of a hazard that will cause severe personal injury, death, or substantial property damage if the danger is ignored.	

	WARNING
WARNING indicates the presence of a hazard that can cause severe personal injury, death, or substantial property damage if the warning is ignored.	


	CAUTION
CAUTION indicates the presence of a hazard that will or can cause minor personal injury or property damage if the caution is ignored.	

Additional precautionary statements (“IMPORTANT” and “NOTE”) are followed by specific instructions.

IMPORTANT: The word “IMPORTANT” is used to inform the reader of specific procedures where minor machine damage will occur if the procedure is not followed.

NOTE: The word “NOTE” is used to communicate installation, operation, maintenance or servicing information that is important but not hazard related.

Important Safety Instructions

	WARNING
To reduce the risk of fire, electric shock, serious injury or death to persons when using your washer, follow these basic precautions:	
W023	


1. Read all instructions before using the washer.
2. Refer to the **GROUNDING INSTRUCTIONS** in the **INSTALLATION** manual for the proper grounding of the washer.
3. Do not wash textiles that have been previously cleaned in, washed in, soaked in, or spotted with gasoline, kerosene, waxes, cooking oils, dry-cleaning solvents, or other flammable or explosive substances as they give off vapors that could ignite or explode.
4. Do not add gasoline, dry-cleaning solvents, or other flammable or explosive substances to the wash water. These substances give off vapors that could ignite or explode.
5. Under certain conditions, hydrogen gas may be produced in a hot water system that has not been used for two weeks or more. **HYDROGEN GAS IS EXPLOSIVE.** If the hot water system has not been used for such a period, before using a washing machine or combination washer-dryer, turn on all hot water faucets and let the water flow from each for several minutes. This will release any accumulated hydrogen gas. The gas is flammable, do not smoke or use an open flame during this time.
6. Do not allow children to play on or in the washer. Close supervision of children is necessary when the washer is used near children. This is a safety rule for all appliances.
7. Before the washer is removed from service or discarded, remove the door to the washing compartment.
8. Do not reach into the washer if the wash drum is moving.

Safety Information


9. Do not install or store the washer where it will be exposed to water and/or weather.
10. Do not tamper with the controls.
11. Do not repair or replace any part of the washer, or attempt any servicing unless specifically recommended in the user-maintenance instructions or in published user-repair instructions that the user understands and has the skills to carry out.
12. To reduce the risk of an electric shock or fire, DO NOT use an extension cord or an adapter to connect the washer to the electrical power source.
13. Use washer only for its intended purpose, washing textiles.
14. Never wash machine parts or automotive parts in the machine. This could result in serious damage to the basket.
15. ALWAYS disconnect the washer from electrical supply before attempting any service. Disconnect the power cord by grasping the plug, not the cord.
16. Install the washer according to the INSTALLATION INSTRUCTIONS. All connections for water, drain, electrical power and grounding must comply with local codes and be made by licensed personnel when required.
17. To reduce the risk of fire, textiles which have traces of any flammable substances such as vegetable oil, cooking oil, machine oil, flammable chemicals, thinner, etc., or anything containing wax or chemicals such as in mops and cleaning cloths, must not be put into the washer. These flammable substances may cause the fabric to catch on fire by itself.
18. Do not use fabric softeners or products to eliminate static unless recommended by the manufacturer of the fabric softener or product.
19. Keep washer in good condition. Bumping or dropping the washer can damage safety features. If this occurs, have washer checked by a qualified service person.
20. If the supply cord is damaged, it must be replaced by a special cord or assembly available from the manufacturer or its service agent.
21. Be sure water connections have a shut-off valve and that fill hose connections are tight. CLOSE the shut-off valves at the end of each wash day.
22. Loading door MUST BE CLOSED any time the washer is to fill, tumble or spin. DO NOT bypass the loading door switch by permitting the washer to operate with the loading door open.
23. Always read and follow manufacturer's instructions on packages of laundry and cleaning aids. Heed all warnings or precautions. To reduce the risk of poisoning or chemical burns, keep them out of the reach of children at all times (preferably in a locked cabinet).
24. Always follow the fabric care instructions supplied by the textile manufacturer.
25. Never operate the washer with any guards and/or panels removed.
26. DO NOT operate the washer with missing or broken parts.
27. DO NOT bypass any safety devices.
28. Failure to install, maintain, and/or operate this washer according to the manufacturer's instructions may result in conditions which can produce bodily injury and/or property damage.


NOTE: The WARNINGS and IMPORTANT SAFETY INSTRUCTIONS appearing in this manual are not meant to cover all possible conditions and situations that may occur. Common sense, caution and care must be exercised when installing, maintaining, or operating the washer.


Any problems or conditions not understood should be reported to the dealer, distributor, service agent or the manufacturer.

	WARNING
<p>This machine must be installed, adjusted, and serviced by qualified electrical maintenance personnel familiar with the construction and operation of this type of machinery. They must also be familiar with the potential hazards involved. Failure to observe this warning may result in personal injury and/or equipment damage, and may void the warranty.</p>	
<small>SW004</small>	

IMPORTANT: Ensure that the recommended clearances for inspection and maintenance are provided. Never allow the inspection and maintenance space to be blocked.

	WARNING
<p>Install the machine on a level floor of sufficient strength. Failure to do so may result in conditions which can produce serious injury, death and/or property damage.</p>	
<small>W703</small>	

	CAUTION
<p>Be careful around the open door, particularly when loading from a level below the door. Impact with door edges can cause personal injury.</p>	
<small>SW025</small>	

	WARNING
<p>Never touch internal or external steam pipes, connections, or components. These surfaces can be extremely hot and will cause severe burns. The steam must be turned off and the pipe, connections, and components allowed to cool before the pipe can be touched.</p>	
<small>SW014</small>	

Safety Decals

Safety decals appear at crucial locations on the machine. Failure to maintain legible safety decals could result in injury to the operator or service technician.

To provide personal safety and keep the machine in proper working order, follow all maintenance and safety procedures presented in this manual. If questions regarding safety arise, contact the manufacturer immediately.

Use manufacturer-authorized spare parts to avoid safety hazards.

Safety Information

Operator Safety


	WARNING
NEVER insert hands or objects into basket until it has completely stopped. Doing so could result in serious injury.	
<small>SW012</small>	

To ensure the safety of machine operators, the following maintenance checks must be performed daily:

1. Prior to operating the machine, verify that all warning signs are present and legible. Missing or illegible signs must be replaced immediately. Make certain that spares are available.
2. Check door interlock before starting operation of the machine:
 - a. Attempt to start the machine with the door open. The machine should not start with the door open.
 - b. Close the door without locking it and attempt to start the machine. The machine should not start with the door unlocked.
 - c. Close and lock the door and start a cycle. Attempt to open the door while the cycle is in progress. The door should not open.

If the door lock and interlock are not functioning properly, call a service technician.
3. Do not attempt to operate the machine if any of the following conditions are present:
 - a. The door does not remain securely locked during the entire cycle.
 - b. Excessively high water level is evident.
 - c. Machine is not connected to a properly grounded circuit.

Do not bypass any safety devices in the machine.

	WARNING
Never operate the machine with a bypassed or disconnected balance system. Operating the machine with severe out-of-balance loads could result in personal injury and serious equipment damage.	
<small>SW039</small>	

Preliminary Information

About the Control

WE-8 B-control on the washer-extractor is an advanced, programmable computer that allows the owner to create wash programs.

The control is factory set-up with 8 pre-programmed cycles and is ready for operation. Refer to *Pre-Programmed Cycles* section in the Programming manual.

WE-8 B-control allows the owner to program custom cycles on the machine or with a PC and the Alliance planner software.

IMPORTANT: In the event of a power failure, WE-8 B-control will not have to be reprogrammed. It is designed with a memory system that will remember how it was programmed until the electrical power is restored.

Power Failure Recovery

If a cycle in process and the power fails, the user has one minute to press START (enter) to continue the cycle. If START (enter) is not pressed within the minute, program will drain water and basket will not rotate (safe mode). Control will test speed sensor by steering the wash speed for a brief time. When no speed is detected, control will proceed as if the speed detector failed and the machine cannot be opened until the three minute power failure wait period is done.

Operation

Control Panel

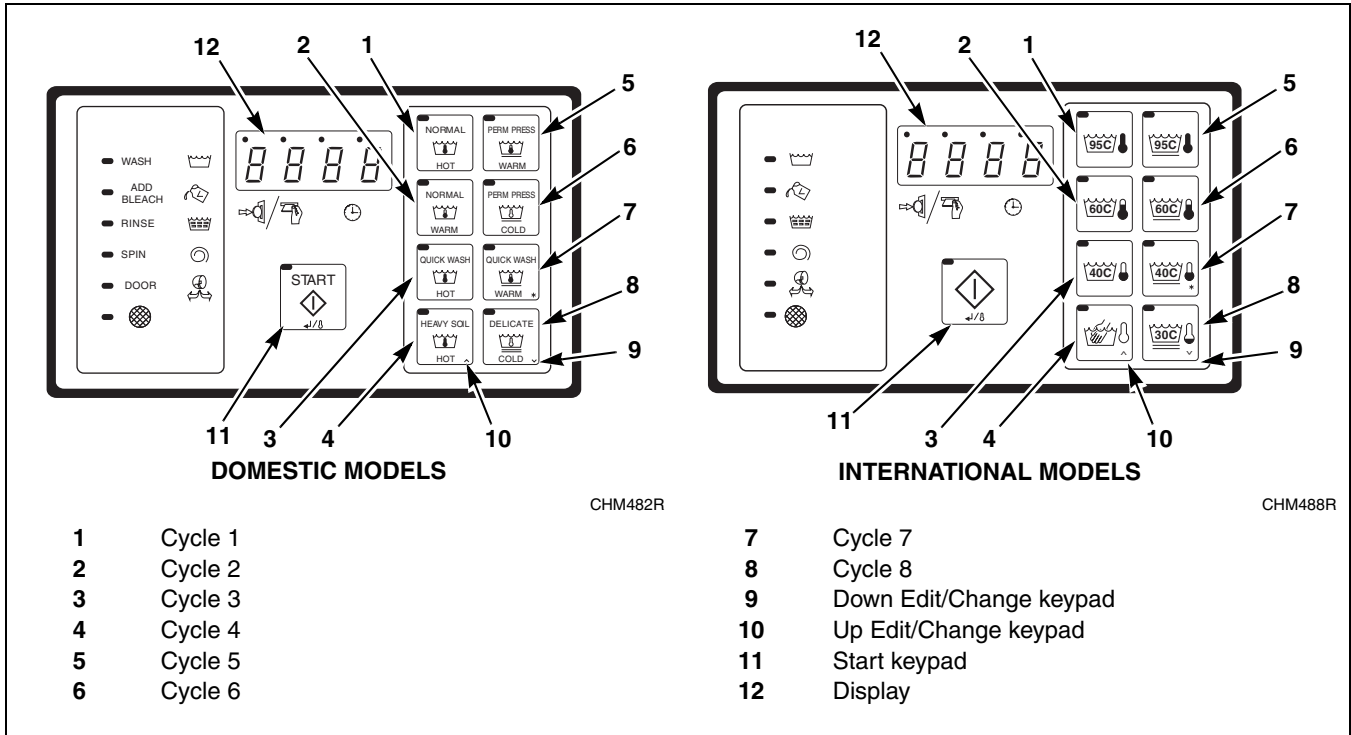


Figure 3

Summary of Major Features

LED for Machine Functions	LED lights inform operator which machine function is active. DOOR LED lights to inform operator that the door can be opened or should be closed. The circle LED is unavailable.
Main LED display	4 digit LED display counts down vend amount and cycle time.
Cycle selection keypads	Eight (8) cycle select keypads with LED indicator to show selected cycle. LED lights will flash to prompt user to press a keypad.
START keypad	Press to start a cycle after payment is made. LED light will flash to prompt user to press keypad.
Payment Methods	Coin – Single denomination coin drop meter, prepped for after market coin drop
Fill Temperatures	Cold, Hot, Warm
Supplies	Three (3) – Supply 1 (Compartment A), 2 (Compartment B), and 3 (Compartment C)
Agitation Types	Normal or Gentle
Drain Options	Normally open gravity drain
Automatic Unlock after Power Failure During Cycle	Standard

Table 1

Operating Instructions

1. Turn on main power source (circuit breaker).
2. Pull the door handle towards you to open the door. Some models may have a door handle with a button that must be pressed.
3. Load to capacity whenever possible. **DO NOT OVERLOAD.** Refer to *Figure 4*.

NOTE: Underloading can cause out-of-balance conditions that can shorten machine life.

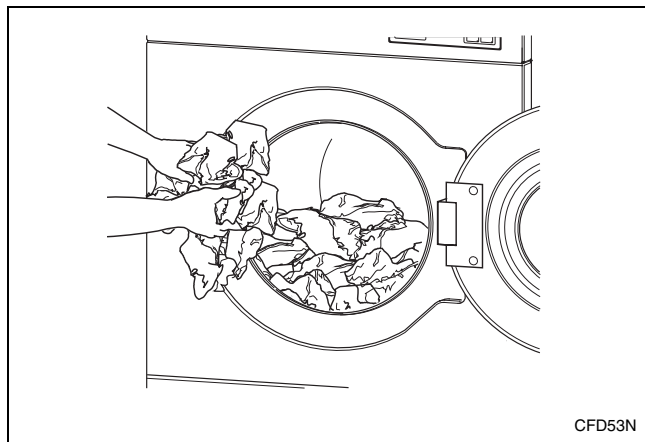


Figure 4

4. Close door by pushing door handle towards machine.
5. The default wash cycle will display.

NOTE: Perm Press Cold is the default cycle for coin models if none is selected.

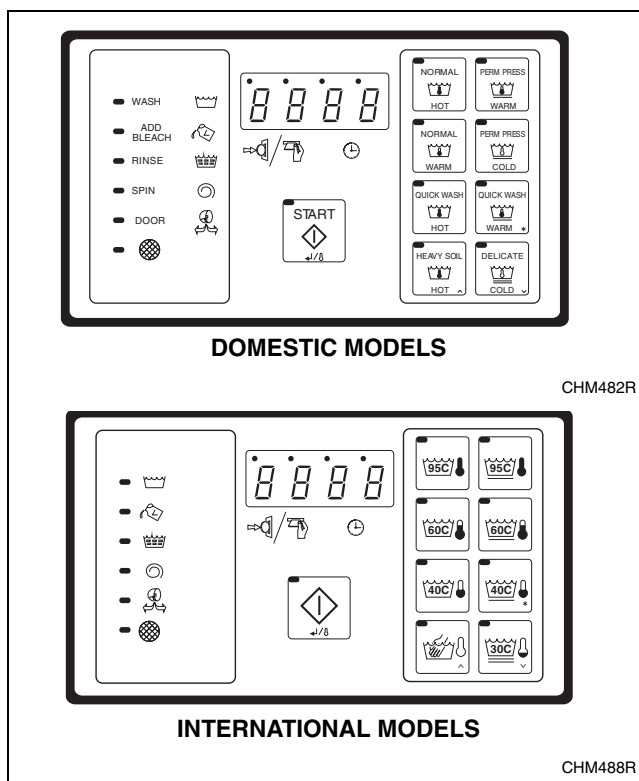


Figure 5

6. If desired, select a different cycle at this point or after satisfying vend. The LED indicator for that cycle will light.

Operation

7. Add liquid and/or powder supplies to supply dispenser. Refer to *Figure 6*.
 - a. Add detergent to compartment 1.
 - b. Add softener to compartment 3.

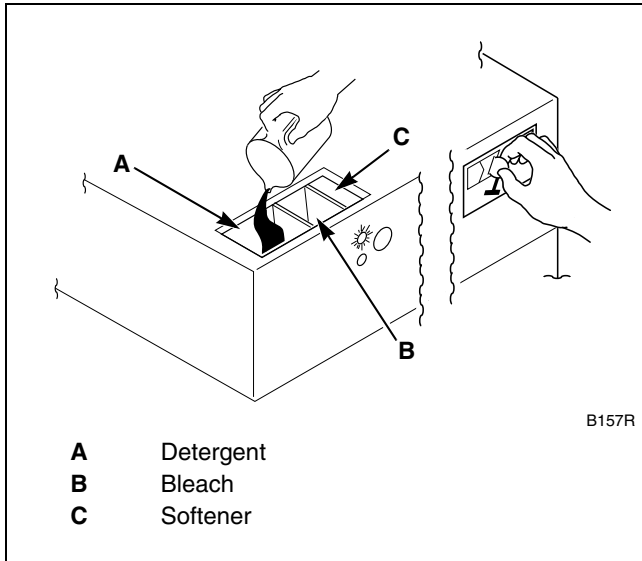



Figure 6

8. Add coins to machine. As each coin is added, the vend counts down to the amount remaining. Refer to *Figure 6*.
9. **When applicable**, add bleach to compartment 2 when the ADD BLEACH LED is lit.
10. Press the desired wash cycle keypad.
11. Press the START keypad and the active cycle remains the chosen wash cycle.
12. When cycle is complete, display shows “donE”.

Maintenance

Routine maintenance maximizes operating efficiency and minimizes downtime. The maintenance procedures described below will prolong the life of the machine and help prevent accidents.

	CAUTION
<p>Replace all panels that are removed to perform service and maintenance procedures. Do not operate the machine with missing guards or with broken or missing parts. Do not bypass any safety devices.</p>	
<small>SW019</small>	

Daily, weekly, monthly, and yearly checklists are provided at the end of this section. Laminate the checklists to preserve them for repeated copying. Operators and technicians are encouraged to add checks specific to their machine's particular application. When possible, space is provided on the checklists for this purpose.

The following maintenance procedures must be performed regularly at the required intervals.

Daily

Beginning of the day

1. Inspect water inlet valve hose connections on the back of the machine for leaks.
2. Inspect steam hose connections for leaks, where applicable.
3. Check door interlock before starting operation:
 - a. Attempt to start the washer with the door open. The washer should not start with the door open.
 - b. Close the door and start the machine. Attempt to open the door while the cycle is in progress. The door should not open.

IMPORTANT: If the door lock and interlock are not functioning properly, take machine out of service. Call a service technician to correct.

End of day

1. Clean the fan of the AC drive box.
2. Clean the entire cabinet of the machine regularly and remove all traces of soap, etc.
3. Remove all detergent residue in the soap dispenser with hot water.
4. Clean the door gasket and remove all detergents and other products.
5. Shut off the main water, steam and power connections at the end of each day. Do not change the setting of the water inlet taps on boiler fed machines once these have been installed.
6. It is recommended to leave the door and the soap dispenser open after use, to ventilate the machine.

NOTE: Unload the machine promptly after each completed cycle to prevent moisture buildup. Leave loading door open at the end of each completed cycle to allow moisture to evaporate.

Weekly

1. Check the machine for leaks.
 - a. Start an unloaded cycle to fill the machine.
 - b. Verify that door and door gasket do not leak.
 - c. Verify that the drain valve is operating. If water does not leak out during the prewash segment, drain valve is closed and functioning properly.

Maintenance

Monthly

NOTE: Disconnect power to the machine at its source before performing the monthly maintenance procedures.

1. Clean the AC drive Box.
 - a. Remove the AC drive box cover.
 - b. Blow the fins clean using compressed air at a pressure of 60-90 psi or by using canned compressed air. Use care to avoid damaging cooling fan or other components.
2. Belts.
 - a. Check belts for uneven wear and frayed edges.
 - b. Verify that belts are properly aligned by checking pulley alignment. Place a straightedge across both pulley faces. The straightedge should make contact with the pulleys in four places.
3. If a machine frequently skips the final spin, check whether the probe of the out of balance switch is still in the appropriate position, that is horizontally centered and vertically 1/3 from the bottom inside the window (when the drum is empty). (See electronic repetition system.)
4. Clean drain pipe.

The water still being in the drain needs to be drained using drain (A) before cleaning the drain pipe or replacing the exhaust valve. Refer to *Figure 7*.

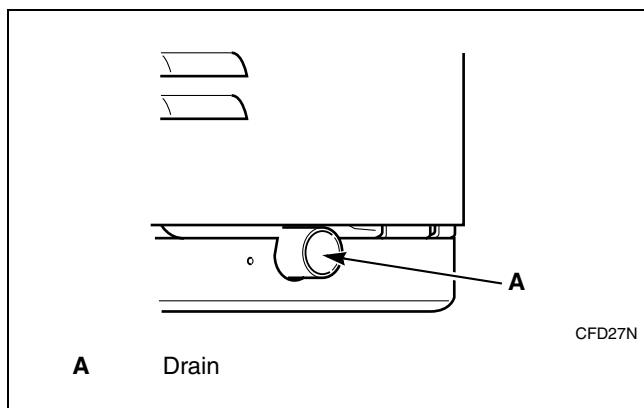


Figure 7

5. Remove back panel and check overflow hose and drain hose for leaks.
6. Clean inlet hose filter screen:
 - a. Turn water off and allow valve to cool, if necessary.
 - b. Unscrew inlet hose and remove filter screen.
 - c. Clean with soapy water, rinse and reinstall. Replace if worn or damaged.
7. Check the supply dispenser hoses for leaks.
8. Use compressed air to clean lint from motor.
9. Clean interior of machine, both basket and shell, by wiping with a water-soaked sponge or cloth.
10. Use compressed air to ensure that all electrical components are free of moisture and dust.
11. Verify that insulation is intact on all external wiring and that all connections are secure. If bare wire is evident, call a Service Technician.

Yearly

Check if the machine is working properly. If you see or hear any abnormal function on the machine call a service technician.

Daily Preventive Maintenance Checklist

Machine _____	Week of: _____						
Operator _____	Days						
Checks	1	2	3	4	5	6	7
Beginning of Day							
1. Inspect water inlet valve hose connections on the back of the machine for leaks.							
2. Inspect steam hose connections for leaks, where applicable.							
3. Inspect door lock and interlock before starting operation:							
a. Attempt to start the machine with door open.							
b. Close the door and start the machine. Attempt to open the door while the cycle is in progress.							
4.							
End of Day							
1. Clean the fan of the AC drive box.							
2. Clean the entire cabinet of the machine.							
3. Remove all detergent residue in the soap dispenser with hot water.							
4. Clean the door gasket and remove all detergents and other products.							
5. Shut off the main water, steam and power.							
6. Leave loading door open at the end of each day to ventilate the machine.							
7.							
NOTE: Unload the machine promptly <i>after each completed cycle</i> to prevent moisture buildup. NOTE: Leave loading door open <i>after each completed cycle</i> to allow moisture to evaporate.							

Maintenance

Weekly Preventive Maintenance Checklist

Machine _____	Month _____				
Operator _____	Week Ending:				
Checks	/	/	/	/	/
1. Check the machine for leaks:					
a. Start an unloaded cycle to fill the machine.					
b. Verify that door and door gasket do not leak.					
c. Verify that the drain valve is operating.					
2.					
3.					
4.					
5.					
6.					
7.					

Monthly Preventive Maintenance Checklist

Machine _____ Operator _____	Month			
Checks				
Observe All Safety Warnings! Disconnect power to the machine before performing the monthly maintenance procedures.				
1. Clean the AC drive box.				
2. Belts				
a. Check belts for uneven wear and frayed edges.				
b. Verify that belts are properly aligned by checking pulley alignment.				
3. Check out-of-balance switch probe's position.				
4. Clean drain pipe.				
5. Remove back panel and check overflow hose and drain hose for leaks.				
6. Clean inlet hose filter screen.				
7. Check the supply dispenser hoses for leaks.				
8. Use compressed air to clean lint from motor.				
9. Clean interior of machine, both basket and shell, by wiping with a water-soaked sponge or cloth.				
10. Use compressed air to ensure that all electrical components are free of moisture and dust.				
11. Verify that insulation is intact on all external wiring and that all connections are secure. If bare wire is evident, call a Service Technician.				

Maintenance

Yearly Preventive Maintenance Checklist

Machine _____	Year			
Operator _____				
Checks				
Observe All Safety Warnings! Disconnect power to the machine before performing the quarterly maintenance procedures.				
1. Check if the machine is working properly. If you see or hear any abnormal function on the machine call a service technician.				
2.				
3.				
4.				
5.				
6.				
7.				
8.				
9.				