

Whirlpool® Top Load Washer

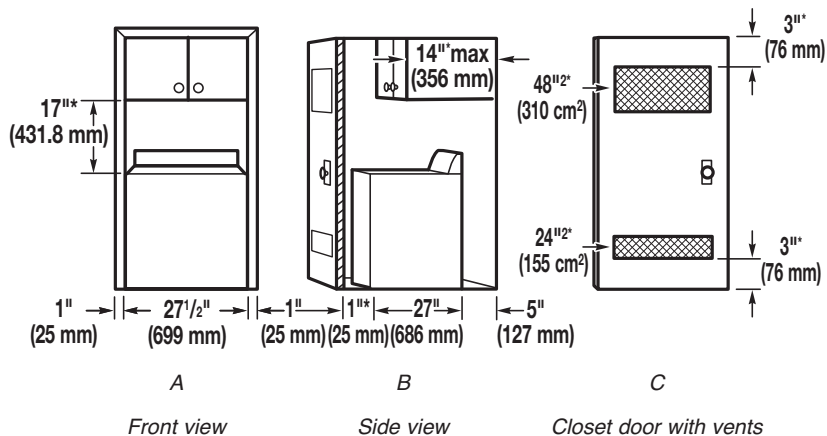
PRODUCT MODEL NUMBERS

WTW6200V, WTW6500W, WTW6800W
 WTW6300W, WTW6340W, WTW7300X
 WTW7340X, WTW7800X, WTW7600X
 WTW7990X

Electrical: A 120 volt, 60 Hz., AC only, 15- or 20-amp, fused electrical supply is required. A time-delay fuse or circuit breaker is recommended. It is recommended that a separate circuit serving only this appliance be provided.

RECESSED AREA OR CLOSET INSTALLATION

For closet installation, with a door, the minimum ventilation openings in the top and bottom of the door are required (view C). Louvered doors with equivalent air ventilation openings are acceptable.



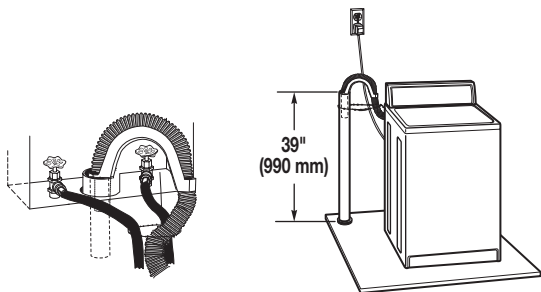
* Required Spacing

DRAIN SYSTEM OPTIONS

Standpipe drain system - wall or floor (view A & B)

The standpipe drain requires a minimum diameter standpipe of 2" (51 mm). The minimum carry-away capacity can be no less than 17 gal. (64 L) per minute.

The top of the standpipe must be at least 39" (990 mm) high and no higher than 96" (2.4 m) from the bottom of the washer.

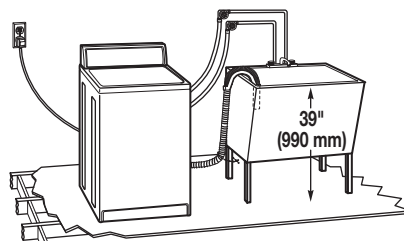


A

B

Laundry tub drain system (view C)

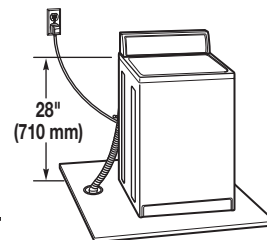
The laundry tub needs a minimum 20 gal. (76 L) capacity. The top of the laundry tub must be at least 39" (990 mm) above the floor and no higher than 96" (2.4 m) from the bottom of the washer.



C

Floor drain system (view D)

The floor drain system requires a siphon break that may be purchased separately. The siphon break must be a minimum of 28" (710 mm) from the bottom of the washer. Additional hoses might be needed.



D