

TOP AND CABINET PARTS

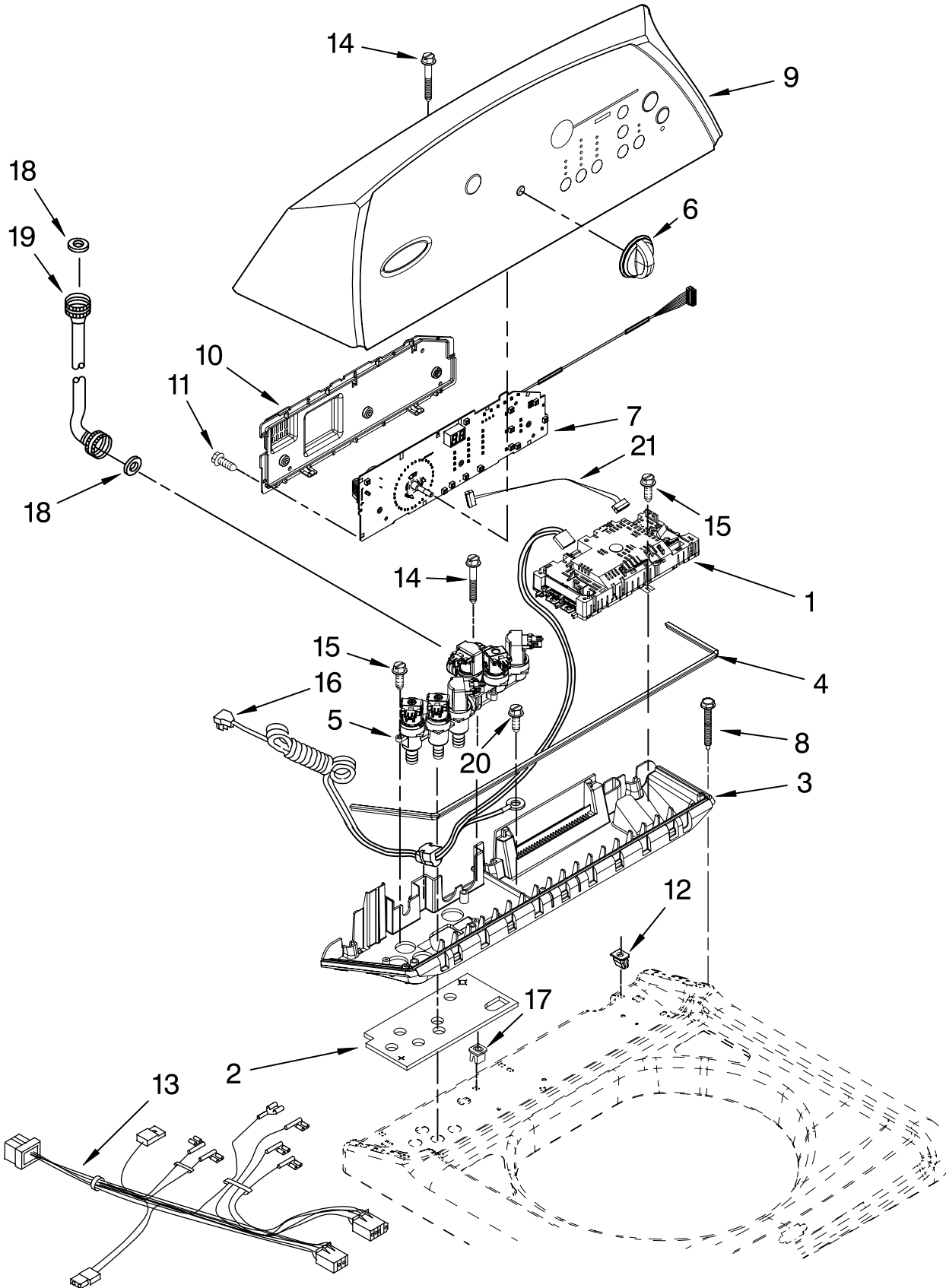
For Models: WTW6700TW1, WTW6700TU1
(White) (Ultimate Silver)

Illus. No.	Part No.	DESCRIPTION	Illus. No.	Part No.	DESCRIPTION	Illus. No.	Part No.	DESCRIPTION
1		Literature Parts	14		Hinge Wire (2)	26		Bezel, Detergent
	W10131461	Use & Care Guide		8563965	(L.H.)			Dispenser
	W10026628	Tech Sheet		8572974	(R.H.)		8564979	White
	W10131462	Quick Start Guide	15		Hinge, Spring		W10045210	Elephant
	8577781	Wiring Diagram			Assembly	27	W10106990	Nozzle Assembly,
	W10175436	Energy Guide			(Glass Lid)			Fresh Water
				8563962	(Left)	28	371503	Clamp, Hose
				8563963	(Right)	29	W10059230	Lock Assembly, Lid
2		Top	16	8563785	Lock, Top-	30		Bezel, Lid Lock
	8565314	White			Front (2)		8572019	White
	W110158195	Ultimate Silver	17	W10052730	Bearing, Lid		W10158234	Ultimate Grey
3	W10162416	Frame Assembly, Cabinet Top (Includes Items 31 & 38)			Hinge (2)	31	8564458	Absorber, Impact
4	8576784	Sound Absorber, Cabinet	18	8564017	Cup, Suspension (4)	32	8564456	Hinge, Top (2)
5		Cabinet	19		Lid, Glass Assembly	33	18849	Pad, Top Hinge (2)
	8566156	White		W10131139	Brilliant White Aluminum	34	343641	Screw, 10-16 x 1/2 (2)
	W10158273	Ultimate Silver		W10158275	Ultimate Silver	35	8563941	Cover, Harness
6	8566090	Panel, Rear	20	8578826	Foot Assembly, Leveling (4)	36	693995	Screw, 8-18 x 3/8
7	W10160572	Retainer, Drain Hose Storage	21	W10059150	Dispenser, Fabric Softener	37	8543784	Bracket, Drain Hose
8	3976348	Sound Absorber, Cabinet (2)	22		Bezel, Fabric Softener Dispenser	38	8578386	Shield, Wire Harness
9	W10111536	Ball, Suspension (Set Of 4 - Includes Item 49)		W10137015	White	39	8281136	Screw, 10-16 x 3/4
10	8566146	Damper Assembly, Tub Suspension (Set Of 4-Includes Items 9, 18, 48 & 49)	23	W10137017	Elephant	40	8576476	Spacer, Rear (Cabinet/Top)
11	1157158	Screw, 8-18 x 3/8		W10161865	Dispenser, Stain Remover	41	370451	Clamp, Hose
12	W10042120	Locator, Top (2)	24		Bezel, Stain Remover Dispenser	42	371503	Clamp, Hose
13	W10078270	Screw, Lid Hinge Mounting (4)		8566211	White	43	3400061	Screw, 10-16 x 9/16
				8580019	Elephant	44	90016	Clip, Harness (5)
			25		Dispenser, Detergent	45	8281736	Wire, Ground Jumper
				8564976	White	46	3400076	Screw, 10-32 x 5/8
				W10059180	Elephant	47	3390647	Screw, 8-18 x 1/2
						48	8577896	Washer, Suspension Umbrella (4)
						49	W10167599	Bushing, Suspension (Set Of 4-Includes Item 9)

FOR ORDERING INFORMATION REFER TO PARTS PRICE LIST

CONTROL PANEL PARTS

For Models: WTW6700TW1, WTW6700TU1
(White) (Ultimate Silver)



FOR ORDERING INFORMATION REFER TO PARTS PRICE LIST

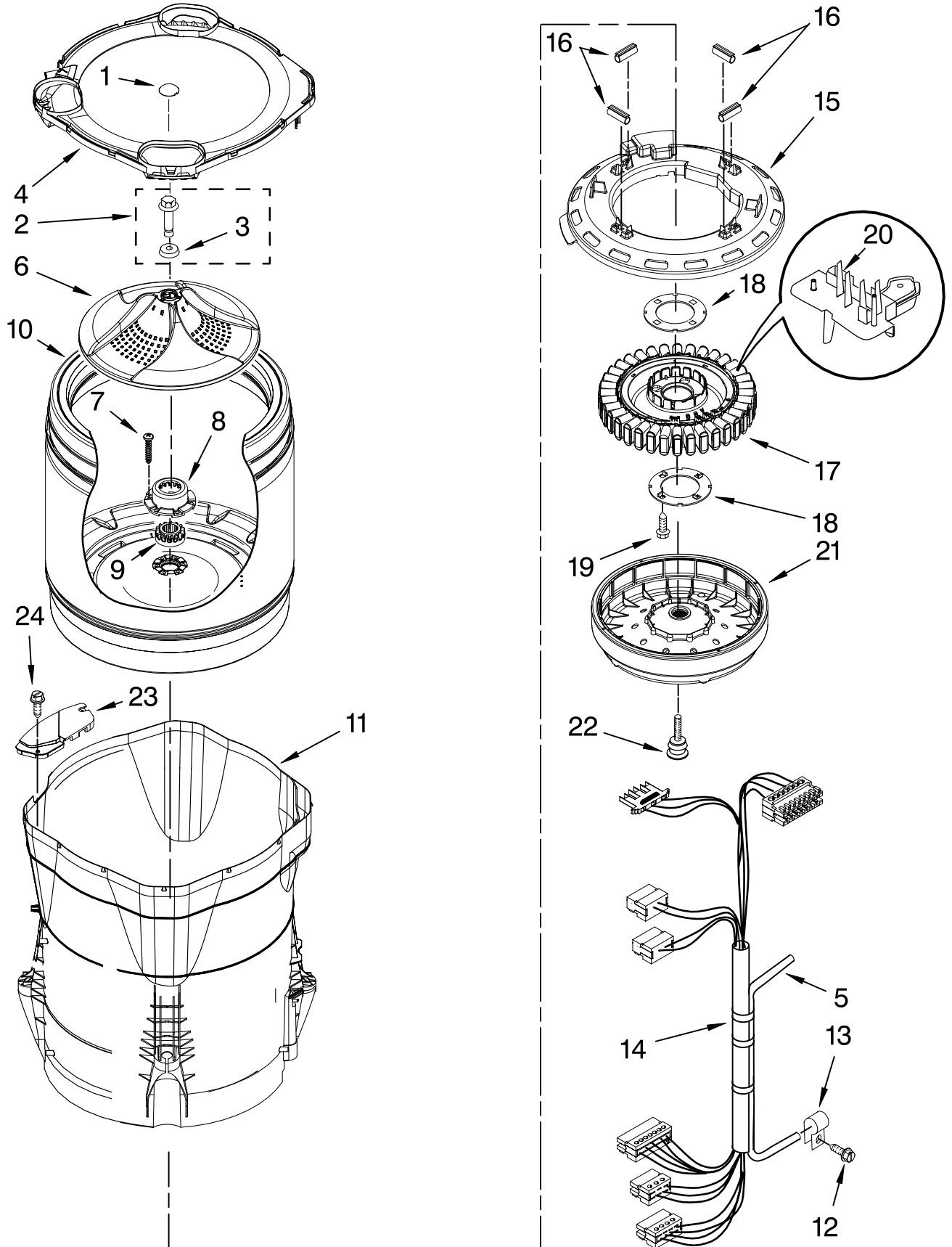
CONTROL PANEL PARTS

For Models: WTW6700TW1, WTW6700TU1
(White) (Ultimate Silver)

Illus. No.	Part No.	DESCRIPTION
1	W10051176	Control Unit Assembly, Machine & Motor
2	W10130502	Gasket, Valve Tray
3		Tray Assembly, Console (Includes Items 2 & 4)
	8565304	White
	W10158216	Silver
4	8565259	Gasket, Console/Tray
5	W10128457	Valve, Log Assembly
6		Knob, Control
	8574957	White
	W10183632	Ultimate Silver
7	W10051131	User Interface
8	W10004990	Screw, 6-20 x 1.2
9		Console
	W10110804	White
	W10191904	Ultimate Silver
10	8564265	Cover, Rear-User Interface
11	W10003770	Screw, 6-19 x 1/2 (3)
12	W10022060	Nut, Push-In (3)
13	W10128687	Harness, Upper (Includes Item 21)
14	8565324	Screw, 10-16 x 1.75
15	8281136	Screw, 8-18 x 3/4
16	3407203	Cord Assembly, Power
17	98460	Nut, Push-In (2)
18	3976300	Washer, Water Inlet Hose (1-1/16 x 5/8)(4)
19		Hose, Water Inlet
	8571377	Blue Coupler
	8571378	Red Coupler
20	3351614	Screw, Power Cord Ground
21	3407187	Harness, Thermistor

MOTOR, BASKET AND TUB PARTS

For Models: WTW6700TW1, WTW6700TU1
(White) (Ultimate Silver)



FOR ORDERING INFORMATION REFER TO PARTS PRICE LIST

MOTOR, BASKET AND TUB PARTS

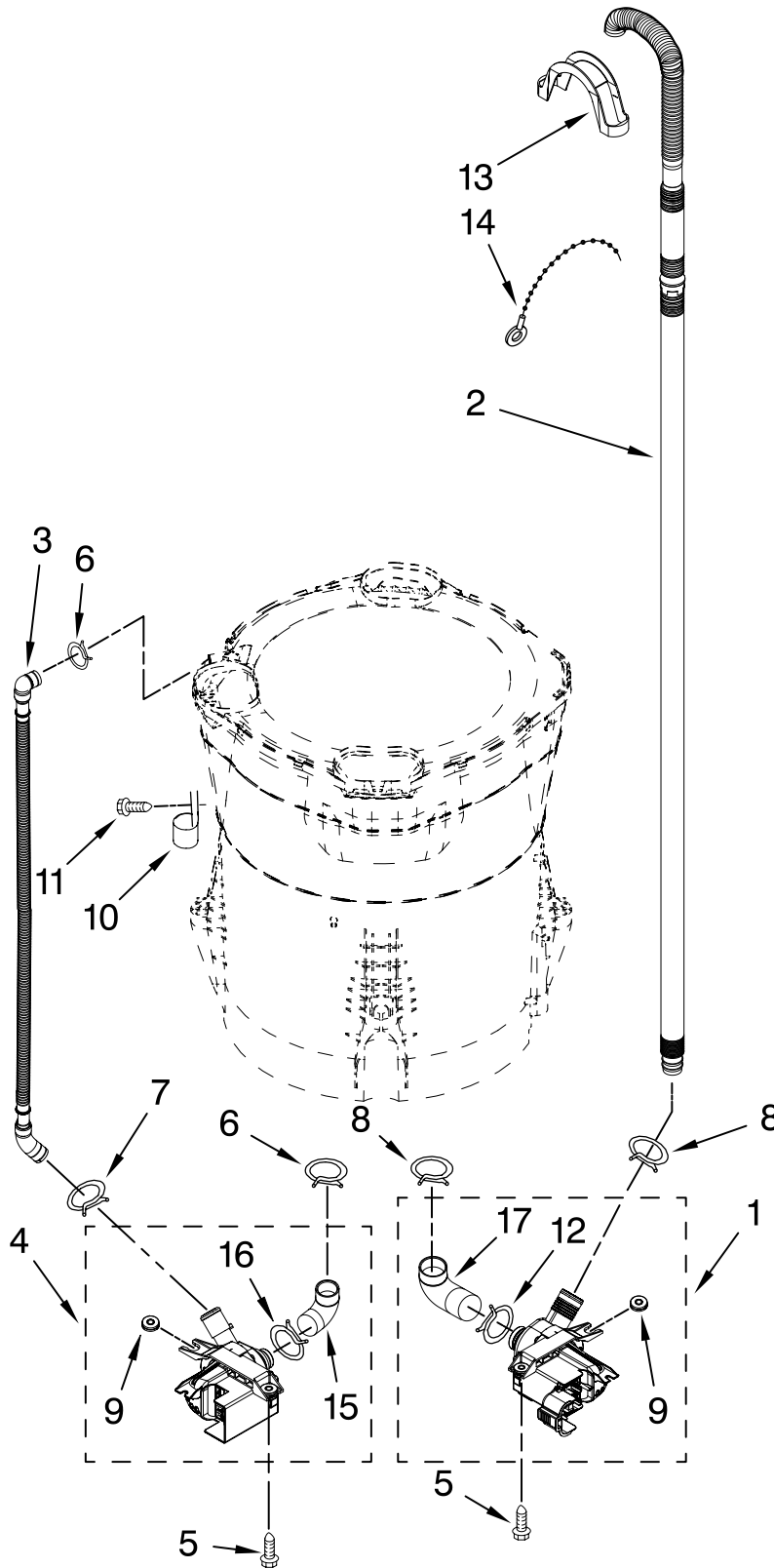
For Models: WTW6700TW1, WTW6700TU1
(White) (Ultimate Silver)

<u>Illus.</u>	<u>Part</u>	
<u>No.</u>	<u>No.</u>	<u>DESCRIPTION</u>
1	W10106600	Cap, Impeller
2	W10076270	Screw & Washer Assembly
3	W10076260	Washer
4	W10130807	Tub Ring
5	8572540	Hose Pressure Switch
6	W10141017	Impeller (Washplate)
7	8533953	Screw, 8-16 x 1.000 (6)
8	W10118114	Hub, Basket-Driven (Includes Item 9)
9	8545953	Hub, Basket-Driver (Includes Item 8)
10	W10118182	Basket Assembly (Includes Items 7, 8, & 9)
11	W10128830	Tub & Drive Shaft Assembly
12	8533957	Screw, 10-16 X 1/2
13	W10005430	Clamp, Pressure Hose Retainer
14	W10137697	Harness, Lower (Includes Item 5)
15	W10137698	Shield, Drive Motor (Includes Item 16)
16	8565172	Tube, Buffer (Set Of 4)
17	8565170	Stator, Motor (Includes Item 18)
18	8557836	Plate, Stator (Set Of 2)
19	8534042	Screw, 1/4-20 x .968 (4)
20	W10137685	RPS Assembly
21	8565177	Rotor, Main Drive Motor (Includes Item 22)
22		Bolt, Rotor Assembly Non-Serviceable (Supplied W/Rotor)
23	8566197	Filter, Dual Pump Hood
24	8533928	Screw, 8-18 x 3/4 (2)

FOR ORDERING INFORMATION REFER TO PARTS PRICE LIST

PUMP PARTS

For Models: WTW6700TW1, WTW6700TU1
(White) (Ultimate Silver)



Illus. No.	Part No.	DESCRIPTION
1	W10049390	Pump Assembly, Drain
2	W10128765	Hose, Drain
3	8543774	Hose, Recirc
4	W10049400	Pump Assembly, Recirc
5	W10004910	Screw, 12-16 x 1.125
6	370449	Clamp, Hose
7	8269146	Clamp, Hose
8	8317496	Clamp, Hose
9	8182771	Grommet, Pump Mounting (4)
10	8534021	Clamp, Recirc Hose Retainer
11	8533943	Screw, 10-16 x 3/4
12	8182768	Clamp, Drain Pump Hose
13	8576642	Retainer, Drain Hose
14	3347868	Cable Tie
15	8182769	Hose, Recirc Pump
16	8182770	Clamp, Recirc Pump Hose
17	8182767	Hose, Drain Pump

FOR ORDERING INFORMATION REFER TO PARTS PRICE LIST

OPTIONAL PARTS (NOT INCLUDED)

For Models: WTW6700TW1, WTW6700TU1
(White) (Ultimate Silver)

<u>Illus. No.</u>	<u>Part No.</u>	<u>DESCRIPTION</u>
-------------------	-----------------	--------------------

PAINT, TOUCH-UP (1/2oz.)

72017 White
8212605 Ultimate Silver

PAINT, PRESSURIZED SPRAY (12 oz.)

350938 Primer, Gray
350930 White

PAINT, BULK (1 qt.)

799344 White (Uncut)

WATER SYSTEM PARTS

285442 Connector Kit,
Plastic Drain
Hose
285321 Sleeve Kit,
(Contains 2
Sleeves)
285320 Siphon Break Kit
367031 Drain Protector

SEALER

285195 Sealer, Gasket
(.20 Fl. Oz.) (6 ml)

COUPLING

384496 Coupling, Hose