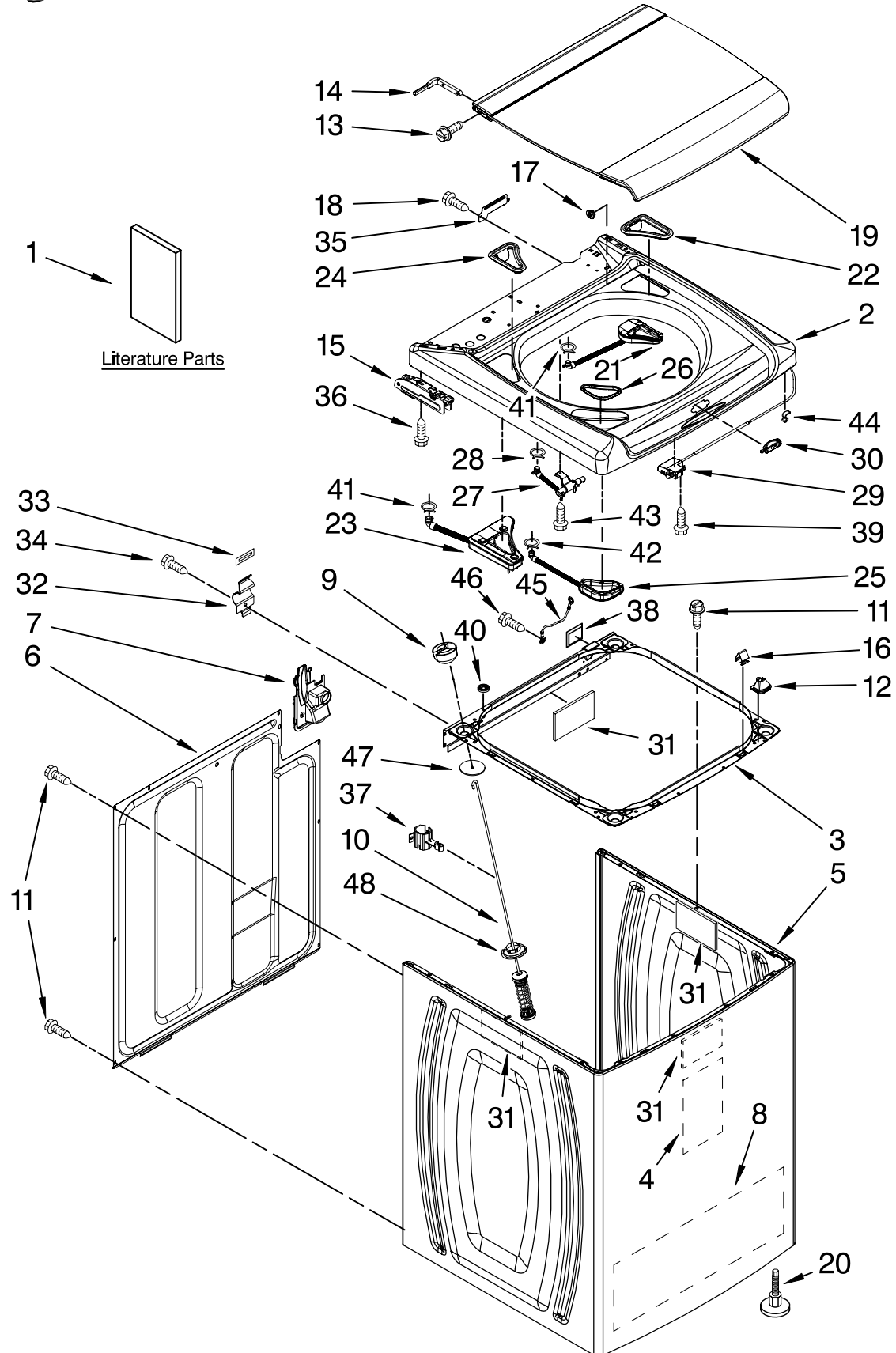




# TOP AND CABINET PARTS

For Models: WTW6600SW2, WTW6600SG2, WTW6600SB2  
(White) (Biscuit) (Black)

AUTOMATIC WASHER



FOR ORDERING INFORMATION REFER TO PARTS PRICE LIST

# TOP AND CABINET PARTS

For Models: WTW6600SW2, WTW6600SG2, WTW6600SB2

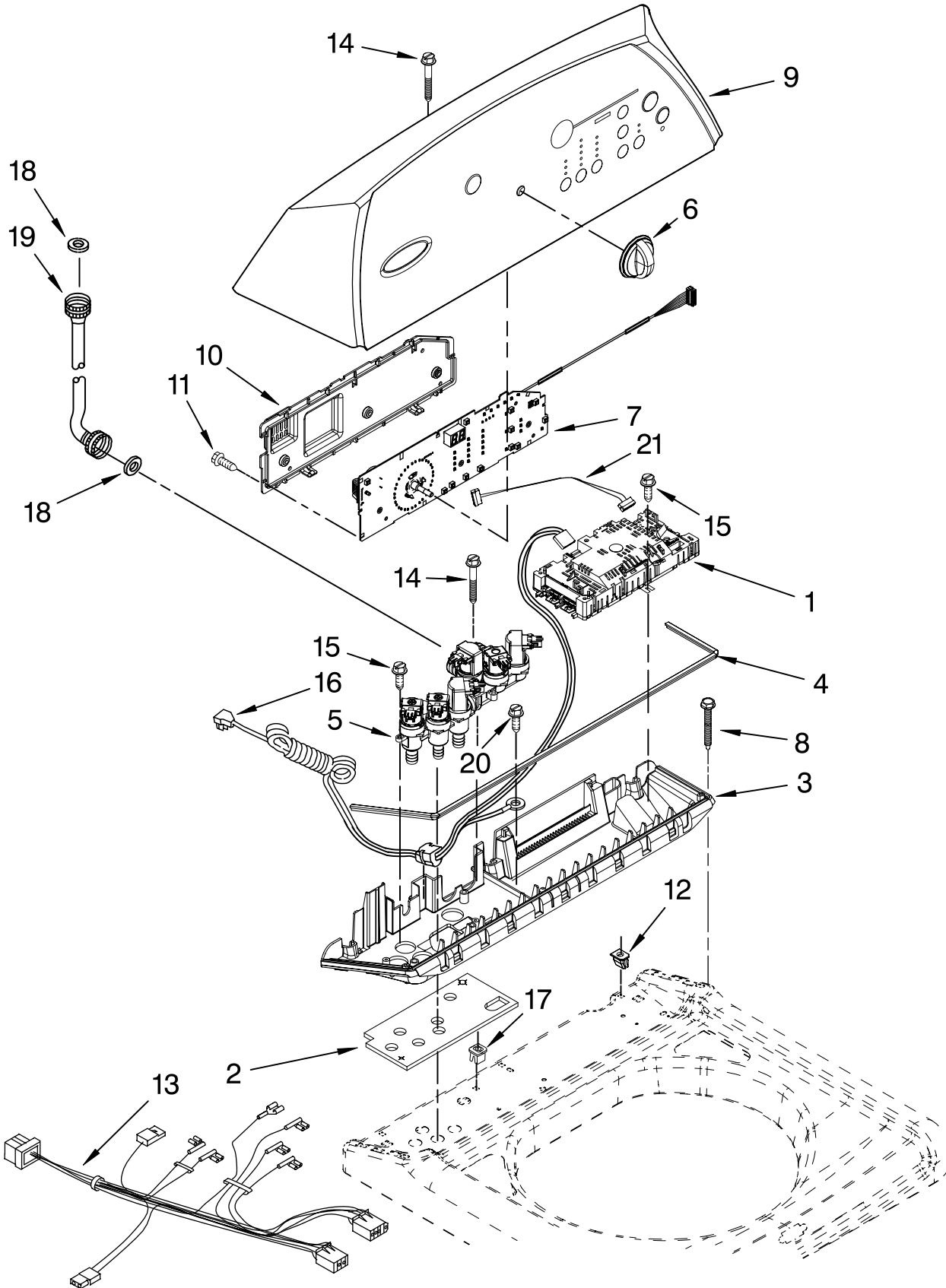
(White)                      (Biscuit)                      (Black)

Illus. No.	Part No.	DESCRIPTION	Illus. No.	Part No.	DESCRIPTION	Illus. No.	Part No.	DESCRIPTION
1		Literature Parts	15		Hinge, Spring Assembly (Glass Lid)	27	W10106990	Nozzle Assembly, Fresh Water
	W10106470	Use & Care Guide		8563962	(Left)	28	371503	Clamp, Hose
	W10026571	Tech Sheet		8563963	(Right)	29	W10059230	Lock Assembly, Lid
	W10106480	Quick Start Guide	16	8563785	Lock, Top-Front (2)	30		Bezel, Lid Lock
	8577781	Wiring Diagram					8572019	White
	W10107030	Energy Guide	17	W10052730	Bearing, Lid Hinge (2)		8563939	Biscuit
2		Top	18	3390647	Screw, 8-18 x 1/2		W10052520	Black
	8565311	White	19		Lid, Glass Assembly	31	8564458	Absorber, Impact
	8565312	Biscuit		8565267	Brilliant White Aluminum	32	8564456	Hinge, Top (2)
	W10053420	Black		8576485	Gold Dust	33	18849	Pad, Top Hinge (2)
3	W10114656	Frame Assembly, Cabinet Top (Includes Items 31 & 38)	20	8578826	Foot Assembly, Leveling (4)	34	343641	Screw, 10-16 x 1/2 (2)
4	8576784	Sound Absorber, Cabinet	21	W10059150	Dispenser, Fabric Softener	35	8563941	Cover, Harness
5		Cabinet	22		Bezel, Fabric Softener Dispenser	36	693995	Screw, 8-18 x 3/8
	8566156	White		8566210	White	37	8543784	Bracket, Drain Hose
	8566157	Biscuit		8580016	Biscuit	38	8578386	Shield, Wire Harness
	W10050330	Black		8580017	Elephant	39	8281136	Screw, 10-16 x 3/4
6	8566090	Panel, Rear	23	W10059160	Dispenser, Bleach	40	8576476	Spacer, Rear (Cabinet/Top)
7	8543781	Retainer, Drain Hose Storage	24		Bezel, Bleach Dispenser	41	370451	Clamp, Hose
8	8578225	Sound Absorber, Cabinet		8566211	White	42	371503	Clamp, Hose
9	W10111536	Ball, Suspension (4)		8580018	Biscuit	43	3400061	Screw, 10-16 x 9/16
10	8564009	Damper Assembly, Tub Suspension (Set Of 4-Includes Items 47 & 48)	25		Elephant Dispenser, Detergent	44	90016	Clip, Harness (4)
				8564976	White	45	8281736	Wire, Ground Jumper
11	1157158	Screw, 8-18 x 3/8		W10059170	Biscuit	46	3400076	Screw, 10-32 x 5/8
12	W10042120	Locator, Top (2)		W10059180	Elephant	47	8577896	Washer, Suspension Umbrella (4)
13	W10078270	Screw, Lid Hinge Mounting (4)	26		Bezel, Detergent Dispenser	48	8564017	Cup, Suspension (4)
				8564979	White			
14		Hinge Wire (2)		W10045190	Biscuit			
	8563965	(L.H.)		W10045210	Elephant			
	8572974	(R.H.)						

FOR ORDERING INFORMATION REFER TO PARTS PRICE LIST

# CONTROL PANEL PARTS

For Models: WTW6600SW2, WTW6600SG2, WTW6600SB2  
(White) (Biscuit) (Black)



FOR ORDERING INFORMATION REFER TO PARTS PRICE LIST

# CONTROL PANEL PARTS

For Models: WTW6600SW2, WTW6600SG2, WTW6600SB2  
(White) (Biscuit) (Black)

Illus. No.	Part No.	DESCRIPTION
1	W10112113	Control Unit Assembly, Machine & Motor
2	8565260	Gasket, Valve Tray
3		Tray Assembly, Console (Includes Items 2 & 4)
	8565304	White
	8565306	Biscuit
	8565305	Black
4	8565259	Gasket, Console/Tray
5	W10059320	Valve, Log Assembly
6		Knob, Control
	8574957	White
	8574958	Biscuit
	8574959	Black
7	8564290	User Interface
8	W10004990	Screw, 6-20 x 1.2
9		Console
	W10070060	White
	W10070070	Biscuit
	W10070080	Black
10	8564265	Cover, Rear- User Interface
11	W10003770	Screw, 6-19 x 1/2 (3)
12	W10022060	Nut, Push-In (3)
13	W10045100	Harness, Upper
14	8565324	Screw, 10-16 x 1.75
15	8281136	Screw, 8-18 x 3/4
16	3407203	Cord Assembly, Power
17	98460	Nut, Push-In (2)
18	3976300	Washer, Water Inlet Hose (1-1/16 x 5/8)(4)
19		Hose, Water Inlet
	8571377	Blue Coupler
	8571378	Red Coupler
20	488649	Screw, Power Cord Ground
21	3407187	Harness, Thermistor

FOR ORDERING INFORMATION REFER TO PARTS PRICE LIST

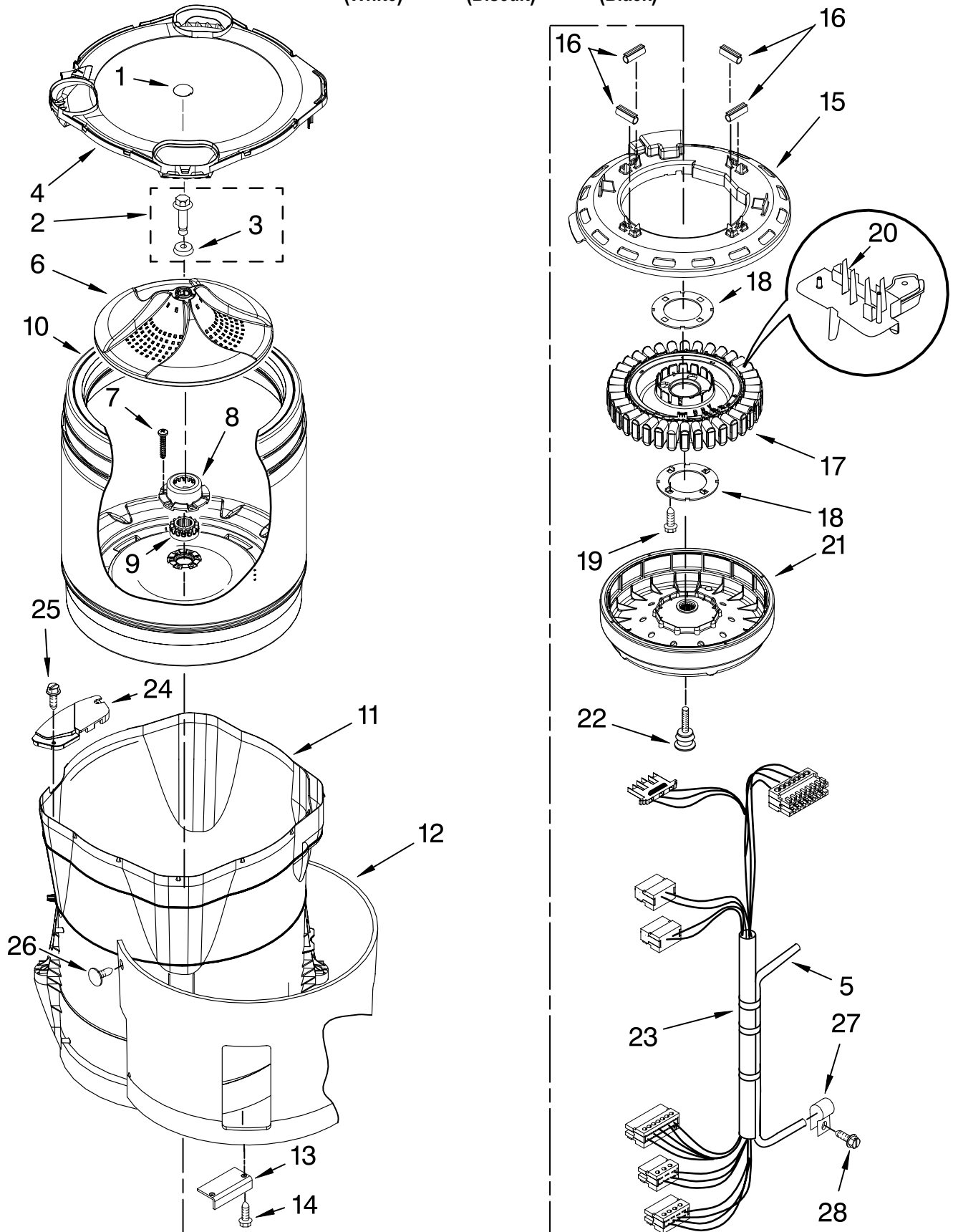
# MOTOR, BASKET AND TUB PARTS

For Models: WTW6600SW2, WTW6600SG2, WTW6600SB2

(White)

(Biscuit)

(Black)



FOR ORDERING INFORMATION REFER TO PARTS PRICE LIST

# MOTOR, BASKET AND TUB PARTS

For Models: WTW6600SW2, WTW6600SG2, WTW6600SB2

(White)

(Biscuit)

(Black)

<u>Illus.</u> <u>No.</u>	<u>Part</u> <u>No.</u>	<u>DESCRIPTION</u>
1	W10106600	Cap, Impeller
2	W10076270	Screw & Washer Assembly
3	W10076260	Washer
4	W10108430	Tub Ring
5	8572540	Hose Pressure Switch
6	W10076230	Impeller (Washplate)
7	8533953	Screw, 8-16 x 1.000 (6)
8	W10118114	Hub, Basket-Driven (Includes Item 9)
9	8545953	Hub, Basket-Driver (Includes Item 8)
10	W10118182	Basket Assembly (Includes Items 7, 8, & 9)
11	8572660	Tub & Drive Shaft Assembly
12	8546680	Wrap, Tub
13	8542674	Weight, Tub Counterbalance
14	W10004910	Screw, 12-16 x 1-1/4 (2)
15	8557839	Shield, Drive Motor (Includes Item 16)
16	8565172	Tube, Buffer (Set Of 4)
17	8565170	Stator, Motor (Includes Item 18)
18	8557836	Plate, Stator (Set Of 2)
19	W10076010	Screw, 1/4-20 x .968 (4)
20	8565188	RPS Assembly
21	8565177	Rotor, Main Drive Motor (Includes Item 22)
22		Bolt, Rotor Assembly Non-Serviceable (Supplied W/Rotor)
23	W10058730	Harness, Lower (Includes Item 5)
24	8566197	Filter, Dual Pump Hood
25	8533928	Screw, 8-18 x 3/4 (2)
26	8533987	Retainer, Push-In
27	W10005430	Clamp, Pressure Hose Retainer
28	8533957	Screw, 10-16 x 1/2

FOR ORDERING INFORMATION REFER TO PARTS PRICE LIST

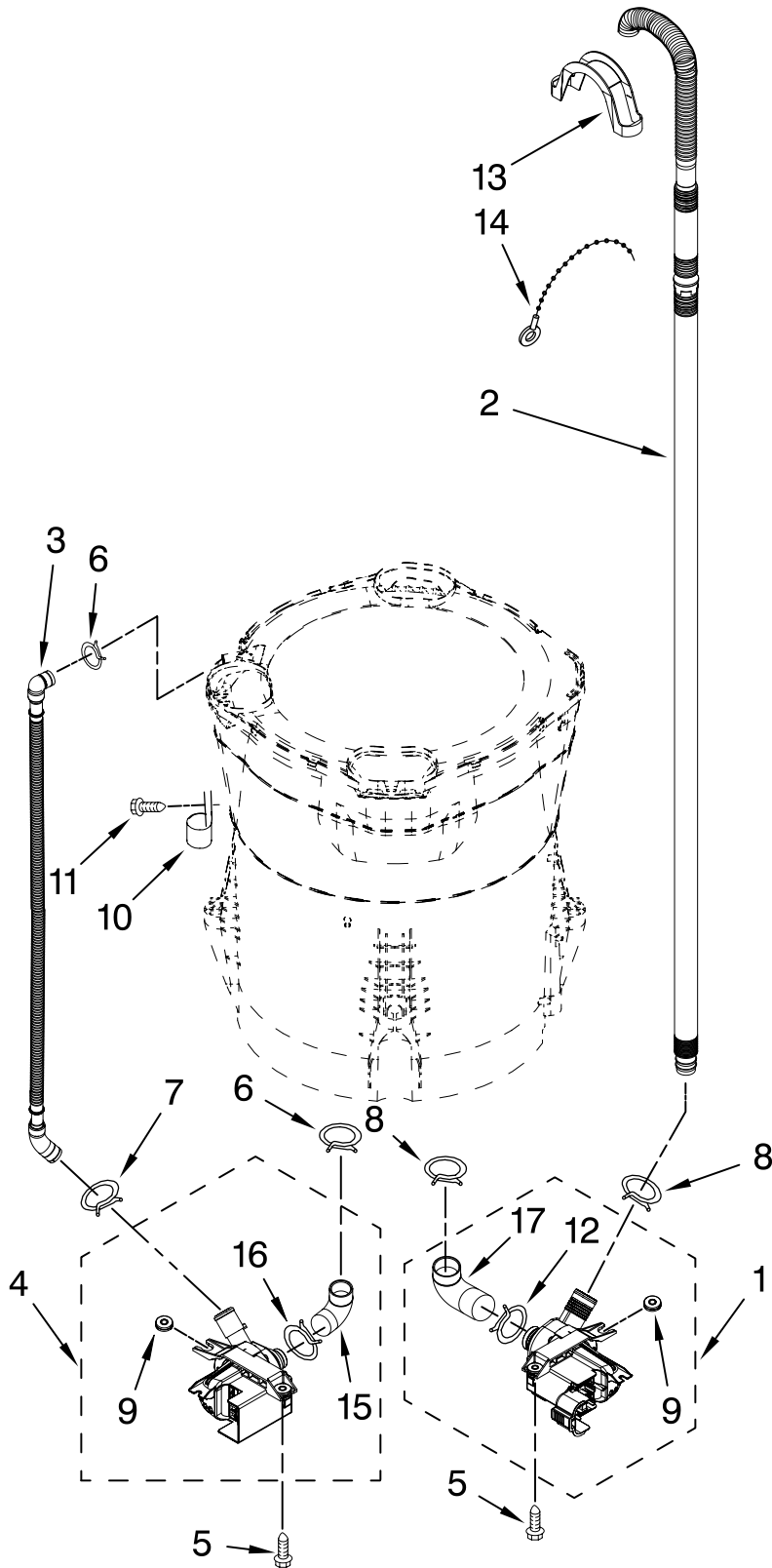
# PUMP PARTS

For Models: WTW6600SW2, WTW6600SG2, WTW6600SB2

(White)

(Biscuit)

(Black)



Illus. No.	Part No.	DESCRIPTION
1	W10049390	Pump Assembly, Drain
2	8571715	Hose, Drain
3	8543774	Hose, Recirc
4	W10049400	Pump Assembly, Recirc
5	8534063	Screw, 10-14 x 1.000
6	370449	Clamp, Hose
7	8269146	Clamp, Hose
8	8317496	Clamp, Hose
9	8182771	Grommet, Pump Mounting (4)
10	8534021	Clamp, Recirc Hose Retainer
11	8533943	Screw, 10-16 x 3/4
12	8182768	Clamp, Drain Pump Hose Retainer
13	8576642	Retainer, Drain Hose
14	3347868	Cable Tie
15	8182769	Hose, Recirc Pump
16	8182770	Clamp, Recirc Pump Hose
17	8182767	Hose, Drain Pump

FOR ORDERING INFORMATION REFER TO PARTS PRICE LIST

# OPTIONAL PARTS (NOT INCLUDED)

For Models: WTW6600SW2, WTW6600SG2, WTW6600SB2

(White)

(Biscuit)

(Black)

<u>Illus. No.</u>	<u>Part No.</u>	<u>DESCRIPTION</u>
-------------------	-----------------	--------------------

## PAINT, TOUCH-UP (1/2oz.)

	72017	White
	4392899	Biscuit
	72032	Black

## PAINT, PRESSURIZED SPRAY (12 oz.)

	350938	Primer, Gray
	350930	White
	4392901	Biscuit
	786020	Black

## PAINT, BULK (1 qt.)

	799344	White (Uncut)
	4392900	Biscuit (Uncut)
	786032	Black (Uncut)

## WATER SYSTEM PARTS

285442	Connector Kit, Plastic Drain Hose
285321	Sleeve Kit, (Contains 2 Sleeves)
285320	Siphon Break Kit
367031	Drain Protector

## SEALER

285195	Sealer, Gasket (.20 Fl. Oz.) (6 ml)
--------	--

## COUPLING

384496	Coupling, Hose
--------	----------------