

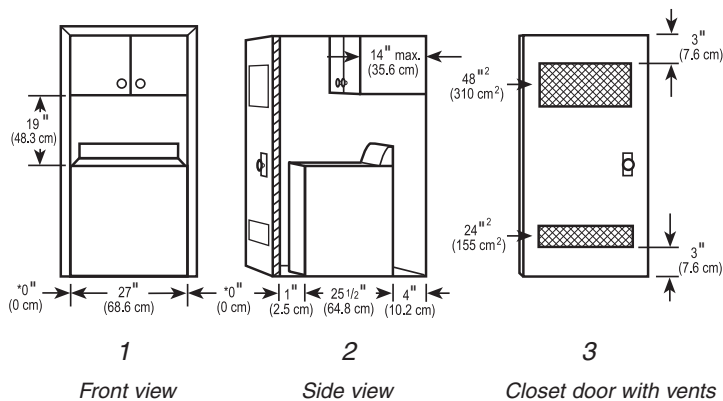
**PRODUCT MODEL NUMBERS**

WTW5100V	WTW57ESV
WTW5200V	WTW58ESV
WTW5300V	WTW5590V
WTW5505V	WTW5790V

**Electrical:** A 120-volt, 60-Hz, AC-only, 15- or 20-amp, fused electrical supply is required. A time-delay fuse or circuit breaker is recommended. It is recommended that a separate circuit serving only this appliance be provided.

**RECESSED AREA OR CLOSET INSTALLATION**

If a closet door is installed, the minimum ventilation openings in the top and bottom of the door are required (view 3). Louvered doors with equivalent air ventilation openings in the top and bottom are acceptable.



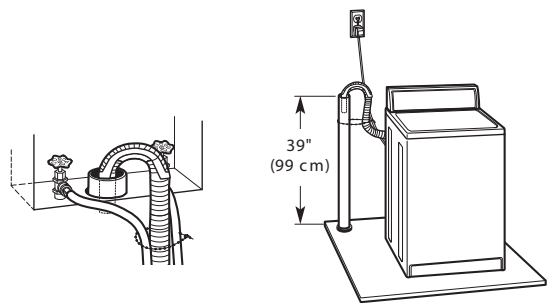
**DRAIN SYSTEM OPTIONS**

**Standpipe drain system - wall or floor (view 1 & 2)**

The standpipe drain requires a minimum diameter standpipe of 2 in. (5 cm). The minimum carry-away capacity can be no less than 17 gal. (64 L) per minute.

The top of the standpipe must be at least 39 in. (99 cm) high and no higher than 96 in. (244 cm) from the bottom of the washer.

**IMPORTANT:** To avoid siphoning, no more than 8" (20.3 cm) of drain hose should be inside the standpipe.

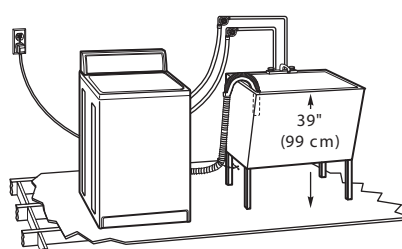


1

2

**Laundry tub drain system (view 3)**

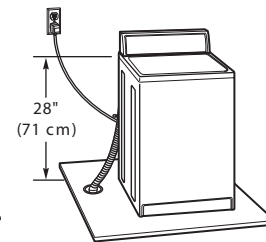
The laundry tub needs a minimum 20 gal. (76 L) capacity. The top of the laundry tub must be at least 39 in. (99 cm) above the floor and no higher than 96 in. (244 cm) from the bottom of the washer.



3

**Floor drain system (view 4)**

The floor drain system requires a siphon break that may be purchased separately. The siphon break must be a minimum of 28 in. (71 cm) from the bottom of the washer. Additional hoses might be needed.



4