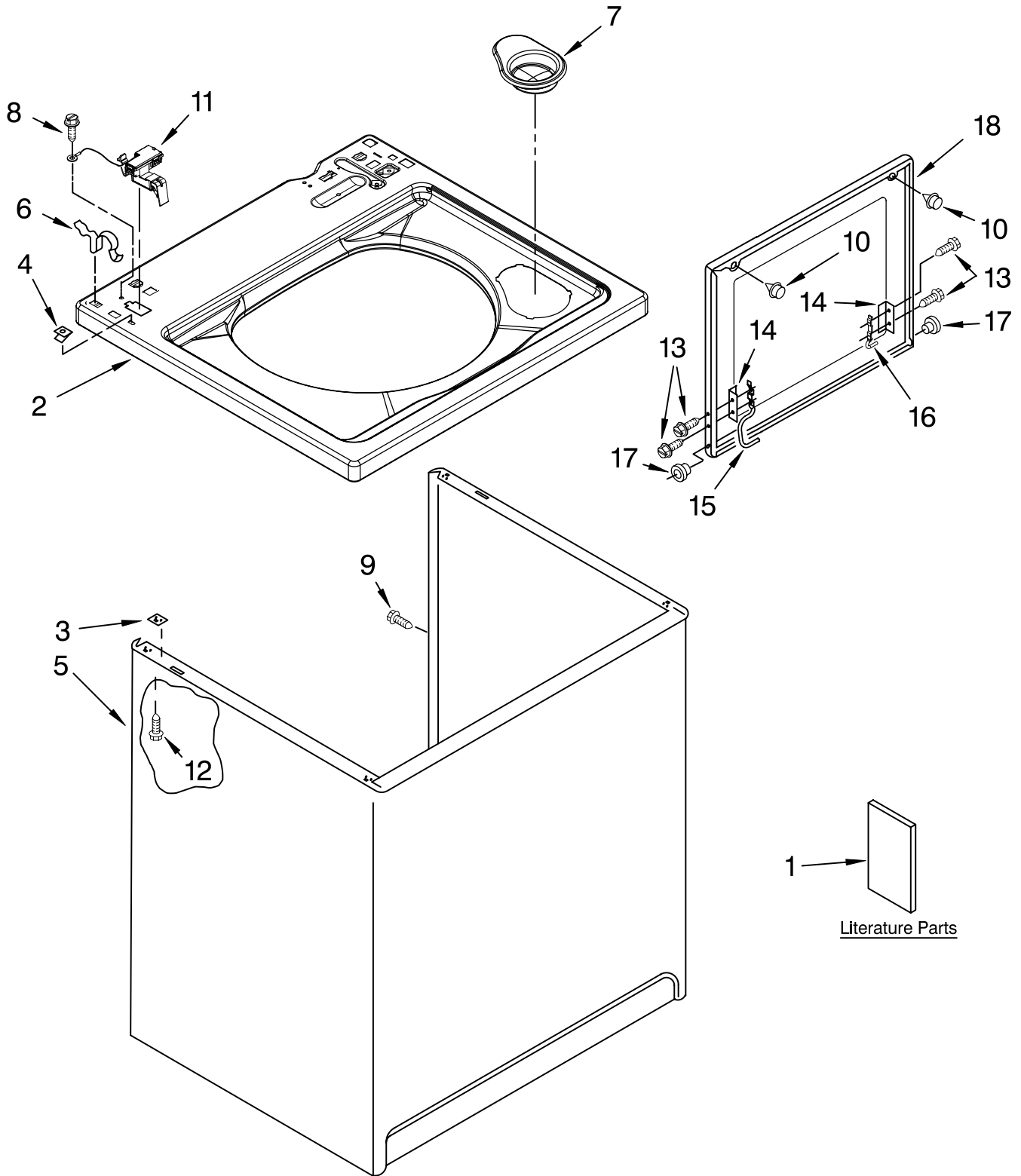




TOP AND CABINET PARTS

For Models: WTW550SQ0, WTW550ST0
(White) (Biscuit)

AUTOMATIC
WASHER



FOR ORDERING INFORMATION REFER TO PARTS PRICE LIST

TOP AND CABINET PARTS

For Models: WTW5500SQ0, WTW5500ST0
(White) (Biscuit)

Illus. No.	Part No.	DESCRIPTION
1		Literature Parts
	W10044800	Installation Instructions
	3955884	Use & Care Guide
	3957874	Feature Sheet
	W10023650	Energy Guide
	8578911	Wiring Diagram

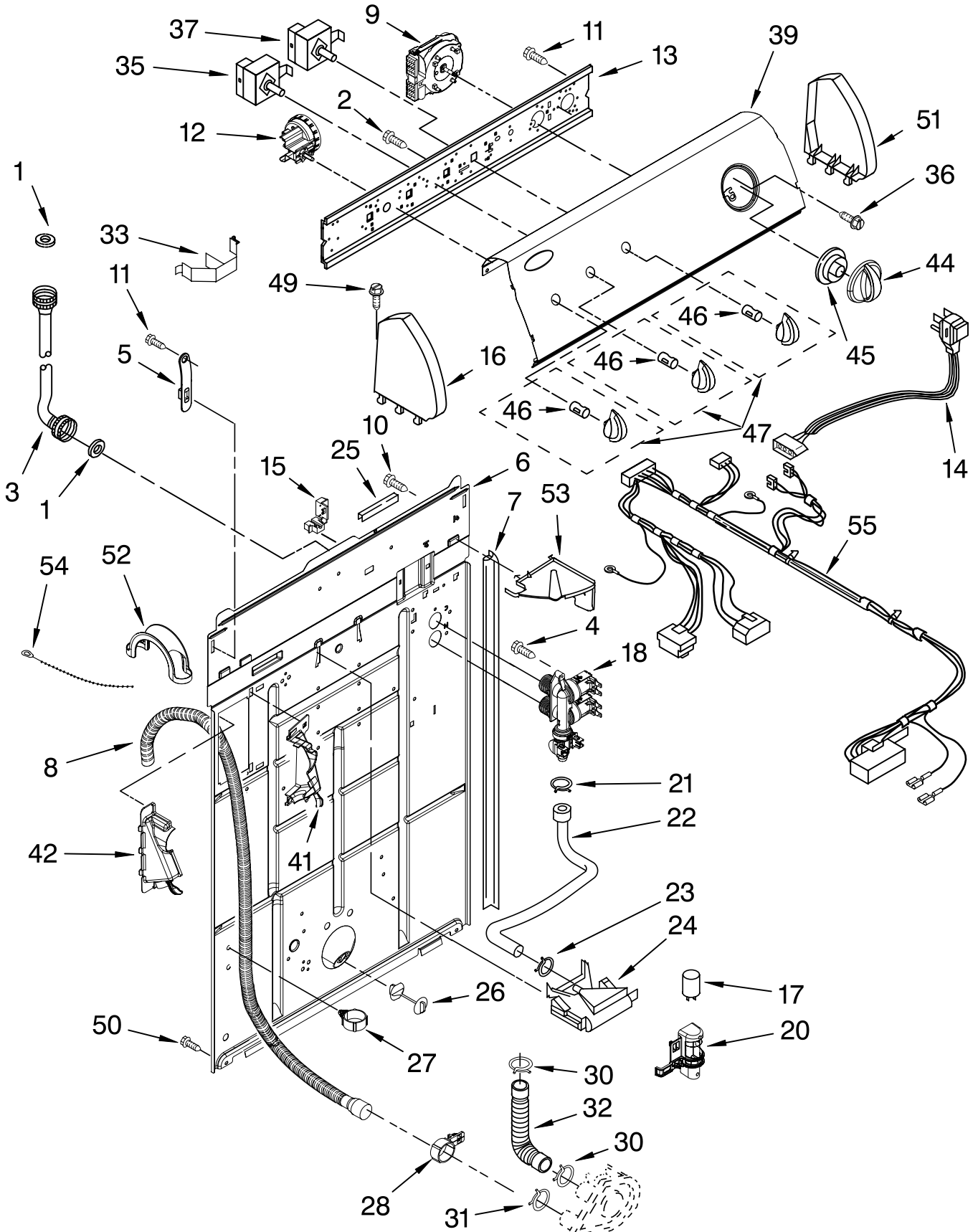
Following May Be Purchased

DO-IT-YOURSELF REPAIR MANUALS

	4313896	Manual, Washer
2		Top
	8543451	White
	8543452	Biscuit
3	62750	Spacer, Cabinet To Top (4)
4	357213	Nut, Push-In (2)
5		Cabinet
	63424	White
	3954357	Biscuit
6	62780	Clip, Top & Cabinet & Rear Panel (2)
7	8566266	Dispenser, Bleach
8	3351614	Screw, Ground
9	3357011	Screw, 10-16 x 1/2
10	9724509	Bumper, Lid (2)
11	8318084	Switch, Lid
12	3390631	Screw, 10-16 x 3/8 (4)
13	355274	Screw, Lid Hinge Mounting (4)
14	21097	Pad, Lid Hinge (2)
15	8559336	Hinge, Lid (L.H.)
16	91770	Hinge, Lid (R.H.)
17	8319539	Bearing, Lid Hinge (2)
18		Lid
	8580057	White
	8580058	Biscuit

CONTROLS AND REAR PANEL PARTS

For Models: WTW550SQ0, WTW550ST0
(White) (Biscuit)



FOR ORDERING INFORMATION REFER TO PARTS PRICE LIST

CONTROLS AND REAR PANEL PARTS

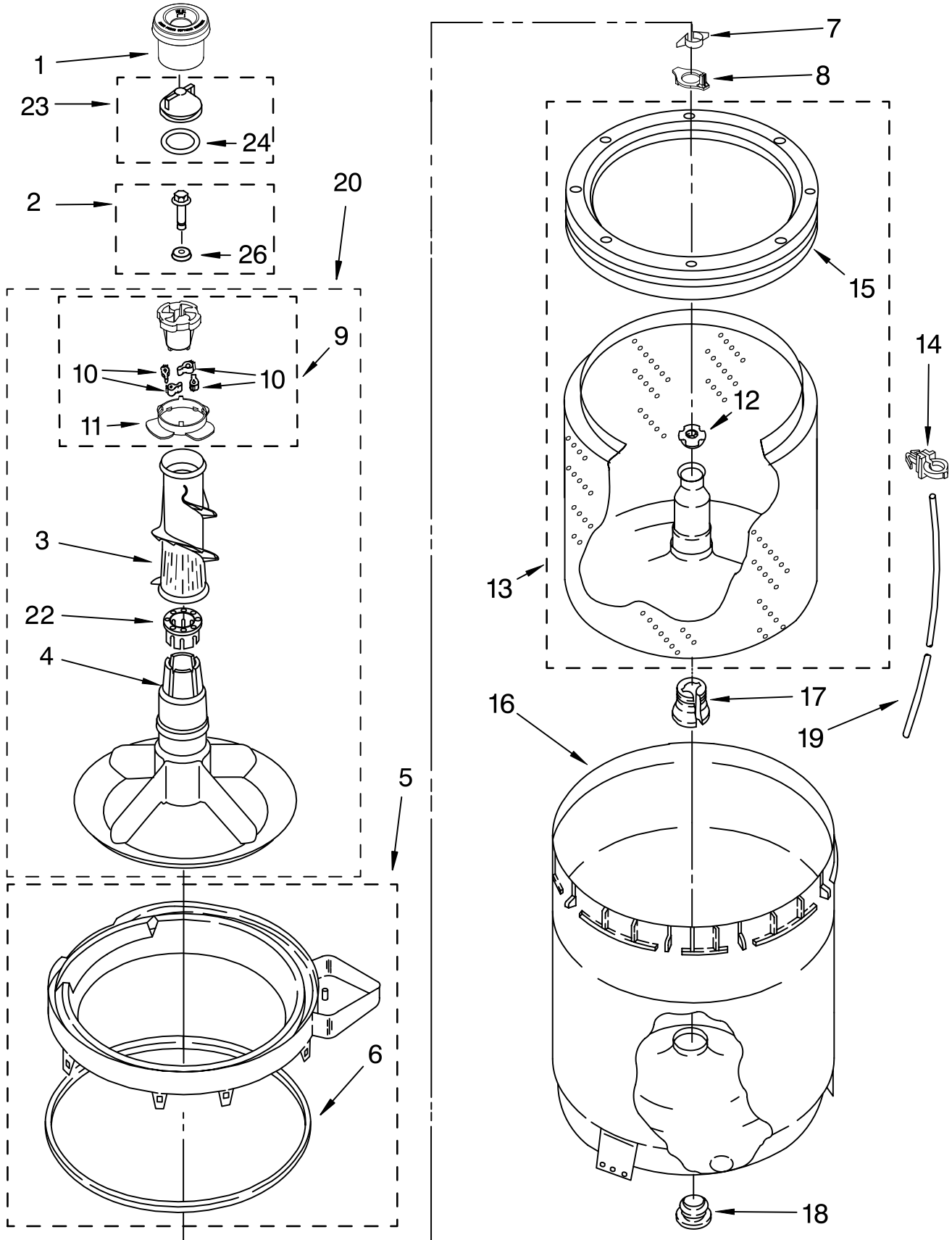
For Models: WTW5500SQ0, WTW5500ST0
(White) (Biscuit)

Illus. No.	Part No.	DESCRIPTION	Illus. No.	Part No.	DESCRIPTION	Illus. No.	Part No.	DESCRIPTION
1	3976300	Washer, Water Inlet Hose (4) (1-1/16 x 5/8)	16		Cap, End (L.H.)	39		Panel, Console
				8271365	White		8578785	White
				8271368	Biscuit		8578786	Biscuit
2	3400073	Screw, Ground	17	8572717	Capacitor, Motor Start	41	8541669	Bucket, Drain Hose (Left Half)
3		Hose, Water Inlet (2)	18	8578343	Valve, Water Inlet W/Bi-Metal	42	8541658	Bucket, Drain Hose (Right Half)
	8571377	Blue Coupler				44		Knob, Timer
	8571378	Red Coupler	20	8318046	Clip, Capacitor		8566022	White
4	9740848	Screw, 8-18 x 1/2	21	301958	Clamp, Hose		8566025	Biscuit
5	8568314	Strap, Console (2)	22	8317974	Hose, Vacuum Break	45	8566018	Dial, Timer
6	8318015	Panel, Rear				46	8536939	Clip, Knob
7	62747	Pad, Rear Panel	23	370450	Clamp, Hose	47		Knob, Control
8	8559373	Drain Hose Assembly (Includes Items 27 & 28)	24	387606	Break, Vacuum		8565944	White
			25	303294	Edge Protector		8565947	Biscuit
9	8577356	Timer, Control (60 Hz.) (Motor Not A Service Part)	26	8519200	Support, Rear Panel	49	388326	Screw, 8-18 x 1.25 (Panel to Top)
			27	8541667	Clamp, Hose	50	62863	Screw, 10-16 x 3/8
10	3351614	Screw, Ground	28	8541668	Clamp, Hose	51		Cap, End (R.H.)
11	90767	Screw, 8-18 x 3/8	30	3363366	Clamp, Hose		8271359	White
12	8577844	Switch, Water Level	31	8317496	Clamp, Hose		8271362	Biscuit
13	8544893	Bracket, Control	32	3951449	Hose, Pump To Tub (Includes Item 30)	52	8577378	U-Bend, Drain Hose
14	3956162	Cord, Power (Includes Item 15)	33	8055003	Clip, Harness & Pressure Hose	53	8539874	Shield, Suds
15	3952821	Strain Relief, Power Cord	35	8578338	Switch, Water Temperature	54	3347868	Cable Tie
			36	3400818	Screw, Timer Mounting	55	3958077	Wiring Harness (For Detail See Pages 9 & 10)
			37	3949187	Switch, Rotary			

FOR ORDERING INFORMATION REFER TO PARTS PRICE LIST

AGITATOR, BASKET AND TUB PARTS

For Models: WTW550SQ0, WTW550ST0
(White) (Biscuit)



FOR ORDERING INFORMATION REFER TO PARTS PRICE LIST

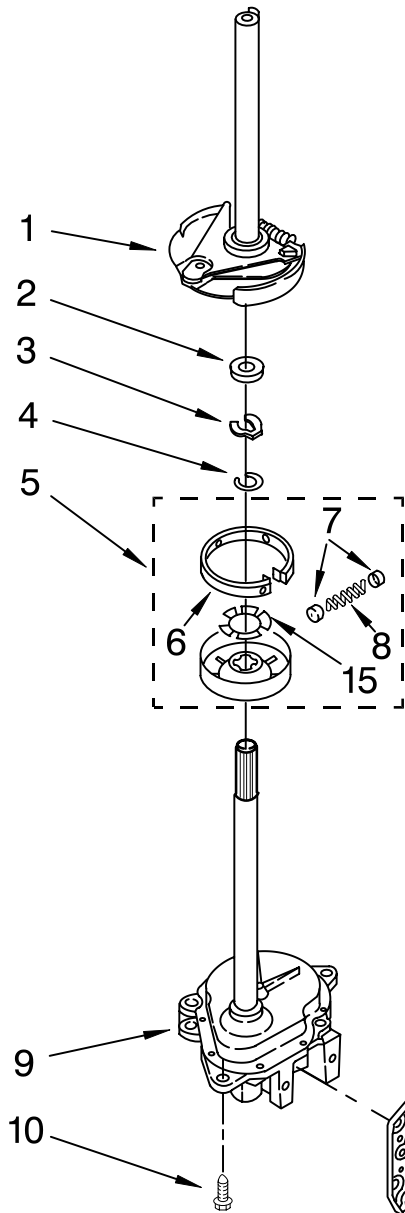
AGITATOR, BASKET AND TUB PARTS

For Models: WTW550SQ0, WTW550ST0
(White) (Biscuit)

Illus. No.	Part No.	DESCRIPTION
1	8575076	Dispenser, Fabric Softener
2	358237	Screw & Washer (5/16-24 x 1)
3	3363003	Clothes Mover
4	3951632	Agitator
5	8528150	Tub Ring & Gasket
6	3976308	Gasket, Tub Ring
7	3354845	Clip, Agitator
8	8543666	Washer, Agitator
9	3951682	Cam, Driven
10	3366877	Dog, Agitator Clutch (4)
11	3952374	Bearing, Cam Driven
12	21366	Nut, Spanner
13	8526016	Basket & Balance Ring
14	2219077	Clip, Pressure Switch Hose
15	8519788	Balance Ring
16	63849	Tub
17	389140	Block, Basket Drive
18	383727	Gasket, Centerpost
19	3347780	Hose, Pressure Switch
20	3951744	Agitator (Complete)
22	3951608	Spacer, Thrust
23	3354733	Cap, Barrier
24	3348855	Seal, Inner Cap
26	3949550	Washer

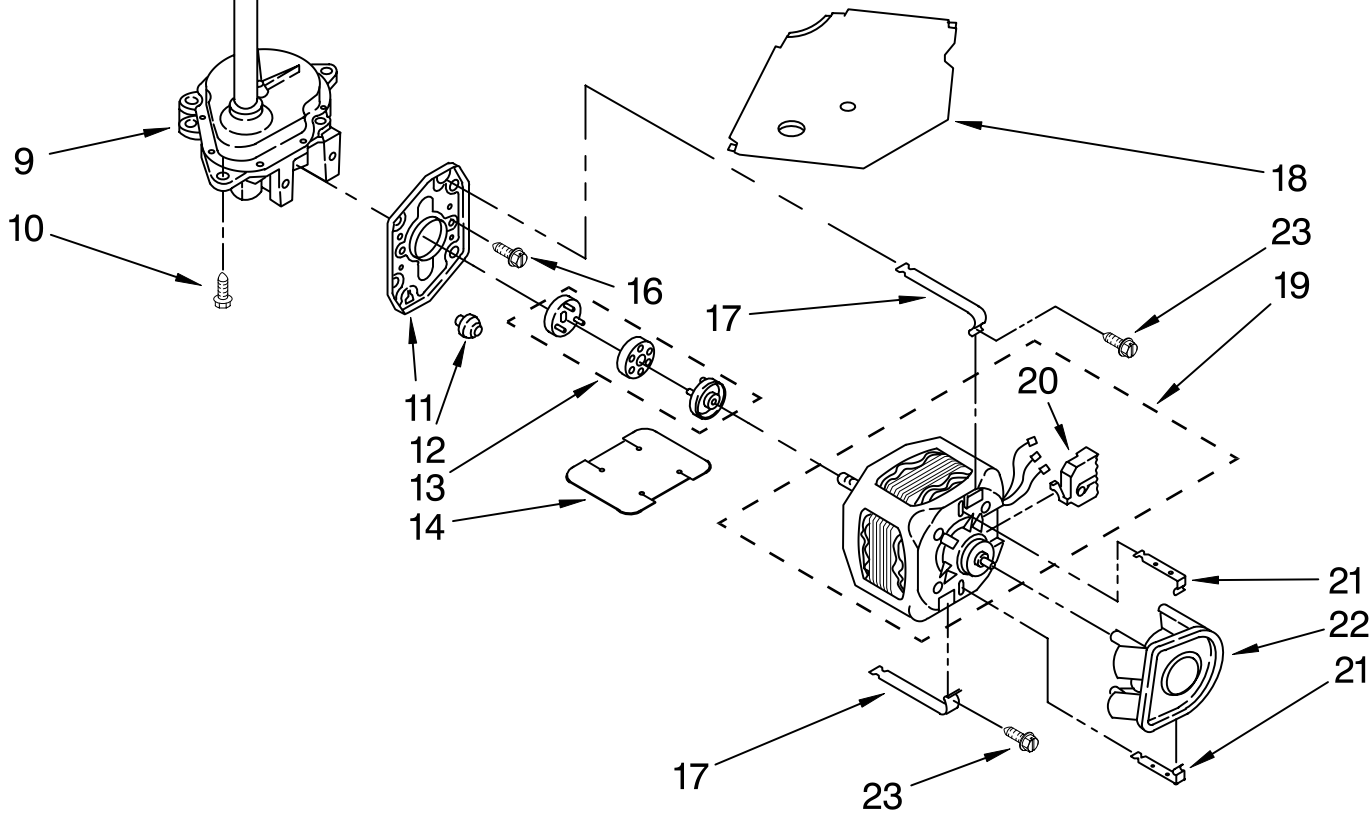
BRAKE, CLUTCH, GEARCASE, MOTOR AND PUMP PARTS

For Models: WTW5500SQ0, WTW5500ST0
(White) (Biscuit)



Illus. No.	Part No.	DESCRIPTION
1	388952	Brake & Drive Tube (Complete) (Refer to Page 11 For Further Breakdown)
2	63292	Washer, Spin Tube Thrust
3	62697	Ring, Spin Tube Support
4	63283	Ring, Retainer
5	3951311	Clutch (Complete)
6	3951308	Band & Lining, Clutch (Includes Items 7 & 8)
7	62646	Cap, Clutch Spring (2)
8	3946792	Spring, Clutch
9	3360630	Gearcase (Complete) (Refer To Page 12 For Further Breakdown)
10	3357334	Screw, Gearcase To Base (3)

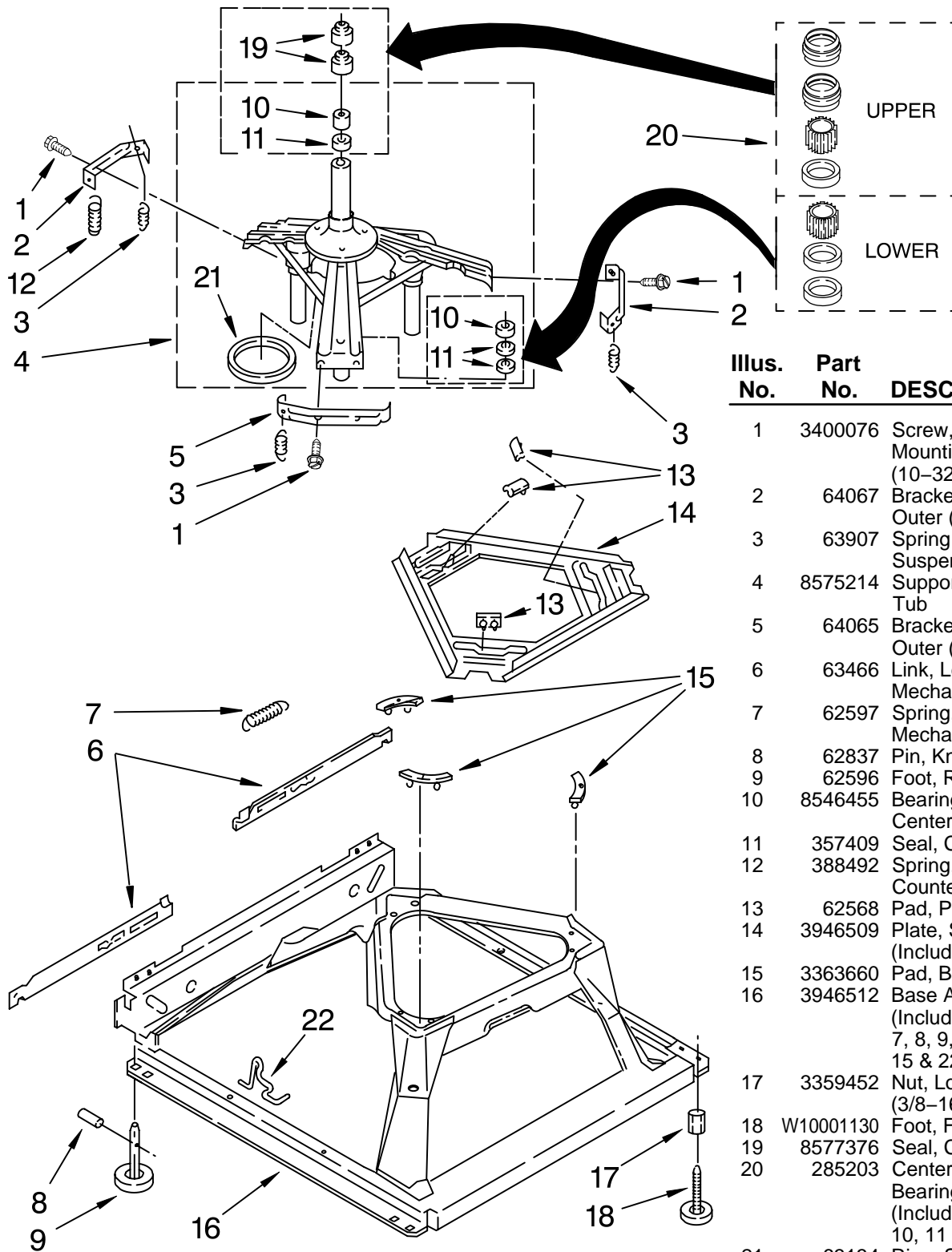
Illus. No.	Part No.	DESCRIPTION
11	62611	Plate, Motor Mount To Gearcase
12	62691	Grommet, Motor (4)
13	285753	Coupling, Motor & Isolation
14	3946532	Shield, Motor
15	3355454	Clip, Anti-Rattle
16	3400516	Screw
17	3349637	Retainer, Motor (2)
18	3362089	Shield, Tub To Motor
19	8528157	Motor, Main Drive
20	3952056	Switch, Main Drive Motor
21	8546127	Retainer, Pump (2)
22	3363394	Pump (Complete)
23	3387485	Screw, 10-16 x 5/8



FOR ORDERING INFORMATION REFER TO PARTS PRICE LIST

MACHINE BASE PARTS

For Models: WTW5500SQ0, WTW5500ST0
(White) (Biscuit)

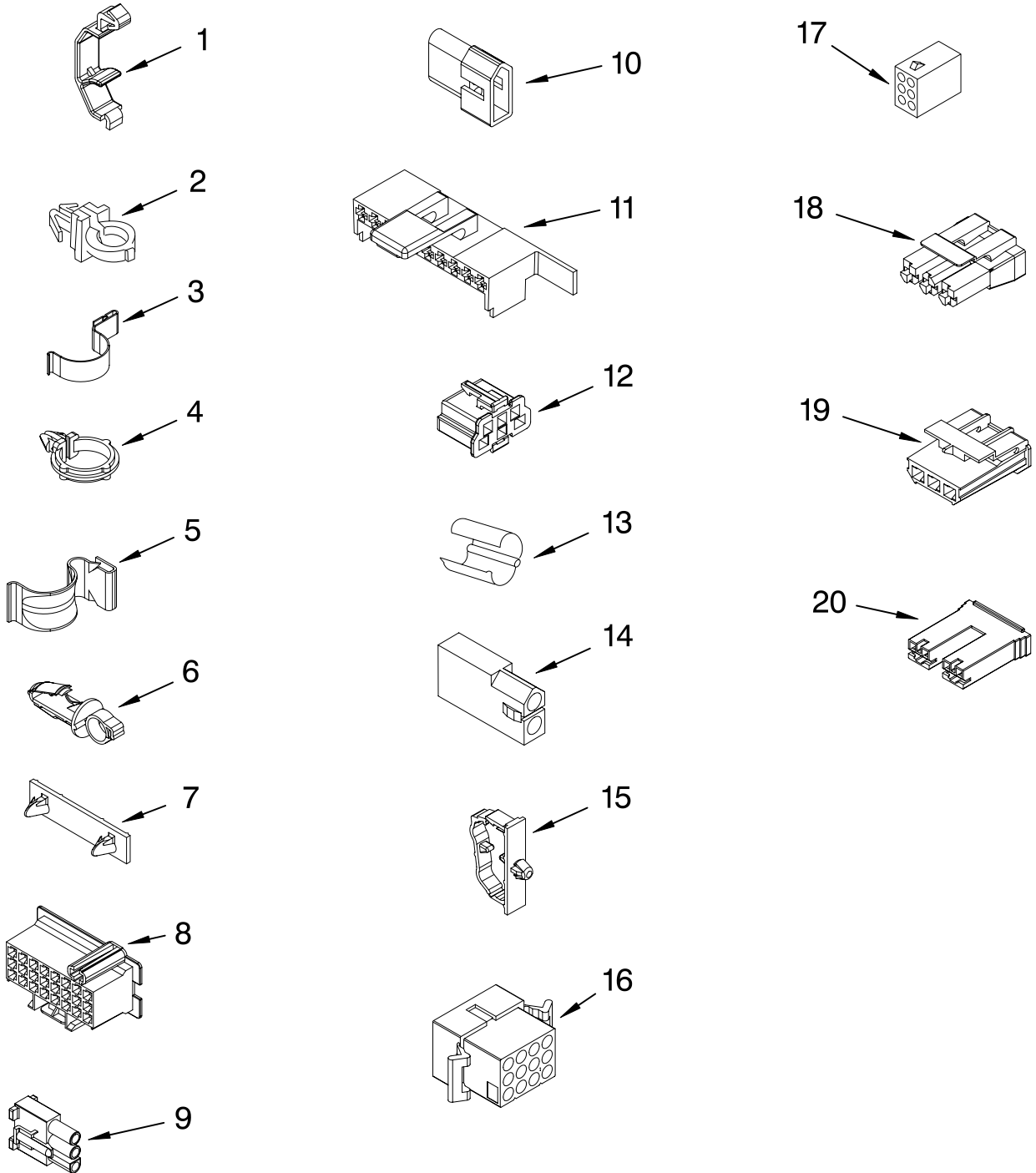


Illus. No.	Part No.	DESCRIPTION
1	3400076	Screw, Bracket Mounting (10-32 x 5/8)
2	64067	Bracket, Spring Outer (2)
3	63907	Spring Suspension,(3)
4	8575214	Support & Brake, Tub
5	64065	Bracket, Spring Outer (L.F.)
6	63466	Link, Leveling Mechanism (2)
7	62597	Spring, Leveling Mechanism
8	62837	Pin, Knurled
9	62596	Foot, Rear (2)
10	8546455	Bearing, Centerpost (2)
11	357409	Seal, Centerpost (3)
12	388492	Spring, Counterweight
13	62568	Pad, Plate
14	3946509	Plate, Suspension (Includes Item 13)
15	3363660	Pad, Base
16	3946512	Base Assembly (Includes Items 6, 7, 8, 9, 13, 14, 15 & 22)
17	3359452	Nut, Lock (2) (3/8-16)
18	W10001130	Foot, Front (2)
19	8577376	Seal, Centerpost
20	285203	Centerpost Bearing Kit (Includes Items 10, 11 & 19)
21	63134	Ring, Sound Deadening
22	63806	Retainer, Suspension Spring

FOR ORDERING INFORMATION REFER TO PARTS PRICE LIST

WIRING HARNESS PARTS

For Models: WTW550SQ0, WTW550ST0
(White) (Biscuit)



WH2J

FOR ORDERING INFORMATION REFER TO PARTS PRICE LIST

WIRING HARNESS PARTS

For Models: WTW5500SQ0, WTW5500ST0
(White) (Biscuit)

Illus. No.	Part No.	DESCRIPTION	Illus. No.	Part No.	DESCRIPTION	Illus. No.	Part No.	DESCRIPTION
1	3349557	Retainer, Harness	9	62889	Receptacle, Terminal (3-Way)	16	3390423	Block, Disconnect (12-Way)
2	388498	Clip, Harness				17	3347730	Receptacle (6-Way)
3	3347812	Clip, Harness	10	353424	Plug, Terminal (3-Way)	18	3948617	Connector (T.P.A.) (3-Circuit)
4	3352501	Clip, Harness (Push-In)	11	62505	Block, Disconnect (Motor 2 Speed)	19	3360056	Plug (T.P.A.) (3-Circuit)
5	90016	Clip, Harness (Half-Harness)	12	3347243	Block, Disconnect			(Pressure Switch)
6	3390496	Clip, Harness	13	63523	Protector	20		Block, Connector
7	389379	Retainer, Harness	14	717252	Connector (2-Way)		3354925	Natural
8		Timer, Block Disconnect	15	3352944	Clip, Harness		3354926	Red
	3948614	Natural						
	352089	Black						

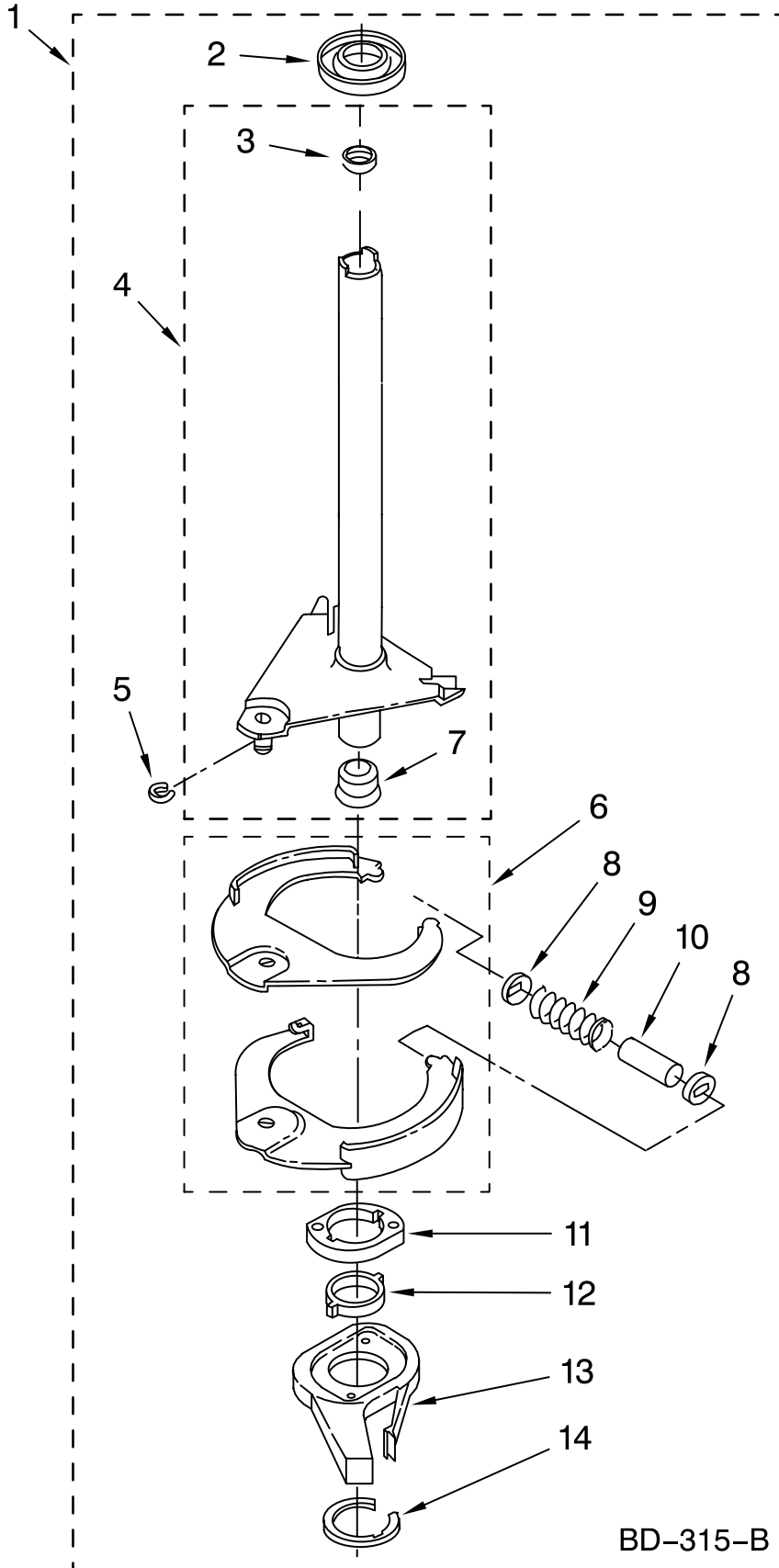
**FOR COMPLETE WIRING HARNESS REFER TO
CONTROL AND REAR PANEL PARTS PAGE**

WH2J

FOR ORDERING INFORMATION REFER TO PARTS PRICE LIST

BRAKE AND DRIVE TUBE PARTS

For Models: WTW550SQ0, WTW550ST0
(White) (Biscuit)



Illus. No.	Part No.	DESCRIPTION
------------	----------	-------------

1	388952	Brake And Drive Tube (Complete)
2	62658	Ring, Thrust
3	356427	Seal, Drive Tube
4	64027	Tube, Basket Drive (Includes Illus. 3, 4, 5 & 9)
5	64035	Ring, Retaining
6	64232	Shoe, Brake (2)
7	62703	"T" Bearing, Spin Tube
8	3353956	Cap, Brake Spring (2)
9	387806	Spring, Brake
10	3355360	Sleeve, Brake Spring
11	661516	Cam, Brake Release
12	63022	Sleeve, Cam
13	64194	Driver, Brake Cam
14	90368	Ring, Retaining

FOLLOWING PARTS NOT ILLUSTRATED

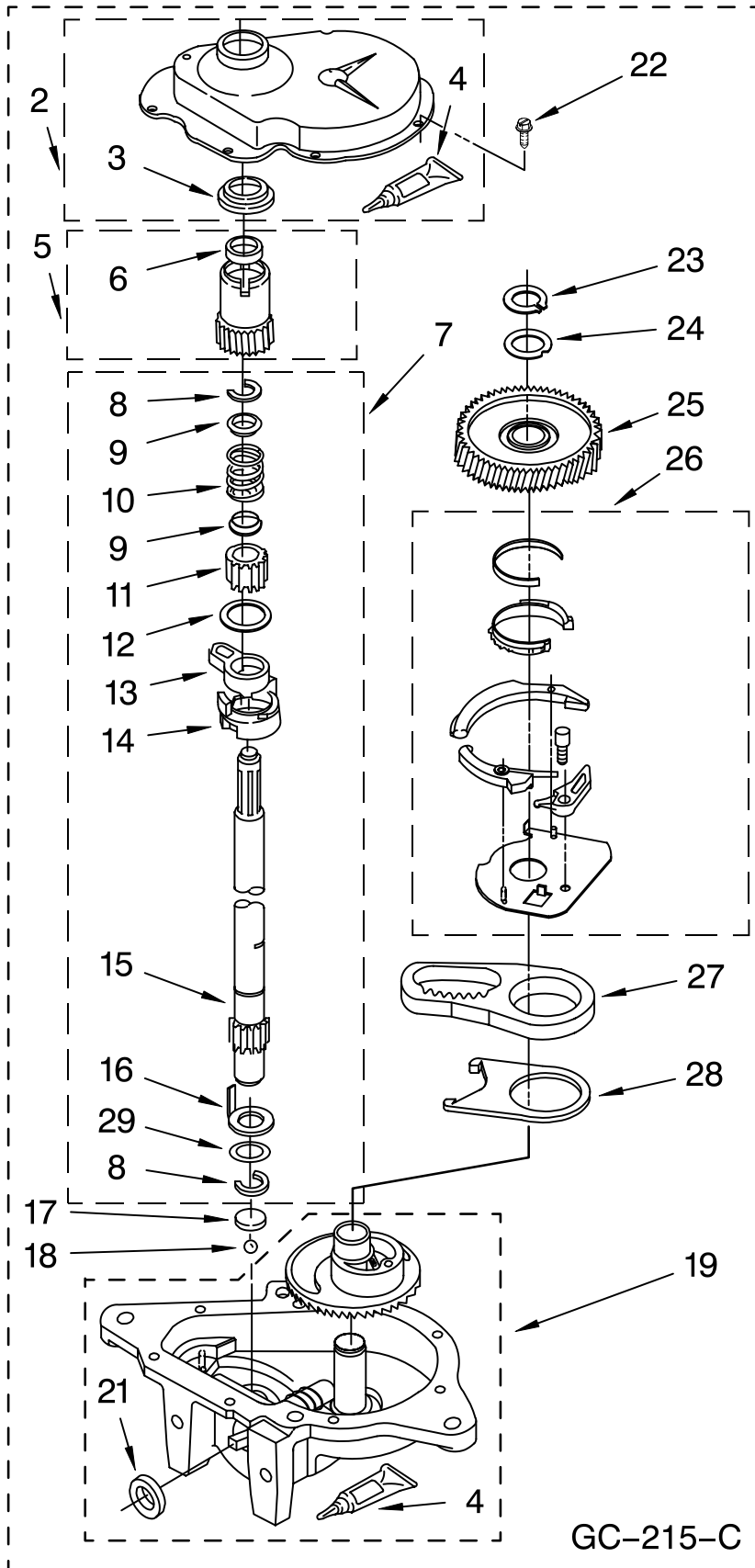
285208 Lubricant
(Use Only In Brake Shoe Assembly On Roller & Pin)

BD-315-B

FOR ORDERING INFORMATION REFER TO PARTS PRICE LIST

GEARCASE PARTS

For Models: WTW5500SQ0, WTW5500ST0
(White) (Biscuit)



Illus. No.	Part No.	DESCRIPTION
1	3360630	Gearcase (Complete)
2	285202	Cover, Gearcase
3	3349985	Seal, Gearcase Cover
4	285195	Sealer, Gasket (.20 Fl. Oz.) (6 ml)
5	63320	Pinion, Spin (Includes Illus. 25)
6	356427	Seal, Spin Pinion
7	389387	Shaft, Agitator (Complete)
8	90369	Ring, Retaining (2)
9	62677	Retainer, Spring
10	62676	Spring, Agitate
11	63273	Gear, Agitate (Includes 15 and 29)
12	62619	Washer, Agitate Gear
13	62580	Cam Follower (Includes 14)
14	62581	Cam, Agitate (Includes 13)
15	285509	Shaft, Agitator (Includes 11 and 29)
16	62618	Washer, Cam Thrust
17	16018	Bearing, Thrust
18	85529	Ball, Bearing
19	389230	Bottom and Pinion, Gearcase
21	285352	Seal, Thrust Plug
22	3351614	Screw, Gearcase Cover, Mounting (8) (10-24 x 3/8)
23	3362552	Ring, Retaining
24	285735	Washer Kit, Thrust
25	62570	Gear, Spin
26	388253	Neutral Assembly
27	3349296	Rack, Connecting
28	62621	Actuator, Shift
29	388815	Washer, Intermediate

GC-215-C

FOR ORDERING INFORMATION REFER TO PARTS PRICE LIST

OPTIONAL PARTS (NOT INCLUDED)

For Models: WTW5500SQ0, WTW5500ST0
(White) (Biscuit)

Illus. No.	Part No.	DESCRIPTION
-------------------	-----------------	--------------------

PAINT, TOUCH-UP (1/2oz.)

72017 White
4392899 Biscuit

PAINT, PRESSURIZED SPRAY (12 oz.)

350938 Primer, Gray
350930 White
4392901 Biscuit

PAINT, BULK (1 qt.)

799344 White (Uncut)
4392900 Biscuit (Uncut)

OIL

350572 Oil, Gearcase
(16 Oz.)

LUBRICANT

285208 Lubricant (Use
Only in Brake
Shoe Assembly
On Roller and
Pin)

SEALER

285195 Sealer, Gasket
(.20 Fl. Oz.) (6 ml)

ACCESSORY PARTS

367031 Drain Protector
280129 Siphon Break Kit
280130 Drain Hose
Adapter Kit
280131 Drain Hose
Extension Kit

FOR ORDERING INFORMATION REFER TO PARTS PRICE LIST