

# PARTS LIST

for



## AUTOMATIC WASHER

**MODEL**  
**LA5300XPW4**

▲W—White, N—Almond,  
F—Toast, M—Platinum,  
G—Golden Harvest



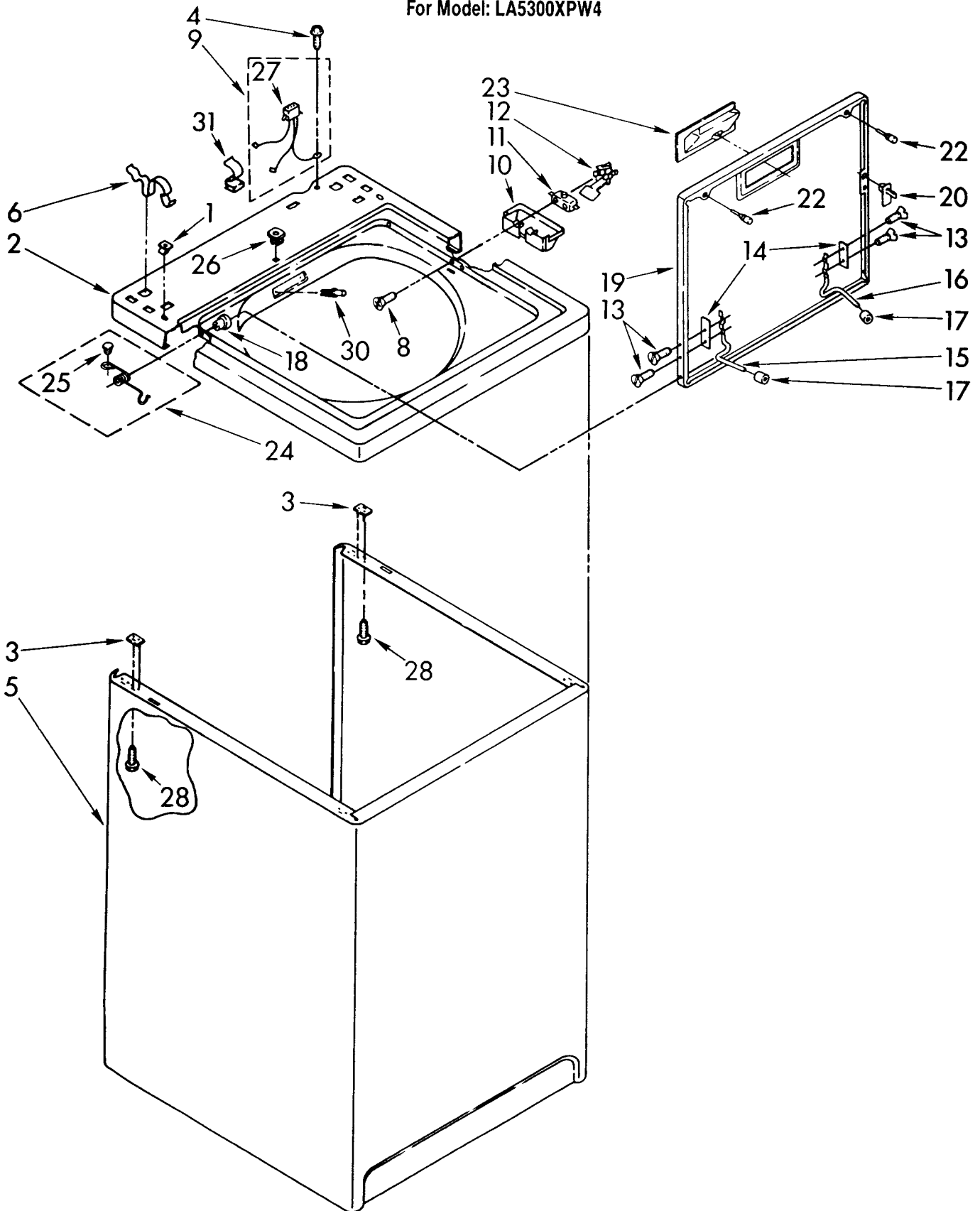
FOR CUSTOMER SATISFACTION ALWAYS USE  
FACTORY SPECIFICATION PARTS



**Whirlpool** CORPORATION  
Benton Harbor, Michigan.

# TOP AND CABINET PARTS

For Model: LA5300XPW4



FOR ORDERING INFORMATION REFER TO PARTS PRICE LIST

1	358473	Nut, Push-In (2)
2		Top
	63574	White
	63575	Almond
	63576	Toast
	63577	Platinum
	63578	Golden Harvest
3	62750	Spacer, Cabinet To Top (4)
4	687128	Screw, 10-16 x 1/2
5		Cabinet
	63424	White
	63425	Almond
	63426	Toast
	63427	Platinum
	63428	Golden Harvest
6	62780	Clip, Top & Cabinet & Rear Panel (2)
8	354764	Screw & Washer, Lid Switch (2)
9	63833	Harness, Lid Switch
10	359231	Shield, Lid Switch
11	359230	Switch, Lid
12	357347	Actuator, Lid Switch
13	18724	Screw, Lid Hinge Mounting (4)
14	21097	Pad, Lid Hinge (2)
15	54584	Hinge, Lid (L.H.)
16	54583	Hinge, Lid (R.H.)
17	19119	Bumper, Lid Hinge
18	21258	Bearing, Lid Hinge (2)
19		Lid
	387074	White
	387075	Almond
	387077	Toast
	387076	Platinum
	387078	Golden Harvest
20	358684	Strike, Lid Switch
22	93770	Bumper, Lid (2)
23		Handle, Lid
	379884	White
	379885	Almond
	379890	Toast
	379891	Platinum
	379888	Golden Harvest
24		Spring & Button, Lid
	53749	(L.H.)
	53748	(R.H.)
25	54690	Plug, Button
26	358472	Stop, Push-In Top
27	62888	Plug, Terminal (3-Way)
28	384435	Screw, 10-16 x 1/2 (4)
30	354239	Rivet, Serial Nameplate
31	90016	Clip, Harness

LITERATURE PARTS

LIT385238	Guide, Laundry
LIT3347009	Sheet, Installation Instructions
LIT387257	Guide, Use and Care
LIT386200	Label, Energy Guide
LIT3347056	List, Repair Parts

OPTIONAL PARTS NOT INCLUDED

PAINT, TOUCH UP (1/2 oz.)

72017	White
72107	Almond
72112	Toast
72113	Platinum
72110	Golden Harvest

PAINT PRESSURIZED SPRAY (13 oz.)

350941	Leveler (Thinner)
350938	Primer, Gray
350930	White
350956	Almond
285365	Toast
285366	Platinum
261880	Golden Harvest

PAINT, BULK (1 qt.)

799344	White (Uncut)
978883	Almond (Uncut)
285367	Toast (Uncut)
285368	Platinum (Uncut)
261891	Golden Harvest (Uncut)

OIL

350572	Oil, Gearcase (16 Oz.)
--------	------------------------

LUBRICANT

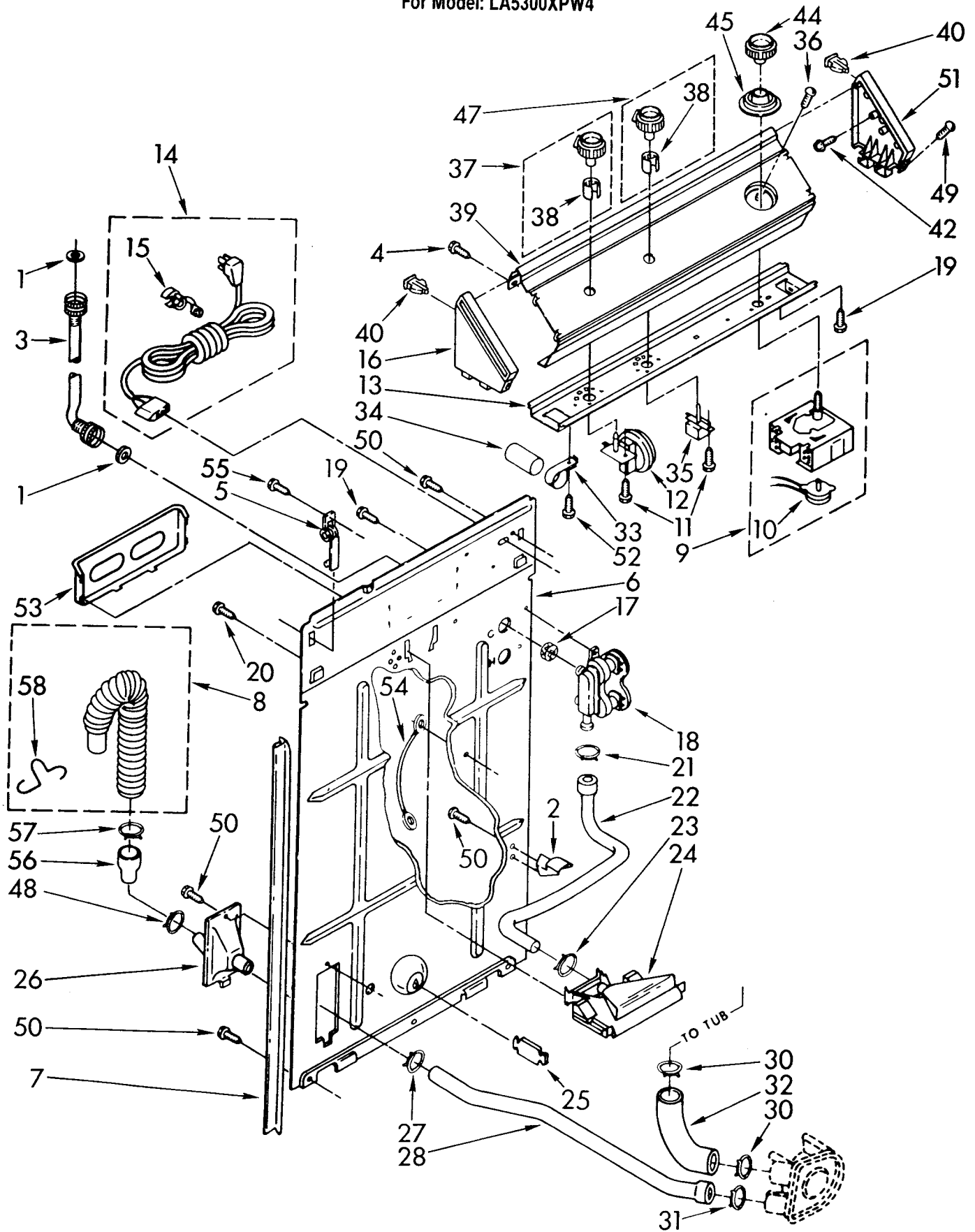
2852	8 Lubricant (Use Only in Brake Shoe Assembly On Roller and Pin)
------	---

SEALER

285195	Sealer, Gasket (.20 Fl. Oz.) (6 ml)
--------	-------------------------------------

# CONTROLS AND REAR PANEL PARTS

For Model: LA5300XPW4

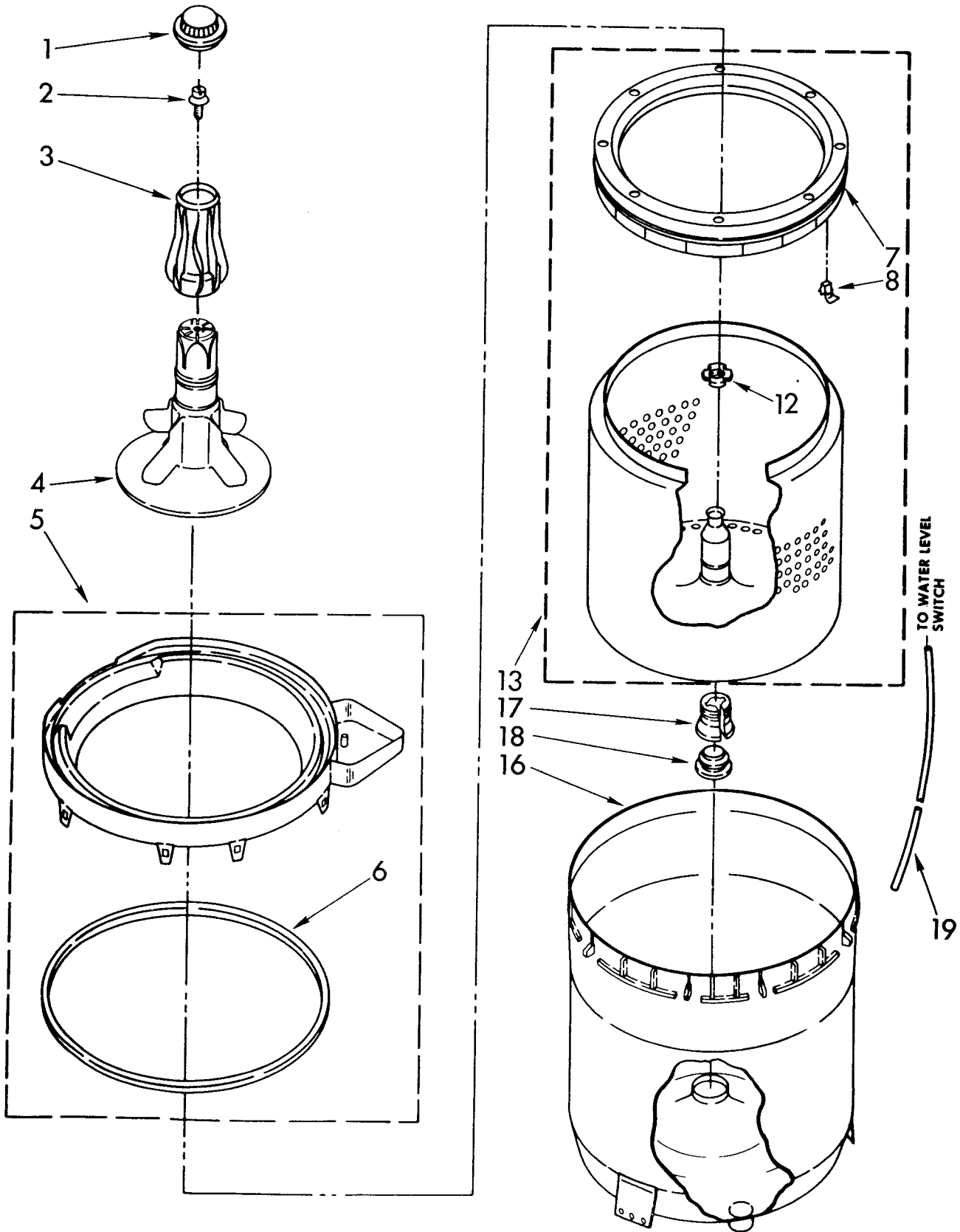


FOR ORDERING INFORMATION REFER TO PARTS PRICE LIST

1	16123	Washer, Water Inlet Hose (4) (1-1/16 x 5/8)
2	63162	Pin, Cabinet Guide (2)
3	81339	Hose, Water Inlet (2)
4	687128	Screw, 10-16 x 1/2
5	387402	Hinge, Console (2)
6	387692	Panel, Rear
7	62747	Pad, Rear Panel
8	387325	Hose, Corrugated Plastic Drain (5-1/2 Ft.)
	388418	Hose, Corrugated Plastic Drain (10 Ft.) (Not Included)
9	64100	Timer, Control (60 Hz.)
10	63493	Motor, Timer
11	90767	Screw, 8A x 3/8
12	63834	Swi\tch, Wa\ter Level
13	386628	Bracket, Control
14	62734	Cord, Power
15	62733	Strain Relief, Power Cord
16	63789	Cap, End (L.H.)
17	96160	Screen, Filter (2)
18	358992	Valve, Water Mixing
19	90864	Screw, 10-24 x 3/8 (2)
20	359262	Screw, Ground (10-16 x 1/2)
21	272846	Clamp, Hose
22	62662	Hose, Vacuum Break
23	371503	Clamp, Hose
24	63029	Break, Vacuum
25	63290	Support, Rear Panel
26	63206	Connector, Drain Hose
27	272856	Clamp, Hose
28	63172	Hose, Pump To Drain Connector
30	371502	Clamp, Hose
31	272858	Clamp, Hose
32	62731	Hose, Pump To Tub
33	357030	Clamp, Capacitor
34	357021	Capacitor, Motor Start (MFD 189, 110 Volts)
35	660746	Switch, Water Temperature
	358934	(Alt.)
	358935	(Alt.)
36	96435	Screw, Timer Mounting (10-32 x 1) (2)
37	386630	Knob, Water Level
38	688805	Clip, Control Knob
39	63683	Panel, Console
40	689559	Nut, Push-In (2)
42	355326	Screw, 13-16 x 5/8 (4)
44	386570	Knob, Timer
45	64138	Dial, Timer
47	386630	Knob, Water Temperature
48	356138	Clamp, Hose
49	64211	Screw, 8-18 (2) (Panel to Top)
50	62863	Screw, 10-16 x 3/8
51	63795	Cap , End (R.H.)
52	343641	Screw, 10-16 x 1/2
53	63020	Rack, Literature
54	364089	Wire, Ground
55	9416643	Screw, 10-16 x 1/2 (2)
56	384496	Coupling, Hose
57	371504	Clamp, Hose
58	357247	Retainer, Wire

# AGITATOR, BASKET AND TUB PARTS

For Model: LA5300XPW4

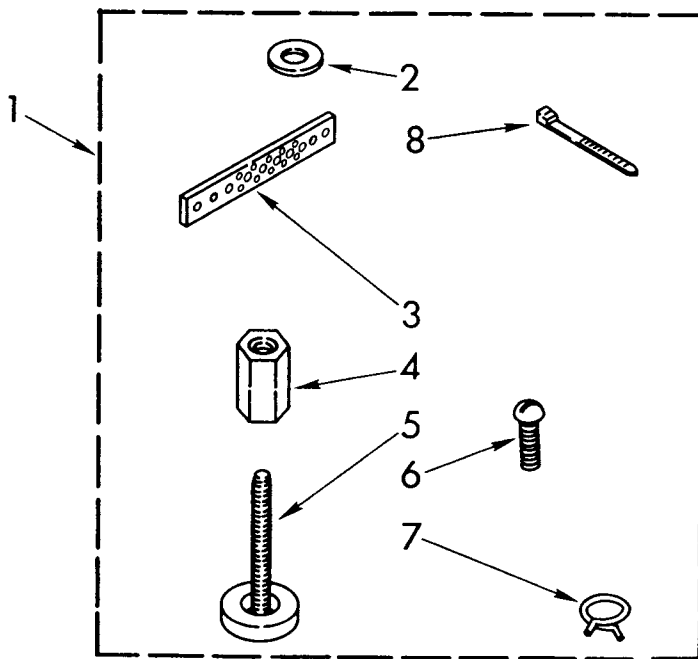


FOR ORDERING INFORMATION REFER TO PARTS PRICE LIST

1	63911	Cap, Agitator
2	358237	Screw & Washer (5-16-24 x 1)
3	63753	Filter, Manual
4	63750	Agitator
5	387966	Tub Ring & Gasket
6	63222	Gasket, Tub Ring
7	387868	Balance Ring
8	387867	Clip, Balance Ring (8)
12	21366	Nut, Spanner
13	387713	Basket & Balance Ring
16	63125	Tub
17	357782	Block, Basket Drive
18	62665	Gasket, Centerpost
19	386757	Hose, Pressure Switch



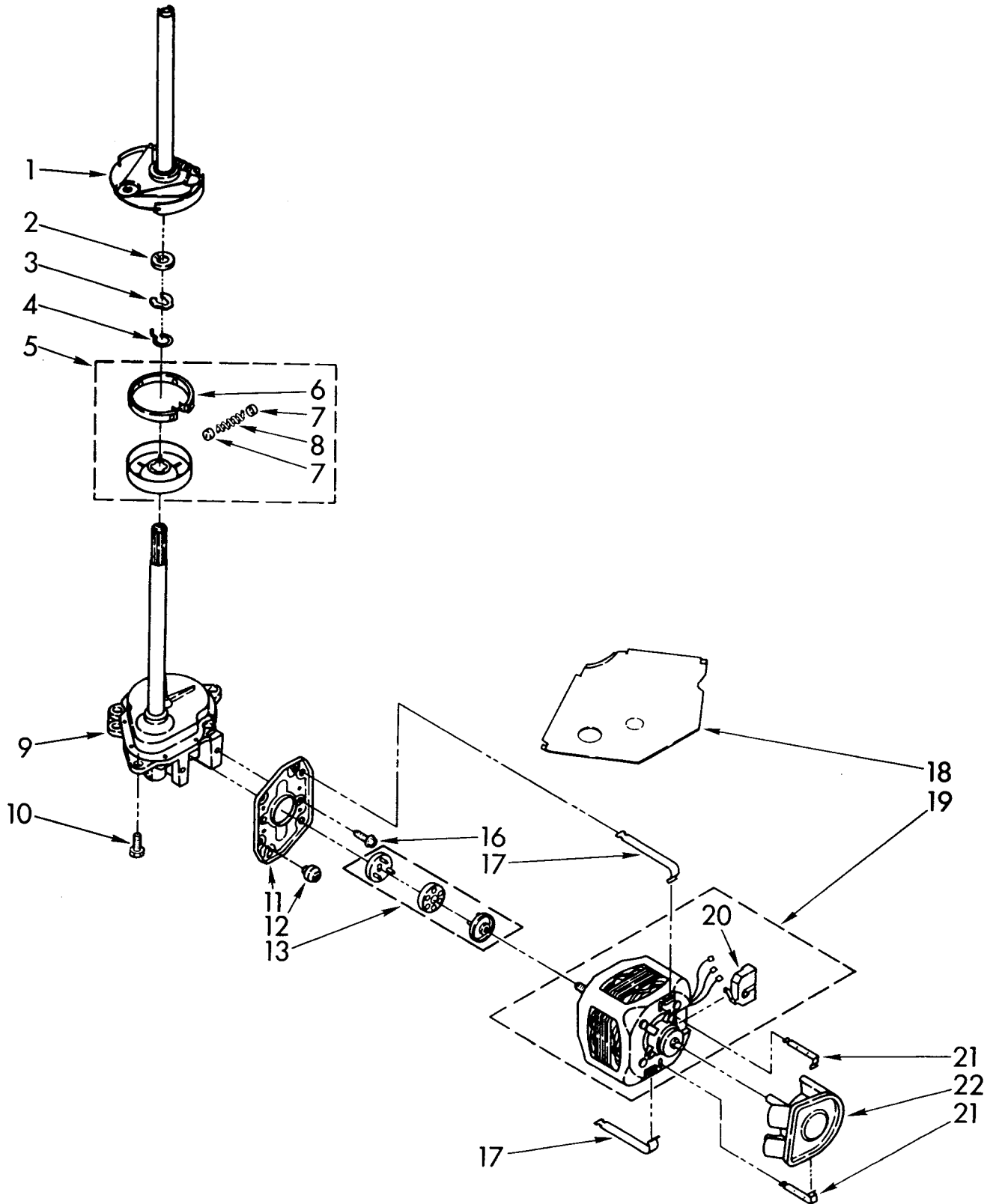
## MISCELLANEOUS PARTS



1	384251	Miscellaneous Parts Bag
2	16123	Washer, Inlet Hose (1-1/16 x 5/8) (4)
3	22965	Strap, Ground
4	62739	Nut, Lock (2) (3/8-16)
5	386047	Foot, Front (2)
6	132848	Screw, Ground (10-24 x 1)
7	356138	Clamp, Hose
8	386566	Cable Tie

# BRAKE, CLUTCH, GEARCASE, MOTOR AND PUMP PARTS

For Model: LA5300XPW4

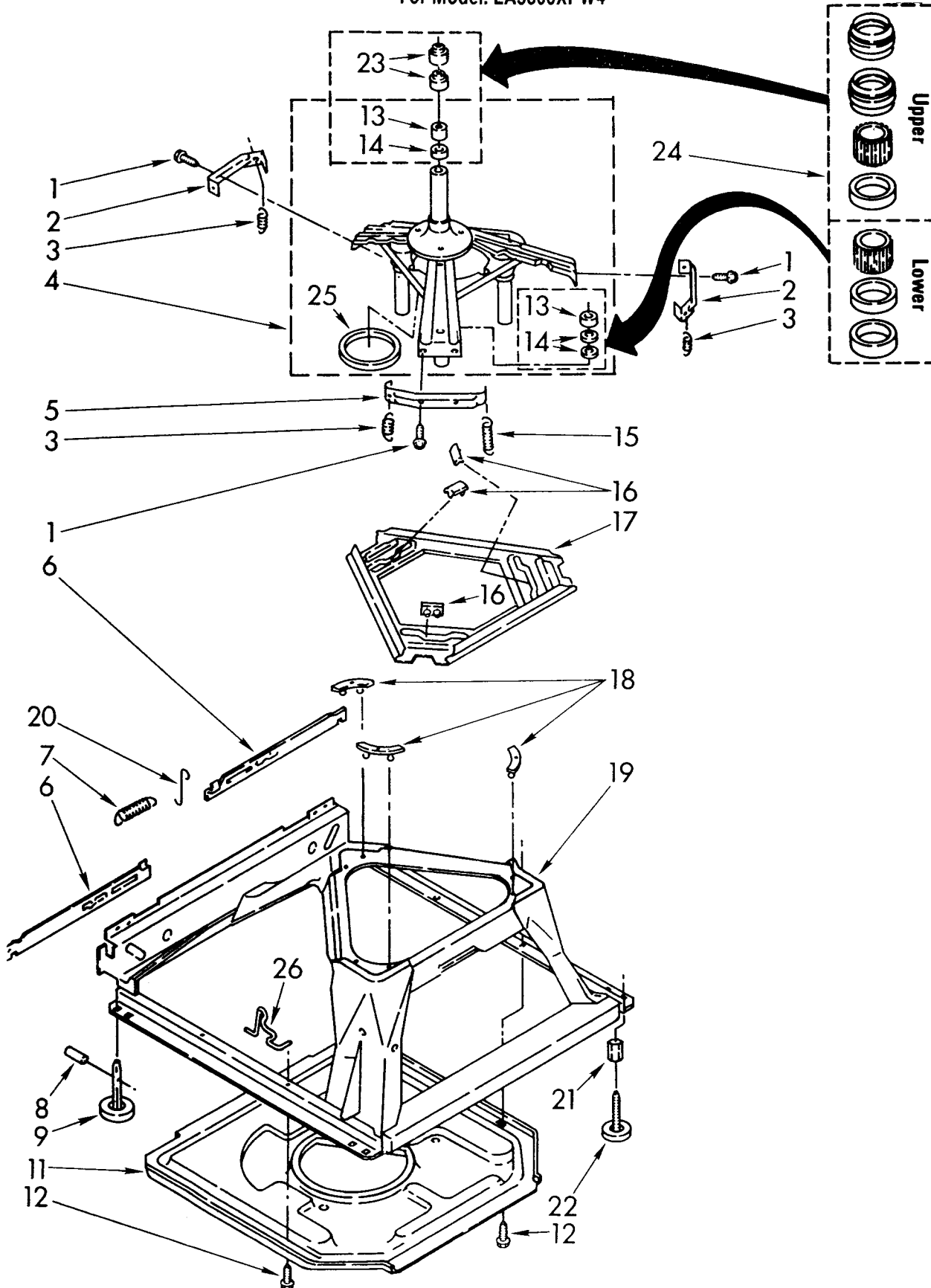


FOR ORDERING INFORMATION REFER TO PARTS PRICE LIST

1	64033	Brake & Drive Tube (Complete) (Refer to Page 11 For Further Breakdown)
2	63292	Washer, Spin Tube Thrust
3	62697	Ring, Spin Tube Support
4	63283	Ring, Retainer
5	63174	Clutch (Complete)
6	63175	Band & Lining, Clutch (Includes Illus. 7 & 8)
7	62646	Cap, Clutch Spring (2)
8	387712	Spring, Clutch
9	389246	Gearcase (Complete) (Refer To Page 12 For Further Breakdown)
10	62735	Screw, Gearcase To Base (3) (5/16-24 x 3/4)
11	62611	Plate, Motor Mount To Gearcase
12	62691	Grommet, Motor (4)
13	285140	Coupling, Motor & Isolation
16	98062	Screw, 5/16-24 x 5/8 (2)
17	62692	Retainer, Motor (2)
18	63209	Shield, Tub To Motor
19	62535	Motor, Main Drive
20	62850	Switch, Main Drive Motor
21	62700	Retainer, Pump (2)
22	64076	Pump (Complete)

# MACHINE BASE PARTS

For Model: LA5300XPW4



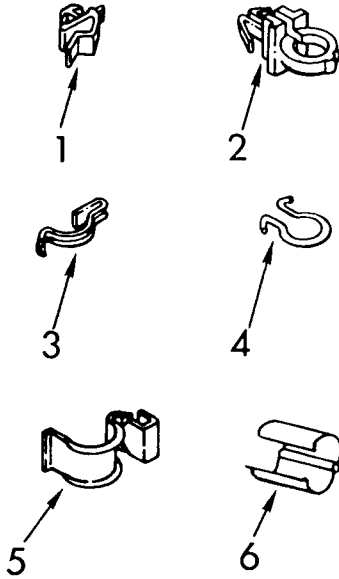
FOR ORDERING INFORMATION REFER TO PARTS PRICE LIST

1	98610	Screw, Bracket Mounting (10-16 x 5/8) (6)
2	64067	Bracket, Spring Outer (2)
3	63907	Spring Suspension,(3)
4	389350	Support & Brake, Tub
5	64065	Bracket, Spring Outer (L.F.)
6	63466	Link, Leveling Mechanism (2)
7	62597	Spring, Leveling Mechanism
8	62837	Pin, Knurled
9	62596	Foot, Rear (2)
11	63465	Pan, Bottom
12	62863	Screw, 10-16 x 3/8 (2)
13	3347047	Bearing, Centerpost (2)
14	357409	Seal, Centerpost (3)
15	62738	Spring, Counterweight
16	62568	Pad, Plate
17	389299	Plate, Suspension (Includes Illus. 16)
18	62602	Pad, Base
19	389149	Base Assembly (Includes Illus, 6, 7, 8, 9, 18 & 26)
20	63207	Retainer, Counterweight Spring
21	62739	Nut, Lock (3/8-16) (2)
22	386047	Foot, Front (2)
23	356934	Seal, Centerpost (2)
24	285203	Centerpost Bearing Kit (Includes Illus. 13, 14 & 23)
25	63134	Ring, Sound Deadening
26	63806	Retainer, Suspension Spring

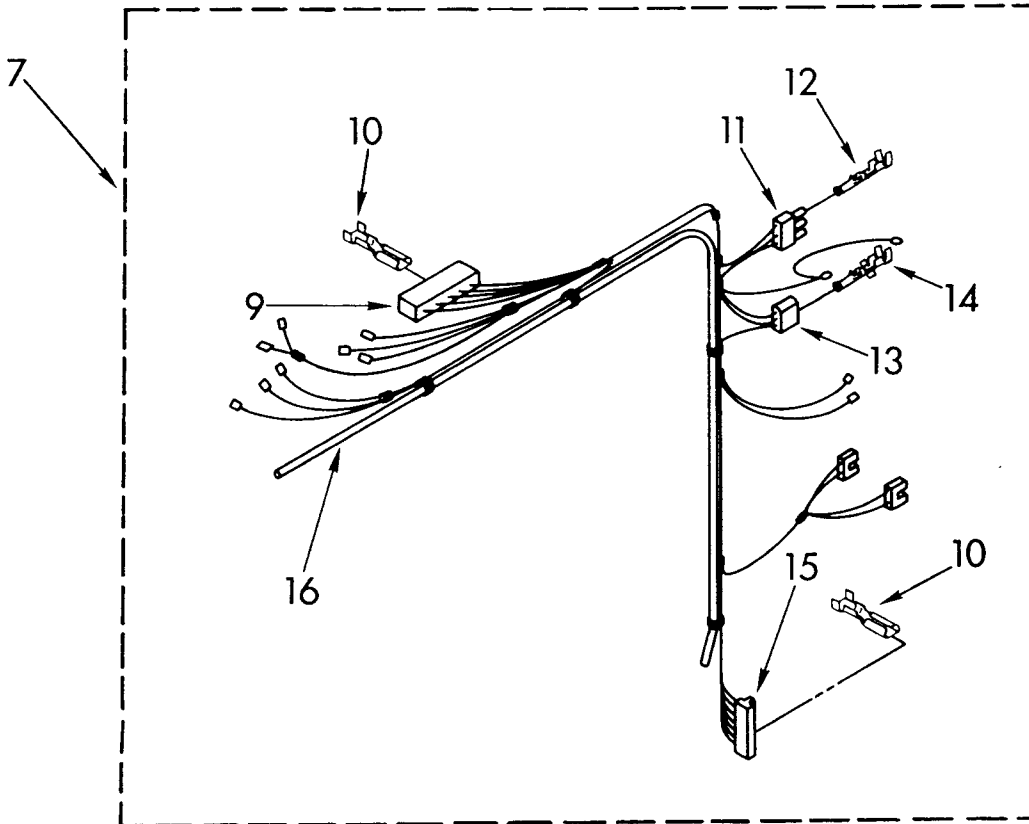
# WIRING HARNESS PARTS

For Model: LA5300XPW4

## RETAINER CLIPS



## WIRING HARNESS



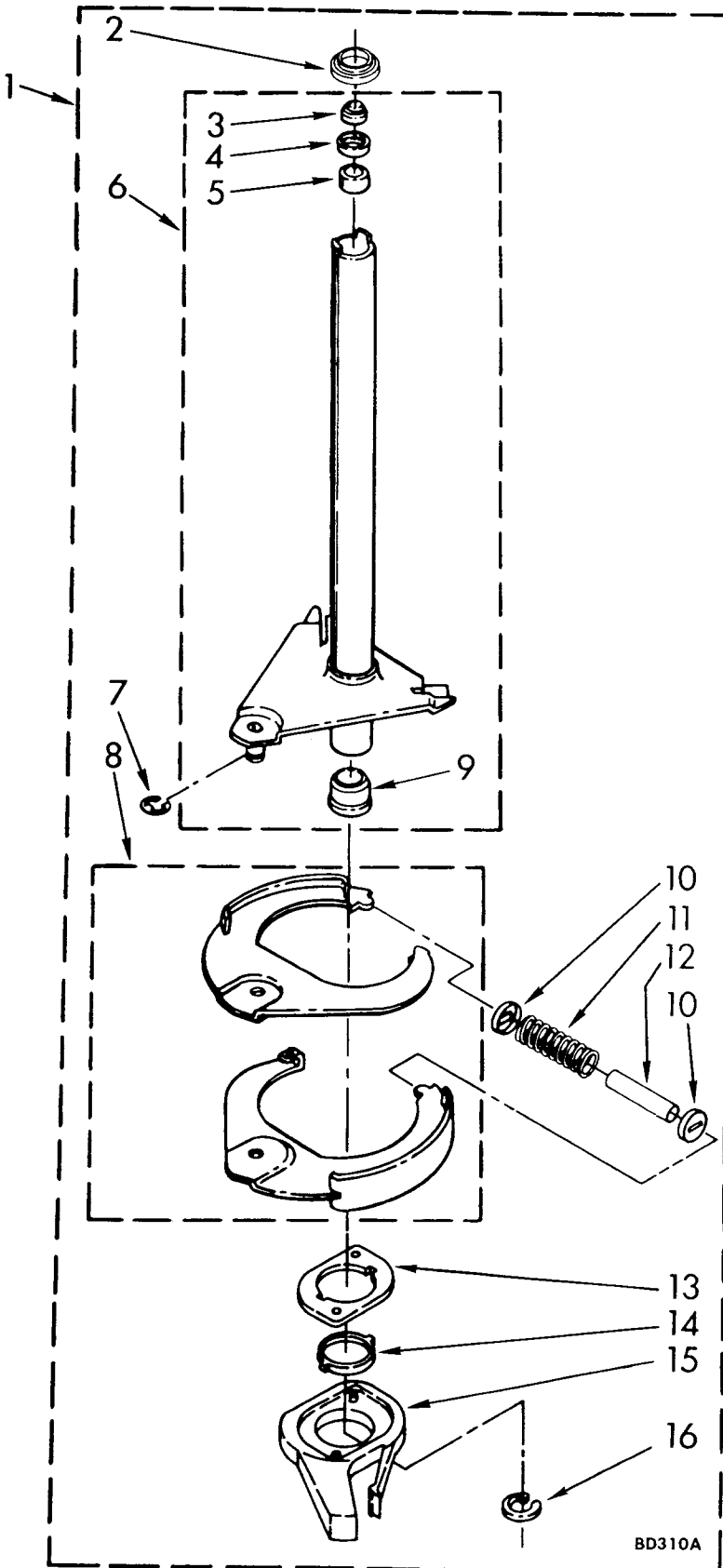
FOR ORDERING INFORMATION REFER TO PARTS PRICE LIST

1	62732	Clip, Harness
2	62749	Clip, Harness
3	98997	Clip, Harness
4	387551	Clip, Harness (3)
5	90016	Clip, Harness
6	63523	Protector, Harness
7	3347102	Wiring Harness & Pressure Switch Hose
9	352089	Block, Disconnect (Black) (Timer)
10	352088	Terminal, Female
11	62889	Receptacle, Terminal (3-Way) (Lid Switch)
12	94614	Terminal, Female
13	353424	Plug, Terminal (3-Way) (Power Cord)
14	94613	Terminal, Male
15	62505	Block, Disconnect (Motor)
16	386757	Hose, Pressure Switch



# BRAKE AND DRIVE TUBE PARTS

For Model: LA5300XPW4



FOR ORDERING INFORMATION REFER TO PARTS PRICE LIST

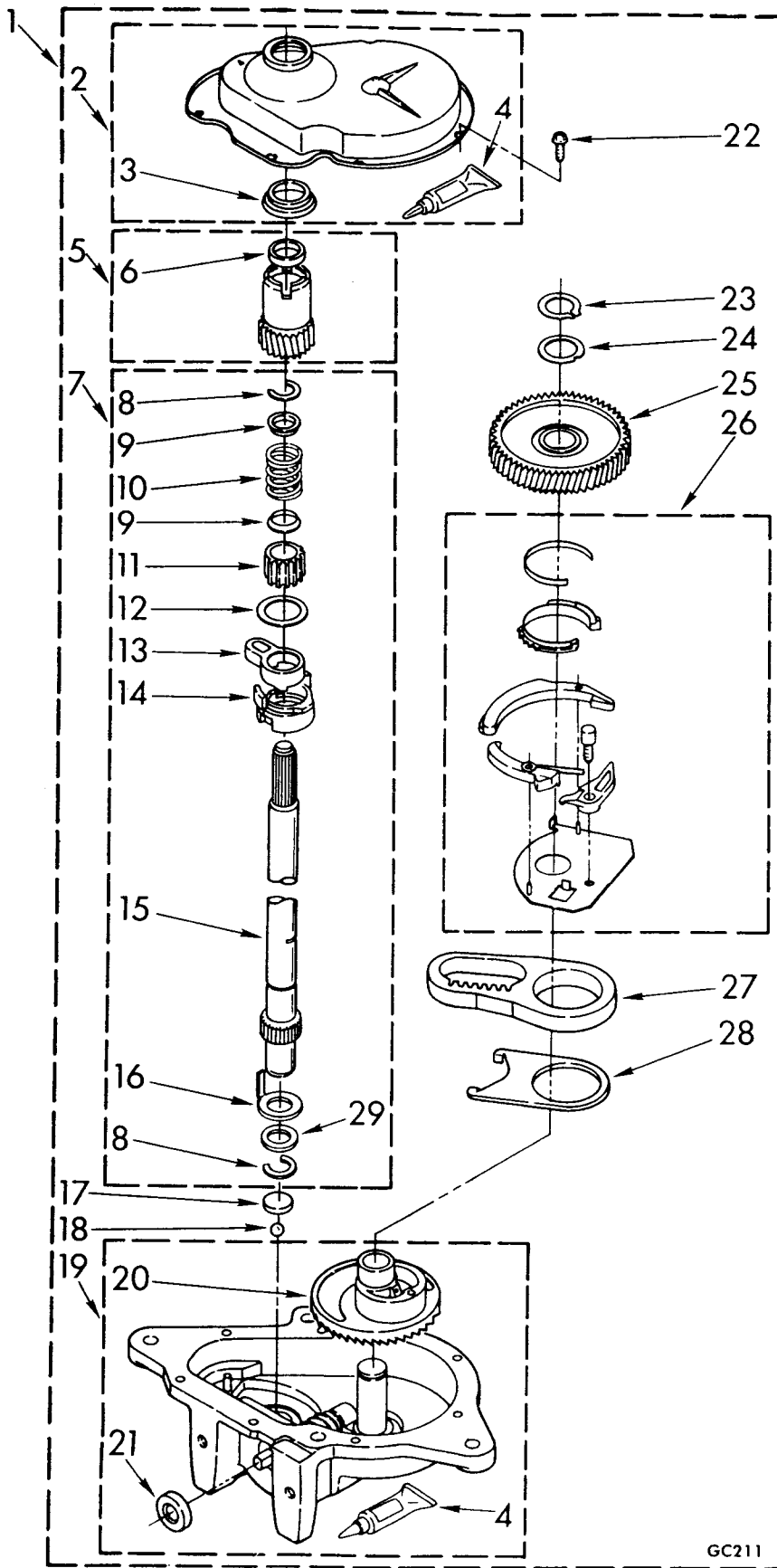
1	64033	Brake & Drive Tube (Complete)
2	62658	Ring, Thrust
3	91939	Seal, Oil
4	356427	Seal, Drive Tube
5	356937	Spacer, Drive Tube
6	64027	Tube, Basket Drive (Includes Illus. 3, 4, 5 & 9)
7	64035	Ring, Retaining
8	64232	Brake Shoe
9	62703	``T'' Bearing, Spin Tube
10	62648	Cap, Brake Spring (2)
11	62647	Spring, Brake
12	62909	Sleeve, Brake Spring
13	63023	Cam, Brake Release
14	63022	Sleeve, Cam
15	63047	Driver, Brake Cam
16	90368	Ring, Retaining

Following Parts Not Illustrated

285208	Lubricant (Use Only In Brake Shoe Assembly On Roller & Pin)
--------	---

# GEARCASE PARTS

For Model: LA5300XPW4



GC211

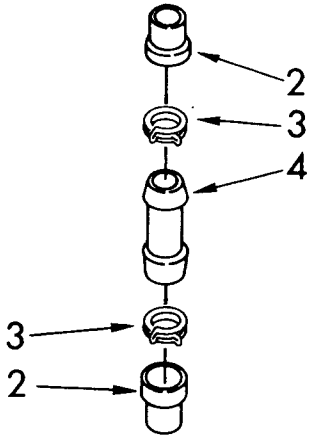
FOR ORDERING INFORMATION REFER TO PARTS PRICE LIST

1	389246	Gearcase (Complete)
2	62685	Cover, Gearcase
3	62787	Seal, Gearcase Cover
4	285195	Sealer, Gasket (.20 Fl. Oz.) (6ml)
5	63320	Pinion, Spin (Includes Illus. 25)
6	356427	Seal, Spin Pinion
7	389243	Shaft, Agitator (Complete)
8	90369	Ring, Retaining (2)
9	62677	Retainer, Spring (2)
10	62676	Spring, Agitate
11	62533	Gear, Agitate
12	62619	Washer, Agitate Gear
13	62580	Cam Follower
14	62581	Cam, Agitate
15	389240	Shaft, Agitator
16	62618	Washer, Cam Thrust
17	16018	Bearing, Thrust
18	85529	Ball, Bearing
19	389229	Bottom and Pinion Gearcase
20	62528	Gear, Main Drive
21	285352	Seal, Thrust Plug
22	90864	screw, Gearcase Cover Mounting (8) (8) (10-24 x 3/8)
23	95082	Ring, Retaining
24	285292	Washer Kit, Thrust
25	62570	Gear, Spin
26	388253	Neutral Assembly
27	62534	Rack, Connecting
28	62621	Actuator, Shift
29	388815	Washer, Intermediate

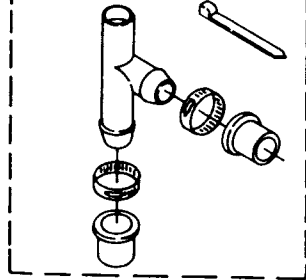
# WATER SYSTEM PARTS

For Model: LA5300XPW4

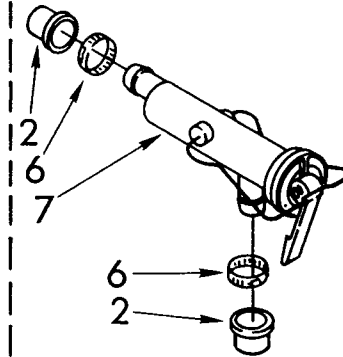
Order The Following Parts  
To Splice Plastic Drain Hose  
(Not Included)



Siphon Break Kit  
(Not Included)



Drain Protector  
(Not Included)



WS-400

1	285442	Connector Kit, Plastic Drain Gose
2	285321	Sleeve Kit, (Contains 2 Sleeves)
3	370447	Clamp, Hose
4	16272	Connector, Straight
5	285320	Siphon Break Kit (Not Included)
6	65349	Clamp, Hose
7	367031	Drain Protector (Not Included)