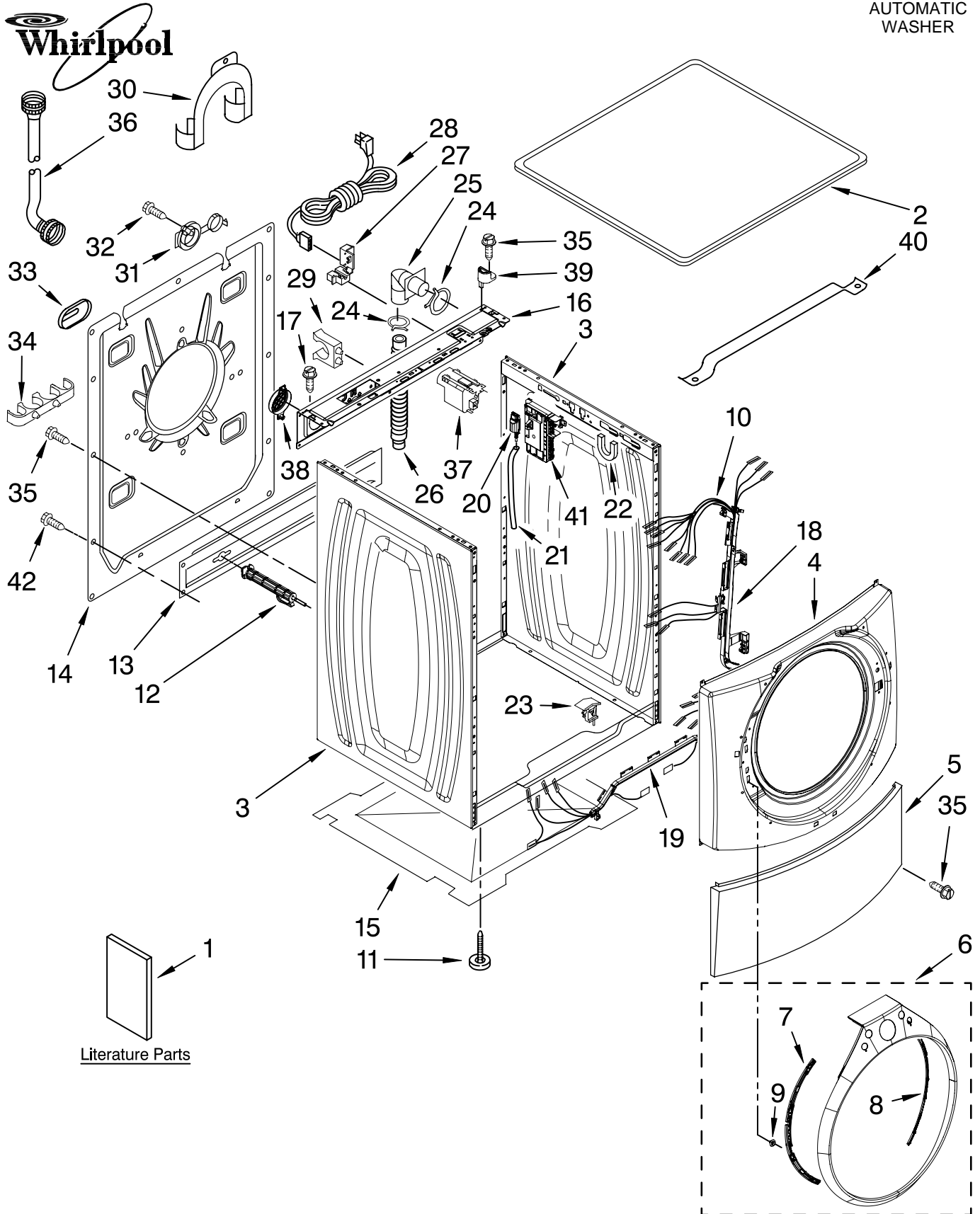


TOP AND CABINET PARTS

For Models: WFW9600TW00, WFW9600TB00, WFW9600TZ00, WFW9600TU00, WFW9600TA00, WFW9600TC00
 (White/Chrome) (Black/Chrome) (White/Blue) (Ultimate Silver) (Aspen/Chrome) (Chestnut/Gold)

AUTOMATIC
 WASHER



FOR ORDERING INFORMATION REFER TO PARTS PRICE LIST

TOP AND CABINET PARTS

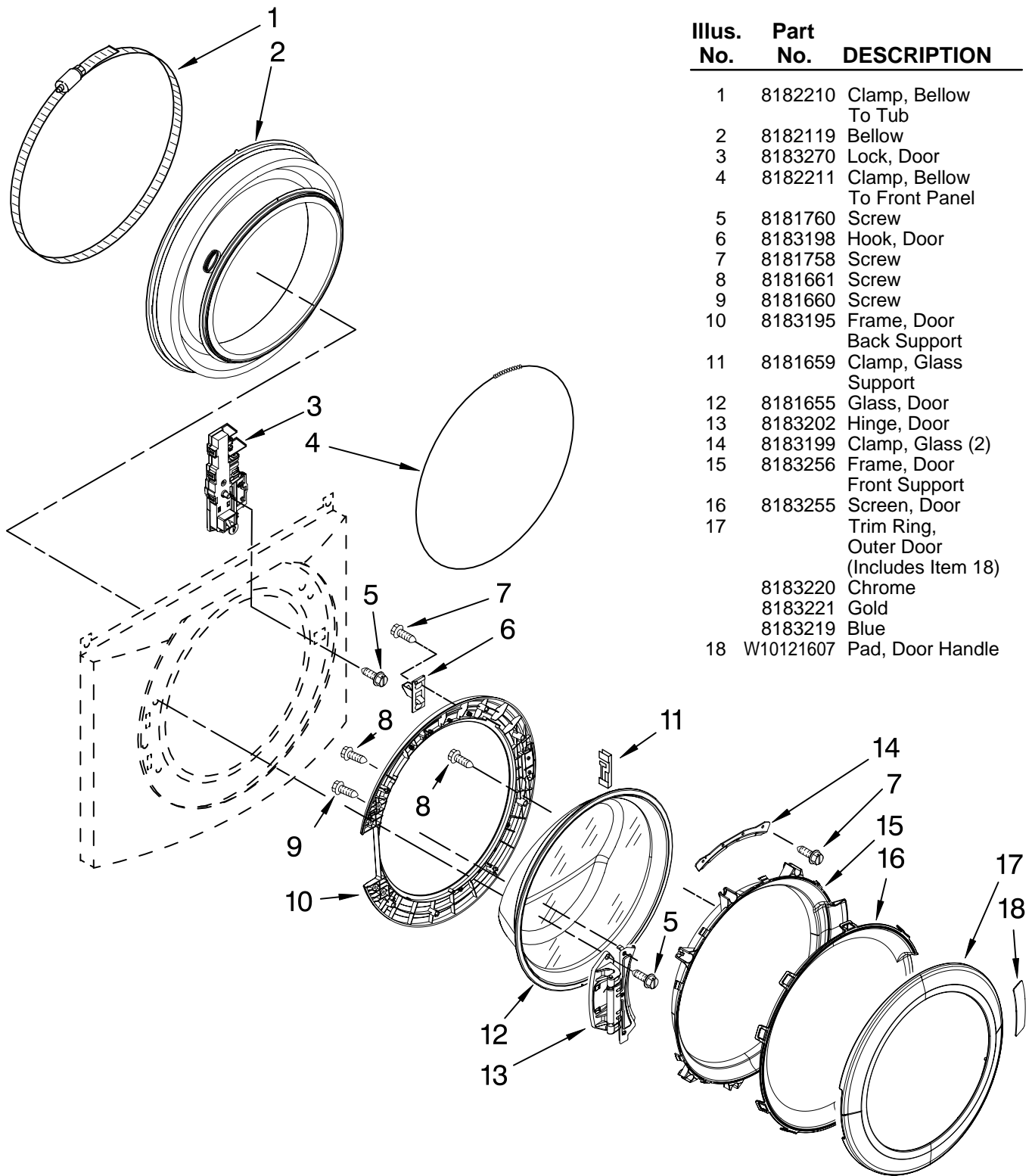
For Models: WFW9600TW00, WFW9600TB00, WFW9600TZ00, WFW9600TU00, WFW9600TA00, WFW9600TC00
(White/Chrome) (Black/Chrome) (White/Blue) (Ultimate Silver) (Aspen/Chrome) (Chestnut/Gold)

Illus. No.	Part No.	DESCRIPTION	Illus. No.	Part No.	DESCRIPTION	Illus. No.	Part No.	DESCRIPTION
1		Literature Parts	6		Trim Ring, Teardrop Assembly	21	8181739	Hose, Pressure Switch
	W10133484	Use & Care Guide		W10160030	White	22	8181763	Bracket, Spring
	W10133490	Tech Sheet		W10160021	Black	23	8183086	Microswitch (4)
	W10133489	Quick Start Guide		W10160025	Blue	24	8181752	Clamp, Hose
	W10162665	Energy Guide		W10160023	Ultimate Silver	25	8181738	Connector, Drain Hose
2		Top		W10160019	Aspen	26	8181737	Hose, Drain (Outer)
	8181799	White		W10160020	Chestnut	27	8181690	Strain Relief
	8183061	Black	7	8183208	Bracket, Trim Fixation (Left)	28	8183009	Cord, Power
	W10121849	Ultimate Silver				29	8182702	Clip, Outer Hose Holder
	W10166922	Aspen	8	8183209	Bracket, Trim Fixation (Right)	30	8181768	Storage, Hose
	W10166926	Chestnut Cabinet				31	8182699	Sleeve, Cord Support (2)
3			9	8183210	Clip, Trim	32	8182201	Screw, 3 x 8 mm
	8183144	White	10	W10157914	Harness, Wiring (Lower Main) (Includes Items 18 & 19)	33	8182700	Cover, Transport
	8183212	Black				34	8182701	Clip, Outer Hose Holder
	8183214	Ultimate Silver				35	8181828	Screw
	W10166923	Aspen	11	8181636	Foot, Leveling	36		Hose, Water Inlet
	W10166960	Chestnut Panel, Front	12		Bolt, Shipping		8182795	Blue Coupler
4				8182797	Upper		8182792	Red Coupler
	8183151	White		8182798	Lower	37	8183019	Filter, Interference
	8183215	Black	13	8182661	Brace, Transport	38	8183030	Grid, Ventilation
	8183217	Ultimate Silver	14	8182698	Panel, Rear	39	W10138249	Spacer, Top (2)
	W10166920	Aspen	15	8181635	Pan, Bottom	40	8181632	Brace, Top
	W10166924	Chestnut	16	W10138248	Brace, Rear	41	W10156258	Control Board, Expansion
5		Toe Panel	17	8181756	Screw	42	W10157885	Screw, 4.2 x 14
	8181643	White	18	W10121609	Channel, Harness (Side)			
	8183063	Black	19	W10121610	Channel, Harness (Bottom)			
	8183055	Ultimate Silver	20	W10156252	Switch, Analog Pressure Sensor			
	W10166921	Aspen						
	W10166925	Chestnut						

FOR ORDERING INFORMATION REFER TO PARTS PRICE LIST

DOOR AND LATCH PARTS

For Models: WFW9600TW00, WFW9600TB00, WFW9600TZ00, WFW9600TU00, WFW9600TA00, WFW9600TC00
 (White/Chrome) (Black/Chrome) (White/Blue) (Ultimate Silver) (Aspen/Chrome) (Chestnut/Gold)

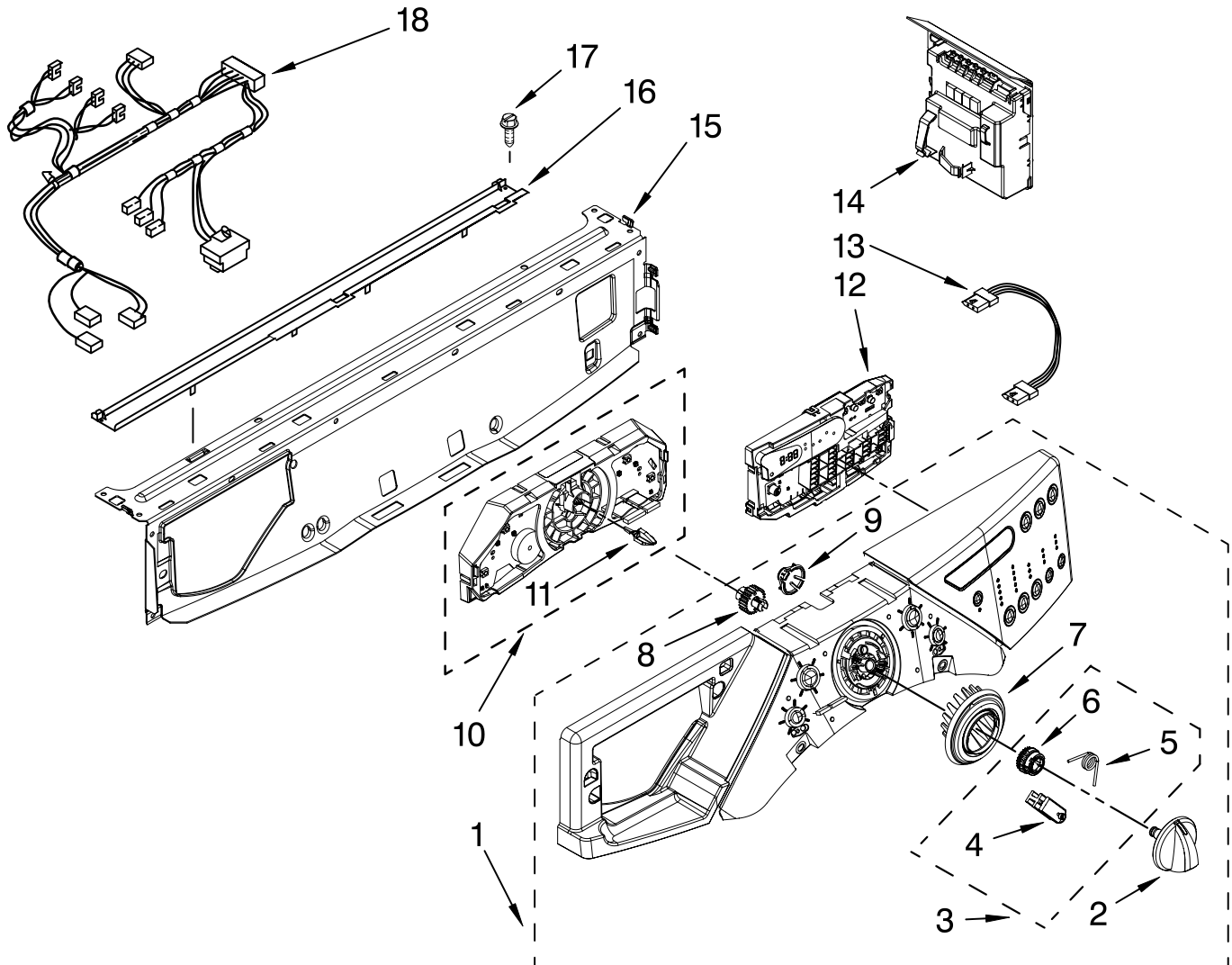


Illus. No.	Part No.	DESCRIPTION
1	8182210	Clamp, Bellow To Tub
2	8182119	Bellow
3	8183270	Lock, Door
4	8182211	Clamp, Bellow To Front Panel
5	8181760	Screw
6	8183198	Hook, Door
7	8181758	Screw
8	8181661	Screw
9	8181660	Screw
10	8183195	Frame, Door Back Support
11	8181659	Clamp, Glass Support
12	8181655	Glass, Door
13	8183202	Hinge, Door
14	8183199	Clamp, Glass (2)
15	8183256	Frame, Door Front Support
16	8183255	Screen, Door
17		Trim Ring, Outer Door (Includes Item 18)
	8183220	Chrome
	8183221	Gold
	8183219	Blue
18	W10121607	Pad, Door Handle

FOR ORDERING INFORMATION REFER TO PARTS PRICE LIST

CONTROL PANEL PARTS

For Models: WFW9600TW00, WFW9600TB00, WFW9600TZ00, WFW9600TU00, WFW9600TA00, WFW9600TC00
(White/Chrome) (Black/Chrome) (White/Blue) (Ultimate Silver) (Aspen/Chrome) (Chestnut/Gold)

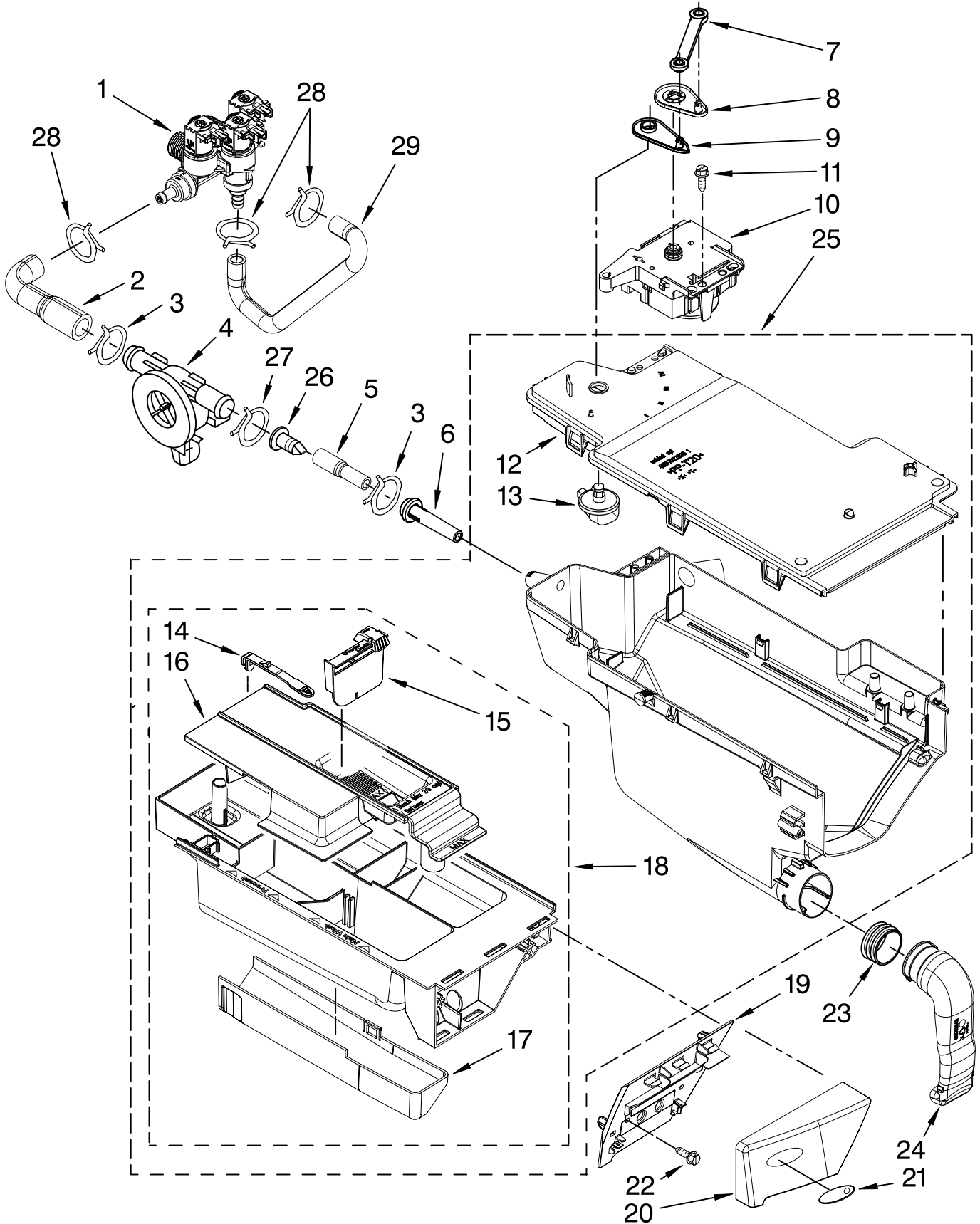


Illus. No.	Part No.	DESCRIPTION	Illus. No.	Part No.	DESCRIPTION	Illus. No.	Part No.	DESCRIPTION
1	W10157776	Panel, Control White	3	W10133927	Wheel, Detent Kit (Includes Item 9)	10	W10164402	User Interface, Center
	W10157777	Black	4	W10131661	Wheel, Rast (2) (Service In Kit Only)	11	8183177	Adapter, Encoder Wheel
	W10157799	White/Blue	5	W10131377	Spring, Knob (2) (Service In Kit Only)	12	W10157890	User Interface, Right
	W10157800	Ultimate Silver	6	W10131378	Wheel, Detent (Service In Kit Only)	13	W10157884	Harness, Wiring (User Interface)
	W10157801	Aspen	7	W10131376	Ring, Knob Light (Includes Item 9)	14	W10157913	Microcomputer, Machine Control
	W10157802	Chestnut	8	W10131381	Wheel, Encoder	15	8183203	Brace, Front Top
2	W10131369	Knob, Control (Includes Item 9) White	9	W10131382	Retainer, Snap	16	8183204	Channel, Water
	W10131370	Black				17	8181756	Screw
	W10131373	Blue				18	W10157883	Harness, Wiring (Upper Main)
	W10131371	Ultimate Silver						
	W10166961	Aspen						
	W10166990	Chestnut						

FOR ORDERING INFORMATION REFER TO PARTS PRICE LIST

DISPENSER PARTS

For Models: WFW9600TW00, WFW9600TB00, WFW9600TZ00, WFW9600TU00, WFW9600TA00, WFW9600TC00
(White/Chrome) (Black/Chrome) (White/Blue) (Ultimate Silver) (Aspen/Chrome) (Chestnut/Gold)



FOR ORDERING INFORMATION REFER TO PARTS PRICE LIST

DISPENSER PARTS

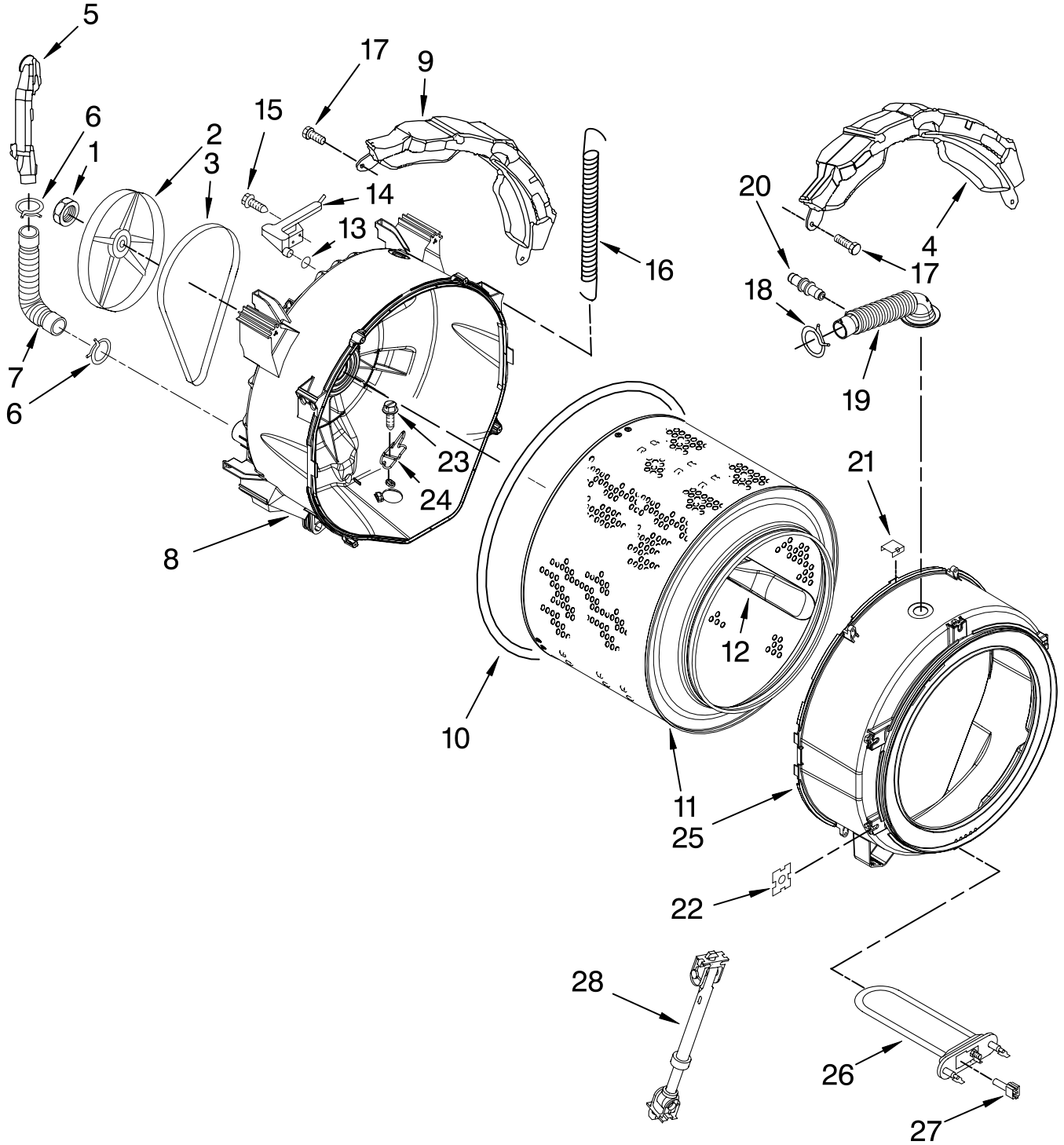
For Models: WFW9600TW00, WFW9600TB00, WFW9600TZ00, WFW9600TU00, WFW9600TA00, WFW9600TC00
(White/Chrome) (Black/Chrome) (White/Blue) (Ultimate Silver) (Aspen/Chrome) (Chestnut/Gold)

Illus. No.	Part No.	DESCRIPTION
1	W10156253	Valve, Inlet
2	8183182	Hose, Flowmeter (L-Shaped)
3	8181751	Clamp
4	8181696	Flowmeter
5	W10156255	Hose, Duckbill/ Inlet Nozzle
6	8183181	Nozzle, Inlet
7	8183183	Lever, Water Distribution
8	8183184	Cam, Actuator
9	W10161052	Lever, Connection
10	8183186	Actuator
11	8181661	Screw, Actuator
12	W10164400	Plate, Distribution
13	8181712	Nozzle, Distribution
14	8181721	Hook, Drawer
15	W10121596	Separator, With Selection Slider
16	W10157775	Siphon, Bleach/Softener
17	8183179	Cover, Detergent Drawer
18	W10157760	Drawer, Detergent (Complete)
19	W10156617	Bracket, Handle Fixation
20		Handle, Drawer (Includes Items 19 & 21)
	W10156618	White
	W10156619	Black
	W10156620	Ultimate Silver
	W10156621	Aspen
	W10156622	Chestnut
21	8183253	Medallion
22	8182214	Screw
23	8181747	Seal
24	8181718	Tube, Dispenser To Bellow
25	W10157759	Dispenser, Complete (Includes Item 9)
26	W10156256	Check Valve, Duckbill
27	W10156064	Clamp, Hose
28	8181754	Clamp, Hose
29	W10156130	Hose, Inlet Valve To Steamer Siphon

FOR ORDERING INFORMATION REFER TO PARTS PRICE LIST

TUB AND BASKET PARTS

For Models: WFW9600TW00, WFW9600TB00, WFW9600TZ00, WFW9600TU00, WFW9600TA00, WFW9600TC00
(White/Chrome) (Black/Chrome) (White/Blue) (Ultimate Silver) (Aspen/Chrome) (Chestnut/Gold)



FOR ORDERING INFORMATION REFER TO PARTS PRICE LIST

TUB AND BASKET PARTS

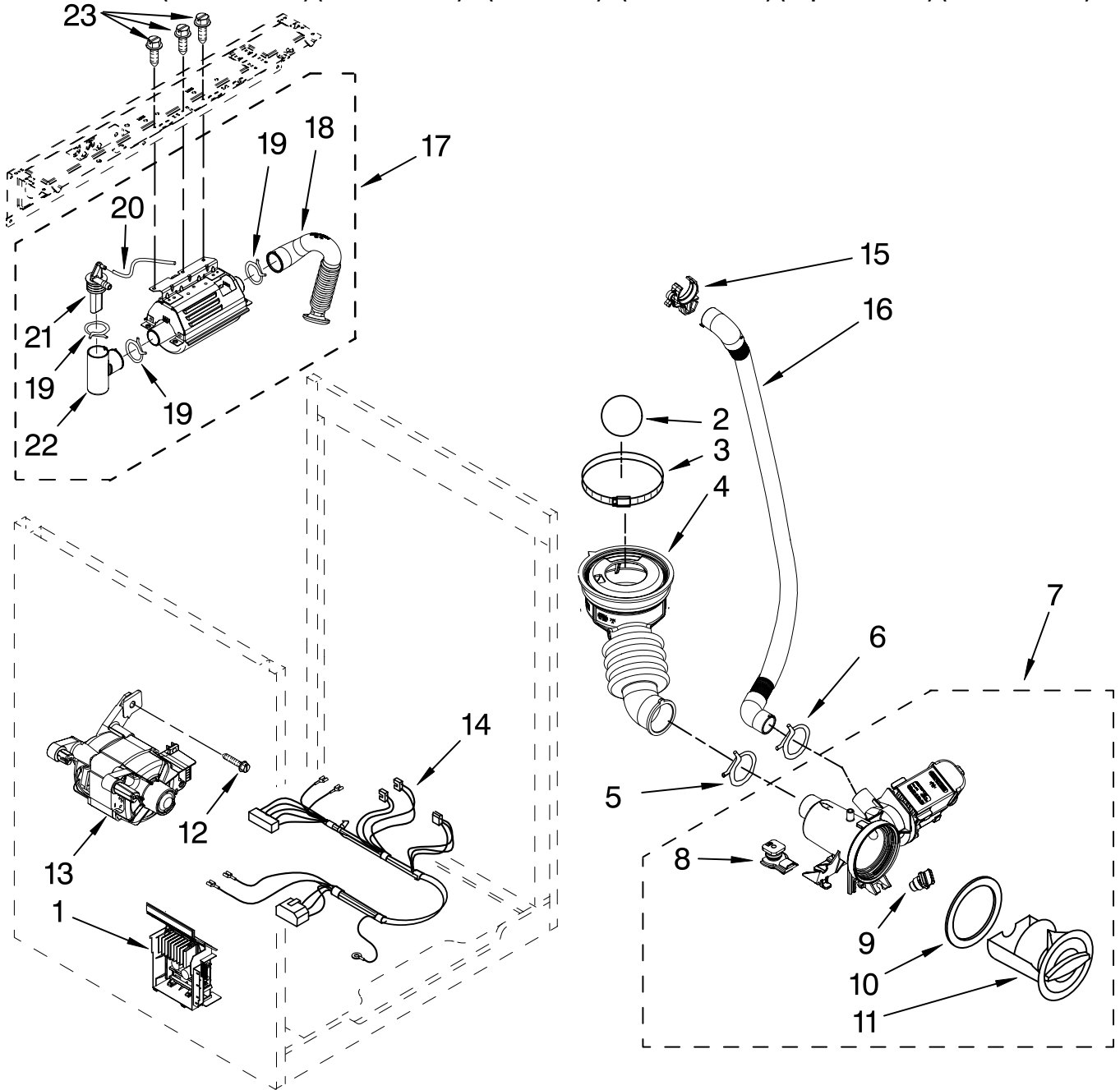
For Models: WFW9600TW00, WFW9600TB00, WFW9600TZ00, WFW9600TU00, WFW9600TA00, WFW9600TC00
(White/Chrome) (Black/Chrome) (White/Blue) (Ultimate Silver) (Aspen/Chrome) (Chestnut/Gold)

Illus. No.	Part No.	DESCRIPTION
1	8181672	Nut, Pulley
2	8182650	Pulley
3	8183269	Belt
4	8181645	Counterweight, Front (2)
5	8181744	Pipe, Ventilation
6	8181746	Clamp
7	8181743	Hose, Exhaust
8	W10157908	Tub, Rear (Includes Items 10, 22, 23 & 24)
9	8181644	Counterweight, Rear
10	8181673	Gasket, Tub
11	8182247	Basket
12	8182233	Baffle, Tub
13	8181748	O-Ring
14	8181731	Airtrap
15	8181785	Screw
16	8182814	Spring, Suspension
17	8181647	Bolt
18	8181742	Clamp, Hose
19	W10156130	Hose, Exhaust
20	W10156249	Connector, Overflow Hose
21	8181667	Clamp, Tub
22	8182512	Nut, Push-In
23	8182214	Screw
24	8181686	Clamp, Heating Element
25	8182312	Tub, Front (Includes Items 10 & 22)
26	8182666	Element, Heating
27	8181705	NTC
28	8182812	Shock Absorber

FOR ORDERING INFORMATION REFER TO PARTS PRICE LIST

STEAMER, PUMP AND MOTOR PARTS

For Models: WFW9600TW00, WFW9600TB00, WFW9600TZ00, WFW9600TU00, WFW9600TA00, WFW9600TC00
(White/Chrome) (Black/Chrome) (White/Blue) (Ultimate Silver) (Aspen/Chrome) (Chestnut/Gold)



Illus. No.	Part No.	DESCRIPTION
1	8183196	Motor Control Unit
2	W10121657	Ball
3	8181734	Clamp
4	8181732	Hose, Tub to Pump
5	8181753	Clamp
6	8181752	Clamp
7	8182821	Pump (Complete)
8	8182820	Grommet, Damper (Rear)

Illus. No.	Part No.	DESCRIPTION
9	8182816	Grommet, Damper (Front)
10	8181736	Seal, Filter Cap
11	8183027	Cap, Filter
12	W10128585	Bolt, Motor
13	8182793	Motor
14	W10157915	Harness, Motor
15	8182209	Retainer, Drain Hose
16	8181740	Drain Hose (Inner)

Illus. No.	Part No.	DESCRIPTION
17	W10157910	Steamer, Complete Assembly (Includes Item 20 On Page 7)
18	W10156132	Hose, Steamer/Tub
19	W10156063	Clamp, Hose (3)
20	W10156133	Hose, Overflow
21	W10156250	Cap, Siphon
22	W10156251	Tank, Siphon
23	8181828	Screw, 4.2 x 11

FOR ORDERING INFORMATION REFER TO PARTS PRICE LIST

OPTIONAL PARTS (NOT INCLUDED)

For Models: WFW9600TW00, WFW9600TB00, WFW9600TZ00, WFW9600TU00, WFW9600TA00, WFW9600TC00
(White/Chrome) (Black/Chrome) (White/Blue) (Ultimate Silver) (Aspen/Chrome) (Chestnut/Gold)

Illus.	Part	
No.	No.	DESCRIPTION

PAINT, TOUCH-UP (1/2oz.)

	72017	White
	72032	Black
	8212605	Ultimate Silver
	W10157756	Aspen
	W10162090	Chestnut

PAINT, PRESSURIZED SPRAY (12 oz.)

	350938	Primer, Gray
	350930	White
	285006	Black
	4392901	Biscuit

PAINT, BULK (1 qt.)

	799344	White (Uncut)
	786032	Black (Uncut)
	4392900	Biscuit (Uncut)

ACCESSORY PARTS

	285863	Drain Extension
	4396899	Rear Guard
	38005	Stack Kit