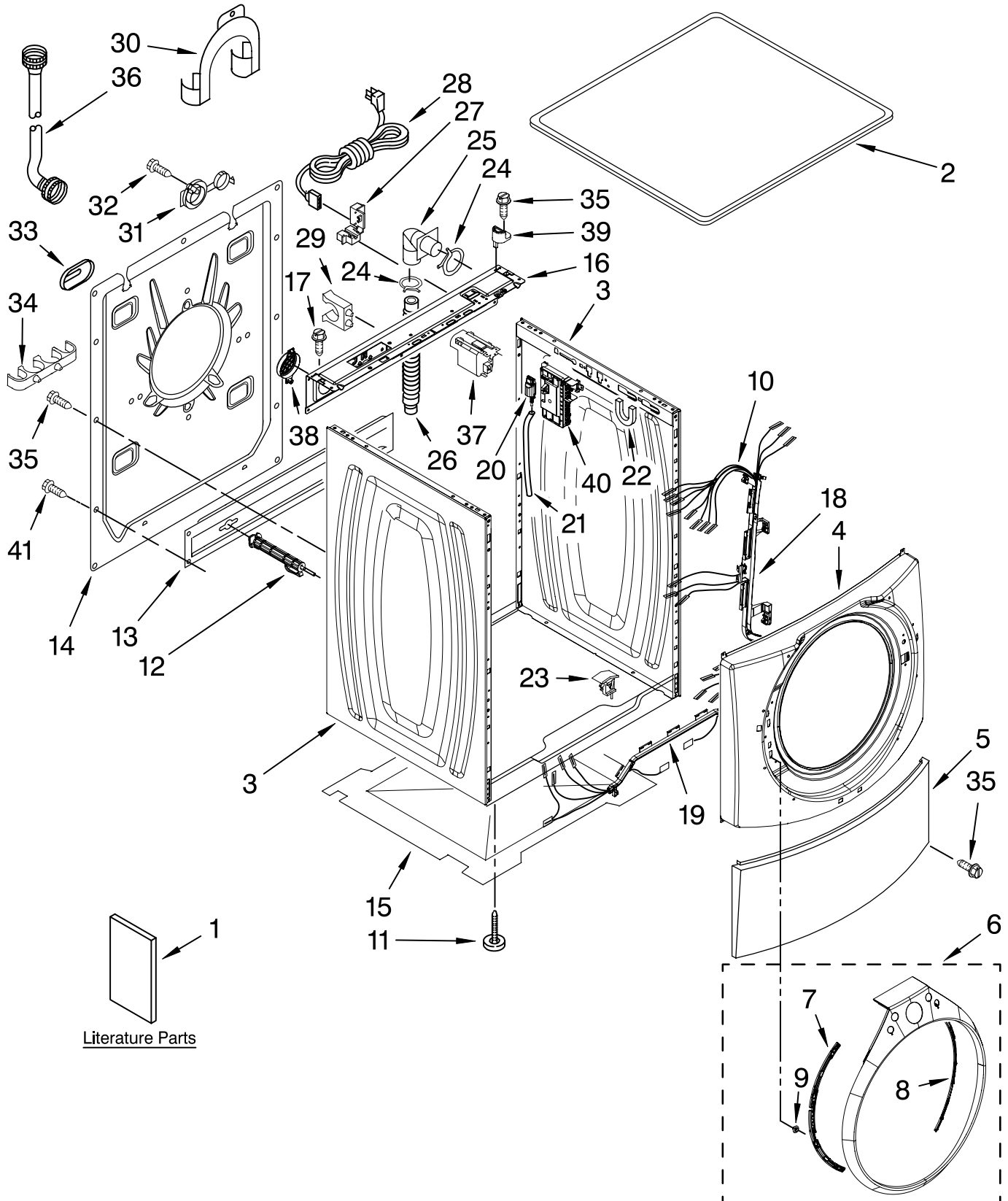




TOP AND CABINET PARTS

For Models: WFW9500TW00, WFW9500TC00
(White/Chrome) (Chestnut/Gold)

AUTOMATIC
WASHER



FOR ORDERING INFORMATION REFER TO PARTS PRICE LIST

TOP AND CABINET PARTS

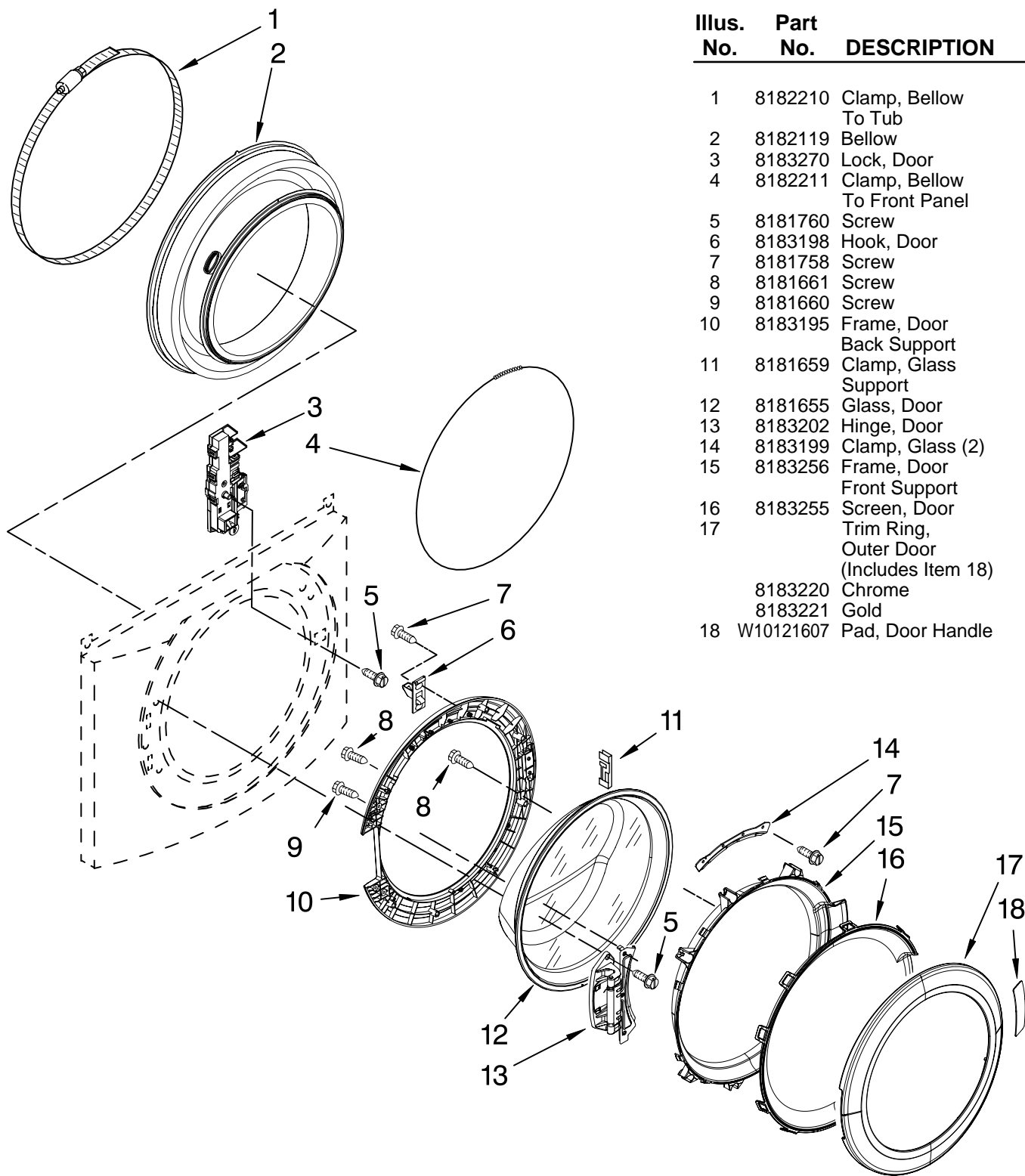
For Models: WFW9500TW00, WFW9500TC00
(White/Chrome) (Chestnut/Gold)

Illus. No.	Part No.	DESCRIPTION	Illus. No.	Part No.	DESCRIPTION	Illus. No.	Part No.	DESCRIPTION
1		Literature Parts	9	8183210	Clip, Trim	25	8181738	Connector, Drain Hose
	W10158196	Use & Care Guide	10	W10157914	Harness, Wiring (Lower Main) (Includes Items 18 & 19)	26	8181737	Hose, Drain (Outer)
	W10133490	Tech Sheet				27	8181690	Strain Relief
	W10133489	Quick Start Guide	11	8181636	Foot, Leveling	28	8183009	Cord, Power
	W10162664	Energy Guide	12		Bolt, Shipping	29	8182702	Clip, Outer Hose Holder
2		Top		8182797	Upper	30	8181768	Storage, Hose
	8181799	White		8182798	Lower	31	8182699	Sleeve, Cord Support (2)
	W10166926	Chestnut	13	8182661	Brace, Transport	32	8182201	Screw, 3 x 8 mm
3		Cabinet	14	8182698	Panel, Rear	33	8182700	Cover, Transport
	8183144	White	15	8181635	Pan, Bottom	34	8182701	Clip, Outer Hose Holder
	W10166960	Chestnut	16	W10138248	Brace, Rear	35	8181828	Screw
4		Panel, Front	17	8181756	Screw	36		Hose, Water Inlet
	8183151	White	18	W10121609	Channel, Harness (Side)		8182795	Blue Coupler
	W10166924	Chestnut	19	W10121610	Channel, Harness (Bottom)		8182792	Red Coupler
5		Toe Panel	20	W10156252	Switch, Analog Pressure Sensor	37	8183019	Filter, Interference
	8181643	White	21	8181739	Hose, Pressure Switch	38	8183030	Grid, Ventilation
	W10166925	Chestnut	22	8181763	Bracket, Spring	39	W10138249	Spacer, Top (2)
6		Trim Ring, Teardrop Assembly	23	8183086	Microswitch (4)	40	W10156258	Control Board, Expansion
	W10160029	White	24	8181752	Clamp, Hose	41	W10157885	Screw, 4.2 x 14
	W10180781	Chestnut						
7	8183208	Bracket, Trim Fixation (Left)						
8	8183209	Bracket, Trim Fixation (Right)						

FOR ORDERING INFORMATION REFER TO PARTS PRICE LIST

DOOR AND LATCH PARTS

For Models: WFW9500TW00, WFW9500TC00
(White/Chrome) (Chestnut/Gold)

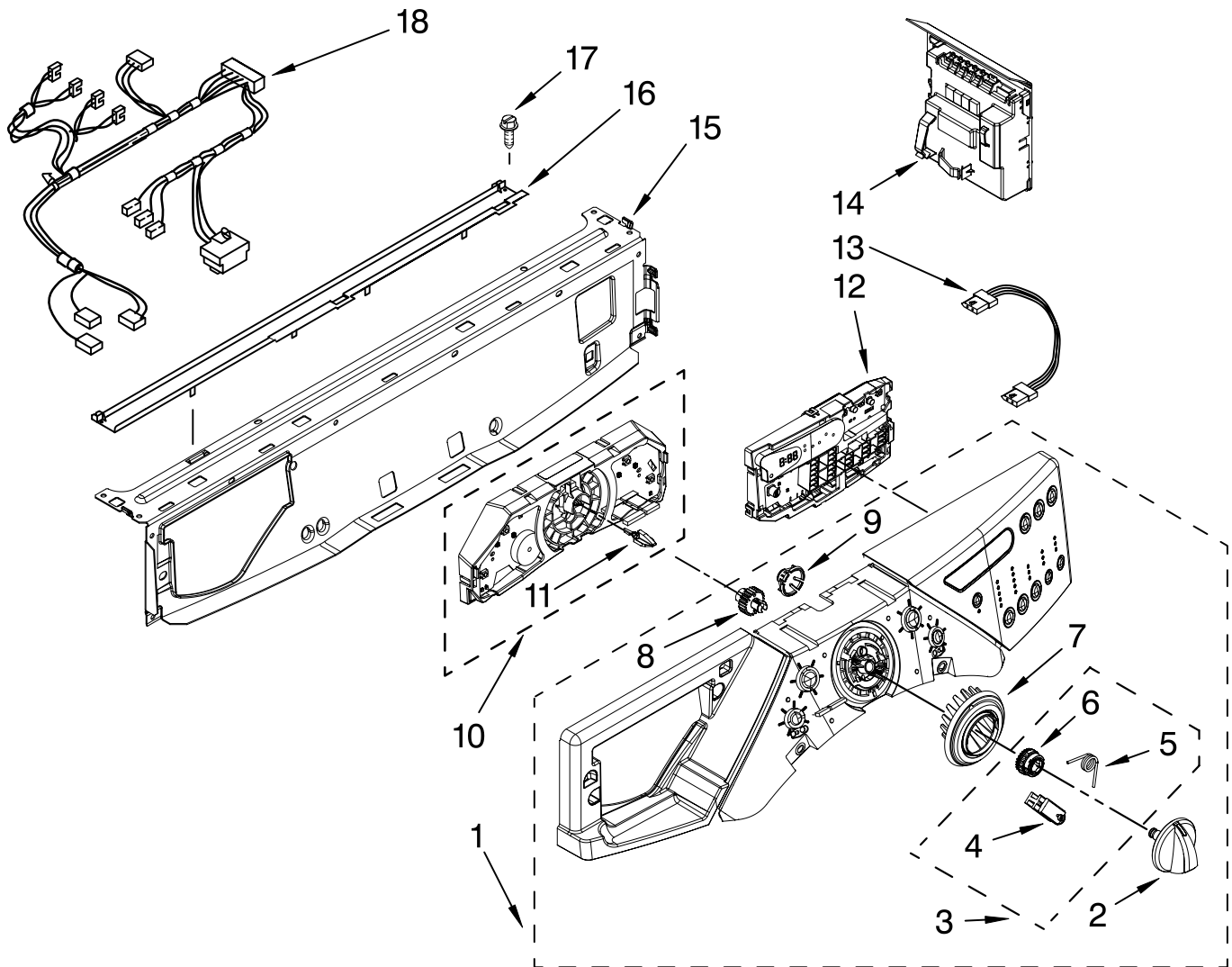


Illus. No.	Part No.	DESCRIPTION
1	8182210	Clamp, Bellow To Tub
2	8182119	Bellow
3	8183270	Lock, Door
4	8182211	Clamp, Bellow To Front Panel
5	8181760	Screw
6	8183198	Hook, Door
7	8181758	Screw
8	8181661	Screw
9	8181660	Screw
10	8183195	Frame, Door Back Support
11	8181659	Clamp, Glass Support
12	8181655	Glass, Door
13	8183202	Hinge, Door
14	8183199	Clamp, Glass (2)
15	8183256	Frame, Door Front Support
16	8183255	Screen, Door
17		Trim Ring, Outer Door (Includes Item 18)
	8183220	Chrome
	8183221	Gold
18	W10121607	Pad, Door Handle

FOR ORDERING INFORMATION REFER TO PARTS PRICE LIST

CONTROL PANEL PARTS

For Models: WFW9500TW00, WFW9500TC00
(White/Chrome) (Chestnut/Gold)



Illus. No.	Part No.	DESCRIPTION
1	W10180778	Panel, Control White
	W10180779	Chestnut
2		Knob, Control (Includes Item 9)
	W10131369	White
	W10166990	Chestnut
3	W10133927	Wheel, Detent Kit (Includes Item 9)
4	W10131661	Wheel, Rast (2) (Service In Kit Only)

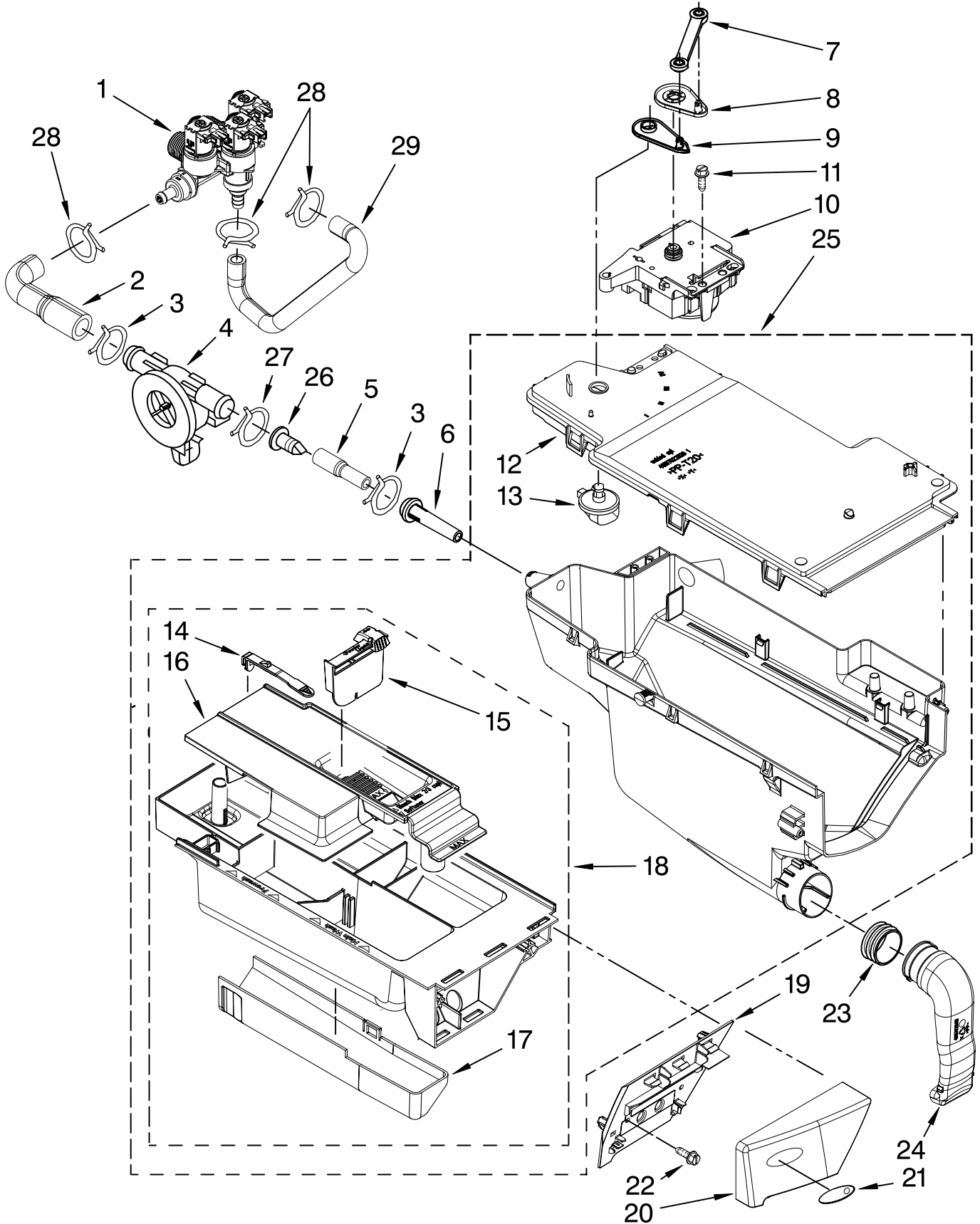
Illus. No.	Part No.	DESCRIPTION
5	W10131377	Spring, Knob (2) (Service In Kit Only)
6	W10131378	Wheel, Detent (Service In Kit Only)
7	W10131376	Ring, Knob Light (Includes Item 9)
8	W10131381	Wheel, Encoder
9	W10131382	Retainer, Snap
10	W10164402	User Interface, Center

Illus. No.	Part No.	DESCRIPTION
11	8183177	Adapter, Encoder Wheel
12	W10180777	User Interface, Right
13	W10157884	Harness, Wiring (User Interface)
14	W10180782	Microcomputer, Machine Control
15	8183203	Brace, Front Top
16	8183204	Channel, Water
17	8181756	Screw
18	W10157883	Harness, Wiring (Upper Main)

FOR ORDERING INFORMATION REFER TO PARTS PRICE LIST

DISPENSER PARTS

For Models: WFW9500TW00, WFW9500TC00
(White/Chrome) (Chestnut/Gold)



FOR ORDERING INFORMATION REFER TO PARTS PRICE LIST

DISPENSER PARTS

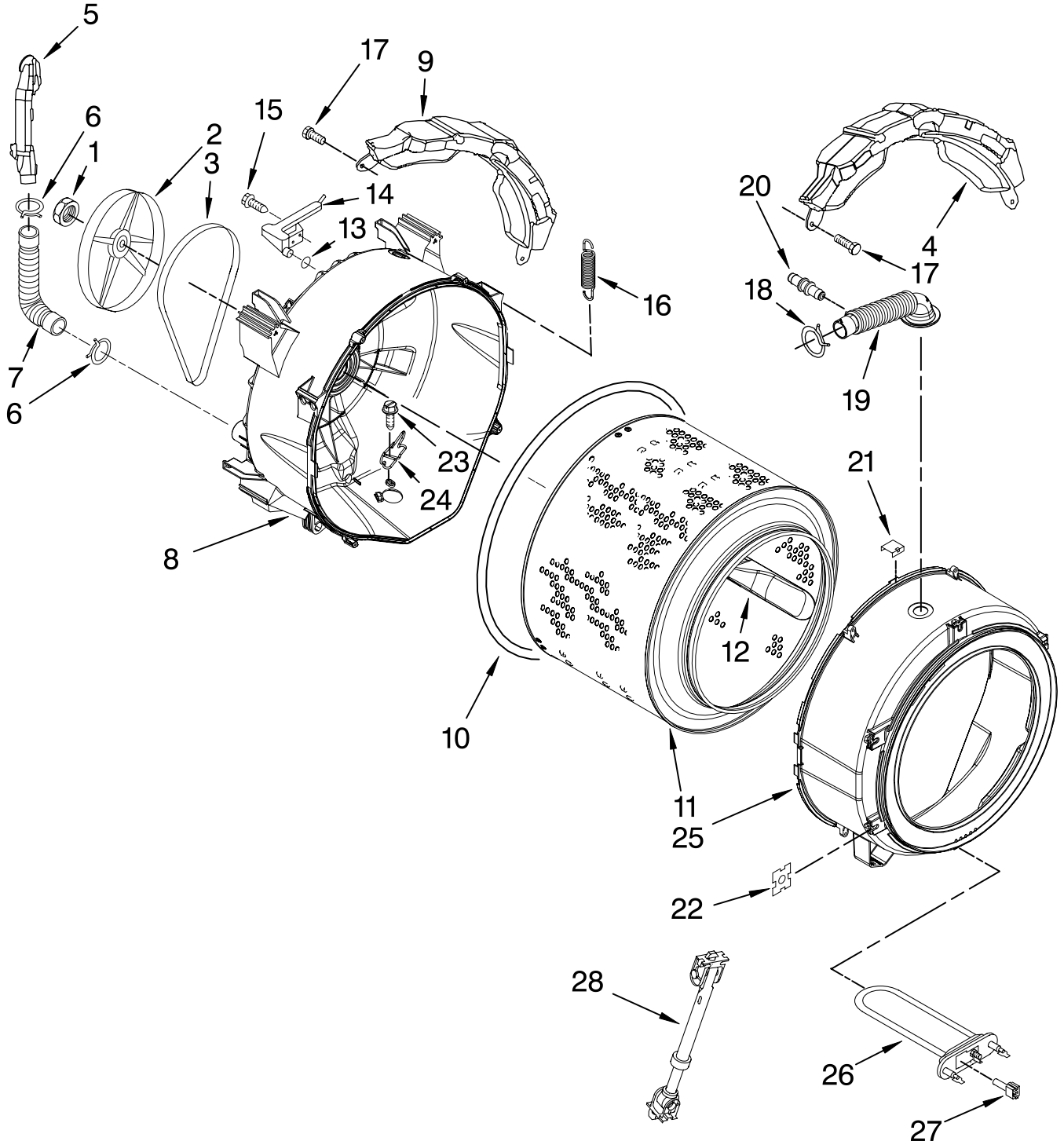
For Models: WFW9500TW00, WFW9500TC00
(White/Chrome) (Chestnut/Gold)

Illus. No.	Part No.	DESCRIPTION
1	W10156253	Valve, Inlet
2	8183182	Hose, Flowmeter (L-Shaped)
3	8181751	Clamp
4	8181696	Flowmeter
5	W10156255	Hose, Duckbill/ Inlet Nozzle
6	8183181	Nozzle, Inlet
7	8183183	Lever, Water Distribution
8	8183184	Cam, Actuator
9	W10161052	Lever, Connection
10	8183186	Actuator
11	8181661	Screw, Actuator
12	W10164400	Plate, Distribution
13	8181712	Nozzle, Distribution
14	8181721	Hook, Drawer
15	W10121596	Separator, With Selection Slider
16	W10121598	Siphon, Bleach/Softener
17	8183179	Cover, Detergent Drawer
18	8183173	Drawer, Detergent (Complete)
19	W10156617	Bracket, Handle Fixation
20		Handle, Drawer (Includes Items 19 & 21)
	W10156618	White
	W10156622	Chestnut
21	8183253	Medallion
22	8182214	Screw
23	8181747	Seal
24	8181718	Tube, Dispenser To Bellow
25	W10157886	Dispenser, Complete (Includes Item 9)
26	W10156256	Check Valve, Duckbill
27	W10156064	Clamp, Hose
28	8181754	Clamp, Hose
29	W10156130	Hose, Inlet Valve To Steamer Siphon

FOR ORDERING INFORMATION REFER TO PARTS PRICE LIST

TUB AND BASKET PARTS

For Models: WFW9500TW00, WFW9500TC00
(White/Chrome) (Chestnut/Gold)



FOR ORDERING INFORMATION REFER TO PARTS PRICE LIST

TUB AND BASKET PARTS

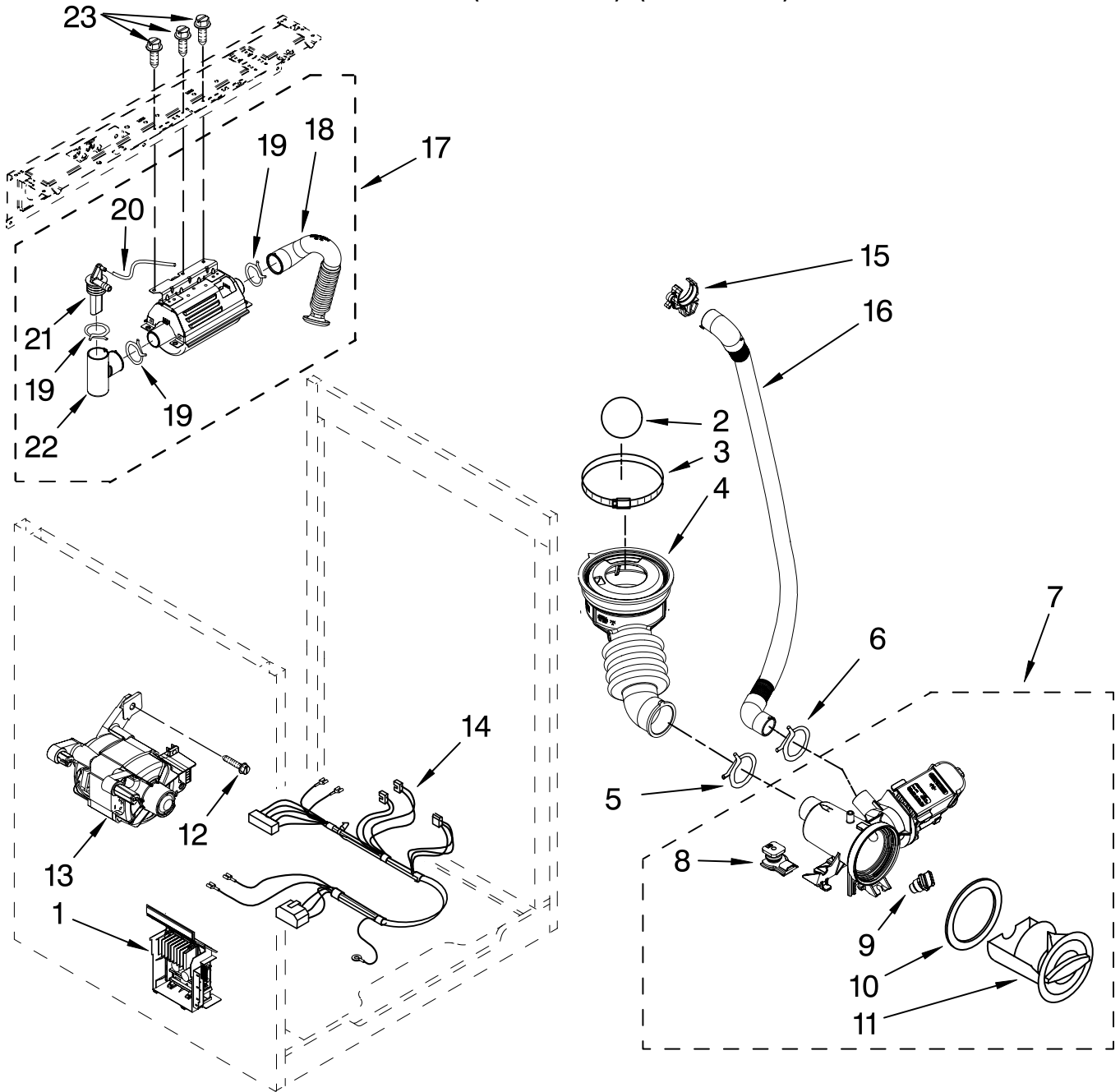
For Models: WFW9500TW00, WFW9500TC00
(White/Chrome) (Chestnut/Gold)

Illus. No.	Part No.	DESCRIPTION
1	8181672	Nut, Pulley
2	8182650	Pulley
3	8181670	Belt
4	8181645	Counterweight, Front (2)
5	8181744	Pipe, Ventilation
6	8181746	Clamp
7	8181743	Hose, Exhaust
8	W10157909	Tub, Rear (Includes Items 10, 22, 23 & 24)
9	8181913	Counterweight, Rear
10	8181673	Gasket, Tub
11	8182232	Basket
12	8182233	Baffle, Tub
13	8181748	O-Ring
14	8181731	Airtrap
15	8181785	Screw
16	8182814	Spring, Suspension
17	8181647	Bolt
18	8181742	Clamp, Hose
19	W10156130	Hose, Exhaust
20	W10156249	Connector, Overflow Hose
21	8181667	Clamp, Tub
22	8182512	Nut, Push-In
23	8182214	Screw
24	8181686	Clamp, Heating Element
25	8182312	Tub, Front (Includes Items 10 & 22)
26	8182666	Element, Heating
27	8181705	NTC
28	8182812	Shock Absorber

FOR ORDERING INFORMATION REFER TO PARTS PRICE LIST

STEAMER, PUMP AND MOTOR PARTS

For Models: WFW9500TW00, WFW9500TC00
(White/Chrome) (Chestnut/Gold)



Illus. No.	Part No.	DESCRIPTION
1	8183196	Motor Control Unit
2	W10121657	Ball
3	8181734	Clamp
4	8181732	Hose, Tub to Pump
5	8181753	Clamp
6	8181752	Clamp
7	8182821	Pump (Complete)
8	8182820	Grommet, Damper (Rear)

Illus. No.	Part No.	DESCRIPTION
9	8182816	Grommet, Damper (Front)
10	8181736	Seal, Filter Cap
11	8183027	Cap, Filter
12	W10128585	Bolt, Motor
13	8182793	Motor
14	W10157915	Harness, Motor
15	8182209	Retainer, Drain Hose
16	8181740	Drain Hose (Inner)

Illus. No.	Part No.	DESCRIPTION
17	W10157910	Steamer, Complete Assembly (Includes Item 20 On Page 7)
18	W10156132	Hose, Steamer/Tub
19	W10156063	Clamp, Hose (3)
20	W10156133	Hose, Overflow
21	W10156250	Cap, Siphon
22	W10156251	Tank, Siphon
23	8181828	Screw, 4.2 x 11

FOR ORDERING INFORMATION REFER TO PARTS PRICE LIST

OPTIONAL PARTS (NOT INCLUDED)

For Models: WFW9500TW00, WFW9500TC00
(White/Chrome) (Chestnut/Gold)

Illus.	Part
No.	No. DESCRIPTION

PAINT, TOUCH-UP (1/2oz.)

72017 White
W10162090 Chestnut

PAINT, PRESSURIZED SPRAY (12 oz.)

350938 Primer, Gray
350930 White

PAINT, BULK (1 qt.)

799344 White (Uncut)

ACCESSORY PARTS

285863 Drain Extension
4396899 Rear Guard
38005 Stack Kit