

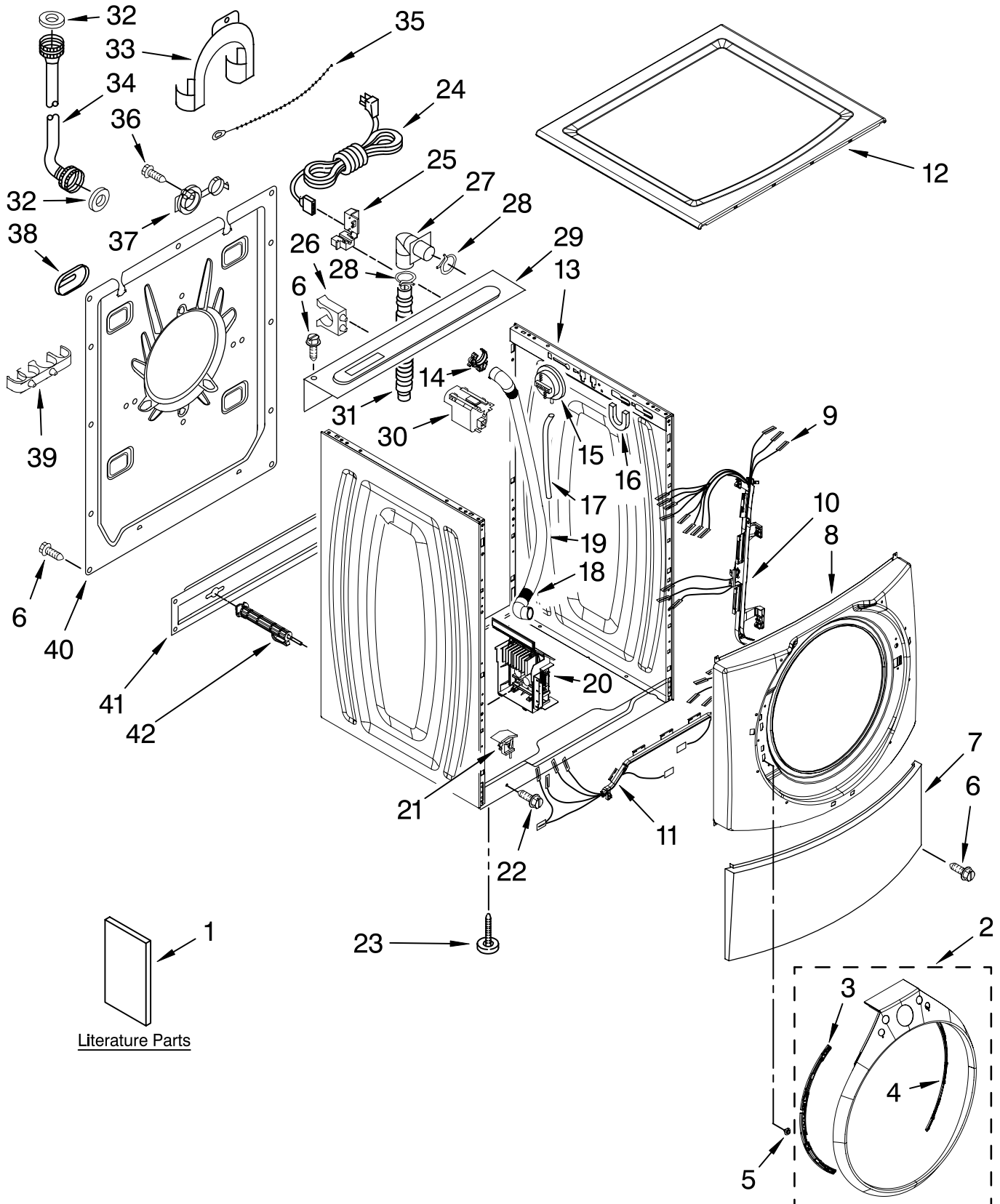


TOP AND CABINET PARTS

For Model: WFW9200SQA12

(White)

AUTOMATIC WASHER



FOR ORDERING INFORMATION REFER TO PARTS PRICE LIST

TOP AND CABINET PARTS

For Model: WFW9200SQA12

(White)

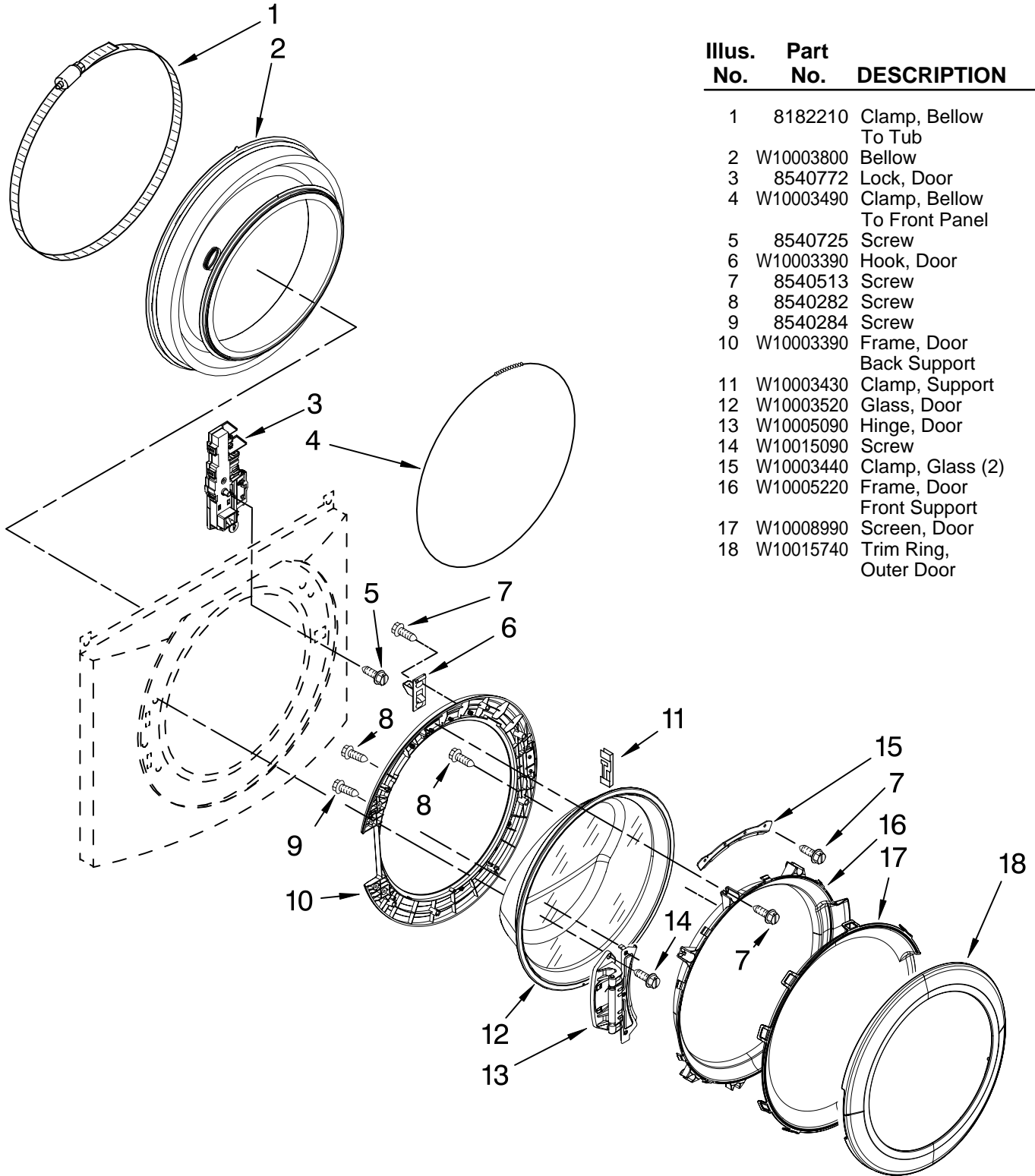
| Illus. No. | Part No. | DESCRIPTION | Illus. No. | Part No. | DESCRIPTION | Illus. No. | Part No. | DESCRIPTION |
|------------|-----------|---|------------|-----------|--------------------------------------|------------|-----------|---|
| 1 | | Literature Parts | 11 | W10131757 | Channel, Harness (Bottom) | 28 | 356138 | Clamp, Hose |
| | 8183011 | Use & Care Guide | 12 | W10003900 | Top | 29 | W10110677 | Brace, Rear |
| | 8183018 | Tech Sheet | 13 | W10002880 | Cabinet | 30 | 8540230 | Filter, Interference |
| | W10171156 | Energy Guide | 14 | W10003290 | Retainer, Drain Hose | 31 | W10003280 | Hose, Drain-Outer |
| | 8183017 | Quick Start Guide | 15 | W10163982 | Switch, Pressure | 32 | 16123 | Washer, Water Inlet Hose (4) 1-1/16 x 5/8 |
| 2 | W10159209 | Trim Ring, Teardrop Assembly | 16 | W10008890 | Bracket, Spring | 33 | 8540021 | U-Bend, Drain Hose |
| 3 | W10015770 | Bracket, Trim Fixation (Left) | 17 | W10004260 | Hose, Pressure Switch | 34 | | Hose, Water Inlet |
| 4 | W10015780 | Bracket, Trim Fixation (Right) | 18 | W10003250 | Hose, Drain-Inner (Includes Item 19) | | 8571377 | Blue Coupler |
| 5 | W10029650 | Clip, Trim | 19 | W10004320 | Sleeve, Drain Hose | | 8571378 | Red Coupler |
| 6 | W10015090 | Screw, 8-18 x 5/8 | 20 | W10015480 | Motor Control Unit | 35 | 3347868 | Cable Tie |
| 7 | W10003640 | Toe Panel | 21 | 8540210 | Microswitch (2) | 36 | 8540727 | Screw, 3 x 8 mm |
| 8 | W10015580 | Panel, Front | 22 | 8540479 | Screw, Grounding | 37 | 8540728 | Sleeve, Cord Support (2) |
| 9 | W10066990 | Harness, Wiring (Lower Main) (Includes Items 10 & 11) | 23 | W10064810 | Foot, Leveling (4) | 38 | 8540268 | Cover, Transport |
| | | | 24 | W10110674 | Cord, Power | 39 | W10003270 | Clip, Outer Hose Holder |
| 10 | W10003460 | Channel, Harness (Side) | 25 | W10110676 | Strain Relief, Power Cord | 40 | W10003030 | Panel, Rear |
| | | | 26 | W10022290 | Clip, Outer Hose Holder | 41 | W10003040 | Brace, Transport |
| | | | 27 | W10003260 | Connector, Drain Hose | 42 | | Bolt, Shipping |
| | | | | | | | W10003340 | Upper (2) |
| | | | | | | | W10003350 | Lower (2) |

FOR ORDERING INFORMATION REFER TO PARTS PRICE LIST

DOOR AND LATCH PARTS

For Model: WFW9200SQA12

(White)



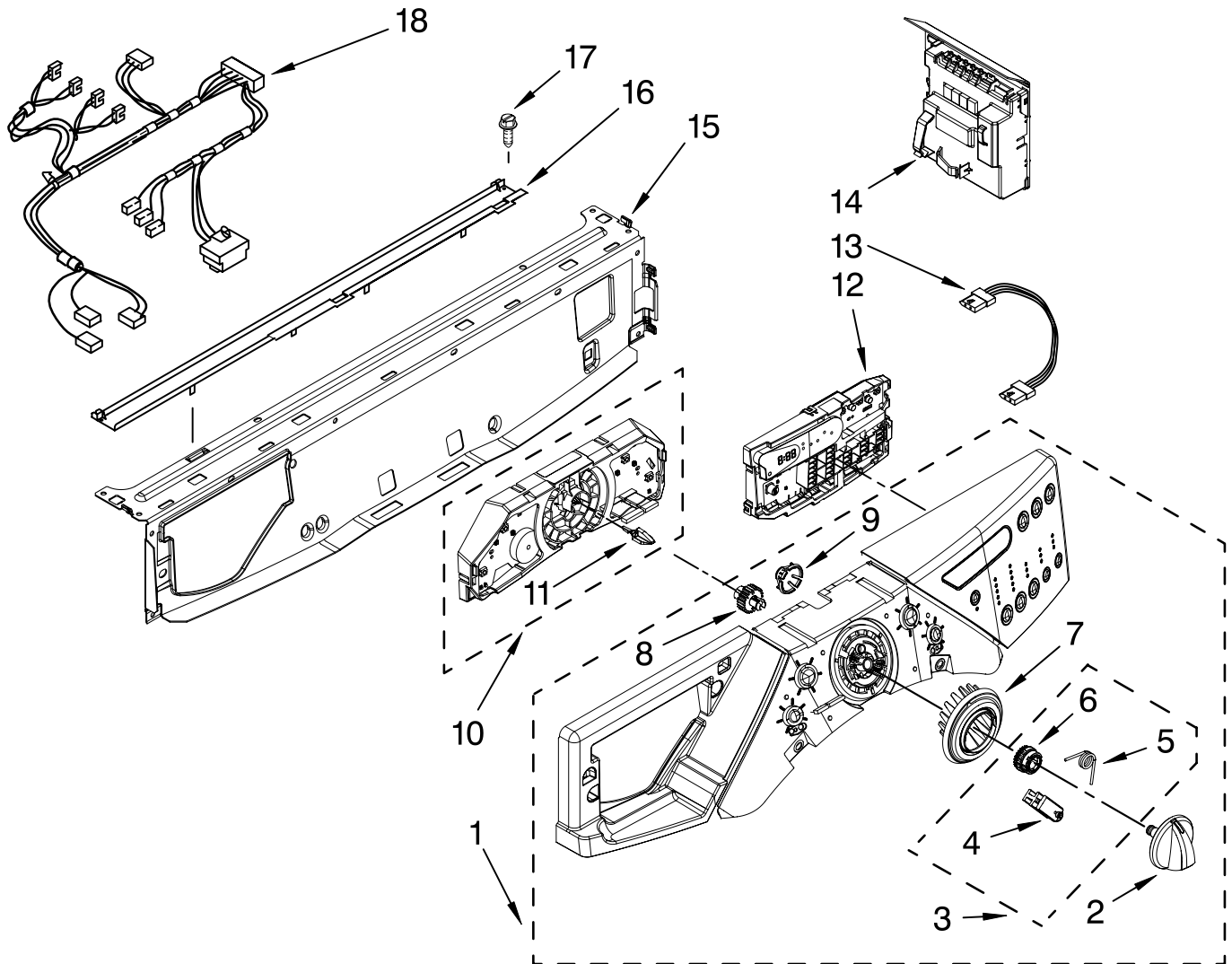
| Illus. No. | Part No. | DESCRIPTION |
|------------|-----------|------------------------------|
| 1 | 8182210 | Clamp, Bellow To Tub |
| 2 | W10003800 | Bellow |
| 3 | 8540772 | Lock, Door |
| 4 | W10003490 | Clamp, Bellow To Front Panel |
| 5 | 8540725 | Screw |
| 6 | W10003390 | Hook, Door |
| 7 | 8540513 | Screw |
| 8 | 8540282 | Screw |
| 9 | 8540284 | Screw |
| 10 | W10003390 | Frame, Door Back Support |
| 11 | W10003430 | Clamp, Support |
| 12 | W10003520 | Glass, Door |
| 13 | W10005090 | Hinge, Door |
| 14 | W10015090 | Screw |
| 15 | W10003440 | Clamp, Glass (2) |
| 16 | W10005220 | Frame, Door Front Support |
| 17 | W10008990 | Screen, Door |
| 18 | W10015740 | Trim Ring, Outer Door |

FOR ORDERING INFORMATION REFER TO PARTS PRICE LIST

CONTROL PANEL PARTS

For Model: WFW9200SQA12

(White)



| Illus. No. | Part No. | DESCRIPTION |
|------------|-----------|--|
| 1 | 8183228 | Panel, Control |
| 2 | W10131368 | Knob, Control (Includes Item 9) |
| 3 | W10133927 | Wheel, Detent Kit (Includes Item 9) |
| 4 | W10131661 | Wheel, Rast (2) (Service In Kit Only) |
| 5 | W10131377 | Spring, Knob (2) (Service In Kit Only) |

| Illus. No. | Part No. | DESCRIPTION |
|------------|-----------|-------------------------------------|
| 6 | W10131378 | Wheel, Detent (Service In Kit Only) |
| 7 | W10131376 | Ring, Knob Light (Includes Item 9) |
| 8 | W10131381 | Wheel, Encoder |
| 9 | W10131382 | Retainer, Snap |
| 10 | W10168596 | User Interface, Center |
| 11 | 8183177 | Adapter, Encoder Wheel |

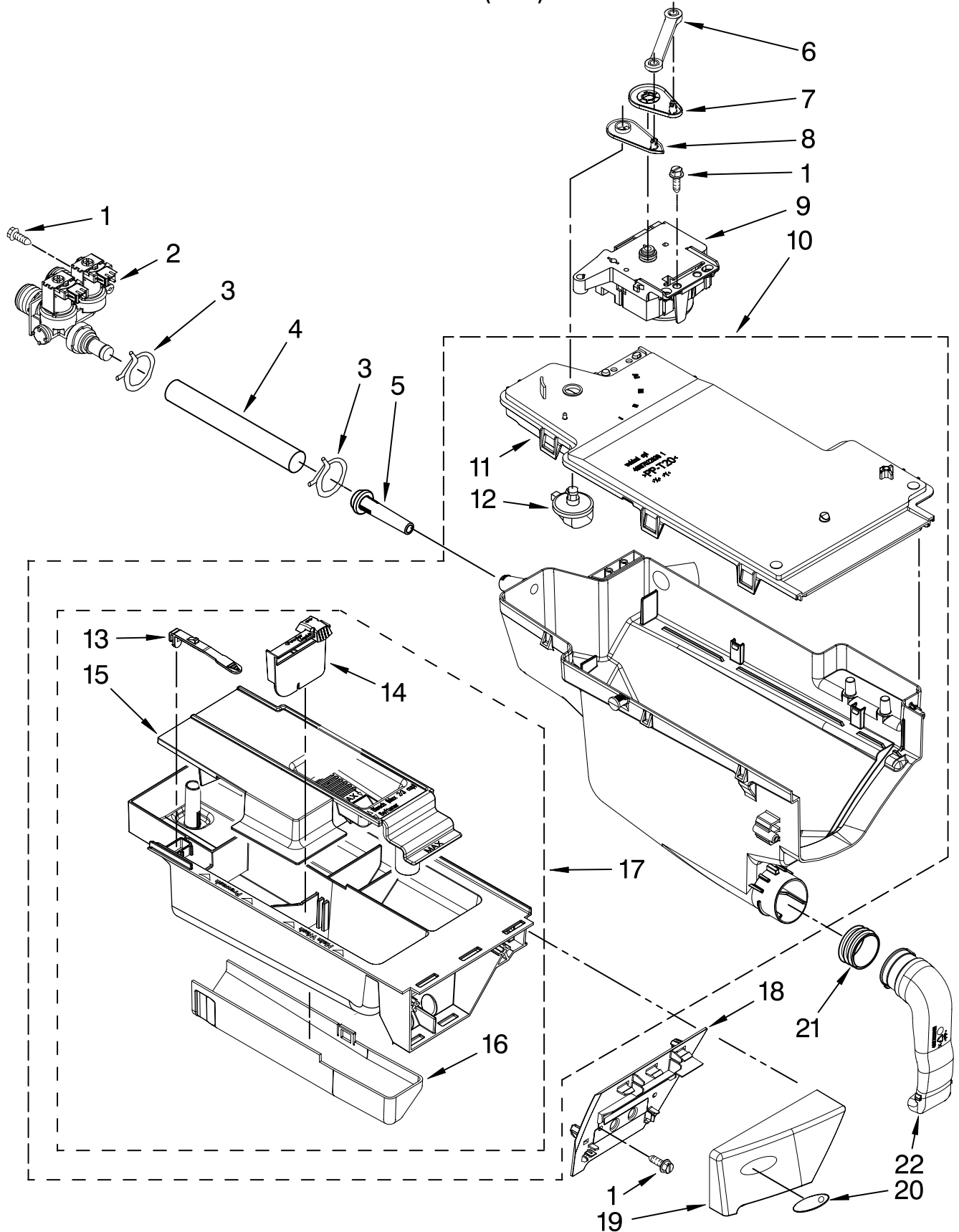
| Illus. No. | Part No. | DESCRIPTION |
|------------|-----------|----------------------------------|
| 12 | W10168597 | User Interface, Right |
| 13 | W10203273 | Harness, Wiring (User Interface) |
| 14 | W10161727 | Microcomputer, Machine Control |
| 15 | W10059240 | Brace, Front Top |
| 16 | W10003700 | Channel, Water |
| 17 | W10015090 | Screw, 8-18 x 5/8 |
| 18 | W10159723 | Harness, Wiring (Upper Main) |

FOR ORDERING INFORMATION REFER TO PARTS PRICE LIST

DISPENSER PARTS

For Model: WFW9200SQA12

(White)



FOR ORDERING INFORMATION REFER TO PARTS PRICE LIST

DISPENSER PARTS

For Model: WFW9200SQA12

(White)

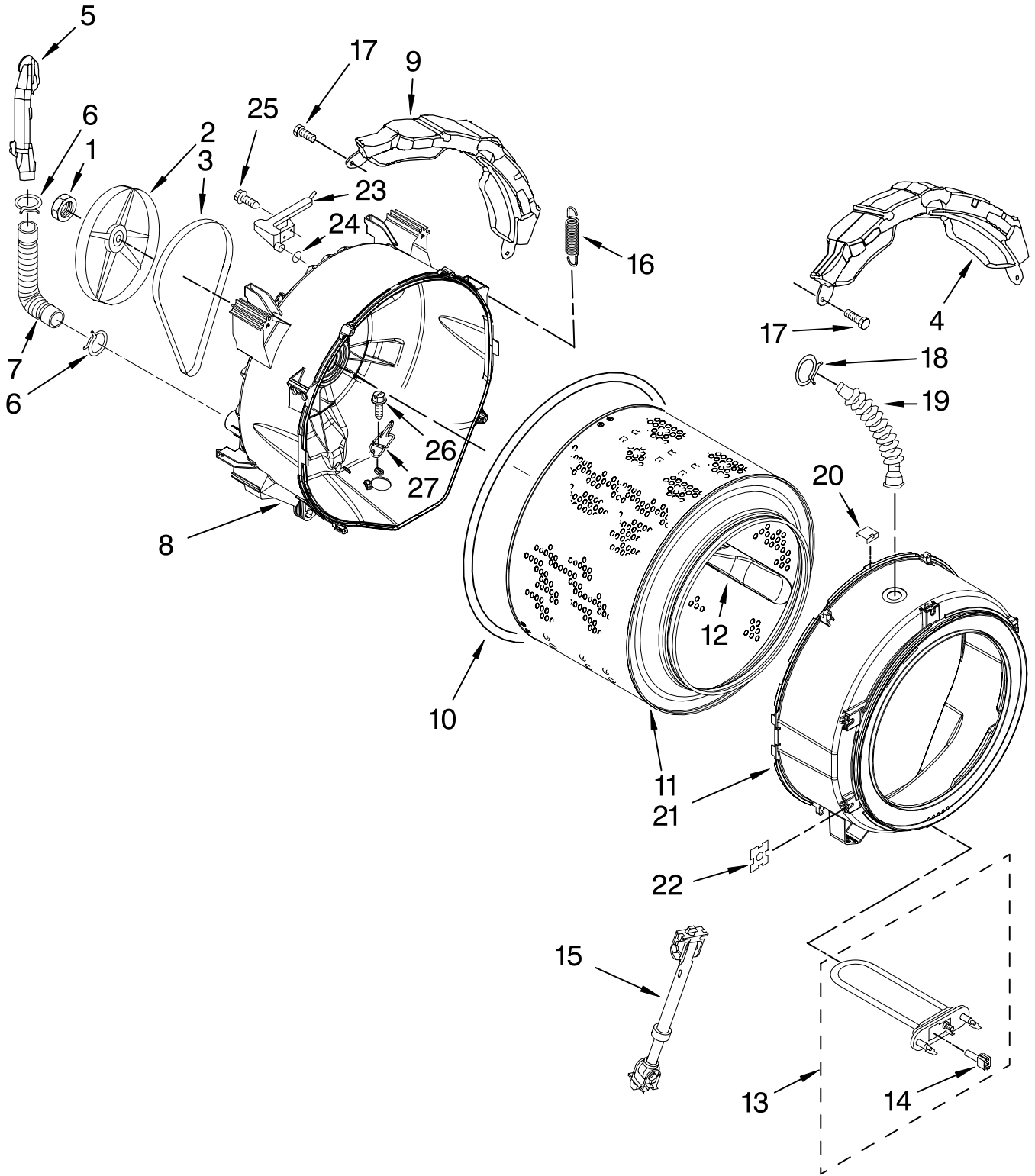
| Illus. No. | Part No. | DESCRIPTION |
|-------------------|-----------------|---|
| 1 | 8540282 | Screw |
| 2 | 8540751 | Valve, Water Inlet |
| 3 | 370450 | Clamp, Hose |
| 4 | 8540065 | Hose – Valve/ Dispenser |
| 5 | 8540042 | Nozzle, Inlet |
| 6 | W10003830 | Lever, Connection |
| 7 | W10003190 | Cam, Actuator |
| 8 | W10003180 | Lever, Water Distribution |
| 9 | W10163975 | Actuator |
| 10 | W10074160 | Dispenser, Complete (Includes Item 8) |
| 11 | W10005080 | Plate, Distribution |
| 12 | W10003110 | Nozzle, Distribution |
| 13 | W10003170 | Hook, Drawer |
| 14 | W10015200 | Separator, With Selection Slider |
| 15 | W10003150 | Syphon, Bleach/Softener |
| 16 | W10003140 | Cover, Detergent Drawer |
| 17 | W10015190 | Drawer, Detergent (Complete) |
| 18 | W10156617 | Bracket, Handle Fixation |
| 19 | 8183234 | Handle, Drawer (Includes Items 18 & 20) |
| 20 | 8183253 | Medallion |
| 21 | W10003360 | Seal |
| 22 | W10005300 | Tube, Dispenser To Bellow |

FOR ORDERING INFORMATION REFER TO PARTS PRICE LIST

TUB AND BASKET PARTS

For Model: WFW9200SQA12

(White)



FOR ORDERING INFORMATION REFER TO PARTS PRICE LIST

TUB AND BASKET PARTS

For Model: WFW9200SQA12

(White)

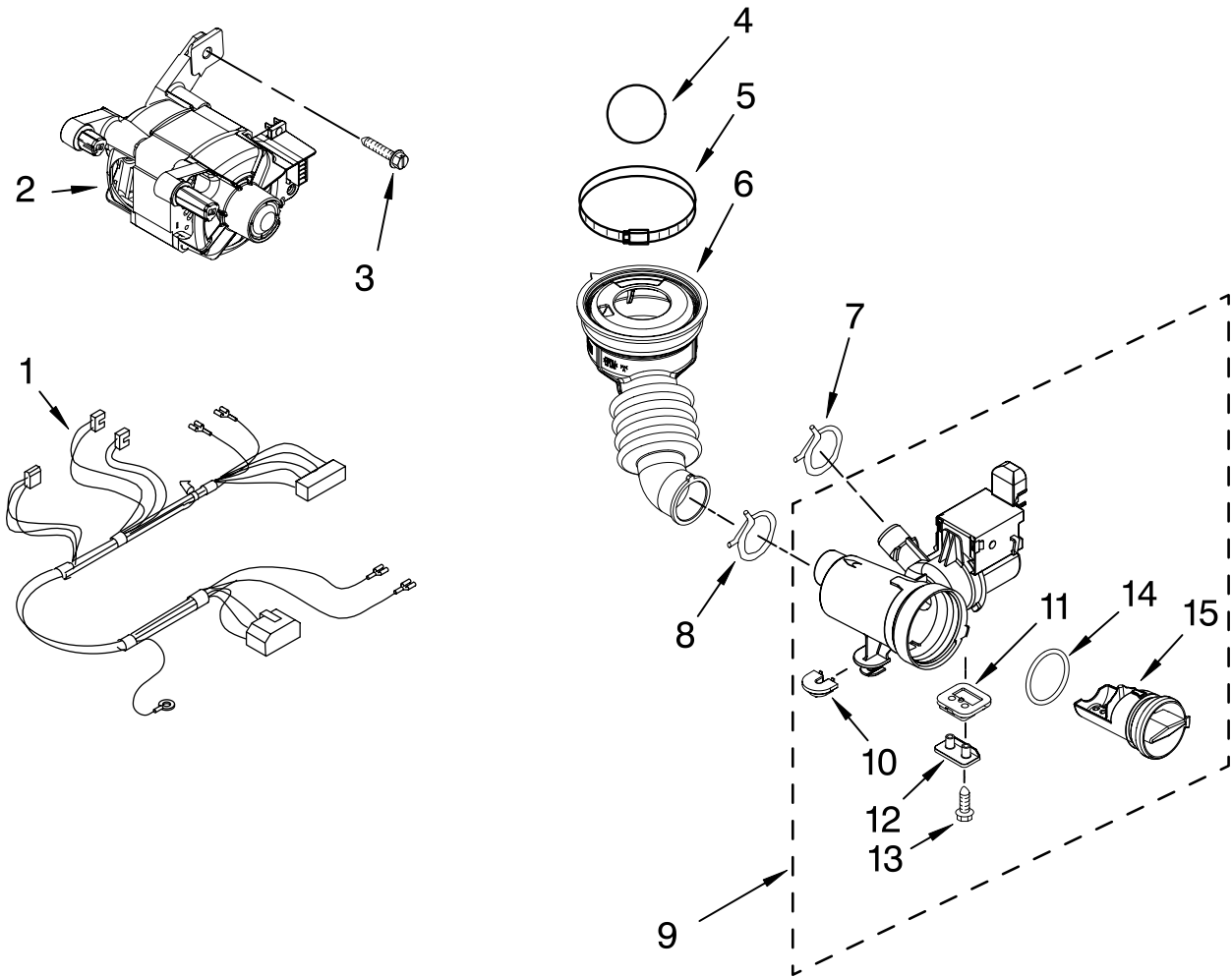
| Illus. No. | Part No. | DESCRIPTION |
|-------------------|-----------------|--|
| 1 | 8533999 | Nut, Pulley |
| 2 | W10003730 | Pulley |
| 3 | W10116915 | Belt, Drive |
| 4 | W10008880 | Counterweight, Front (2) |
| 5 | W10003500 | Pipe, Ventilation |
| 6 | 8540010 | Clamp, Vent Hose |
| 7 | W10004330 | Hose, Exhaust |
| 8 | W10004170 | Tub, Rear (Includes Items 10, 22, 26 & 27) |
| 9 | W10008870 | Counterweight, Rear |
| 10 | W10036350 | Gasket, Tub |
| 11 | W10040480 | Basket, Complete |
| 12 | W10002770 | Baffle, Tub |
| 13 | W10155115 | Element, Heating |
| 14 | 8540226 | Negative Thermistor Control |
| 15 | W10015830 | Shock Absorber |
| 16 | W10127411 | Spring, Suspension (Set Of 2) |
| 17 | W10094780 | Bolt, Counterweight Mtg. |
| 18 | 3363365 | Clamp, Hose |
| 19 | 8540015 | Hose, Exhaust |
| 20 | 8540092 | Clamp, Tub |
| 21 | W10004180 | Tub, Front (Includes Items 10 & 22) |
| 22 | 8540072 | Nut, Push-In |
| 23 | W10003600 | Air Trap |
| 24 | W10004270 | O-Ring, Air Trap |
| 25 | 8540513 | Screw |
| 26 | 8540880 | Screw |
| 27 | W10015240 | Bracket, Heating Element |

FOR ORDERING INFORMATION REFER TO PARTS PRICE LIST

PUMP AND MOTOR PARTS

For Model: WFW9200SQA12

(White)



| Illus. No. | Part No. | DESCRIPTION |
|------------|-----------|-------------------|
| 1 | W10004420 | Harness, Motor |
| 2 | W10140583 | Motor, Drive |
| 3 | 8540134 | Bolt, Motor |
| 4 | W10003330 | Ball |
| 5 | 8540008 | Clamp |
| 6 | W10003240 | Hose, Tub to Pump |

| Illus. No. | Part No. | DESCRIPTION |
|------------|-----------|-----------------------|
| 7 | 356138 | Clamp, Drain Hose |
| 8 | 370448 | Clamp, Hose |
| 9 | W10130913 | Pump (Complete) |
| 10 | W10034820 | Foot, Rubber (Slider) |
| 11 | W10034830 | Foot, Rubber (Lock) |

| Illus. No. | Part No. | DESCRIPTION |
|------------|----------|------------------------------------|
| 12 | 8540033 | Cap, Lock Foot |
| 13 | 8533964 | Screw, 10-16 x 1.25 (2) |
| 14 | 8540025 | Seal, Filter Cap |
| 15 | 8540996 | Filter Assembly (Includes Item 14) |

FOR ORDERING INFORMATION REFER TO PARTS PRICE LIST

OPTIONAL PARTS (NOT INCLUDED)

For Model: WFW9200SQA12

(White)

| Illus. | Part | |
|---------------|-------------|--------------------|
| No. | No. | DESCRIPTION |

PAINT, TOUCH-UP (1/2oz.)

72017 White

PAINT, PRESSURIZED SPRAY (12 oz.)

350938 Primer, Gray

350930 White

PAINT, BULK (1 qt.)

799344 White (Uncut)

ACCESSORY PARTS

285863 Drain Extension

W10135699 Affresh

Odor Remover