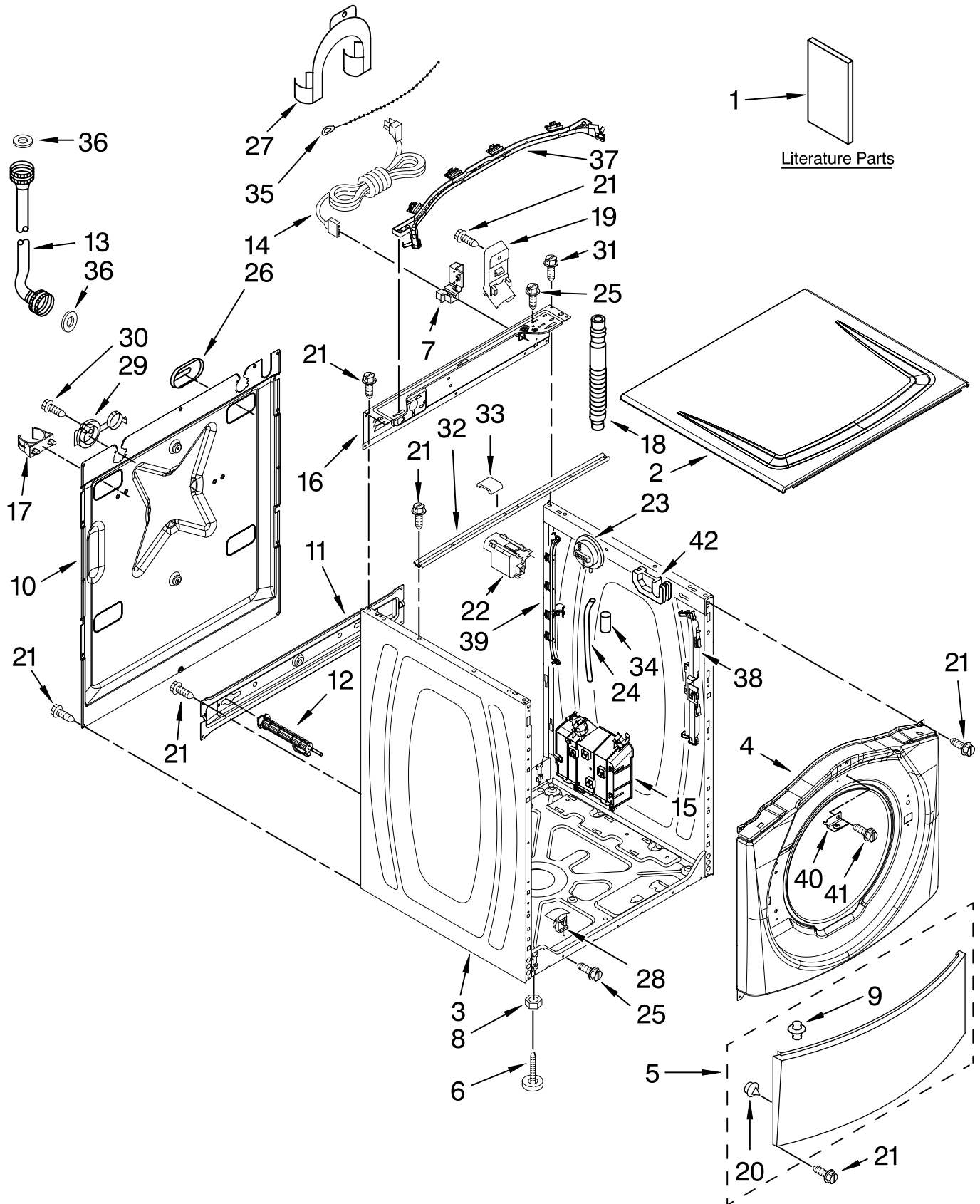




# TOP AND CABINET PARTS

For Models: WFW8400TW00, WFW8400TB00  
(White) (Black)

AUTOMATIC WASHER



FOR ORDERING INFORMATION REFER TO PARTS PRICE LIST

# TOP AND CABINET PARTS

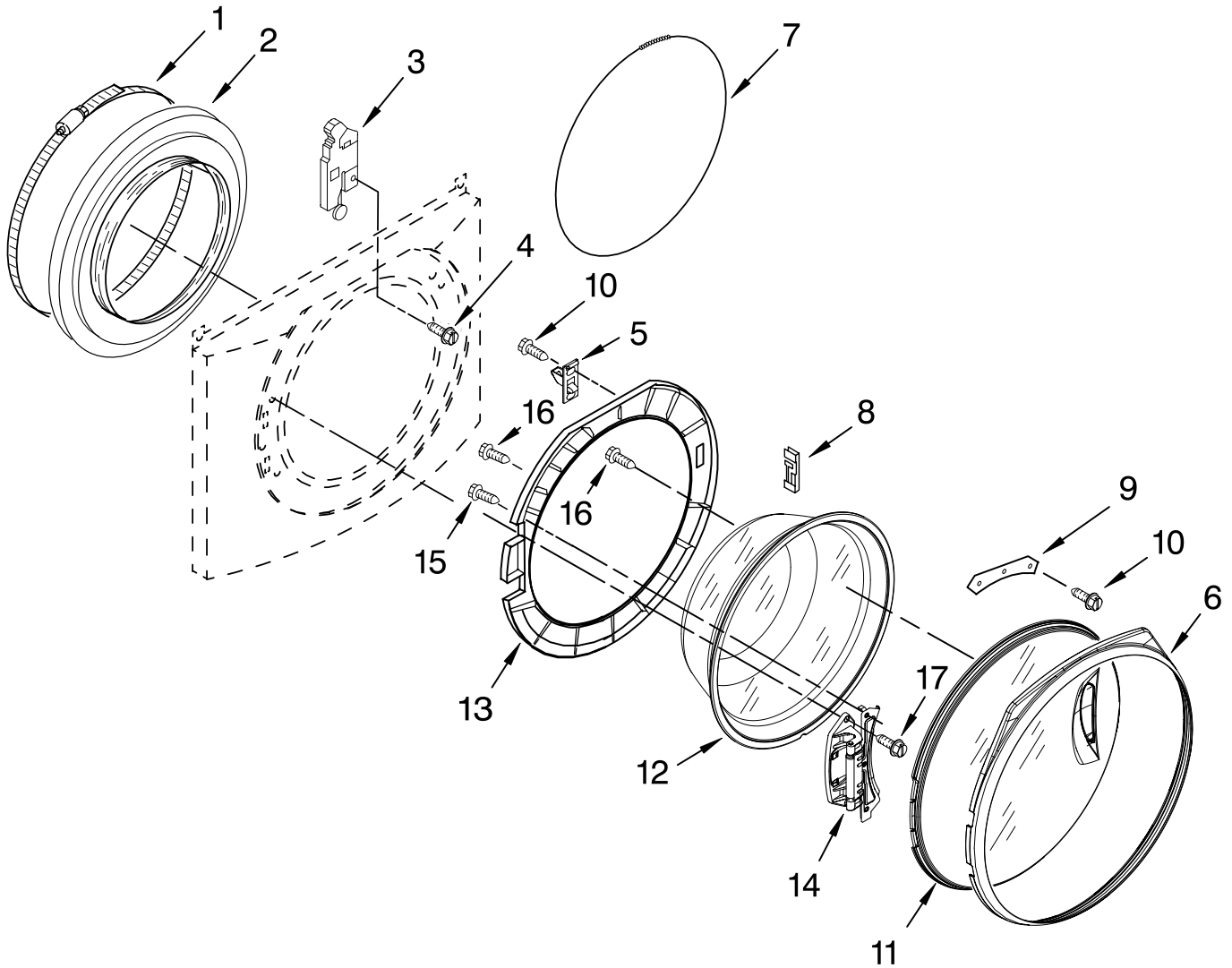
For Models: WFW8400TW00, WFW8400TB00  
(White) (Black)

Illus. No.	Part No.	DESCRIPTION	Illus. No.	Part No.	DESCRIPTION	Illus. No.	Part No.	DESCRIPTION
1		Literature Parts	11	8540581	Brace, Transport	28	W10085220	Microswitch (2)
	W10117768	Use & Care Guide	12	8540199	Bolt, Shipping (4)	29	8540728	Sleeve,
	W10071760	Tech Sheet	13		Hose, Water Inlet			Cord Support (2)
		Energy Guide		8571377	Blue Coupler	30	8540727	Screw, 3 x 8 mm
	W10128102	White Model		8571378	Red Coupler	31	8540329	Screw
	W10157937	Black Model	14	W10121405	Cord, Power	32	8540720	Brace, Top
	8540316	Quick Start Guide	15	8540540	Motor Control Unit			(Includes Item 33)
2		Top	16	8540974	Brace, Rear	33	8283273	Damper, Brace
	8540716	White	17	8540093	Clamp, Tube	34	2161302	Sleeve, Pressure
	W10128645	Black			Transportation			Switch Hose
3		Cabinet	18	8540011	Hose, Drain	35	3347868	Cable Tie
	8540548	White	19	8540607	Retainer,	36	16123	Washer, Water
	W10117456	Black			Hose Outlet			Inlet Hose (4)
4		Panel, Front	20	238614	Bumper (2)			1-1/16 x 5/8
	8540572	White	21	W10015090	Screw, 8-18 x 5/8	37	8540290	Harness Channel,
	W10128427	Black	22	8540230	Filter,			Top Rear
5		Toe Panel			Interference	38	8540288	Harness Channel,
	8540813	White	23	8540224	Switch, Pressure			Side Front
	W10112981	Black	24	8540294	Hose, Pressure	39	8540289	Harness Channel,
6	W10121677	Foot, Leveling (4)			Switch			Side Rear
7	W10110676	Strain Relief,	25	8540479	Screw, Grounding	40	8540669	Bracket,
		Power Cord	26	8540268	Cover, Transport			Console Retainer
8	3359452	Nut, Lock (4)	27	8540021	U-Bend,	41	8533954	Screw
9	8518891	Rivet (2)			Drain Hose	42	8540644	Bracket, Spring
10	8540580	Panel, Rear						

FOR ORDERING INFORMATION REFER TO PARTS PRICE LIST

# DOOR AND LATCH PARTS

For Models: WFW8400TW00, WFW8400TB00  
(White) (Black)



Illus. No.	Part No.	DESCRIPTION
1	8540108	Clamp, Bellow To Tub
2	8540952	Bellow
3	8540772	Lock, Door
4	8540725	Screw
5	8540221	Hook, Door
6	8540533 W10135726	Trim Ring, Outer Door Nestle White Tempest Grey

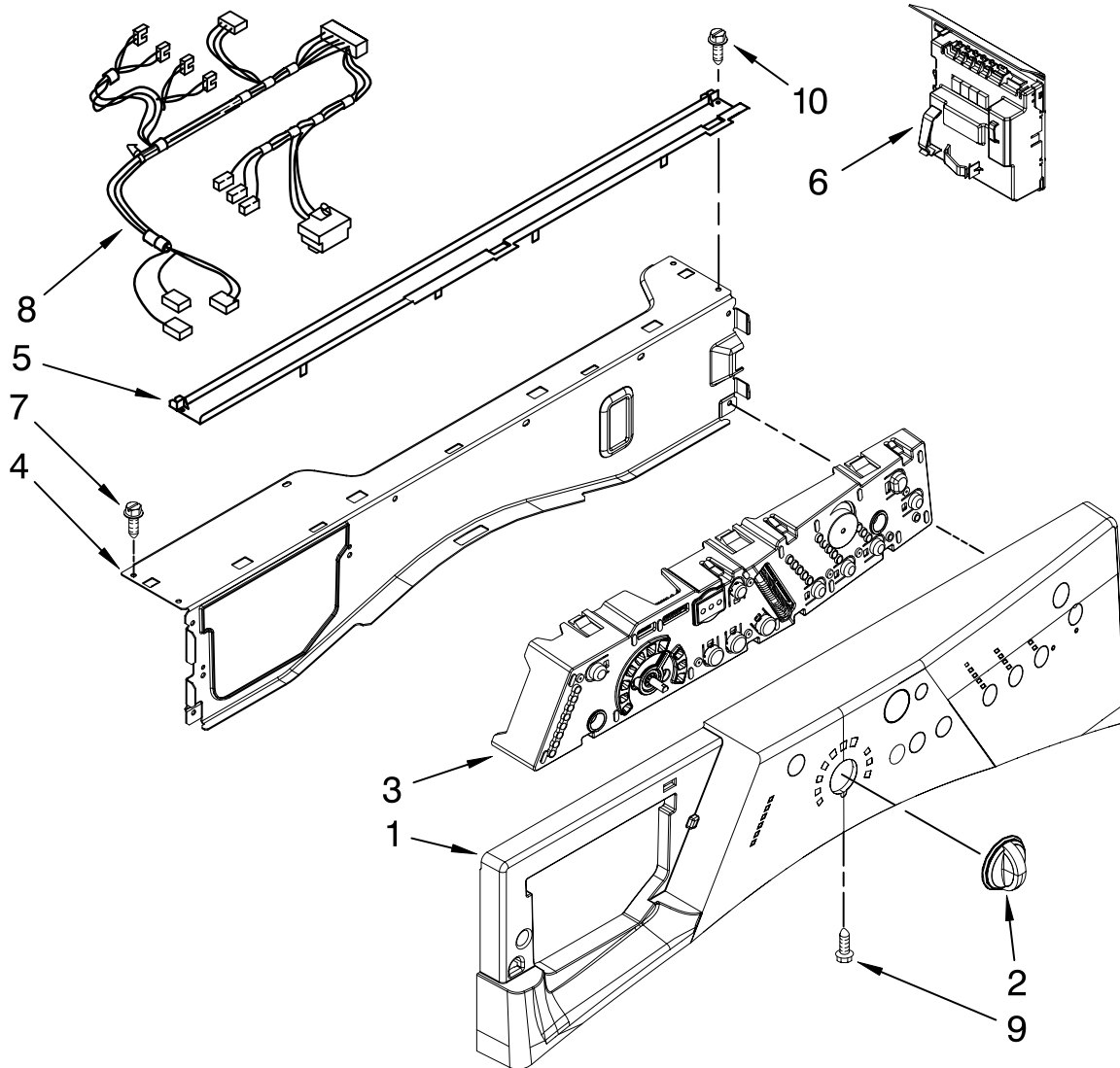
Illus. No.	Part No.	DESCRIPTION
7	8540107	Clamp, Bellow To Front Panel
8	8540115	Clamp, Support
9	8540114	Clamp, Glass (2)
10	8540513	Screw
11	8540588 W10128432	Frame, Door Front Assembly Nestle White Whistler Grey

Illus. No.	Part No.	DESCRIPTION
12	8540428	Glass, Door
13	W10138523	Frame, Door Back Support
14	8540416	Hinge, Door
15	8540284	Screw
16	8540282	Screw
17	W10015090	Screw

FOR ORDERING INFORMATION REFER TO PARTS PRICE LIST

# CONTROL PANEL PARTS

For Models: WFW8400TW00, WFW8400TB00  
(White) (Black)

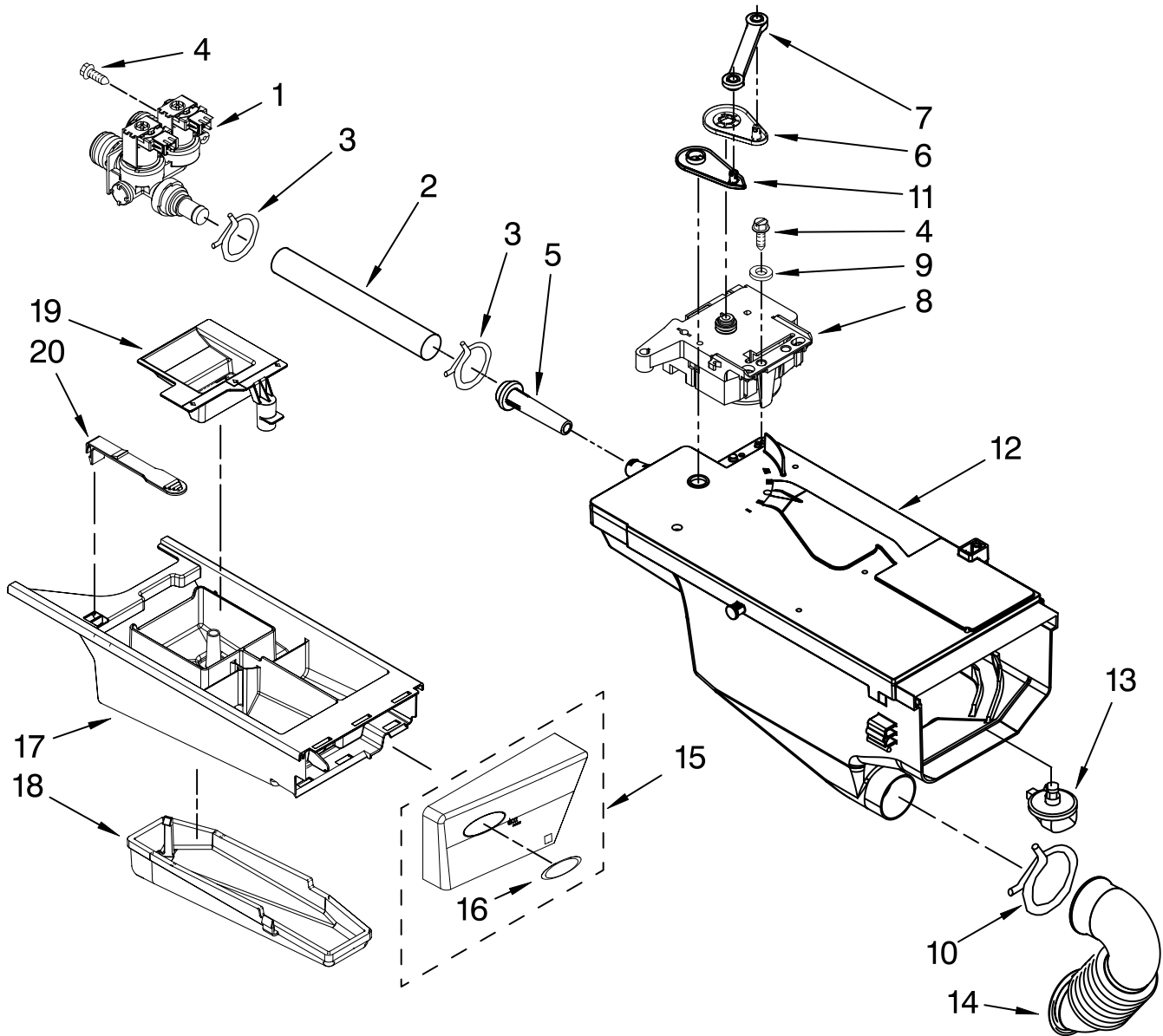


Illus. No.	Part No.	DESCRIPTION
1	W10132001 W10131963	Panel, Control White Black
2	8574963 W10129067	Knob, Control Nestle White Tempest Grey
3	8574920 W10149382	User Interface White Model Black Model
4	8540558	Brace, Top Front
5	8540839	Channel, Water
6	W10160253	Microcomputer, Machine Control
7	3390647	Screw, 8-18 x 1/2
8	8540524	Harness, Wiring (Main)
9	8540282	Screw
10	W10015090	Screw, 8-18 x 5/8

FOR ORDERING INFORMATION REFER TO PARTS PRICE LIST

# DISPENSER PARTS

For Models: WFW8400TW00, WFW8400TB00  
(White) (Black)



Illus. No.	Part No.	DESCRIPTION
1	8540751	Valve, Inlet
2	8540065	Hose, Valve To Dispenser
3	370450	Clamp, Hose
4	8540282	Screw
5	8540042	Nozzle, Inlet
6	8540393	Cam, Actuator
7	8540394	Lever, Water Distribution
8	8540041	Actuator

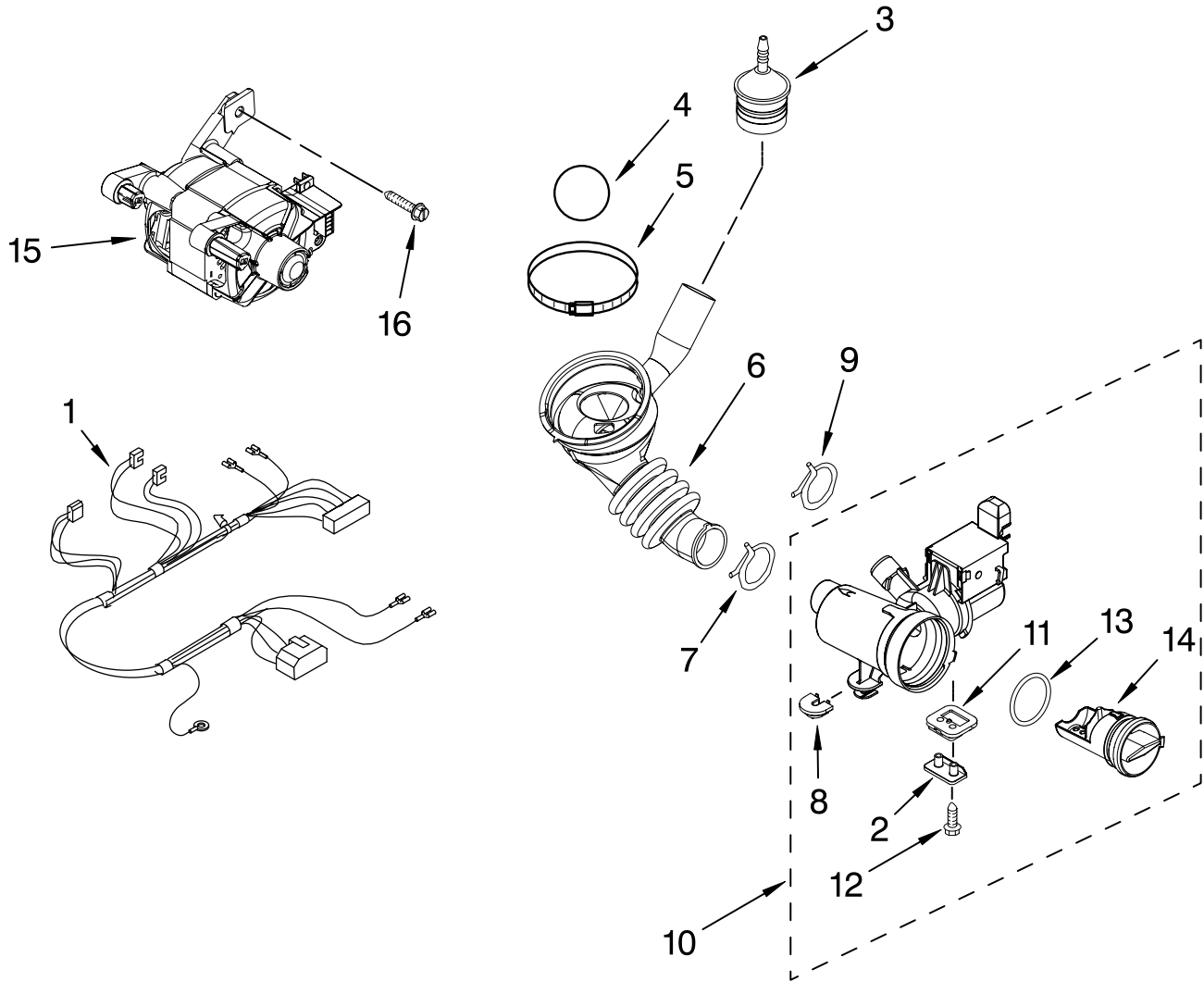
Illus. No.	Part No.	DESCRIPTION
9	VS611	Washer
10	8281276	Clamp, Hose
11	8540395	Connection, Lever
12	8540058	Dispenser
13	8540053	Nozzle, Distribution
14	8540063	Hose, Dispenser To Tub
15	8574948	White Handle, Drawer
	W10099634	Black

Illus. No.	Part No.	DESCRIPTION
16	W10117943	Medallion
17	8540402	Drawer, Detergent
18	8540399	Cover, Detergent Drawer
19	8540429	Siphon, Bleach/Softener
20	8540400	Hook, Drawer

FOR ORDERING INFORMATION REFER TO PARTS PRICE LIST

# PUMP AND MOTOR PARTS

For Models: WFW8400TW00, WFW8400TB00  
(White) (Black)



Illus. No.	Part No.	DESCRIPTION
1	8540525	Harness, Motor
2	8540033	Cap, Lock Foot
3	8540180	Air Trap
4	8540013	Ball
5	8540008	Clamp
6	8540012	Hose, Tub to Pump

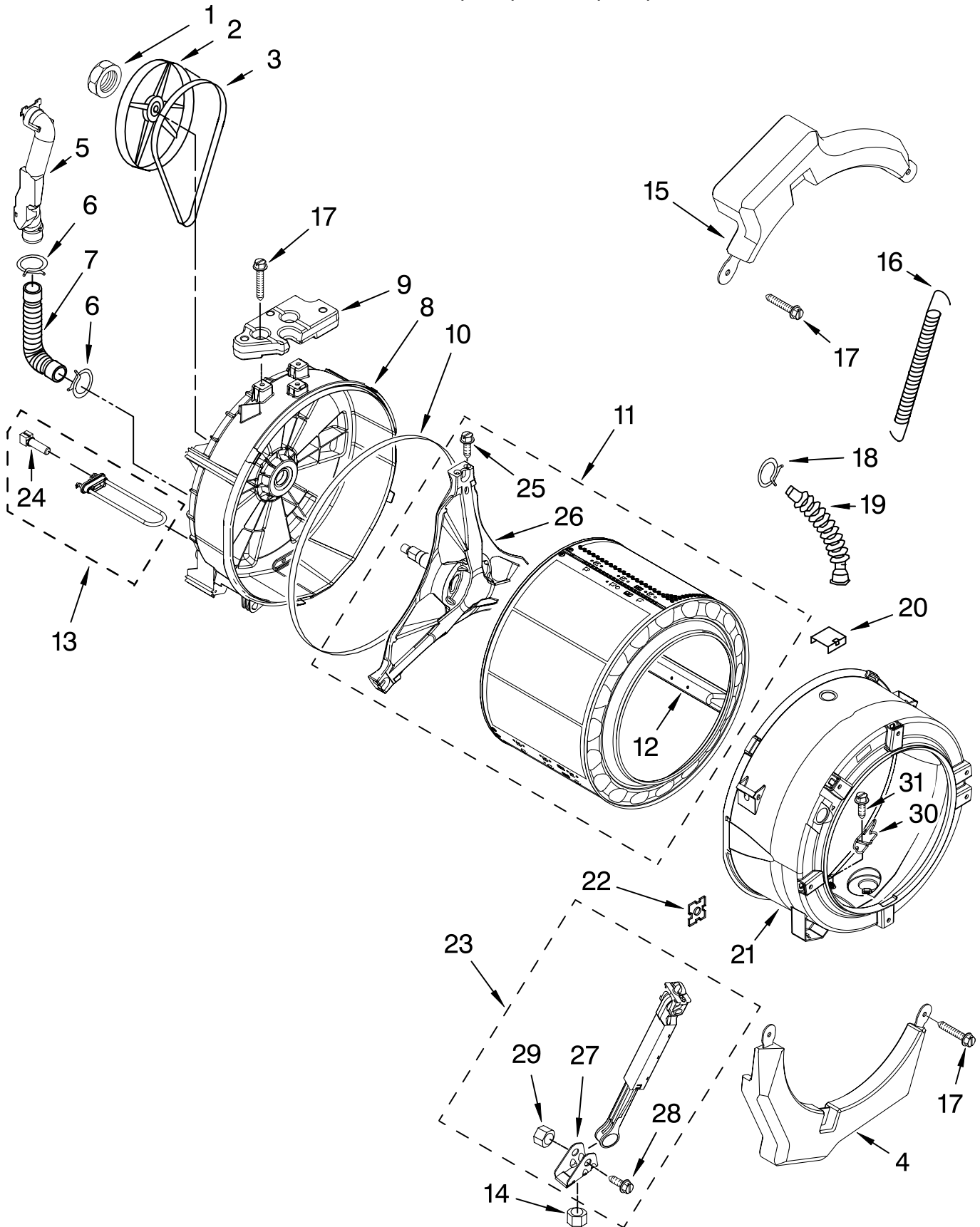
Illus. No.	Part No.	DESCRIPTION
7	370448	Clamp
8	W10034820	Foot, Rubber (Slider)
9	356138	Clamp, Hose
10	W10130913	Pump (Complete)
11	W10034830	Foot, Rubber (Lock)

Illus. No.	Part No.	DESCRIPTION
12	8533964	Screw, 10-16 x 1.25 (2)
13	8540025	Seal, Filter Cap
14	8540996	Filter Assembly (Includes Item 13)
15	W10140581	Motor, Drive
16	8540134	Bolt, Motor

FOR ORDERING INFORMATION REFER TO PARTS PRICE LIST

# TUB AND BASKET PARTS

For Models: WFW8400TW00, WFW8400TB00  
(White) (Black)



FOR ORDERING INFORMATION REFER TO PARTS PRICE LIST

# TUB AND BASKET PARTS

For Models: WFW8400TW00, WFW8400TB00  
(White) (Black)

Illus. No.	Part No.	DESCRIPTION
1	8533999	Nut, Pulley
2	8540088C	Pulley
3	8540101	Belt, Drive
4	8540600	Counterweight, Front Lower
5	W10112169	Pipe, Ventilation
6	8540010	Clamp, Vent Hose
7	8540019	Hose, Exhaust
8	W10112663	Tub, Rear (Includes Items 10 & 22)
9	8540604	Counterweight, Rear
10	8540090	Gasket, Tub
11	8540357	Basket, Complete
12	8540360	Baffle, Tub
13	8540323	Element, Heating
14	8534084	Nut, Shock Absorber Mounting
15	8540598	Counterweight, Front Upper
16	W10010360	Spring, Suspension (Set Of 2)
17	W10094780	Bolt, Counterweight Mtg.
18	3363365	Clamp, Hose
19	8540015	Hose, Exhaust
20	8540092	Clamp, Tub
21	W10112664	Tub, Front (Includes Items 10, 22, 30 & 31)
22	8540072	Nut, Push-In
23	W10084740	Shock Absorber
24	8540226	Negative Thermistor Control
25	8540382	Screw
26	8540342	Crosspiece Asm
27	8540940	Bracket, Shock Absorber Mounting
28	8540841	Bolt, Shock Brkt.
29	8540842	Nut, Shock Brkt.
30	8540322	Bracket, Heating Element
31	8540880	Screw

FOR ORDERING INFORMATION REFER TO PARTS PRICE LIST



# OPTIONAL PARTS (NOT INCLUDED)

For Models: WFW8400TW00, WFW8400TB00  
(White) (Black)

<b>Illus. No.</b>	<b>Part No.</b>	<b>DESCRIPTION</b>
-------------------	-----------------	--------------------

## PAINT, TOUCH-UP (1/2oz.)

72017 White  
72032 Black

## PAINT, PRESSURIZED SPRAY (12 oz.)

350938 Primer, Gray  
350930 White  
786020 Black

## PAINT, BULK (1 qt.)

799344 White (Uncut)  
786032 Black (Uncut)

## ACCESSORY PARTS

285863 Drain Extension

FOR ORDERING INFORMATION REFER TO PARTS PRICE LIST