

TOP AND CABINET PARTS

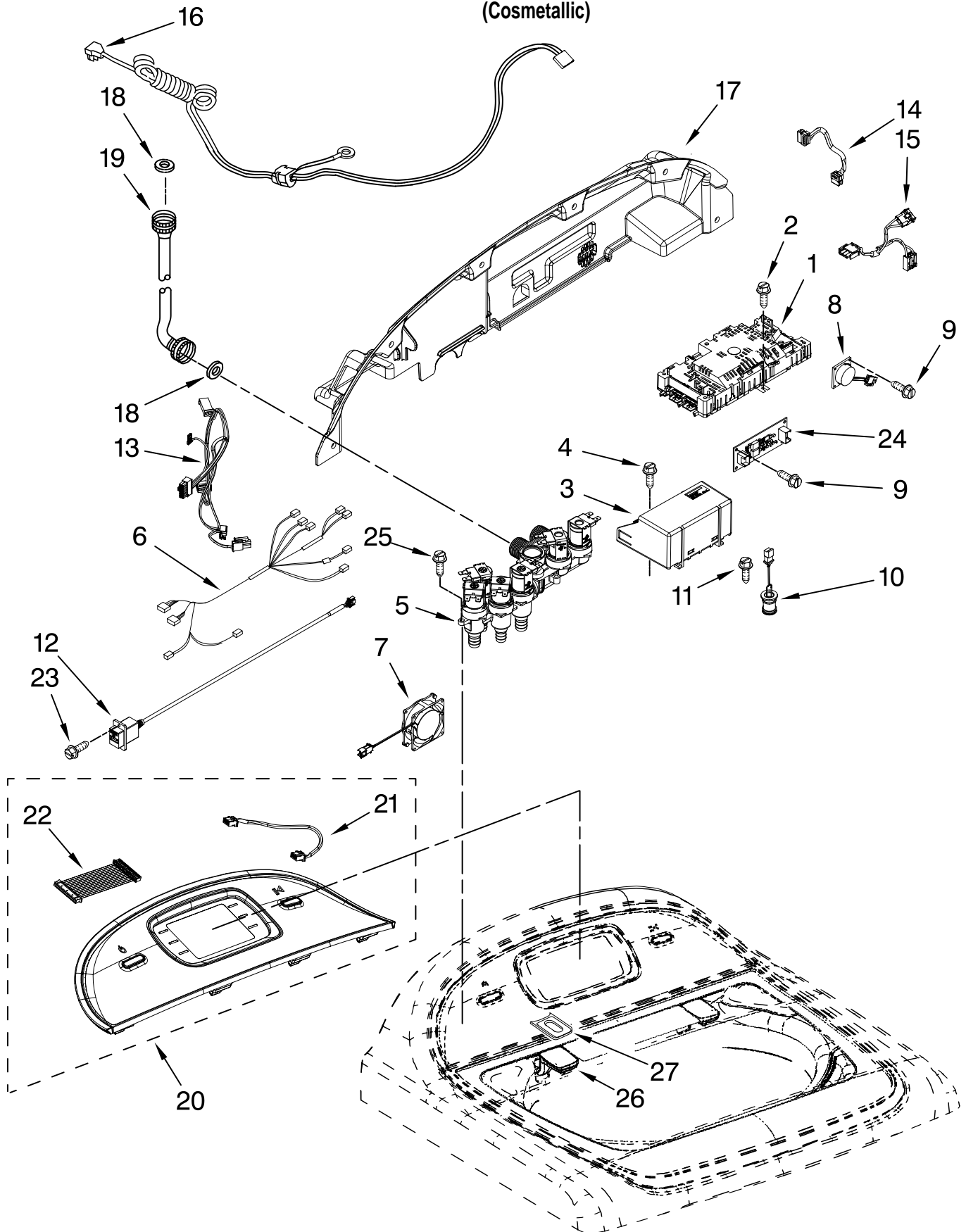
FOR MODEL: WTW7990XG0
(Cosmetallic)

| Illus. No. | Part No. | DESCRIPTION | Illus. No. | Part No. | DESCRIPTION | Illus. No. | Part No. | DESCRIPTION | |
|---------------|-------------|--|---------------|-------------|--|---------------|-------------|---------------------------------|------------------------------------|
| 1 | | Literature Parts Installation Instructions | 10 | W10256514 | Damper Assembly, Tub Suspension (Set Of 4–Includes Items 9, 15, 16 & 17) | 27 | W10283978 | Nozzle Assembly, Fresh Water | |
| | W10240438 | English/French | | 11 | 1157158 | 11 | W10096852 | Clamp, Hose | |
| | W10240439 | Spanish | | 12 | 3934662 | 12 | W10059230 | Lock Assembly, Lid | |
| | W10330930 | Use & Care Guide | | 13 | W10324301 | 13 | W10296801 | Screw, 8–18 x 3/4 | |
| | W10312006 | Installation Instructions– Sound Shield | | 14 | W10300818 | 14 | W10035712 | Cable Tie | |
| | W10329226 | Tech Sheet | | 15 | W10167599 | 15 | W10285826 | Tool, Trim Stick | |
| | W10326642 | Energy Guide | | 16 | 8577896 | 16 | W10285717 | Hinge, Rear | |
| 2 | W10285672 | Top & Console Assembly (Includes Items 26 & 27 on Page 3) | | 17 | 8564017 | 17 | 343641 | Screw, 10–16 x 1/2 | |
| 3 | W10162416 | Frame Assembly, Cabinet Top (Includes Item 38) | | 18 | W10155270 | 18 | 8563941 | Cover, Harness | |
| 4 | W10285716 | Bracket–Support, Front | | 19 | W10285675 | 19 | W10303701 | Screw, 8–18 x 3/4 | |
| 5 | W10297810 | Cabinet | | 20 | W10240448 | 20 | 8543784 | Bracket, Drain Hose | |
| 6 | 8566090 | Panel, Rear | | 21 | W10283377 | 21 | 8578386 | Shield, Wire Harness | |
| 7 | W10160572 | Retainer, Drain Hose Storage | | 22 | W10285707 | 22 | 489474 | Screw, 8–18 x 1.00 | |
| 8 | W10285737 | Bracket, Lower Top Retention | | 23 | W10283967 | 23 | W10323797 | Spacer, Rear Locator | |
| 9 | W10111536 | Ball, Suspension (Set Of 4 – Includes Item 15) | | 24 | W10285695 | 24 | 370451 | Clamp, Hose | |
| | | | | 25 | W10283970 | 25 | 371503 | Clamp, Hose | |
| | | | | 26 | W10285701 | 26 | 3400061 | Screw, 10–16 x 9/16 | |
| | | | | | | | 44 | W10212660 | Pad, Sound Dampening |
| | | | | | | | 45 | 8565184 | Absorber – Sound, Bottom |
| | | | | | | | 46 | 8578225 | Absorber – Sound, Cabinet Front |
| | | | | | | | 47 | W10123957 | Panel, Dampening |

FOR ORDERING INFORMATION REFER TO PARTS PRICE LIST

CONTROL PANEL PARTS

FOR MODEL: WTW7990XG0
(Cosmetallic)



FOR ORDERING INFORMATION REFER TO PARTS PRICE LIST

CONTROL PANEL PARTS

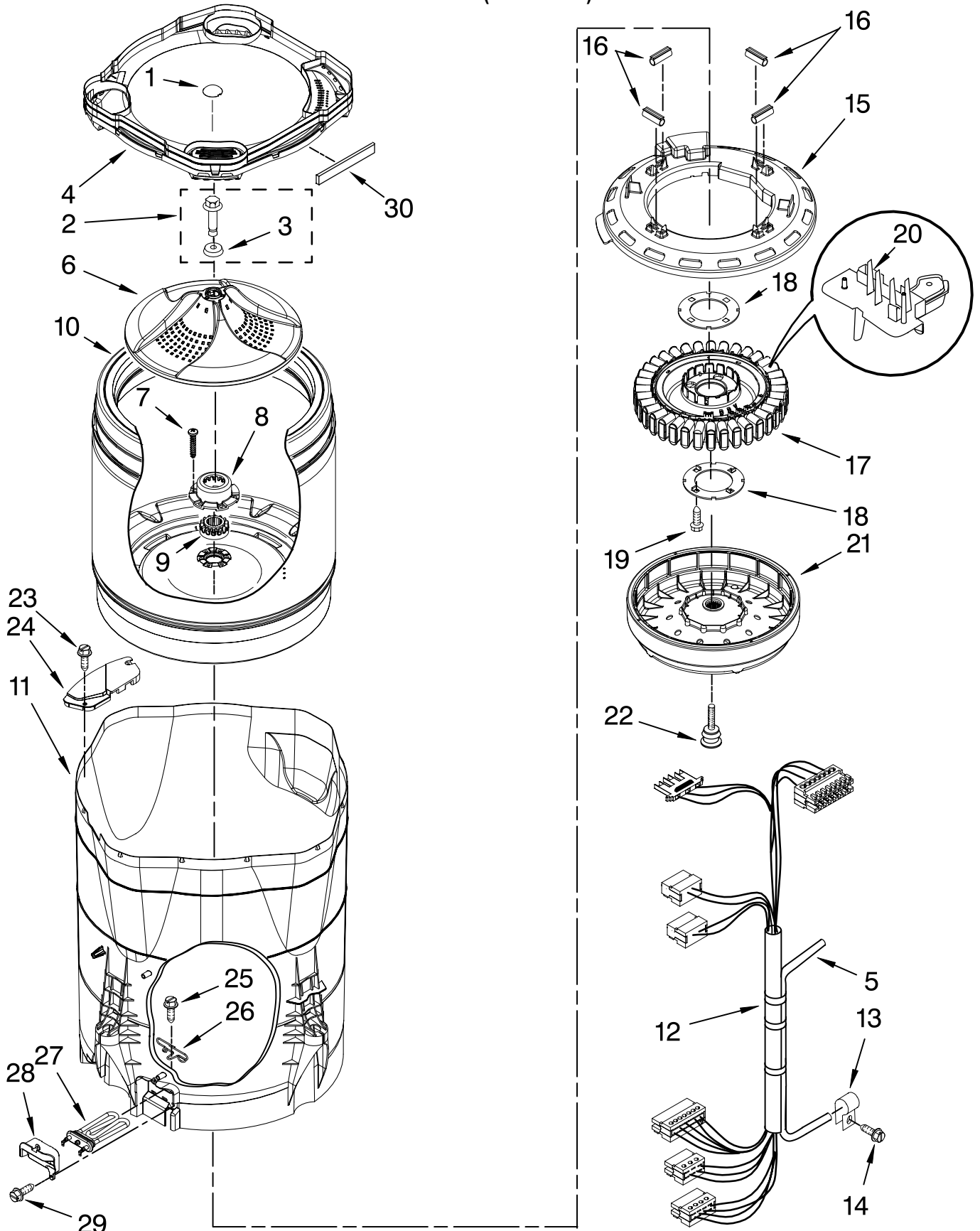
FOR MODEL: WTW7990XG0
(Cosmetallic)

| Illus. No. | Part No. | DESCRIPTION |
|-------------------|-----------------|--|
| 1 | W10286071 | Control Unit Assembly, Machine & Motor |
| 2 | 7101P650-60 | Screw |
| 3 | W10280594 | Power Supply |
| 4 | 12990204 | Screw, 8-18 x 1/2 |
| 5 | W10326917 | Valve, Log |
| 6 | W10331300 | Harness, Log Valve |
| 7 | W10285759 | Fan |
| 8 | W10280595 | Speaker |
| 9 | W10300795 | Screw, M2-0.4 x 8.75 |
| 10 | W10280747 | LED Assembly |
| 11 | W10300799 | Screw, 8-18 x 1/2 |
| 12 | W10280760 | Jumper, UI To USB |
| 13 | W10280738 | Jumper, User Interface |
| 14 | W10280736 | Jumper, CCU To Wide ISO |
| 15 | W10280742 | Jumper, Main Power |
| 16 | W10051098 | Cord Assembly, Power |
| 17 | W10285715 | Panel, Rear Console Cover |
| 18 | W10242307 | Washer, Water Inlet Hose |
| 19 | | Hose, Water Inlet |
| | W10194208 | Cold Water |
| | 8571378 | Hot Water |
| 20 | W10285684 | Panel, Console Facia Assembly |
| 21 | W10289382 | Jumper, Atlas Audio To HMI |
| 22 | W10167482 | Wire Assembly, Main Connection |
| 23 | W10300815 | Screw, M2-0.89 x 10 |
| 24 | W10280598 | Circuit Board, Wide ISO IR |
| 25 | 8281136 | Screw, 8-18 x 3/4 |
| 26 | W10285714 | Hinge, Lid |
| 27 | | Bezel, Hinge |
| | W10323408 | Left |
| | W10323407 | Right |

FOR ORDERING INFORMATION REFER TO PARTS PRICE LIST

MOTOR, BASKET AND TUB PARTS

FOR MODEL: WTW7990XG0
(Cosmetallic)



FOR ORDERING INFORMATION REFER TO PARTS PRICE LIST

MOTOR, BASKET AND TUB PARTS

FOR MODEL: WTW7990XG0

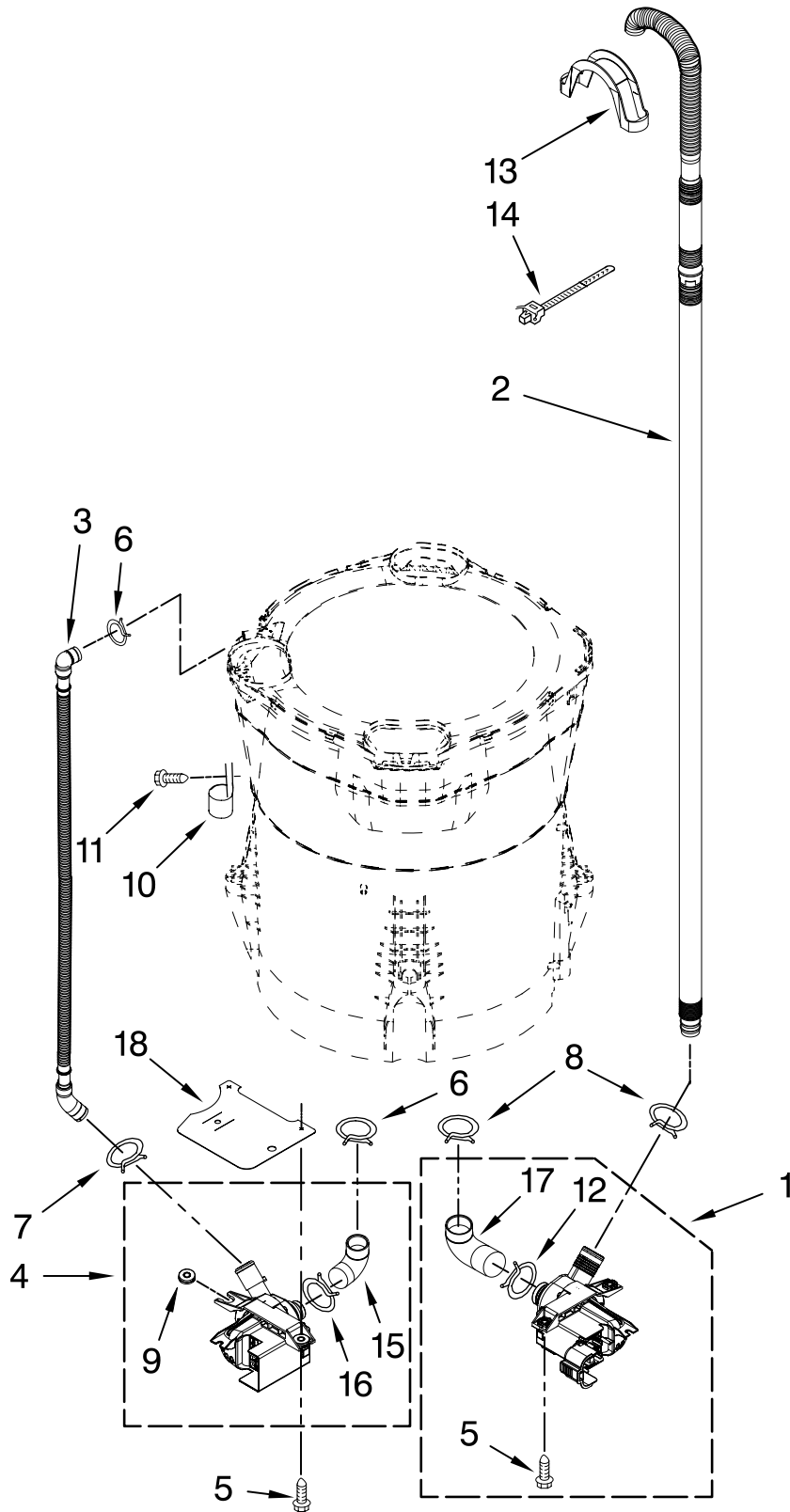
(Cosmetallic)

| Illus. | Part | |
|---------------|-------------|--|
| No. | No. | DESCRIPTION |
| 1 | W10305259 | Cap, Impeller |
| 2 | W10076270 | Screw & Washer Assembly |
| 3 | W10076260 | Washer |
| 4 | W10309701 | Tub Ring (Includes Item 30) |
| 5 | 8054711 | Hose Pressure Switch |
| 6 | W10286241 | Impeller (Washplate) |
| 7 | 8533953 | Screw, 8-16 X 1.00 |
| 8 | W10118114 | Hub, Basket-Driven (Includes Item 9) |
| 9 | 8545953 | Hub, Basket-Driver (Includes Item 8) |
| 10 | W10310957 | Basket Assembly (Includes Items 7, 8, & 9) |
| 11 | W10157673 | Tub & Drive Shaft Assembly |
| 12 | W10280737 | Harness, Main (Includes Item 5) |
| 13 | W10005430 | Clamp, Pressure Hose Retainer |
| 14 | 8533957 | Screw, 10-16 x 1/2 |
| 15 | W10137698 | Shield, Drive Motor (Includes Item 16) |
| 16 | 8565172 | Tube, Buffer (Set Of 4) |
| 17 | 8565170 | Stator, Motor (Includes Item 18) |
| 18 | 8557836 | Plate, Stator (Set Of 2) |
| 19 | 8534042 | Screw, 1/4-20 x .968 |
| 20 | W10178988 | RPS Assembly |
| 21 | 8565177 | Rotor, Main Drive Motor (Includes Item 22) |
| 22 | | Bolt, Rotor Assembly Non-Serviceable (Supplied W/Rotor) |
| 23 | 8533928 | Screw, 8-18 X 3/4 |
| 24 | W10222008 | Filter, Dual Pump Hood |
| 25 | W10119266 | Screw, 8-18 x 3/4 |
| 26 | W10134571 | Clip, Tub Heater |
| 27 | W10121071 | Heater, Tub |
| 28 | W10140727 | Cover, Tub Heater |
| 29 | 8533943 | Screw, 10-16 x 3/4 |
| 30 | W10205824 | Absorber, Impact |

FOR ORDERING INFORMATION REFER TO PARTS PRICE LIST

PUMP PARTS

FOR MODEL: WTW7990XG0
(Cosmetallic)



| Illus. No. | Part No. | DESCRIPTION |
|------------|-----------|-----------------------------|
| 1 | W10155921 | Pump Assembly, Drain |
| 2 | W10236686 | Hose, Drain |
| 3 | 8543774 | Hose, Recirc |
| 4 | W10049400 | Pump Assembly, Recirc |
| 5 | W10004910 | Screw, 12-16 x 1-1/8 |
| 6 | 370449 | Clamp, Hose |
| 7 | 8269146 | Clamp, Hose |
| 8 | 8317496 | Clamp, Hose |
| 9 | 8182771 | Grommet, Pump Mounting |
| 10 | 8534021 | Clamp, Recirc Hose Retainer |
| 11 | 8533943 | Screw, 10-16 x 3/4 |
| 12 | 8182768 | Clamp, Drain Pump Hose |
| 13 | 8576642 | Retainer, Drain Hose |
| 14 | W10339879 | Cable Tie |
| 15 | 8182769 | Hose, Recirc Pump |
| 16 | 8182770 | Clamp, Recirc Pump Hose |
| 17 | 8182767 | Hose, Drain Pump |
| 18 | 8578572 | Shield, Recirc Pump |

FOR ORDERING INFORMATION REFER TO PARTS PRICE LIST

OPTIONAL PARTS (NOT INCLUDED)

FOR MODEL: WTW7990XG0
(Cosmetallic)

| Illus. No. | Part No. | DESCRIPTION | Illus. No. | Part No. | DESCRIPTION | Illus. No. | Part No. | DESCRIPTION |
|--|-----------|---|------------------------|----------|--|-------------------------------|-----------|---|
| <u>PAINT, TOUCH-UP (1/2oz.)</u> | | | <u>SEALER</u> | | | <u>ACCESSORY PARTS</u> | | |
| | W10318650 | Cosmetallic | | 285195 | Sealer, Gasket (.20 Fl. Oz.) (6 ml) | | W10135699 | Affresh Odor Remover |
| <u>WATER SYSTEM PARTS</u> | | | <u>COUPLING</u> | | | | 8212546RP | Inlet Hoses, 4 Ft. (Two Black Hoses W/Straight Ends & 4 Rubber Washers) |
| | 285442 | Connector Kit, Plastic Drain Hose | | 384496 | Coupling, Hose | | 8212641RP | Inlet Hoses, 5 Ft. (Two Black Hoses W/Straight Ends & 4 Rubber Washers) |
| | 285321 | Sleeve Kit, (Contains 2 Sleeves) | | | | | 8212545RP | Inlet Hoses, 5 Ft. (One Red Hose & One Blue Hose W/Straight Ends & 4 Rubber Washers) |
| | 285320 | Siphon Break Kit | | | | | 8212487RP | Inlet Hoses, 5 Ft. (Two Braided Hoses W/Straight Ends & 4 Rubber Washers) |
| | 367031 | Drain Protector | | | | | 8212637RP | Inlet Hoses, 6 Ft. (Two Black Hoses W/One Straight End & One 90 Degree End & 4 Rubber Washers) |
| | | | | | | | 8212638RP | Inlet Hoses, 6 Ft. (Two Braided Hoses W/One Straight End & One 90 Degree End & 4 Rubber Washers) |
| | | | | | | | 285448A | Hose Washers (Package of 4) |
| | | | | | | | 285452A | Hose Screen (Package of 2) |

FOR ORDERING INFORMATION REFER TO PARTS PRICE LIST