

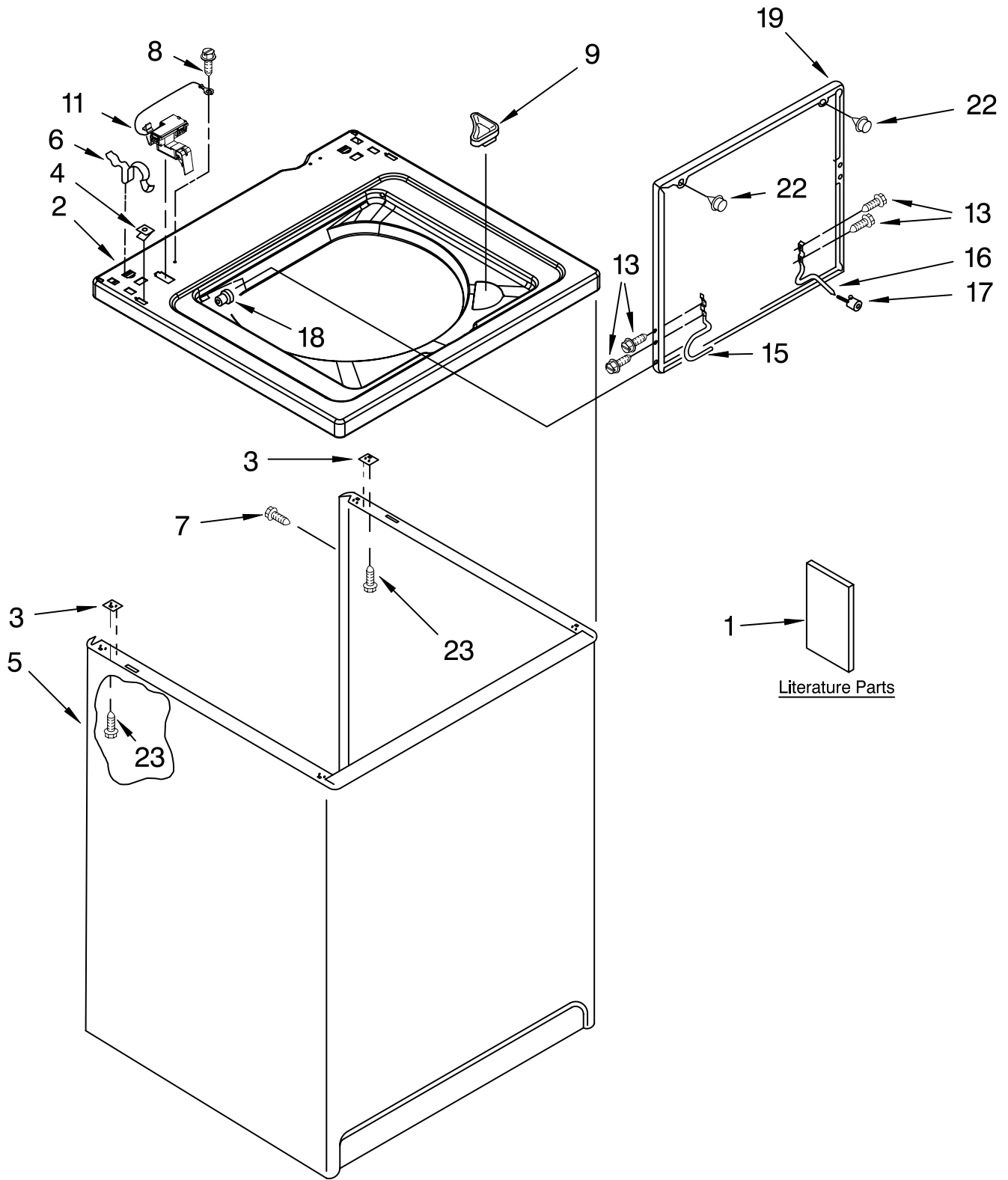


TOP AND CABINET PARTS

For Model: ETW4300SQ1

(White)

AUTOMATIC
WASHER



FOR ORDERING INFORMATION REFER TO PARTS PRICE LIST

TOP AND CABINET PARTS

For Model: ETW4300SQ1

(White)

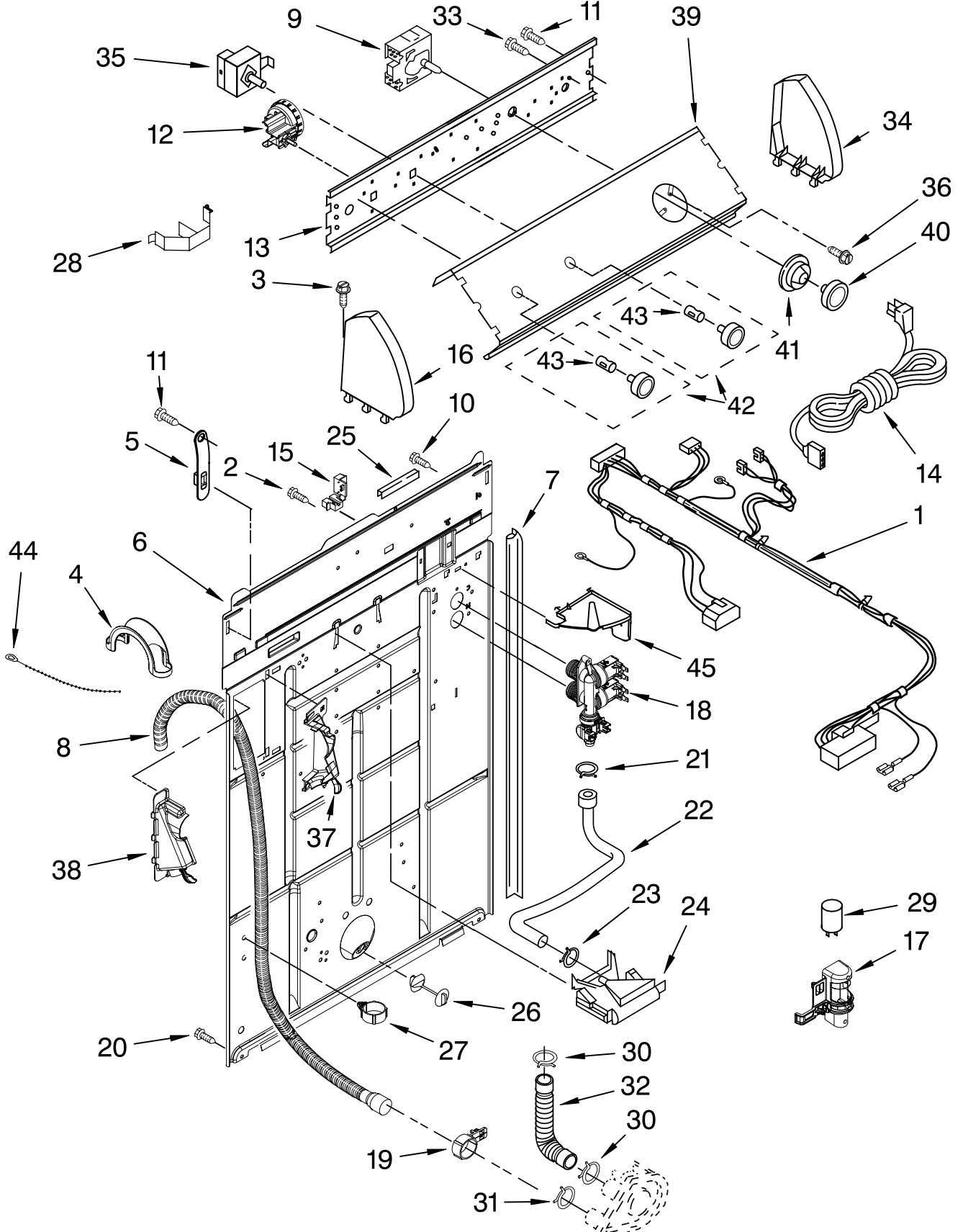
Illus. No.	Part No.	DESCRIPTION
1		Literature Parts
	W10112488	Installation Instructions
	3957878	Feature Sheet
	3955886	Use & Care Guide
	W10023560	Energy Guide
	8578912	Wiring Diagram
2	8318064	Top
3	62750	Spacer, Cabinet To Top (4)
4	357213	Nut, Push-In (2)
5	63424	Cabinet
6	62780	Clip, Top & Cabinet & Rear Panel (2)
7	3357011	Screw, 10-16 x 1/2
8	3351614	Screw, Ground
9	3362952	Dispenser, Bleach
11	8318084	Switch, Lid
13	3351355	Screw, Lid Hinge Mounting (4)
15	8318088	Hinge, Lid (L.H.)
16	54583	Hinge, Lid (R.H.)
17	19119	Bumper, Lid Hinge
18	21258	Bearing, Lid Hinge (2)
19	8580061	Lid
22	9724509	Bumper, Lid (2)
23	3390631	Screw 10-16 X 3/8 (4)

FOR ORDERING INFORMATION REFER TO PARTS PRICE LIST

CONTROLS AND REAR PANEL PARTS

For Model: ETW4300SQ1

(White)



FOR ORDERING INFORMATION REFER TO PARTS PRICE LIST

CONTROLS AND REAR PANEL PARTS

For Model: ETW4300SQ1

(White)

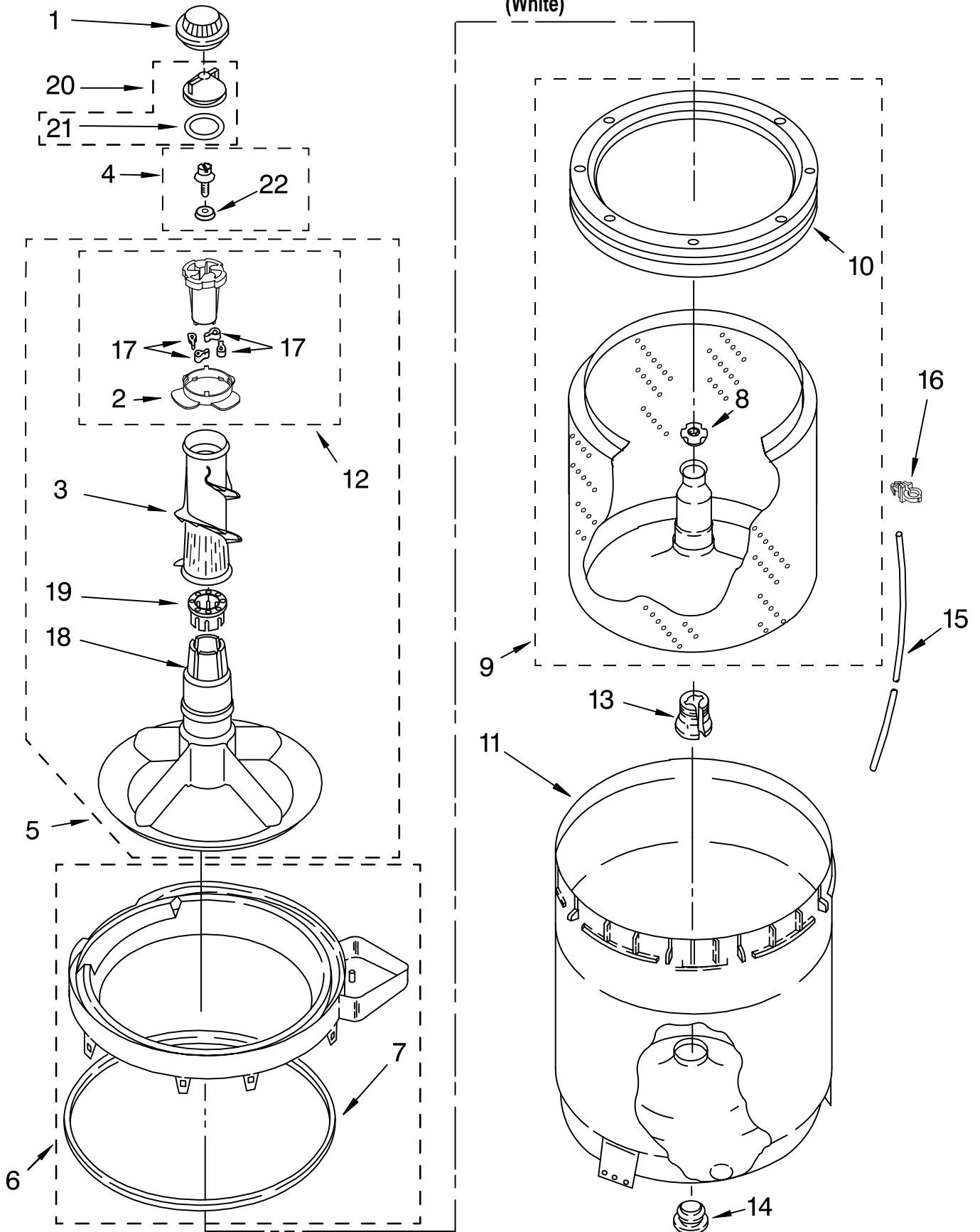
Illus. No.	Part No.	DESCRIPTION	Illus. No.	Part No.	DESCRIPTION	Illus. No.	Part No.	DESCRIPTION
1	3958082	Harness, Wiring (For Detail See Pages 9 & 10)	15	3952821	Strain Relief, Power Cord	32	3951449	Hose, Pump To Tub (Includes Item 30)
2	9740848	Screw, 8-18 x 1/2	16	8274437	Cap, End (L.H.)	33	3400073	Screw, Ground
3	388326	Screw, 8-18 x 1.25 (Panel To Top)	17	8318046	Clip, Capacitor	34	8274434	Cap, End (R.H.)
4	8577378	U-Bend, Drain Hose	18	8578340	Valve, Water Inlet W/Bi-Metal	35	8578337	Switch, Water Temperature
5	8568314	Strap, Console (2)	19	8541668	Clamp, Hose	36	3400818	Screw, Timer Mounting
6	8318015	Panel, Rear	20	62863	Screw, 10-16 x 3/8	37	8541669	Bucket, Drain Hose (Left Half)
7	62747	Pad, Rear Panel	21	301958	Clamp, Hose	38	8541658	Bucket, Drain Hose (Right Half)
8	8559373	Drain Hose Assembly (Includes Items 19 & 27)	22	8317974	Hose, Vacuum Break	39	3956998	Panel, Console
9	8572976	Timer, Control (60 Hz.) (Motor Not A Service Part)	23	370450	Clamp, Hose	40	8538949	Knob, Timer
10	3351614	Screw, Ground	24	387606	Break, Vacuum	41	8538955	Dial, Timer
11	90767	Screw, 8-18 x 3/8	25	303294	Edge Protector	42	8538957	Knob, Control
12	8577844	Switch, Water Level	26	8519200	Support, Rear Panel	43	8536939	Clip, Knob
13	3948608	Bracket, Control	27	8541667	Clamp, Hose	44	3347868	Cable Tie
14	8578842	Cord, Power (Includes Item 15)	28	8055003	Clip, Harness & Pressure Hose	45	8539874	Shield, Suds
			29	8572717	Capacitor, Motor Start			
			30	3363366	Clamp, Hose			
			31	8317496	Clamp, Hose			

FOR ORDERING INFORMATION REFER TO PARTS PRICE LIST

AGITATOR, BASKET AND TUB PARTS

For Model: ETW4300SQ1

(White)



FOR ORDERING INFORMATION REFER TO PARTS PRICE LIST

AGITATOR, BASKET AND TUB PARTS

For Model: ETW4300SQ1

(White)

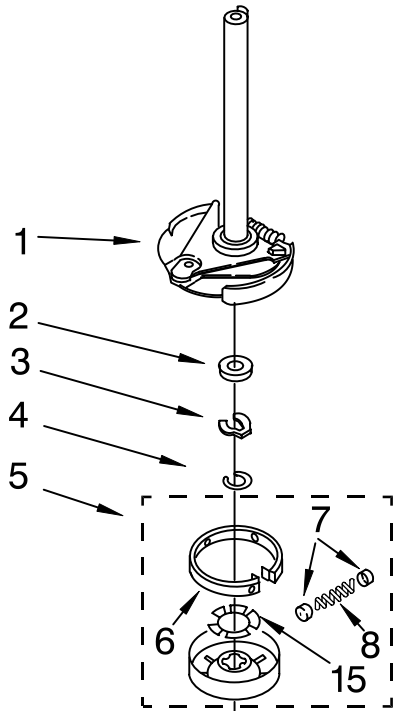
Illus.	Part	
No.	No.	DESCRIPTION
1	3355758	Cap, Agitator
2	3363661	Bearing-Driven Cam
3	3348752	Clothes Mover
4	358237	Screw & Washer
5	3348117	Agitator(Complete)
6	8528150	Tub Ring
7	3976308	Gasket, Tub Ring
8	21366	Nut, Spanner
9	8526017	Basket & Balance Ring
10	8519788	Balance Ring
11	63849	Tub
12	3363663	Cam Driven
13	389140	Block, Drive
14	383727	Gasket, Centerpost
15	3347780	Hose, Pressure Switch
16	2219077	Clip, Pressure Switch Hose
17	3366877	Dog, Agitator Cltch
18	3347288	Agitator
19	3350389	Spacer, Thrust
20	3354733	Cap, Barrier
21	3348855	Seal, Inner Cap
22	3949550	Washer

FOR ORDERING INFORMATION REFER TO PARTS PRICE LIST

BRAKE, CLUTCH, GEARCASE, MOTOR AND PUMP PARTS

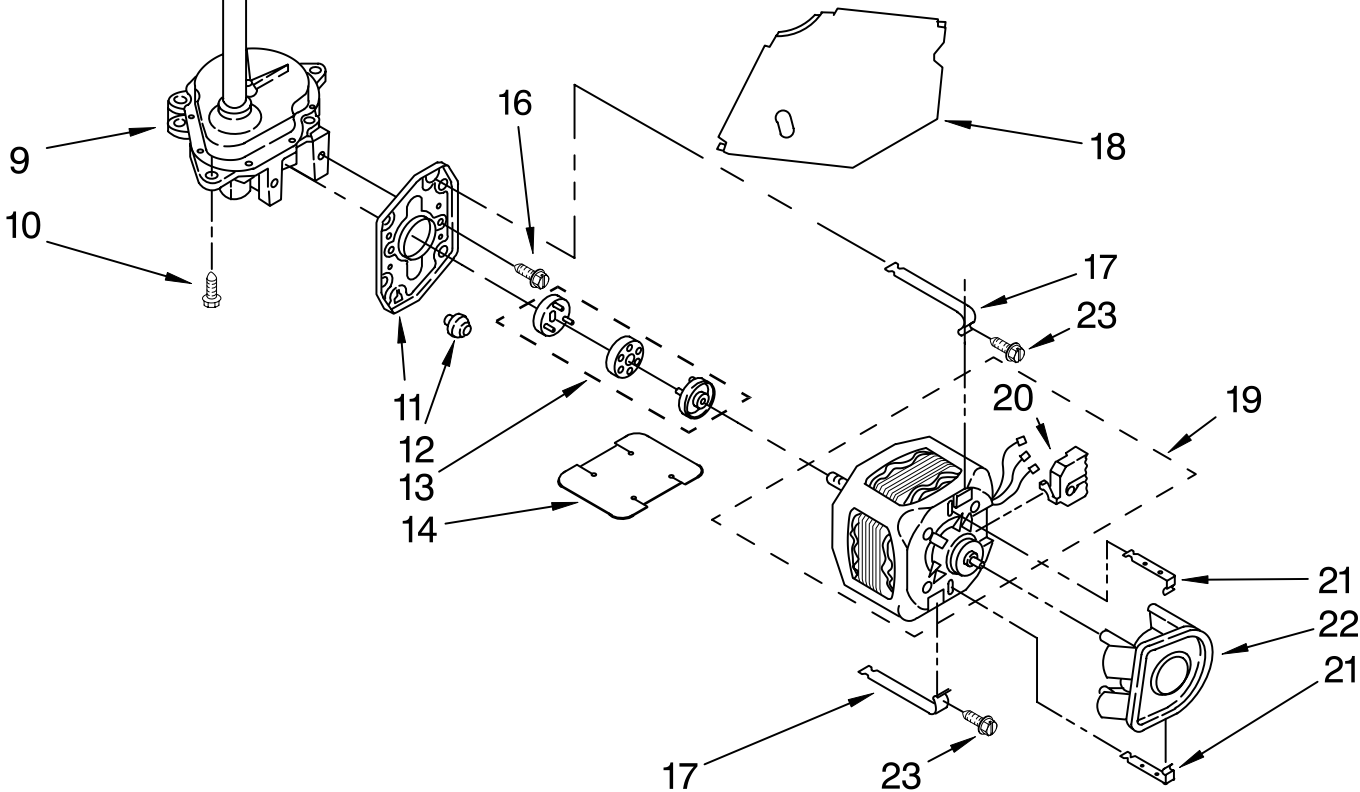
For Model: ETW4300SQ1

(White)



Illus. No.	Part No.	DESCRIPTION
1	388952	Brake & Drive Tube (Complete) (Refer to Page 11 For Further Breakdown)
2	63292	Washer, Spin Tube Thrust
3	62697	Ring, Spin Tube Support
4	63283	Ring, Retainer
5	3951311	Clutch (Complete)
6	3951308	Band & Lining, Clutch (Includes Items 7 & 8)
7	62646	Cap, Clutch Spring (2)
8	3946792	Spring, Clutch
9	3360630	Gearcase (Complete) (Refer To Page 12 For Further Breakdown)
10	3357334	Screw, Gearcase To Base (3)

Illus. No.	Part No.	DESCRIPTION
11	62611	Plate, Motor Mount To Gearcase
12	62691	Grommet, Motor (4)
13	8559748	Coupling, Motor And Isolation
14	3946532	Shield, Motor
15	3355454	Clip, Anti-Rattle
16	3400516	Screw
17	3349637	Retainer, Motor (2)
18	3362089	Shield, Tub To Motor
19	8528158	Motor, Main Drive (Spring P/N 388492 Must Be Ordered When Replacing Motor)
20	3952056	Switch, Main Drive Motor
21	8546127	Retainer, Pump (2)
22	3363394	Pump (Complete)
23	3387485	Screw, 10-16 x 5/8

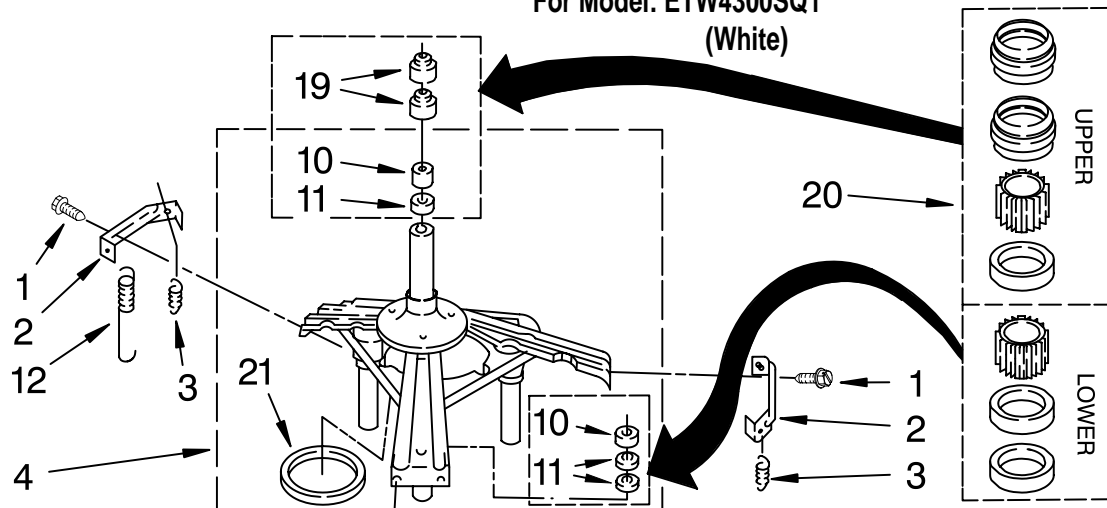


FOR ORDERING INFORMATION REFER TO PARTS PRICE LIST

MACHINE BASE PARTS

For Model: ETW4300SQ1

(White)



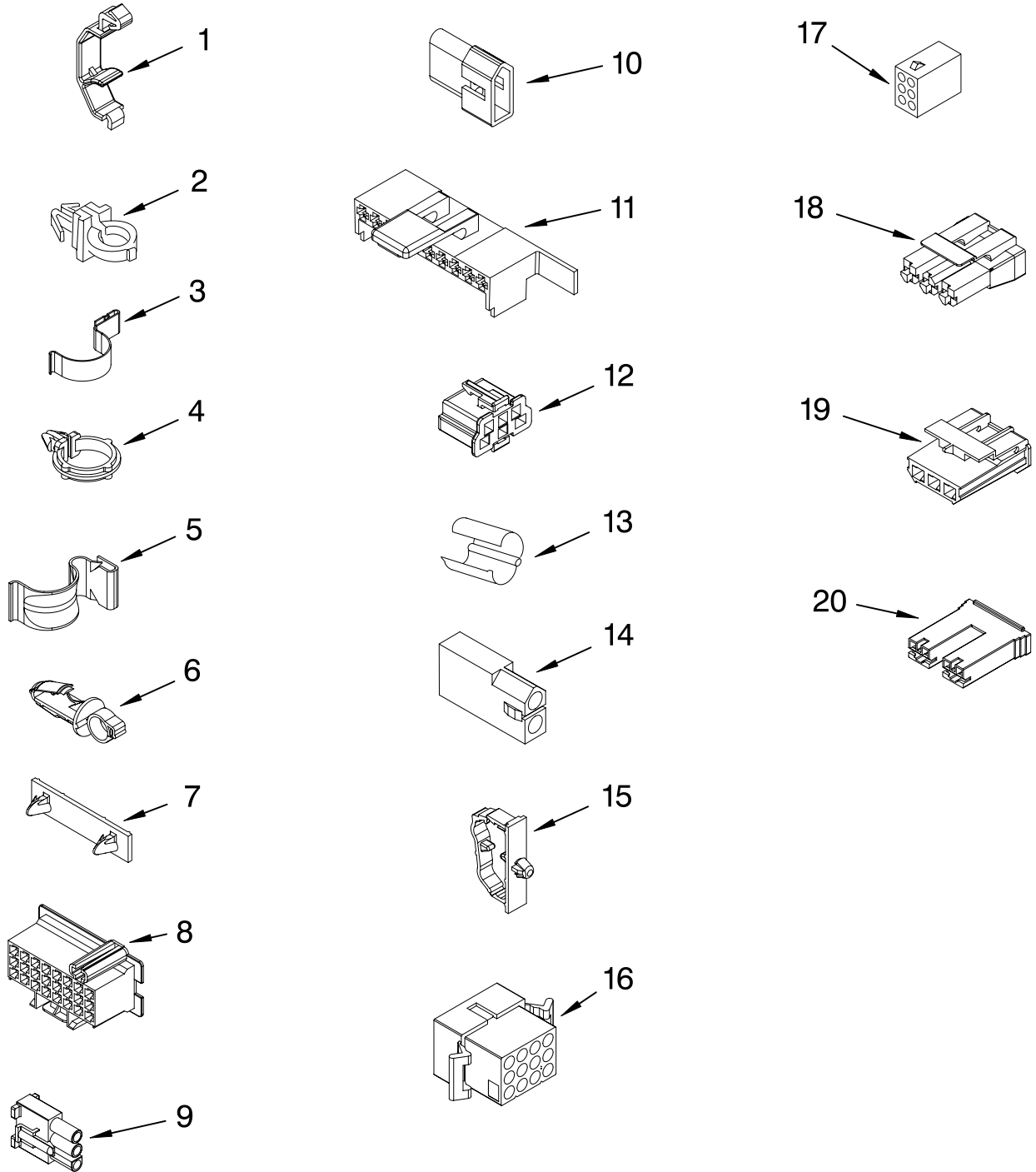
Illus. No.	Part No.	DESCRIPTION
1	3400076	Screw, Bracket Mounting (10-32 x 5/8)
2	64067	Bracket, Spring Outer (2)
3	63907	Spring, Suspension (3)
4	8575214	Support & Brake, Tub
5	64065	Bracket, Spring Outer (L.F.)
6	63466	Link, Leveling Mechanism (2)
7	62597	Spring, Leveling Mechanism
8	62837	Pin, Knurled
9	62596	Foot, Rear (2)
10	8546455	Bearing, Centerpost (2)
11	357409	Seal, Centerpost (3)
12	8534035	Spring, Counterweight (Must Be Ordered When Replacing Drive Motor)
13	62568	Pad, Plate
14	3946509	Plate, Suspension (Includes Item 13)
15	3363660	Pad, Base
16	3946512	Base Assembly (Includes Items 6, 7, 8, 9, 13, 14, 15 & 22)
17	3359452	Nut, Lock (2) (3/8-16)
18	W10001130	Foot, Front (2)
19	8577376	Seal, Centerpost
20	285203	Centerpost Bearing Kit (Includes Items 10, 11 & 19)
21	63134	Ring, Sound Deadening
22	63806	Retainer, Suspension Spring

FOR ORDERING INFORMATION REFER TO PARTS PRICE LIST

WIRING HARNESS PARTS

For Model: ETW4300SQ1

(White)



WH2J

FOR ORDERING INFORMATION REFER TO PARTS PRICE LIST

WIRING HARNESS PARTS

For Model: ETW4300SQ1

(White)

Illus. No.	Part No.	DESCRIPTION	Illus. No.	Part No.	DESCRIPTION	Illus. No.	Part No.	DESCRIPTION
1	3349557	Retainer, Harness	9	62889	Receptacle, Terminal	16	3390423	Block, Disconnect (12-Way)
2	388498	Clip, Harness			(3-Way)	17	3347730	Receptacle (6-Way)
3	3347812	Clip, Harness	10	353424	Plug, Terminal (3-Way)	18	3948617	Connector (T.P.A.) (3-Circuit)
4	3352501	Clip, Harness (Push-In)	11	62505	Block, Disconnect (Motor 2 Speed)	19	3360056	Plug (T.P.A.) (3-Circuit)
5	90016	Clip, Harness (Half-Harness)	12	3347243	Block, Disconnect	20		Block, Connector
6	3390496	Clip, Harness	13	63523	Protector		3354925	Natural
7	389379	Retainer, Harness	14	717252	Connector (2-Way)		3354926	Red
8		Timer, Block Disconnect	15	3352944	Clip, Harness			
	3948614	Natural						
	352089	Black						

**FOR COMPLETE WIRING HARNESS REFER TO
CONTROL AND REAR PANEL PARTS PAGE**

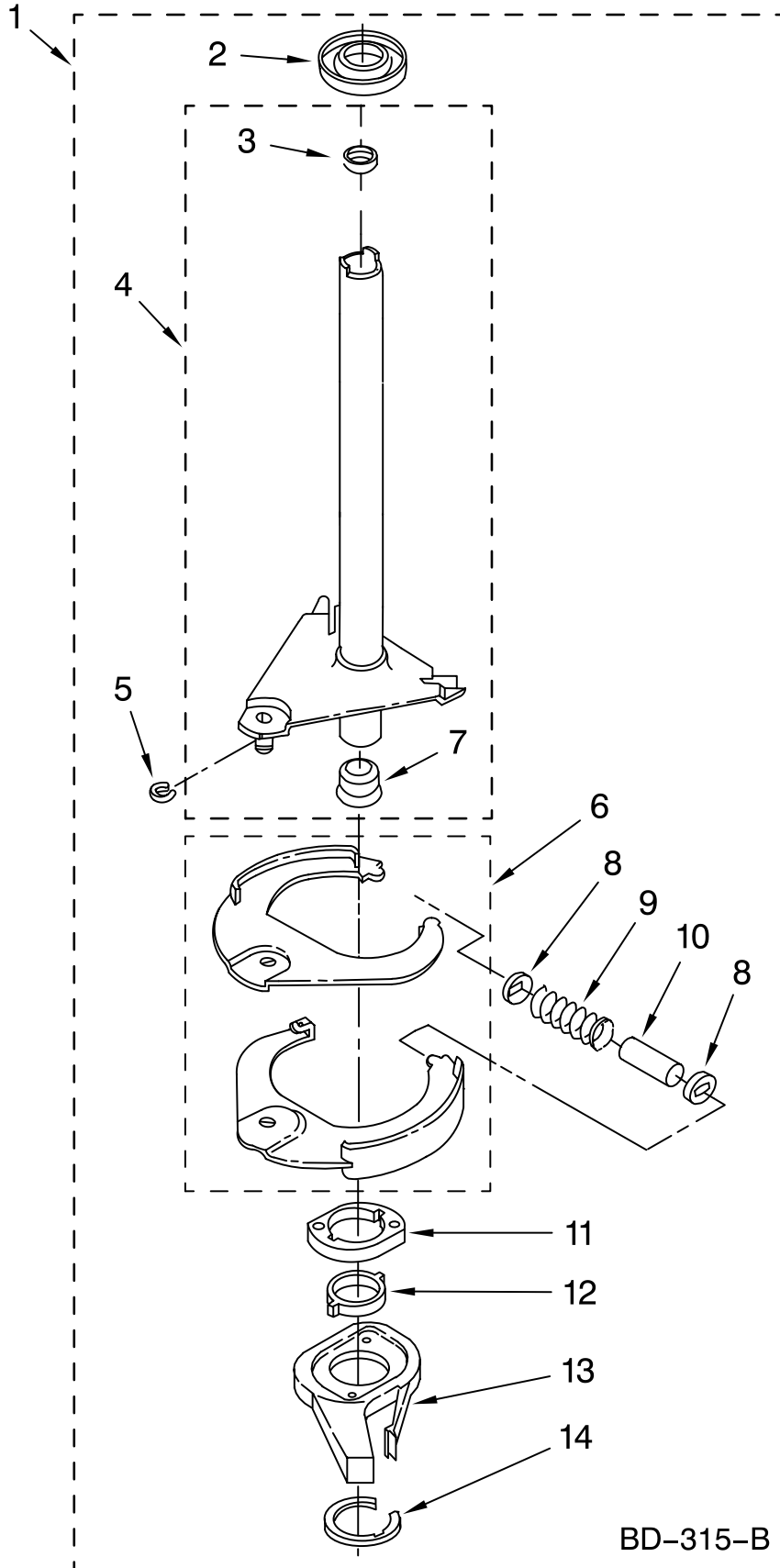
WH2J

FOR ORDERING INFORMATION REFER TO PARTS PRICE LIST

BRAKE AND DRIVE TUBE PARTS

For Model: ETW4300SQ1

(White)



Illus. No.	Part No.	DESCRIPTION
------------	----------	-------------

1	388952	Brake And Drive Tube (Complete)
2	62658	Ring, Thrust
3	356427	Seal, Drive Tube
4	64027	Tube, Basket Drive (Includes Illus. 3, 4, 5 & 9)
5	64035	Ring, Retaining
6	64232	Shoe, Brake (2)
7	62703	"T" Bearing, Spin Tube
8	3353956	Cap, Brake Spring (2)
9	387806	Spring, Brake
10	3355360	Sleeve, Brake Spring
11	661516	Cam, Brake Release
12	63022	Sleeve, Cam
13	64194	Driver, Brake Cam
14	90368	Ring, Retaining

FOLLOWING PARTS NOT ILLUSTRATED

285208 Lubricant (Use Only In Brake Shoe Assembly On Roller & Pin)

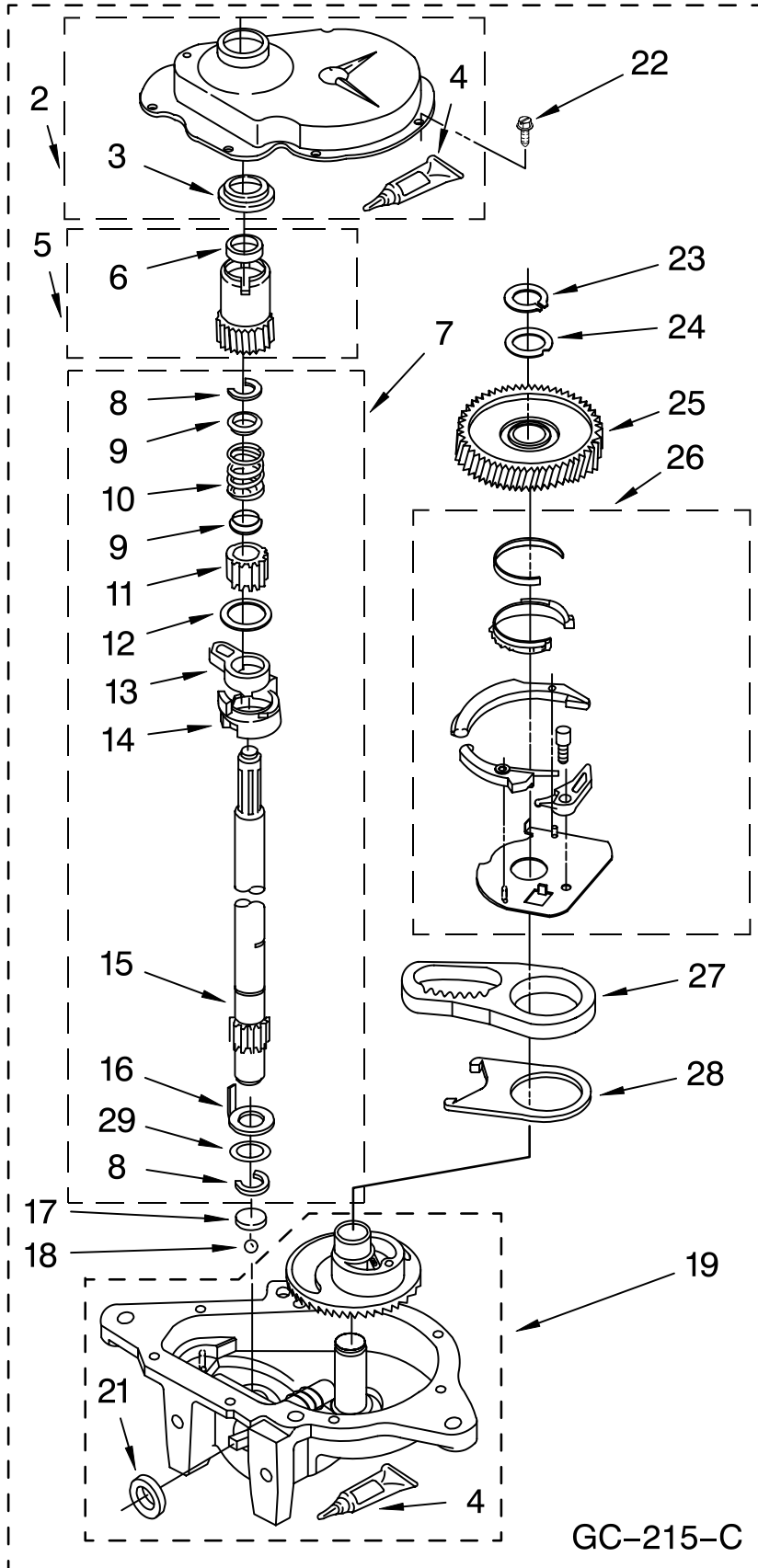
BD-315-B

FOR ORDERING INFORMATION REFER TO PARTS PRICE LIST

GEARCASE PARTS

For Model: ETW4300SQ1

(White)



Illus. No.	Part No.	DESCRIPTION
1	3360630	Gearcase (Complete)
2	285202	Cover, Gearcase
3	3349985	Seal, Gearcase Cover
4	285195	Sealer, Gasket (.20 Fl. Oz.) (6 ml)
5	63320	Pinion, Spin (Includes Illus. 25)
6	356427	Seal, Spin Pinion
7	389387	Shaft, Agitator (Complete)
8	90369	Ring, Retaining (2)
9	62677	Retainer, Spring
10	62676	Spring, Agitate
11	63273	Gear, Agitate (Includes 15 and 29)
12	62619	Washer, Agitate Gear
13	62580	Cam Follower (Includes 14)
14	62581	Cam, Agitate (Includes 13)
15	285509	Shaft, Agitator (Includes 11 and 29)
16	62618	Washer, Cam Thrust
17	16018	Bearing, Thrust
18	85529	Ball, Bearing
19	389230	Bottom and Pinion, Gearcase
21	285352	Seal, Thrust Plug
22	3351614	Screw, Gearcase Cover, Mounting (8) (10-24 x 3/8)
23	3362552	Ring, Retaining
24	285735	Washer Kit, Thrust
25	62570	Gear, Spin
26	388253	Neutral Assembly
27	3349296	Rack, Connecting
28	62621	Actuator, Shift
29	388815	Washer, Intermediate

GC-215-C

FOR ORDERING INFORMATION REFER TO PARTS PRICE LIST

OPTIONAL PARTS (NOT INCLUDED)

For Model: ETW4300SQ1

(White)

Illus. No.	Part No.	DESCRIPTION	Illus. No.	Part No.	DESCRIPTION	Illus. No.	Part No.	DESCRIPTION
<u>PAINT, TOUCH-UP (1/2oz.)</u>			<u>SEALER</u>			<u>ACCESSORY PARTS</u>		
	72017	White		285195	Sealer, Gasket (.20 Fl. Oz.) (6 ml)		367031	Drain Protector
<u>PAINT, PRESSURIZED SPRAY (12 oz.)</u>							280129	Siphon Break Kit
	350938	Primer, Gray					280130	Drain Hose Adapter Kit
	350930	White					280131	Drain Hose Extension Kit
<u>PAINT, BULK (1 qt.)</u>							8212545RP	Inlet Hoses, 5 Ft. (One Red Hose & One Blue Hose W/Straight Ends)
	799344	White (Uncut)					8212546RP	Inlet Hoses, 4 Ft. (Two Black Hoses W/Straight Ends)
<u>OIL</u>							8212641RP	Inlet Hoses, 5 Ft. (Two Black Hoses W/Straight Ends)
	350572	Oil, Gearcase (16 Oz.)					8212487RP	Inlet Hoses, 5 Ft. (Two Stainless Steel Braided Hoses With Straight Ends)
<u>LUBRICANT</u>							8212637RP	Inlet Hoses, 6 Ft. (Two Black Hoses W/One Straight End & One 90 Degree End)
	285208	Lubricant (Use Only in Brake Shoe Assembly On Roller and Pin)					8212638RP	Inlet Hoses, 6 Ft. (Two Stainless Steel Braided Hoses With One Straight End & One 90 Degree End)
							285448	Hose Washer (Package of 4)
							285452	Hose Screen (Package of 2)

FOR ORDERING INFORMATION REFER TO PARTS PRICE LIST