

**CROSLEY®**

---

## **COMPACT AUTOMATIC WASHERS**

### **Use & Care Guide**

For questions about features, operation/performance parts, accessories or service, call: **1-800-253-1301**, or visit our website at [www.crosley.com](http://www.crosley.com).

---

## **LAVADORAS AUTOMÁTICAS COMPACTAS**

### **Manual de Uso y Cuidado**

Para consultas respecto a características, operación/desempeño, partes, accesorios o servicio técnico, llame al: **1-800-253-1301** o visite nuestra página de internet en [www.crosley.com](http://www.crosley.com)

---

## **LAVEUSES AUTOMATIQUES COMPACTES**

### **Guide d'utilisation et d'entretien**

Pour des questions relatives aux caractéristiques, au fonctionnement, aux pièces, aux accessoires ou au service technique, composez le **1-800-253-1301**

ou visitez notre site web à [www.crosley.com](http://www.crosley.com)

---

Table of Contents/Índice/Table des matières ..... 2

---

# TABLE OF CONTENTS

<b>WASHER SAFETY</b> .....	<b>3</b>
<b>INSTALLATION REQUIREMENTS</b> .....	<b>4</b>
Tools and Parts .....	4
Location Requirements .....	5
Electrical Requirements .....	5
Remove Shipping Material .....	6
<b>PERMANENT INSTALLATION INSTRUCTIONS</b> .....	<b>7</b>
Before You Start .....	7
Drain System .....	7
Connect Drain Hose .....	7
Connect the Inlet Hoses .....	8
Secure Drain Hose .....	9
Level the Washer .....	9
Complete Installation .....	9
<b>PORTABLE INSTALLATION INSTRUCTIONS</b> .....	<b>10</b>
Drain System .....	10
Connect Fill-And-Drain Hose .....	10
Attach Faucet Adapter Kit .....	10
Connect Washer .....	11
Complete Installation .....	11
Disconnect Washer .....	11
<b>WASHER USE</b> .....	<b>12</b>
Starting Your Washer .....	12
Cycles .....	13
Understanding Washer Cycles .....	14
Normal Sounds .....	14
<b>LAUNDRY TIPS</b> .....	<b>14</b>
Loading .....	14
<b>WASHER CARE</b> .....	<b>15</b>
Cleaning Your Washer .....	15
Water Inlet Hoses .....	15
Vacation, Storage, and Moving Care .....	15
<b>TROUBLESHOOTING</b> .....	<b>16</b>
<b>ASSISTANCE OR SERVICE</b> .....	<b>18</b>
<b>WARRANTY</b> .....	<b>19</b>

# ÍNDICE

<b>SEGURIDAD DE LA LAVADORA</b> .....	<b>20</b>
<b>REQUISITOS DE INSTALACIÓN</b> .....	<b>21</b>
Piezas y Herramientas .....	21
Requisitos de ubicación .....	22
Requisitos eléctricos .....	23
Quite el material de transporte .....	24
<b>INSTRUCCIONES PARA LA INSTALACIÓN PERMANENTE</b> .....	<b>24</b>
Antes de empezar .....	24
Sistema de desagüe .....	24
Conecte la manguera de desagüe .....	25
Conecte las mangueras de entrada .....	26
Cómo asegurar la manguera de desagüe .....	26
Nivele la lavadora .....	27
Complete la instalación .....	27
<b>INSTRUCCIONES PARA LA INSTALACIÓN PORTÁTIL</b> .....	<b>28</b>
Sistema de desagüe .....	28
Conecte la manguera de llenado y desagüe .....	28
Afiance el juego adaptador del grifo .....	29

Conecte la lavadora .....	29
Complete la instalación .....	29
Desconecte la lavadora .....	29
<b>USO DE LA LAVADORA</b> .....	<b>30</b>
Puesta en marcha de la lavadora .....	30
Ciclos .....	32
Para comprender los ciclos de la lavadora .....	32
Sonidos normales .....	32
<b>CONSEJOS DE LAVANDERÍA</b> .....	<b>33</b>
Cómo cargar .....	33
<b>CUIDADO DE LA LAVADORA</b> .....	<b>34</b>
Limpieza de su lavadora .....	34
Mangueras de entrada de agua .....	34
Cuidado para las vacaciones, almacenaje o en caso de mudanza .....	34
<b>SOLUCIÓN DE PROBLEMAS</b> .....	<b>35</b>
<b>AYUDA O SERVICIO TÉCNICO</b> .....	<b>37</b>
<b>GARANTÍA</b> .....	<b>38</b>

# TABLE DES MATIÈRES

<b>SÉCURITÉ DE LA LAVEUSE</b> .....	<b>39</b>
<b>EXIGENCES D'INSTALLATION</b> .....	<b>40</b>
Outillage et pièces .....	40
Exigences de l'emplacement d'installation .....	41
Spécifications électriques .....	42
Élimination du matériel d'expédition .....	42
<b>INSTRUCTIONS D'INSTALLATION PERMANENTE</b> .....	<b>43</b>
Avant de commencer .....	43
Système de vidange .....	43
Raccordement du tuyau de vidange .....	44
Raccordement des tuyaux d'arrivée d'eau .....	44
Immobilisation du tuyau de vidange .....	45
Réglage de l'aplomb de la laveuse .....	45
Achever l'installation .....	46
<b>INSTRUCTIONS POUR L'INSTALLATION PORTATIVE</b> .....	<b>46</b>
Système de vidange .....	46
Connexion du tuyau de remplissage et de vidange .....	46
Fixation de la trousse d'adaptateur de robinet .....	47
Connecter la laveuse .....	47
Achever l'installation .....	48
Déconnecter la laveuse .....	48
<b>UTILISATION DE LA LAVEUSE</b> .....	<b>49</b>
Mise en marche de la laveuse .....	49
Programmes .....	50
Compréhension des programmes de la laveuse .....	51
Sons normaux .....	51
<b>CONSEILS DE LESSIVAGE</b> .....	<b>51</b>
Chargement .....	51
<b>ENTRETIEN DE LA LAVEUSE</b> .....	<b>52</b>
Nettoyage de la laveuse .....	52
Tuyaux flexibles d'alimentation de la laveuse .....	52
Préparation avant les vacances, un entreposage ou un déménagement .....	52
<b>DÉPANNAGE</b> .....	<b>53</b>
<b>ASSISTANCE OU SERVICE</b> .....	<b>55</b>
<b>GARANTIE</b> .....	<b>56</b>

# WASHER SAFETY

## Your safety and the safety of others are very important.

We have provided many important safety messages in this manual and on your appliance. Always read and obey all safety messages.



This is the safety alert symbol.

This symbol alerts you to potential hazards that can kill or hurt you and others.

All safety messages will follow the safety alert symbol and either the word “DANGER” or “WARNING.”

These words mean:

 **DANGER**

**You can be killed or seriously injured if you don't immediately follow instructions.**

 **WARNING**

**You can be killed or seriously injured if you don't follow instructions.**

All safety messages will tell you what the potential hazard is, tell you how to reduce the chance of injury, and tell you what can happen if the instructions are not followed.

## IMPORTANT SAFETY INSTRUCTIONS

**WARNING:** To reduce the risk of fire, electric shock, or injury to persons when using the washer, follow basic precautions, including the following:

- Read all instructions before using the washer.
- Do not wash articles that have been previously cleaned in, washed in, soaked in, or spotted with gasoline, dry-cleaning solvents, other flammable, or explosive substances as they give off vapors that could ignite or explode.
- Do not add gasoline, dry-cleaning solvents, or other flammable, or explosive substances to the wash water. These substances give off vapors that could ignite or explode.
- Under certain conditions, hydrogen gas may be produced in a hot water system that has not been used for 2 weeks or more. HYDROGEN GAS IS EXPLOSIVE. If the hot water system has not been used for such a period, before using the washing machine, turn on all hot water faucets and let the water flow from each for several minutes. This will release any accumulated hydrogen gas. As the gas is flammable, do not smoke or use an open flame during this time.
- Do not allow children to play on or in the washer. Close supervision of children is necessary when the washer is used near children.
- Before the washer is removed from service or discarded, remove the door or lid.
- Do not reach into the washer if the drum, tub or agitator is moving.
- Do not install or store the washer where it will be exposed to the weather.
- Do not tamper with controls.
- Do not repair or replace any part of the washer or attempt any servicing unless specifically recommended in this manual or in published user-repair instructions that you understand and have the skills to carry out.
- See “Electrical Requirements” for grounding instructions.

**SAVE THESE INSTRUCTIONS**

# INSTALLATION REQUIREMENTS

## Tools and Parts

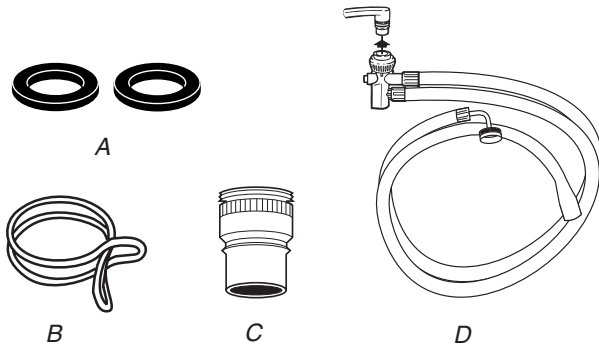
Assemble the necessary tools and supplies before beginning the washer installation. The parts supplied are in the washer basket.

### Portable Installation

#### Tools needed:

- Pliers that open to 1 $\frac{1}{16}$ " (3.95 cm)
- Utility knife
- Flashlight (optional)

#### Parts supplied:



- A. Flat washers for faucet adapter and fill hose
- B. Silver, double-wire hose clamp (for the bottom of the drain hose)
- C. Faucet adapter
- D. Fill-and-drain hose

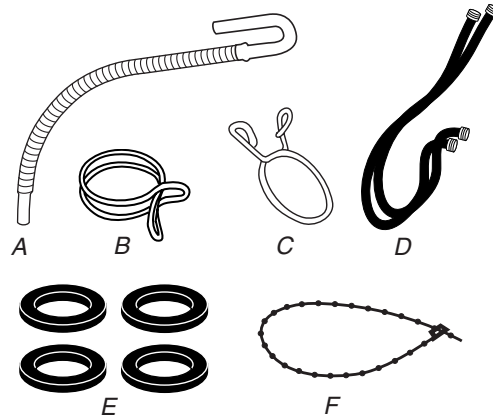
**NOTE:** To change a permanent installation to a portable installation, a kit is required. To order, call the dealer from whom you purchased your washer or refer to the "Assistance or Service" section of this manual. Ask for Part Number 3935674.

### Permanent Installation

#### Tools needed:

- Pliers that open to 1 $\frac{1}{16}$ " (3.95 cm)
- Flashlight (optional)
- Adjustable or open end wrench  $\frac{9}{16}$ " (14 mm)
- Level
- Wood block
- Utility knife
- Measuring tape

#### Parts supplied:



- A. Drain hose
- B. Silver, double-wire hose clamp (for the bottom of the drain hose)
- C. Yellow, single-wire hose clamp (for the top of the drain hose)
- D. Water inlet hoses (2)
- E. Flat water inlet hose washers (4)
- F. Beaded tie strap

**NOTE:** To change a portable installation to a permanent installation, a kit is required. To order, call the dealer from whom you purchased your washer or refer to the "Assistance or Service" section of this manual. Ask for Part Number 4396746.

#### Alternate Parts

Your installation may require additional parts. For ordering information, please refer to the "Assistance or Service" section of this manual.

If You Have:	You Will Need to Buy:
Laundry tub or standpipe taller than 72" (183 cm)	Sump pump system (if not already available)
1" (2.5 cm) diameter standpipe	2" (5 cm) diameter to 1" (2.5 cm) diameter standpipe adapter, Part No. 3363920
Overhead sewer	Standard 20 gal. (76 L) 39" (99 cm) tall drain tub or utility sink, sump pump and connectors (available from local plumbing suppliers)
Floor drain	Siphon break, Part Number 285320; additional drain hose, Part Number 3357090 and connector kit, Part Number 285442
Water faucets beyond reach of fill hoses	2 longer water fill hoses: 6 ft (1.8 m) Part Number 76314, 10 ft (3.0 m) Part Number 350008
Drain hose too short	Drain hose, Part No. 388423 and hose kit, Part No. 285442
Drain hose that is too long	Hose kit, Part No. 285442
Lint clogged drain	Drain protector, Part No. 367031

## Location Requirements

Selecting the proper location for your washer improves performance and minimizes noise and possible washer “walk.”

Your washer can be installed in a basement, laundry room, closet, or recessed area. See “Drain System.”

**IMPORTANT:** Do not install or store the washer where it will be exposed to the weather.

Proper installation is your responsibility.

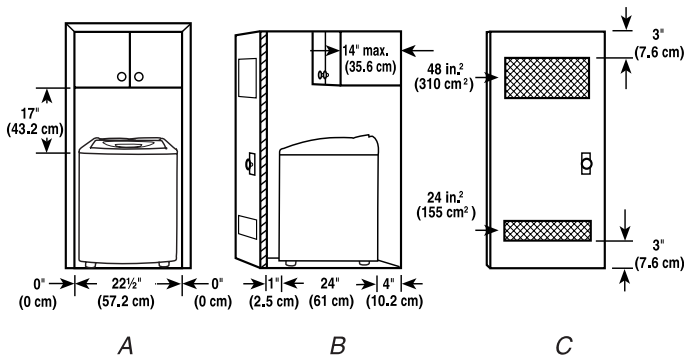
### You will need:

- A water heater set to deliver 120°F (49°C) water to the washer.
- A grounded electrical outlet located within 5 ft (1.5 m) of where the power cord is attached to the back of the washer. See “Electrical Requirements.”
- Hot and cold water faucets located within 3½ ft (1.1 m) of the hot and cold water fill valves, and water pressure of 5-100 psi (34.5-690 kPa).
- A level floor with a maximum slope of ¼" (1.9 cm) under entire washer. Installing the washer on carpeting is not recommended.
- A sturdy floor to support the washer weight (washer, water and load) of 260 lbs (118 kg).

Do not store or operate your washer in temperatures at or below 32°F (0°C). Some water can remain in the washer and can cause damage in low temperatures. See “Washer Care” for winterizing information.

### Recessed area or closet installation

The dimensions shown are for the recommended spacing allowed, except the closet door ventilation openings. The dimensions shown for the closet door ventilation openings are the minimum required.



A. Front view  
B. Side view  
C. Closet door with vents

- Additional spacing should be considered for ease of installation and servicing.
- Additional clearances may be required for wall, door and floor moldings.
- Additional spacing of 1" (2.5 cm) on all sides of the washer is recommended to reduce noise transfer.
- If a closet door is installed, the minimum air openings in the top and bottom of the door are required. Louvered doors with air openings in the top and bottom are acceptable.
- Companion appliance spacing should also be considered.

## Electrical Requirements

### ⚠ WARNING



#### Electrical Shock Hazard

**Plug into a grounded 3 prong outlet.**

**Do not remove ground prong.**

**Do not use an adapter.**

**Do not use an extension cord.**

**Failure to follow these instructions can result in death, fire, or electrical shock.**

- A 120-volt, 60-Hz., AC-only, 15- or 20-amp, fused electrical supply is required. A time-delay fuse or circuit breaker is recommended. It is recommended that a separate circuit serving only this appliance be provided.
- This washer is equipped with a power supply cord having a 3 prong grounding plug.
- To minimize possible shock hazard, the cord must be plugged into a mating, 3 prong, grounding-type outlet, grounded in accordance with local codes and ordinances. If a mating outlet is not available, it is the personal responsibility and obligation of the customer to have the properly grounded outlet installed by a qualified electrician.

- If codes permit and a separate ground wire is used, it is recommended that a qualified electrician determine that the ground path is adequate.
- Do not ground to a gas pipe.
- Check with a qualified electrician if you are not sure the washer is properly grounded.
- Do not have a fuse in the neutral or ground circuit.

### GROUNDING INSTRUCTIONS

#### For a grounded, cord-connected washer:

This washer must be grounded. In the event of a malfunction or breakdown, grounding will reduce the risk of electrical shock by providing a path of least resistance for electric current. This washer is equipped with a cord having an equipment-grounding conductor and a grounding plug. The plug must be plugged into an appropriate outlet that is properly installed and grounded in accordance with all local codes and ordinances.

**WARNING:** Improper connection of the equipment-grounding conductor can result in a risk of electric shock. Check with a qualified electrician or serviceman if you are in doubt as to whether the appliance is properly grounded.

Do not modify the plug provided with the appliance – if it will not fit the outlet, have a proper outlet installed by a qualified electrician.

#### For a permanently connected washer:

This washer must be connected to a grounded metal, permanent wiring system, or an equipment grounding conductor must be run with the circuit conductors and connected to the equipment-grounding terminal or lead on the appliance.

## Remove Shipping Material

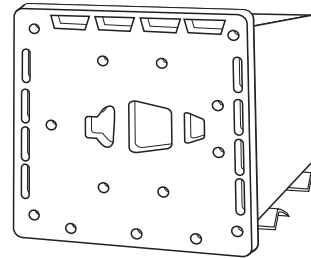
Before you install your washer, remove all shipping material.

### **! WARNING**

#### Excessive Weight Hazard

**Use two or more people to move and install washer.  
Failure to do so can result in back or other injury.**

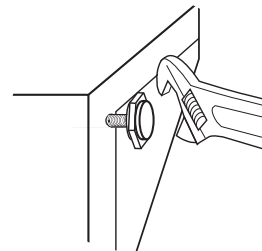
1. To protect the floor, place two corner posts from the shipping material on the floor in back of the washer.
2. Firmly grasp the body of the washer and gently lay it on the corner posts.



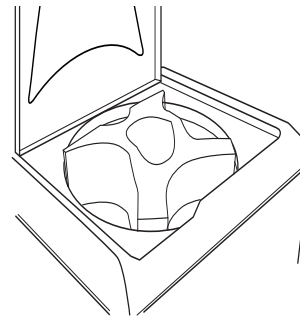
3. Remove plastic foam packaging from under washer.

#### For Permanently Installed Compact Washers Only:

Use an adjustable wrench to turn the washer legs out approximately  $\frac{3}{4}$ " (1.9 cm). This is the recommended setting. Later adjustment may be needed.



4. Stand the washer up.
5. Remove tape from washer lid. Open washer lid and remove foam shipping piece, parts bag and hoses from washer basket. Remove tags from dispenser drawer. Close the lid.



# PERMANENT INSTALLATION INSTRUCTIONS

## Before You Start

### **⚠ WARNING**

#### **Excessive Weight Hazard**

**Use two or more people to move and install washer.  
Failure to do so can result in back or other injury.**

- To prevent floor damage, set the washer onto cardboard before moving across floor.
- Move the washer to within approximately 3 ft (90 cm) of the final location.

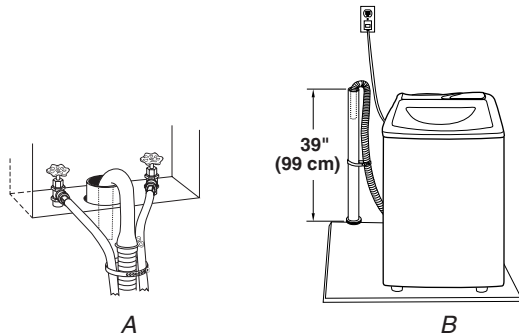
## Drain System

The washer can be installed using the standpipe drain system (floor or wall), the laundry tub drain system, or the floor drain system. Select the drain hose installation method you need. See "Tools and Parts."

### Standpipe drain system - wall or floor (views A & B)

The standpipe drain requires a minimum diameter standpipe of 2" (5 cm). The minimum carry-away capacity (for permanent installations) can be no less than 13 gal. (49.2 L) per minute. A 2" (5 cm) diameter to 1" (2.5 cm) diameter standpipe adapter kit is available. See "Tools and Parts."

The top of the standpipe must be at least 39" (99 cm) high and no higher than 72" (183 cm) from the bottom of the washer.



### Laundry tub drain system (view C)

The laundry tub requires a minimum carry-away capacity of 13 gal. (49.2 L) per minute (for permanent installations).

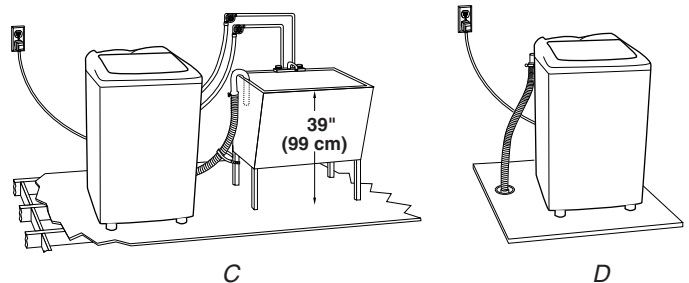
The top of the laundry tub must be at least 39" (99 cm) above the floor and no higher than 72" (183 cm) from the bottom of the washer.

### Floor drain system (view D)

The floor drain system requires a siphon break that may be purchased separately. See "Tools and Parts."

The siphon break must be a minimum of 28" (71 cm) from the bottom of the washer. Additional hoses might be needed.

The minimum carry-away capacity (for permanent installations) can be no less than 13 gal. (49.2 L) per minute.

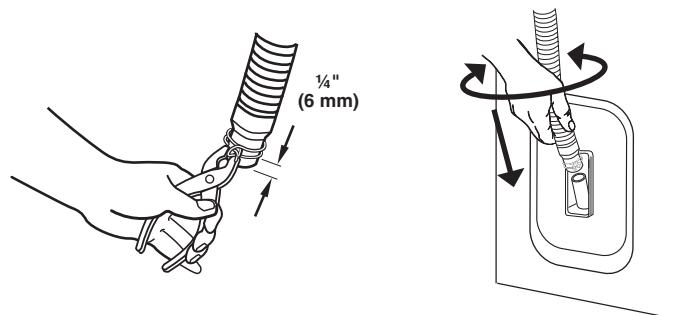


## Connect Drain Hose

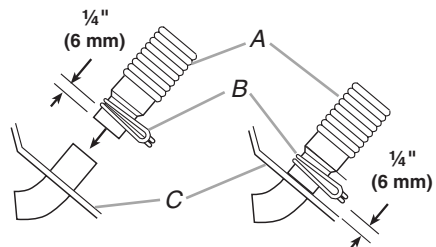
Proper connection of the drain hose will protect your floors from damage due to water leakage. To prevent the drain hose from coming off or leaking, it must be installed according to the following instructions.

**IMPORTANT:** To ensure proper installation, this procedure must be followed exactly.

1. Check the drain hose to see that it is the proper length.
2. Wet the inside of the straight end of the drain hose with tap water.  
**IMPORTANT:** Do not use any lubricant other than water.
3. Squeeze ears of double-wire clamp with pliers to open. Place clamp over the straight end of the drain hose 1/4" (6 mm) from the end. Twist hose back and forth while pushing down onto drain connector at the bottom of the washer. Continue until hose contacts the cabinet.



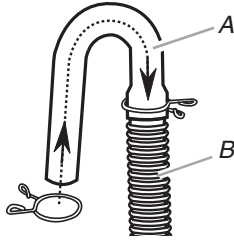
4. Place clamp over area marked "CLAMP." Release clamp.



A. Drain hose  
B. Clamp  
C. Cabinet

### For standpipe or laundry tub drain systems:

1. Open yellow, single-wire clamp with pliers and slide over hooked end of drain hose to secure the rubber and corrugated sections together.

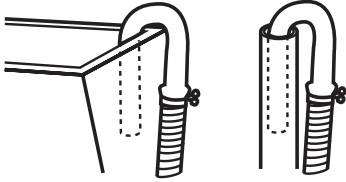


A. Hooked end  
B. Drain hose

2. Put hooked end of drain hose into laundry tub or standpipe. Rotate hook to eliminate kinks in the hose.

#### To prevent drain water from going back into the washer:

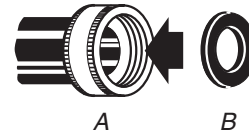
- Do not straighten hooked end of drain hose. Do not force excess drain hose into standpipe. Hose should be secure, but loose enough to provide a gap of air.
- Do not lay excess drain hose in bottom of laundry tub.



- For floor drain installation, see kit number required under "Tools and Parts."

## Connect the Inlet Hoses

1. Insert new flat washers (supplied) into each end of the inlet hoses. Firmly seat the washers in the couplings.

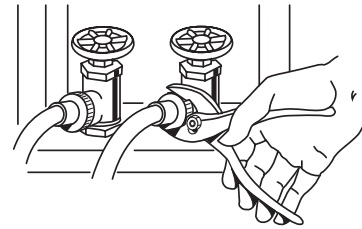


A. Coupling  
B. Washer

### Connect the inlet hoses to the water faucets

Make sure the washer basket is empty.

2. Attach the hose with the red coupling to the hot water faucet. Screw on coupling by hand until seated on the washer.
3. Attach the hose with the blue coupling to the cold water faucet. Screw on coupling by hand until seated on the washer.
4. Using pliers, tighten the couplings with an additional two-thirds turn.



**NOTE:** Do not overtighten. Damage to the valves can result.

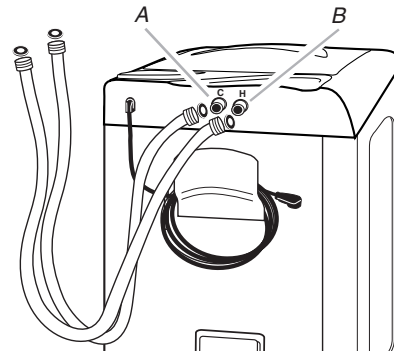
### Clear the water lines

5. Run water through both faucets and inlet hoses, into a bucket or laundry tub, to get rid of particles in the water lines that might clog the inlet valve screens.

### Connect the inlet hoses to the washer

6. Attach the hose with the red coupling to the HOT (right) inlet valve. Attaching the red coupling first makes it easier to tighten connection with pliers. Screw on coupling by hand until it is seated on the washer. Using pliers, tighten the couplings with an additional two-thirds turn.

**NOTE:** Do not overtighten. Damage to the valves can result.



A. Cold water inlet valve (blue)  
B. Hot water inlet valve (red)



- Attach the hose with the blue coupling to the COLD water (left) inlet valve. Screw on coupling by hand until it is seated on the washer. Using pliers, tighten the couplings with an additional two-thirds turn.

**NOTE:** Do not overtighten. Damage to the valves can result.

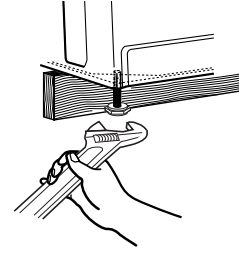
### Check for leaks

- Turn on the water faucets and check for leaks. A small amount of water might enter the washer. You will drain this later.

**NOTE:** Replace inlet hoses after 5 years of use to reduce the risk of hose failure. Record hose installation or replacement dates for future reference.

- If you connect only one water hose, you must cap off the remaining water inlet port.
- Periodically inspect and replace hoses if bulges, kinks, cuts, wear, or leaks are found.

- If the washer is not level, prop up the front of the washer with the wood block and adjust the feet up or down as necessary. If the washer is against a wall, move the washer out slightly before tipping back. Repeat this step until washer is level.



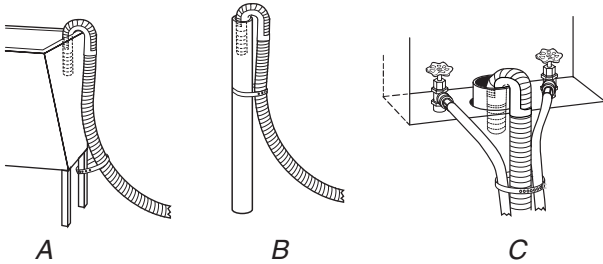
### Secure Drain Hose

- Drape the power cord over the console.
- Move the washer to its final location and remove any cardboard used to move washer.
- Locate the beaded tie strap (supplied).



*Beaded Tie Strap*

- Wrap the drain hose to the laundry tub leg or standpipe with the tie strap. (See illustrations A and B.)



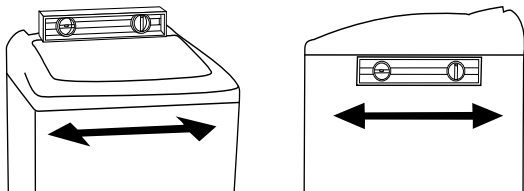
If the washer faucets and the drain standpipe are recessed, put the hooked end of the drain hose in the standpipe. (See illustration C.) Tightly wrap the tie strap around the water inlet hoses and the drain hose.

Do not force excess drain hose back into the rear of the washer.

### Level the Washer

Properly leveling your washer prevents excessive noise and vibration.

- Move washer to final location.
- Check that the washer is level.
  - Check side to side and front to back by lining up the level as shown in the following illustration.



### Complete Installation

- Check the electrical requirements. Be sure that you have the correct electrical supply and the recommended grounding method. See "Electrical Requirements."
- Check to be sure all parts are now installed. If there is an extra part, go back through the steps to see which step was skipped.
- Check to be sure you have all of your tools.
- Dispose of/recycle all packaging materials. Keep the expanded foam plug for use if the washer should be transported.
- Check to be sure the water faucets are on.
- Check for leaks around faucets and inlet hoses.

### **⚠ WARNING**



#### Electrical Shock Hazard

**Plug into a grounded 3 prong outlet.**

**Do not remove ground prong.**

**Do not use an adapter.**

**Do not use an extension cord.**

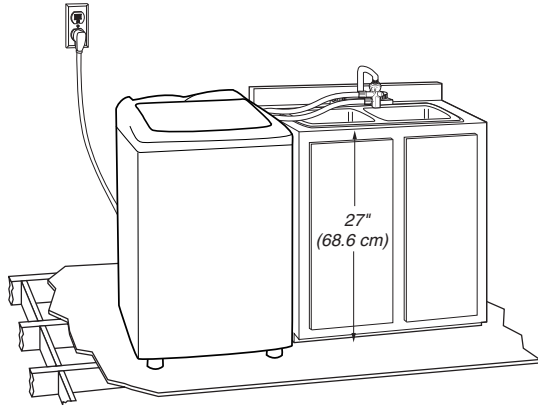
**Failure to follow these instructions can result in death, fire, or electrical shock.**

- Plug into a grounded 3 prong outlet.
- Read "Washer Use."
- To test your washer, measure and add ½ the normal recommended amount of detergent to the washer. Close the lid. Select any cycle, and then press START/OFF. Allow it to complete one whole cycle.

# PORTABLE INSTALLATION INSTRUCTIONS

## Drain System

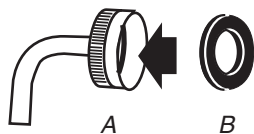
The washer must drain into a sink or laundry tub with a carry-away capacity of 7 gal. (26.6 L) per minute (for portable installations). The top of the tub must be at least 27" (68.6 cm) above floor and no higher than 48" (121.9 cm) from the bottom of the washer.



## Connect Fill-And-Drain Hose

Proper connection of the fill-and-drain hose will protect your floors from damage due to water leakage.

Insert new flat washer (supplied) into the end of the inlet hose. Firmly seat the washer in the coupling.



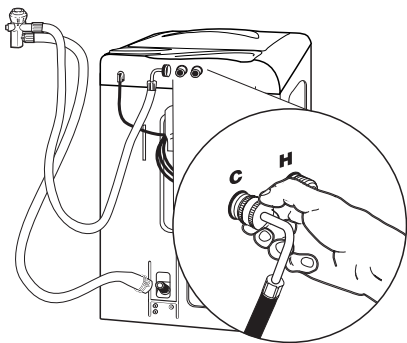
A. Coupling  
B. Washer

## Connect Fill Hose

Attach the fill-and-drain hose to the cold water (left) inlet valve. Tighten coupling by hand. Use pliers to make an additional two-thirds turn.

**NOTE:** Do not overtighten. Damage to the valves can result.

Hot water (right) inlet valve is capped. Leave this valve capped.

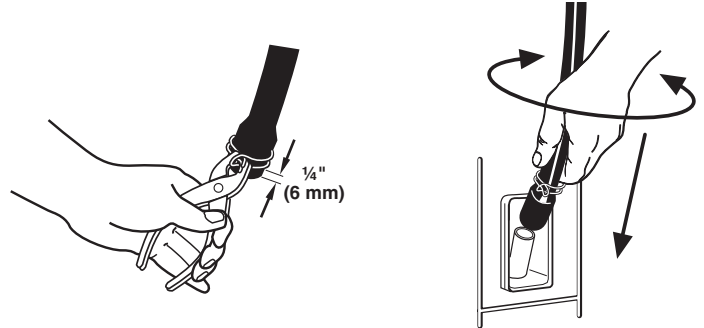


## Connect Drain Hose

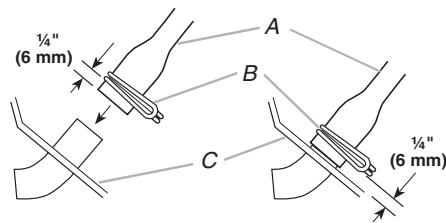
To prevent the fill-and-drain hose from leaking, it must be installed according to the following instructions.

**IMPORTANT:** To ensure proper installation, this procedure must be followed exactly.

1. Wet inside end of the fill-and-drain hose with tap water.  
**IMPORTANT:** Do not use any lubricant other than water.
2. Squeeze ears of double-wire clamp with pliers to open. Place clamp over the straight end of the drain hose  $\frac{1}{4}$ " (6 mm) from the end. Twist hose back and forth while pushing down onto drain connector at the bottom of the washer. Continue until hose contacts the cabinet.



3. Place clamp over area marked "CLAMP." Release clamp.

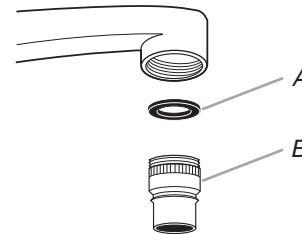


A. Drain hose  
B. Clamp  
C. Cabinet

## Attach Faucet Adapter Kit

Proper connection of your faucet adapter kit will allow hot and cold water to enter your washer properly. It also helps prevent water damage due to leaks.

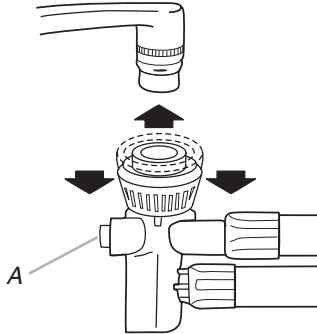
Attach the faucet adapter kit from the parts bag to your faucet. A standard faucet adapter and washer are supplied. Customized adapters are available from traditional plumbing supply sources.



A. Washer  
B. Adapter

## Connect Washer

1. Roll washer to sink area. It rolls forward and backward on wheels. The wheels do not roll from side to side. Be sure your washer is on a level floor to help avoid movement during spin.
2. Attach fill-and-drain hose connector to a single-spout hot/cold water faucet. Move the locking collar down while lifting the connector until it snaps into place.



A. Red water-flow button

3. Set the WASH/RINSE TEMPERATURE setting on your washer to COLD/COLD.
4. Set the water temperature for the wash cycle by adjusting the Hot and Cold water faucets.

To test the water, press the red water-flow button on the hose connector.

**NOTE:** If desired, you can change the water temperature for the rinse cycle by adjusting the Hot and Cold water faucets. Keep the Wash/Rinse Temperature setting on your washer set at Cold/Cold.

## Complete Installation

1. Check the electrical requirements. Be sure that you have the correct electrical supply and the recommended grounding method. See “Electrical Requirements.”
2. Check to be sure all parts are now installed. If there is an extra part, go back through the steps to see which step was skipped.
3. Check to be sure you have all of your tools.
4. Dispose of/recycle all packaging materials.
5. Check to be sure the water faucets are on.
6. Check for leaks around faucets and inlet hoses.

**NOTE:** If the washer is attached to a faucet equipped with a spray hose, the constant water pressure may cause the spray hose to leak. To prevent possible failure, the spray hose should be disconnected or replaced with a high-pressure hose.

## ⚠ WARNING



### Electrical Shock Hazard

Plug into a grounded 3 prong outlet.

Do not remove ground prong.

Do not use an adapter.

Do not use an extension cord.

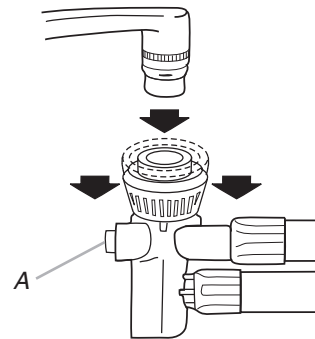
Failure to follow these instructions can result in death, fire, or electrical shock.

7. Plug into a grounded 3 prong outlet.
8. Read “Washer Use.”
9. To test your washer, measure and add ½ the normal recommended amount of detergent to the washer. Close the lid. Select any cycle, and then press START/OFF. Allow it to complete one whole cycle.

## Disconnect Washer

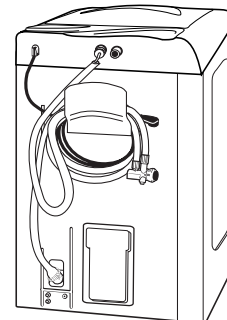
Disconnect portable washer after use and return to storage area.

1. Turn off water faucets.
2. Unplug the power cord.
3. Press the red water-flow button to release water pressure in the hose. Pull the locking collar down to remove the connector from the faucet.

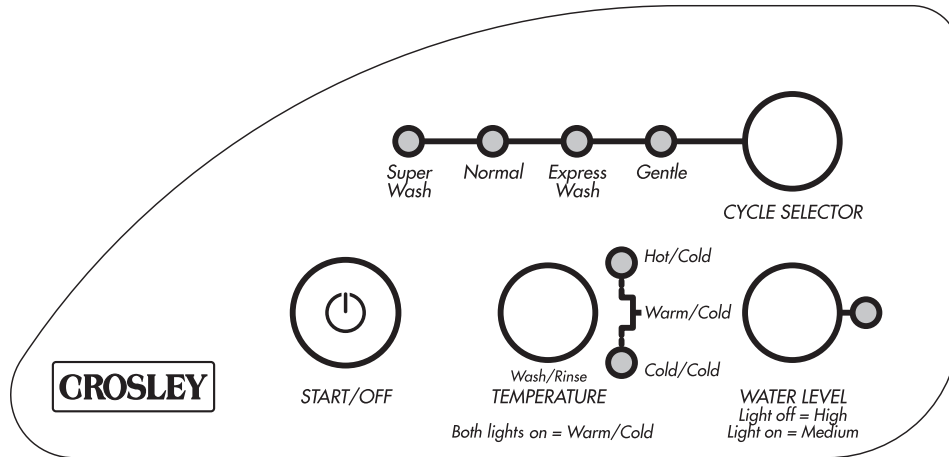


A. Red water-flow button

4. Pour water out of the faucet connector. Place fill-and-drain hose on the plastic holder in the back of the washer.



# WASHER USE



## Starting Your Washer

### ⚠ WARNING



#### Fire Hazard

Never place items in the washer that are dampened with gasoline or other flammable fluids.

No washer can completely remove oil.

Do not dry anything that has ever had any type of oil on it (including cooking oils).

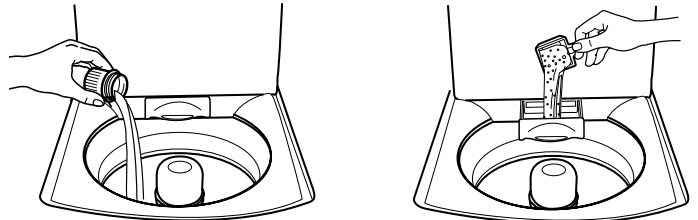
Doing so can result in death, explosion, or fire.

**WARNING:** To reduce the risk of fire, electric shock, or injury to persons, read the IMPORTANT SAFETY INSTRUCTIONS before operating this appliance.

The following is a guide to starting your washer. Periodic references to other sections of this manual provide more detailed information.

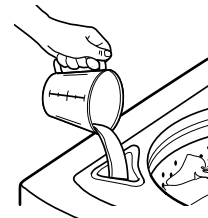
1. Add measured detergent. Add liquid detergent to the bottom of the washer or powdered detergent to the detergent dispenser drawer.

**NOTE:** If desired, powdered color-safe bleach can be added to the detergent dispenser with the powdered detergent. Liquid color-safe bleach should be added to the bottom of the washer basket.



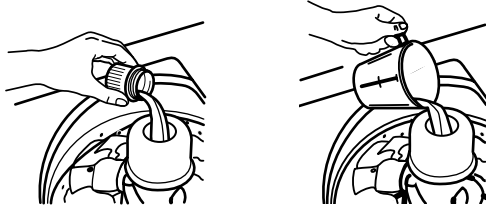
Drop a sorted load of clothes loosely into your washer.

- Load evenly to maintain washer balance. Mix large and small items.
  - Items should move easily through the wash water. Overloading can cause poor cleaning.
  - To reduce wrinkling of permanent press clothes and some synthetic knits, use the large load water level setting to provide more space (see Step 5).
2. (OPTIONAL STEP) Pour measured liquid chlorine bleach into the liquid chlorine bleach dispenser. Bleach will be dispensed automatically during the wash part of the cycle.



- Do not use more than 1 cup (250 mL) for a full load. Use less for a smaller load size.
- Follow the manufacturer's directions for proper use.
- To avoid spilling, use a cup with a pouring spout. Do not let bleach splash, drip, or run down into the washer basket.
- Use only liquid chlorine bleach in this dispenser.

- (OPTIONAL STEP) Pour measured liquid fabric softener into the liquid fabric softener dispenser. Softener is added automatically during the rinse portion of the cycle.



Dilute liquid fabric softener by filling the dispenser with warm water until liquid reaches the top line marked inside the dispenser.

- Do not spill or drip any fabric softener on the clothes.
- Use only liquid fabric softener in this dispenser.

**NOTE:** Do not wash clothes with the fabric softener dispenser removed.

- Close the washer lid. Washer will not fill, agitate or spin with the lid open.
- Press the WATER LEVEL button to select the correct setting for your wash load and the type of fabric being washed. For a medium load the indicator light is on, for a large load the light is off.
  - Choose a water level that allows the load to move freely for best fabric care. See “Loading.”
  - You may change the water level setting while the washer is filling. If you change from high to medium but the water has filled past medium, you will get medium with the next fill.
- Set the water temperature for the type of fabric and soils being washed. Use the warmest wash water safe for fabric. Follow garment label instructions.

#### For Portable Installations

Wash and rinse water temperatures are set at your faucet. The Wash/Rinse Temperature control does not set temperature.

Adjust the Hot and Cold water faucets to desired wash temperature. Keep the Wash/Rinse Temperature control set at COLD/COLD.

**NOTE:** The Cold/Cold setting allows water from the faucet to enter the washer, but does not control the incoming water temperature.

- For a rinse temperature that is different from the wash temperature, you must adjust the water temperature at the faucet after the washer has completed its initial fill.
- To test the water temperature, press the red water-flow button on the hose connector.

#### For Permanent Installations

Press the WASH/RINSE TEMPERATURE button to set the wash temperature. For a Hot wash the top light is on, for Cold the bottom light is on, for Warm both lights are on. All cycles use a cold rinse.

### Selecting Water Temperatures

Water Temp	Use for
Hot	Whites and pastels Heavy soils
Warm	Bright colors Moderate to light soils
Cold	Colors that bleed or fade Light soils

**NOTE:** In wash water temperatures colder than 70°F (21°C), detergents do not dissolve well. Soils can be difficult to remove. Some fabrics can retain wear wrinkles and have increased pilling (the formation of small lint-like balls on the surface of garments).

- Press the CYCLE SELECTOR button to select the wash cycle you want. See “Cycles.”
- Press START/OFF.

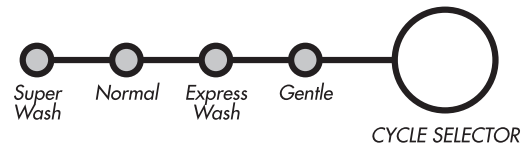
#### To stop or restart your washer

- To stop the washer at any time, lift the lid, cycle will pause.
- To restart the washer, close the lid, cycle will resume.

## Cycles

This section describes the available wash cycles and will help you make the best cycle selections for your wash loads. Each cycle is designed for different types of fabric and soil levels.

- The washer pauses briefly throughout each cycle. These pauses are normal. Refer to “Normal Sounds” to learn more about the sounds you may hear during a wash cycle.
- Refer to “Understanding Washer Cycles” to learn what happens during a wash cycle.



#### Super Wash

Use this cycle to get 16 minutes of wash time for sturdy or heavily soiled loads. Wash combines high-speed agitation and high-speed spin for maximum soil removal.

#### Normal

Use this cycle to get 12 minutes of wash time for normally soiled cottons and linens. Wash combines medium-speed agitation and high-speed spin to shorten drying time.

#### Express Wash

Use this cycle to get 6 minutes of wash time. Use for small loads of lightly soiled items that you need in a hurry. Wash combines high-speed agitation and high-speed spin to shorten drying time.










#### Gentle

Use this cycle to get 8 minutes of wash time for lingerie and loosely knit items. Wash combines low-speed agitation for gentle soil removal, and high-speed spin to shorten drying time.

## Understanding Washer Cycles

When a cycle is selected, the washer lid is closed, and Start/Off is pushed, the washer fills (to the selected load size) before agitation and timing start. The lid must be closed during operation. The washer will not fill, agitate or spin with the lid open.

**NOTE:** The washer pauses briefly throughout each cycle. These pauses are normal for washer operation.

WASH	RINSE
 1. Fill	 1. Fill
 2. Wash selected time	 2. Rinse
 3. Drain No agitation	 3. Drain No agitation
 4. Spin	 4. Spin
	 5. Off

## Normal Sounds

Your new washer may make sounds your old one didn't. Because the sounds might be unfamiliar, you may be concerned about them. These sounds are normal.

### During drain

If water is drained quickly from your washer (depending on your installation), you may hear air being pulled through the pump during the end of draining.

### After drain and before spin

When the cycle changes from draining to spinning, you may hear gears engaging.

## LAUNDRY TIPS

### Preparing clothes for washing

Follow these recommendations to help you prolong the life of your garments.

- Close zippers, snaps, and hooks to avoid snagging other items. Remove pins, buckles, and other hard objects to avoid scratching the washer interior. Remove non-washable trim and ornaments.

- Empty pockets and turn them inside-out.
- Turn down cuffs; brush away lint and dirt.
- Turn synthetic knits inside-out to avoid pilling.
- Tie strings and sashes so they will not tangle.
- Mend tears, loose hems, and seams.
- Treat spots and stains.
- Stained or wet garments should be washed promptly for best results.

### Sorting

- Separate heavily soiled items from lightly soiled ones, even if they would normally be washed together. Separate lint-givers (towels, chenille) from lint-takers (corduroy, synthetics, permanent press). When possible, turn lint-givers inside-out.
- Separate dark colors from light colors, colorfast items from noncolorfast items.
- Sort by fabric and construction (sturdy cottons, knits, delicate items).

### Unloading

- Remove clothes from washer after the cycle is completed. Metal objects such as zippers, snaps, and buckles may rust if left in the washer basket for a long time.

## Loading

### Loading suggestions

For these suggested full-sized loads, set the WATER LEVEL selector to the highest setting.

### COMPACT WASHERS

#### Heavy Work Clothes

2 pair pants  
3 work shirts

#### Knits

2 slacks  
2 shirts  
-or-  
3 dresses

#### Towels

9 bath towels  
-or-  
6 bath towels  
3 hand towels  
6 washcloths

#### Mixed Load

1 pair slacks  
2 pillowcases  
2 shirts  
1 T-shirt

#### Permanent Press

6 shirts  
-or-  
2 double sheets  
2 pillowcases  
-or-  
2 single sheets  
2 pillowcases

#### Delicates

1 camisole  
2 slips  
2 panties  
2 bras  
1 nightie  
1 half-slip

---

# WASHER CARE

---

## Cleaning Your Washer

### Cleaning the exterior

Use a soft, damp cloth or sponge to wipe up any spills such as detergent or bleach. Occasionally wipe the outside of your washer to keep it looking new.

### Cleaning the interior

Add 1 cup (250 mL) of chlorine bleach and 1 scoop or capful of detergent to the washer, and run it through a normal cycle using hot water. Repeat this process if necessary.

**NOTE:** Remove any hard water deposits using only cleaners labeled as washer safe.

### Cleaning the lint filter:

Clean filter after every load.

1. Grasp the top of the fabric softener dispenser and pull straight upward to remove. The lint filter is attached to the end of the shaft.
2. Wash or wipe the lint filter clean.
3. Push fabric softener dispenser and lint filter firmly back into agitator.

### Cleaning the liquid fabric softener dispenser:

Flush fabric softener dispenser periodically with warm water.

1. Grasp the top of the dispenser and pull upward to remove.
2. Flush the dispenser with warm water. Replace after cleaning.

**NOTE:** To avoid damage to the washer or clothing, do not wash clothes with the fabric softener dispenser removed. Do not add detergent or bleach to this dispenser; it is for liquid fabric softener only.

---

## Water Inlet Hoses

Replace inlet hoses after five years of use to reduce the risk of hose failure. Periodically inspect and replace inlet hoses if bulges, kinks, cuts, wear or leaks are found.

When replacing your inlet hoses, mark the date of replacement on the label with a permanent marker.

## Vacation, Storage, and Moving Care

Install and store your washer where it will not freeze. Because some water may stay in the hoses, freezing can damage your washer. If storing or moving your washer during freezing weather, winterize it.

### Non-use or vacation care:

Operate your washer only when you are at home. If you will be on vacation or not using your washer for an extended period of time, you should:

- Unplug washer or disconnect power.
- Turn off the water supply to the washer. This helps avoid accidental flooding (due to a water pressure surge) while you are away.

### To winterize washer:

1. Shut off both water faucets.
2. Disconnect and drain water inlet hoses.
3. Put 1 qt (1 L) of R.V.-type antifreeze in the basket.
4. Unplug washer or disconnect power.

### To use washer again:

1. Flush water pipes and hoses.
2. Reconnect water inlet hoses.
3. Turn on both water faucets.
4. Plug in washer or reconnect power.
5. Run the washer through any cycle with ½ the normal recommended amount of detergent to clean out the antifreeze.

### To transport the washer:

1. Shut off both water faucets.
2. Disconnect and drain water inlet hoses.
3. If washer will be moved during freezing weather, put in 1 qt (1 L) of R.V.-type antifreeze in the basket.
4. Disconnect the drain from the drain system.
5. Unplug the power cord.
6. Place the inlet hoses into the basket.
7. Drape the power cord and drain hose over edge into the basket.

### Reinstalling the washer

1. Follow the installation instructions for your model to locate, level and connect the washer.
2. Run the washer through any cycle with ½ the normal recommended amount of detergent to clean out the antifreeze, if used.

---

# TROUBLESHOOTING

First try the solutions suggested here and possibly avoid the cost of a service call...

---

## Washer won't fill, rinse or wash

---

- **Is the lid open?**  
The lid must be closed during operation. The washer will not fill, agitate or spin with the lid open.
- **Does the water level seem too low, or does the washer appear to not fill completely?**  
The top of the agitator is much higher than the highest water level. This creates a perception that the washer is not filling completely. This is normal.
- **Check the following:**  
Is the power cord plugged into a grounded 3 prong outlet?  
  
Is there power at the plug? Check electrical source or call electrician.  
  
Are the hot and cold water faucets turned on?  
  
Is the water inlet hose kinked?  
  
Are the water inlet valve screens clogged?

---

## Washer stops

---

- **Check the following:**  
Is the power cord plugged into a grounded 3 prong outlet?  
  
Are the hot and cold water faucets turned on?  
  
Is the water inlet hose kinked?  
  
Are the water inlet valve screens clogged?
- **Is there power at the plug?**  
Check electrical source or call electrician.
- **Has a fuse blown, or has the circuit breaker tripped?**  
If problem continues, call electrician.
- **Are you using an extension cord?**  
Do not use an extension cord.
- **Is the washer overloaded?**  
Wash smaller loads. See "Starting Your Washer" for maximum load size.
- **Is the lid open?**  
The lid must be closed during operation. The washer will not fill, agitate or spin with the lid open.

---

## Washer won't drain or spin

---

- **Is the drain hose clogged, or the end of the drain hose more than 72" (183 cm) above floor (48" [122 cm] for portable washers)?**  
Refer to the installation instructions for your model for proper installation of drain hose.
- **Is the lid open?**  
The lid must be closed during operation. The washer will not fill, agitate or spin with the lid open.
- **Is there excessive sudsing?**  
Always measure detergent. Follow manufacturer's directions. If you have very soft water, you may need to use less detergent.
- **Is your voltage low?**  
Check electrical source or call electrician. Do not use an extension cord.

---

## Washer continues to fill or drain, or the cycle seems stuck

---

- **Does the drain hose fit too tightly in the standpipe, or is it taped to the standpipe?**  
The drain hose should be loose yet fit securely. Do not seal the drain hose with tape. The hose needs an air gap. See "Permanent Installation Instructions."
- **Is the end of the drain hose less than 39" (99 cm) above the floor (27" [68.9 cm] for portable washers)?**  
Refer to the installation instructions for your model for proper installation of drain hose.

---

## Washer makes noise

---

- **Is the load balanced and the washer level?**  
The wash load should be balanced. See "Starting Your Washer" for maximum load size.  
  
The washer must be level. Refer to the installation instructions for your model.  
  
Can you hear water spraying? This is part of the wash action.  
  
If water is drained quickly from the washer, you may hear air being pulled through the pump. This happens during the end of draining. It is normal.  
  
When the cycle changes from washing to draining or spinning, you may hear a noise as the drive system shifts. This is normal.
- **Are you washing items with metal snaps, buckles or zippers?**  
You may hear metal items touching the basket. This is normal.
- **Are you washing a small load?**  
You will hear more splashing sounds when washing small loads. This is normal.
- **Is the washer installed on a solid floor?**  
Refer to your installation instructions for flooring requirements.

---

## Washer leaks

---

- **Check the following:**  
Are the fill hoses tight? Are the fill hose washers properly seated? Is the drain hose clamp or faucet adapter properly installed? Refer to the installation instructions for your model.
- **Is the sink or drain clogged?**  
Sink, floor drain and standpipe must be able to handle 7 gal. (26.6 L) per minute for portable installations and 13 gal. (49.2 L) of water per minute for permanent installations.
- **Is water bouncing off the tub ring or the load?**  
The wash load should be balanced and not overloaded. If not, the fill or spray rinses can bounce off the load.  
  
The washer must be level. Refer to the installation instructions for your model.
- **Did you install the drain hose in a standpipe or laundry tub?**  
See "Permanent Installation Instructions."
- **Check household plumbing for leaks.**



---

### Washer basket is crooked

---

- **Was the washer basket pulled forward during loading?**  
Push the basket to the center before starting wash.
- **Is the load balanced and the washer level?**  
The wash load should be balanced.  
  
The washer must be level. Refer to the installation instructions for your model.
- **The washer basket moves while washing.**  
This is normal.

---

### Dispensers clogged or leaking

---

- **Are the laundry products in the correct dispenser?**  
Add the correct amounts of powdered detergent, liquid chlorine bleach, or fabric softener to the correct dispenser. You can add powdered color safe bleach to the detergent dispenser. Liquid detergent should be added to the bottom of the washer basket.
- Be sure to match powdered color-safe bleach with powdered detergent or match liquid color-safe bleach with liquid detergent. Use only liquid chlorine bleach in the bleach dispenser.

---

### Load too wet

---

- **Cold rinses leave loads wetter than warm rinses.**  
This is normal.

---

### Residue or lint on load

---

- **Did you add powdered detergent to the dispenser?**  
For best results, use the dispenser to dissolve powdered detergent. Add liquid detergent directly to the bottom of the washer basket.
- **Did you sort properly?**  
Sort lint givers (towels, chenille) from lint takers (corduroy, synthetics). Also sort by color.
- **Did you overload the washer?**  
The wash load must be balanced. See “Starting Your Washer” for maximum load size. Lint can be trapped in the load if overloaded. Wash smaller loads.
- **Was paper or tissue left in pockets?**
- **Did you use enough detergent?**  
Follow manufacturer’s directions. Use enough detergent to hold the lint in the water.
- **Is your water colder than 70°F (21°C)?**  
Wash water colder than 70°F (21°C) may not completely dissolve the detergent.
- **Are you using a gentle wash cycle?**  
Consider using liquid detergent for slow-speed cycles such as Gentle or Delicate.

---

### Stains on load

---

- **Did you add powdered detergent to the dispenser?**  
For best results, use the dispenser to dissolve powdered detergent. Add liquid detergent directly to the bottom of the washer basket.
- **Did you use enough detergent?**  
Use enough detergent to remove soil and hold it in suspension. Add the manufacturer’s recommended amounts.
- **Did you add fabric softener directly to the load?**  
Use your fabric softener dispenser. Do not drip fabric softener on clothes.
- **Is there above average iron (rust) in water?**  
You may need to install an iron filter.
- **Did you properly sort the load?**  
Sort dark clothes from whites and lights.
- **Did you unload the washer promptly?**  
To avoid dye transfer, unload the washer as soon as it stops.
- **Did you use powder detergent in a low-speed cycle?**  
Consider using liquid detergent.
- **Did you add powdered detergent, chlorine bleach or fabric softener too late in the cycle?**  
Powdered detergent, chlorine bleach, and fabric softener should be added to the dispensers before starting the washer. Add liquid detergent directly to the bottom of the washer basket.

---

### Load is wrinkled

---

- **Did you unload the washer promptly?**  
Unload the washer as soon as it stops.
- **Did you overload the washer?**  
The wash load must be balanced and not overloaded. Loads should move freely during washing.
- **Are the hot and cold water hoses reversed?**  
Check to be sure the hot and cold water hoses are connected to the right faucets. See “Permanent Installation Instructions.”

---

### Load is tangled or twisted

---

- **Did you overload the washer?**  
See “Starting Your Washer” for maximum load size. Loads should move freely during washing.

---

### Gray whites, dingy colors

---

- **Did you properly sort the load?**  
Dye transfer can occur when mixing whites and colors in a load. Sort dark fabrics from whites and lights.
- **Was the wash temperature too low?**  
Use hot or warm washes if safe for the load. Make sure your hot water system is adequate to provide a hot water wash.
- **Did you use enough detergent, or do you have hard water?**  
Use more detergent for washing heavy soils in cold or hard water. Water temperature should be at least 70°F (21°C) for detergent to dissolve and work properly.

---

## Garment damage

---

### ■ Check the following:

Were sharp items removed from pockets before washing?  
Empty pockets, zip zippers, snap or hook fasteners before washing.

Were strings and sashes tied to prevent tangling?

Were items damaged before washing?  
Mend rips and broken threads in seams before washing.

### ■ Did you overload the washer?

See "Loading" for maximum load size.

### ■ Did you properly add chlorine bleach?

Do not pour chlorine bleach directly on load. Use your liquid chlorine bleach dispenser. Wipe up bleach spills. Undiluted bleach will damage fabrics. Do not place load items on top of the bleach dispenser when loading and unloading the washer.

### ■ Did you follow the manufacturer's care label instructions?

---

## Wash temperature is not what I selected

---

### ■ For permanent installations: Are the hot and cold water inlet hoses reversed?

As washing progresses, the wash temperature will decrease slightly for hot and warm washes. This is normal.

### ■ For portable installations: Is the Temperature set at Cold/Cold?

See "Portable Installation Instructions."

---

# ASSISTANCE OR SERVICE

Before calling for assistance or service, please check "Troubleshooting." It may save you the cost of a service call. If you still need help, follow the instructions below.

When calling, please know the purchase date and the complete model and serial number of your appliance. This information will help us to better respond to your request.

### If you need replacement parts

If you need to order replacement parts, we recommend that you only use factory specified parts. These parts will fit right and work right because they are made with the same precision used to build every new CROSLEY® appliance. To locate replacement parts in your area, call our Customer Interaction Center telephone number or contact your nearest designated service center.

### For assistance and service

Call the Whirlpool Customer Interaction Center toll free at **1-800-253-1301**.

### Our consultants provide assistance with:

- Features and specifications on our full line of appliances.
- Installation information.
- Use and maintenance procedures.
- Accessory and repair parts sales.
- Specialized customer assistance (Spanish speaking, hearing impaired, limited vision, etc.).
- Referrals to local dealers, repair parts distributors, and service companies.

Whirlpool designated service technicians are trained to fulfill the product warranty and provide after-warranty service, anywhere in the United States.

To locate the Whirlpool designated service company in your area, you can also look in your telephone directory Yellow Pages.

### For further assistance

If you need further assistance, you can write to us with any questions or concerns at:

Crosley Corporation  
c/o Correspondence Dept.  
675 North Main Street  
Winston-Salem, NC 27102-2111

Please include a daytime phone number in your correspondence.

---

# CROSLEY® COMPACT WASHER WARRANTY

---

## ONE-YEAR FULL WARRANTY

For one year from the date of purchase, when this washer is operated and maintained according to instructions attached to or furnished with the product, Whirlpool Corporation will pay for Factory Specified Parts and repair labor costs to correct defects in materials or workmanship. Service must be provided by a Whirlpool designated service company.

---

## SECOND THROUGH FIFTH YEAR LIMITED WARRANTY - ON TOP, LID AND GEARCASE ASSEMBLY

For the second through fifth year from the date of purchase, when this washer is operated and maintained according to instructions attached to or furnished with the product, Whirlpool Corporation will pay for Factory Specified Parts for the following components, if defective in materials or workmanship: top and lid (if rusted); any part of the gearcase assembly.

---

## SECOND THROUGH TENTH YEAR LIMITED WARRANTY - ON OUTER TUB

For the second through tenth year from the date of purchase, when this washer is operated and maintained according to instructions attached to or furnished with the product, Whirlpool Corporation will pay for Factory Specified Parts for the outer tub should it crack or fail to contain water, if defective in materials or workmanship.

---

### Whirlpool Corporation will not pay for:

1. Service calls to correct the installation of your washer, to instruct you how to use your washer, or to replace house fuses or correct house wiring or plumbing.
  2. Repairs when your washer is used in other than normal, single-family household use.
  3. Damage resulting from accident, alteration, misuse, abuse, fire, flood, acts of God, improper installation, installation not in accordance with local electrical and plumbing codes, or use of products not approved by Whirlpool Corporation.
  4. Any labor costs during the limited warranty periods.
  5. Replacement parts or repair labor costs for units operated outside the United States or Canada.
  6. Pickup and delivery. This product is designed to be repaired in the home.
  7. Repairs to parts or systems resulting from unauthorized modifications made to the appliance.
  8. In Canada, travel or transportation expenses for customers who reside in remote areas.
- 

### WHIRLPOOL CORPORATION SHALL NOT BE LIABLE FOR INCIDENTAL OR CONSEQUENTIAL DAMAGES.

Some states and provinces do not allow the exclusion or limitation of incidental or consequential damages, so this exclusion or limitation may not apply to you. This warranty gives you specific legal rights, and you may also have other rights which may vary from state to state or province to province.

**Outside the 50 United States and Canada, this warranty does not apply. Contact your authorized Crosley dealer to determine if another warranty applies.**

If you need service, first see "Troubleshooting." Additional help can be found by checking "Assistance or Service," or by calling our Customer Interaction Center at **1-800-253-1301**, from anywhere in the U.S.A., or write: Crosley Corporation, c/o Correspondence Dept., 675 N. Main St., Winston-Salem, NC 27102-2111.

11/03

---

**Keep this book and your sales slip together for future reference. You must provide proof of purchase or installation date for in-warranty service.**

Write down the following information about your washer to better help you obtain assistance or service if you ever need it. You will need to know your complete model number and serial number. You can find this information on the model and serial number label/plate, located on your appliance.

Dealer name \_\_\_\_\_

Address \_\_\_\_\_

Phone number \_\_\_\_\_

Model number \_\_\_\_\_

Serial number \_\_\_\_\_

Purchase date \_\_\_\_\_

# SEGURIDAD DE LA LAVADORA

## Su seguridad y la seguridad de los demás es muy importante.

Hemos incluido muchos mensajes importantes de seguridad en este manual y en su electrodoméstico. Lea y obedezca siempre todos los mensajes de seguridad.



Este es el símbolo de advertencia de seguridad.

Este símbolo le llama la atención sobre peligros potenciales que pueden ocasionar la muerte o una lesión a usted y a los demás.

Todos los mensajes de seguridad irán a continuación del símbolo de advertencia de seguridad y de la palabra "PELIGRO" o "ADVERTENCIA". Estas palabras significan:

**⚠ PELIGRO**

**Si no sigue las instrucciones de inmediato, usted puede morir o sufrir una lesión grave.**

**⚠ ADVERTENCIA**

**Si no sigue las instrucciones, usted puede morir o sufrir una lesión grave.**

Todos los mensajes de seguridad le dirán el peligro potencial, le dirán cómo reducir las posibilidades de sufrir una lesión y lo que puede suceder si no se siguen las instrucciones.

## INSTRUCCIONES IMPORTANTES DE SEGURIDAD

**ADVERTENCIA:** Para reducir el riesgo de incendio, choque eléctrico o lesiones a personas al usar su lavadora, siga las precauciones básicas, incluyendo las siguientes:

- Lea todas las instrucciones antes de usar la lavadora.
- No lave artículos que hayan sido previamente limpiados, lavados, remojados o humedecidos con gasolina, solventes para lavar en seco, u otras sustancias inflamables o explosivas ya que éstas emanan vapores que podrían encenderse o causar una explosión.
- No agregue gasolina, solventes para lavar en seco, u otras sustancias inflamables o explosivas al agua de lavado. Estas sustancias emanan vapores que podrían encenderse o causar una explosión.
- En ciertas condiciones, puede generarse gas hidrógeno en un sistema de agua caliente que no se haya usado por dos semanas o un período mayor. **EL GAS HIDRÓGENO ES EXPLOSIVO.** Si no se ha usado el agua caliente durante dicho período, antes de usar la lavadora, abra todos los grifos de agua caliente y deje que corra el agua por varios minutos. Esto liberará todo el gas hidrógeno que se haya acumulado. Debido a la inflamabilidad de dicho gas, no fume ni use una llama abierta durante este lapso.
- No permita que los niños jueguen encima o dentro de la lavadora. Es necesario una supervisión cuidadosa de los niños toda vez que se use la lavadora cerca de ellos.
- Antes de poner la lavadora fuera de servicio o desecharla, quítele la puerta o la tapa.
- No introduzca las manos en la lavadora si el tambor, la tina, o el agitador están funcionando.
- No instale ni almacene esta lavadora donde pudiese estar sometida a la intemperie.
- No trate de forzar los controles.
- No repare ni cambie pieza alguna de la lavadora ni intente realizar tarea alguna de servicio técnico, excepto cuando así se le indique específicamente en este manual o en instrucciones de reparación para el usuario publicadas, que usted entienda y para cuya ejecución cuente con la habilidad necesaria.
- Para obtener información respecto a los requisitos de conexión a tierra, refiérase a los "Requisitos Eléctricos".

**GUARDE ESTAS INSTRUCCIONES**

# REQUISITOS DE INSTALACIÓN

## Piezas y Herramientas

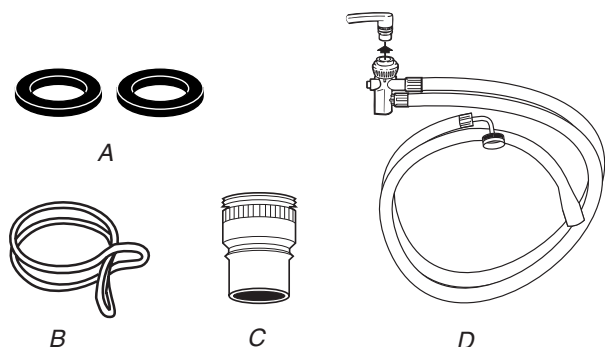
Antes de comenzar la instalación de la lavadora, reúna todas las herramientas y accesorios necesarios. Las piezas provistas están en la canasta de la lavadora.

### Instalación portátil

#### Herramientas necesarias:

- Alicates que se abran a 1 $\frac{1}{16}$ " (3,95 cm)
- Cuchillo para uso general
- Linterna (opcional)

#### Piezas suministradas:



- A. Arandelas planas para el adaptador del grifo y la manguera de llenado  
B. Abrazadera plateada de manguera, de doble hilo (para la parte inferior de la manguera de desagüe)  
C. Adaptador del grifo del agua  
D. Manguera de llenado y de desagüe

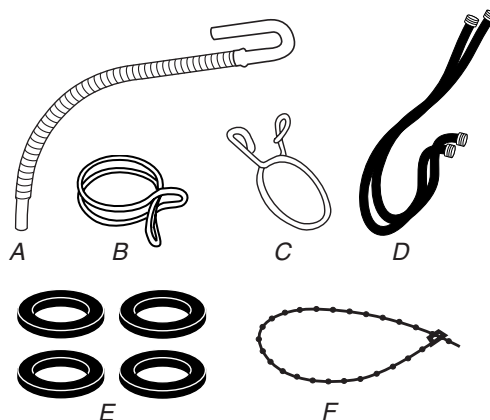
**NOTA:** Se necesita un juego para cambiar de una instalación permanente a una instalación portátil. Para encargar, llame al distribuidor en donde compró la lavadora o refiérase a la sección "Ayuda o servicio técnico" de este manual. Pida la pieza número 3935674.

### Instalación permanente

#### Herramientas necesarias:

- Alicates que se abran a 1 $\frac{1}{16}$ " (3,95 cm)
- Linterna (opcional)
- Llave de tuercas ajustable o de extremo abierto de  $\frac{9}{16}$ " (14 mm)
- Nivel
- Bloque de madera
- Cuchillo para uso general
- Cinta de medir

#### Piezas suministradas:



- A. Manguera de desagüe  
B. Abrazadera plateada de manguera, de doble hilo (para la parte inferior de la manguera de desagüe)  
C. Abrazadera amarilla de manguera, unifilar (para la parte superior de la manguera de desagüe)  
D. Mangueras de entrada de agua (2)  
E. Arandelas planas para la manguera de entrada de agua (4)  
F. Atadura de cuentas

**NOTA:** Se necesita un juego para cambiar de una instalación portátil a una instalación permanente. Para encargar, llame al distribuidor en donde compró la lavadora o refiérase a la sección "Ayuda o servicio técnico" de este manual. Pida la pieza número 4396746.

## Piezas alternativas

Su instalación puede requerir piezas alternativas. Para obtener información sobre cómo pedir, sírvase referirse a la sección "Ayuda o servicio técnico" de este manual.

Si tiene:	Debe comprar:
Tina de lavandería o tubo vertical de más de 72" (183 cm) de altura	Sistema de bomba de sumidero (si no está disponible aún)
Tubo vertical de 1" (2,5 cm) de diámetro	Un adaptador de tubo vertical de 2" (5 cm) de diámetro a 1" (2,5 cm) de diámetro, pieza número 3363920
Una alcantarilla suspendida	Tina de desagüe estándar de 20 gal. (76 L) 39" (99 cm) de altura o lavadero utilitario, bomba de sumidero y conectores (disponible en tiendas locales de artículos de plomería)
Desagüe por el piso	Interruptor de efecto de sifón, pieza número 285320; manguera de desagüe adicional, pieza número 3357090; y juego de conectores, pieza número 285442
Grifos de agua fuera del alcance de las mangueras de llenado	2 mangueras de llenado de agua más largas: de 6 pies (1,8 m) pieza número 76314, de 10 pies (3,0 m) pieza número 350008
Manguera de desagüe demasiado corta	Manguera de desagüe, pieza número 388423 y juego de manguera, pieza número 285442
Manguera de desagüe demasiado larga	Juego de manguera, pieza número 285442
Desagüe obstruido por pelusa	Protector del desagüe, pieza número 367031

## Requisitos de ubicación

La selección de un lugar apropiado para su lavadora realza el rendimiento y reduce el ruido y la posible "caminata" de la lavadora.

Su lavadora puede ser instalada en un sótano, lavandería, clóset o un área empotrada. Vea la sección "Sistema de desagüe".

**IMPORTANTE:** No instale o guarde la lavadora en un lugar en donde esté expuesta a la intemperie.

La instalación adecuada es responsabilidad suya.

### Usted necesitará:

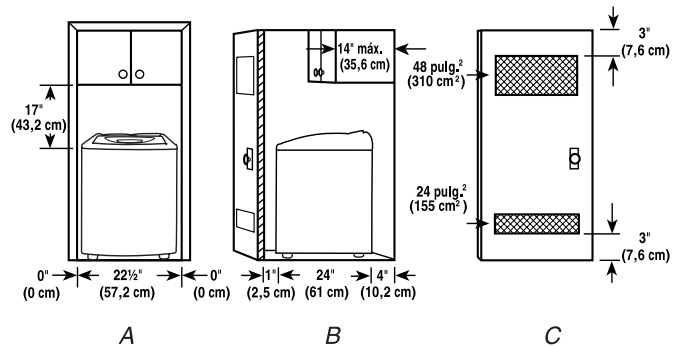
- Un calentador de agua equipado para suministrar agua a 120°F (49°C) de temperatura a la lavadora.

- Un contacto de pared conectado a tierra que esté ubicado a una distancia no mayor de 5 pies (1,5 m) del lugar donde el cable eléctrico está conectado con la parte trasera de la lavadora. Vea "Requisitos eléctricos".
- Grifos de agua caliente y agua fría ubicados a una distancia de 3½ pies (1,1 m) de las válvulas de llenado del agua caliente y agua fría y una presión de agua de 5-100 lb/pulg<sup>2</sup> (34,5-690 kPa).
- Un piso nivelado con un declive máximo de ¾" (1,9 cm) debajo de toda la lavadora. No es recomendable instalar la lavadora sobre un tapete.
- Un piso resistente que sostenga el peso de la lavadora (la lavadora, el agua y la carga) de 260 lbs (118 kg).

No guarde ni ponga a funcionar su lavadora a una temperatura igual o inferior a 32°F (0°C). Podría quedar un poco de agua en la lavadora y ocasionar daños a bajas temperaturas. Vea "Cuidado de la lavadora" para obtener información respecto al acondicionamiento de su lavadora para el invierno.

### Instalación en un área empotrada o en un clóset

Las dimensiones que se ilustran son para el espacio permitido que se recomienda, a excepción de las aberturas de ventilación de la puerta del clóset. Las dimensiones ilustradas para las aberturas de ventilación de la puerta del clóset son las mínimas permitidas.



A. Vista de frente

B. Vista lateral

C. Puerta del clóset con orificios de ventilación

- Se debe considerar un espacio adicional para facilitar la instalación y el servicio de reparación.
- Quizás sea necesario dejar espacios libres adicionales para las molduras de pared, puerta y piso.
- Para reducir la transferencia de sonidos se recomienda dejar un espacio libre adicional de 1" (2,5 cm) en todos los costados de la lavadora.
- Si se instala una puerta de clóset, es necesario dejar las aberturas de aire mínimas en la parte superior e inferior de la puerta. Son aceptables las puertas con persianas que tengan aberturas de aire equivalentes en la parte superior e inferior.
- Se debe considerar también un espacio para otro electrodoméstico que lo acompañe.

## Requisitos eléctricos

### ⚠ **ADVERTENCIA**



#### **Peligro de Choque Eléctrico**

**Conecte a un contacto de pared de conexión a tierra de 3 terminales.**

**No quite el terminal de conexión a tierra.**

**No use un adaptador.**

**No use un cable eléctrico de extensión.**

**No seguir estas instrucciones puede ocasionar la muerte, incendio o choque eléctrico.**

- Se requiere una fuente de alimentación eléctrica de 120 Voltios, 60-Hz. de CA únicamente, de 15 ó 20 Amperios, dotada de fusibles. Se recomienda un fusible de acción retardada o un disyuntor. Es recomendable suministrar un circuito individual exclusivamente para este electrodoméstico.
- Esta lavadora viene con un cable de alimentación con un enchufe de 3 vías conectado a tierra.
- Para reducir la posibilidad de choques eléctricos, el cable de alimentación debe enchufarse a un tomacorriente de pared equivalente de 3 vías con conexión a tierra, de acuerdo con todos los códigos y reglamentos locales. Si no se dispone de un tomacorriente equivalente, es la responsabilidad y obligación personal del usuario ordenar a un electricista calificado la instalación de un tomacorriente apropiado, conectado a tierra.

- Si está permitido en los códigos y se utiliza un alambre a tierra separado, es recomendable que un electricista calificado determine cuál es la ruta adecuada a tierra.
- No conecte a tierra usando una tubería de gas.
- Si no está seguro que su lavadora está conectada a tierra correctamente, haga que un electricista calificado lo compruebe.
- No instale un fusible en el circuito neutral o de tierra.

### **INSTRUCCIONES PARA LA CONEXIÓN A TIERRA**

#### **Para una lavadora conectada a tierra con cable eléctrico:**

Esta lavadora debe conectarse a tierra. En caso de funcionamiento defectuoso o avería, la conexión a tierra reducirá el riesgo de choque eléctrico al proporcionar una vía de menor resistencia para la corriente eléctrica. Esta lavadora viene equipada con un cable eléctrico que tiene un conductor de conexión a tierra del equipo y un enchufe con conexión a tierra. El enchufe debe conectarse en un contacto de pared apropiado que haya sido debidamente instalado y conectado a tierra de conformidad con todos los códigos y ordenanzas locales.

**ADVERTENCIA:** La conexión incorrecta del conductor de conexión a tierra del equipo puede ocasionar un riesgo de choque eléctrico. Consulte con un electricista o técnico en reparaciones calificado si tiene duda alguna en cuanto a la conexión a tierra correcta del electrodoméstico.

No modifique el enchufe provisto con el electrodoméstico. Si éste no encaja en el contacto de pared, pida a un electricista calificado que le instale un contacto de pared apropiado.

#### **Para una lavadora con contacto eléctrico permanente:**

Esta lavadora debe conectarse a un sistema de metal con cableado permanente, o se debe tender un conductor de conexión a tierra del equipo con los conductores del circuito y conectarlos al terminal de conexión a tierra del equipo o conductor de suministro en el electrodoméstico.

## Quite el material de transporte

Antes de instalar la lavadora, quite todo el material de transporte.

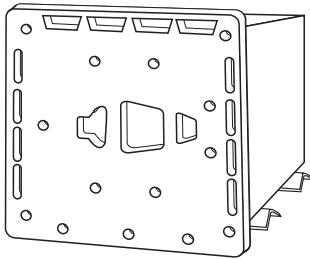
### ⚠️ ADVERTENCIA

#### Peligro de Peso Excesivo

Use dos o más personas para mover e instalar la lavadora.

No seguir esta instrucción puede ocasionar una lesión en la espalda u otro tipo de lesiones.

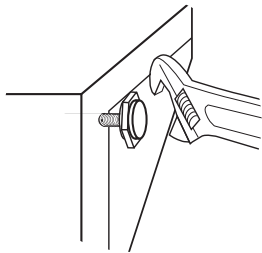
1. Para proteger el piso, coloque dos esquinales del material de transporte sobre el piso en la parte posterior de la lavadora.
2. Agarre con firmeza el cuerpo de la lavadora y colóquelo suavemente sobre los esquinales.



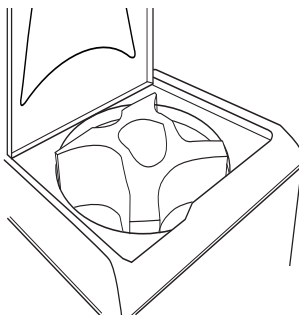
3. Saque el paquete de espuma de plástico de debajo de la lavadora.

#### Solamente para las lavadoras compactas instaladas permanentemente:

Use una llave de tuercas ajustable para girar las patas de la lavadora hacia afuera aproximadamente  $\frac{3}{4}$ " (1,9 cm). Este es el ajuste recomendado. Es posible que se necesite un ajuste más adelante.



4. Ponga la lavadora de pie.
5. Saque la cinta de la tapa de la lavadora. Abra la tapa de la lavadora y quite la pieza de embalaje de espuma, la bolsa de partes y las mangueras de la canasta de la lavadora. Quite las etiquetas del cajón del depósito. Cierre la tapa.



## INSTRUCCIONES PARA LA INSTALACIÓN PERMANENTE

### Antes de empezar

### ⚠️ ADVERTENCIA

#### Peligro de Peso Excesivo

Use dos o más personas para mover e instalar la lavadora.

No seguir esta instrucción puede ocasionar una lesión en la espalda u otro tipo de lesiones.

- Para evitar daños al piso, coloque la lavadora sobre un cartón antes de moverla por el piso.
- Mueva la lavadora a aproximadamente 3 pies (90 cm) de distancia de su ubicación final.

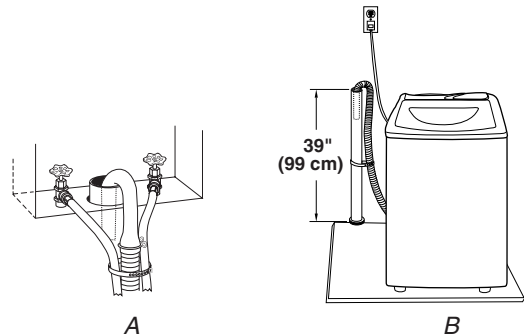
### Sistema de desagüe

Se puede instalar la lavadora usando el sistema de desagüe de tubo vertical (piso o pared), el sistema de desagüe en un lavadero o el sistema de desagüe en el piso. Elija el sistema de instalación de la manguera de desagüe que necesite. Vea "Herramientas y piezas".

#### Sistema de desagüe de tubo vertical – piso o pared (ilustraciones A y B)

El sistema de desagüe de tubo vertical requiere de un tubo vertical con un diámetro mínimo de 2" (5 cm). La capacidad mínima de desagüe (para las instalaciones permanentes) no puede ser menor de 13 gal. (49,2 L) por minuto. Se dispone de un juego de adaptador para tubo vertical de 2" (5 cm) de diámetro a 1" (2,5 cm). Vea "Herramientas y piezas".

La parte superior del tubo vertical deberá estar a 39" (99 cm) de altura cuando menos y no podrá estar a más de 72" (183 cm) desde la base de la lavadora.





### Sistema de desagüe en un lavadero (ilustración C)

La tina de lavadero debe tener una capacidad mínima de desagüe de 13 gal. (49,2 L) por minuto (para las instalaciones permanentes).

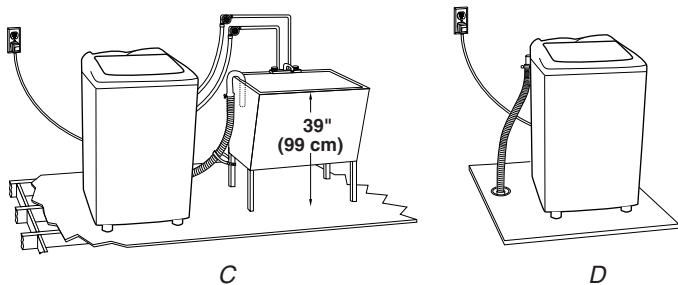
La parte superior del lavadero debe estar a 39" (99 cm) de altura cuando menos sobre el piso y no podrá estar a más de 72" (183 cm) desde la base de la lavadora.

### Sistema de desagüe en el piso (ilustración D)

El sistema de desagüe en el piso requiere de un interruptor de efecto de sifón que puede comprarse por separado. Vea "Herramientas y piezas".

El interruptor de efecto de sifón deberá estar a 28" (71 cm) cuando menos de la base de la lavadora. Quizás se necesiten mangueras adicionales.

La capacidad mínima de desagüe (para las instalaciones permanentes) no puede ser menor de 13 gal. (49,2 L) por minuto.



## Conecte la manguera de desagüe

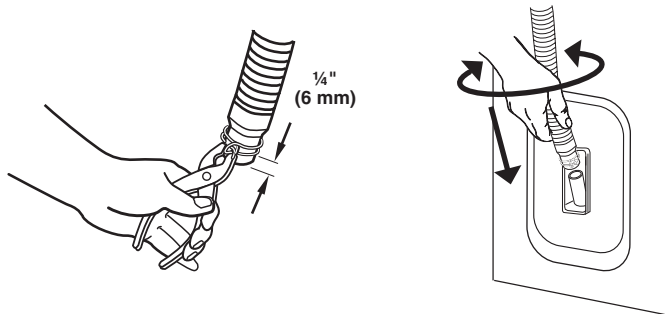
La conexión adecuada de la manguera de desagüe protegerá sus pisos contra daños ocasionados por pérdidas de agua. Para prevenir que la manguera de desagüe se afloje o pierda agua, debe ser instalada según las instrucciones siguientes.

**IMPORTANTE:** Para asegurar una instalación adecuada, se debe seguir este procedimiento con exactitud.

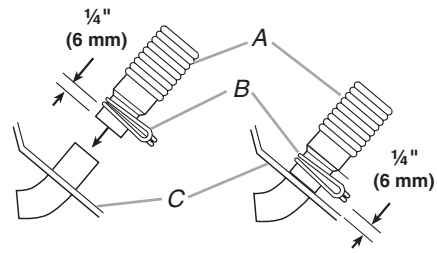
1. Revise la manguera de desagüe para ver si tiene la longitud adecuada.
2. Moje la parte interior del extremo recto de la manguera de desagüe con agua del grifo.

**IMPORTANTE:** No use ningún otro lubricante que no sea agua.

3. Apriete con los alicates las orejas de la abrazadera de hilo doble para abrirla. Coloque la abrazadera en el extremo recto de la manguera de desagüe a 1/4" (6 mm) del extremo. Tuerza la manguera hacia atrás y hacia adelante al tiempo que la empuja hacia el conector de desagüe que está en la parte inferior de la lavadora. Continúe hasta que la manguera toque el gabinete.



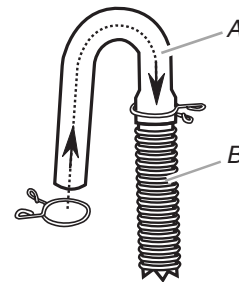
4. Coloque la abrazadera en el área marcada "abrazadera" (CLAMP). Suelte la abrazadera.



A. Manguera de desagüe  
B. Abrazadera  
C. Gabinete

### Para sistemas de desagüe por tubo vertical o a través del lavadero:

1. Abra con los alicates la abrazadera amarilla unifilar y deslícela hacia el extremo en forma de gancho de la manguera de desagüe para sujetar las secciones de caucho y corrugadas.

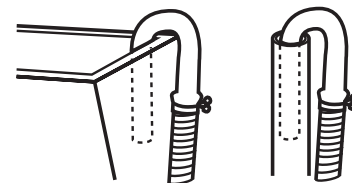


A. Extremo en forma de gancho  
B. Manguera de desagüe

2. Coloque el extremo en forma de gancho de la manguera de desagüe en el lavadero o en el tubo vertical. Gire el gancho para eliminar torceduras en la manguera.

### Para evitar que el agua de desagüe vuelva a la lavadora:

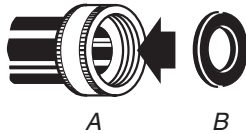
- No enderece el extremo en forma de gancho de la manguera de desagüe. No fuerce el exceso de la manguera de desagüe dentro del tubo vertical. La manguera debe estar asegurada pero lo suficientemente floja para proporcionar un espacio de aire.
- No ponga el exceso de la manguera de desagüe en el fondo del lavadero.



- Para la instalación de desagüe por el piso, vea el número del juego necesario en la sección "Herramientas y piezas".

## Conecte las mangueras de entrada

1. Introduzca las nuevas arandelas planas (provistas) en cada extremo de las mangueras de entrada. Asiente las arandelas con firmeza en los acoplamientos.

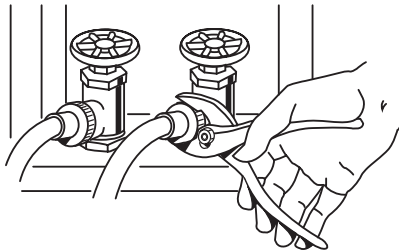


A. Acoplamiento  
B. Arandela

### Conecte las mangueras de entrada a los grifos del agua

Asegúrese de que la canasta de la lavadora esté vacía.

2. Conecte la manguera con el acoplamiento rojo al grifo de agua caliente. Atornille el acoplamiento con la mano hasta asentarlo en la arandela.
3. Conecte la manguera con el acoplamiento azul al grifo de agua fría. Atornille el acoplamiento con la mano hasta asentarlo en la arandela.
4. Usando los alicates, apriete los acoplamientos dos tercios de vuelta adicional.



**NOTA:** No los apriete demasiado ya que podría dañar las válvulas.

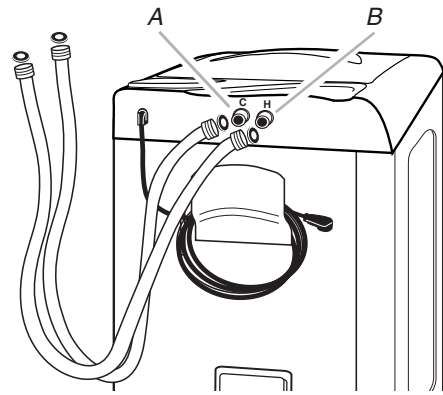
### Limpie las tuberías del agua

5. Deje correr el agua de los grifos y las mangueras de entrada en una cubeta o en el lavadero para eliminar partículas que se encuentran en las tuberías del agua, las cuales podrían obstruir los filtros de la válvula de entrada.

### Conecte las mangueras de entrada a la lavadora

6. Conecte la manguera con el acoplamiento rojo a la válvula de entrada CALIENTE (derecha). El conectar el acoplamiento rojo primero facilita el ajuste de la conexión con los alicates. Atornille el acoplamiento con la mano hasta que se asiente en la arandela. Usando los alicates, apriete los acoplamientos dos tercios de vuelta adicional.

**NOTA:** No los apriete demasiado ya que podría dañar las válvulas.



A. Válvula de entrada del agua fría (azul)  
B. Válvula de entrada del agua caliente (roja)

7. Conecte la manguera con el acoplamiento azul a la válvula de entrada del agua FRÍA (izquierda). Atornille el acoplamiento con la mano hasta que se asiente en la arandela. Usando los alicates, apriete los acoplamientos dos tercios de vuelta adicional.

**NOTA:** No los apriete demasiado ya que podría dañar las válvulas.

### Revise si hay pérdidas de agua

8. Abra los grifos del agua y revise si hay pérdidas. Es posible que entre un poco de agua en la lavadora, la cual podrá desaguar más tarde.

**NOTA:** Reemplace las mangueras de entrada después de cinco años de uso para reducir el riesgo de que fallen. Anote las fechas de instalación y de reposición de la manguera para consulta futura.

- Si conecta sólo una manguera de agua, debe tapar el orificio restante de entrada del agua.
- De vez en cuando inspeccione y reemplace las mangueras si encuentra bultos, torceduras, cortaduras, desgaste o pérdidas de agua.

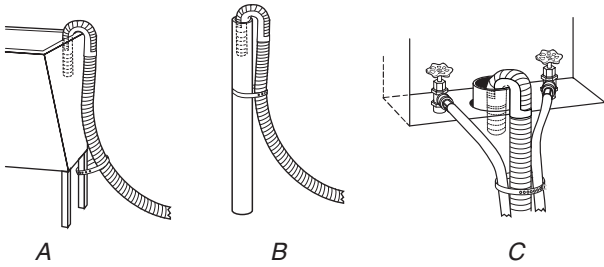
## Cómo asegurar la manguera de desagüe

1. Coloque el cable de alimentación sobre la consola.
2. Coloque la lavadora en su posición final y quite cualquier cartón que se hubiera usado para moverla.
3. Ubique la atadura de cuentas (incluida).



Atadura de cuentas

4. Afiance la manguera de desagüe a la pata del lavadero o al tubo vertical con la atadura de cuentas. (Vea las ilustraciones A y B.)



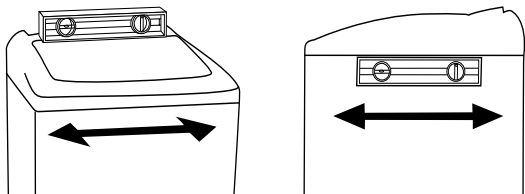
Si los grifos de la lavadora y el tubo vertical de desagüe están empotrados, inserte el extremo curvo de la manguera de desagüe en el tubo vertical. Con firmeza enrolle la atadura de cuentas alrededor de las mangueras de entrada de agua y de la manguera de desagüe. (Vea la ilustración C.)

No fuerce el excedente de la manguera de desagüe de regreso a la parte posterior de la lavadora.

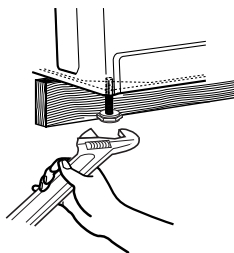
### Nivele la lavadora

La nivelación apropiada de su lavadora evita el ruido excesivo y la vibración.

1. Traslade la lavadora hacia su ubicación final.
2. Verifique que la lavadora esté nivelada.
  - Verifique de lado a lado y de adelante hacia atrás alineando el nivel como se muestra en la ilustración siguiente.



3. Si la lavadora no está nivelada, apunte el frente de la misma usando un bloque de madera y ajuste las patas hacia arriba o hacia abajo, según sea necesario. Si la lavadora está contra la pared, mueva la lavadora ligeramente hacia afuera antes de inclinarla hacia atrás. Repita este paso hasta que la lavadora quede nivelada.



### Complete la instalación

1. Revise los requisitos eléctricos. Asegúrese de tener el suministro eléctrico debido y el método de conexión a tierra recomendado. Vea "Requisitos eléctricos".
2. Revise para cerciorarse de que todas las piezas ya estén instaladas. Si hay una pieza extra, vuelva atrás cada paso para ver cuál de ellos omitió.
3. Revise para cerciorarse de que tenga todas las herramientas.
4. Deshágase/recicle todos los materiales de embalaje. Guarde el tapón de espuma expandida para usarlo en el caso de que deba transportar la lavadora.
5. Revise para cerciorarse de que los grifos de agua estén abiertos.
6. Revise si hay pérdidas de agua alrededor de los grifos y las mangueras de entrada.

## ⚠ ADVERTENCIA



### Peligro de Choque Eléctrico

**Conecte a un contacto de pared de conexión a tierra de 3 terminales.**

**No quite el terminal de conexión a tierra.**

**No use un adaptador.**

**No use un cable eléctrico de extensión.**

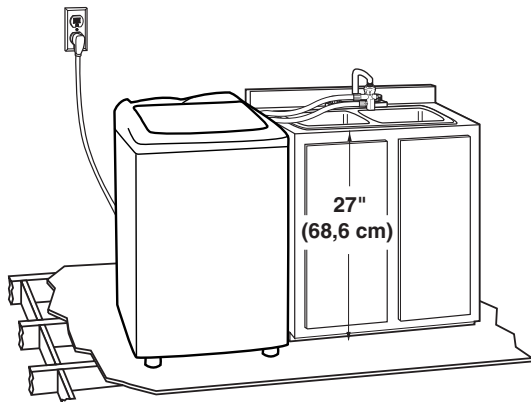
**No seguir estas instrucciones puede ocasionar la muerte, incendio o choque eléctrico.**

7. Conecte a un contacto de pared de conexión a tierra de 3 terminales.
8. Lea "Uso de la lavadora".
9. Para probar su lavadora, mida y agregue la mitad de la cantidad recomendada del detergente a la lavadora. Cierre la tapa. Seleccione cualquier ciclo y después presione Inicio/ Apagado (START/OFF). Deje que termine un ciclo completo.

# INSTRUCCIONES PARA LA INSTALACIÓN PORTÁTIL

## Sistema de desagüe

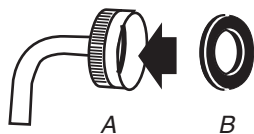
La lavadora deberá desaguarse en un fregadero o tina de lavadero con una capacidad de desalojo de 7 gal. (26,6 L) por minuto (para las instalaciones portátiles). La parte superior de la tina deberá estar por lo menos a 27" (68,6 cm) por encima del piso y a no más de 48" (121,9 cm) de la parte inferior de la lavadora.



## Conecte la manguera de llenado y desagüe

Para proteger sus pisos de los daños ocasionados por las fugas de agua, conecte correctamente la manguera de llenado y desagüe.

Inserte una nueva arandela plana (suministrada) en el extremo de la manguera de entrada. Asiente la arandela con firmeza en el acoplamiento.



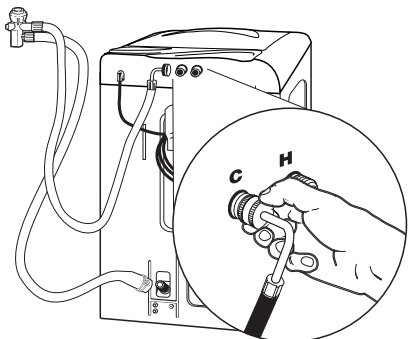
A. Acoplamiento  
B. Arandela

## Conecte la manguera de llenado

Afiance la manguera de llenado y desagüe a la válvula de entrada de agua fría (izquierda). Apriete el acoplamiento con la mano. Mediante los alicates apriete los acoplamientos otros dos tercios de vuelta.

**NOTA:** No apriete demasiado. Se pueden dañar las válvulas.

La válvula de entrada de agua caliente (derecha) está tapada. Deje esta válvula tapada.



## Conecte la manguera de desagüe

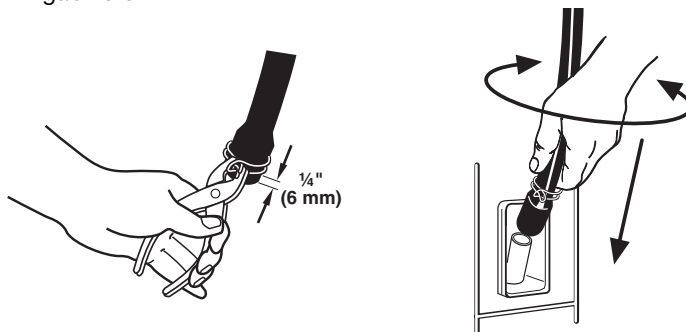
Para evitar que la manguera de llenado y desagüe tenga fugas, deberá ser instalada de acuerdo a las instrucciones siguientes.

**IMPORTANTE:** Para asegurar una instalación adecuada, se debe seguir este procedimiento con exactitud.

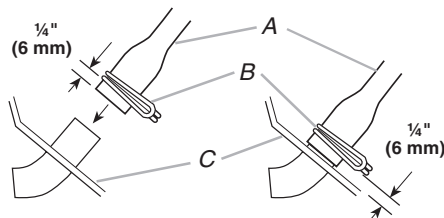
1. Moje el extremo interior de la manguera de llenado y desagüe con agua del grifo.

**IMPORTANTE:** No use ningún otro lubricante que no sea agua.

2. Apriete con los alicates las aletas de la abrazadera de doble hilo para abrirla. Coloque la abrazadera sobre el extremo recto de la manguera de desagüe a 1/4 pulg. (6 mm) del mismo. Tuerza la manguera hacia atrás y hacia adelante mientras empuja sobre el conector de desagüe en el fondo de la lavadora. Continúe hasta que la manguera toque el gabinete.



3. Coloque la abrazadera sobre el área que tiene la marca "CLAMP" (Abrazadera). Suelte la abrazadera.

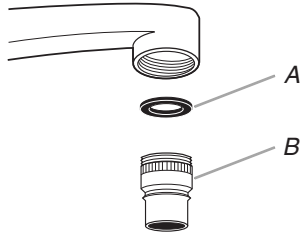


A. Manguera de desagüe  
B. Abrazadera  
C. Gabinete

## Afiance el juego adaptador del grifo

La conexión adecuada del juego adaptador del grifo permitirá que el agua fría y caliente entren a la lavadora de un modo adecuado. También evita que haya daños por agua debidos a las fugas.

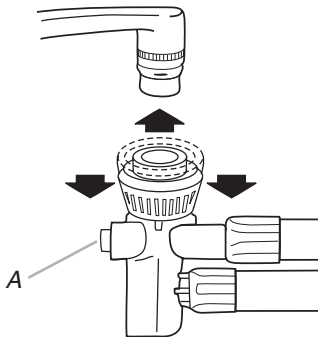
Afiance el juego adaptador del grifo de la bolsa de partes al grifo. Se suministran un adaptador estándar de grifo y una arandela. Los adaptadores a la medida están disponibles en los lugares de suministro de artículos de plomería.



A. Arandela  
B. Adaptador

## Conecte la lavadora

1. Haga rodar la lavadora hacia el área del fregadero. Rueda hacia adelante y hacia atrás sobre ruedas. Las ruedas no giran de un lado a otro. Asegúrese de que la lavadora esté sobre un piso nivelado para ayudar a evitar el movimiento durante el exprimido.
2. Afiance el conector de la manguera de llenado y desagüe a un grifo de agua caliente/fría de un solo pico. Mueva el anillo de sujeción hacia abajo a la vez que levanta el conector hasta que encaje en su lugar.



A. Botón rojo del flujo de agua

3. Fije el ajuste de temperatura de lavado/enjuague (WASH/RINSE TEMPERATURE) en la lavadora a frío/frío (COLD/COLD).
4. Fije la temperatura del agua para el ciclo de lavado ajustando los grifos de agua caliente y fría.

Para probar el agua, presione el botón rojo del flujo de agua que está sobre el conector de la manguera.

**NOTA:** Si lo desea, puede cambiar la temperatura del agua para el ciclo de enjuague ajustando los grifos de agua caliente y fría. Mantenga el ajuste de temperatura de lavado/enjuague de su lavadora en frío/frío (Cold/Cold).

## Complete la instalación

1. Revise los requisitos eléctricos. Asegúrese de contar con la fuente de electricidad correcta y el método recomendado de conexión a tierra. Vea "Requisitos eléctricos".
2. Revise para cerciorarse de que todas las piezas estén instaladas. Si hay alguna pieza extra, vuelva a revisar todos los pasos para ver cuál se omitió.
3. Verifique si tiene todas las herramientas.
4. Deshágase/recicle todos los materiales de embalaje.
5. Cerciórese de que los grifos del agua estén abiertos.
6. Busque si hay fugas alrededor de los grifos y de las mangueras de entrada.

**NOTA:** Si la lavadora está sujeta a un grifo equipado con una manguera de rocío, la presión de agua constante puede causar que haya fugas en la manguera de rocío. Para evitar posibles fallas, la manguera de rocío deberá desconectarse o ser reemplazada con una manguera de alta presión.

## ⚠ ADVERTENCIA



### Peligro de Choque Eléctrico

Conecte a un contacto de pared de conexión a tierra de 3 terminales.

No quite el terminal de conexión a tierra.

No use un adaptador.

No use un cable eléctrico de extensión.

No seguir estas instrucciones puede ocasionar la muerte, incendio o choque eléctrico.

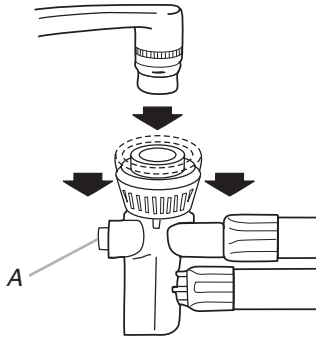
7. Conecte a un contacto de pared de conexión a tierra de 3 terminales.
8. Lea "Uso de la lavadora".
9. Para probar su lavadora, mida y agregue la mitad de la cantidad normal recomendada de detergente en la lavadora. Cierre la tapa. Seleccione cualquier ciclo y después presione Inicio/Apagado (START/OFF). Deje que la lavadora funcione durante un ciclo completo.

## Desconecte la lavadora

Desconecte la lavadora portátil después del uso y póngala nuevamente en el área de almacenaje.

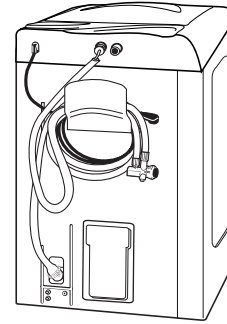
1. Cierre los grifos del agua.
2. Desenchufe el cable de suministro de energía.

- Presione el botón rojo de flujo de agua para liberar la presión en la manguera. Jale hacia abajo el anillo de sujeción para sacar el conector del grifo.

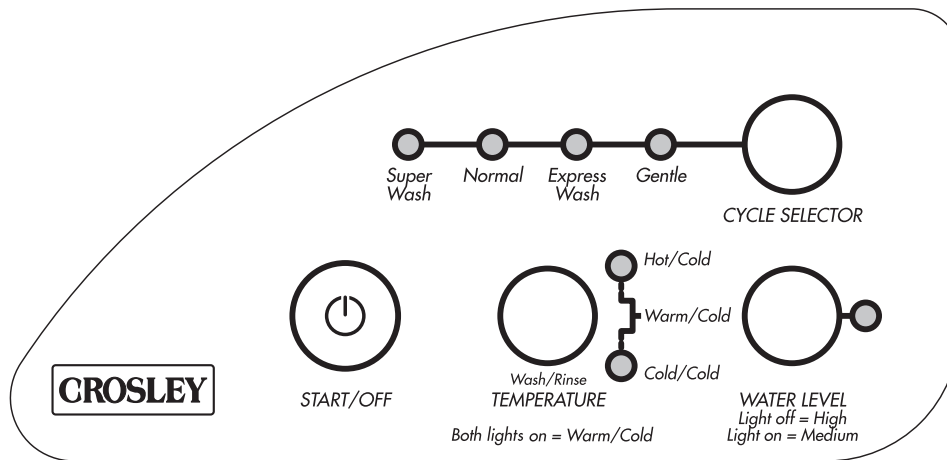


A. Botón rojo del flujo de agua

- Vierta el agua fuera del conector del grifo. Coloque la manguera de llenado y desagüe en el soporte de plástico que está en la parte posterior de la lavadora.



## USO DE LA LAVADORA



### Puesta en marcha de la lavadora

#### **⚠ ADVERTENCIA**



#### Peligro de Incendio

**Nunca coloque en la lavadora artículos que estén humedecidos con gasolina o cualquier otro líquido inflamable.**

**Ninguna lavadora puede eliminar completamente el aceite.**

**No seque ningún artículo que haya tenido alguna vez cualquier tipo de aceite (incluyendo aceites de cocina).**

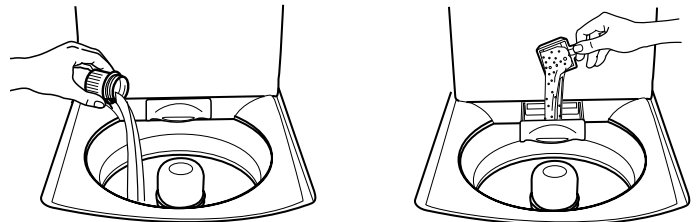
**No seguir estas instrucciones puede ocasionar la muerte, explosión o incendio.**

**ADVERTENCIA:** A fin de reducir el riesgo de incendio, de choque eléctrico o de daños personales, lea las INSTRUCCIONES IMPORTANTES DE SEGURIDAD antes de operar este aparato.

La siguiente es una guía para poner su lavadora en marcha. Las consultas periódicas a otras secciones de este manual le proporcionarán información más detallada.

- Agregue el detergente medido. Agregue el detergente líquido en el fondo de la lavadora y detergente en polvo en el cajón del depósito de detergente.

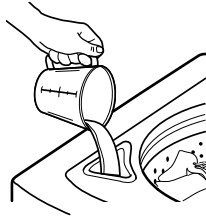
**NOTA:** Si lo desea, puede agregar blanqueador en polvo que no decolora en el depósito de detergente con el detergente en polvo. El blanqueador líquido que no decolora se debe agregar en el fondo de la canasta de la lavadora.



Coloque en la lavadora la ropa seleccionada de modo que quede suelta.

- Coloque las prendas de manera uniforme para mantener el equilibrio de la lavadora. Mezcle artículos grandes con artículos pequeños.

- Las prendas deben moverse con facilidad en el agua de lavado. El sobrecargar la lavadora puede causar una limpieza insatisfactoria.
  - Use el ajuste de nivel de agua para carga grande para proporcionar mayor espacio y de esta manera reducir las arrugas en las prendas de planchado permanente y algunos tejidos sintéticos (vea el paso 5).
2. (PASO OPCIONAL) Vierta una medida de blanqueador con cloro líquido en el depósito para blanqueador líquido. El blanqueador se distribuirá automáticamente durante la porción de lavado del ciclo.



- No use más de 1 taza (250 mL) para una carga completa. Use menos para una carga de menor tamaño.
  - Siga las instrucciones del fabricante para lograr un uso apropiado.
  - Use una taza con un pico vertedor para evitar derrames. No deje que el blanqueador se salpique, gotee, o se corra dentro de la canasta de la lavadora.
  - Use solamente blanqueador con cloro líquido en este depósito.
3. (PASO OPCIONAL) Vierta una medida de suavizante de telas líquido en el depósito de suavizante de telas líquido. El suavizante se incorpora automáticamente durante la etapa de enjuague del ciclo.



Diluya el suavizante líquido de telas llenando el depósito con agua tibia hasta que el líquido llegue a la línea superior marcada dentro del depósito.

- No derrame ni gotee el suavizante de telas sobre las prendas.
  - Use solamente suavizante de telas líquido en este depósito.
- NOTA:** No lave la ropa mientras el depósito del suavizante de telas esté fuera de su lugar.
4. Cierre la tapa de la lavadora. La lavadora no llena, ni agita ni exprime con la tapa abierta.
5. Presione el botón de nivel de agua (WATER LEVEL) para seleccionar el ajuste apropiado para la carga y el tipo de tela que se va a lavar. Para una carga mediana, la luz indicadora estará encendida; para una carga grande, la luz estará apagada.
- Seleccione un nivel de agua que permita que la carga se mueva libremente para el mejor cuidado de las telas. Vea "Cómo cargar".
  - Usted puede cambiar el ajuste del nivel de agua mientras la lavadora se está llenando. Si cambia de alta a mediana pero se ha llenado de agua más del medio, en la próxima se llenará hasta la mitad.

6. Fije la temperatura del agua para el tipo de tejido y suciedad que va a lavar. Use el agua de lavado más caliente que la tela pueda resistir. Siga las instrucciones de la etiqueta de las prendas.

#### Para instalaciones portátiles

Las temperaturas de lavado y enjuague están fijadas en el grifo. El control de la temperatura de lavado/enjuague no fija la temperatura.

Ajuste los grifos de agua caliente y fría a la temperatura de lavado deseada. Mantenga el control de temperatura de lavado/enjuague fijo en fría/fría (COLD/COLD).

**NOTA:** El ajuste fría/fría permite que el agua del grifo entre en la lavadora, pero no controla la temperatura del agua que entra.

- Para que la temperatura de enjuague sea diferente de la temperatura de lavado, deberá ajustar la temperatura del agua en el grifo después de que la lavadora haya completado el llenado inicial.
- Para probar la temperatura del agua, presione el botón rojo del flujo de agua que está sobre el conector de la manguera.

#### Para instalaciones permanentes

Presione el botón de temperatura de lavado/enjuague (WASH/RINSE TEMPERATURE) para fijar la temperatura de lavado. Para un lavado con agua caliente, estará encendida la luz superior; para el agua fría estará encendida la luz inferior y para el agua tibia estarán encendidas ambas luces. En todos los ciclos el enjuague es con agua fría.

#### Cómo seleccionar la temperatura del agua

Temperatura del agua	Para usar con
Caliente	Ropa blanca y de color pastel Suciedad profunda
Tibia	Colores brillantes Suciedad entre moderada y ligera
Fría	Colores que destiñen o que se opacan Suciedad ligera

**NOTA:** En temperaturas de agua de lavado inferiores a 70°F (21°C), los detergentes no se disuelven bien. Además puede ser difícil quitar la suciedad. Algunas telas pueden retener las arrugas del uso y aumentar la formación de motitas (la formación de pequeñas bolitas en la superficie de las prendas).

7. Presione el botón de seleccionar el ciclo (CYCLE SELECTOR) para elegir el ciclo de lavado que desee. Vea "Ciclos".
8. Presione Inicio/Apagado (START/OFF).

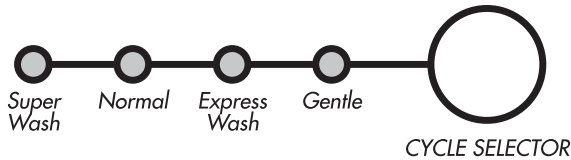
#### Para detener o reanudar la marcha de la lavadora

- Para detener la lavadora en cualquier momento, levante la tapa y el ciclo hará una pausa.
- Para volver a iniciar la lavadora, cierre la tapa y el ciclo se reanudará.

## Ciclos

Esta sección describe los ciclos de lavado disponibles y le ayudará a hacer las mejores selecciones de ciclos para sus cargas de lavado. Cada ciclo fue diseñado para distintos tipos de tela y niveles de suciedad.

- La lavadora hace una breve pausa durante cada ciclo. Estas pausas son normales. Consulte la sección “Sonidos normales” para mayor información respecto a los sonidos que podría oír durante un ciclo de lavado.
- Consulte “Para comprender los ciclos de la lavadora” para aprender lo que sucede durante un ciclo de lavado.



### Lavado super (Super Wash)

Use este ciclo para obtener 16 minutos de tiempo de lavado para cargas resistentes o con suciedad pesada. El lavado combina una agitación a alta velocidad y un exprimido a alta velocidad para una remoción máxima de la suciedad.

### Lavado normal

Use este ciclo para obtener 12 minutos de tiempo de lavado para artículos de algodón y lino con suciedad normal. El lavado combina una agitación a velocidad media y exprimido a alta velocidad para acortar la duración del secado.

### Lavado expreso (Express Wash)

Use este ciclo para obtener 6 minutos de tiempo de lavado. Úselo para cargas pequeñas de artículos con suciedad ligera que usted necesite con urgencia. El lavado combina una agitación a alta velocidad y un exprimido a alta velocidad para acortar la duración del secado.






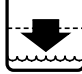


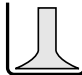
### Lavado suave (Gentle)

Use este ciclo para obtener 8 minutos de tiempo de lavado para artículos de lencería y tejidos sueltos. El lavado combina una agitación a baja velocidad para la remoción delicada de la suciedad y un exprimido a alta velocidad para acortar la duración del secado.

## Para comprender los ciclos de la lavadora

Cuando se selecciona un ciclo, la tapa de la lavadora está cerrada y se oprime Inicio/Apagado (START/OFF), la lavadora se llena (hasta el tamaño de carga seleccionado) antes de que comience la agitación y la medida del tiempo. La tapa debe estar cerrada durante el funcionamiento. La lavadora no llena, ni agita ni exprime con la tapa abierta.

**NOTA:** La lavadora hace una breve pausa durante cada ciclo. Estas pausas son normales en el funcionamiento de la lavadora.

LAVADO	ENJUAGUE
 1. Llena	 1. Llena
 2. Lava el tiempo seleccionado	 2. Enjuaga
 3. Desagua Sin agitación	 3. Desagua Sin agitación
 4. Exprime	 4. Exprime
	 5. Apagado

## Sonidos normales

Su nueva lavadora puede producir sonidos que su vieja lavadora no hacía. Como se trata de sonidos con los que usted no está familiarizado, quizás le preocupen. Estos sonidos son normales.

### Durante el desagüe

Si el agua de su lavadora se desagua rápidamente (dependiendo de su instalación), usted podrá oír el aire succionado a través de la bomba durante la parte final del desagüe.

### Después del desagüe y antes del exprimido

Al cambiar el ciclo de desagüe a exprimido, usted podrá oír los engranajes que cambian de velocidad.



# CONSEJOS DE LAVANDERÍA

## Preparación de la ropa para lavar

Siga estas recomendaciones para ayudarle a prolongar la vida de sus prendas de vestir.

- Cierre los zípers, broches de presión y corchetes para evitar que enganchen otros artículos. Quite alfileres, hebillas y demás objetos duros para evitar que rayen el interior de la lavadora. Quite todo adorno y ornamento que no sea lavable.
- Vacíe los bolsillos y vuélvalos al revés.
- Doble los puños y limpie con un cepillo la pelusa y la suciedad.
- Vuelva al revés las prendas de tejido sintético para evitar que se llenen de pelusas.
- Ate los cordones y fajas de modo que no se enreden.
- Remiende lo que esté roto así como las costuras y dobladillos flojos.
- Trate las manchas y suciedades.
- Las prendas manchadas o mojadas deberán lavarse con prontitud para obtener mejores resultados.

## Selección de la ropa

- Separe las prendas con suciedad rebelde de las que están ligeramente sucias, aún cuando éstas normalmente se lavarían juntas. Separe las prendas que sueltan pelusas (toallas, felpilla) de las que atraen pelusas (pana, fibras sintéticas y planchado permanente). Siempre que sea posible, vuelva al revés las prendas que sueltan pelusa.
- Separe los colores oscuros de los colores claros, los artículos no desteñibles de los que sí lo son.
- Separe por tipo de tela y estructura (prendas fuertes de algodón, tejidos de punto y prendas finas).

## Cómo descargar

- Saque la ropa de la lavadora luego de que se haya completado el ciclo. Los objetos metálicos como cierres, broches a presión y hebillas pueden herrumbrarse si se dejan en la lavadora por un largo período de tiempo.

## Cómo cargar

### Sugerencias para cargar

Para estas cargas de volumen completo recomendadas, coloque el selector del nivel de agua (WATER LEVEL) hacia el ajuste más alto.

### LAVADORAS COMPACTAS

#### Ropa de trabajo pesada

2 pantalones  
3 camisas de trabajo

#### Tejidos de punto

2 pantalones  
2 camisas  
-o-  
3 vestidos

#### Toallas

9 toallas de baño  
-o-  
6 toallas de baño  
3 toallas de mano  
6 toallas faciales

#### Carga mixta

1 pantalón  
2 fundas  
2 camisas  
1 camiseta

#### Planchado permanente

6 camisas  
-o-  
2 sábanas dobles  
2 fundas  
-o-  
2 sábanas de una plaza  
2 fundas

#### Artículos delicados

1 camisola  
2 fondos  
2 pantaletas  
2 sujetadores  
1 camisón  
1 medio fondo

# CUIDADO DE LA LAVADORA

## Limpieza de su lavadora

### Limpieza del exterior

Use un paño húmedo y suave o una esponja para limpiar cualquier derrame como el de detergente o el de blanqueador. De vez en cuando limpie el exterior de su lavadora para que continúe luciendo como nueva.

### Limpieza del interior

Agregue 1 taza (250 mL) de blanqueador con cloro y 1 cucharada o tapa llena de detergente en la lavadora. Póngala a funcionar por un ciclo normal usando agua caliente. Repita este procedimiento si fuera necesario.

**NOTA:** Quite cualquier depósito de agua dura empleando únicamente productos de limpieza, cuya etiqueta indique que pueden ser usados en lavadoras.

### Limpieza del filtro de pelusa:

Limpie el filtro después de cada carga.

1. Agarre la parte superior del depósito del suavizante de telas y jale directamente para quitarlo. El filtro de pelusa está fijo al extremo del eje.
2. Lave el filtro de pelusa o pásele un paño húmedo para limpiarlo.
3. Empuje con firmeza el depósito del suavizante de telas y el filtro de pelusa nuevamente en el agitador.

### Limpieza del depósito del suavizante líquido de telas:

Enjuague el depósito del suavizante de telas periódicamente con agua tibia.

1. Agarre la parte superior del depósito y jale hacia arriba para quitarlo.
2. Enjuague el depósito con agua tibia. Vuelva a colocarlo en su lugar después de limpiarlo.

**NOTA:** Para evitar daños en la lavadora o en las prendas, no lave la ropa mientras el depósito del suavizante de telas esté fuera de su lugar. No agregue detergente o blanqueador en este depósito ya que es para uso exclusivo del suavizante líquido de telas.

## Mangueras de entrada de agua

Reemplace las mangueras de entrada de agua después de cinco años de uso para reducir el riesgo de fallas. Inspeccione periódicamente y cambie las mangueras si se hallan protuberancias, torceduras, cortes, desgaste o pérdidas de agua.

Cuando reemplace sus mangueras de entrada de agua, anote la fecha de reposición en la etiqueta con un marcador permanente.

## Cuidado para las vacaciones, almacenaje o en caso de mudanza

Instale y almacene su lavadora en un lugar donde no se congele. Debido a que puede quedar algo de agua en las mangueras, la congelación de ésta puede dañar su lavadora. Si va a almacenar o mover su lavadora durante una temporada de invierno riguroso, acondiciónela para el invierno.

### Cuidado durante las vacaciones y períodos sin uso:

Ponga a funcionar su lavadora únicamente cuando esté en casa. Si va a salir de vacaciones o no va a usar la lavadora durante un período largo, usted debe:

- Desenchufar la lavadora o desconectar el suministro de energía.
- Interrumpir el suministro de agua a la lavadora. Esto ayuda a evitar inundaciones accidentales (debido a aumentos en la presión del agua) en ausencia suya.

### Para acondicionar su lavadora para el invierno:

1. Cierre ambos grifos de agua.
2. Desconecte y elimine el agua de las mangueras de entrada de agua.
3. Vierta 1 cuarto (1 L) de anticongelante tipo R.V. en la canasta de la lavadora.
4. Desenchufe la lavadora o desconecte el suministro de energía.

### Para volver a usar la lavadora:

1. Deje correr agua por los tubos y mangueras.
2. Vuelva a conectar las mangueras de entrada de agua.
3. Abra ambos grifos de agua.
4. Enchufe la lavadora o reconecte el suministro de energía.
5. Ponga a funcionar la lavadora en cualquier ciclo usando la ½ de la cantidad normalmente recomendada de detergente para eliminar los restos del anticongelante.

### Para transportar la lavadora:

1. Cierre ambos grifos de agua.
2. Desconecte y elimine el agua de las mangueras de entrada de agua.
3. Si va a mover la lavadora durante una temporada de invierno riguroso, coloque 1 cuarto (1 L) de anticongelante tipo R.V. en la canasta.
4. Desconecte la manguera de desagüe del sistema de desagüe.
5. Desenchufe el cable de suministro de energía.
6. Coloque las mangueras de entrada de agua en la canasta.
7. Cuelgue el cable eléctrico y la manguera de desagüe sobre el borde y hacia dentro de la canasta.

### Reinstalación de la lavadora

1. Siga las instrucciones de instalación para su modelo para ubicar, nivelar y conectar la lavadora.
2. Ponga a funcionar la lavadora en cualquier ciclo usando la ½ de la cantidad recomendada de detergente para eliminar los restos del anticongelante, de haberlo usado.

# SOLUCIÓN DE PROBLEMAS

En primer lugar, pruebe las soluciones sugeridas aquí y posiblemente se evite el gasto de una llamada de servicio técnico...

## La lavadora no se llena, ni enjuaga ni lava

- **¿Está abierta la tapa?**  
La tapa debe estar cerrada durante el funcionamiento. La lavadora no llena, ni agita ni exprime con la tapa abierta.
- **¿Parece que el nivel del agua está demasiado bajo, o parece que la lavadora no se llena por completo?**  
La parte superior del agitador está mucho más alta que el nivel más alto del agua. Esto da la impresión de que la lavadora no se llena por completo. Esto es normal.
- **Verifique lo siguiente:**  
¿Está el cable eléctrico enchufado en un contacto de conexión a tierra de 3 terminales?  
¿Hay corriente en el enchufe? Revise la fuente de electricidad o llame a un electricista.  
¿Están abiertos los grifos del agua caliente y del agua fría?  
¿Está retorcida la manguera de entrada del agua?  
¿Están obstruidos los filtros de la válvula de entrada del agua?

## La lavadora se detiene

- **Verifique lo siguiente:**  
¿Está el cable eléctrico enchufado en un contacto de conexión a tierra de 3 terminales?  
¿Están abiertos los grifos del agua caliente y del agua fría?  
¿Está retorcida la manguera de entrada del agua?  
¿Están obstruidos los filtros de la válvula de entrada del agua?
- **¿Hay corriente en el enchufe?**  
Revise la fuente de electricidad o llame a un electricista.
- **¿Se ha quemado algún fusible o se ha disparado el disyuntor?**  
Si el problema continúa llame a un electricista.
- **¿Está usando un cable eléctrico de extensión?**  
No use un cable eléctrico de extensión.
- **¿Está sobrecargada la lavadora?**  
Lave cargas más pequeñas. Vea “Puesta en marcha de la lavadora” para informarse sobre el tamaño máximo de carga.
- **¿Está abierta la tapa?**  
La tapa debe estar cerrada durante el funcionamiento. La lavadora no llena, ni agita ni exprime con la tapa abierta.

## La lavadora no desagua ni exprime

- **¿Está obstruida la manguera de desagüe, o el extremo de la manguera de desagüe está a más de 72" (183 cm) por encima del piso (48" [122 cm] para las lavadoras portátiles)?**  
Consulte las instrucciones de instalación de su modelo para la instalación adecuada de la manguera de desagüe.
- **¿Está abierta la tapa?**  
La tapa debe estar cerrada durante el funcionamiento. La lavadora no llena, ni agita ni exprime con la tapa abierta.

- **¿Hay demasiada espuma?**  
Siempre mida el detergente. Siga las indicaciones del fabricante. Si tiene agua muy suave, quizás necesite usar menos detergente.
- **¿Está bajo el voltaje?**  
Revise la fuente de electricidad o llame a un electricista. No use un cable eléctrico de extensión.

## La lavadora continúa llenando o desaguando, o el ciclo parece estar atascado

- **¿La manguera de desagüe encaja de manera forzada en el tubo vertical o está adherida con cinta al tubo vertical?**  
La manguera de desagüe debe estar floja pero debe encajar bien. No selle la manguera de desagüe con cinta adhesiva. La manguera necesita una abertura para el flujo de aire. Consulte las “Instrucciones para la instalación permanente”.
- **¿Está el extremo de la manguera de desagüe a menos de 39" (99 cm) por encima del piso (27" [68,9 cm] para las lavadoras portátiles)?**  
Consulte las instrucciones de instalación de su modelo para la instalación adecuada de la manguera de desagüe.

## La lavadora hace ruidos

- **¿Está la carga equilibrada y la lavadora nivelada?**  
La carga de lavado deberá estar equilibrada. Vea “Puesta en marcha de su lavadora” para informarse sobre el tamaño máximo de carga.  
La lavadora debe estar nivelada. Consulte las instrucciones de instalación para su modelo.  
¿Puede escuchar el rociado del agua? Ésta es parte de la acción de lavado.  
Si se escurre rápidamente el agua de la lavadora, usted podrá oír el aire que se succiona a través de la bomba. Esto ocurre durante la fase final del desagüe. Es normal.  
Al cambiar del ciclo de lavado al de desagüe o exprimido, es posible que escuche un ruido mientras la caja de engranajes cambia de velocidad. Esto es normal.
- **¿Está lavando artículos con broches metálicos a presión, hebillas o zípers?**  
Usted podrá escuchar el ruido producido por los artículos al tocar la canasta. Esto es normal.
- **¿Está lavando una carga pequeña?**  
Se escucharán más sonidos de salpicado cuando lave cargas pequeñas. Esto es normal.
- **¿Se ha instalado la lavadora sobre un piso firme?**  
Consulte las instrucciones de instalación para informarse respecto a los requisitos del piso.

## La lavadora pierde agua

- **Verifique lo siguiente:**  
¿Están ajustadas las mangueras de llenado? ¿Están debidamente colocadas las arandelas de las mangueras de llenado? ¿Se ha instalado debidamente la abrazadera de la manguera de desagüe o el adaptador del grifo? Consulte las instrucciones de instalación para su modelo.

- **¿Está obstruido el lavadero o el desagüe?**  
El lavadero, el desagüe del piso y el tubo vertical deberán tener la capacidad de desplazar 7 gal. (26,6 L) de agua por minuto para las instalaciones portátiles y 13 gal. (49,2 L) de agua por minuto para las instalaciones permanentes.
- **¿Está desviándose el agua fuera del aro del tambor o de la carga?**  
La carga de lavado debe estar equilibrada y no sobrecargada. Si no lo está, el llenado o los enjuagues por rocío pueden desviarse de la carga.  
  
La lavadora debe estar nivelada. Consulte las instrucciones de instalación para su modelo.
- **¿Ha instalado la manguera de desagüe en un tubo vertical o en un lavadero?**  
Consulte las “Instrucciones para la instalación permanente”.
- **Revise la plomería de la casa y fíjese si hay fugas de agua.**

---

### La canasta de la lavadora está torcida

---

- **¿Ha jalado hacia adelante la canasta de la lavadora al cargar la ropa?** Empuje la canasta al centro antes de comenzar a lavar.
- **¿Está la carga equilibrada y la lavadora nivelada?**  
La carga de lavado deberá estar equilibrada.  
  
La lavadora debe estar nivelada. Consulte las instrucciones de instalación para su modelo.
- **La canasta de la lavadora se mueve durante el lavado.**  
Esto es normal.

---

### Los depósitos están obstruidos o hay fugas

---

- **¿Se han colocado los productos de lavandería en el depósito apropiado?**  
Agregue las cantidades adecuadas de detergente en polvo, blanqueador líquido con cloro o suavizante de telas en el depósito apropiado. Puede agregar el blanqueador no decolorante en polvo en el depósito de detergente. El detergente líquido se debe agregar en el fondo de la canasta de la lavadora.
- Asegúrese de combinar el blanqueador en polvo no decolorante con el detergente en polvo o de combinar el blanqueador líquido no decolorante con el detergente líquido. Use solamente blanqueador con cloro líquido en el depósito para el blanqueador.

---

### Ropa demasiado mojada

---

- **Los enjuagues con agua fría dejan las cargas más mojadas que los enjuagues con agua tibia.** Esto es normal.

---

### Residuos o pelusa en la ropa

---

- **¿Ha agregado detergente en polvo en el depósito?**  
Para obtener óptimos resultados, use el depósito para disolver el detergente en polvo. Agregue el detergente líquido directamente en el fondo de la canasta de lavado.

- **¿Ha separado la ropa adecuadamente?**  
Separe las prendas que sueltan pelusa (toallas, felpilla) de las que atraen pelusa (pana, artículos sintéticos). También sepárelas por color.
- **¿Ha sobrecargado la lavadora?**  
La carga debe estar equilibrada. Vea “Puesta en marcha de la lavadora” para informarse sobre el tamaño máximo de carga. Si la lavadora está sobrecargada, la pelusa puede quedar adherida a las prendas. Lave cargas más pequeñas.
- **¿Se dejó papel o pañuelo de papel en los bolsillos?**
- **¿Ha usado suficiente detergente?**  
Siga las indicaciones del fabricante. Use suficiente detergente para mantener la pelusa en el agua.
- **¿Está la temperatura del agua por debajo de 70°F (21°C)?**  
El agua de lavado con una temperatura inferior a 70°F (21°C) quizás no disuelva por completo el detergente.
- **¿Está usando un ciclo de lavado suave?**  
Trate de utilizar detergente líquido para los ciclos de velocidad baja como suave (Gentle) o delicado (Delicate).

---

### Manchas en la ropa

---

- **¿Ha agregado detergente en polvo en el depósito?**  
Para obtener óptimos resultados, use el depósito para disolver el detergente en polvo. Agregue el detergente líquido directamente en el fondo de la canasta de lavado.
- **¿Ha usado suficiente detergente?**  
Use suficiente detergente para quitar la suciedad y mantenerla en suspensión. Agregue las cantidades recomendadas por el fabricante.
- **¿Ha agregado el suavizante de telas directamente a la carga?** Use el depósito del suavizante de telas. No deje escurrir el suavizante de telas sobre la ropa.
- **¿Hay hierro (óxido) por encima del promedio en el agua?**  
Tal vez necesite instalar un filtro de óxido ferroso.
- **¿Ha separado la ropa adecuadamente?**  
Separe las prendas de color oscuro de las blancas y claras.
- **¿Ha descargado la lavadora con rapidez?**  
Para evitar la transferencia de tintes, descargue la lavadora tan pronto como se detenga.
- **¿Ha usado detergente en polvo en un ciclo de baja velocidad?**  
Considere el empleo de un detergente líquido.
- **¿Ha agregado detergente, blanqueador con cloro o suavizante de telas demasiado tarde en el ciclo?**  
Se debe agregar el detergente en polvo, el blanqueador con cloro y el suavizante de telas en los depósitos antes de que comience la lavadora. Agregue el detergente líquido directamente en el fondo de la canasta de lavado.

---

### La ropa está arrugada

---

- **¿Ha descargado la lavadora con rapidez?**  
Descargue la lavadora tan pronto como se detenga.
- **¿Ha sobrecargado la lavadora?**  
La carga de lavado debe estar equilibrada y sin sobrecarga. Las prendas deben moverse con facilidad durante el lavado.
- **¿Se han invertido las mangueras del agua caliente y del agua fría?**  
Cerciórese de que las mangueras del agua caliente y del agua fría estén conectadas a los grifos correctos. Consulte las “Instrucciones para la instalación permanente”.

---

## La ropa está enredada o enroscada

---

- **¿Ha sobrecargado la lavadora?**  
Vea “Puesta en marcha de la lavadora” para informarse sobre el tamaño máximo de carga. Las prendas deben moverse con facilidad durante el lavado.

---

## Ropa blanca percutida y colores opacos

---

- **¿Ha separado la ropa adecuadamente?**  
Siempre que mezcle ropa blanca y de color en una carga puede ocurrir una transferencia de tintes. Separe las telas de color oscuro de las blancas y claras.
- **¿Estaba la temperatura del agua demasiado baja?**  
Para lavar use agua caliente o tibia que no afecte la ropa. Cerciórese de que el sistema de agua caliente sea el adecuado para proveer un lavado con agua caliente.
- **¿Ha usado suficiente detergente o tiene agua dura?**  
Use más detergente cuando lave prendas con suciedad rebelde en agua fría o dura. La temperatura del agua debe estar por lo menos a 70°F (21°C) para disolver el detergente y trabajar adecuadamente.

---

## Prendas deterioradas

---

- **Verifique lo siguiente:**  
¿Se han quitado los artículos puntiagudos de los bolsillos antes del lavado?  
Vacíe los bolsillos, cierre los zípers, los broches de presión y los corchetes antes del lavado.  
¿Se ataron los cordones y fajas para evitar que se enreden?  
¿Se dañaron las prendas antes del lavado?  
Remiende lo que esté roto y descosido antes del lavado.
- **¿Ha sobrecargado la lavadora?**  
Vea “Cómo cargar” para informarse sobre el tamaño máximo de carga.
- **¿Ha agregado correctamente el blanqueador con cloro?**  
No vierta el blanqueador con cloro directamente en la carga. Use el depósito del blanqueador líquido con cloro. Limpie los derrames del blanqueador. El blanqueador no diluido daña los tejidos. No coloque los artículos sobre el depósito del blanqueador cuando ponga o quite la ropa de la lavadora.
- **¿Ha seguido las instrucciones de la etiqueta de cuidado proporcionadas por el fabricante?**

---

## La temperatura de lavado no es la que yo seleccioné

---

- **Para las instalaciones permanentes: ¿Se han invertido las mangueras de entrada del agua caliente y del agua fría?**  
A medida que el lavado progresa, la temperatura de lavado disminuirá ligeramente en lavados calientes y tibios. Esto es normal.

### Para las instalaciones portátiles: ¿Se ha fijado la temperatura de lavado en Cold/Cold (Fría/Frías)?

Consulte las “Instrucciones para la instalación portátil”.

---

# AYUDA O SERVICIO TÉCNICO

Antes de solicitar ayuda o servicio técnico, por favor consulte la sección “Solución de Problemas”. Esto le podría ahorrar el costo de una visita de servicio técnico. Si considera que aún necesita ayuda, siga las instrucciones que aparecen a continuación.

Cuando llame, tenga a mano la fecha de compra y el número completo del modelo y de la serie de su electrodoméstico. Esta información nos ayudará a atender mejor a su pedido.

### Si necesita piezas de repuesto

Si necesita pedir refacciones, recomendamos que use únicamente partes especificadas de fábrica. Estas piezas encajarán bien y funcionarán bien ya que están fabricadas con la misma precisión empleada en la fabricación de cada electrodoméstico nuevo de CROSLEY®. Para encontrar piezas de repuesto en su localidad, llame a nuestro Centro de interacción del cliente o póngase en contacto con el centro de servicio designado más cercano a su localidad.

### Para solicitar ayuda o servicio técnico

Llame al Centro de interacción del cliente de Whirlpool sin costo alguno al **1-800-253-1301**.

### Nuestros consultores ofrecen ayuda para:

- Características y especificaciones de nuestra línea completa de electrodomésticos.
- Información sobre la instalación.
- Procedimiento para el uso y mantenimiento.
- Venta de accesorios y partes para reparación.
- Asistencia especializada para el consumidor (habla hispana, problemas de audición, visión limitada, etc.).
- Recomendaciones con distribuidores locales, compañías que dan servicio y distribuidores de partes para reparación.

Los técnicos de servicio designados por Whirlpool están entrenados para cumplir con la garantía de producto y ofrecer servicio una vez que la garantía termine, en cualquier lugar de los Estados Unidos.

Para localizar a una compañía de servicio designada por Whirlpool en su área, también puede consultar la sección amarilla de su guía telefónica.

### Para obtener asistencia adicional

Si necesita asistencia adicional, puede escribirnos con sus preguntas o dudas a:

Crosley Corporation  
c/o Correspondence Dept.  
675 North Main Street  
Winston-Salem, NC 27102-2111

Por favor incluya en su correspondencia un número de teléfono en el que se le pueda localizar durante el día.

# GARANTÍA DE LA LAVADORA COMPACTA CROSLEY®

## GARANTÍA TOTAL DE UN AÑO

Durante un año a partir de la fecha de compra, siempre y cuando se dé a esta lavadora un uso y mantenimiento de conformidad con las instrucciones adjuntas o provistas con el producto, Whirlpool Corporation se hará cargo del costo de las piezas especificadas de fábrica y de los gastos del trabajo de reparación para corregir defectos en los materiales o en la mano de obra. El servicio deberá ser suministrado por una compañía de servicio designada por Whirlpool.

## GARANTÍA LIMITADA DEL SEGUNDO AL QUINTO AÑO PARA LA PARTE SUPERIOR, LA TAPA Y EL ENSAMBLAJE DE LA CAJA DE ENGRANAJES

Durante el segundo al quinto año desde la fecha de compra, cuando esta lavadora sea operada y mantenida de acuerdo a las instrucciones adjuntas o provistas con el producto, Whirlpool Corporation pagará por las piezas especificadas de fábrica para los siguientes componentes, para corregir defectos de material o de mano de obra: parte superior y tapa (si se oxidaran); cualquier parte del ensamblaje de la caja de engranajes.

## GARANTÍA LIMITADA DEL SEGUNDO HASTA EL DÉCIMO AÑO PARA EL TAMBOR EXTERIOR

Durante el segundo al décimo año a partir de la fecha de compra, siempre y cuando se dé a esta lavadora un uso y mantenimiento de conformidad con las instrucciones adjuntas o provistas con el producto, Whirlpool Corporation se hará cargo del costo de las piezas especificadas de fábrica para el tambor exterior en caso de que éste se rompiera o no retuviera el agua, si tuviera defectos de materiales o de fabricación.

### Whirlpool Corporation no pagará por:

1. Visitas de servicio técnico para corregir la instalación de su lavadora, para enseñarle a usar su lavadora, para cambiar fusibles domésticos o para corregir la instalación eléctrica o de la tubería de la casa.
2. Reparaciones cuando su lavadora ha sido empleada para fines ajenos al uso doméstico normal de una sola familia.
3. Daños causados por accidente, alteración, uso indebido, abuso, incendio, inundación, actos fortuitos, instalación incorrecta, instalación que no cumple con los códigos de electricidad y de plomería locales o el empleo de productos no aprobados por Whirlpool Corporation.
4. Cualquier gasto de mano de obra durante los períodos de la garantía limitada.
5. Piezas de repuesto o gastos de reparación para electrodomésticos que se empleen fuera de los Estados Unidos o Canadá.
6. Recogida y entrega. Este producto está diseñado para ser reparado en el hogar.
7. Reparaciones de piezas o sistemas como resultado de modificaciones no autorizadas que se hayan efectuado en el electrodoméstico.
8. En Canadá, gastos de viaje o de transporte para clientes que residen en zonas distantes.

### WHIRLPOOL CORPORATION NO SE RESPONSABILIZARÁ POR DAÑOS INCIDENTALES O CONSECUENTES.

Algunos estados y provincias no permiten la exclusión o limitación de daños incidentales o consecuentes, de modo que esta exclusión o limitación quizás no le corresponda. Esta garantía le da derechos legales específicos y Ud. también puede tener otros derechos que varían de un estado a otro o de una provincia a otra.

**Esta garantía no tiene vigor fuera de los cincuenta Estados Unidos y Canadá. Póngase en contacto con el distribuidor autorizado de Crosley para determinar si corresponde otra garantía.**

Si necesita servicio técnico, vea primero "Solución de Problemas". Podrá encontrar ayuda adicional al consultar la sección "Ayuda o servicio técnico", al llamar a nuestro Centro de Interacción del Cliente al **1-800-253-1301** desde cualquier lugar de los EE.UU. o al escribir a: Crosley Corporation, c/o Correspondence Dept., 675 N. Main St., Winston-Salem, NC 27102-2111.

11/03

**Guarde este libro y su comprobante de compra juntos para referencia futura. Usted deberá proporcionar el comprobante de la compra o la fecha de instalación para obtener servicio bajo la garantía.**

Anote la siguiente información acerca de su lavadora para facilitar la obtención de asistencia o servicio si llegara a necesitarlo. Deberá tener a mano el número completo del modelo y de la serie. Podrá encontrar esta información en la etiqueta/placa con el número del modelo y de la serie, ubicados en su electrodoméstico.

Nombre del distribuidor \_\_\_\_\_

Dirección \_\_\_\_\_

Número de teléfono \_\_\_\_\_

Número de modelo \_\_\_\_\_

Número de serie \_\_\_\_\_

Fecha de compra \_\_\_\_\_

# SÉCURITÉ DE LA LAVEUSE

## Votre sécurité et celle des autres est très importante.

Nous donnons de nombreux messages de sécurité importants dans ce manuel et sur votre appareil ménager. Assurez-vous de toujours lire tous les messages de sécurité et de vous y conformer.



Voici le symbole d'alerte de sécurité.

Ce symbole d'alerte de sécurité vous signale les dangers potentiels de décès et de blessures graves à vous et à d'autres.

Tous les messages de sécurité suivront le symbole d'alerte de sécurité et le mot "DANGER" ou "AVERTISSEMENT". Ces mots signifient :

**⚠ DANGER**

**Risque possible de décès ou de blessure grave si vous ne suivez pas immédiatement les instructions.**

**⚠ AVERTISSEMENT**

**Risque possible de décès ou de blessure grave si vous ne suivez pas les instructions.**

Tous les messages de sécurité vous diront quel est le danger potentiel et vous disent comment réduire le risque de blessure et ce qui peut se produire en cas de non-respect des instructions.

## IMPORTANTES INSTRUCTIONS DE SÉCURITÉ

**AVERTISSEMENT** : Pour réduire les risques d'incendie, de choc électrique ou de blessures lors de l'utilisation de la laveuse, suivre les précautions fondamentales dont les suivantes :

- Lire toutes les instructions avant d'utiliser la laveuse.
- Ne pas laver des articles qui ont été nettoyés ou lavés avec de l'essence ou imbibés d'essence, solvants de nettoyage à sec, ou autres substances inflammables ou explosives; ces substances peuvent émettre des vapeurs susceptibles de s'enflammer ou d'exploser.
- Ne pas ajouter d'essence, solvant de nettoyage à sec ou autre produit inflammable ou explosif dans l'eau de lavage. Ces substances peuvent émettre des vapeurs susceptibles de s'enflammer ou d'exploser.
- Dans certaines conditions, de l'hydrogène gazeux peut se former dans un circuit d'eau chaude qui n'a pas été utilisé pendant 2 semaines ou plus. **LE GAZ HYDROGÈNE EST EXPLOSIBLE.** Si le circuit d'eau chaude n'a pas été utilisé pendant une telle période, avant d'utiliser la laveuse, ouvrir tous les robinets d'eau chaude et laisser l'eau s'écouler pendant plusieurs minutes par chaque robinet. Ceci permettra l'évacuation de l'hydrogène gazeux accumulé. Comme ce gaz est inflammable, ne pas fumer ou utiliser une flamme nue au cours de cette période.
- Ne pas laisser des enfants jouer sur ou à l'intérieur de la laveuse. Bien surveiller les enfants lorsque la laveuse est utilisée à proximité d'enfants.
- Avant de mettre la laveuse au rebut ou hors de service, enlever la porte ou le couvercle.
- Ne pas tenter d'atteindre un article à l'intérieur de la cuve de la laveuse lorsque le tambour, la cuve ou l'agitateur est en mouvement.
- Ne pas installer ou remiser cette laveuse à un endroit où elle serait exposée aux intempéries.
- Ne pas modifier les organes de commande.
- Ne pas réparer ou remplacer un composant quelconque de la laveuse, ni entreprendre une opération de service, si ce n'est spécifiquement recommandé dans ce manuel ou dans un manuel d'instructions de réparations destiné à l'utilisateur; il est alors essentiel que la personne concernée comprenne ces instructions et soit compétente pour les exécuter.
- Voir "Spécifications électriques" pour les instructions de liaison à la terre.

**CONSERVEZ CES INSTRUCTIONS**

# EXIGENCES D'INSTALLATION

## Outillage et pièces

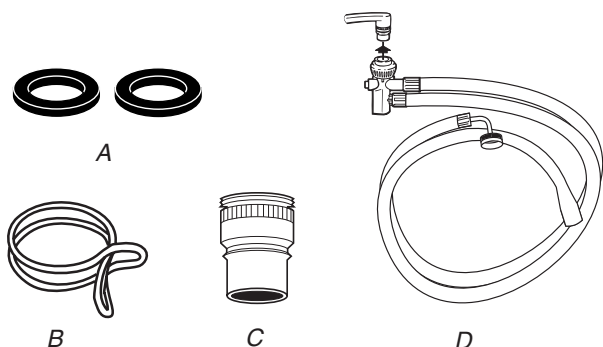
Assembler les outils et pièces nécessaires avant de commencer l'installation de la laveuse. Les pièces fournies sont dans le panier de la laveuse.

### Installation portative

#### Outillage requis :

- Pince qui s'ouvre à 1 $\frac{1}{16}$ " (3,95 cm)
- Couteau tout usage
- Lampe torche (facultative)

#### Pièces fournies :



- A. Rondelles plates pour l'adaptateur du robinet et le tuyau de remplissage  
B. Bride de tuyau argentée, à double fil (pour le bas du tuyau de vidange)  
C. Adaptateur de robinet  
D. Tuyau de remplissage et de vidange

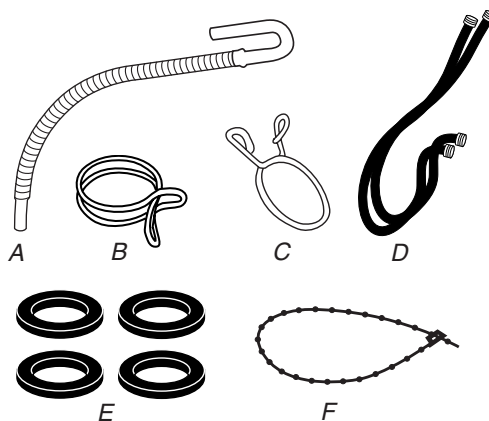
**REMARQUE :** Une trousse est nécessaire pour passer d'une installation définitive à une installation portative. Pour commander, appelez le marchand chez qui vous avez acheté votre laveuse ou consultez la section "Assistance ou service" de ce manuel. Demandez la pièce numéro 3935674.

### Installation définitive

#### Outillage requis :

- Pince qui s'ouvre à 1 $\frac{1}{16}$ " (3,95 cm)
- Lampe torche (facultative)
- Clé plate ou ajustable de  $\frac{9}{16}$ " (14 mm)
- Niveau
- Cale en bois
- Couteau tout usage
- Mètre-ruban

#### Pièces fournies :



- A. Tuyau de vidange  
B. Bride de tuyau argentée, à double fil (pour le bas du tuyau de vidange)  
C. Bride de tuyau jaune, à un fil (pour le sommet du tuyau de vidange)  
D. Tuyaux d'arrivée d'eau (2)  
E. Joints plats pour tuyau d'arrivée d'eau (4)  
F. Attache de fixation perlée

**REMARQUE :** Une trousse est nécessaire pour passer d'une installation portative à une installation définitive. Pour commander, appelez le marchand chez qui vous avez acheté votre laveuse ou consultez la section "Assistance ou service" de ce manuel. Demandez la pièce numéro 4396746.



## Autres pièces

Il se peut que l'installation nécessite des pièces supplémentaires. Pour obtenir des renseignements pour commander, veuillez consulter la section "Assistance ou service" de ce manuel.

Si vous avez :	Vous devrez acheter :
Évier de buanderie ou tuyau de rejet à l'égout de plus de 72" (183 cm)	Système de pompe de puisard (si non déjà disponible)
Tuyau de rejet à l'égout de 1" (2,5 cm) de diamètre	Un adaptateur de 2" (5 cm) à 1" (2,5 cm) de diamètre pour le tuyau de rejet à l'égout, pièce n° 3363920
Égout surélevé	Tuyau de vidange standard de 20 gal. (76 L) de 39" (99 cm) de haut ou évier de décharge, pompe de puisard et connecteurs (disponibles chez les vendeurs de matériel de plomberie locaux)
Siphon de plancher	Brise-vide, pièce n° 285320, tuyau de vidange supplémentaire, pièce n° 3357090 et trousse de connexion, pièce n° 285442
Robinetts d'eau trop loin des tuyaux de remplissage	2 tuyaux de remplissage plus longs : 6 pi (1,8 m) pièce n° 76314, 10 pi (3,0 m) pièce n° 350008
Tuyau de vidange trop court	Tuyau de vidange, pièce n° 388423 et trousse de connexion, pièce n° 285442
Tuyau de vidange trop long	Trousse de connexion, pièce n° 285442
Évacuation bouchée par la charpie	Protecteur d'évacuation, pièce n° 367031

## Exigences de l'emplacement d'installation

La sélection de l'emplacement approprié pour la laveuse permettra d'optimiser sa performance et de minimiser le bruit et les risques de mouvement de la laveuse.

On peut installer la laveuse dans un sous-sol, une buanderie, un placard ou un espace d'encastrement. Voir "Système de vidange".

**IMPORTANT :** Ne pas installer ni remiser la laveuse dans un endroit exposé aux intempéries.

C'est à l'utilisateur du produit qu'incombe la responsabilité de l'installation.

### Il vous faudra :

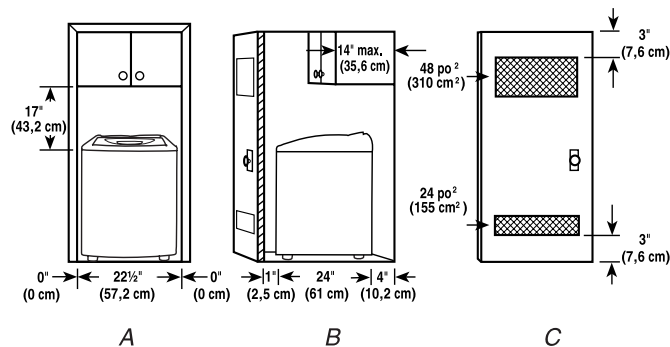
- Chauffe-eau réglé pour fournir à la laveuse de l'eau à 120°F (49°C).
- Prise de courant électrique reliée à la terre, à moins de 5 pi (1,5 m) du point de connexion du cordon d'alimentation à l'arrière de la laveuse. Voir "Spécifications électriques".

- Robinets d'eau chaude et d'eau froide situés à moins de 3½ pi (1,1 m) des électrovannes de remplissage de la laveuse; une pression d'eau de 5-100 lb/po<sup>2</sup> (34,5-690 kPa).
- Plancher de niveau (avec une pente maximale de ¾" (1,9 cm) en-dessous de l'ensemble de la laveuse. L'installation de la laveuse sur un tapis est déconseillée.
- Plancher robuste capable de soutenir la laveuse avec une charge totale (laveuse, eau et linge) de 260 lb (118 kg).

Ne pas ranger ni faire fonctionner la laveuse à des températures égales ou inférieures à 32°F (0°C). Un résidu d'eau dans la laveuse risque de causer des dommages à basse température. Voir "Entretien de la laveuse" pour des renseignements sur l'hivernisation.

## Installation dans un encastrement ou un placard

Les dimensions indiquées ci-après sont pour l'espacement recommandé autorisé, sauf les passages d'air d'une porte de placard. Les dimensions indiquées pour les passages d'air d'une porte de placard sont les espacements minimaux requis.



A. Vue avant

B. Vue de profil

C. Porte de placard avec ouvertures d'aération

- Accorder plus d'espace libre pour faciliter l'installation et l'entretien.
- Un espace libre plus important peut être nécessaire en présence de mur, porte et plinthes.
- On recommande un espace libre additionnel de 1" (2,5 cm) de chaque côté de la laveuse pour minimiser le transfert de bruit.
- Si un placard est fermé par une porte, celle-ci doit comporter des ouvertures d'aération en haut et en bas de dimensions minimales. Des portes à jalousies avec ouvertures de passage d'air en haut et en bas sont acceptables.
- Il faut aussi prendre en compte l'espace requis entre les appareils voisins.

## Spécifications électriques

### **⚠ AVERTISSEMENT**



#### Risque de choc électrique

**Brancher sur une prise à 3 alvéoles reliée à la terre.**

**Ne pas enlever la broche de liaison à la terre.**

**Ne pas utiliser un adaptateur.**

**Ne pas utiliser un câble de rallonge.**

**Le non-respect de ces instructions peut causer un décès, un incendie ou un choc électrique.**

- Alimenter la laveuse au moyen d'un circuit individuel de 120 volts, 60-Hz, CA seulement, protégé par un fusible de 15 ou 20 ampères. On recommande l'emploi d'un fusible temporisé ou disjoncteur. Il est recommandé d'utiliser un circuit distinct pour alimenter uniquement cet appareil.
- Cette laveuse est dotée d'un cordon d'alimentation avec fiche de branchement à 3 broches, pour liaison à la terre.
- Pour minimiser le risque de choc électrique, on doit brancher le cordon d'alimentation sur une prise de courant murale de configuration correspondante (3 alvéoles) reliée à la terre conformément aux codes et règlements locaux. Si une prise de configuration correspondante n'est pas disponible, c'est au client qu'incombe la responsabilité et l'obligation personnelles de faire installer par un électricien qualifié une prise adéquatement mise à la terre.
- Si les codes le permettent et si un conducteur distinct de mise à la terre est utilisé, il est recommandé qu'un électricien qualifié détermine que la liaison à la terre est adéquate.
- Ne pas effectuer la liaison à la terre sur une canalisation de gaz.
- En cas de doute quant à la qualité de la liaison à la terre de la laveuse, vérifier auprès d'un électricien qualifié.
- Ne pas utiliser un fusible dans le circuit neutre ou de liaison à la terre.

### INSTRUCTIONS DE LIAISON À LA TERRE

#### Pour une laveuse reliée à la terre et connectée par un cordon :

Cette laveuse doit être reliée à la terre. En cas d'anomalie de fonctionnement ou de panne, la liaison à la terre réduira le risque de choc électrique en offrant au courant électrique un itinéraire d'évacuation de moindre résistance. Cette laveuse est alimentée par un cordon électrique comportant un conducteur relié à la terre et une fiche de branchement munie d'une broche de liaison à la terre. La fiche doit être branchée sur une prise de courant appropriée qui est bien installée et reliée à la terre conformément à tous les codes et règlements locaux.

**AVERTISSEMENT :** Le raccordement incorrect de cet appareil au conducteur de liaison à la terre peut susciter un risque de choc électrique. En cas de doute quant à la qualité de la liaison à la terre de l'appareil, consulter un électricien ou technicien d'entretien qualifié.

Ne pas modifier la fiche de branchement fournie avec l'appareil – si la fiche ne correspond pas à la configuration de la prise de courant, demander à un électricien qualifié d'installer une prise de courant convenable.

#### Pour une laveuse raccordée en permanence :

Cette laveuse doit être raccordée à un système de câblage permanent en métal relié à la terre ou un conducteur relié à la terre doit être en fonction avec les conducteurs de circuit et raccordés à la borne de liaison à la terre ou la borne sur l'appareil ménager.

### Élimination du matériel d'expédition

Avant d'installer votre laveuse, éliminer tout le matériel d'expédition.

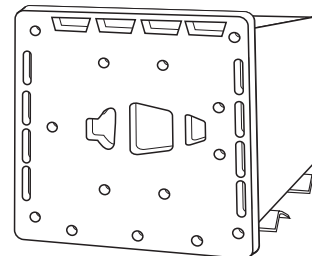
### **⚠ AVERTISSEMENT**

#### Risque du poids excessif

**Utiliser deux ou plus de personnes pour déplacer et installer la laveuse.**

**Le non-respect de cette instruction peut causer une blessure au dos ou d'autre blessure.**

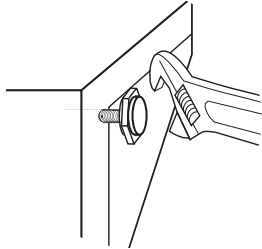
1. Pour protéger le sol, mettre deux cornières de carton du matériau d'emballage par terre au dos de la laveuse.
2. Saisir fermement la caisse de la laveuse et la poser délicatement sur les cornières.



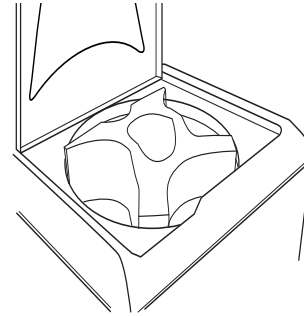
- Retirer l'emballage en mousse de plastique de sous la laveuse.

**Pour les laveuses compactes à installation définitive uniquement :**

Utiliser une clé ajustable pour tourner les pieds de la laveuse vers l'extérieur d'environ  $\frac{3}{4}$ " (1,9 cm). Ceci est le réglage recommandé. Un autre ajustement plus tard sera peut-être nécessaire.



- Redresser la laveuse.
- Retirer le ruban du couvercle de la laveuse. Ouvrir le couvercle de la laveuse et retirer la mousse, le sachet de pièces et les tuyaux du panier de la laveuse. Enlever les étiquettes du tiroir du distributeur. Rabattre le couvercle.



## INSTRUCTIONS D'INSTALLATION PERMANENTE

### Avant de commencer

#### **AVERTISSEMENT**

**Risque du poids excessif**

Utiliser deux ou plus de personnes pour déplacer et installer la laveuse.

Le non-respect de cette instruction peut causer une blessure au dos ou d'autre blessure.

- Placer la laveuse sur du carton pour protéger le plancher, avant de la déplacer.
- Mettre la laveuse à environ 3 pi (90 cm) de son emplacement d'installation final.

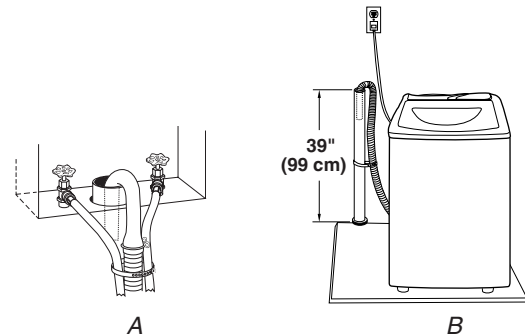
### Système de vidange

Le tuyau de vidange de la laveuse peut être raccordé à un tuyau de rejet à l'égout (mur ou plancher), ou bien on peut rejeter l'eau de vidange dans un évier de buanderie ou un siphon de plancher. Sélectionner la méthode appropriée d'installation du tuyau de vidange. Voir "Outillage et pièces".

#### Raccordement à un tuyau de rejet à l'égout - mur ou plancher (illustrations A et B)

Le diamètre du tuyau de rejet à l'égout doit être d'au moins 2" (5 cm). La capacité d'évacuation minimale (pour les installations permanentes) ne peut être inférieure à 13 gal. (49,2 L) par minute. Un adaptateur de 2" (5 cm) à 1" (2,5 cm) de diamètre est disponible pour le tuyau de rejet à l'égout. Voir "Outillage et pièces".

La partie supérieure du tuyau doit être située au moins à 39" (99 cm) au-dessus du plancher et pas plus de 72" (183 cm) au-dessus du bas de la laveuse.



#### Évier de buanderie (illustration C)

L'évier de buanderie nécessite une capacité d'évacuation minimale de 13 gal. (49,2 L) par minute (pour les installations permanentes).

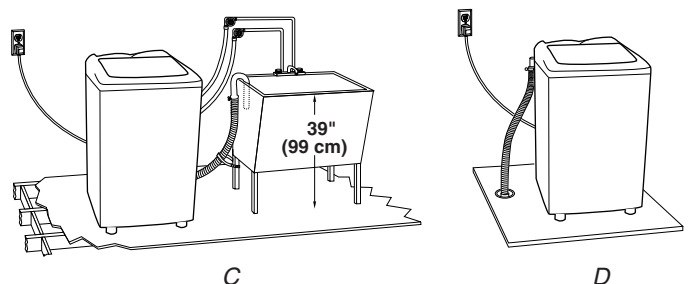
La partie supérieure de l'évier doit être située au moins à 39" (99 cm) au-dessus du sol et 72" (183 cm) (maxi) au-dessus du bas de la laveuse.

#### Siphon de plancher (illustration D)

Le siphon de plancher doit comporter un brise-vide qui peut être acheté séparément. Voir "Outillage et pièces".

Le brise-vide doit être situé au moins à 28" (71 cm) au-dessus du bas de la laveuse. Des tuyaux additionnels peuvent être nécessaires.

La capacité d'évacuation minimale (pour les installations permanentes) ne peut être inférieure à 13 gal. (49,2 L) par minute.



## Raccordement du tuyau de vidange

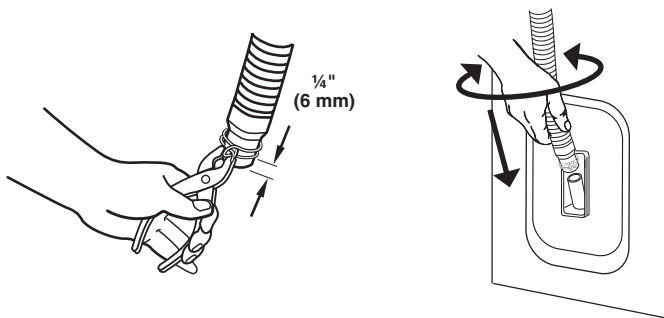
Si le tuyau de vidange est convenablement raccordé, les planchers seront protégés des dommages imputables aux fuites d'eau. Pour que le tuyau de vidange ne puisse pas se détacher ou fuir, on doit l'installer conformément aux instructions suivantes.

**IMPORTANT :** Pour réaliser une installation correcte, il est essentiel de respecter cette procédure.

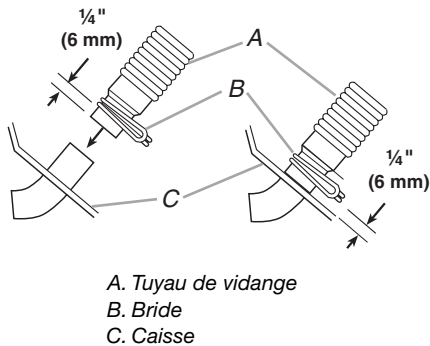
1. S'assurer que le tuyau de vidange est de la bonne longueur.
2. Mouiller la surface intérieure de l'extrémité rectiligne du tuyau de vidange avec l'eau du robinet.

**IMPORTANT :** Ne pas utiliser de lubrifiant autre que de l'eau.

3. Ouvrir la bride à double fil avec une pince et placer la bride sur l'extrémité rectiligne du tuyau de vidange à  $\frac{1}{4}$ " (6 mm) de l'extrémité. Tourner le tuyau dans un sens et dans l'autre tout en engageant l'extrémité du tuyau de vidange sur le raccord de vidange situé au bas de la laveuse. Poursuivre l'opération jusqu'à ce que le tuyau soit en contact avec la caisse.

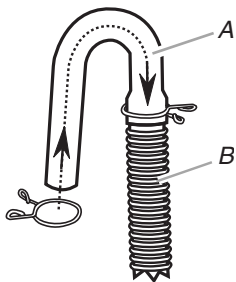


4. Placer la bride à l'endroit marqué "CLAMP" (bride). Relâcher la bride.



### Pour les systèmes de vidange à tuyau de rejet à l'égout ou évier de buanderie :

1. Ouvrir la bride jaune à fil unique avec une pince et l'enfiler sur l'extrémité en col de cygne du tuyau de vidange afin de maintenir ensemble la section de caoutchouc et la section ondulée.

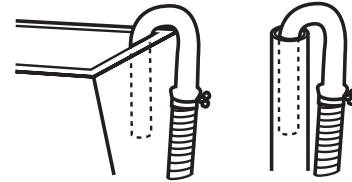


A. Extrémité en col de cygne  
B. Tuyau de vidange

2. Placer l'extrémité en col de cygne du tuyau de vidange dans l'évier de buanderie ou le tuyau de rejet à l'égout. Faire pivoter le crochet pour éliminer les déformations dans le tuyau.

### Pour empêcher l'eau de vidange de refluer dans la laveuse :

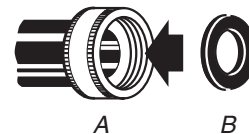
- Ne pas redresser l'extrémité en col de cygne du tuyau de vidange ni forcer l'excédent de tuyau dans le tuyau de rejet à l'égout. Le tuyau de vidange devrait être bien immobilisé, tout en permettant le passage d'air.
- Ne pas mettre l'excédent du tuyau de vidange au fond de l'évier de buanderie.



- Pour l'installation d'un drain de plancher, voir le numéro du nécessaire requis sous "Outillage et pièces".

## Raccordement des tuyaux d'arrivée d'eau

1. Installer un joint plat neuf (fourni) dans chaque extrémité des tuyaux d'arrivée d'eau. Enfoncer fermement chaque joint dans le raccord.

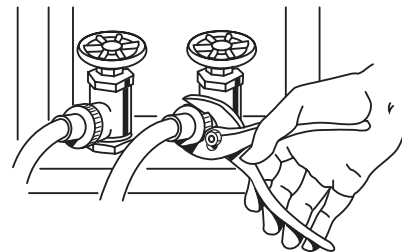


A. Raccord  
B. Joint

### Raccordement des tuyaux d'arrivée d'eau aux robinets

Vérifier que le panier de la laveuse est vide.

2. Connecter le tuyau comportant un raccord rouge au robinet d'eau chaude. Visser complètement le raccord à la main pour qu'il comprime le joint.
3. Connecter le tuyau comportant un raccord bleu au robinet d'eau froide. Visser complètement le raccord à la main pour qu'il comprime le joint.
4. Terminer le serrage des raccords - deux tiers de tour - avec une pince.



**REMARQUE :** Ne pas serrer excessivement. Les électrovannes pourraient être endommagées.

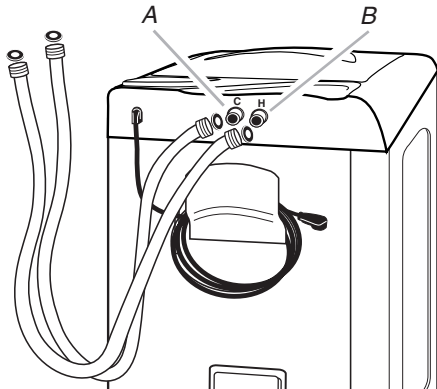
## Purger les canalisations d'eau

5. Faire couler de l'eau par les deux robinets et les tuyaux d'arrivée d'eau, dans un seau ou un évier de buanderie, pour éjecter toutes les particules solides présentes dans la canalisation qui pourraient obstruer les tamis des électrovannes de la laveuse.

## Raccorder les tuyaux d'arrivée d'eau à la laveuse

6. Connecter le tuyau comportant le raccord rouge à l'entrée HOT (chaud - à droite) de l'électrovanne. La connexion du raccord rouge en premier facilite le serrage du raccord avec la pince. Visser complètement le raccord à la main pour qu'il comprime le joint. Terminer le serrage des raccords - deux tiers de tour - avec une pince.

**REMARQUE :** Ne pas serrer excessivement. Les électrovannes pourraient être endommagées.



A. Électrovanne d'alimentation - bleue = eau froide  
B. Électrovanne d'alimentation - rouge = eau chaude

7. Connecter le tuyau comportant le raccord bleu à l'entrée COLD (froid - à gauche) de l'électrovanne. Visser complètement le raccord à la main pour qu'il comprime le joint. Terminer le serrage des raccords - deux tiers de tour - avec une pince.

**REMARQUE :** Ne pas serrer excessivement. Les électrovannes pourraient être endommagées.

## Inspection - recherche des fuites

8. Ouvrir les robinets d'eau; inspecter pour rechercher les fuites. Une petite quantité d'eau peut pénétrer dans la laveuse. Il suffira de la vidanger plus tard.

**REMARQUE :** Remplacer les tuyaux d'arrivée d'eau après 5 ans d'utilisation pour réduire le risque de défaillance intempestive. Prendre note de la date d'installation ou de remplacement des tuyaux d'arrivée d'eau, pour référence ultérieure.

- Si on ne raccorde qu'une canalisation d'eau, il faut mettre un bouchon sur l'autre entrée d'arrivée d'eau.
- Inspecter périodiquement les tuyaux; les remplacer en cas de gonflement, d'écrasement, de coupure, d'usure ou si une fuite se manifeste.

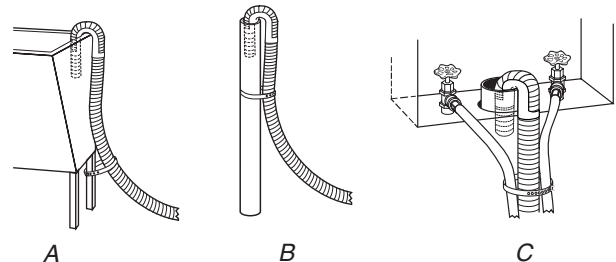
## Immobilisation du tuyau de vidange

1. Faire passer le cordon d'alimentation par-dessus la console.
2. Déplacer la laveuse jusqu'à sa position d'installation finale; enlever la feuille de carton sous la laveuse.
3. Identifier l'attache de fixation perlée (fournie).



Attache de fixation perlée

4. Fixer le tuyau de vidange au pied de l'évier de buanderie ou à la canalisation d'évacuation, avec l'attache de fixation. (Voir les illustrations A et B.)



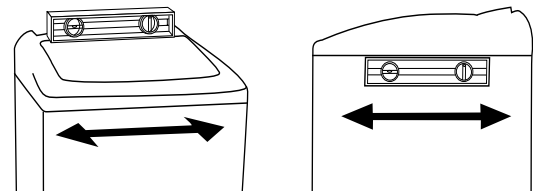
Si les robinets d'eau et la canalisation d'évacuation sont placés dans une cavité d'encastrement, introduire l'extrémité en col de cygne du tuyau de vidange dans la canalisation d'évacuation. (Voir l'illustration C.) Attacher fermement les tuyaux d'arrivée d'eau et le tuyau de vidange ensemble, avec l'attache de fixation.

Ne pas réintroduire de force l'excédent de tuyau de vidange dans la laveuse, par l'arrière.

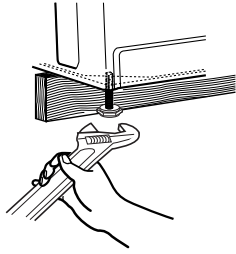
## Réglage de l'aplomb de la laveuse

Un bon aplomb de la laveuse minimisera le bruit et les vibrations.

1. Déplacer la laveuse à son emplacement final.
2. Vérifier que la laveuse est de niveau.
  - Vérifier transversalement et de l'avant vers l'arrière en alignant le niveau - voir l'illustration suivante.



3. Si la laveuse n'est pas de niveau, relever l'avant à l'aide d'une cale de bois et ajuster les pieds vers le haut ou vers le bas au besoin. Si la laveuse est contre un mur, la déplacer légèrement avant de la remettre en place. Répéter ceci jusqu'à l'aplomb parfait de la laveuse.



### Achever l'installation

1. Consulter les spécifications électriques. Vérifier que la tension électrique disponible est correcte et que la prise de courant est convenablement reliée à la terre. Voir "Spécifications électriques".
2. Vérifier que toutes les pièces sont maintenant installées. S'il reste une pièce, étudier attentivement la description de chaque étape pour identifier quelle étape a été omise.
3. Vérifier que tous les outils utilisés sont présents.
4. Éliminer/recycler tout matériau d'emballage. Garder le bouchon de mousse expansée pour utilisation ultérieure si la laveuse doit être déménagée.
5. Vérifier que chaque robinet d'arrivée d'eau est ouvert.
6. Inspecter pour rechercher les fuites - au voisinage des robinets et des tuyaux d'arrivée d'eau.

## ⚠️ AVERTISSEMENT



### Risque de choc électrique

**Brancher sur une prise à 3 alvéoles reliée à la terre.**

**Ne pas enlever la broche de liaison à la terre.**

**Ne pas utiliser un adaptateur.**

**Ne pas utiliser un câble de rallonge.**

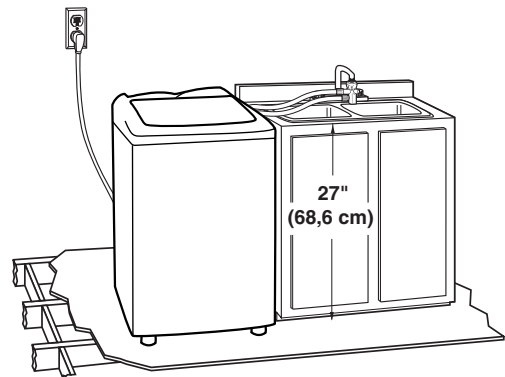
**Le non-respect de ces instructions peut causer un décès, un incendie ou un choc électrique.**

7. Brancher sur une prise à 3 alvéoles reliée à la terre.
8. Lire la section "Utilisation de la laveuse".
9. Pour tester le bon fonctionnement de la laveuse, verser dans le distributeur de détergent environ la moitié de la dose normale recommandée. Fermer le couvercle. Sélectionner n'importe quel programme, puis appuyer sur START/OFF (mise en marche/arrêt). Laisser la machine exécuter un programme complet.

# INSTRUCTIONS POUR L'INSTALLATION PORTATIVE

## Système de vidange

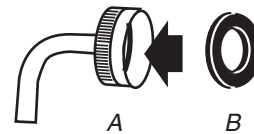
La laveuse doit se vider dans un évier ou une cuve de lessivage avec capacité d'évacuation de 7 gal. (26,6 L) par minute (pour les installations portatives). La partie supérieure de l'évier doit être située au moins à 27" (68,6 cm) au-dessus du sol et 48" (121,9 cm) (maxi) au-dessus du bas de la laveuse.



## Connexion du tuyau de remplissage et de vidange

Une bonne connexion du tuyau de remplissage et de vidange évitera l'endommagement du sol par des fuites d'eau.

Installer un joint plat neuf (fourni) dans chaque extrémité des tuyaux d'arrivée d'eau. Enfoncer fermement chaque joint dans le raccord.



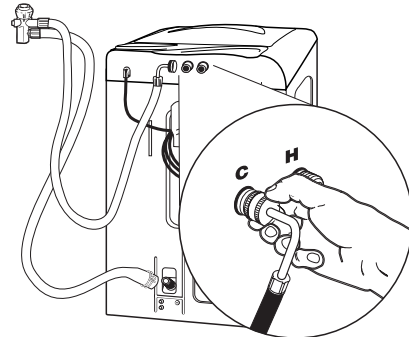
A. Raccord  
B. Joint

### Connexion du tuyau de remplissage

Fixer le tuyau de remplissage et de vidange à l'électrovanne d'alimentation d'eau froide (gauche). Serrer le raccord à la main. Utiliser une pince et tourner de deux tiers de tour en plus.

**REMARQUE :** Ne pas serrer excessivement. Les électrovannes pourraient être endommagées.

L'électrovanne d'alimentation d'eau chaude (droite) est fermée. Laisser cette électrovanne fermée.



## Connexion du tuyau de vidange

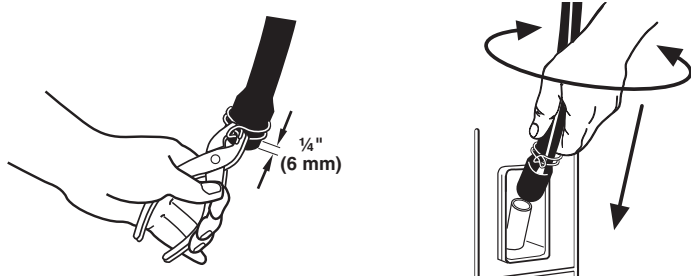
Pour éviter les fuites du tuyau de remplissage et de vidange, l'installation doit être effectuée en suivant les instructions.

**IMPORTANT :** Pour assurer une installation correcte, cette procédure doit être suivie à la lettre.

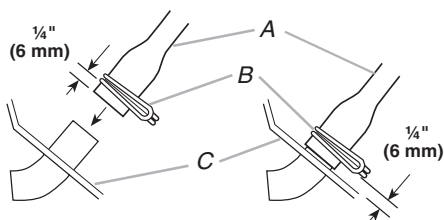
1. Mouiller la surface intérieure de l'extrémité rectiligne du tuyau de vidange avec l'eau du robinet.

**IMPORTANT :** Ne pas utiliser de lubrifiant autre que de l'eau.

2. Ouvrir la bride à double fil avec une pince. Placer la bride sur l'extrémité rectiligne du tuyau de vidange à  $\frac{1}{4}$ " (6 mm) de l'extrémité. Tourner le tuyau dans un sens et dans l'autre tout en engageant l'extrémité du tuyau de vidange sur le raccord de vidange situé au bas de la laveuse. Poursuivre l'opération jusqu'à ce que le tuyau soit en contact avec la caisse.



3. Placer la bride à l'endroit marqué "CLAMP" (bride). Relâcher la bride.

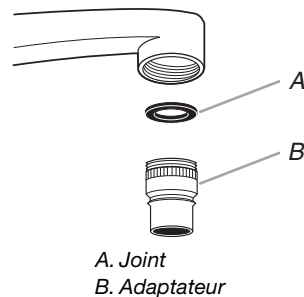


A. Tuyau de vidange  
B. Bride  
C. Caisse

## Fixation de la trousse d'adaptateur de robinet

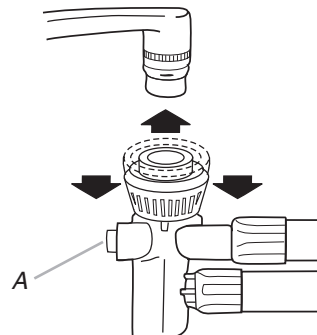
Une bonne connexion de la trousse d'adaptateur de robinet permettra à l'eau chaude et l'eau froide de bien entrer dans la laveuse. Ceci aide également à éviter les endommagements par l'eau dus à des fuites.

Fixer la trousse d'adaptateur de robinet du sachet de pièces au robinet. Un adaptateur de robinet standard et un joint sont fournis. Des adaptateurs personnalisés sont disponibles dans les lieux d'approvisionnement en matériel de plomberie.



## Connecter la laveuse

1. Faire rouler la laveuse près de l'évier. Elle roule vers l'avant et vers l'arrière sur roues. Les roues ne roulent pas d'un côté à l'autre. S'assurer que la laveuse est sur un sol d'aplomb pour éviter les mouvements lors de l'essorage.
2. Fixer le connecteur du tuyau de remplissage et de vidange à un robinet d'eau chaude/froide à un seul jet. Baisser l'anneau de verrouillage tout en soulevant le connecteur jusqu'à ce qu'il s'enclenche.



A. Bouton rouge de débit de l'eau

3. Régler la température de lavage/rinçage (WASH/RINSE TEMPERATURE) sur COLD/COLD (froid/froid).
4. Régler la température de l'eau pour le programme de lavage en ajustant les robinets d'eau chaude et d'eau froide.

Pour tester la température de l'eau, appuyer sur le bouton rouge de débit de l'eau sur le connecteur de tuyau.

**REMARQUE :** Si désiré, il est possible de changer la température de l'eau pour le programme de rinçage en ajustant les robinets d'eau chaude et d'eau froide. Laisser le réglage de la température de lavage/rinçage de la laveuse sur Cold/Cold (froid/froid).

## Achever l'installation

1. Consulter les spécifications électriques. Vérifier que la tension électrique disponible est correcte et que la prise de courant est convenablement reliée à la terre. Voir "Spécifications électriques".
2. Vérifier que toutes les pièces sont maintenant installées. S'il reste une pièce, étudier attentivement la description de chaque étape pour identifier quelle étape a été omise.
3. Vérifier que tous les outils utilisés sont présents.
4. Éliminer/recycler tout matériau d'emballage.
5. Vérifier que chaque robinet d'arrivée d'eau est ouvert.
6. Inspecter pour rechercher les fuites - au voisinage des robinets et des tuyaux d'arrivée d'eau.

**REMARQUE :** Si la laveuse est reliée à un robinet équipé d'un tuyau d'arrosage, la pression constante de l'eau peut entraîner des fuites. Pour éviter une panne éventuelle, le tuyau d'arrosage doit être déconnecté ou remplacé par un tuyau flexible à haute pression.

## **⚠ AVERTISSEMENT**



### Risque de choc électrique

**Brancher sur une prise à 3 alvéoles reliée à la terre.**

**Ne pas enlever la broche de liaison à la terre.**

**Ne pas utiliser un adaptateur.**

**Ne pas utiliser un câble de rallonge.**

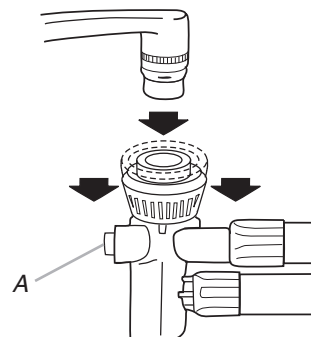
**Le non-respect de ces instructions peut causer un décès, un incendie ou un choc électrique.**

7. Brancher sur une prise à 3 alvéoles reliée à la terre.
8. Lire la section "Utilisation de la laveuse".
9. Pour tester le bon fonctionnement de la laveuse, verser dans le distributeur de détergent environ la moitié de la dose normale recommandée. Fermer le couvercle. Sélectionner n'importe quel programme, puis appuyer sur START/OFF (mise en marche/arrêt). Laisser la machine exécuter un programme complet.

## Déconnecter la laveuse

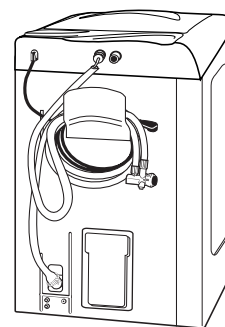
Déconnecter la laveuse portable après utilisation et la ranger.

1. Fermer les robinets d'eau.
2. Débrancher le cordon d'alimentation.
3. Appuyer sur le bouton rouge de débit de l'eau pour libérer la pression de l'eau dans le tuyau. Tirer l'anneau de verrouillage vers le bas pour retirer le connecteur du robinet.



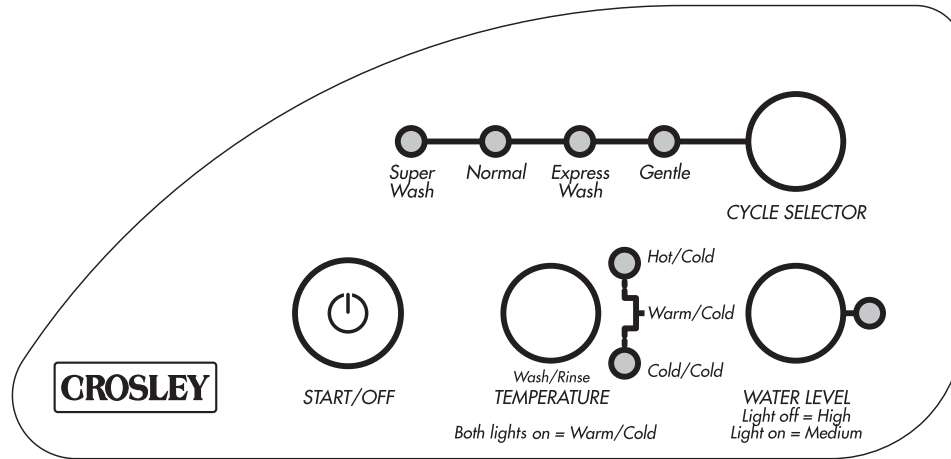
A. Bouton rouge de débit de l'eau

4. Vider l'eau du connecteur du robinet. Placer le tuyau de remplissage et de vidange sur le support en plastique à l'arrière de la laveuse.





# UTILISATION DE LA LAVEUSE



## Mise en marche de la laveuse

### ⚠ AVERTISSEMENT



#### Risque d'incendie

**Ne jamais mettre des articles humectés d'essence ou d'autres fluides inflammables dans la laveuse.**

**Aucune laveuse ne peut complètement enlever l'huile.**

**Ne pas faire sécher des articles qui ont été salis par tout genre d'huile (y compris les huiles de cuisson).**

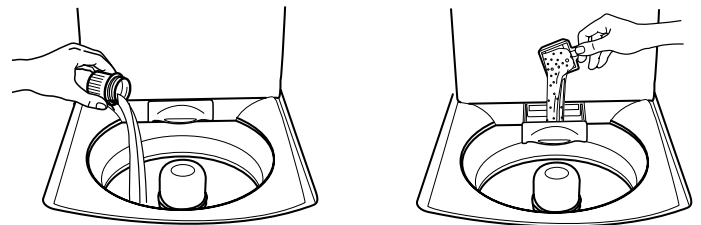
**Le non-respect de ces instructions peut causer un décès, une explosion ou un incendie.**

**AVERTISSEMENT :** Pour réduire le risque d'incendie, de choc électrique ou de blessures corporelles, lire les INSTRUCTIONS IMPORTANTES DE SÉCURITÉ avant de faire fonctionner cet appareil.

Les renseignements suivants vous aideront à mettre votre laveuse en marche. Les renvois périodiques à d'autres sections de ce guide permettent d'obtenir des renseignements plus détaillés.

1. Ajouter le détergent nécessaire. Ajouter du détergent liquide au fond de la laveuse ou du détergent en poudre dans le tiroir du distributeur de détergent.

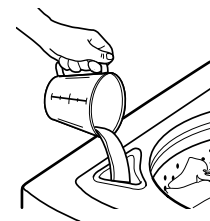
**REMARQUE :** Si désiré, un agent de blanchiment en poudre sans danger pour les couleurs peut être ajouté au distributeur de détergent avec le détergent en poudre. L'eau de Javel sans danger pour les couleurs doit être ajoutée au fond du panier de la laveuse.



Mettre une charge de vêtements triés dans la laveuse sans la tasser.

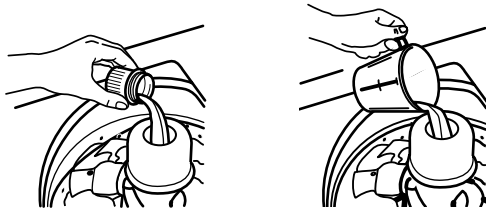
- Charger uniformément pour maintenir l'équilibre de la laveuse. Mélanger les gros et les petits articles.
- Les articles doivent pouvoir se déplacer facilement dans l'eau de lavage. Une surcharge peut causer un piètre nettoyage.
- Pour réduire les faux plis des vêtements à pressage permanent et de certains tricots synthétiques, utiliser le réglage de niveau d'eau pour charge importante pour avoir plus d'espace (voir étape 5).

2. (ÉTAPE FACULTATIVE) Verser la quantité mesurée d'eau de Javel dans le distributeur d'eau de Javel. L'eau de Javel sera distribuée automatiquement lors de la partie lavage du programme.



- Ne pas utiliser plus de 1 tasse (250 mL) pour une charge complète. Utiliser moins pour une plus petite charge.
- Suivre les instructions du fabricant pour une utilisation appropriée.
- Pour éviter les renversements, utiliser une tasse avec un bec verseur. Ne pas laisser l'eau de Javel éclabousser, se renverser ou couler dans le panier de la laveuse.
- Utiliser seulement de l'eau de Javel dans ce distributeur.

3. (ÉTAPE FACULTATIVE) Verser la quantité mesurée d'assouplissant de tissu liquide dans le distributeur d'assouplissant de tissu. L'assouplissant est ajouté automatiquement durant l'opération de rinçage du programme.



Diluer l'assouplissant de tissu liquide en remplissant le distributeur d'eau tiède jusqu'à ce que le liquide atteigne la ligne supérieure indiquée à l'intérieur du distributeur.

- Ne pas renverser ou faire goutter d'assouplissant de tissu sur les vêtements.
- Utiliser seulement de l'assouplissant de tissu liquide dans ce distributeur.

**REMARQUE :** Ne pas laver de vêtements sans le distributeur d'assouplissant de tissu.

4. Rabattre le couvercle de la laveuse. Il n'y aura pas de remplissage, d'agitation ou d'essorage par la laveuse si le couvercle est ouvert.
5. Appuyer sur le bouton de WATER LEVEL (niveau d'eau) pour sélectionner le bon réglage pour votre charge de lavage et le type de tissu à laver. Pour une charge moyenne, le témoin lumineux est allumé, pour une charge importante le témoin est éteint.
- Choisir un niveau d'eau qui permet que la charge se déplace librement pour le meilleur soin des tissus. Voir "Chargement".
  - Vous pouvez changer le réglage du niveau d'eau pendant que la laveuse se remplit. Si vous passez du niveau élevé au niveau moyen, mais que l'eau a dépassé le niveau moyen, le nouveau réglage sera pris en compte au remplissage suivant.
6. Régler la température de l'eau pour le type de tissu et de saleté à laver. Utiliser l'eau de lavage la plus chaude sans danger pour le tissu. Suivre les instructions sur l'étiquette des vêtements.

#### Pour les installations portatives

Les températures de lavage et de rinçage sont réglées au robinet. La commande de température de lavage/rinçage ne règle pas la température.

Ajuster les robinets d'eau froide et d'eau chaude à la température de lavage désirée. Laisser la commande de température de lavage/rinçage à COLD/COLD (froid/froid).

**REMARQUE :** Le réglage "Cold/Cold" (froid/froid) permet à l'eau du robinet d'entrer dans la laveuse, mais ne contrôle pas la température d'arrivée de l'eau.

- Pour obtenir une température de rinçage différente de celle du lavage, vous devez ajuster la température de l'eau au robinet une fois que la laveuse a terminé son remplissage initial.
- Pour tester la température de l'eau, appuyer sur le bouton rouge de débit de l'eau sur le connecteur de tuyau.

#### Pour les installations définitives

Appuyer sur le bouton WASH/RINSE TEMPERATURE (temp. de lavage/rinçage) pour régler la température de lavage. Pour un lavage à chaud le témoin lumineux supérieur est allumé, pour un lavage à froid le témoin inférieur est allumé, pour un lavage à l'eau tiède les deux témoins sont allumés. Tous les programmes utilisent un rinçage à froid.

#### Sélection des températures de l'eau

Temp. de l'eau	Utilisation
Chaude	Blancs et couleurs pastels Saletés intenses
Tiède	Couleurs vives Saletés modérées à légères
Froide	Couleurs qui déteignent ou s'atténuent Saletés légères

**REMARQUE :** Aux températures d'eau de lavage inférieures à 70 °F (21 °C), les détergents ne se diluent pas bien. Les saletés peuvent être difficiles à enlever. Certains tissus peuvent retenir les faux plis et comporter un boulochage accru (formation de petites boules de charpie sur la surface des vêtements).

- Appuyer sur le bouton CYCLE SELECTOR (sélectionner un programme) pour sélectionner le programme de lavage que vous désirez. Voir "Programmes".
- Appuyer sur START/OFF (mise en marche/arrêt).

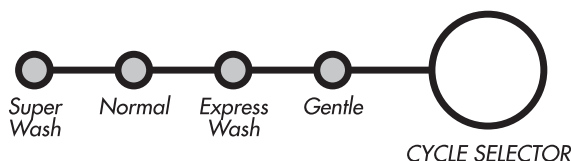
#### Pour arrêter et remettre la laveuse en marche

- Pour arrêter la laveuse à tout moment, soulever le couvercle, et le programme fera une pause.
- Pour remettre la laveuse en marche, rabattre le couvercle et le programme reprendra.

## Programmes

Cette section décrit les programmes de lavage disponibles et vous aidera à faire les meilleures sélections de programme pour vos charges de lavage. Chaque programme est conçu pour différents types de tissu et niveaux de saleté.

- La laveuse fait une pause brève au cours de chaque programme. Ces pauses sont normales. Consulter la section "Sons normaux" pour en savoir plus sur les sons que vous pourrez entendre durant un programme de lavage.
- Consulter la section "Compréhension des programmes de la laveuse" pour savoir ce qui se passe pendant un programme de lavage.



#### Super Wash (Super lavage)

Utiliser ce programme pour obtenir 16 minutes de temps de lavage pour des charges de vêtements épais ou très sales. Le lavage combine une agitation à vitesse élevée et un essorage à vitesse élevée pour une élimination maximale des taches.

#### Normal

Utiliser ce programme pour obtenir 12 minutes de temps de lavage pour les articles en coton et en lin normalement sales. Le lavage combine une agitation à vitesse moyenne et un essorage à vitesse élevée pour réduire la durée de séchage.

#### Express Wash (Lavage rapide)

Utiliser ce programme pour obtenir 6 minutes de temps de lavage. Utiliser pour les petites charges d'articles peu sales dont vous avez besoin rapidement. Le lavage combine une agitation à vitesse élevée et un essorage à vitesse élevée pour réduire la durée de séchage.





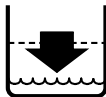
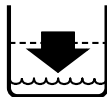


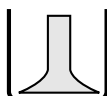
## Gentle (Lavage délicat)

Utiliser ce programme pour obtenir 8 minutes de temps de lavage pour la lingerie et les articles souples. Le lavage combine une agitation à vitesse faible pour une élimination des taches en douceur et un essorage à vitesse élevée pour réduire la durée de séchage.

## Compréhension des programmes de la laveuse

Lorsqu'on appuie sur Start (mise en marche) après avoir sélectionné un programme et que le couvercle est fermé, la laveuse se remplit d'eau jusqu'au niveau choisi (correspondant au volume de la charge de linge) avant de se mettre en marche (agitation et chronométrage). Le couvercle doit être fermé lors du fonctionnement. Il n'y aura pas de remplissage, d'agitation ou d'essorage par la laveuse si le couvercle est ouvert.

**REMARQUE :** La laveuse effectue de brèves pauses au cours de chaque programme. Ceci est normal pour le fonctionnement de la laveuse.

LAVAGE	RINÇAGE
 1. Remplissage	 1. Remplissage
 2. Lavage : durée choisie	 2. Rinçage
 3. Vidange-sans agitation	 3. Vidange-sans agitation
 4. Essorage	 4. Essorage
	 5. Arrêt

## Sons normaux

La nouvelle laveuse peut émettre des sons que votre ancienne ne faisait pas. Comme les sons ne sont pas familiers, vous vous inquiétez peut-être. Ces sons sont normaux.

### Durant la vidange

Si l'eau est vidée rapidement de la laveuse (en fonction de votre installation), vous pouvez entendre de l'air attiré par la pompe pendant la fin de la vidange.

### Après la vidange et avant l'essorage

Lorsque le programme passe de la vidange à l'essorage, vous pouvez entendre les engrenages qui s'enclenchent.

# CONSEILS DE LESSIVAGE

## Préparation des vêtements pour le lavage

Suivre les recommandations suivantes pour prolonger la vie de vos vêtements.

- Fermer les fermetures à glissière, les boutons pression et les crochets pour éviter d'accrocher d'autres articles. Enlever les épingles, les boucles et autres objets durs pour éviter d'égratigner l'intérieur de la laveuse. Ôter les garnitures et les ornements non lavables.
- Vider les poches et les retourner.
- Retourner les revers et enlever la charpie et la poussière avec une brosse.
- Retourner les tricots synthétiques pour éviter le boulochage.
- Attacher les cordons et les ceintures-écharpes pour empêcher l'emmêlement.
- Réparer les déchirures, les ourlets et coutures décousus.
- Traiter les taches.
- Les vêtements tachés ou mouillés devraient être lavés sans délai pour obtenir les meilleurs résultats.

## Tri

- Séparer les articles très sales des articles légèrement sales, même si on les lave normalement ensemble. Séparer les articles qui forment de la charpie (serviettes, chenille) des articles qui attrapent la charpie (velours côtelé, synthétique, pressage permanent). Dans la mesure du possible, retourner les articles qui forment de la charpie.
- Séparer les couleurs foncées des couleurs claires et les articles grand teint des articles qui déteignent.
- Trier en fonction des tissus et de la confection (cotons solides, tricots, articles délicats).

## Déchargement

- Retirer les vêtements de la laveuse une fois que le programme est terminé. Des objets en métal comme les fermetures à glissière, les boutons-pression et les boucles peuvent rouiller si on les laisse longtemps dans le panier de la laveuse.

## Chargement

### Suggestions de chargement

Pour ces charges pleines suggérées, régler le sélecteur de WATER LEVEL (niveau d'eau) au réglage le plus élevé.

### LAVEUSES COMPACTES

<b>Vêtements de travail épais</b> 2 paires de pantalons 3 chemises de travail	<b>Tricots</b> 2 pantalons légers 2 chemises -ou- 3 robes
<b>Serviettes</b> 9 serviettes de bain -ou- 6 serviettes de bain 3 serviettes à main 6 débarbouillettes	<b>Charge mixte</b> 1 pantalon léger 2 taies d'oreiller 2 chemises 1 tee-shirt
<b>Pressage permanent</b> 6 chemises -ou- 2 draps lit 2 places 2 taies d'oreiller -ou- 2 draps lit 1 place 2 taies d'oreiller	<b>Articles délicats</b> 1 chemise de nuit 2 combinaisons 2 culottes 2 soutien-gorge 1 nuisette 1 jupon

# ENTRETIEN DE LA LAVEUSE

## Nettoyage de la laveuse

### Nettoyage de l'extérieur

Utiliser une éponge ou un linge doux humide pour essuyer les renversements de détergent ou d'eau de Javel. Essuyer occasionnellement les surfaces externes de la laveuse pour maintenir son aspect d'appareil neuf.

### Nettoyage de l'intérieur

Ajouter 1 tasse (250 mL) d'eau de Javel et une mesure ou un bouchon plein de détergent dans la laveuse, puis faire effectuer le programme Normal à l'eau chaude. Répéter ce processus si nécessaire.

**REMARQUE :** Pour éliminer les dépôts imputables à la dureté de l'eau, utiliser un produit de nettoyage sans danger pour la laveuse.

### Nettoyage du filtre à charpie :

Nettoyer le filtre après chaque charge.

1. Saisir le dessus du distributeur d'assouplissant de tissu et le tirer pour l'enlever. Le filtre à charpie est fixé à l'extrémité de la tige.
2. Laver ou essuyer le filtre à charpie.
3. Remettre le distributeur d'assouplissant de tissu et le filtre à charpie bien en place dans l'agitateur.

### Nettoyage du distributeur d'assouplissant de tissu liquide :

Rincer régulièrement le distributeur d'assouplissant de tissu à l'eau tiède.

1. Saisir le dessus du distributeur d'assouplissant de tissu et le tirer pour l'enlever.
2. Rincer le distributeur à l'eau tiède. Le remettre en place après le nettoyage.

**REMARQUE :** Pour éviter l'endommagement de la laveuse ou des vêtements, ne pas laver de vêtements sans le distributeur d'assouplissant de tissu. Ne pas ajouter de détergent ou de Javel dans ce distributeur; il doit servir à l'assouplissant de tissu liquide uniquement.

## Tuyaux flexibles d'alimentation de la laveuse

Remplacer les tuyaux d'alimentation après cinq ans d'utilisation afin de réduire les risques de problèmes avec les tuyaux. Inspecter périodiquement et remplacer les tuyaux d'alimentation comportant des renflements, des écrasements, des coupures, des signes d'usure ou de fuites.

Lors du remplacement des tuyaux d'alimentation, inscrire la date du remplacement sur l'étiquette à l'aide d'un marqueur permanent.

## Préparation avant les vacances, un entreposage ou un déménagement

Installer et remiser la laveuse à un emplacement où elle ne sera pas exposée au gel. Comme il peut rester un résidu d'eau dans les tuyaux, le gel pourrait endommager la laveuse. Si la laveuse doit faire l'objet d'un déménagement ou être remise au cours d'une période hivernale, exécuter les opérations de préparation.

### Période d'inutilisation ou de vacances :

On doit faire fonctionner la laveuse seulement lorsqu'on est présent. Si les utilisateurs doivent partir en vacances ou ne pas utiliser la laveuse pendant une période prolongée, il convient d'exécuter les opérations suivantes :

- Débrancher la laveuse ou déconnecter la source de courant électrique.
- Fermer les robinets d'arrivée d'eau. Ceci évitera les risques d'inondation (à l'occasion d'une surpression) au cours de la période d'absence.

### Préparation de la laveuse pour l'hiver :

1. Fermer les deux robinets d'arrivée d'eau.
2. Déconnecter et vider les tuyaux flexibles d'alimentation d'eau.
3. Verser dans le panier 1 pinte (1 L) d'antigel pour véhicules récréatifs.
4. Débrancher la laveuse ou déconnecter la source de courant électrique.

### Avant de réutiliser la laveuse :

1. Rincer les tuyaux flexibles d'arrivée d'eau.
2. Reconnecter les tuyaux flexibles d'alimentation d'eau.
3. Ouvrir les deux robinets d'arrivée d'eau.
4. Brancher la laveuse ou reconnecter la source de courant électrique.
5. Faire exécuter à la laveuse n'importe quel programme de lavage avec ½ mesure de la quantité de détergent normalement recommandée pour éliminer l'antigel.

### Transport de la laveuse :

1. Fermer les deux robinets d'arrivée d'eau.
2. Déconnecter et vider les tuyaux flexibles d'alimentation d'eau.
3. Si la laveuse est déménagée pendant une période de gel, verser dans le panier 1 pinte (1 L) d'antigel pour véhicules récréatifs.
4. Déconnecter le dispositif de vidange du système de vidange.
5. Débrancher le cordon d'alimentation.
6. Placer les tuyaux flexibles d'alimentation d'eau dans le panier.
7. Faire passer le cordon d'alimentation et le tuyau d'évacuation par-dessus le bord et les mettre dans le panier.

### Réinstallation de la laveuse

1. Suivre les Instructions d'installation pour votre modèle pour choisir l'emplacement, mettre la laveuse d'aplomb et la connecter.
2. Faire exécuter à la laveuse n'importe quel programme de lavage avec ½ mesure de la quantité de détergent normalement recommandée pour éliminer l'antigel, le cas échéant.

# DÉPANNAGE

Essayer d'abord les solutions suggérées ici, ce qui vous évitera peut-être le coût d'une visite de service...

## La laveuse ne se remplit pas, ne rince pas ou ne lave pas

- **Le couvercle est-il ouvert?**  
Le couvercle doit être fermé lors du fonctionnement. Il n'y aura pas de remplissage, d'agitation ou d'essorage par la laveuse si le couvercle est ouvert.
- **Le niveau d'eau semble-t-il trop bas, ou la laveuse semble-t-elle ne pas se remplir complètement?**  
Le sommet de l'agitateur est beaucoup plus haut que le niveau d'eau le plus élevé. Ceci donne l'impression que la laveuse ne se remplit pas complètement. Ceci est normal.
- **Vérifier ce qui suit :**  
Le cordon d'alimentation est-il connecté dans une prise reliée à la terre à trois alvéoles?  
  
La prise est-elle alimentée par le courant électrique? Vérifier la source de courant électrique ou appeler un électricien.  
  
Les deux robinets d'eau (chaude et froide) sont-ils ouverts?  
  
Le tuyau d'arrivée d'eau est-il déformé?  
  
Les filtres des valves des tuyaux d'arrivée d'eau sont-ils obstrués?

## La laveuse s'arrête

- **Vérifier ce qui suit :**  
Le cordon d'alimentation est-il connecté dans une prise reliée à la terre à trois alvéoles?  
  
Les deux robinets d'eau (chaude et froide) sont-ils ouverts?  
  
Le tuyau d'arrivée d'eau est-il déformé?  
  
Les filtres des valves des tuyaux d'arrivée d'eau sont-ils obstrués?
- **La prise est-elle alimentée par le courant électrique?**  
Vérifier la source de courant électrique ou appeler un électricien.
- **Un fusible est-il grillé ou le disjoncteur a-t-il sauté?**  
Si le problème persiste, appeler un électricien.
- **Utilise-t-on une rallonge?**  
Ne pas utiliser de rallonge.
- **La laveuse est-elle surchargée?**  
Laver de plus petites charges. Voir "Mise en marche de la laveuse" pour la taille de charge maximale.
- **Le couvercle est-il ouvert?**  
Le couvercle doit être fermé lors du fonctionnement. Il n'y aura pas de remplissage, d'agitation ou d'essorage par la laveuse si le couvercle est ouvert.

## Absence de vidange ou d'essorage de la laveuse

- **Le tuyau de vidange est-il obstrué, ou l'extrémité du tuyau de vidange est-elle à plus de 72" (183 cm) au-dessus du sol (48" [122 cm] pour les laveuses portatives)?**  
Consulter les instructions d'installation pour votre modèle pour la bonne installation du tuyau de vidange.
- **Le couvercle est-il ouvert?**  
Le couvercle doit être fermé lors du fonctionnement. Il n'y aura pas de remplissage, d'agitation ou d'essorage par la laveuse si le couvercle est ouvert.

- **Y a-t-il un excédent de mousse?**  
Toujours mesurer le détergent. Suivre les directives du fabricant. Si l'eau est très douce, on peut utiliser moins de détergent.
- **La tension est-elle basse?**  
Vérifier la source de courant électrique ou appeler un électricien. Ne pas utiliser de rallonge.

## La laveuse continue de se remplir ou la vidange se poursuit, ou le programme semble bloqué

- **Le tuyau d'évacuation est-il trop serré dans le tuyau de rejet à l'égout, ou est-il fixé à ce tuyau?**  
Le tuyau d'évacuation doit être lâche pour être bien en place en toute sécurité. Ne pas sceller le tuyau de vidange avec du ruban adhésif. Le tuyau a besoin d'une ouverture pour l'air. Voir les "Instructions pour l'installation permanente".
- **L'extrémité du tuyau d'évacuation est-elle à moins de 39" (99 cm) au-dessus du sol (27" [68,9 cm] pour les laveuses portatives)?**  
Consulter les instructions d'installation pour votre modèle pour procéder à une bonne installation du tuyau d'évacuation.

## La laveuse fait du bruit

- **La charge est-elle équilibrée et la laveuse d'aplomb?**  
La charge de lavage doit être équilibrée. Voir "Mise en marche de la laveuse" pour la taille de charge maximale.  
  
La laveuse doit être d'aplomb. Voir les instructions d'installation pour votre modèle.  
  
Entend-on un bruit d'arrosage? Ceci fait partie de l'action de lavage.  
  
Si l'eau est vidangée rapidement de la laveuse, il se peut qu'on entende de l'air être pompé par la pompe. Ceci se produit à la fin de la vidange. Ceci est normal.  
  
Lorsque le programme passe du lavage à la vidange ou à l'essorage, il se peut qu'on entende le bruit d'engrenage du système. Ceci est normal.
- **Lave-t-on des articles avec des attaches, boucles ou fermetures métalliques?**  
Il se peut qu'on entende les articles métalliques au contact du panier. Ceci est normal.
- **Lave-t-on une petite charge?**  
On entendra plus de bruits d'éclaboussement lors du lavage de petites charges. Ceci est normal.
- **La laveuse est-elle installée sur un sol résistant?**  
Consulter les instructions d'installation pour les exigences concernant le sol.

## La laveuse fuit

- **Vérifier ce qui suit :**  
Les tuyaux de remplissage sont-ils bien serrés? Les joints de tuyaux de remplissage d'eau sont-ils correctement installés? La bride de fixation du tuyau de vidange ou l'adaptateur de robinet sont-ils correctement installés? Voir les instructions d'installation pour votre modèle.

- **L'évier ou le tuyau évacuation est-il obstrué?**  
L'évier, le siphon de sol et le tuyau de rejet à l'égout doivent être capables de traiter 7 gal. (26,6 L) d'eau par minute pour les installations portatives et 13 gal. (49,2 L) d'eau par minute pour les installations permanentes.
- **L'eau gicle-t-elle de l'anneau de la cuve ou de la charge?**  
La charge de lavage doit être équilibrée et non surchargée. Si non, l'eau du remplissage ou du rinçage peut dévier de la charge.  
La laveuse doit être d'aplomb. Voir les instructions d'installation pour votre modèle.
- **A-t-on installé le tuyau d'évacuation dans un tuyau de rejet à l'égout ou un évier de buanderie?**  
Voir les "Instructions pour l'installation permanente".
- **Vérifier la plomberie du domicile pour voir s'il y a des fuites.**

---

### Le panier de la laveuse est décentré

---

- **Le panier de la laveuse a-t-il été tiré en avant lors du chargement?** Pousser le panier au centre avant de commencer le lavage.
- **La charge est-elle équilibrée et la laveuse d'aplomb?**  
La charge de lavage doit être équilibrée.  
La laveuse doit être d'aplomb. Voir les instructions d'installation pour votre modèle.
- **Le panier de la laveuse se déplace pendant le lavage.**  
Ceci est normal.

---

### Distributeurs obstrués ou ayant une fuite

---

- **Les produits de lavage sont-ils dans le bon distributeur?**  
Ajouter les quantités correctes de détergent en poudre, eau de Javel ou assouplissant de tissu dans le bon distributeur. On peut ajouter de la Javel en poudre sans danger pour les couleurs dans le distributeur de détergent. Le détergent liquide doit être ajouté au fond du panier de la laveuse.  
Veiller à utiliser de la Javel en poudre sans danger pour les couleurs avec un détergent en poudre approprié ou de la Javel liquide sans danger pour les couleurs avec un détergent liquide approprié. Utiliser seulement de la Javel liquide dans le distributeur d'eau de Javel.

---

### Charge trop mouillée

---

- **Après un rinçage à froid, la charge est plus mouillée qu'après un rinçage à l'eau tiède.** Ceci est normal.

---

### Résidus ou charpie sur le linge

---

- **A-t-on ajouté du détergent en poudre dans le distributeur?**  
Pour obtenir les meilleurs résultats, utiliser le distributeur pour dissoudre le détergent en poudre. Ajouter le détergent liquide directement au fond du panier de la laveuse.
- **A-t-on bien trié les articles?**  
Trier les articles causant de la charpie (serviettes, chenille) des articles qui retiennent la charpie (velours côtelé, synthétiques). Trier également en fonction des couleurs.
- **A-t-on surchargé la laveuse?**  
La charge de lavage doit être équilibrée. Voir "Mise en marche de la laveuse" pour la taille de charge maximale. De la charpie peut être coincée dans la charge s'il y a surcharge. Laver des charges plus petites.

- **A-t-on laissé du papier ou des mouchoirs en papier dans les poches?**
- **A-t-on utilisé assez de détergent?**  
Suivre les directives du fabricant. Utiliser suffisamment de détergent pour maintenir la saleté en suspension dans l'eau.
- **La température de l'eau est-elle inférieure à 70°F (21°C)?**  
Si la température de l'eau de lavage est inférieure à 70°F (21°C), il se peut que le détergent ne soit pas complètement dissous.
- **Utilise-t-on un programme de lavage délicat?**  
Envisager l'utilisation d'un détergent liquide pour les programmes à vitesse faible tels que Gentle ou Delicate (articles délicats).

---

### Présence de taches sur le linge

---

- **A-t-on ajouté du détergent en poudre dans le distributeur?**  
Pour obtenir les meilleurs résultats, utiliser le distributeur pour dissoudre le détergent. Ajouter le détergent liquide directement au fond du panier de la laveuse.
- **A-t-on utilisé assez de détergent?**  
Utiliser assez de détergent pour enlever la saleté et la retenir en suspension. Ajouter les quantités recommandées par le fabricant.
- **A-t-on ajouté de l'assouplissant de tissu directement dans la charge?**  
Utiliser le distributeur d'assouplissant de tissu. Ne pas laisser couler d'assouplissant sur les vêtements.
- **Y a-t-il une quantité de fer (rouille) supérieure à la normale dans l'eau?**  
Il faudra peut-être installer un filtre à fer.
- **A-t-on bien trié la charge?**  
Séparer les vêtements de teinte foncée du blanc et des couleurs claires.
- **A-t-on déchargé la laveuse immédiatement?**  
Pour éviter le transfert de teinture, décharger la laveuse dès qu'elle s'arrête.
- **A-t-on utilisé un détergent en poudre pour un programme à vitesse faible?**  
Envisager l'utilisation d'un détergent liquide.
- **A-t-on ajouté du détergent, de la Javel ou de l'assouplissant de tissu trop tard dans le programme?**  
Le détergent en poudre, la Javel et l'assouplissant de tissu doivent être ajoutés dans les distributeurs avant de mettre la laveuse en marche. Ajouter le détergent liquide directement au fond du panier de la laveuse.

---

### Linge froissé

---

- **A-t-on déchargé la laveuse immédiatement?**  
Décharger la laveuse dès qu'elle s'arrête.
- **A-t-on surchargé la laveuse?**  
La charge de lavage doit être équilibrée et non surchargée. Les charges doivent pouvoir culbuter librement durant le lavage.
- **Les robinets d'eau chaude et d'eau froide ont-ils été inversés?**  
Vérifier que les tuyaux d'eau chaude et d'eau froide sont connectés aux bons robinets. Voir les "Instructions pour l'installation permanente".

---

## Le linge est enchevêtré ou entortillé

---

### ■ A-t-on surchargé la laveuse?

Voir "Mise en marche de la laveuse" pour la taille de charge maximale. Les charges doivent pouvoir culbuter librement durant le lavage.

---

## Blanc grisâtre, couleurs défraîchies

---

### ■ A-t-on bien trié la charge?

Le transfert de teinture peut se produire lorsque du blanc et des couleurs sont mélangés dans une charge. Séparer les tissus de teinte foncée du blanc et des couleurs claires.

### ■ La température de lavage était-elle trop basse?

Utiliser des lavages à l'eau chaude ou tiède si cela est sans danger pour la charge. S'assurer que le système d'eau chaude est adéquat pour fournir un lavage à l'eau chaude.

### ■ A-t-on utilisé assez de détergent, ou l'eau est-elle dure?

Utiliser plus de détergent pour laver les articles très sales à l'eau froide ou dure. La température de l'eau doit être d'au moins 70°F (21°C) pour que le détergent se dissolve et fonctionne correctement.

---

## Endommagement des vêtements

---

### ■ Vérifier ce qui suit :

Les articles acérés ont-ils été enlevés des poches avant le lavage? Vider les poches, fermer les fermetures à glissière, les boutons-pression et les crochets avant le lavage.

Les cordons et les ceintures ont-ils été attachés pour empêcher l'emmêlement?

Les articles étaient-ils endommagés avant le lavage? Raccorder les déchirures et reprendre les fils cassés des coutures avant le lavage.

### ■ A-t-on surchargé la laveuse?

Voir "Chargement" pour la taille de charge maximale.

### ■ A-t-on bien ajouté la Javel?

Ne pas mettre la Javel directement sur la charge. Utiliser le distributeur d'eau de Javel. Essuyer tous les renversements de Javel. De l'eau de Javel non diluée endommagera les tissus. Ne pas placer des articles de la charge sur le dessus du distributeur d'eau de Javel lorsque vous chargez et déchargez la laveuse.

### ■ A-t-on suivi les instructions d'entretien du fabricant indiquées sur l'étiquette?

---

## La température de lavage n'est pas celle qui a été sélectionnée

---

### ■ Pour les installations permanentes : Les tuyaux d'arrivée d'eau chaude et d'eau froide ont-ils été inversés?

Au fur et à mesure que le lavage progresse, la température diminue légèrement pour un lavage à l'eau chaude et tiède. Ceci est normal.

### ■ Pour les installations portatives : La température de lavage est-elle réglée sur Cold/Cold (froide/froide)?

Voir "Instructions pour l'installation portative".

---

# ASSISTANCE OU SERVICE

Avant de faire un appel pour assistance ou service, veuillez vérifier "Dépannage". Cette vérification peut vous faire économiser le coût d'une visite de service. Si vous avez encore besoin d'aide, suivre les instructions ci-dessous.

Lors d'un appel, veuillez connaître la date d'achat et les numéros au complet du modèle et de la série de votre appareil. Ces renseignements nous aideront à mieux répondre à votre demande.

### Si vous avez besoin de pièces de rechange

Si vous devez commander des pièces de rechange, nous vous recommandons d'utiliser uniquement des pièces spécifiques. Ces pièces conviendront et fonctionneront bien car elles sont fabriquées avec la même précision utilisée pour construire chaque nouvel appareil CROSLEY®. Pour trouver des pièces de rechange dans votre région, composer le numéro de téléphone de notre Centre d'interaction à la clientèle ou contacter le centre de service désigné le plus proche.

### Pour assistance ou service

Composer le numéro sans frais du Centre d'interaction avec la clientèle Whirlpool au

**1-800-253-1301.**

### Nos consultants fournissent de l'assistance pour :

- Caractéristiques et spécifications de notre gamme complète d'appareils ménagers.
- Renseignements d'installation.
- Procédés d'utilisation et d'entretien.
- Vente d'accessoires et de pièces de rechange.
- Assistance spécialisée au client (langue espagnole, malentendants, malvoyants, etc.).
- Les références aux concessionnaires, compagnies de service de réparation et distributeurs de pièces de rechange locaux.

Les techniciens de service désignés par Whirlpool sont formés pour remplir la garantie des produits et fournir un service après garantie partout aux États-Unis.

Pour localiser la compagnie de service désignée par Whirlpool dans votre région, vous pouvez consulter les Pages jaunes.

### Pour plus d'assistance

Si vous avez besoin de plus d'assistance, vous pouvez nous écrire en soumettant toute question ou problème à :

Crosley Corporation  
c/o Correspondence Dept.  
675 North Main Street  
Winston-Salem, NC 27102-2111

Dans votre correspondance, veuillez indiquer un numéro de téléphone où l'on peut vous joindre dans la journée.

# GARANTIE DE LA LAVEUSE COMPACTE CROSLEY®

## GARANTIE COMPLÈTE DE UN AN

Pendant un an à compter de la date d'achat, lorsque cette laveuse est utilisée et entretenue conformément aux instructions jointes à ou fournies avec le produit, Whirlpool Corporation paiera pour les pièces de rechange spécifiques et la main-d'oeuvre de réparation pour corriger les vices de matériaux ou de fabrication. Le service doit être fourni par une compagnie de service désignée par Whirlpool.

## GARANTIE LIMITÉE DE LA DEUXIÈME À LA CINQUIÈME ANNÉE INCLUSIVEMENT SUR LE DESSUS, LE COUVERCLE ET L'ENSEMBLE DU BOÎTIER DE TRANSMISSION

De la deuxième à la cinquième année inclusivement à compter de la date d'achat, lorsque cette laveuse est utilisée et entretenue conformément aux instructions jointes à ou fournies avec le produit, Whirlpool Corporation paiera pour les pièces de rechange spécifiques suivantes en cas de vices de matériaux ou de fabrication : dessus et couvercle (en cas de rouille) et toute pièce de l'ensemble du boîtier de transmission.

## GARANTIE LIMITÉE DE LA DEUXIÈME À LA DIXIÈME ANNÉE INCLUSIVEMENT SUR LA CUVETTE EXTERNE

De la deuxième à la dixième année inclusivement à compter de la date d'achat, lorsque cette laveuse est utilisée et entretenue conformément aux instructions jointes à ou fournies avec le produit, Whirlpool Corporation paiera pour les pièces de rechange spécifiques pour la cuvette externe si celle-ci se fissure ou ne retient plus l'eau, en cas de vices de matériaux ou de fabrication.

### Whirlpool Corporation ne paiera pas pour :

1. Les visites de service pour rectifier l'installation de votre laveuse, pour vous montrer comment utiliser la laveuse ou pour remplacer des fusibles de la maison ou rectifier le câblage électrique ou la plomberie.
2. Les réparations lorsque la laveuse est utilisée à des fins autres que l'usage unifamilial normal.
3. Les dommages imputables à : accident, modification, usage impropre ou abusif, incendie, inondation, actes de Dieu, installation fautive ou installation non conforme aux codes locaux d'électricité et de plomberie, ou l'utilisation de produits non approuvés par Whirlpool Corporation.
4. Les frais de main-d'œuvre au cours des périodes de garantie limitées.
5. Le coût des pièces de rechange et de la main-d'œuvre pour les appareils utilisés hors des États-Unis et du Canada.
6. Le ramassage et la livraison. Ce produit est conçu pour être réparé à domicile.
7. Les réparations des pièces ou systèmes résultant d'une modification non autorisée faite à l'appareil.
8. Au Canada, les frais de déplacement ou de transport pour les clients qui habitent dans des régions éloignées.

### WHIRLPOOL CORPORATION N'ASSUME AUCUNE RESPONSABILITÉ POUR LES DOMMAGES FORTUITS OU INDIRECTS.

Certains États et certaines provinces ne permettent pas l'exclusion ou la limitation des dommages fortuits ou indirects de sorte que cette exclusion ou limitation peut ne pas être applicable dans votre cas. Cette garantie vous confère des droits juridiques spécifiques et vous pouvez également jouir d'autres droits qui peuvent varier d'un État à un autre ou d'une province à une autre.

**À l'extérieur du Canada et des 50 États des États-Unis, cette garantie ne s'applique pas. Contacter votre marchand Crosley autorisé pour déterminer si une autre garantie s'applique.**

Si vous avez besoin de service, consulter d'abord la section "Dépannage". De l'aide supplémentaire peut être trouvée en consultant la section "Assistance ou service", ou en appelant notre Centre d'interaction avec la clientèle au **1-800-253-1301**, de n'importe où aux États-Unis, ou en écrivant à : Crosley Corporation, c/o Correspondence Dept., 675 N. Main St., Winston-Salem, NC 27102-2111. 2/04

**Conservez ce manuel et votre reçu de vente ensemble pour référence ultérieure. Pour le service sous garantie, vous devez présenter un document prouvant la date d'achat ou d'installation.**

Inscrivez les renseignements suivants au sujet de votre laveuse pour mieux vous aider à obtenir assistance ou service en cas de besoin. Vous devrez connaître le numéro de modèle et le numéro de série au complet. Cette information se trouve sur la plaque signalétique indiquant le numéro de série et le numéro de modèle, située sur votre appareil.

Nom du marchand \_\_\_\_\_

Adresse \_\_\_\_\_

Numéro de téléphone \_\_\_\_\_

Numéro de modèle \_\_\_\_\_

Numéro de série \_\_\_\_\_

Date d'achat \_\_\_\_\_