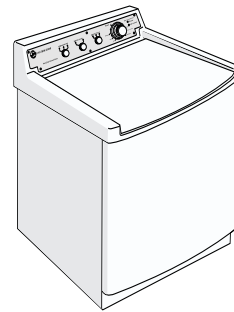




STABER CLOTHES WASHER

HXW2304
HXW2305
HXW2404
HXW2405
HXW2504
HXW2505



Operator's Manual

Installation/Operation/Maintenance/Parts

Part Number 818235
Printed in USA

FORWARD


We are pleased that you have selected a Staber clothes washer as one of your appliances. Your clothes will be washed using a tumble action inner tub. Please register your new Staber washer on our Internet web site, www.staber.com.


An average of sixteen gallons of water per cycle moves through your clothes to clean them, therefore less water and detergent is used than in agitator washers. Your clothes spin at approximately 700-750 RPM during the spin cycle, removing most of the water to reduce drying time.

You will receive many years of service with the durable stainless steel inner and outer tubs. You will enjoy economic, environmental, and energy savings. All parts of the Staber washer are completely recyclable.

To get the best performance from this clothes washer, operate and maintain it according to the instructions in this manual.






Note the importance of safety. You and anyone else using or maintaining this clothes washer are strongly urged to read this manual, especially all the safety instructions.

 **WARNING** and **CAUTION**, used with the triangular safety alert symbol, highlight safety messages. Always read and understand these messages because they relate to personal injury and your safety.

 **IMPORTANT** messages refer to mechanical information and the possibility of damaging a part or parts of the clothes washer.

 **NOTE** identifies general information worthy of special attention.

CONTENTS

-  **3** Important Safety Instructions
- 4** Warranty
- 5** Installation Instructions
- 6** Benefits and Washing Instructions for the Staber Washer
-  **8** Operation
-  **9** Maintenance
-  **13** Troubleshooting Guide
-  **15** Parts

Model, Series and Serial numbers are used to identify your new Staber clothes washer. These numbers should always be referred to when consulting the Customer Assistance Center concerning service, parts, or other information you may require.

For your convenience and ready reference, enter Model, Series, and Serial numbers below.

Model number.

Series number.

Serial number.

IMPORTANT SAFETY INSTRUCTIONS



This safety alert symbol means CAUTION or WARNING – “personal safety instruction.” Read and understand the instruction because it has to do with safety. Failure to comply with the instruction may result in personal injury.

Improper use or maintenance of clothes washer can result in injury. To reduce potential for injury, comply with the following safety instructions.

⚠ WARNING – To reduce the risk of fire, electric shock, or injury to persons when using this appliance, follow basic precautions, including the following:

- 1 Read all instructions before using the appliance.
- 2 Do not wash articles that have been previously cleaned in, washed in, soaked in, or spotted with gasoline, dry-cleaning solvents, or other flammable or explosive substances as they give off vapors that could ignite or explode.
- 3 Do not add gasoline, dry cleaning solvents, or other flammable or explosive substances to the wash water. These substances give off vapors that could ignite or explode.
- 4 Under certain conditions, hydrogen gas may be produced in a hot water system that has not been used for two weeks or more. **HYDROGEN GAS IS EXPLOSIVE** If the hot water system has not been used for such a period, before using this washing machine, turn on all hot water faucets and let the water flow from each for several minutes. This will release any accumulated hydrogen gas. Since the gas is flammable, do not smoke or use an open flame during this time.
- 5 Do not let children play on or around the appliance. Close supervision is necessary when the appliance is used near children.
- 6 Before the appliance is removed from service or discarded, remove the top lid assembly.
- 7 Do not reach into the appliance if the clothes basket is moving.
- 8 Do not install or store this appliance where it will be exposed to the weather.
- 9 Do not tamper with any controls.
- 10 Do not repair or replace any part of the appliance or attempt any servicing until contacting customer service, unless specifically recommended in the user-maintenance instructions or in published user-repair instructions that you understand and have the skills to carry out.

IMPORTANT GROUNDING INSTRUCTIONS

This appliance must be grounded. In the event of malfunction or breakdown, grounding will reduce the risk of electric shock by providing a path of least resistance for electric current. This appliance is equipped with a cord having an equipment grounding conductor and a grounding plug. The plug must be plugged into an appropriate outlet that is properly installed and grounded in accordance with all local codes and ordinances .

⚠ WARNING – Improper connection of the equipment grounding conductor can result in the risk of electric shock. Check with a qualified electrician or service person if you are in doubt as to whether the appliance is properly grounded. Do not modify the plug provided with the appliance. If it will not fit the outlet, have a proper outlet installed by a qualified electrician.

WARRANTY

Length of warranty	Staber Industries will pay for:	Staber Industries will not pay for:
ONE YEAR FULL WARRANTY FROM DATE OF PURCHASE	Replacement parts and/or repair labor with prior written authorization to correct defects in materials or workmanship.	A Service calls to: 1 Correct the installation of the washer. 2 Instruct you how to use the washer. 3 Correct wiring, correct plumbing or replace house fuses.
FIVE YEAR LIMITED WARRANTY ONE YEAR FULL PLUS SECOND THROUGH FIFTH YEAR LIMITED FROM DATE OF PURCHASE	Replacement parts for the Bearing Assembly & Suspension System if defective in materials or workmanship.	B Labor charges when washer is used in other than normal home use. C Labor charges for other than normal grid power usage. D Damage resulting from accident, alteration, misuse, abuse, improper installation or installation not in accordance with local electrical and plumbing codes.
TWENTY-FIVE YEAR LIMITED WARRANTY FROM DATE OF PURCHASE	Replacement parts for the outer tub module if the tub develops a water leak caused by rust through as a result of defective materials or workmanship.	E Any labor costs during the limited warranty. F Shipping charges for warranty parts or labor for units operated outside the Continental United States. G Pickup and delivery. This product is designed to be repaired in the home. H Repairs to parts or systems caused by unauthorized modifications made to the appliance.

STABER INDUSTRIES DOES NOT ASSUME ANY RESPONSIBILITY FOR INCIDENTAL OR CONSEQUENTIAL DAMAGES.

Some states do not allow the exclusion or limitation of incidental or consequential damages, so this exclusion may not apply to you.

This warranty gives you specific legal rights and you may have other rights which may vary from state to state.

If you need service, first see the "Troubleshooting Guide" section of the Operator's manual. After checking the "Troubleshooting Guide", additional help can be found by calling our **Customer Assistance Center** telephone number **1-614-548-0098**.

All warranty parts must be returned to the factory freight prepaid.

CAUTION: Use great care when loading, unloading or working around clothes basket with top lid raised. **DO NOT** allow any items to fall between inner and outer tubs. If this should occur **DO NOT START WASHER.** The item must be removed from the tub or damage to the clothes basket or water system may occur. If the item cannot be removed by rotating the clothes basket, we recommend removing the item through the sump hose. Refer to maintenance procedures for details.

Uncrate clothes washer using care not to scratch or damage surface of washer.

IMPORTANT: When lifting or moving clothes washer, always do so from left and/or right side of washer. Lifting or moving from the front or back may damage clothes washer.

Lift clothes washer straight up off bottom of shipping container and remove styrofoam shipping block. Unpack clothes basket and accessories.

NOTE: We recommend that all shipping materials be either retained for later use in moving the clothes washer or recycled through a local solid waste management agency.

The water fill hoses are pre-attached to the water inlet valve on the rear of the washer and should not be removed during installation.

Place clothes washer in position taking care to move clothes washer by moving only from either side.

Level clothes washer side-to-side and front-to-back. **DO NOT** level washer with front higher than back, damage to internal parts can result.

Place a bubble level on top of clothes washer with lid open. Loosen locknuts on leveling legs and level washer. Keep leveling legs as close to washer frame as possible. There should be an equal amount of weight on all four legs.

After washer is level, secure legs by rotating locknuts up against washer frame. Locate the four foot pads and install one on each leveling leg.

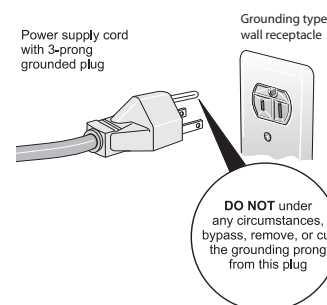
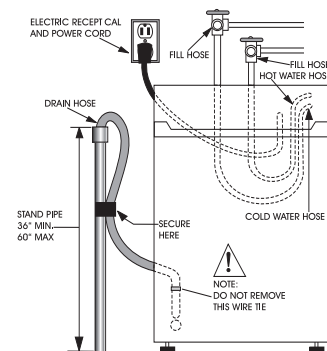
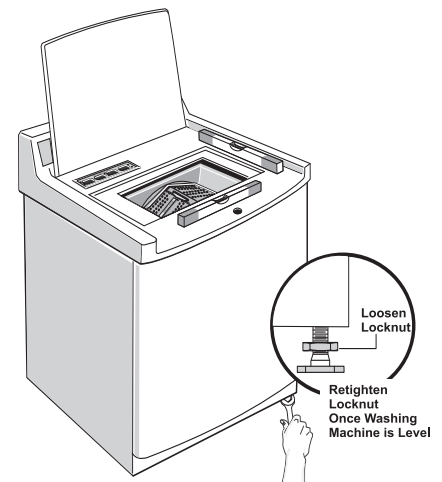
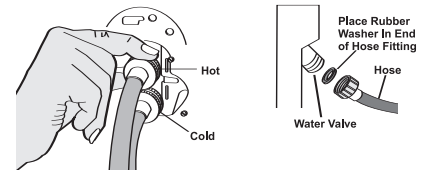
Recheck level of clothes washer and adjust as necessary.

Remove all but the lowest drain hose shipping ties from back of washer. Form a 'gooseneck' in free end of hose, place end in standpipe and secure.

Attach free end of each fill hose to appropriate water supply, top hose to hot water supply and bottom hose to cold water supply. Turn water on and check for leaks.

Plug power supply cord into grounded 120V/60Hz electrical receptacle only.

WARNING: Do not use adapter plug, extension cord, or remove grounding prong from power supply cord. Do not modify plug provided with this clothes washer. If it will not fit a properly grounded outlet, have a properly grounded outlet installed by a qualified electrician. Electrical current can cause fire and serious bodily harm.



BENEFITS OF STABER WASHER


- 1 Washes more clothes per load than a traditional agitator washer and saves on drying time with superior moisture extraction.
2. Gentle wash action ensures less wear and tear on clothes (clothes last longer).
3. Conserves water, energy, and money spent on laundry products.

TO WASH CLOTHES, FOLLOW THESE SIMPLE INSTRUCTIONS

STEP 1 After raising top outer lid, open access doors to clothes basket. Using both hands, one on each door, firmly depress safety latch on left door to release latching hook; slowly allow the doors to spring open.

STEP 2 Load tub with clothes--tub can be lightly packed without affecting wash performance.

STEP 3 Add measured amount of detergent/bleach/softener as follows:

 **IMPORTANT:** Use an average of only one ounce of detergent, bleach, or fabric softener. Using more detergent than recommended decreases the cleaning effectiveness, can cause suds or water to overflow and may damage the washer. If using a water softener, less detergent may be required.

PREWASH CYCLE


Pour **1 OUNCE** each, of low sudsing detergent, bleach (if desired) and fabric softener (if desired) into designated reservoirs, adding up to **one additional OUNCE** of detergent to the reservoir marked "pre-wash."

NORMAL WASH CYCLE

Pour **1 OUNCE** each, of low sudsing detergent, bleach (if desired), and fabric softener (if desired) into designated reservoirs. If using powdered detergent, pour **NOT MORE THAN 2 OUNCES** over clothes.

STEP 4 Using both hands, close inner access doors ensuring that left door "latching hook" securely engages right side "louver". Close top lid.

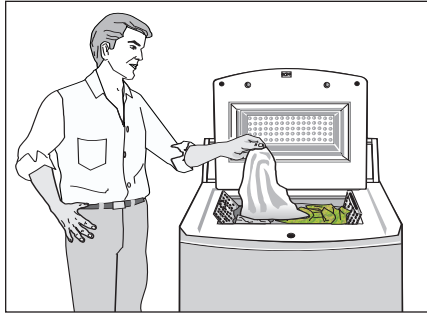
STEP 5 Set temperature, water level, and wash cycle selection switches. Push timer knob in, rotate to desired start position, pull timer knob out. The red light will come on to indicate power to the washer and agitation will start. The green "lid locked" light only lights during spin portions of the cycle. To gain access to clothes after washer has started to agitate, wait for washer to stop agitating, then open lid. If the lid is opened while washer is agitating the loading doors may not be at the top.

 **Caution – DO NOT** attempt to raise the top lid when the lid locked lamp is lit. To gain access to clothes tub after washer has started to spin, push timer knob in. Lid locked lamp will go out within two minutes and top lid may then be opened.

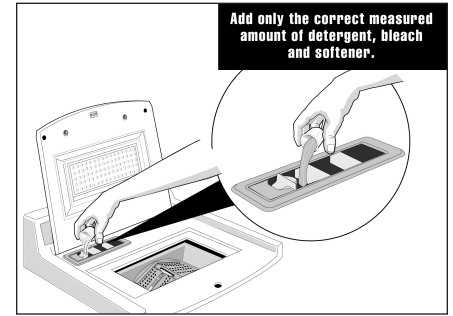
STEP 1



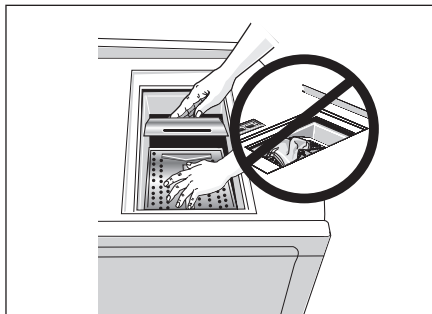
STEP 2



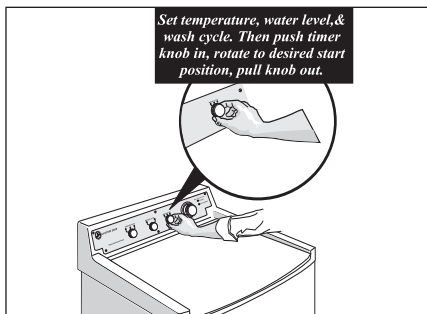
STEP 3



STEP 4



STEP 5



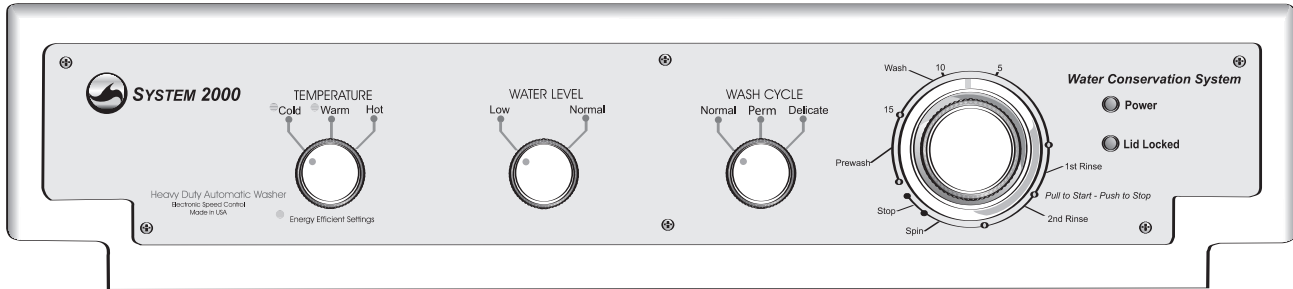
CAUTION



FOUR THINGS THAT AFFECT THE CLEANLINESS OF YOUR CLOTHES

1. **The amount of Agitation:** Equipped with a patented inner and outer tub, the Staber washer is designed to increase the agitation rate allowing for minimal use of chemicals, heat and time per wash load.
2. **The amount of Detergent used:** The increased agitation performance eliminates the need for excess detergent, leaving your clothes smelling less like perfume and more like natural woven fabrics.
- ① **Note:** Using too much detergent will cause oversudsing and create a 'whiteout' condition. This prevents all agitation and will cause poor wash performance. Using more detergent does not mean cleaner clothes!
3. **The amount of Heat used:** Use hot water for white loads and use warm or cold water for other colors. The wash temperature can be increased to allow for more energy to break down the unwanted particles on your clothes.
4. **The amount of Time washed:** By using the pre-wash cycle with detergent, the Staber washer allows for more time to break down unwanted dirt particles, getting your clothes cleaner in one wash load.

The Staber washer is designed to eliminate the need to increase the above mentioned items while ensuring the maximum cleaning per wash cycle.



CONTROLS

Temperature Controls temperature of wash water only. Clothes washer is designed to use cold water for rinses.

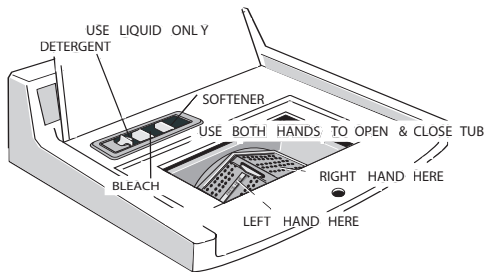
Water level Controls amount of water entering clothes washer during each fill. Use High setting for all normal loads containing a fully or loosely packed tub. Use Low setting for loads containing only a few garments.

Wash cycle Controls agitation speed, agitation duty cycle and spin speed. Use Normal setting for most fabrics; it has the fastest spin speed. Perm and Delicate settings have the slower spin speeds. Use Perm setting for cottons and blends with a No-Iron fabric. Use Delicate setting for delicate and knit items.

Timer Controls selection of pre-wash cycle and length of wash cycle.

Power lamp ON indicates that power is being applied to electronics to start clothes washer.

Lid locked lamp ON indicates that lid lock has locked and spin cycle can begin. OFF indicates that lid lock has released and top lid may be safely opened. DO NOT attempt to open lid while this lamp is ON.



LIQUID DISPENSING SYSTEM

All holding reservoirs will retain a maximum of 2 ounces of liquid solution. Flow through reservoir serves as a funnel to dispense a pre-measured amount of low sudsing liquid detergent or bleach into wash tub without pouring solution directly onto clothes in tub.

Recommended amount of low sudsing liquid detergent, bleach, or fabric softener to use for normal wash loads is 1 ounce. For Low water level setting, use 1/2 ounce.

Use a water-like concentration liquid fabric softener. Using a thick concentrate softener can clog reservoir outlet. If clogging occurs, flush reservoir with clean water.

REMOVE FRONT PANEL

- 1 Disconnect the appliance from the power source.
- 2 Remove the four 5/16 headed screws located at the bottom of the front panel.
- 3 After the screws have been removed, grasp the panel on both sides and pull forward.
Allow the panel to drop free of the top assembly and set aside.

INSTALL FRONT PANEL

- 1 Locate left and right side of front panel over guide pins on cabinet.
- 2 While applying upward pressure, use a 5/16 nut driver and screw the four 5/16 headed screws back in the bottom of the front panel.

HOW TO RAISE TOP ASSEMBLY

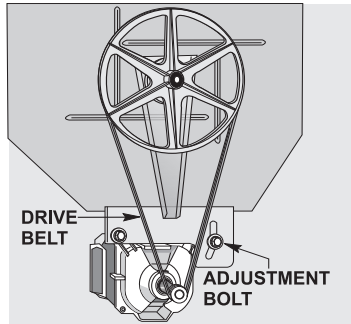
- 1 Remove front panel.
- 2 Remove the two 5/16-headed screws located at the upper left and right corner of the edge of the cabinet. These two screws will allow access to the interior of the machine. Set these two screws aside separate from the other four screws because they may be different on your machine.
- 3 Lift up on the front of the top until the two front clips have cleared the edge of the cabinet. **Note:** Secure the lid to the top panel with a piece of tape or some other means. Once the top is raised vertically, the lid might open and fall backwards. This could damage the lid or cause it to become detached from the top.
- 4 Pull the plastic top assembly towards you an inch to free up the hinges on the back. Then lift the top until you can gain access to the rear wall of the cabinet. **Note:** Again, secure the top so it will remain open while you are working in this area. If the top is not secured, it could fall closed while you are working in this area.

ACCESSING THE MOTOR CONTROL BOARD

- 1 First unplug the machine from its power source.
- 2 Remove front panel
- 3 Raise top assembly
- 4 The motor control board is now accessible. The location of the board is on the rear upper right corner of the cabinet.

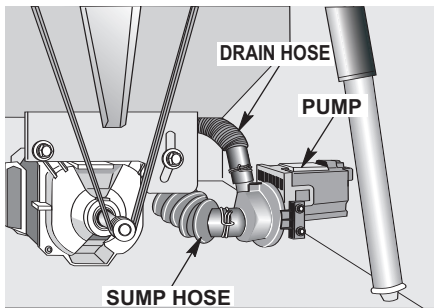
REPLACE DRIVE BELT

- 1 Remove the front panel as directed under "REMOVE FRONT PANEL".
- 2 Remove belt and inspect pulleys for wear and tightness.
- 3 Install new belt on pulleys, check belt tension and adjust as necessary. Install front panel on clothes washer as directed under "INSTALL FRONT PANEL" and plug power cord into electrical receptacle.



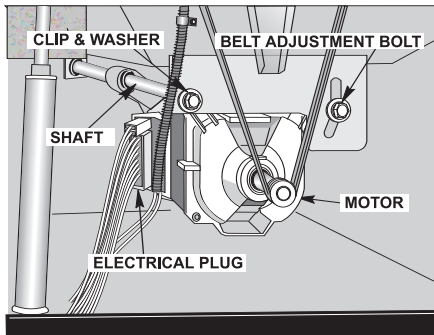
REPLACE PUMP

- 1 Remove the front panel as directed under "REMOVE FRONT PANEL".
- 2 Remove sump and drain hoses from pump (with pliers) using a pan to catch any trapped water.
- 3 Remove wires from pump.
- 4 Remove two bolts from pump and remove pump from clothes washer.
- 5 Install wires on new pump, install pump on clothes washer, reconnect sump and drain hoses on pump and reinstall front panel as directed under "INSTALL FRONT PANEL". Plug power cord into electrical receptacle.



REPLACE DRIVE MOTOR

- 1 Remove the front panel as directed under "REMOVE FRONT PANEL".
- 2 Remove belt adjustment bolt and drive belt from motor.
- 3 Remove clip and washer from pivot shaft. Slide shaft to rear far enough to allow motor to come off shaft.
- 4 Note position of wiring plugs on motor and remove plugs from motor.
- 5 Install wiring plugs on new motor as noted, position motor on shaft, slide shaft into position and secure with washer and clip. Install drive belt adjustment bolt on motor. Install drive belt, adjust belt tension and tighten adjustment bolt. Install front panel on clothes washer as directed under "INSTALL FRONT PANEL" and plug power cord into electrical receptacle.



REPLACE TIMER

- 1 Disconnect the appliance from the power source.
- 2 Remove the six screws that hold the control panel to the top.
- 3 Allow the control panel to slide down, pull the top of the control panel out and lift up.
- 4 Lay the control panel face down on the top while removing the timer.
- 5 To release the setting knob pull out on the black shaft extending through the timer. Pull off indicator dial.
- 6 Remove the timer wire harness connection. Lift up locking tap and pull out on the harness until the connector is free from the timer.
- 7 Note the position of the timer. The replacement will be reinstalled in the same position.
- 8 Remove the 5/16 headed screw that holds the timer to the control panel.
- 9 Lift up on timer locking tap labeled "1" and slide the complete timer to the left and remove. Install the new timer in reverse sequence.
- 10 Install timer mounting screw.
- 11 Reinstall the wire connection. Once the timer connection is fully seated, you will hear a slight click. This indicates that the locking tab is locked.
- 12 Replace the timer indicator dial. There is a flat on the inside of the indicator that will match the flat on the timer plastic shaft. This will align the indicator dial on the timer.
- 13 Install knob on timer and push black shaft extending through timer until flush with rear of timer housing.

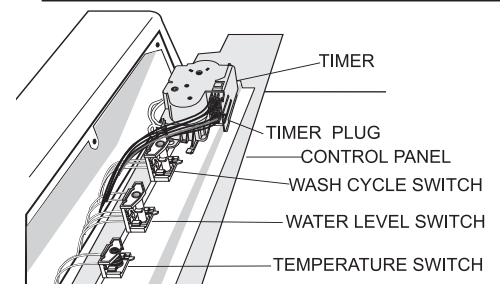
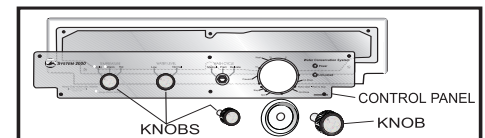
- 14 Reinstall control panel to housing. Insert bottom of control panel into housing first. Then slide the panel into place and secure with six philips head screws.

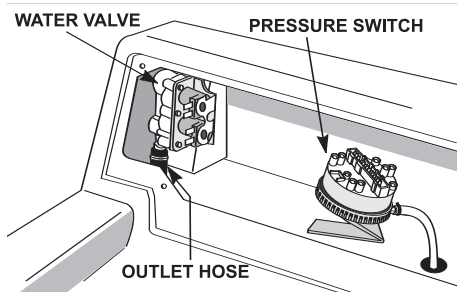
ⓘ NOTE: Do not over tighten the screws or you will strip the holes and the screws will not hold.

- 15 Plug machine into the 120 vac power supply.

REPLACE TEMPERATURE, WATER LEVEL AND WASH CYCLE SWITCHES

- 1 Disconnect the appliance from the power source.
- 2 Remove the six screws that hold the control panel to the top.
- 3 Allow the control panel to slide down, pull the top of the control panel out and lift up.
- 4 Lay the control panel face down on the top.
- 5 Pull knob off switch to be replaced. Unscrew attaching nut from switch and remove switch from front control panel. Note on a piece of paper, position and color of electrical wires on switch. Remove wires from switch.
- 6 Install wires on new switch as noted. Install switch on control panel using nut. Reinstall control panel by reversing procedures above. Install knob on switch and plug in power cord.



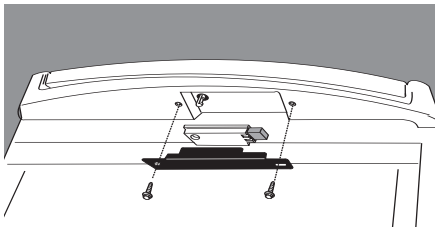


REPLACE PRESSURE SWITCH

- 1 Disconnect the appliance from the power source.
- 2 Remove the six philips head screws that hold the control panel to the top.
- 3 Allow the control panel to slide down, pull the top of the control panel out and lift up.
- 4 Lay the control panel face down on the top.
- 5 Pull up on the pressure switch that is fastened to the bottom of the control housing.
- 6 Remove the connectors from the switch.
- 7 To install a new switch, reverse the above procedures.
- 8 Plug power cord into electrical receptacle.

REPLACE WATER VALVE

- 1 Disconnect the appliance from the power source.
- 2 Shut off the hot and cold water supply.
- 3 Remove the six screws that hold the control panel to the top.
- 4 Allow the control panel to slide down, pull the top of the control panel out and lift up.
- 5 Lay the control panel face down on the top.
- 6 Using a 5/16 nut driver, remove the water valve hold down nut located between the two electrical coils on the valve. Lift the water valve from the control panel.
- 7 Note on a piece of paper, position and color of electrical wires on the water valve. Remove the wires from the valve.
- 8 Remove the two inlet hoses from the water valve.
- 9 Remove the outlet hose from the water valve.
- 10 Install a the new water valve on the clothes washer by reversing the above procedures.
- 11 Turn on both water supplies. Check for water leaks.
- 12 Plug the power cord into electrical receptacle.



REPLACE LID LOCK SWITCH

- 1 Remove the front panel as directed under "REMOVE FRONT PANEL".
- 2 Remove two screws from lid lock switch bracket and remove switch from clothes washer.
- 3 Note on a piece of paper, position of wiring plug on switch. Remove plug from switch.
- 4 Install plug on new switch as noted and install switch on clothes washer. Reinstall front cover as directed under "INSTALL FRONT PANEL" and plug power cord into electrical receptacle.

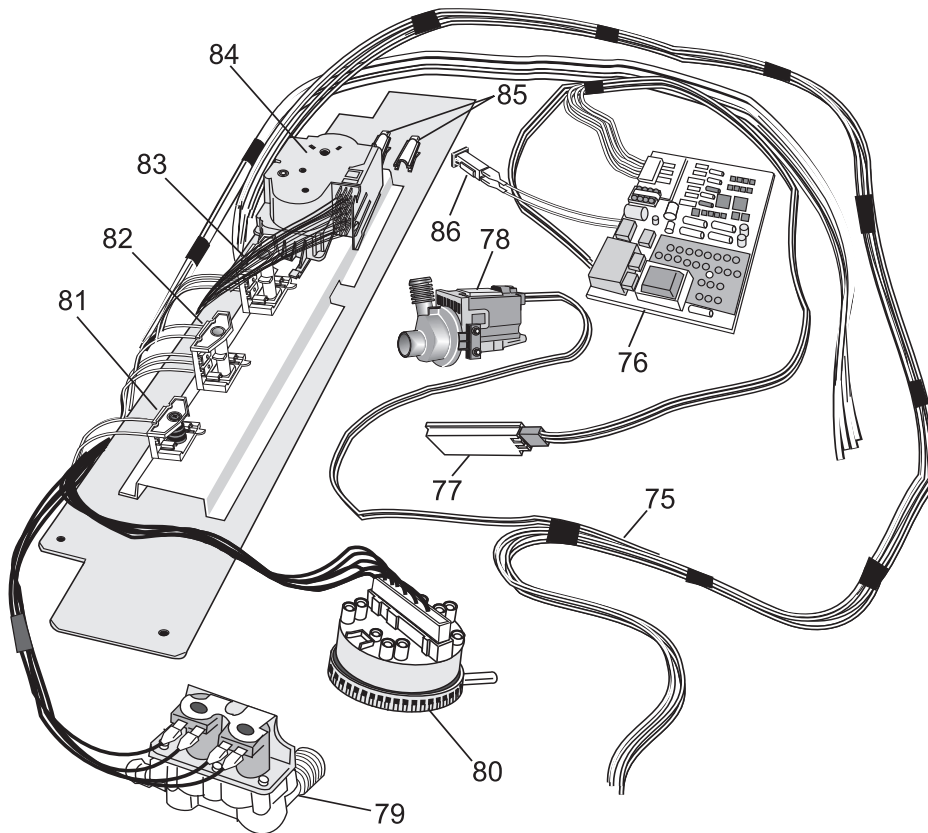
PROBLEM	CAUSE	CORRECTIVE ACTION
Power On light does not illuminate when timer knob is pulled out.	Clothes washer not plugged in.	Plug power cord into properly grounded receptacle.
	Electrical outlet does not have AC power.	Check fuse or circuit breaker.
	Light is burned out.	Replace light.
Lid locked light does not illuminate during spin cycle.	Lid is not fully closed.	Close lid completely.
	Microprocessor did not properly boot up.	Reset microprocessor, unplug machine for a minimum of 30 seconds and plug back in.
	Lid lock assembly has failed.	Replace lid lock assembly.
	Motor control circuit board defective.	Check inputs to circuit board.
	Water on circuit board.	Dry board.
	Polarity is incorrect at receptacle.	Call electrician and correct.
	Low voltage on inverter system	Take inverter out of sleep mode and reset microprocessor, unplug machine for a minimum of 30 seconds and plug back in.
	Light has burned out	Replace light.
Water does not enter the clothes washer.	Water supply turned off.	Turn water on.
	Screens in water inlet valve are plugged.	Clean screens.
	Water valve has failed.	Replace water valve.
	Pressure switch has failed.	Replace pressure switch.
	Water level switch has failed.	Replace water level switch.
	Water level switch hung up between high and low.	Move switch to correct position.
Water flows continuously.	Drain hose is not in stand pipe.	Place hose in stand pipe and secure.
	Pressure switch has failed.	Replace pressure switch.
	Water level switch has failed.	Replace water level switch.
	Pressure switch tube is disconnected from pressure switch.	Connect pressure tube.
	Plugged pressure switch tube.	Remove obstruction.
Washer does not agitate.	Motor control board has failed.	Check fuse on circuit board.
	Motor has failed.	Replace motor.
	Drive belt has broken or come off the pulley.	Replace belt or reinstall drive belt.
	J1 connector on motor control board is not making contact.	Reset connector on board.
	Washer plugged into "Green Plug."	Do not use. Remove from circuit.
Poor connection on timer plug.	Reseat connector.	



PROBLEM	CAUSE	CORRECTIVE ACTION
Water does not drain from clothes washer.	Obstruction in sump area of outer tub.	Remove obstruction.
	Obstruction in sump hose.	Remove obstruction.
	Obstruction in pump.	Remove pump and clear obstruction.
	Obstruction in drain hose or stand pipe.	Remove obstruction.
	Pump has failed.	Replace pump.
	Stand pipe higher than seven feet.	Shorten stand pipe.
	Poor connection on timer plug.	Reseat connector.
Washer does not spin	Motor control circuit has failed.	Check circuit breaker on back of machine. If showing white is has popped out and will push gently- do not force.
	Pressure switch has failed.	Replace pressure switch.
	Drive belt has broken or come off the pulley.	Replace belt or reinstall drive belt.
	Motor has failed.	Replace motor.
	Out of balance switch has tripped.	Wash a larger load.
	Program selector switch has failed.	Replace program selector switch.
	Pump did not pump out water.	Remove obstruction from pump.
Washer walks across floor.	Shipping block under motor not removed.	Remove shipping block.
	Washer not level.	Level washer.
	Weight of washer not evenly distributed on all four leveling legs.	Adjust leveling legs properly.
	Out of balance switch out of adjustment.	Adjust out of balance switch.
Washer spins with a full tub of water.	Defective control board.	Replace control board.
	Reverse polarity at receptacle.	Call electrician and correct.
	Defective pressure switch.	Change pressure switch.
Water leaks from washer.	Over sudsing of wash load.	Reduce amount of detergent. Do not use Ultra products.
	Rubber skirt not in correct position.	Reseat skirt into outer bezel.
	Defective hose from water valve to soap dispenser.	Replace hose.
	Defective drain hose.	Replace drain hose and install in correct position.
	Defective drain hose.	Reinstall sump hose hanger
Timer does not advance in prewash, wash or rinse cycles.	Sump hose hanger not on	Check water supply.
	Not enough water.	Check inlet screens at water valve. Replace water valve.



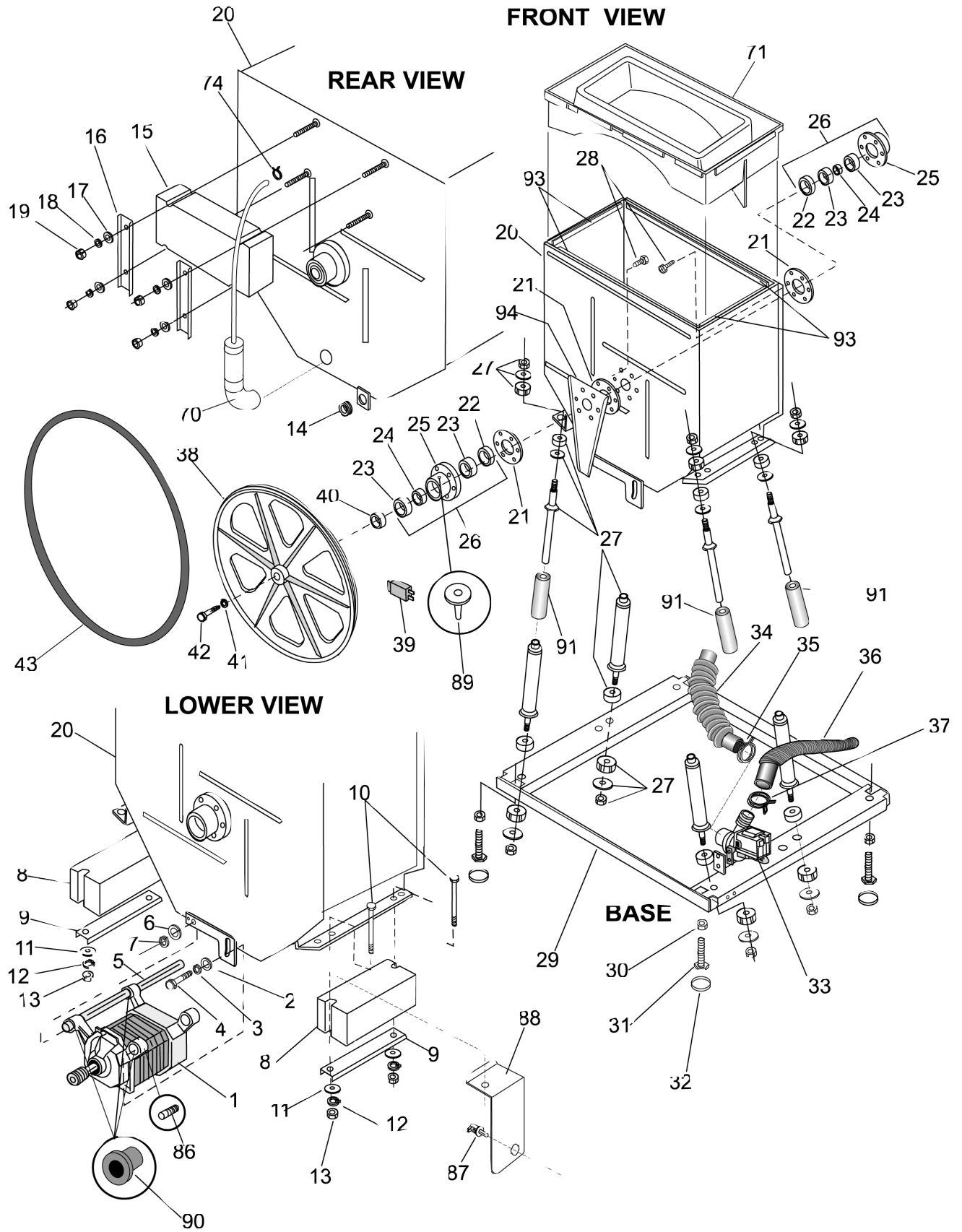
ITEM	PART NUMBER	DESCRIPTION	QUANTITY
75	813271M	Wiring Harness	1
76	813226	Motor Controller	1
77	813203	Lid Lock	1
78	814201	Pump	1
79	814237	Water Valve	1
80	813215	Pressure Switch	1
81	813209	Switch - Temperature	1
82	813223	Switch - Water Level	1
83	813211	Switch - Program Selector (Wash Cycle)	1
84	813267	Timer	1
85	813213	Indicator Light - Red	1
86	813214	Indicator Light - Green	1
86	813245	Circuit Breaker 10 AMP	1





PARTS

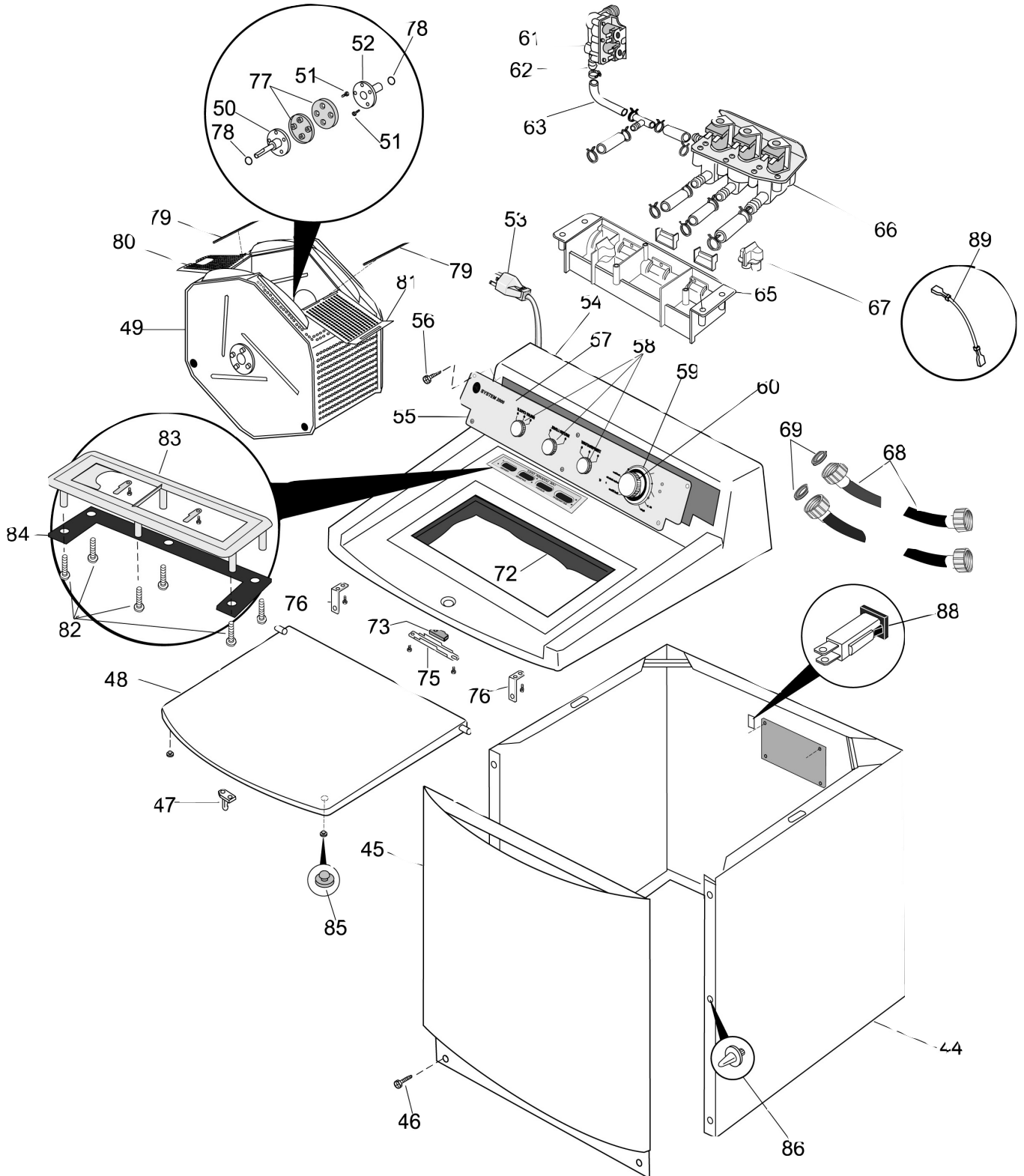
ITEM	PART NUMBER	DESCRIPTION	QUANTITY
1	813217	Motor	1
2	818225	Flat Washer 5/16	1
3	818265	Lock Washer 5/16	1
4	818229	Bolt 5/16-18 x 3/4	1
5	817216	Shaft, Motor Pivot	1
6	817222	Spacer	2
7	818219	Retaining Ring	2
8	817219	Weight - Side	2
9	817305	Bracket	2
10	818261	Bolt 5/16-18 x 4	4
11	818225	Flat Washer 5/16	4
12	818265	Lock Washer 5/16	4
13	818263	Nut 5/16-18	4
14	817220	Motor Pivot Shaft Bushing	1
15	817217	Weight - Rear	1
16	817307	Bracket	2
17	818225	Flat Washer 5/16	4
18	818265	Lock Washer 5/16	4
19	818263	Nut 5/16-18	4
20	817101	Tub - Outer	1
21	811203	Gasket	3
22	811201	Seal	2
23	812201	Bearing	4
24	817249	Spacer	2
25	817239M	Hub	2
26	817105	Hub Assembly	2
27	817253	Strut Assembly	4
28	818201	Bolt 1/4-20 x 5/8 S.S.	12
29	817111	Base Frame	1
30	818227	Nut 3/8-16	4
31	817265	Leveling Leg	4
32	817267	Foot Pad	4
33	814201	Pump	1
34	814213	Sump Hose	1
35	814217	Hose Clamp	1
36	814215	Drain Hose	1
37	814221	Hose Clamp	1
38	817135	Pulley	1
39	813225	Proximity Switch	1
40	817249	Spacer	1
41	818285	Lock Washer 1/4	2
42	818349	Bolt 1/4-20 x 5/8 with hole	2
43	817293	Belt	1
70	817139	Hose - Pressure Switch	1
71	817298	Bezel	1
74	814227	Pressure Switch Hose Clamp	1
86	817214	Adjustment Stud	1
87	813265	Balance Switch	1
88	817357	Balance Switch Bracket	1
89	818343	Hole Plug-Yellow	1
90	818231	Leg Grommet (Motor)	3
91	817163	Assembly, Suspension Cover	4
93	811209	Foam Tape 1/8" x 1/2"	
94	817335	Outer Tub Brace	1





PARTS

ITEM	PART NUMBER	DESCRIPTION	QUANTITY
44	817271	Cabinet	1
45	817115	Front Panel	1
46	818217	Screw	4
47	817291	Locking Pin	1
48	817289	Lid	1
49	817103	Inner Tub Assembly	1
50	817107	Drive Shaft Assembly	1
51	818201	Bolt 1/4-20 x 5/8 S.S.	8
52	817109	Support Shaft Assembly	1
53	813221	Power Cord	1
54	817279	Top	1
55	817314	Control Panel	1
56	818241	Screw	6
57	817381	Panel Overlay - HXW2304, HXW2305	1
58	818353	Small White Knob	3
	818363	Small Black Knob	3
59	818357	White Indicator Dial	1
	818367	Black Indicator Dial	1
60	818355	Large White Knob	1
	818365	Large Black Knob	1
61	814237	Water Valve	1
62	994201	Hose Clamp	2
63	814251	Hose - Valve to Soap Dispenser	1
65	817365	Soap Dispenser Body	1
66	814241	Valve Dispenser	1
67	817370	Soap Dispenser Siphon	1
	817366	Soap Dispenser Deflector	1
68	814205	Water Supply Hose	2
69	814225	Hose Washer	4
72	817299	Skirt	1
73	813203	Lid Lock Switch	1
75	817323	Lid Lock Switch Bracket	1
76	817321	Bracket, Top Hold Down	2
77	817351	Flange Cover	2
78	811217	O-Ring	2
79	817225	Hinge Pin	2
79A	817229	Spring	4
80	817153	Door Hook Assembly	1
81	817233	Door Louver	1
82	818373	Screw	6
83	817367	Dispenser Bezel (Soap)	1
84	811221	Gasket Soap Dispenser	1
85	818257	Lid Bumper	2
86	818213	Locator Drive Rivet	2
88	813245	Circuit Breaker- 10 Amp	1
89	813247	6" Wire Lead	2



Staber Industries, Inc.
4800 Homer Ohio Lane
Groveport, Ohio 43125

614.548.0098 phone

www.staber.com

Product information and specifications are shown herein as of the time of printing. Staber Industries, Inc. reserves the right to change product specifications, designs and standard equipment without notice and without incurring obligation.