

SEARS
Parts & Repair Services

**REPAIR
PARTS
LIST**

417.44052400

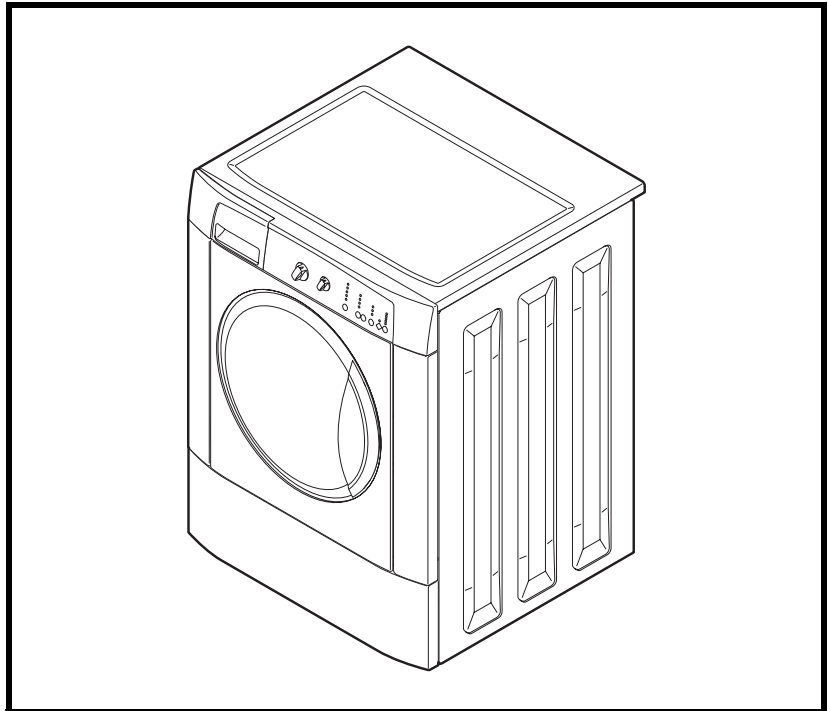
For Parts or Service:

Call

**1-800-4-MY-HOME[®]
(1-800-469-4663)**

Or Visit

www.sears.com



FRONT-LOAD WASHING MACHINE

In all orders or correspondence, avoid delays and misunderstandings by always giving the complete model number shown on the serial plate located on the inside of the washer door.

All repair parts listed are available for immediate purchase or special order when you visit your nearest Sears Parts & Repair Center, or the Service Department at most Sears stores. To order parts by phone, call the toll-free number listed to the left or visit sears.com.

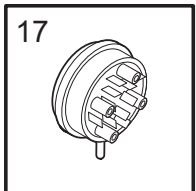
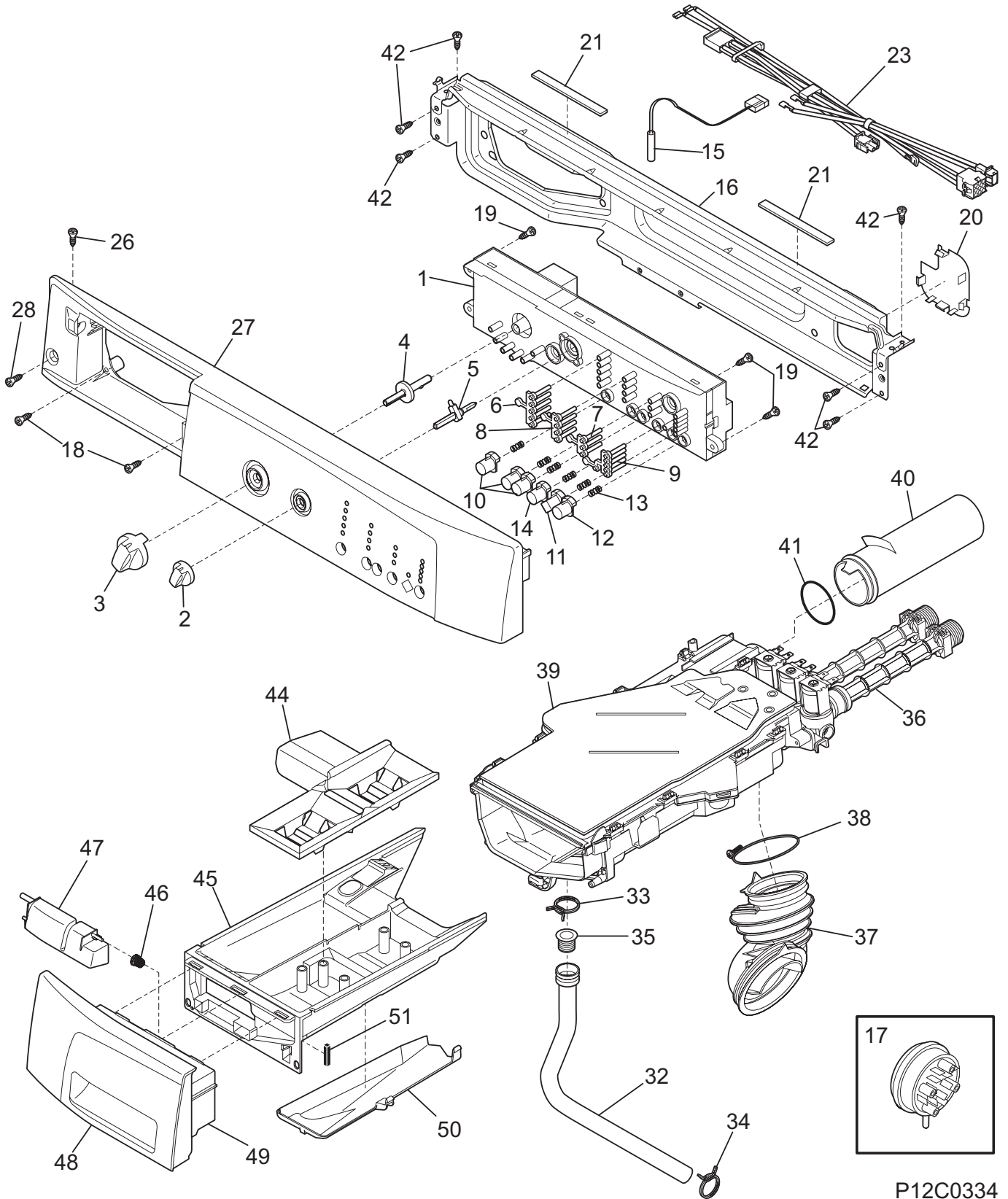
When requesting service or ordering parts, always provide the following information:

- Product Type
- Part Number
- Model Number
- Part Description

**Sears, Roebuck and Co., Hoffman Estates, IL 60179 U.S.A
P/N 134375000 Publication number 5995422929**

CONTROL PANEL

CAUTION: Use the Kenmore part number to order part, not the illustration number.



P12C0334

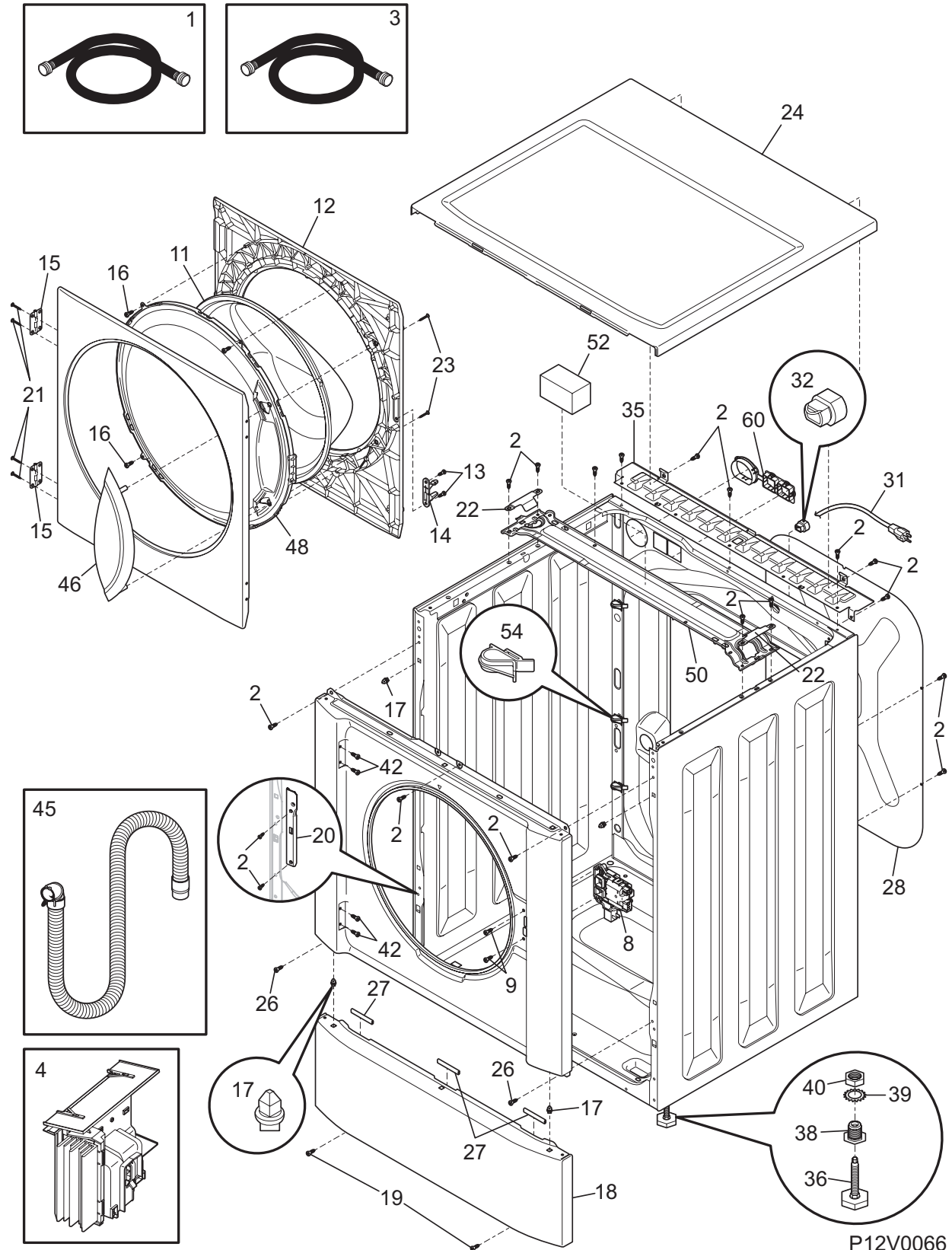
CONTROL PANEL

CAUTION: Use the Kenmore part number to order part, not the illustration number.

POS. NO	PART NO.	DESCRIPTION
1 #	134484001	Control Board, printed circuit, with housing
2	134415600	Knob, function, with bushing
3	134415200	Knob, program, with bushing
4	134347700	Pin, program knob
5	134347300	Pin, function knob
6	134429100	Light Pipe, array, 1 row of 5
7	134429300	Light Pipe, array, 3 row of 3
8	134429200	Light Pipe, array, 2 row of 4
9	134429400	Light Pipe, array, 4 start group
10	134385100	Push Button, function
11	134385201	Push Button, start
12	134385301	Push Button, pause
13	134349400	Spring, push button
14	134385400	Push Button, soil
15 #	134399300	Switch, reed
16	134364800	Bracket, top front
17 #	134431100	Switch, pressure
18	131302800	Screw, vane mtg., 10-16AB x 0.375
19	134402900	Screw, phillips pan hd, 6-19 x 0.650, type p
20	134452600	Cover, hole plug
21	134407900	Dampener, vibration
23 #	134435300	Wiring Harness, controls
* #	134436300	Wiring Harness, main
26	131205100	Screw, #8 pan head, 10-10B x 0.500, cr/sq drive
27	134443000	Panel, control console
28	131205300	Screw, 10-16 x 0.750
32	134371700	Hose, disp-to-bellows
33	131306215	Clamp
34	134446300	Clamp, hose, bellows
35	134371800	Gasket, disp hose seal
36 #	134371220	Valve, dispenser
36*	131311900	Screw, quadrex ph, 8-18AB x 0.500
37	134372300	Hose, disp-to-tub
38	134372400	Clamp, tub hose
39	134446110	Housing, dispenser, w/valve, cover
39*	134371300	Gasket, disp-to-valve
40	134372100	Tube, disp-to-overflow
41	134372200	O-ring, overflow tube
42	131168200	Screw, pan head, 8-18B x 0.31
44	134370200	Cover, disp drawer
45	134370000	Drawer, dispenser
46	134349500	Spring, door latch
47	134386500	Latch, disp drawer, slider lock
48	134453600	Handle, disp drawer, front
49	134386300	Frame, drawer handle
50	134370100	Conveyor, disp drawer, lower
51	131373800	Magnet

CABINET/TOP

CAUTION: Use the Kenmore part number to order part, not the illustration number.



P12V0066

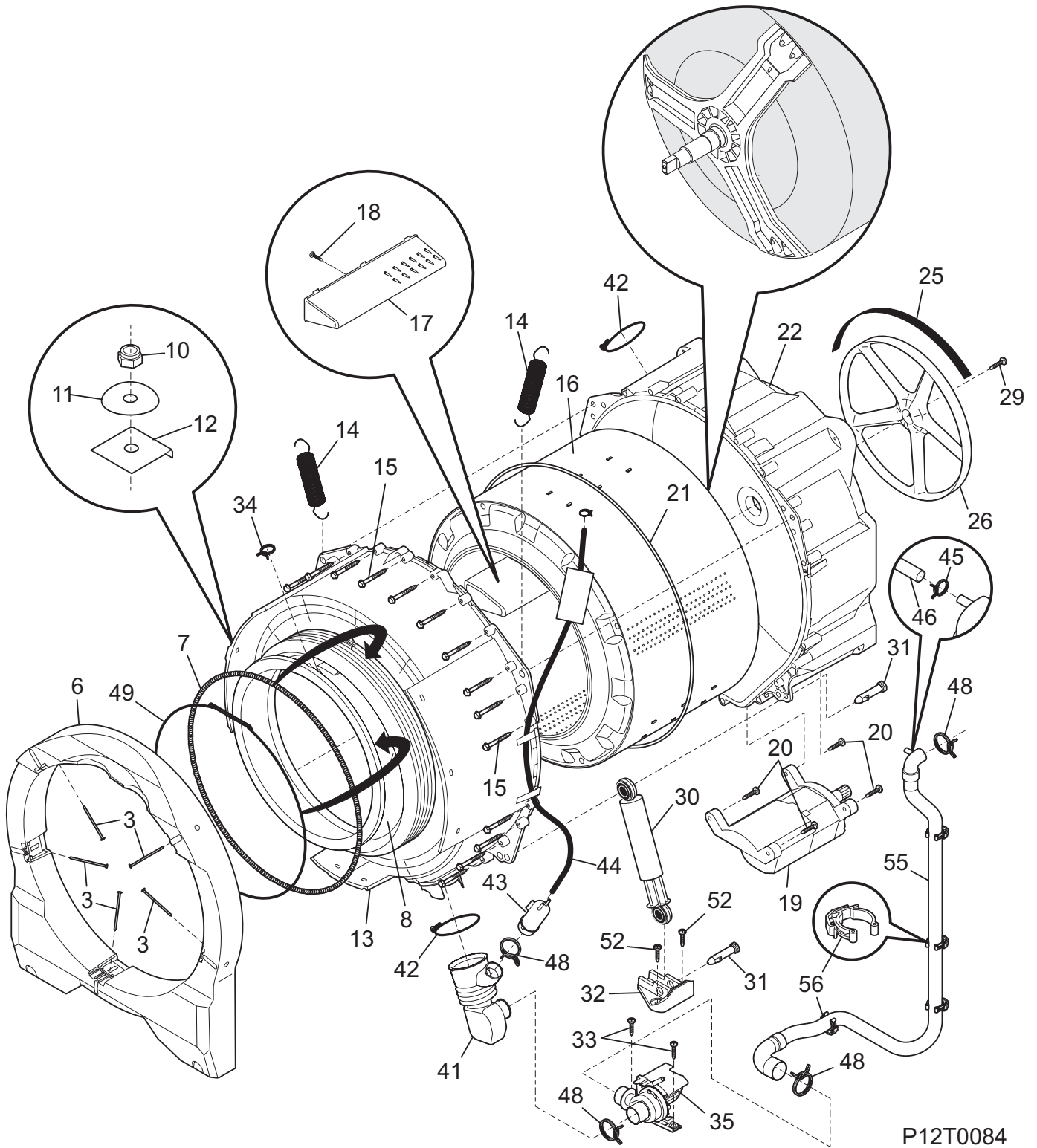
CABINET/TOP

CAUTION: Use the Kenmore part number to order part, not the illustration number.

POS. NO	PART NO.	DESCRIPTION
1	131279602	Hose, water inlet, cold
2	131168200	Screw, pan head, 8-18B x 0.31
3	131279603	Hose, water inlet, hot
4 #	134409900	Control Board, motor
4* #	134372800	Wiring Harness, motor control
8 #	131763200	Door Lock/Switch Assy
8* #	134367400	Wiring Harness, door switch
9	131303300	Screw, pan head, 10-16AB x 0.500, locking
10	134412103	Panel, outer door, white
11	134366400	Panel, door glass
12	134507300	Panel, inner door
13	131302901	Screw, 10-16 x 0.750
14	131763310	Striker, door/lock/sw
15	134412400	Hinge, door
16	131311900	Screw, quadrex ph, 8-18AB x 0.500
17	134408700	Clip, assembly
18	134321703	Panel, front service, white
19	131258400	Screw, 10-16AB x 0.500
20	134434901	Bracket, reinforcement, LH side panel
20*	134434900	Bracket, reinforcement, RH side panel
21	134424700	Screw, comb flat head, 8-18AB x 0.75
22	134364700	Retainer, spring steel
23	134509300	Screw, flat head, 10-14 x 0.75, quadrex
24	134365000	Panel, work top, white
26	134435400	Screw, hex head, M5 x 12 mm
27	134408800	Bumper, rubber
28	134364300	Panel, service access, rear
29	134363300	Panel, cabinet front, white
31 #	134100800	Power Cord, electric svce
32	5303209428	Bushing, power cord
35	134365100	Bracket, top support, rear
36	134363900	Leveling Leg, screw
38	134363800	Bushing, leveling leg
39	134364100	Washer, spring lock
40	134364000	Nut, leveling leg
42	134156200	Screw, flat head, 8-18AB x 0.44, quad drive
45 #	134369400	Hose, drain, external
46	134412600	Handle, door
48	134507400	Adapter, door glass ring
50	134364600	Bracket, tub suspension
52	131931201	Dampener, vibration, 3.5 x 2 x 2 in., foam
54	134364900	Fastener, wire harn clip
60	134372000	Grommet, dispenser, back panel
*	134511500	Shipping Support Kit

MOTOR/TUB

CAUTION: Use the Kenmore part number to order part, not the illustration number.



P12T0084

MOTOR/TUB

CAUTION: Use the Kenmore part number to order part, not the illustration number.

POS. NO	PART NO.	DESCRIPTION
3	131793303	Bolt, carriage, 1/4-20 x 2.60
6	134362200	Counterweight, front, one piece
7	134365300	Spring, bellows clamp, boot retainer
8	134365200	Bellows, door boot
10	131304700	Nut, hex, 1/4-20 UNC-2B
11	131276900	Washer, Bellville, spring steel
12	134430600	Plate, counterweight
13	134362000	Shell, tub, front
14 #	134362800	Spring Assy, suspension
15	134408300	Screw, hex head, 6.5 x 51 mm
16	134360900	Drum Assy, spin basket
17	134509600	Vane Kit, drum
18	131302800	Screw, vane mtg., 10-16AB x 0.375
19 #	134362500	Motor, 120 V
20	131303500	Screw, hex washer head, 12-14AB x 1.50, motor mtg.
21	134361900	O-ring, tub
22	134509500	Shell, outer tub, rear, w/bearing, seal
25	134051001	Belt, drive, elastic poly-V
26 #	134362600	Pulley, drum drive, large, rear
29	134408400	Screw, 10.9 class, M10 x 25 mm
30	131268200	Shock Absorber, air, stabilizer
31	131268300	Pin, shock mtg.
32	134363200	Bracket, shock mtg.
33	134160900	Screw, quadrex, 10-16AB X 0.750
34	134446300	Clamp, hose, bellows
35 #	134051200	Pump, drain
41	134455900	Hose, drain, tub-to-pump
42	131333101	Clamp
43	134369900	Chamber, air
44	134369000	Hose, air pressure
45	131306202	Clamp, hose
46	134436100	Syphon/Braker Assy, hose, with clamp
48	131306234	Clamp, pump to trap
49	134365400	Clamp, bellows, spring held
52	131202300	Screw, 10-16AB x 0.625
55	134458300	Hose, internal drain
56	134369800	Fastener, hose clip
*	134454200	Use & Care Guide
*	134472600	Instructions, installation
*	134437000	Instructions, operating
*	134474000	Technical Data Sheet, wiring diagram
*	5995422929	Repair Parts List
*	134454900	Energy Guide

WIRING DIAGRAM

WARNING TO REDUCE THE RISK OF ELECTRICAL SHOCK DISCONNECT THIS APPLIANCE FROM THE POWER SUPPLY BEFORE ATTEMPTING ANY USER MAINTENANCE. TURNING THE CONTROLS TO THE OFF POSITION DOES NOT DISCONNECT THIS APPLIANCE FROM THE POWER SUPPLY.

AVERTISSEMENT POUR RÉDUIRE LE RISQUE DE CHOC ÉLECTRIQUE, DÉBRANCHER CET APPAREIL DE L'ALIMENTATION AVANT DE PROCÉDER À L'ENTRETIEN. EN TOURNANT LES COMMANDES À LA POSITION ARRÊT, L'ON NE COUPE PAS L'ALIMENTATION ÉLECTRIQUE DE L'APPAREIL.

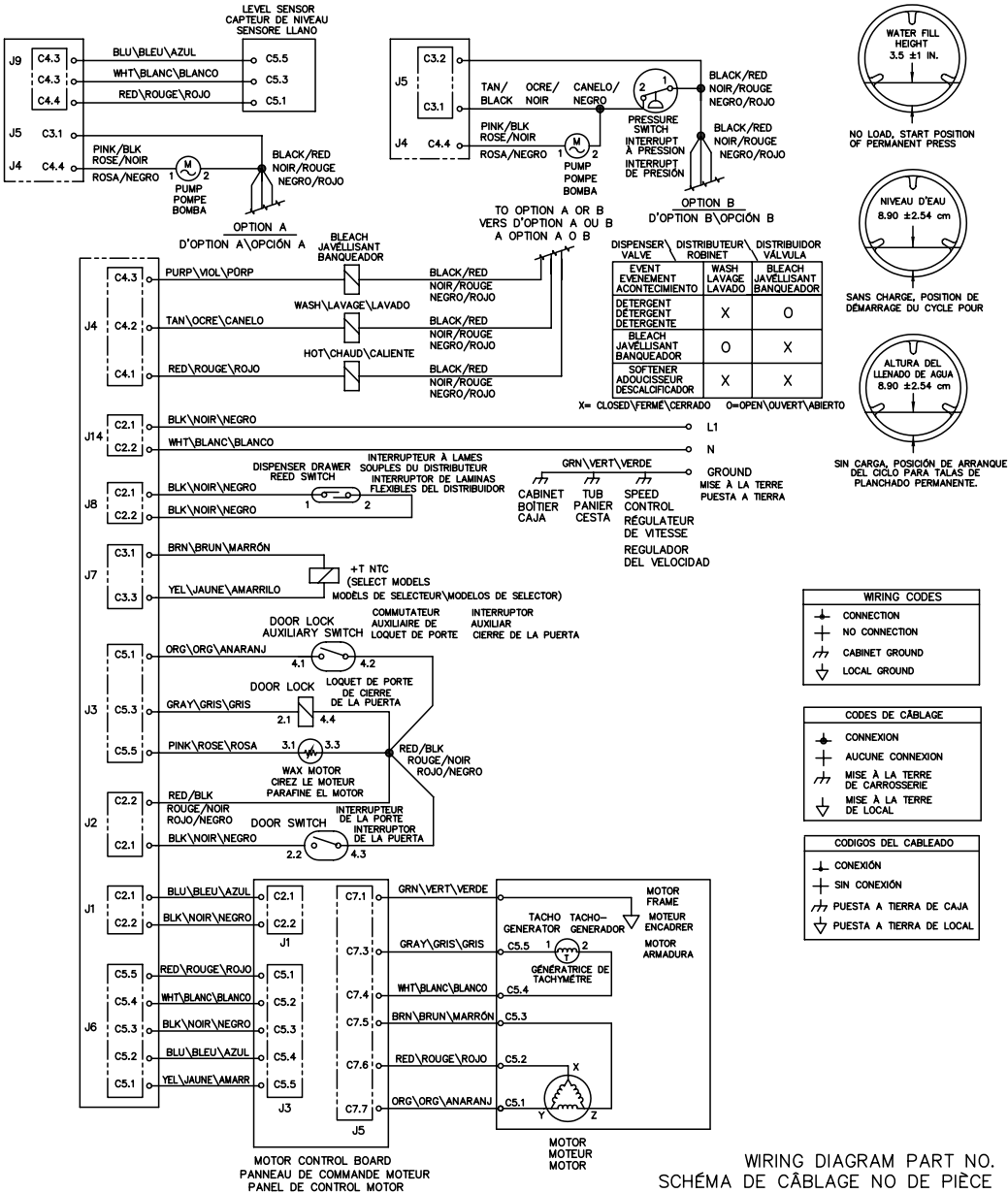
ADVERTENCIA PARA REDUCIR EL RIESGO DE CHOCOS ELÉCTRICOS, DESENCHUFE ESTE APARATO DE LA ALIMENTACIÓN ELÉCTRICA ANTES DE EFECTUAR EL MANTENIMIENTO. AL GIRAR LOS CONTROLES A LA POSICIÓN OFF (ARREGLADO) NO SE CORTA LA ALIMENTACIÓN ELÉCTRICA AL ARTEFACTO.

COMPONENT RESISTANCE TABLE		
ELECTRICAL COMPONENT	RESISTANCE Ω @ 77°F (25°C)	
DOOR LOCK SOLENOID	1325 ±10%	
PUMP MOTOR	12.0 ±7%	
DISPENSER VALVE SOLENOIDS	800 ±7%	
MOTOR	M1 TO M2	5.3 ±7%
	M2 TO M3	5.3 ±7%
	M1 TO M3	5.3 ±7%
	M5 TO M6	118 ±7%

TABLEAU DE RESISTANCE DES COMPOSANTS		
COMPOSANT ÉLECTRIQUE	RÉSISTANCE Ω @ 77°F (25°C)	
SOLENOÏDE DU LOQUET DE PORTE	1325 ±10%	
MOTEUR DE POMPE	12.0 ±7%	
SOLENOÏDE DU ROBINET DISTRIBUTEUR	800 ±7%	
MOTEUR	M1 VERS M2	5.3 ±7%
	M2 VERS M3	5.3 ±7%
	M1 VERS M3	5.3 ±7%
	M5 VERS M6	118 ±7%

TABLA DE RESISTENCIA DE LOS COMPONENTES		
COMPONENTE ELÉCTRICO	RESISTENCIA Ω @ 77°F (25°C)	
SOLENOIDE DE CIERRE DE LA PUERTA	1325 ±10%	
BOMBA DE MOTOR	12.0 ±7%	
SOLENOIDE DE LA VÁLVULA DEL DISTRIBUIDOR	800 ±7%	
MOTOR	M1 A M2	5.3 ±7%
	M2 A M3	5.3 ±7%
	M1 A M3	5.3 ±7%
	M5 A M6	118 ±7%

SELECT MODELS/MODELS DE SELECTEUR/MODELOS DE SELECTOR



WIRING DIAGRAM PART NO. 134474000
 SCHÉMA DE CÂBLAGE NO DE PIÈCE
 DIAGRAMA DE CONEXIONES NO DE PIEZA

Get it fixed, at your home or ours!

Your Home

For repair – **in your home** – of **all** major brand appliances, lawn and garden equipment, or heating and cooling systems, **no matter who made it, no matter who sold it!**

For the replacement parts, accessories and owner's manuals that you need to do-it-yourself.

For Sears professional installation of home appliances and items like garage door openers and water heaters.

1-800-4-MY-HOME® (1-800-469-4663)

Call anytime, day or night (U.S.A. and Canada)

www.sears.com www.sears.ca

Our Home

For repair of carry-in items like vacuums, lawn equipment, and electronics, call or go on-line for the location of your nearest **Sears Parts & Repair Center.**

1-800-488-1222

Call anytime, day or night (U.S.A. only)

www.sears.com

To purchase a protection agreement (U.S.A.) or maintenance agreement (Canada) on a product serviced by Sears:

1-800-827-6655 (U.S.A.)

1-800-361-6665 (Canada)

Para pedir servicio de reparación a domicilio, y para ordenar piezas:

1-888-SU-HOGARSM

(1-888-784-6427)

Au Canada pour service en français:

1-800-LE-FOYER^{MC}

(1-800-533-6937)

www.sears.ca



® Registered Trademark / ™ Trademark / ™ Service Mark of Sears, Roebuck and Co.

® Marca Registrada / ™ Marca de Fábrica / ™ Marca de Servicio de Sears, Roebuck and Co.

MC Marque de commerce / MD Marque déposée de Sears, Roebuck and Co.

© Sears, Roebuck and Co.