

Combat®

UHA-Series Tubular Unit Heaters (Standard Range) Installation, Operation & Service Manual

Models UHA[S]
150, 175, 200, 225
250, 300, 350, 400



FOR YOUR SAFETY

If you smell gas:

1. Open windows.
2. **DO NOT** try to light any appliance.
3. **DO NOT** use electrical switches.
4. **DO NOT** use any telephone in your building.
5. Leave the building.
6. Immediately call your local gas supplier after leaving the building. Follow the gas supplier's instructions.
7. If you cannot reach your gas supplier, call the Fire Department.

WARNING



Fire Hazard

Do not store or use gasoline or other flammable vapors and liquids in the vicinity of this or any other appliance.

Some objects will catch fire or explode when placed close to heater.

Failure to follow these instructions can result in death, injury or property damage.

WARNING

Improper installation, adjustment, alteration, service or maintenance can result in death, injury or property damage. Read the Installation, Operation and Service Manual thoroughly before installing or servicing this equipment.

Installation must be done by a contractor qualified in the installation and service of gas-fired heating equipment or your gas supplier.

Installer

Please take the time to read and understand these instructions prior to any installation. Installer must give a copy of this manual to the owner.

Owner

Keep this manual in a safe place in order to provide your serviceman with necessary information.



Roberts-Gordon, LLC

1250 William Street
P.O. Box 44
Buffalo, New York 14240-0044
Telephone: 716.852.4400
Fax: 716.852.0854
Toll Free: 800.828.7450

www.rg-inc.com

TABLE OF CONTENTS

SECTION 1: Heater Safety	1	SECTION 11: User Instructions	22
1.1 Manpower Requirements	1	11.1 User Instructions	22
SECTION 2: Installer Responsibility	2	11.2 Heater Operation	22
2.1 Wall Tag	2	11.3 Common User Controls.....	22
2.2 Corrosive Chemicals.....	2	11.4 Lighting Instructions.....	22
2.3 National Standards and Applicable Codes	2	11.5 Simple Troubleshooting.....	22
SECTION 3: Critical Considerations	3	SECTION 12: Servicing	24
3.1 Basic Information	3	12.1 Servicing Instructions.....	24
3.2 Location and Suspension	3	12.2 Burner Maintenance.....	24
3.3 Minimum Required Installation Clearances	3	12.3 Fan/Motor Assembly Maintenance.....	24
3.4 Clearances to Combustibles	3	12.4 Heat Exchanger Maintenance.....	24
3.5 Ventilation	3	12.5 Gas Valve Maintenance	24
3.6 Gas Supply	3	12.6 Combustion Fan	24
3.7 Electrical Supply	3	12.7 Venting and Air Intake Pipe	24
3.8 Vent.....	3	12.8 Maintenance Checklist	25
3.9 Separated Combustion Installation.....	3	SECTION 13: Troubleshooting	27
SECTION 4: National Standards and Applicable Codes	5	13.1 General	27
4.1 Gas Codes.....	5	13.2 Troubleshooting For Automatic Ignition Burner Systems.....	28
4.2 Aircraft Hangars	5	13.3 Troubleshooting for Flame Supervision System	29
4.3 Parking Structures and Repair Garages	5	13.4 Troubleshooting for Gas Valves.....	30
4.4 Electrical	5	13.5 Troubleshooting for Combustion Fan.....	30
4.5 Venting.....	5	SECTION 14: Replacement Parts	31
4.6 High Altitude	5	14.1 Gas Valve	31
SECTION 5: Major Components	6	14.2 Burner Compartment	32
5.1 General	6	14.3 Ignition Electrode and Flame Probe	33
5.2 Suspension	6	14.4 Combustion Fan Vertical Installation	34
SECTION 6: Venting	7	14.5 Pressure Switch.....	35
6.1 Venting.....	7	14.6 Ignition Control	36
6.2 Vent Installation	7	14.7 Axial Fan/Guard/Motor Assembly.....	36
6.3 Unvented Operation.....	8	14.8 Limit Switches	36
6.4 Horizontal Venting.....	8	SECTION 15: Specifications	37
6.5 Vertical Venting.....	8	15.1 Standard (Models 150 - 400) UHA(S) Series Dimension Data	37
6.6 Length Requirements	8	15.2 General Technical Data Table (All Models)	38
6.7 Vent Material.....	9	15.3 Technical Data Table (All Models)	38
SECTION 7: Air Supply	13	SECTION 16: The ROBERTS GORDON® COMBAT® UHA-Series Warranty	39
7.1 Separated Combustion Installation.....	13		
7.2 Unvented Installation	13		
7.3 Building Ventilation	13		
7.4 Outside Combustion Air Supply.....	13		
SECTION 8: Gas Piping	14		
8.1 Connections.....	14		
SECTION 9: Wiring	15		
9.1 Positioning Thermostats	15		
9.2 Low Voltage Thermostat with One Heater	15		
9.3 UHA(S) Series Internal Wiring Diagram	16		
9.4 UHA(S) Series Ladder Wiring Diagram	17		
9.5 Electrical Connection to the Heater	18		
SECTION 10: Operation and Maintenance	19		
10.1 Pre-Start-Up Checks	19		
10.2 Begin Start-Up	19		
10.3 Complete the Start-Up	21		

© 2007 Roberts-Gordon, LLC

All rights reserved. No part of this work covered by the copyrights herein may be reproduced or copied in any form or by any means - graphic, electronic, or mechanical, including photocopying, recording, taping or information storage and retrieval systems - without the written permission of Roberts-Gordon, LLC.

Printed in U.S.A.

TABLE OF FIGURES

Figure 1: Installation Clearances and Clearances to Combustibles	4
Figure 2: Suspension Methods	6
Figure 3: Vent and Roof Detail	9
Figure 4: Standard Vented Heater - Vertical and Horizontal Vent Termination	9
Figure 5: Standard Vented Heater - Common Vertical Vent Termination.....	10
Figure 6: Separated Combustion Heater - Vertical and Horizontal Vent Termination	11
Figure 7: Concentric Vent Box	11
Figure 8: Concentric Vertical and Horizontal Vent Termination - Separated Combustion Heater.....	12
Figure 9: Gas Connection	14
Figure 10: Automatic Burner Control Sequence.....	20
Figure 11: Gas Valve for Models UHA(S) 150 - 400	20
Figure 12: LED Diagnostic Codes	22

SECTION 1: HEATER SAFETY

Your Safety is Important to Us!
This symbol is used throughout the manual to notify you of possible fire, electrical or burn hazards. Please pay special attention when reading and following the warnings in these sections.

Installation, Service and Annual Inspection of heater must be done by a contractor qualified in the installation and service of gas-fired heating equipment.

Read this manual carefully before installation, operation or service of this equipment.

Heaters are not approved for residential installation. These instructions, the layout drawing, local codes and ordinances and applicable standards that apply to gas piping, electrical wiring, venting, etc. must be thoroughly understood before proceeding with the installation.

Thin sheet metal parts, including the various venting components, have sharp edges. To prevent injury, the use of work gloves is recommended.

Before installation, check that the local distribution conditions, nature of gas and pressure and adjustment of the appliance are compatible.

1.1 Manpower Requirements

To prevent personal injury and damage to the heater, two persons will be required for installation.

SECTION 2: INSTALLER RESPONSIBILITY

The installer is responsible for the following:

- To install the heater, as well as the gas and electrical supplies, in accordance with applicable specifications and codes. Roberts-Gordon recommends the installer contact a Local Building Inspector or Fire Marshal for guidance.
- To use the information given in a layout drawing and in the manual together with the cited codes and regulations to perform the installation.
- To install the heater in accordance with the clearances to combustibles.
- To furnish all needed materials not furnished as standard equipment.
- To plan location of supports, vents and air intakes.
- To provide access for servicing.
- To provide the owner with a copy of this Installation, Operation and Service Manual.
- To never use heater as support for a ladder or other access equipment and never hang or suspend anything from heater.
- To ensure there is adequate air circulation around the heater and to supply air for combustion, ventilation and distribution in accordance with local codes.

2.1 Wall Tag

A laminated wall tag is included with the heater as a permanent reminder of the safety instructions and the importance of the required clearances to combustibles. Affix the tag by peeling off the backing of the adhesive strips on the rear surface and position the tag on a wall near the heater.

A copy of the wall tag (P/N 91040031) is illustrated on the back cover.

Know your model number. Model number is found on the heater and in the Installation, Operation and Service Manual. See Page 9, Figure 3 through Page 14, Figure 9.

2.2 Corrosive Chemicals

⚠ CAUTION

Do not use heater in an area containing corrosive chemicals.

Avoid the use of corrosive chemicals to ensure a longer life of the burner, heat exchanger and other parts.

Failure to follow these instructions can result in property damage.

Roberts-Gordon cannot be responsible for ensuring that all appropriate safety measures are undertaken prior to installation; this is entirely the responsibility of the installer. It is essential that the contractor, the sub-contractor, or the owner identifies the presence of combustible materials, corrosive chemicals or halogenated hydrocarbons* anywhere in the premises.

** **Halogenated Hydrocarbons** are a family of chemical compounds characterized by the presence of halogen elements (fluorine, chlorine, bromine, etc.). These compounds are frequently used in refrigerants, cleaning agents, solvents, etc. If these compounds enter the air supply of the burner, the life span of the heater components will be greatly reduced. An outside air supply must be provided to the burners whenever the presence of these compounds is suspected. Warranty will be invalid if the heater is exposed to halogenated hydrocarbons.*

2.3 National Standards and Applicable Codes

All appliances must be installed in accordance with the latest revision of the applicable standards and national codes. This refers also to the electric, gas and venting installation. Note: Additional standards for installations in public garages, aircraft hangars, etc. may be applicable.

SECTION 3: CRITICAL CONSIDERATIONS

3.1 Basic Information

UHA(S) heaters have automatic ignition burners for ON/OFF operation only.

3.2 Location and Suspension

All models:

- Must be installed indoors.
- Must be installed in a level position with horizontal discharge.
- May be mounted on a shelf of non-combustible material.
- May be suspended from above (*See Page 6, Figure 2*) or from wall brackets of sufficient strength to support the heater as listed in the Dimension Data Table on *Page 37, Section 15.1*. Drop rods must be a minimum of 3/8" diameter mild steel. Four suspension points (3/8" nuts) are located on top of the heater.
- Must be installed in a manner which allows access to all serviceable components. *See Page 4, Figure 1* for details.

3.3 Minimum Required Installation Clearances

Clearances around the heater and vent must be as indicated on *Page 4, Figure 1; Page 9, Figure 3 through Page 12, Figure 8* to ensure access for servicing, and correct operation.

3.4 Clearances to Combustibles

Clearances must be as indicated on *Page 4, Figure 1*. If clearances to combustibles are not indicated, then installation clearances apply.

3.5 Ventilation

It is important to ensure that there is adequate air space around the heater to supply air for combustion, ventilation and distribution in accordance with local and national codes.

3.6 Gas Supply

It is important that the gas supply pipe is sized correctly to provide the inlet pressure as stated on the heater data plate. The gas supply pipe and electrical connections must not support any of the heater's weight.

3.7 Electrical Supply

A permanent 120 V 60 Hz 1 Ø electrical supply is required for the main electrical power. The heater also requires suitable controls in accordance with *Section 9*.

3.8 Vent

Choose heater orientation to allow for the proper location of the vent. Each heater must be fitted with a correctly sized sealed vent system.


If vented horizontally, no other appliance may be connected to the vent. *See Page 7, Section 6*.

3.9 Separated Combustion Installation

For separated combustion installation, the vent and air intake must be fitted with an individual and correctly sized sealed system and the vent and air intake must terminate at approved wall and roof terminals.

Separated combustion units may not be common vented. *See Page 7, Section 6*.

⚠ WARNING



Fire Hazard

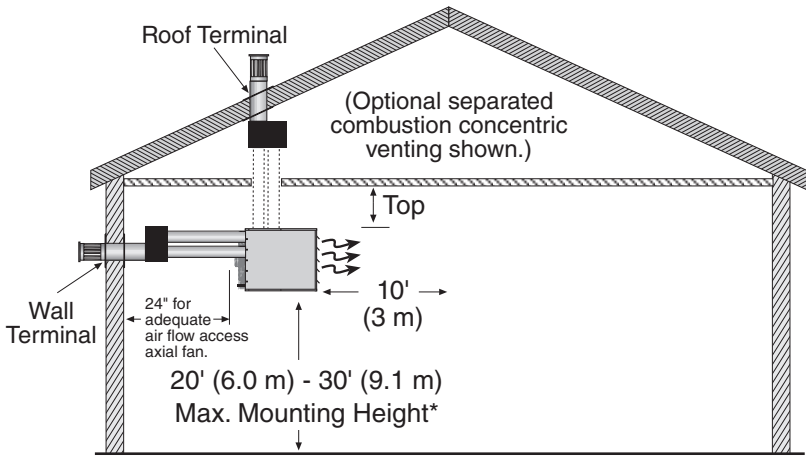
Some objects will catch fire or explode when placed close to heater.

Keep all flammable objects, liquids and vapors the required clearances to combustibles away from heater.

Failure to follow these instructions can result in death, injury or property damage.

Figure 1: Installation Clearances and Clearances to Combustibles

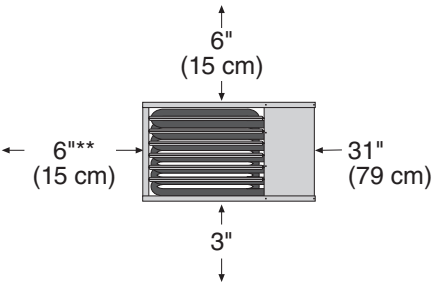
Installation Clearances



* Recommended mounting height varies with heater input. Heaters may be mounted at a higher level if destratification fans are installed.

Note: Venting directly from top of heater not applicable on Models 150 - 400.

Clearances to Combustibles



Clearance to Vent: 2" (5 cm)

**31" (79 cm) minimum is necessary for servicing.

The heater must always be installed at least 6' (2 m) above the floor.

The vent pipe must have clearance from combustibles by 2" (5 cm).

If installed at low levels where individuals can come in contact with hot heat exchanger components, adequate guarding must be provided.

SECTION 4: NATIONAL STANDARDS AND APPLICABLE CODES

4.1 Gas Codes

The type of gas appearing on the nameplate must be the type of gas used. Installation must comply with national and local codes and requirements of the local gas company.

United States: Refer to NFPA 54/ANSI Z223.1 - latest revision, National Fuel Gas Code.

Canada: Refer to CSA B149.1 Natural Gas and Propane Installation Code.

4.2 Aircraft Hangars

Installation in aircraft hangars must be in accordance with the following codes:

United States: Refer to Standard for Aircraft Hangars, NFPA 409 - latest revision.

Canada: Refer to Standard CSA B149.1 Natural Gas and Propane Installation Code.

- In aircraft storage and servicing areas, heaters shall be installed at least 10' (3 m) above the upper surface of wings or of engine enclosures of the highest aircraft which may be housed in the hangar. The measurement shall be made from the wing or engine enclosure (whichever is higher from the floor) to the bottom of the heater.
- In shops, offices and other sections of aircraft hangars communicating with aircraft storage or servicing areas, heaters shall be installed not less than 8' (2.4 m) above the floor.
- Suspended or elevated heaters shall be so located in all spaces of aircraft hangars that they shall not be subject to injury by aircraft, cranes, movable scaffolding or other objects. Provisions shall be made to assure accessibility to suspended heaters for recurrent maintenance purposes.

4.3 Parking Structures and Repair Garages

Installation in garages must be in accordance with the following codes:

United States: Standard for Parking Structures NFPA 88A - latest revision or the Code for Motor Fuel Dispensing Facilities and Repair Garages, NFPA 30A - latest revision. Canada: Refer to CSA B149.1 Natural Gas and Propane Installation Code.

- In accordance with the Standard for Parking Structures NFPA 88A, heaters must be located a minimum of 18" (50 cm) below the floor-ceiling assembly or 18" (50 cm) above the floor.
- In accordance with the Code for Motor Fuel Dispensing Facilities and Repair Garages, NFPA 30A - latest revision, heaters must not be installed less than 8' (2.4 m) above the floor.

4.4 Electrical

The heater must be electrically grounded in accordance with the following codes:

United States: Refer to National Electrical Code®, NFPA 70 - latest revision. Wiring must conform to the most current National Electrical Code®, local ordinances and any special diagrams furnished.

Canada: Refer to Canadian Electrical Code, CSA C22.1 Part 1 - latest revision.

4.5 Venting

The venting must be installed in accordance with the requirements within this manual and the following codes:

United States: Refer to NFPA 54/ANSI Z223.1 - latest revision, National Fuel Gas Code.

Canada: Refer to CSA B149.1 Natural Gas and Propane Installation Code.

4.6 High Altitude


These heaters are approved for installations up to 2000' (610 m) (US), 4500' (1370 m) (Canada) without modification. Consult factory if US installation is above 2000' (610 m) or Canadian installation is above 4500' (1370 m).

SECTION 5: MAJOR COMPONENTS

5.1 General

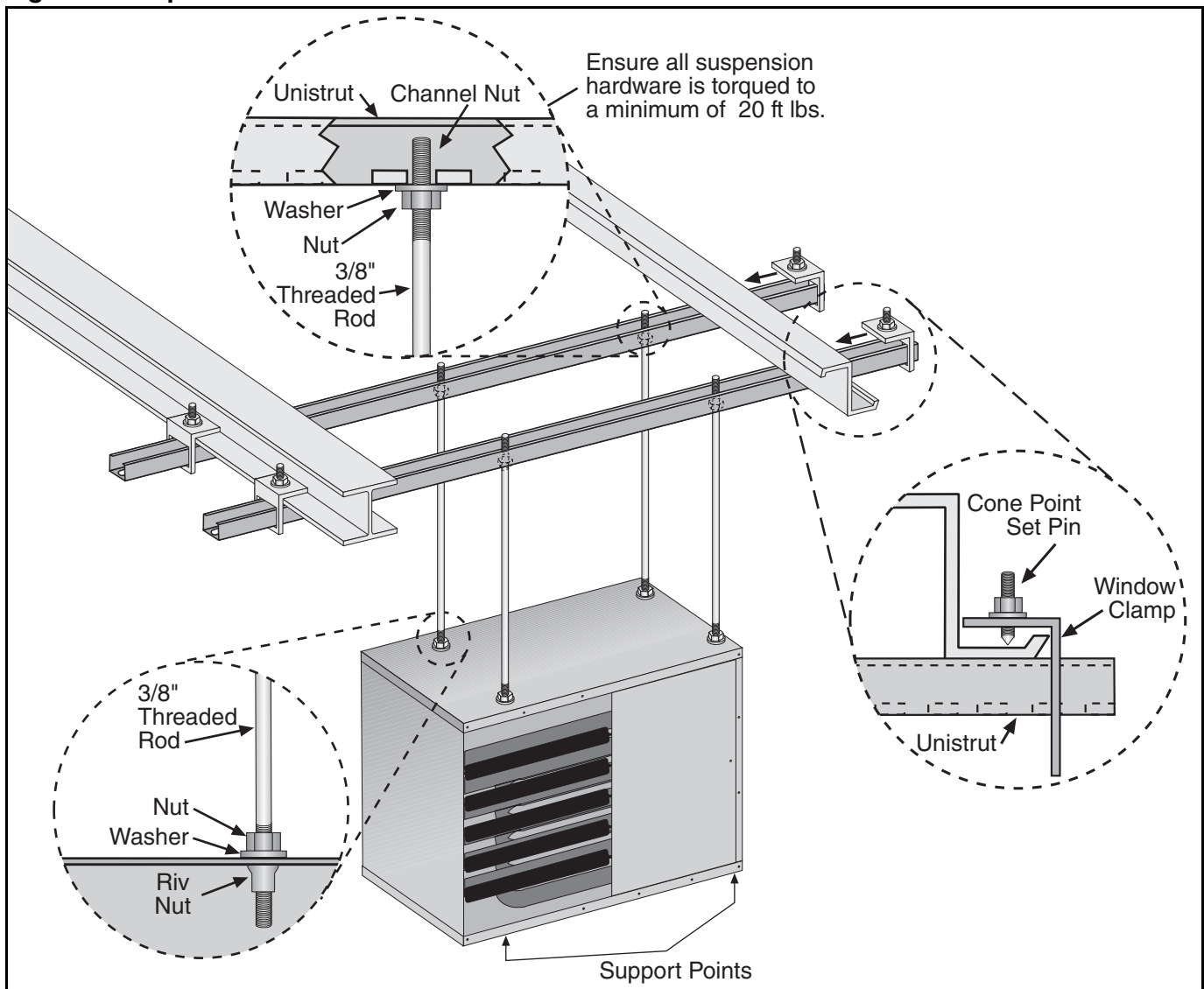
Heaters are designed for installation above 6' (1.8 m). These heaters must be installed within the heated space. Duct delivery systems are not permitted with axial fan units. When handling or supporting the heater from below, ensure that the weight is taken at the support points.

5.2 Suspension

⚠ WARNING	
	Crush Hazard
	Use 3/8" threaded rod minimum.
	Failure of the supports can result in death, injury or property damage.

For typical suspension, See Page 6, Figure 2.

Figure 2: Suspension Methods



SECTION 6: VENTING

6.1 Venting

This heater must be vented in accordance with the rules contained in this manual and with the following national codes and any state, provincial or local codes which may apply: **United States:** Refer to NFPA 54/ANSI Z223.1 - latest revision, National Fuel Gas Code; **Canada:** Refer to CSA B149.1 Natural Gas and Propane Installation Code. Any portion of vent pipe passing through a combustible wall must have an listed thimble to conform with the above codes.

The heater may be installed unvented in certain circumstances according to building ventilation codes. Refer to the above codes *and Page 8, Section 6.3* for further information. Unvented operation also requires compliance with the clearances to combustibles given *on Page 4, Figure 1*.

The bottom of the vent or air intake terminal shall not be located less than 1' (.3 m) above grade level.

The vent shall not terminate less than 7' (2.1 m) above grade where located adjacent to public walkways.

Vent terminal must be installed at a height sufficient to prevent blockage by snow and building materials protected from degradation by flue gasses.

Vent terminal must be beyond any combustible overhang.

Secure all joints with corrosion resistant #8 x 3/8" sheet metal screws.

For single wall venting, pressure sensitive aluminum tape or silicone sealant must be used to seal all joints.

Aluminum tape shall have a minimum temperature rating of 400° F (204° C) and meet SMACNA AFTS-100-73 standards. High temperature silicone sealant must have a minimum temperature rating of 480° F (250° C).

6.1.1 United States Requirements

Vent must terminate at least 3' (.9 m) above any forced air inlet located within 10' (3.1 m).

Vent must terminate at least 4' (1.2 m) below, 4' (1.2 m) horizontally from, or 1' (.3 m) above any door, operable window, or gravity air inlet into any building.

NFPA 54/ANSI Z223.1 - latest revision, National Fuel Gas Code specifies a 4' (1.2 m) horizontal vent terminal clearance from gas and electric meters, regulators and relief equipment.

6.1.2 Canadian Requirements

The vent shall not terminate within 6' (1.8 m) of a

mechanical air supply inlet to any building.

The vent shall not terminate within 3' (.9 m) of a window or door that can be opened in any building, any non-mechanical air supply inlet to any building, or of the combustion air inlet of any other appliance.

6.2 Vent Installation

 WARNING

Fire Hazard
<p>Some objects will catch fire or explode when placed close to heater.</p> <p>Keep all flammable objects, liquids and vapors the required clearances to combustibles away from heater.</p> <p>Failure to follow these instructions can result in death, injury or property damage.</p>

For vented units, the vent must terminate outside of the building.

Vents must be fully sealed and correctly sized for the model. If the vent passes through a wall or ceiling of combustible material, it must be enclosed by a listed thimble and be separated from the thimble by at least a 2" (5 cm) air gap.

For separated combustion models, vents and air intakes must be a fully sealed system and correctly sized for the model. Vent should be assembled as detailed *on Page 9, Figure 3 through Page 12, Figure 8*. The joints between the vent terminal and the roof or wall must be properly sealed. If the vent passes through a wall or ceiling of combustible material, it must be enclosed by a listed thimble and be separated from the thimble by at least a 2" (5 cm) air gap.

Vents and air intakes must be adequately supported so that the heater does not bear the weight of the pipes.

For vent termination See *Page 9, Figure 3 through Page 12, Figure 8*.



6.2.1 Standard Vented Heaters (Models UHA 150 - 400)

The vent must be fitted with a low resistance terminal. See *Page 9, Figure 3 through Page 9, Figure 4*. Standard vented heaters do not allow outdoor air intake for combustion air.

6.2.2 Separated Combustion Heaters (Models UHAS 150 - 400)

The heaters are designed to be installed as separated combustion heaters. The vent and air intake are run as separate pipes to the wall or roof terminals. See Page 12, Figure 8. As an option, the vent and air intake are run as separate pipes to a concentric vent box and a concentric vent/air intake pipe penetrates the wall or roof.

6.3 Unvented Operation

 WARNING	
	Carbon Monoxide Hazard Heaters installed unvented must be interlocked with sufficient building exhaust.
	Heaters must be installed according to the installation manual.
	Failure to follow these instructions can result in death or injury.

For unvented operation in commercial installations, sufficient ventilation must be provided in the amount of 4 cfm per 1000 Btu/h firing rate (United States); 3 cfm per 1000 Btu/h firing rate (Canada).

WARNING: Combustion by-products contain a chemical known to the State of California to cause cancer and birth defects or other reproductive harm.

6.4 Horizontal Venting

Horizontally vented heaters must be individually vented.

Vent pipe must be sloped 1/4" (.6 cm) for every 1' (.3 m). For vent lengths greater than 5' (1.5 m), condensation will form. Insulation is recommended and condensation drains may be desired. For vents pitched up toward the vent terminal, place the condensation drain within 5' (1.5 m) of the heater.

In noncombustible walls only, vent terminal (P/N 02537801-1P) may be used.

For 4" (10 cm) vents in either combustible or noncombustible walls, use vent terminal (P/N 90502100) or equivalent insulated vent terminal. Follow the manufacturer's instructions for proper installation.

Instead of an insulated vent terminal, a listed thimble (with 2" air gap) may be used with a 4" vent cap (P/N 90502102).

6.5 Vertical Venting

Vertically vented heaters can be common vented (up to 4 heaters).

For vent lengths greater than 5' (1.5 m), condensation will form. Insulation is recommended and condensation drains may be desired. Vent from the rear of the heater cabinet then run the vent vertically and use a condensate drain at the bottom of the vertical vent.

Vent pipe must be sloped 1/4" (.6 cm) for every 1' (.3 m).

For 4" (10 cm), an approved vent cap (P/N 90502102) must be used.

For 6" (15 cm) common vent, an approved vent cap (P/N 90502103) must be used.

For common vertical venting of more than two heaters, See Page 10, Figure 5.

A vent shall not extend less than 2' (.6m) above the highest point where it passes through a flat roof of a building.

6.6 Length Requirements

If using vent lengths greater than 5' (1.5 m), condensation will form in the vent pipe. Insulation and additional sealing measures (high temperature silicone at all seams) are required.

The entire vent should be insulated with foil faced fiberglass insulation (1/2" thick, 1-1/2# density minimum).

Maximum Vent Lengths Table

Model UHA(S)	# of Elbows
150 - 400	
40 ft (12.2 m)	1
35 ft (10.7 m)	2
30 ft (9.1 m)	3
25 ft (7.6 m)	4
20 ft (6.1 m)	5

6.7 Vent Material

Vent material may be single wall 26 ga. (minimum) galvanized steel or equal thickness stainless steel. Completely seal all joints, refer to *Page 7, Section 6.2*.

If penetrating a combustible wall or roof, a listed thimble with 2" (5 cm) clearance must be used. Where local codes permit, a single section of type B-1 vent material may be used at the roof or wall penetration instead of a thimble. Ensure vent manufacturer's clearance from vent material is maintained. Seal annular space of the type B-1 vent as well as all joints in the remaining vent.

Figure 3: Vent and Roof Detail

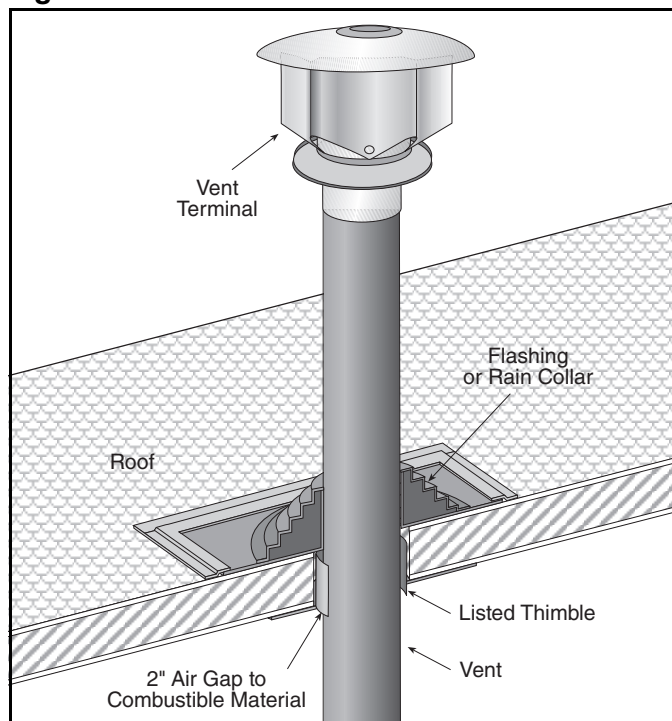
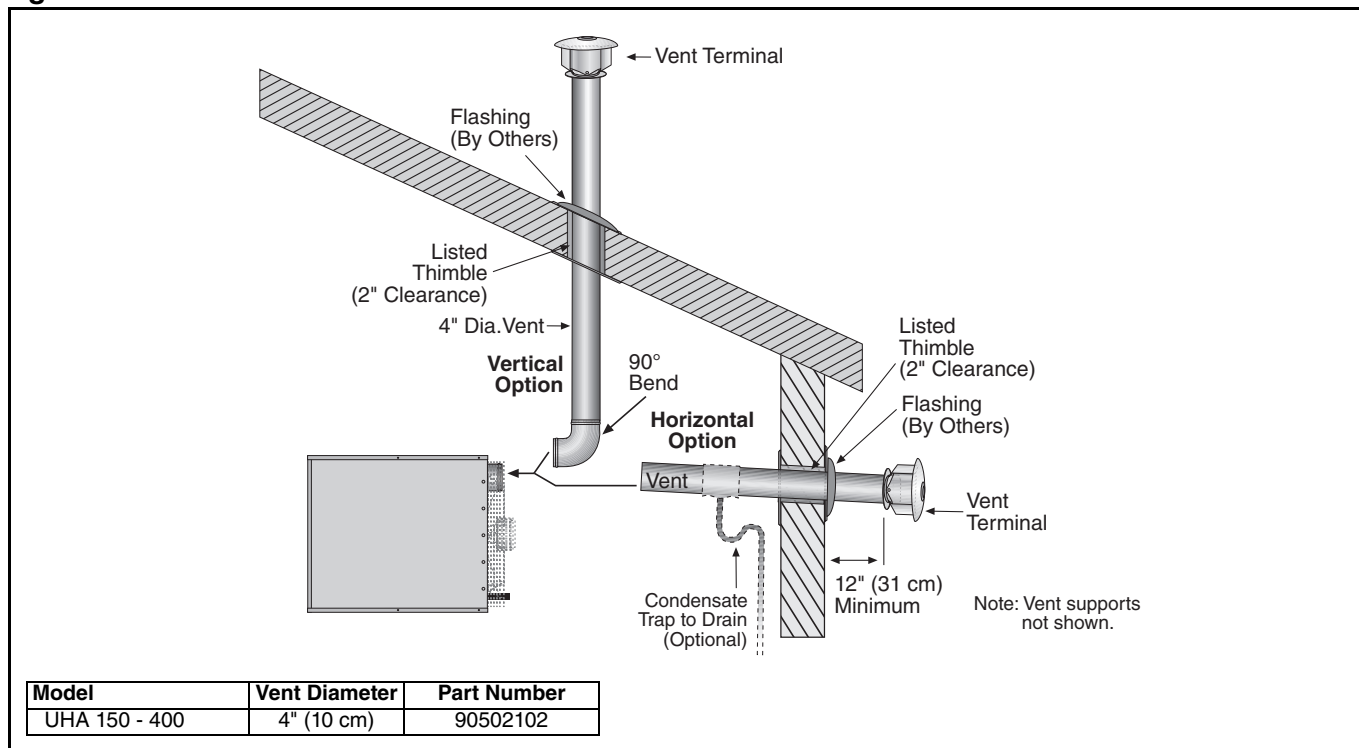


Figure 4: Standard Vented Heater - Vertical and Horizontal Vent Termination



Model	Vent Diameter	Part Number
UHA 150 - 400	4" (10 cm)	90502102

Figure 5: Standard Vented Heater - Common Vertical Vent Termination

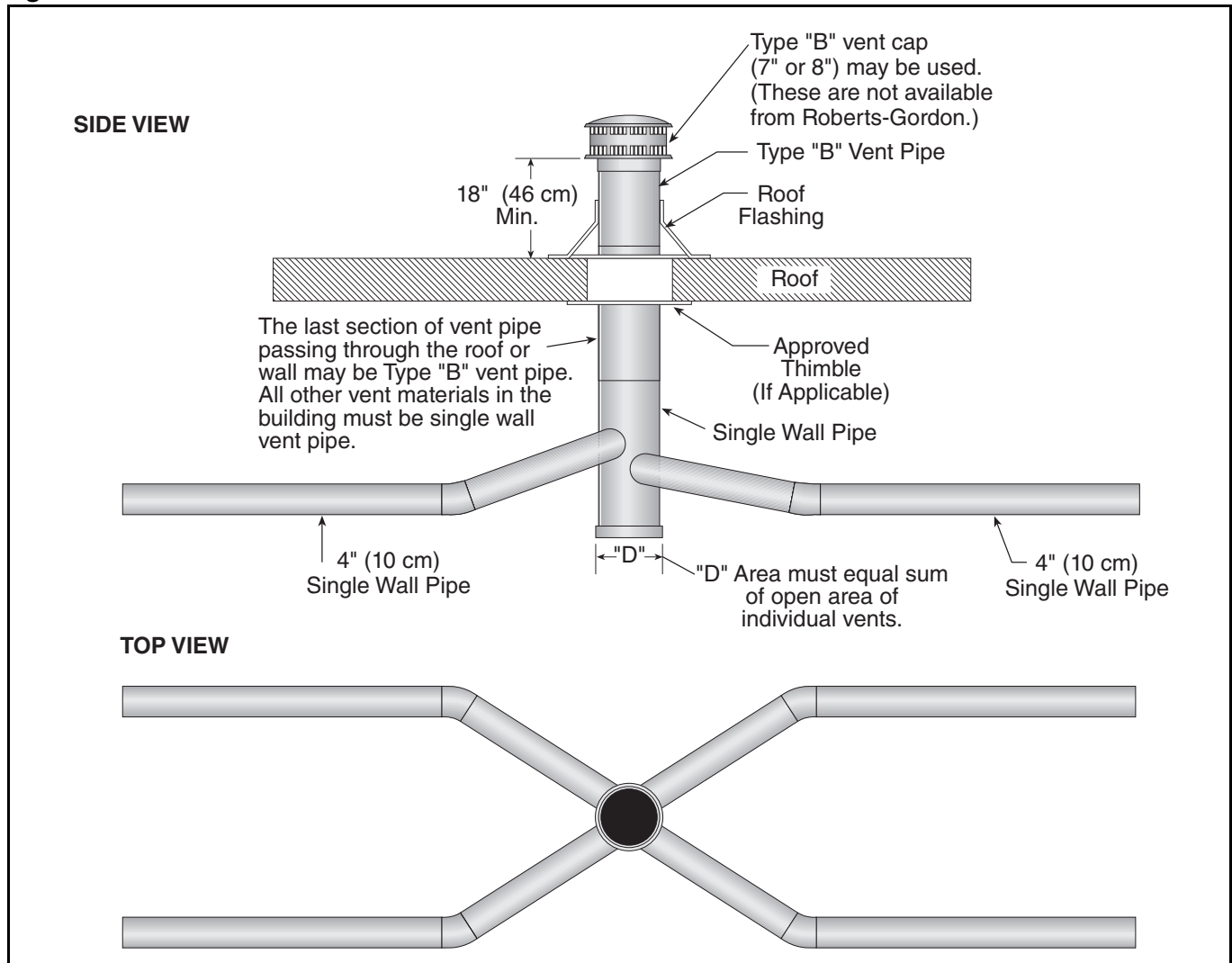


Figure 6: Separated Combustion Heater - Vertical and Horizontal Vent Termination

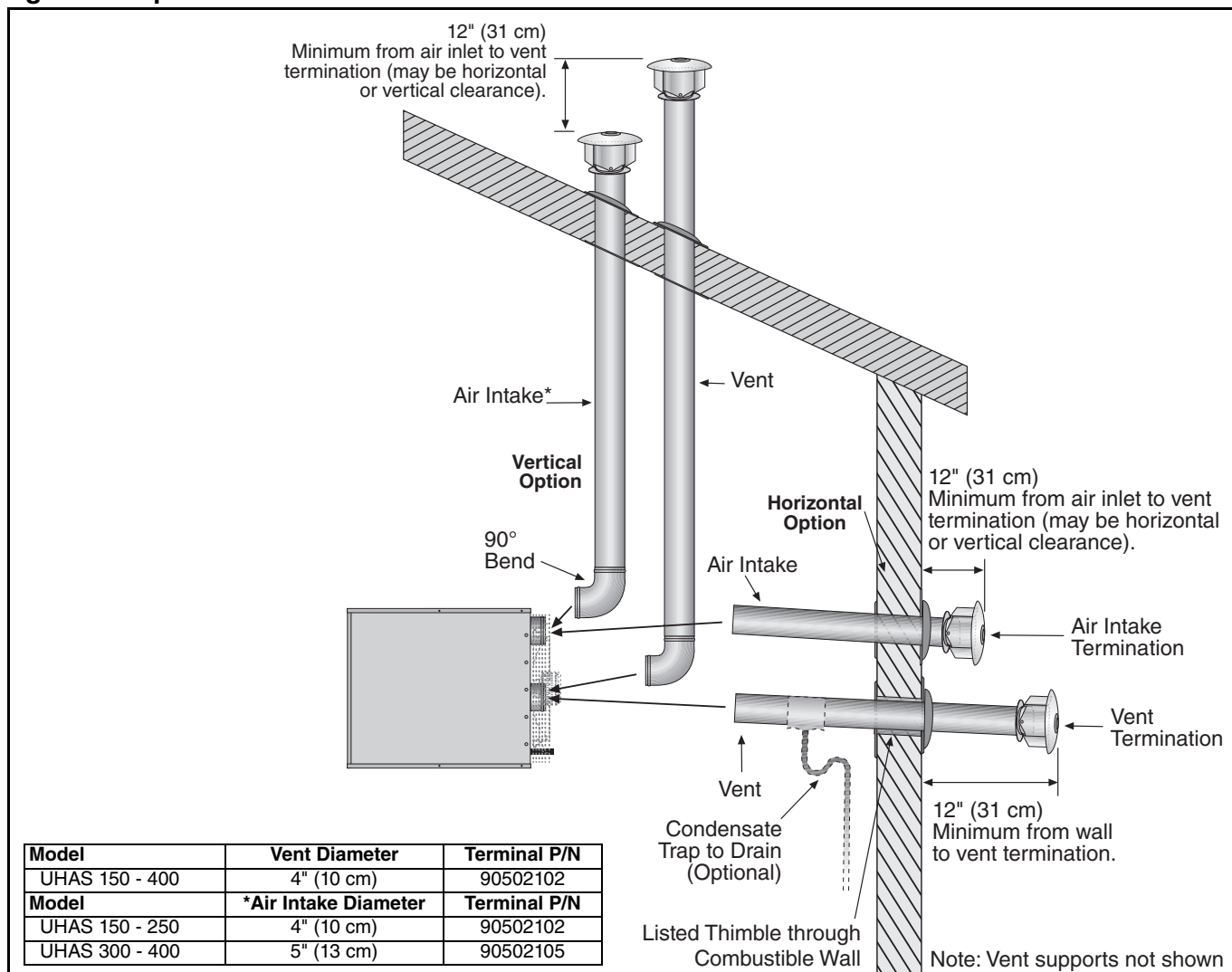


Figure 7: Concentric Vent Box

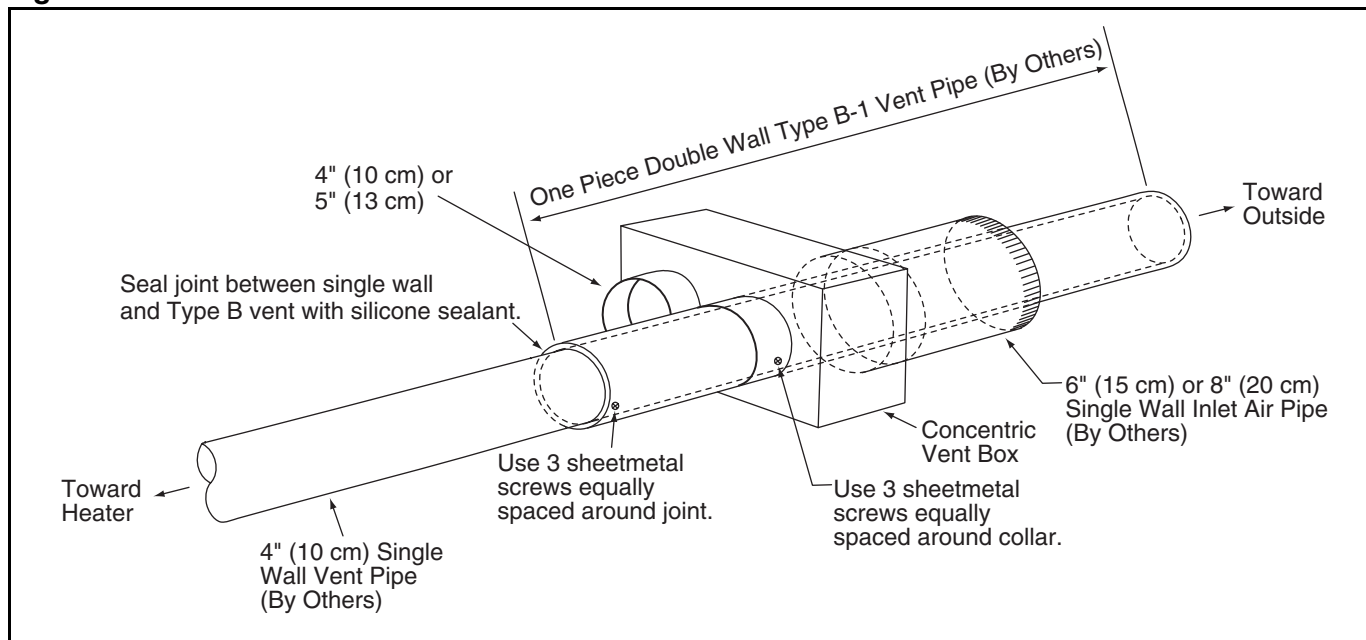
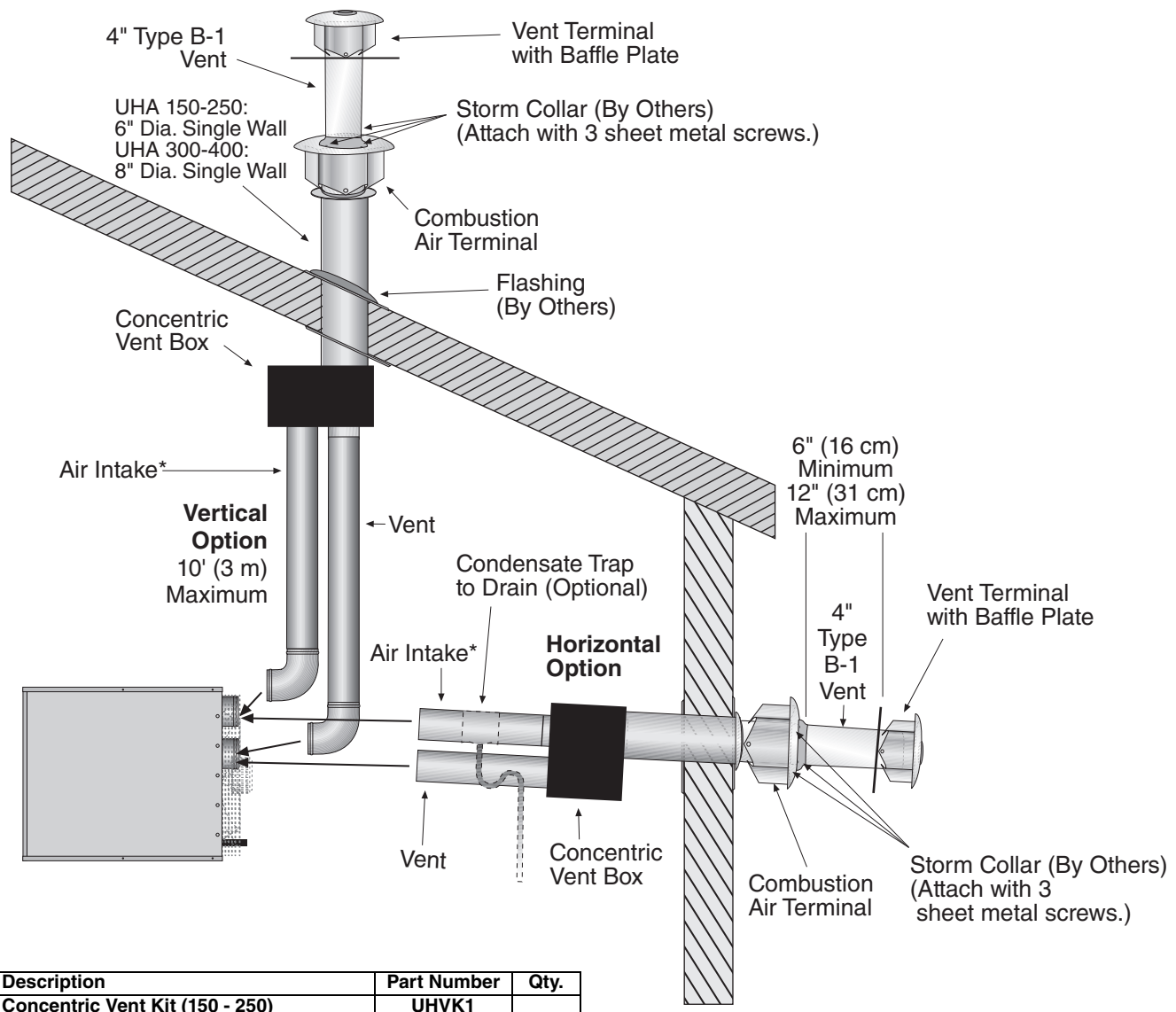


Figure 8: Concentric Vertical and Horizontal Vent Termination - Separated Combustion Heater



Description	Part Number	Qty.
Concentric Vent Kit (150 - 250)	UHVK1	
Concentric Vent Box Top & Side Assembly	90504113	1
Concentric Vent Box Bottom Assembly	90504112	1
Screw #6 x 3/8 Self Drilling	91119100	14
4" Vent Terminal with Baffle Plate	90502102R	1
6" Combustion Air Terminal	90502103	1

Description	Part Number	Qty.
Concentric Vent Kit (300 - 400)	UHVK2	
Concentric Vent Box Top & Side Assembly	90504013	1
Concentric Vent Box Bottom Assembly	90504012	1
Screw #6 x 3/8 Self Drilling	91119100	14
4" Vent Terminal with Baffle Plate	90502102R	1
8" Combustion Air Terminal	90502104	1

Model	Vent Diameter
UHAS 150 - 400	4" (10 cm)
Model	*Air Intake Diameter
UHAS 150 - 250	4" (10 cm)
UHAS 300 - 400	5" (13 cm)

SECTION 7: AIR SUPPLY

7.1 Separated Combustion Installation

When installed as a separated combustion heater, the air for combustion is drawn in from outside the building. It is important to ensure that there is adequate space around heater to provide air for the axial air distribution fan.

7.2 Unvented Installation

It is important to ensure that there is adequate fresh air supply at all times for both combustion and heating requirements in accordance with local and national codes.

WARNING: *Combustion by-products contain a chemical known to the State of California to cause cancer and birth defects or other reproductive harm.*

7.3 Building Ventilation

Where ventilation is required, air must be taken from an outside point where it is not likely to be contaminated or obstructed.

7.4 Outside Combustion Air Supply

If outside combustion air supply is required, separated combustion model (UHAS) heaters must be used.

IMPORTANT: If the building has a slight negative pressure or corrosive contaminants such as halogenated hydrocarbons are present in the air, an outside combustion air supply to the heater is required. Seal all combustion air pipe joints. The air supply duct may have to be insulated to prevent condensation on the outer surface. The outside air terminal must not be more than 1' (31 cm) above the vent terminal.

7.4.1 Length Requirements

Follow the constraints listed on *Page 8, Section 6.6*.

SECTION 8: GAS PIPING

⚠ WARNING



Fire Hazard

Connect gas supply according to Figure 9.

Gas can leak if not installed properly.

Failure to follow these instructions can result in death, injury or property damage.

It is important that the gas supply pipe and the electrical connections do not support any of the heater's weight.

A gas meter is connected to the service pipe by the gas supply company. An existing meter should be checked, preferably by the company, to ensure that the meter is adequate for the rate of gas supply required.

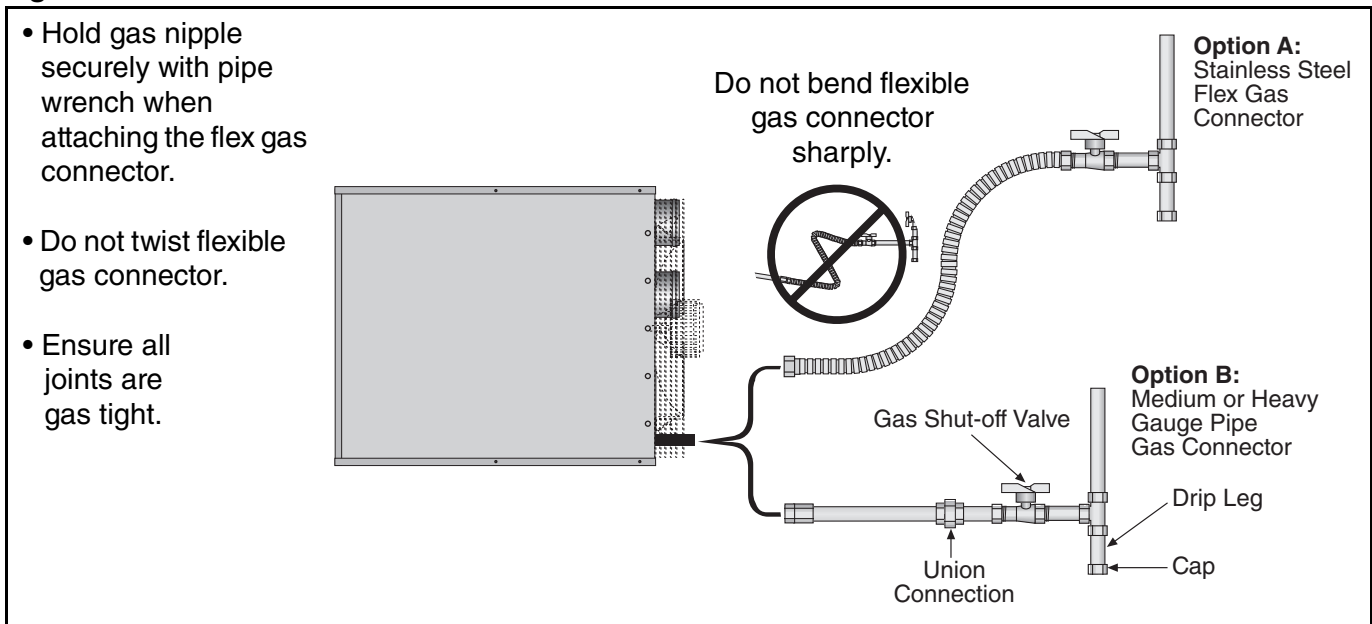
Installation pipes must be fitted in accordance with local and national codes. Pipes of smaller size than the heater inlet gas connection should not be used.

8.1 Connections

Connect the heater to the gas supply ensuring that the final connections are as follows:

- Gas supply pipe work is run in medium or heavy gauge tubing in compliance with local and national codes.

Figure 9: Gas Connection



- Meter and service must be large enough to handle all the burners being installed plus any other connected load. The gas pipe which feeds the system must be large enough to supply the required gas with a maximum pressure drop of 1/2" w.c. When gas piping is not included in the layout drawing, contact the local gas supplier.
- An isolating valve and union connection should be used and fitted into the supply adjacent to the heater.
- A minimum 1/8" NPT plugged tapping accessible for test connection must be installed immediately upstream of the gas supply connection to the heater.
- For suspended heaters, an approved metal flexible connection between the isolating valve and the heater may be used. **To reduce pressure loss, use one pipe size larger than the heater gas connection.**

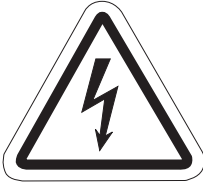
IMPORTANT - The complete installation must be purged and tested for gas soundness in accordance with local and national codes.

- **Do not high pressure (in excess of 1/2 psi [14" w.c.]) test the gas piping with the burner connected. Close manual shut-off valve during any pressure testing equal to or less than 1/2 psi (14" w.c.). Failure to follow these instructions can result in property damage.**

Check the pipe and tubing ends for leaks before placing heating equipment into service. When checking for gas leaks, use a soap and water solution; never use an open flame.

SECTION 9: WIRING

⚠ WARNING



Electrical Shock Hazard

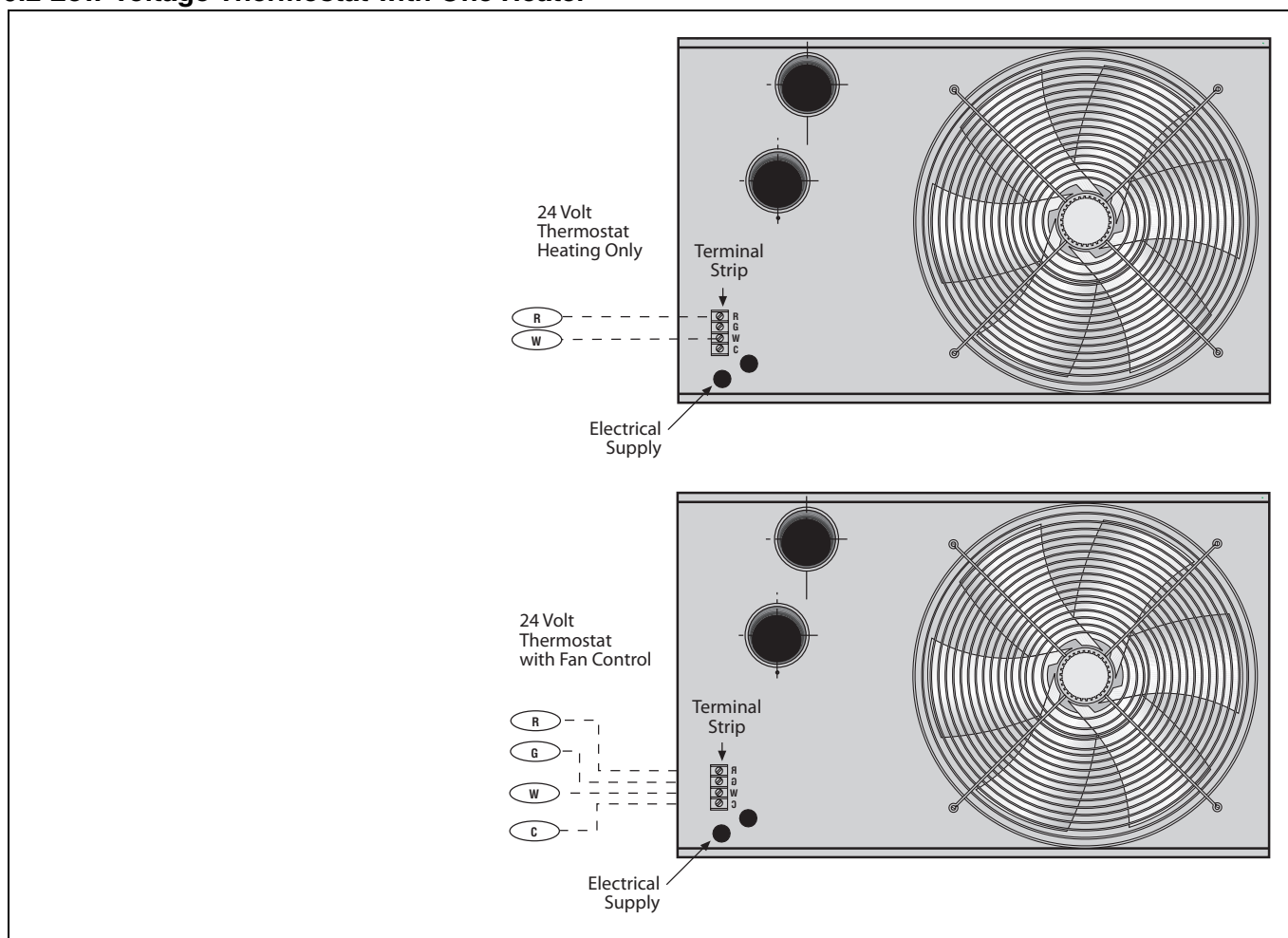
Disconnect electrical power and gas supply before servicing.

This appliance must be connected to a properly grounded electrical source.

Failure to follow these instructions can result in death or electrical shock.

All heater models require constant 120 V 60 Hz 1Ø power supply. Check heater(s) rating plate for electrical rating for proper circuit sizing. For servicing, a disconnect switch of proper electrical rating should be installed in the vicinity of the heater. All heaters are equipped with thermostat connections suitable to power a 24 V thermostat. Heater must be wired and electrically grounded in accordance with local codes. In the absence of local

9.2 Low Voltage Thermostat with One Heater



codes in accordance with: United States: refer to National Electrical Code® ANSI/NFPA 70 - latest revision Canada: refer to Canadian Electrical Code CSA C22.1 Part I - latest revision.

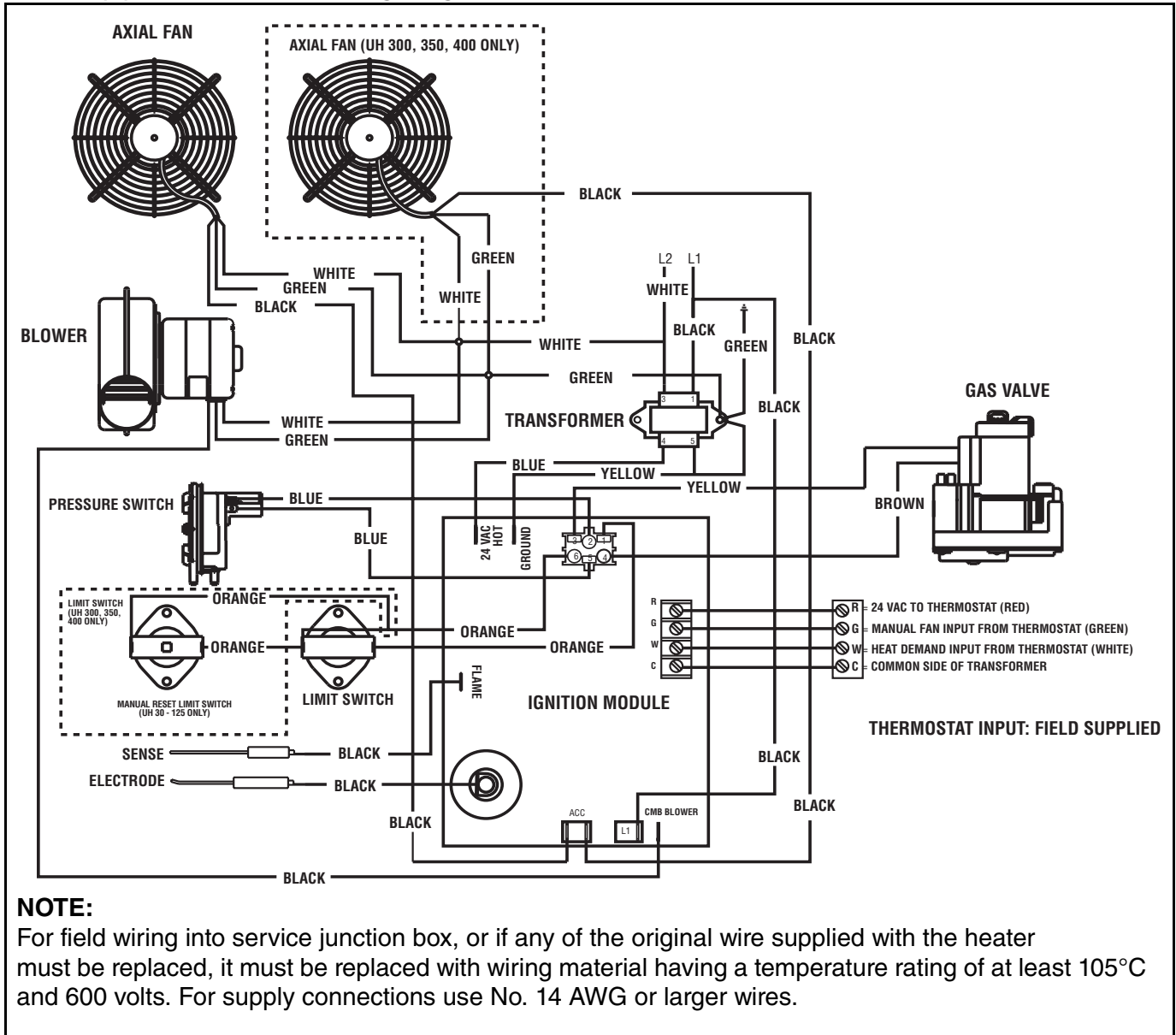
9.1 Positioning Thermostats

A room thermostat or ROBERTS GORDON® control should be mounted on a vibration-free wall or column at a height of approximately 5' (1.5 m) from the floor to measure the ambient temperature. It should be clear of both cold drafts and the direct path of warm air from the heater. Avoid mounting thermostat on outside walls or in areas directly exposed to radiant heat or sunlight. Install wall tag in a visible location near thermostat.

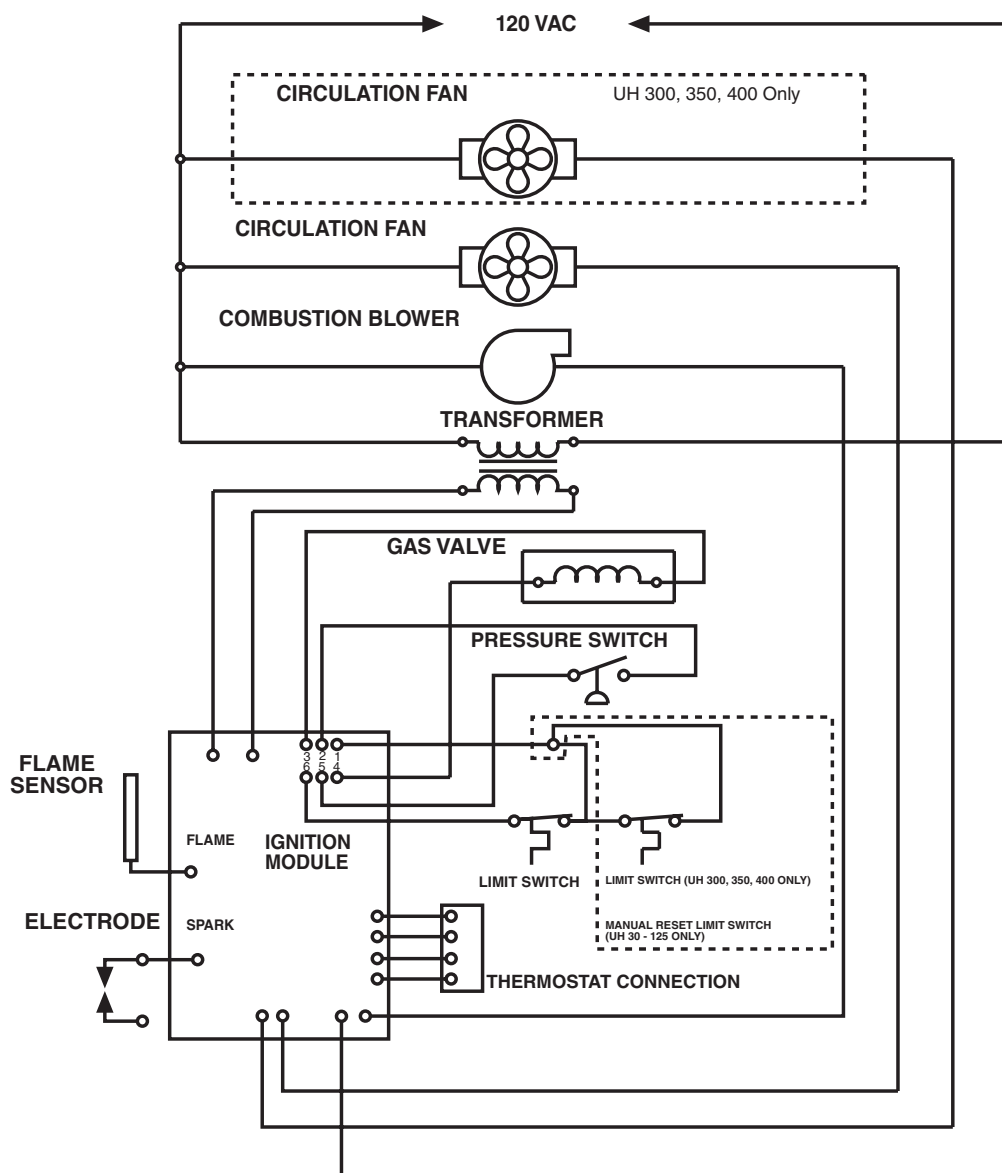
9.1.1 Fan Control

The heater's axial fan can be used during the off-season for air circulation. A low voltage thermostat with fan control must be used. See Page 15, Section 9.2 for thermostat connection details.

9.3 UHA(S) Series Internal Wiring Diagram

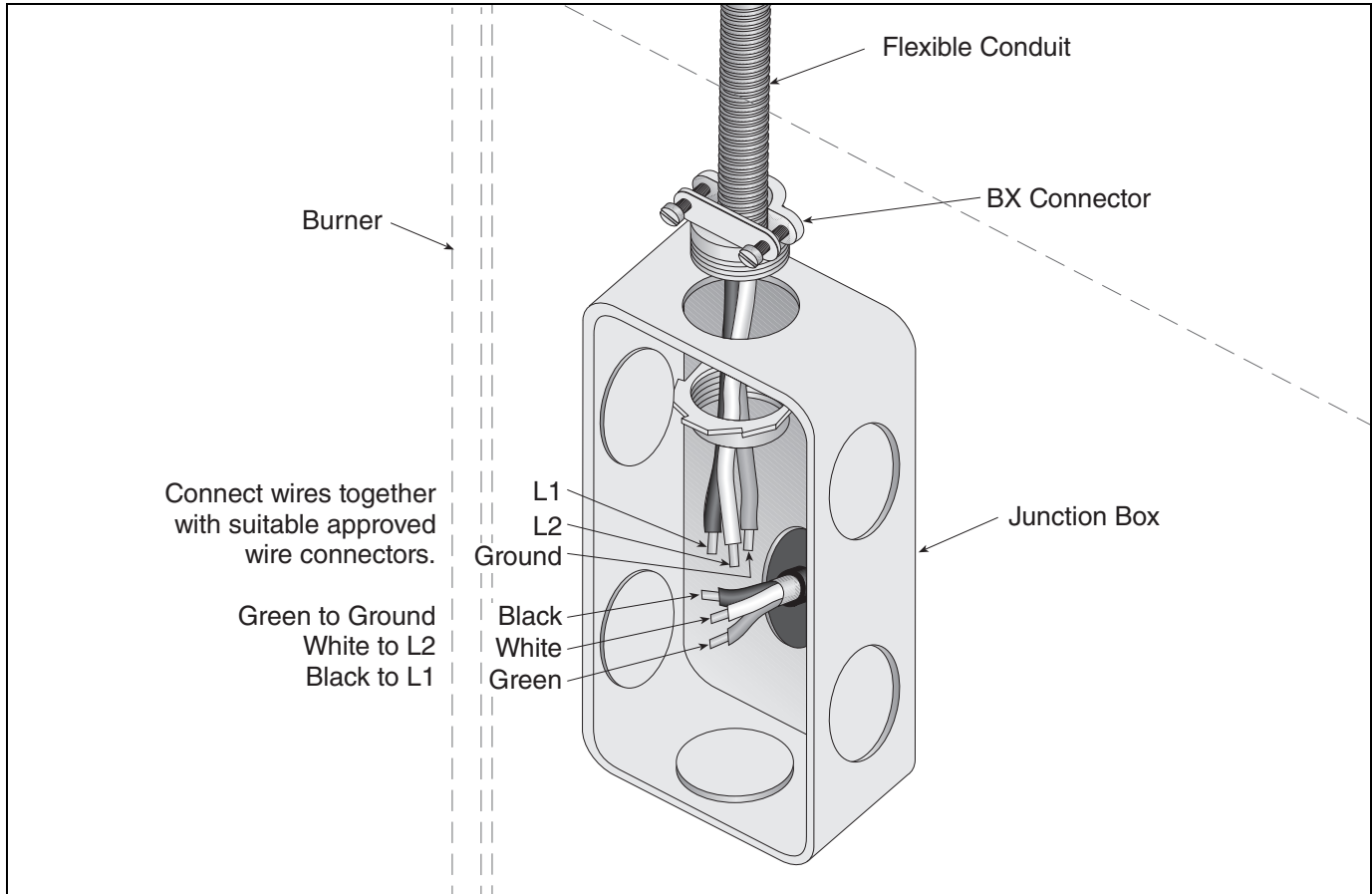


9.4 UHA(S) Series Ladder Wiring Diagram

**NOTE:**

For field wiring into service junction box, or if any of the original wire supplied with the heater must be replaced, it must be replaced with wiring material having a temperature rating of at least 105°C and 600 volts. For supply connections use No. 14 AWG or larger wires.

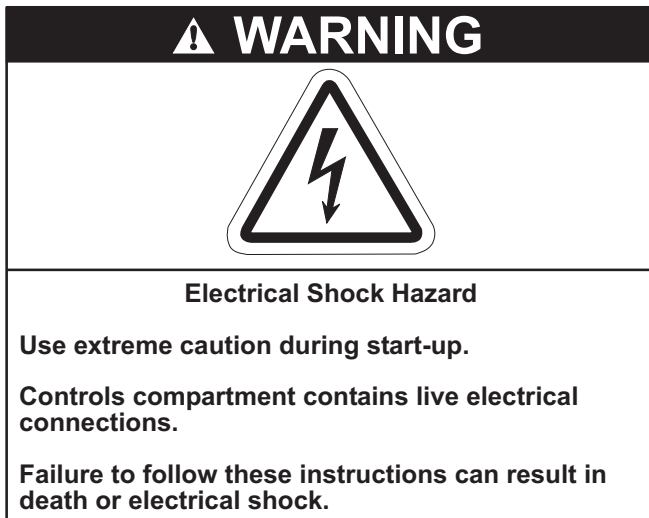
9.5 Electrical Connection to the Heater



Note: Junction box is not provided with heater.
Conduit can also be attached directly to heater with wire junction made within the heater cabinet.

SECTION 10: OPERATION AND MAINTENANCE

Installation, service, and annual inspection of the heater must be done by a contractor qualified in the installation and service of gas-fired heating equipment. Read this manual carefully before installation, operation, or service of this equipment. All components are accessed via the door secured by 4 sheet metal screws. Opening the door exposes live electrical connections and hot components.



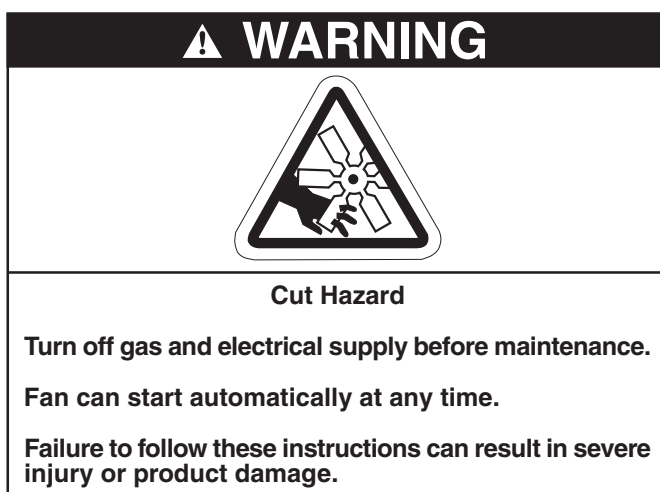
10.1 Pre-Start-Up Checks

All pre-start-up checks must be carried out before lighting the heater.

Ensure that the heater and all controls are suitable for the gas, pressure and electrical supply to which they are to be connected.

10.1.1 Louvers

Where fitted, the air delivery louvers need to be set during start-up to give the required air distribution (optional vertical louvers).



10.1.2 Electrical Checks

All pre-start-up checks must be carried out before start-up the heater.

1. Check that all site wiring is connected in accordance with the appropriate wiring diagram on *Page 16, Section 9.3*.

10.1.3 Gas Supply

All aspects of the gas installation including the gas meter must be inspected, tested for gas tightness and purged in accordance with local and national codes.

Ensure that the air is fully purged from the heater inlet pipe up to the main gas valve inlet test nipple.

10.1.4 Mechanical Checks

1. Check that the fan is free to run and delivery louvers are turned to give required air deflection.
2. Check that the flue (and air intake for separated combustion units) is installed in accordance with these instructions and local regulations.

10.2 Begin Start-Up

10.2.1 Before Operating the Heater

To ensure that all the controls are in safe working order, operate the heater for the first time with the isolating gas valve turned off and power supply turned on.

1. Turn off the isolating gas valve.
2. Turn up the thermostat above room temperature. The automatic ignition sequence will now begin as described on *Page 20, Figure 10*.

There will be no ignition of the burner and lockout will occur, which proves the controls are operating correctly.

Figure 10: Automatic Burner Control Sequence

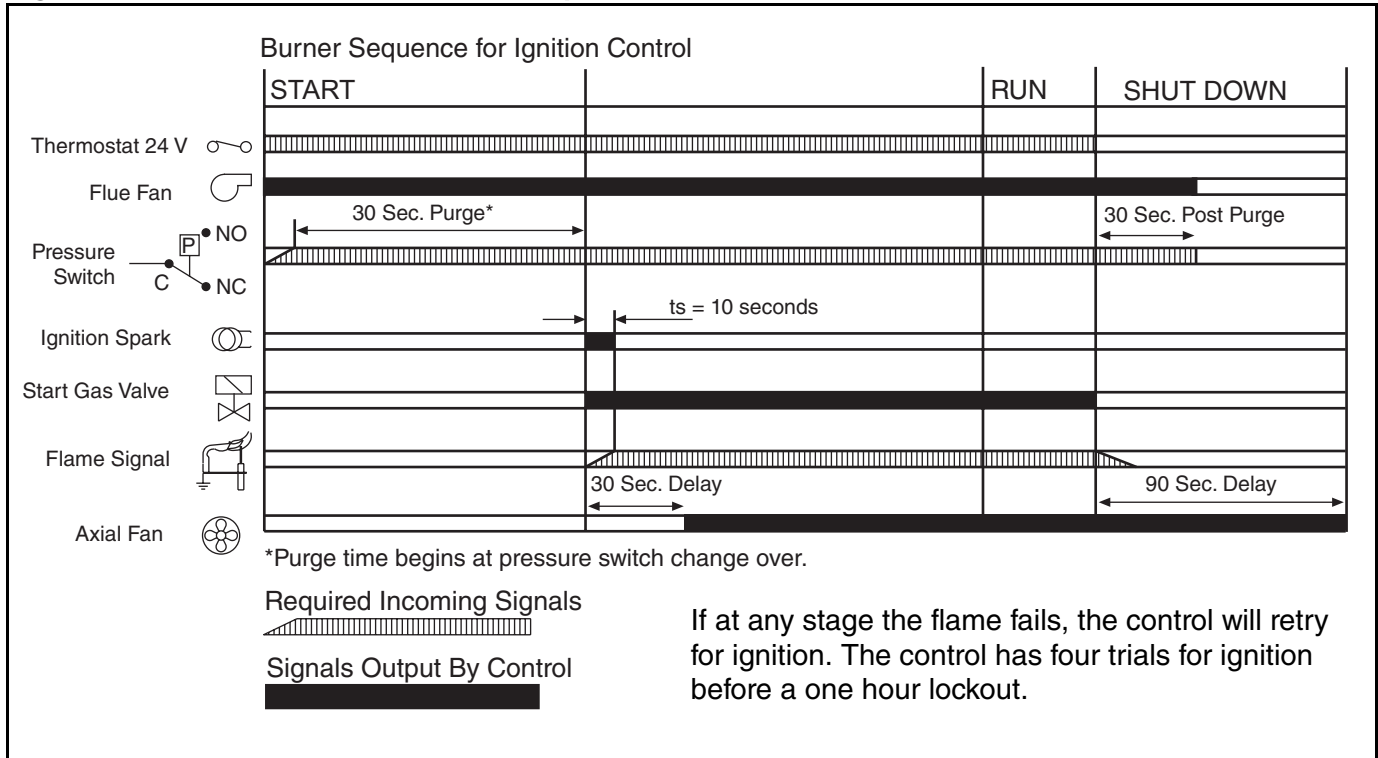
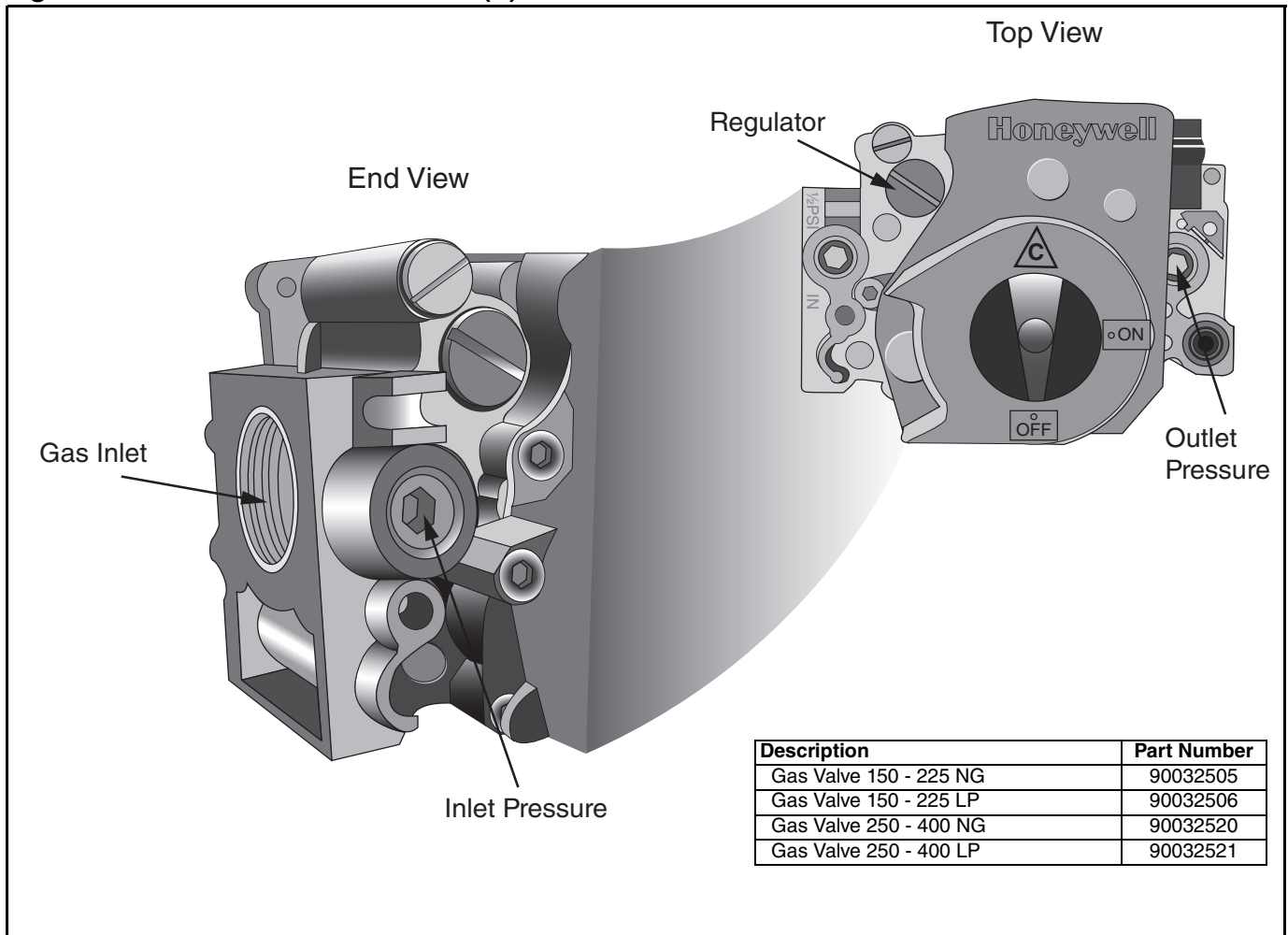


Figure 11: Gas Valve for Models UHA(S) 150 - 400



10.2.2 Start-Up the Gas Valve (All Gases)

10.2.2.1 Check Burner Gas Pressure

1. Remove the plug in the outlet (burner) pressure test point and connect a pressure tap and a manometer.
2. With the burner firing, measure the pressure on the manometer. To adjust the burner pressure, remove the regulator cover from the valve and turn the regulator adjustment screw to set the required burner pressure as stated in the Technical Data Tables for the correct gas and model *on Page 38, Section 15.3*.

NOTE: If the correct burner pressure cannot be reached, then check the inlet pressure to the valve with the burner firing. See Technical Data Tables *on Page 38, Section 15.3* for inlet pressure requirement.

Do not continue to adjust the regulator if the pressure is not changing.

If the inlet pressure is too low to allow correct burner pressure setting, then the gas inlet pressure must be corrected before completing the commission.

Check Gas Rate

1. After burner pressure adjustment, allow the heater to operate for at least 15 minutes and then re-check settings. Adjust pressure setting if necessary.
2. Check gas flow rate at gas meter.
3. Turn off heater and electrical supply.
4. Remove the manometer and refit all covers to the valve and tighten the screw of the outlet pressure tap.

10.2.3 Pressure Switch

The pressure switch is factory pre-set for each model and is not adjustable.

10.2.4 Turning Off the Heater

Set the thermostat to the "OFF" position or lowest setting and the main burner will stop.

The fan will run until it is stopped automatically by the fan thermostat.

Do not use a disconnect switch for control of heater. Disconnect switch will turn off the fan. Heat exchanger could be damaged. Warranty will not cover damage to the heat exchanger if operated improperly. Only use the disconnect switch for turning off heater for service or during off-season.

10.2.5 External Controls

External controls may include time switch, interlock switch, room thermostat and frost thermostat. Operate each control to ensure that they function correctly. Set the switches (if fitted) and thermostat(s) to the users' requirements.

10.3 Complete the Start-Up

Ensure that all covers are fitted correctly and all test points are properly sealed.

10.3.1 Instruction to the User

Explain the controls of the heater to the user including how to turn it on and off, using the controls fitted on site.

Give this manual to the user.


Ensure that the user is shown and understands the importance of maintaining clearances to combustibles and the user instructions *on Page 22, Section 11 through Page 22, Section 11.5* and all warnings defined in this manual.

SECTION 11: USER INSTRUCTIONS

11.1 User Instructions

The UHA(S) Series heaters are fully automatic and operate from the external controls fitted on site.

⚠ WARNING



Electrical Shock Hazard

Disconnect electrical power before servicing.

Failure to follow these instructions can result in death or electrical shock.

11.2 Heater Operation

When the heater has been switched on by the thermostat installed on site, the main burner will automatically turn on.

The burner control box will control the safe ignition of the flame.

All heaters require a constant gas and electricity supply which must not be interrupted during the normal operation of this heater.

11.3 Common User Controls

11.4 Lighting Instructions

11.4.1 To Turn On Heater

1. Ensure that the electrical and gas supplies to the heater are on. Check that the on site controls are "ON".

NOTE: The thermostat setting must be above the ambient temperature for the heater to operate.

2. The automatic firing sequence will begin as described on Page 20, Figure 10. The heater will now operate automatically under the control of the on site controls.

11.4.2 To Turn the Heater Off

Set the thermostat to the "OFF" position.

The burner will turn off immediately.

The fan will continue to run for 90 seconds.

To restart, turn the thermostat above room temperature.

11.5 Simple Troubleshooting

Some possible reasons for the heater not operating are:

1. Gas supply not "ON".
2. Electricity supply not "ON".
3. The time and/or temperature controls are not "ON".
4. A limit switch may have operated. This may be caused by an interruption of the electrical supply, failure of the distribution fan or vent or heat exchanger blockage.

If a temperature limit switch persistently trips, there is a fault which must be investigated by a contractor qualified in the installation and service of gas-fired heating equipment.

11.5.1 Simple Troubleshooting (Burner Faults)

If the burner fails to ignite for any reason, it will retry for ignition (4 trials total). After 4 unsuccessful ignition trials, the control will put the heater into lockout for 1 hour.

Lockout should not occur during normal operation of the heater and indicates there is a fault condition which must be corrected. There is an LED light on the ignition control that flashes codes to assist in fault correction. See Figure 12 for LED indication codes.

Figure 12: LED Diagnostic Codes

LED INDICATION	FAULT MODE
Slow Flash	Normal Operation - No call for heat.
Fast Flash	Normal Operation - Call for heat.
2 Flashes	Ignition Lockout - No flame detected.
3 Flashes	Airflow Fault - Pressure switch open or closed.
4 Flashes	Temperature Limit or Manual Reset Limit Switch Open
5 Flashes	Flame Sense Error - Gas valve not energized.
Steady On	Internal Control Failure

FOR YOUR SAFETY

If you smell gas:

1. Open windows.
2. **DO NOT** try to light any appliance.
3. **DO NOT** use electrical switches.
4. **DO NOT** use any telephone in your building.
5. Leave the building.
6. Immediately call your local gas supplier after leaving the building. Follow the gas supplier's instructions.
7. If you cannot reach your gas supplier, call the Fire Department.

⚠ WARNING**Fire Hazard**

Do not store or use petrol or other flammable vapours and liquids in the vicinity of this or any other appliance.


Some objects will catch fire or explode when placed close to heater.

Failure to follow these instructions can result in death, injury or property damage.

SECTION 12: SERVICING

12.1 Servicing Instructions

After start-up, the heater will require maintenance to be carried out annually. If the heater is used in a dirty or dusty area, more frequent maintenance may be necessary.


WARNING
Cut Hazard
<p>Turn off gas and electrical supply before maintenance.</p> <p>Fan can start automatically at any time.</p> <p>Failure to follow these instructions can result in severe injury or product damage.</p>

NOTE 1: After any maintenance or repair work, always test fire the heater in accordance with the start-up instructions on *Page 19, Section 10 through Page 21, Section 10.3.1* to ensure all safety systems are in working order before leaving the heater to operate. Minor faults may be traced by using the troubleshooting charts on *Page 27, Section 13 through Page 30, Section 13.5*.

NOTE 2: Check all gas pipes and pipe joints to ensure there are no cracks or gas leaks. Any cracks in the pipes or pipe joints must be repaired.

NOTE 3: Inspect all suspended components and hardware. Ensure that they are in good condition, properly tightened, and corrosion free.

12.2 Burner Maintenance

1. Open the door and remove the burner compartment cover. See *Page 32, Section 14.2*.
2. Clean any deposits from the main burner which may have formed in the injectors or venturi of the burner. See *Page 32, Section 14.2*.
3. Remove the ignition electrode and flame probe. Check condition of ignition electrode and flame probe. Clean off any deposits which may have been formed, check condition of ceramic insulators. Replace as necessary.

12.3 Fan/Motor Assembly Maintenance

The main fan bearings are permanently sealed and do not need lubrication. Before cleaning, turn off gas and electrical supply. Remove the fan and use a small brush or duster to clean the fan blades from each side. Replace fan when done.

12.4 Heat Exchanger Maintenance

The heat exchanger will remain clean unless a problem has developed with combustion. Inspect the heat exchanger. Look for signs of overheating at the front tubes which may indicate burner over firing or persistently low air flows.

12.5 Gas Valve Maintenance

No regular maintenance is required on this device. To change gas control valves, See *Page 31, Step 14.1 and Page 35, Section 14.5*.

Do not repair or disassemble gas valve. Replace faulty gas valves with genuine ROBERTS GORDON® replacement parts.




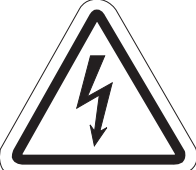
12.6 Combustion Fan

The combustion fan should not require maintenance. However, if the air pressure switch is causing burner lockout, then remove the combustion fan from the vent box by unscrewing the three screws at the mounting plate. Remove the four screws attaching the mounting plate to the fan inlet (See *Page 34, Section 14.4*). Ensure that the fan is free to run and that the fan wheel is clean.

12.7 Venting and Air Intake Pipe

Inspect all venting and air intake pipe. Ensure that all seams are sealed and suspension points secure. Repair suspension points if any part of the venting or combustion air pipe is sagging. Check to make sure any insulation is not missing or in poor condition. Replace as necessary. Check all venting and air intake components to ensure they are in good condition, gas tight and corrosion-free.

12.8 Maintenance Checklist

 WARNING		
		
Explosion Hazard		
Service and annual inspection must be done by a contractor qualified in the installation and service of gas-fired heating equipment or your gas supplier.		
Turn off gas and electrical supplies before performing service or maintenance.		
Failure to follow these instructions can result in death, injury or property damage.		

Installation Code and Annual Inspections: All installations and service of ROBERTS GORDON® equipment must be performed by a contractor qualified in the installation and service equipment sold and supplied by Roberts-Gordon and conform to all requirements set forth in the ROBERTS GORDON® manuals and all applicable governmental authorities pertaining to the installation, service and operation of the equipment. To help facilitate optimum performance and safety, Roberts-Gordon recommends that a qualified contractor annually inspect your ROBERTS GORDON® equipment and perform service where necessary, using only replacement parts sold and supplied by Roberts-Gordon.

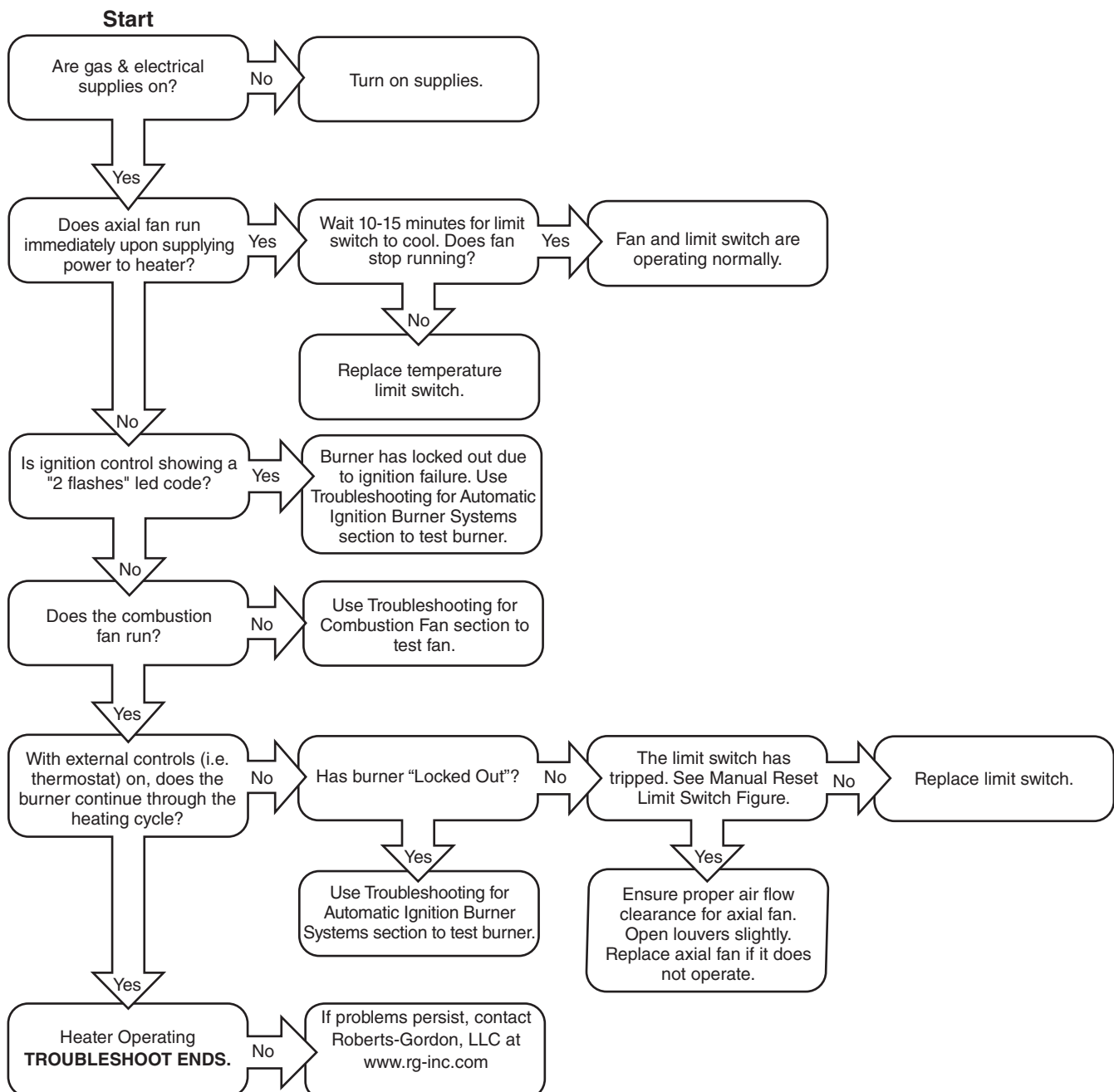
The Vicinity of the Heater	Do not store or use flammable objects, liquids or vapors near the heater. Immediately remove these items if they are present. <i>See Page 3, Section 3.</i>
Vehicles and Other Objects	Maintain the clearances to combustibles. Do not hang anything from, or place anything on, the heater. Make sure nothing is lodged in between the heat exchanger or in the louvers. Immediately remove objects in violation of the clearances to combustibles. <i>See Page 3, Section 3.</i>
Vent Pipe/Terminals	Venting must be intact. Using a flashlight, look for obstructions, cracks on the pipe, gaps in the sealed areas or corrosion. The area must be free of dirt and dust. Remove any carbon deposits or scale using a wire brush. If the vent terminal has a screen built in, remove any dirt, dust or deposits from the screen. <i>See Page 13, Section 7.</i>
Combustion Air Intake Pipe	Intake pipe and inlet must be intact. Look for obstructions, cracks on the pipe, gaps in the sealed areas or corrosion. The area must be free of dirt and dust. Clean and reinstall as required.
Heat Exchanger	Make sure there are no cracks. <i>See Page 14, Section 8.</i> Make sure there is no sagging, bending or distortion. Clean or replace as required.
Gas Line and Shut-off Valves	Check for gas leaks. <i>See Page 14, Section 8.</i>

Burner Observation Window	Make sure it is clean and free of cracks or holes. Clean and replace as required.
Combustion Fan Scroll, Wheel and Motor	Compressed air or a vacuum cleaner may be used to clean dust and dirt.
Inshot Burners and Orifices	Clear of obstructions (even spider webs will cause problems). Carefully remove any dust and debris from the burner.
Direct-Spark Igniter	Replace if there are cracked ceramics, excessive carbon residue, or erosion of the electrode. The electrode gap should be 1/8" (3.2 mm).
Thermostat	There should be no exposed wire or damage to the device or wiring. <i>See Page 19, Section 10.</i>
Suspension Points	Make sure the heater is hanging securely. Look for signs of wear on the suspension materials or ceiling. <i>See Page 6, Figure 2.</i>
Silicone Tubing	Ensure tight, secure fit on all pressure fittings at pressure switch, burner partition, and blower outlet.
Gas Valve	Verify that cap covering pressure regulator adjustment screw is secure and has not been tampered with. Verify all wiring connections.
Condensate Drain (when installed)	Flush drain and clear any obstructions.

SECTION 13: TROUBLESHOOTING

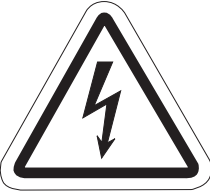
13.1 General

⚠ WARNING		
		
Explosion Hazard		
<p>Installation must be done by a registered installer/contractor qualified in the installation and service of gas-fired heating equipment or your gas supplier.</p> <p>Failure to follow these instructions can result in death, injury or property damage.</p>		



13.2 Troubleshooting For Automatic Ignition Burner Systems

⚠ WARNING

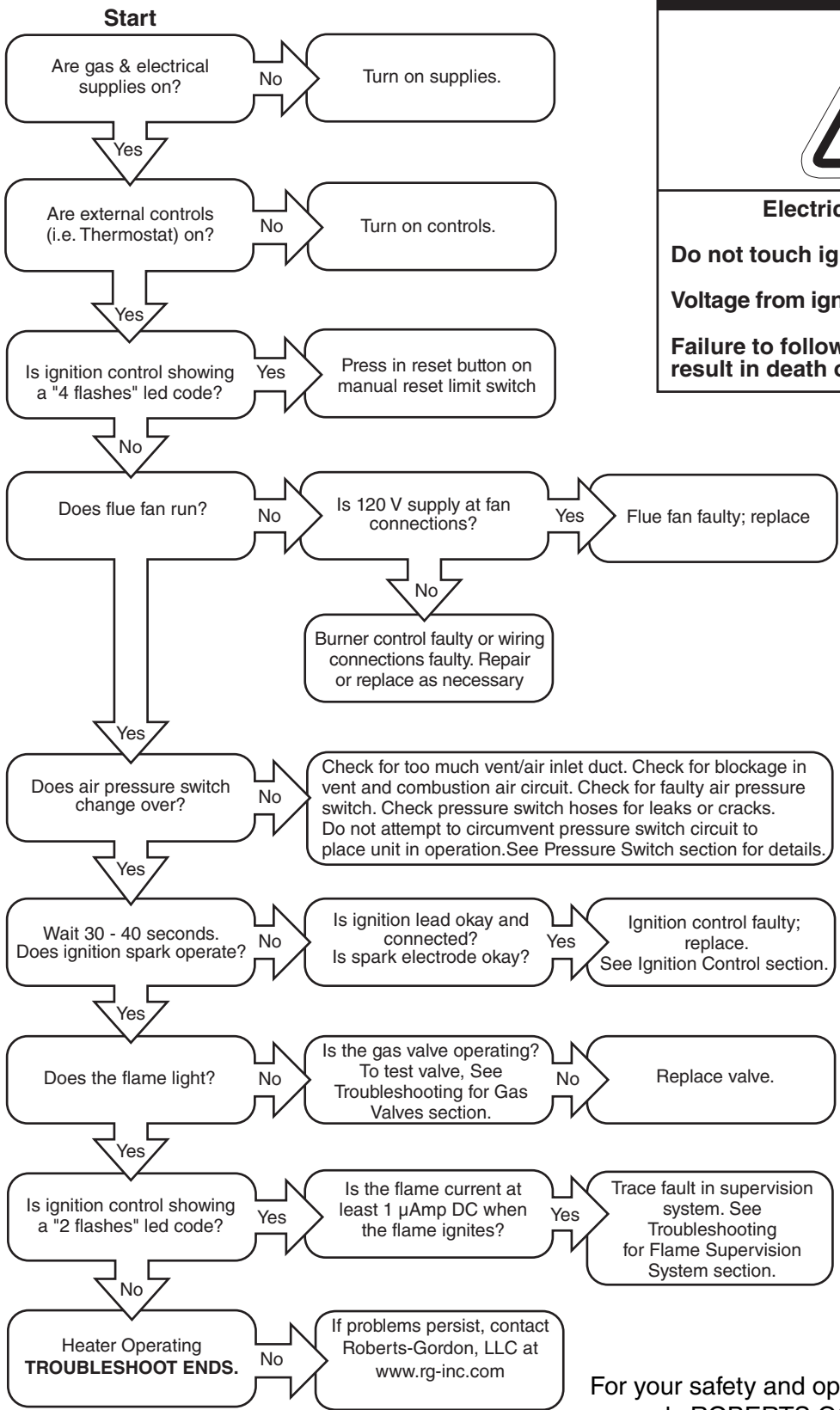


Electrical Shock Hazard

Do not touch ignition components.

Voltage from ignition components is high.

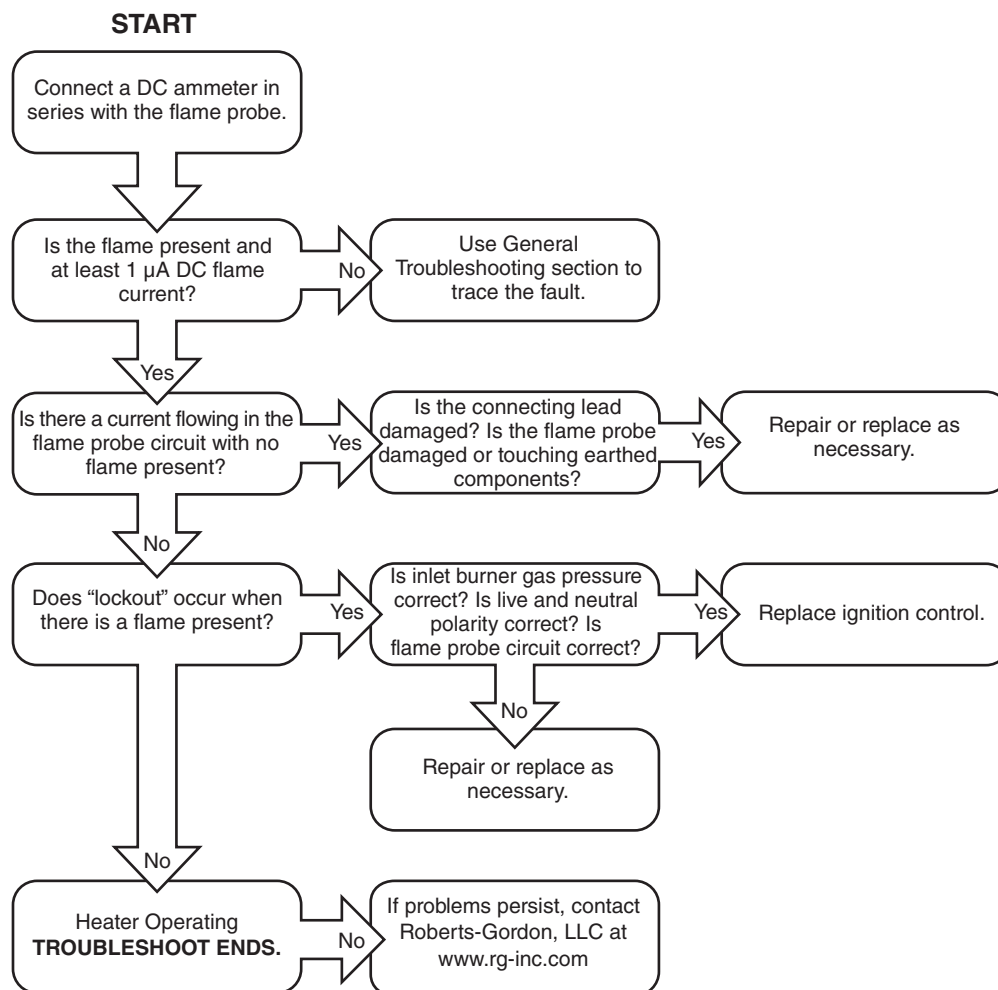
Failure to follow these instructions can result in death or electrical shock.



For your safety and optimum heater performance, use only ROBERTS GORDON® replacement parts. **Conduct start-up procedure as shown on Page 19, Section 10.**

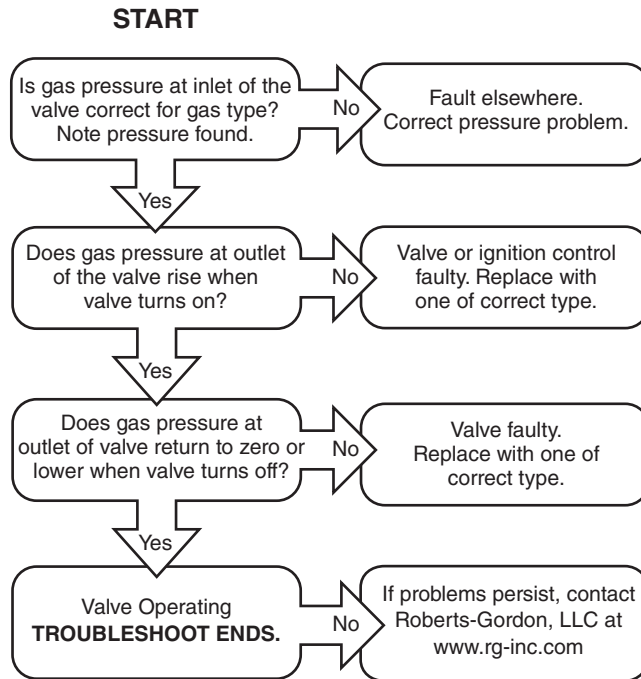
13.3 Troubleshooting for Flame Supervision System

To measure flame current, connect a 0 - 50 μA DC meter in series with the flame probe. If the meter reads negative values, then reverse the test leads.

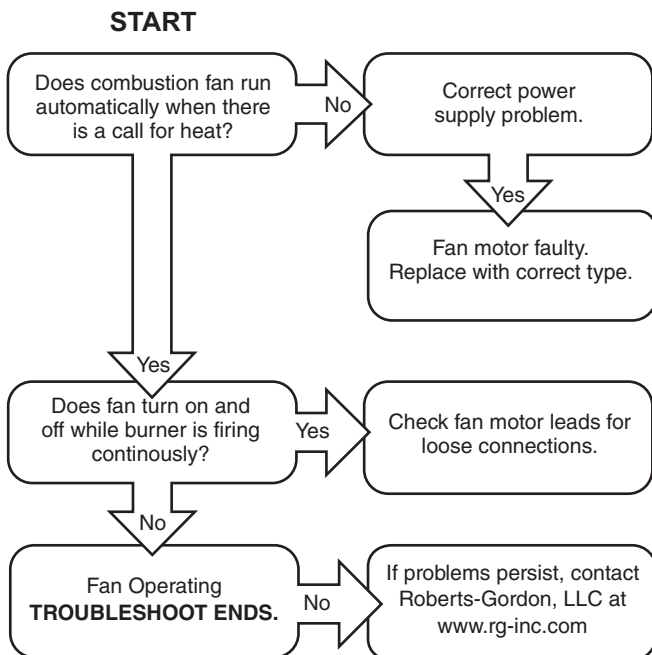


NOTE: Minimum flame probe current 1 μA DC. Typical flame probe current 3-5 μA DC.

13.4 Troubleshooting for Gas Valves



13.5 Troubleshooting for Combustion Fan



For your safety and optimum heater performance, use only genuine ROBERTS GORDON® replacement parts.

Conduct start-up procedure as shown on Page 19, Section 10.

SECTION 14: REPLACEMENT PARTS

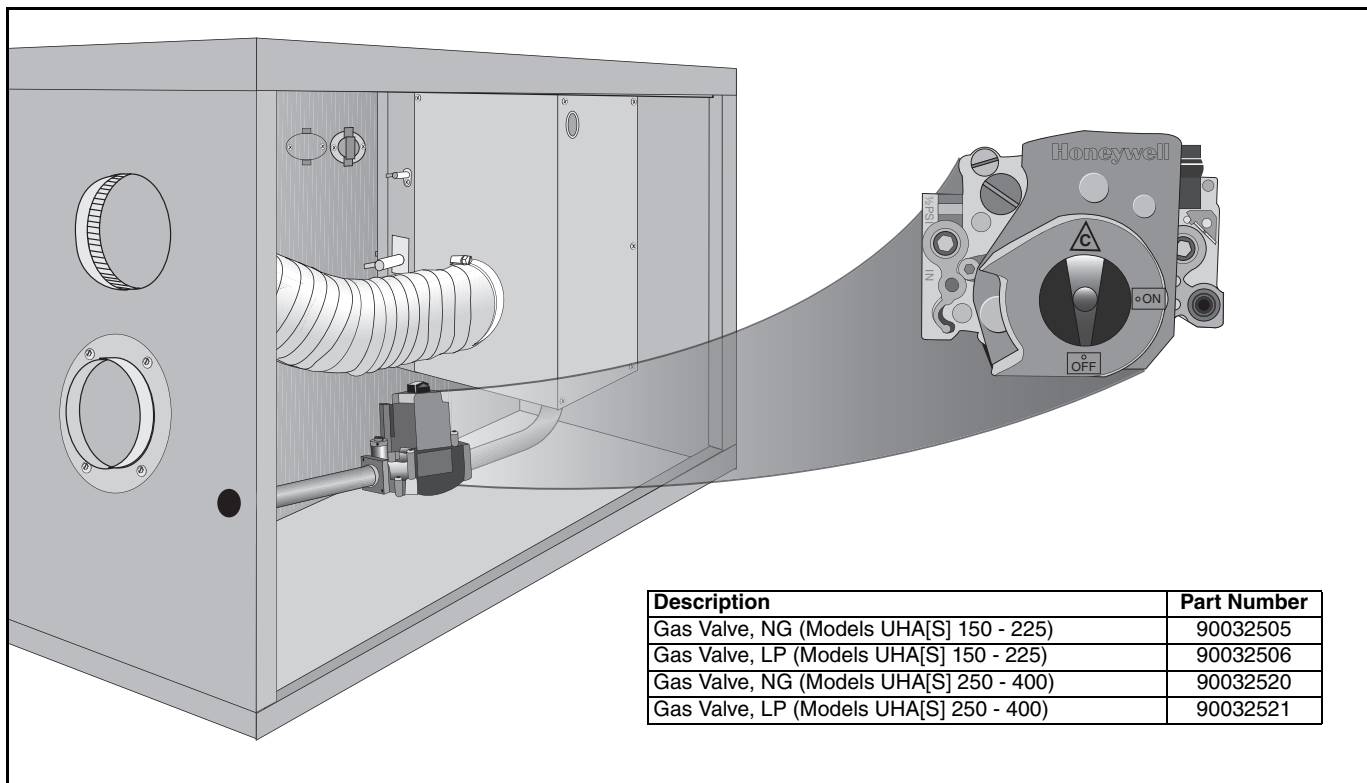
See warnings and notes on *Page 24, Section 12* before removing or replacing parts.

Burner Components

All serviceable burner parts are accessed by the door on the side of the heater. Remove the sheetmetal screws.

14.1 Gas Valve

Remove the gas supply pipe at the heater inlet.



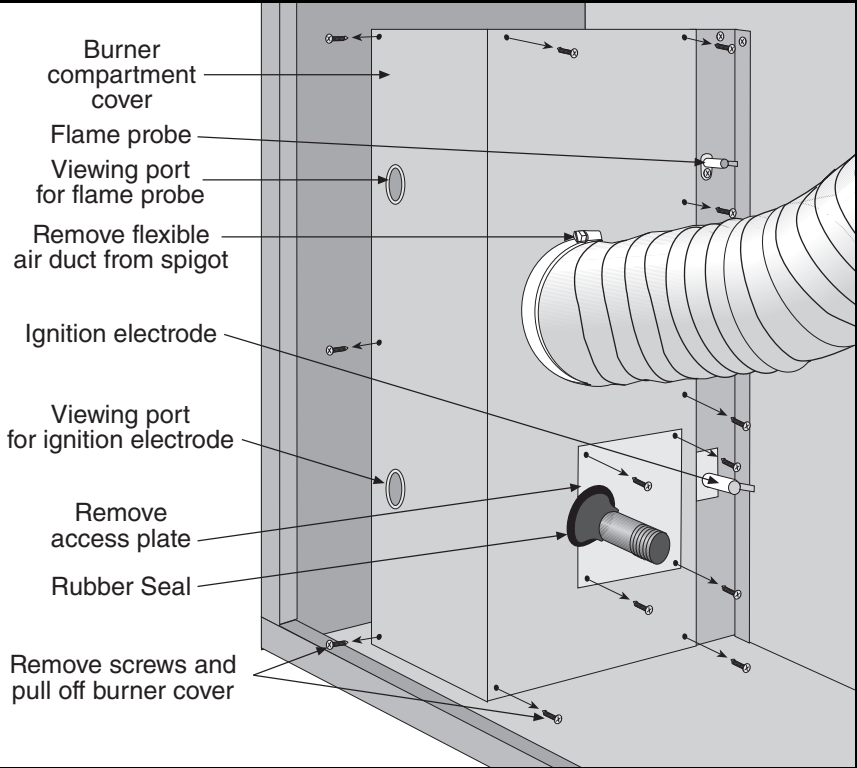
Follow steps in *Section 14.2* and *Section 14.2.1* to remove gas valve/manifold.

Replace in reverse order. Verify that the gas flow direction of the valve is correct. Use a minimum amount of gas seal on the thread joint. Check that all the joints are leak free. Reset gas valve. See *Page 21, Section 10.2.2*.

IT IS IMPORTANT THAT ONLY THE CORRECT GAS VALVE IS USED WHEN REPLACING THESE CONTROLS.

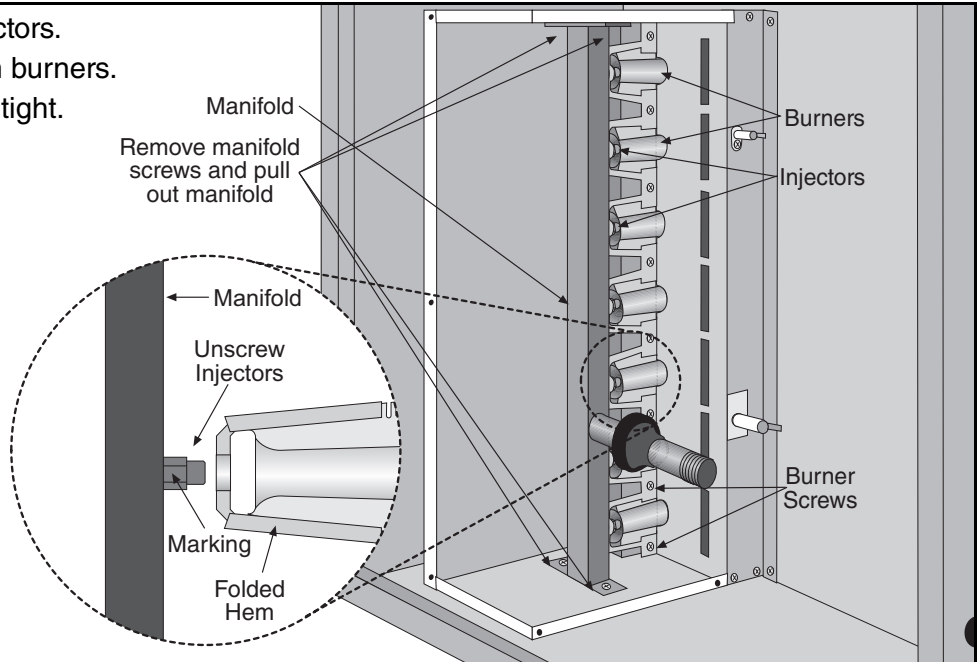
14.2 Burner Compartment

The burner compartment is a sealed compartment. Following any work, re-seal the compartment with the gas pipe rubber seal fully in place and all screws fitted and tight.



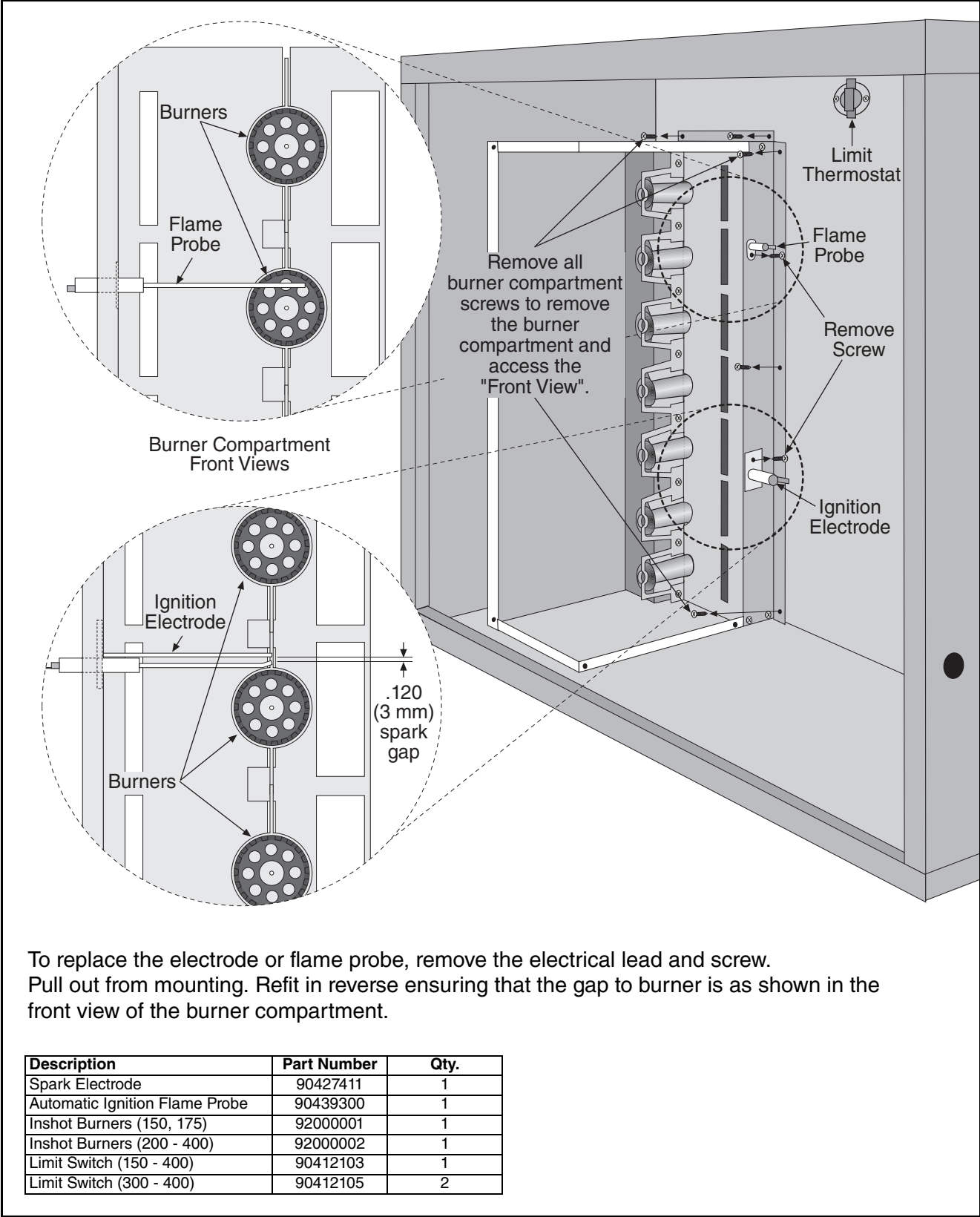
14.2.1 Burner Injectors

Ensure gas tight fitting of injectors.
 Ensure correct alignment with burners.
 Ensure all pipe joints are gas tight.



	UHA[S] 150	UHA[S] 175	UHA[S] 200	UHA[S] 225	UHA[S] 250	UHA[S] 300	UHA[S] 350	UHA[S] 400
Orifice Quantity	7	8	9	10	11	12	14	14
Natural Gas (G20)								
Orifice Marking	43	43	2.25 mm	2.25 mm	2.25 mm	40	40	40
RG P/N	91930043	91930043	91930225	91930225	91930225	91930040	91930040	91930040
Propane (G31)								
Orifice Marking	1.35 mm	1.35 mm	54	54	54	1.45 mm	53	53
RG P/N	91930135	91930135	91930054	91930054	91930054	91930145	91930053	91930053

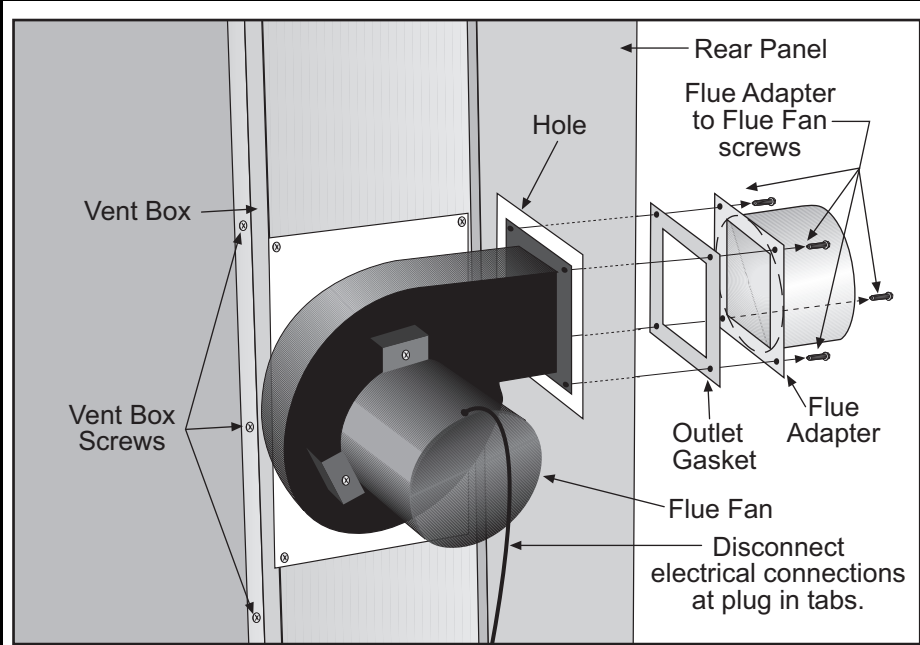
14.3 Ignition Electrode and Flame Probe



To replace the electrode or flame probe, remove the electrical lead and screw. Pull out from mounting. Refit in reverse ensuring that the gap to burner is as shown in the front view of the burner compartment.

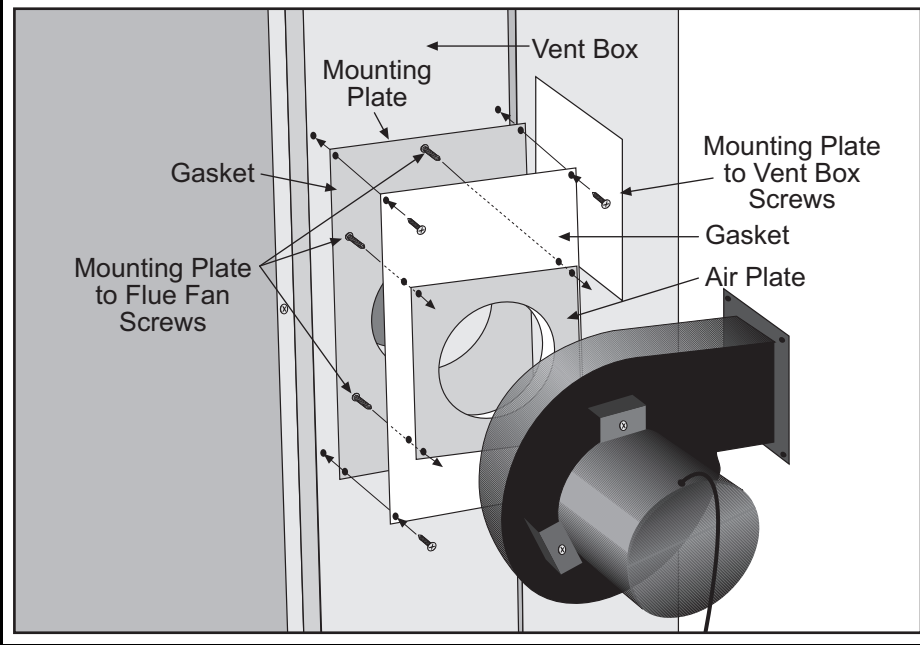
Description	Part Number	Qty.
Spark Electrode	90427411	1
Automatic Ignition Flame Probe	90439300	1
Inshot Burners (150, 175)	92000001	1
Inshot Burners (200 - 400)	92000002	1
Limit Switch (150 - 400)	90412103	1
Limit Switch (300 - 400)	90412105	2

14.4 Combustion Fan Vertical Installation



Remove screws securing outlet flange to the flue adapter.

Refit in reverse order.



Remove screws securing flue fan mounting plate to vent box. Remove screws securing mounting plate to fan. Refit in reverse. Use new gaskets. Ensure sealed joints. Ensure mounting plate orifice is clear and not obstructed.

	UHA[S] 150 - 175	UHA[S] 200 - 300	UHA[S] 350 - 400
Exhaust Fan P/N	90710405	90710403	90710402


IT IS IMPORTANT THAT ONLY THE CORRECT COMBUSTION FAN SPECIFIED FOR EACH MODEL TYPE IS USED WHEN REPLACING THESE ITEMS.

Carry out a start-up after working on or changing a combustion fan. See Page 22, Section 11.

14.5 Pressure Switch

Pull off 3 way connector. Spring open plastic clips of mounting cradle. Replace with correct type of pressure switch for model. The pressure switches are color coded for each pressure setting.

⚠ WARNING



Carbon Monoxide Hazard

Use correct pressure switch specified for each model.

Use of incorrect pressure switch or disabling pressure switch circuit could cause unsafe condition.

Failure to follow these instructions can result in death or serious injury.

Carry out a commission after working on or changing a pressure switch. See *Page 19, Section 10*.

	UHA[S] 150 - 175	UHA[S] 200 - 225	UHA[S] 250	UHA[S] 300 - 350	UHA[S] 400
P/N	90439802	90439808	90439803	90439807	90439808
Color Code	yellow	orange	gray	brown	orange
Set Point in. w.c.	.32	.79	.41	.68	.79

14.6 Ignition Control

The control mounts to the electrical plate. Pull out ignition cable and wiring from board, noting their positions.

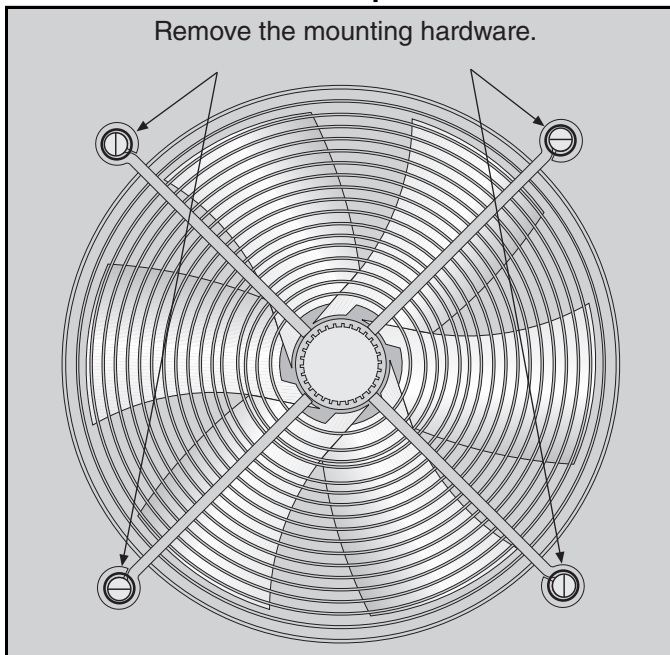
Release the four mounting standoffs.

Refit in reverse. Ensure correct location of ignition cable and all other wiring.

14.7 Axial Fan/Guard/Motor Assembly

The axial fan unit for the heater is supplied completely assembled and balanced.

14.7.1 Fan Removal and Replacement



Description	Part Number	Qty.
Axial Fan UHA[S] 150 - 175	90710416	1
Axial Fan UHA[S] 200 - 250	90710417	1
Axial Fan UHA[S] 300 - 400	90710416	2

14.7.2 To Replace the Fan Assembly

To replace the fan assembly, reverse the procedure shown above.

- Check that the fan blades are free to rotate before turning on the power to the fan.
- Strictly comply with the color code of the fan wires to ensure correct operation. See Page 16, Section 9.3 wiring diagram.
- Use only genuine ROBERTS GORDON® replacement parts.

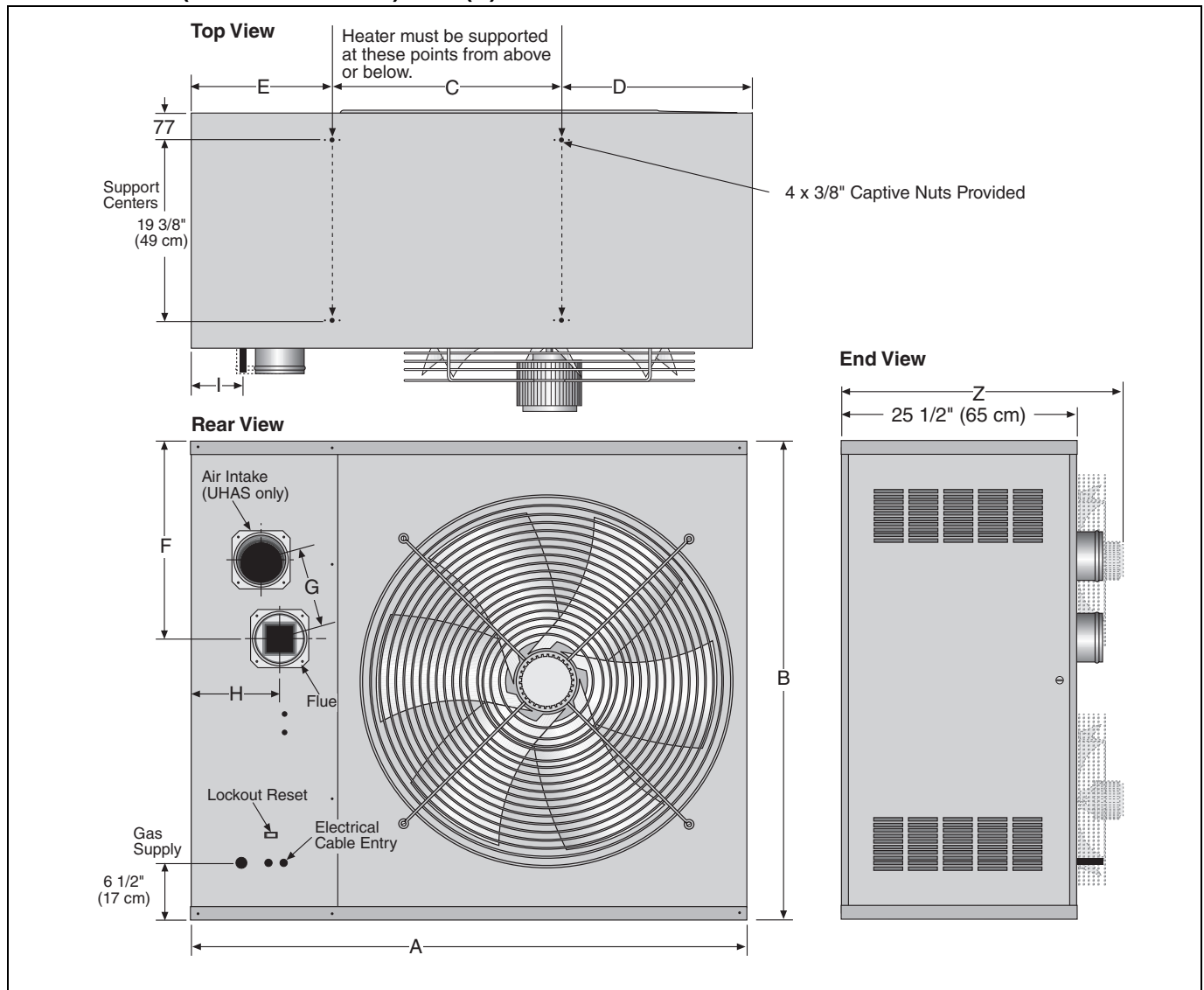
14.8 Limit Switches

14.8.1 Removal and Replacement

1. Remove the electrical connections to the switch.
2. Unscrew the two screws securing the switch.
3. Fit a new switch with two screws.
See Page 38, Section 15.3.
4. Reconnect the electrical connections and test operation.

SECTION 15: SPECIFICATIONS

15.1 Standard (Models 150 - 400) UHA(S) Series Dimension Data



		Model	UHA[S] 150	UHA[S] 175	UHA[S] 200	UHA[S] 225	UHA[S] 250	UHA[S] 300	UHA[S] 350	UHA[S] 400
A	Width	in (cm)	42.4 (108)	42.4 (108)	42.4 (108)	42.4 (108)	42.4 (108)	52.3 (133)	52.3 (133)	52.3 (133)
B	Height	in (cm)	26.9 (68)	26.9 (68)	35.2 (89)	35.2 (89)	35.2 (89)	43.5 (110)	43.5 (110)	43.5 (110)
C	Support Spacing	in (cm)	17.7 (45)	17.7 (45)	17.7 (45)	17.7 (45)	17.7 (45)	24.7 (63)	24.7 (63)	24.7 (63)
D	Support Spacing	in (cm)	12.3 (31)	12.3 (31)	12.3 (31)	12.3 (31)	12.3 (31)	12.3 (31)	12.3 (31)	12.3 (31)
E	Support Spacing	in (cm)	12.4 (32)	12.4 (32)	12.4 (32)	12.4 (32)	12.4 (32)	15.3 (39)	15.3 (39)	15.3 (39)
F	Centre of Flue	in (cm)	15.5 (39)	15.5 (39)	17.5 (44)	17.5 (44)	17.5 (44)	13.8 (35)	13.8 (35)	13.8 (35)
G	Centre of Flue/Air Intake	in (cm)	5.5 (14)	5.5 (14)	6.4 (16)	6.4 (16)	6.4 (16)	7 (18)	7 (18)	7 (18)
H	Position of Flue	in (cm)	8.2 (21)	8.2 (21)	8.8 (22)	8.8 (22)	8.8 (22)	11 (28)	11 (28)	11 (28)
I	Gas Inlet Position	in (cm)	5.8 (15)	5.8 (15)	5.8 (15)	5.8 (15)	5.8 (15)	5.8 (15)	5.8 (15)	5.8 (15)
Z	Length	in (cm)	34 (86)	34 (86)	34 (86)	34 (86)	34 (86)	34 (86)	34 (86)	34 (86)

15.2 General Technical Data Table (All Models)

		UHA[S] 150	UHA[S] 175	UHA[S] 200	UHA[S] 225	UHA[S] 250	UHA[S] 300	UHA[S] 350	UHA[S] 400
Full Load Amps @ 115 V	A	5.8	5.8	10.6	10.6	10.6	11.6	11.6	11.6
Air Volume	CFM	2245	2245	3716	3716	3716	4663	4663	4663
Flue and Air Intake									
Flue Intake Size	in (cm)	4 (10)	4 (10)	4 (10)	4 (10)	4 (10)	4 (10)	4 (10)	4 (10)
Air Intake Size	in (cm)	4 (10)	4 (10)	4 (10)	4 (10)	4 (10)	5 (13)	5 (13)	5 (13)
*Maximum Straight Flue/Air Intake	ft (m)	40 (1)	40 (1)	40 (1)	40 (1)	40 (1)	40 (1)	40 (1)	40 (1)

*Do not exceed the maximum length of flue stated or heater may not operate properly.

15.3 Technical Data Table (All Models)

		UHA[S] 150	UHA[S] 175	UHA[S] 200	UHA[S] 225	UHA[S] 250	UHA[S] 300	UHA[S] 350	UHA[S] 400
Total Input	(Btu/h) x (1000)	150	175	200	225	250	300	350	385
Total Output	(Btu/h) x (1000)	123	143.5	164	184.5	205	246	287	315.7
Efficiency	%	82	82	82	82	82	82	82	82
Natural Gas (G20) Data - Inlet Pressure 5.0 in w.c. Min., 14 in w.c. Max.									
Burner Pressure	in. w.c.	3.2	3.4	3.7	3.7	4.0	2.7	2.5	3.3
LPG / Propane (G31) Data - Inlet Pressure 12.0 in w.c. Min., 14 in w.c. Max.									
Burner Pressure	in. w.c.	9.9	10.4	10.5	10.7	10.7	9.4	9.3	11.1

SECTION 16: THE ROBERTS GORDON® COMBAT® UHA-SERIES WARRANTY

ROBERTS-GORDON WILL PAY FOR:

Within 24 months from date of purchase by buyer or 27 months from date of shipment by Roberts-Gordon (whichever comes first), replacement parts will be provided free of charge for any part of the product which fails due to a manufacturing or material defect.

Roberts-Gordon will require the part in question to be returned to the factory. Roberts-Gordon will, at its sole discretion, repair or replace after determining the nature of the defect and disposition of part in question.

ROBERTS GORDON® Replacement Parts are warranted for a period of 18 months from date of shipment from Roberts-Gordon or the remaining ROBERTS GORDON® COMBAT® UHA-Series warranty.

ROBERTS-GORDON WILL NOT PAY FOR:

Service trips, service calls and labor charges.

Shipment of replacement parts.

Claims where the total price of the goods have not been paid.

Damage due to:

- Improper installation, operation or maintenance.
- Misuse, abuse, neglect, or modification of the ROBERTS GORDON® COMBAT® UHA-Series in any way.
- Use of the ROBERTS GORDON® COMBAT® UHA-Series for other than its intended purpose.
- Incorrect gas or electrical supply, accident, fire, floods, acts of God, war, terrorism, or other casualty.
- Improper service, use of replacement parts or accessories not specified by Roberts-Gordon.
- Failure to install or maintain the ROBERTS GORDON® COMBAT® UHA-Series as directed in the Installation, Operation and Service manual.
- Relocation of the ROBERTS GORDON® COMBAT® UHA-Series after initial installation
- The use of the ROBERTS GORDON® COMBAT® UHA-Series in a corrosive atmosphere containing contaminants.
- The use of the ROBERTS GORDON® COMBAT® UHA-Series in the vicinity of a combustible or explosive material.
- Any defect in the ROBERTS GORDON® COMBAT® UHA-Series arising from a drawing, design, or specification supplied by or on behalf of the consumer.
- Damage incurred during shipment. Claim must be filed with carrier.

WARRANTY IS VOID IF:

The ROBERTS GORDON® COMBAT® UHA-Series is not installed by an electrician qualified in the installation and service of control systems for heating equipment.

You cannot prove original purchase date and required annual maintenance history.

The data plate and/or serial number are removed, defaced, modified or altered in any way.

The ownership of the ROBERTS GORDON® COMBAT® UHA-Series is moved or transferred. This warranty is nontransferable.

Roberts-Gordon is not permitted to inspect the damaged controller and/or component parts.

READ YOUR INSTALLATION, OPERATION AND SERVICE MANUAL

If you have questions about your controller, contact your installing professional. Should you need Replacement Parts or have additional questions, call or write Roberts-Gordon:

U.S.A.

1250 William Street

P.O. Box 44

Buffalo, New York 14240-0044

716.852.4400

On the web at: www.rg-inc.com

Roberts-Gordon's liability, and your exclusive remedy, under this warranty or any implied warranty (including the implied warranties of merchantability and fitness for a particular purpose) is limited to providing replacement parts during the term of this warranty. Some jurisdictions do not allow limitations on how long an implied warranty lasts, so this limitation may not apply to you. There are no rights, warranties or conditions, expressed or implied, statutory or otherwise, other than those contained in this warranty.

Roberts-Gordon shall in no event be responsible for incidental or consequential damages or incur liability for damages in excess of the amount paid by you for the ROBERTS GORDON® COMBAT® UHA-Series.

Some jurisdictions do not allow the exclusion or limitation of incidental or consequential damages, so this limitation or exclusion may not apply to you. This warranty gives you specific legal rights, and you may also have other rights which vary from jurisdiction to jurisdiction.

Roberts-Gordon shall not be responsible for failure to perform under the terms of this warranty if caused by circumstances out of its control, including but not limited to war, fire, flood, strike, government or court orders, acts of God, terrorism, unavailability of supplies, parts or power. No person is authorized to assume for Roberts-Gordon any other warranty, obligation or liability.

LIMITATIONS ON AUTHORITY OF REPRESENTATIVES:

No representative of Roberts-Gordon, other than an Executive Officer, has authority to change or extend these provisions. Changes or extensions shall be binding only if confirmed in writing by Roberts-Gordon's duly authorized Executive Officer.

Attach this information to the wall near the ROBERTS GORDON® heater



Read the Installation, Operation and Service Manual thoroughly before installation, operation or service.

OPERATING INSTRUCTIONS

1. STOP! Read all safety instructions on this information sheet.
2. Open the manual gas valve in the heater supply line.
3. Turn on electric power to the heater.
4. Set the thermostat to desired setting (above ambient temperature).
The automatic starting sequence begins.

TO TURN OFF THE HEATER

1. Turn the thermostat/time switch to 'OFF' or lowest setting. The burner will turn 'OFF' immediately, but fans will continue to cool heat exchanger until the fan thermostat switches off.

IF THE HEATER WILL NOT OPERATE, TO ENSURE YOUR SAFETY, FOLLOW THESE INSTRUCTIONS TO SHUT DOWN YOUR HEATER

1. Set the thermostat to off or the lowest setting.
2. Turn off electric power to the heater.
3. Turn off the manual gas valve in the heater supply line.
4. Call your installer/contractor qualified in the installation and service of gas-fired heating equipment.

⚠ WARNING



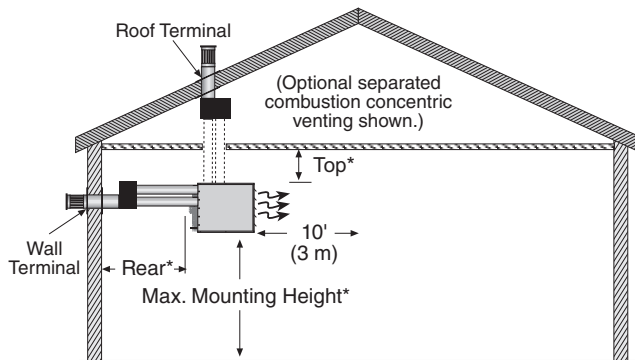
Fire Hazard

Some objects can catch fire or explode when placed close to heater.

Keep all flammable objects, liquids and vapors the required clearances to combustibles away from heater.

Failure to follow these instructions can result in death, injury or property damage.

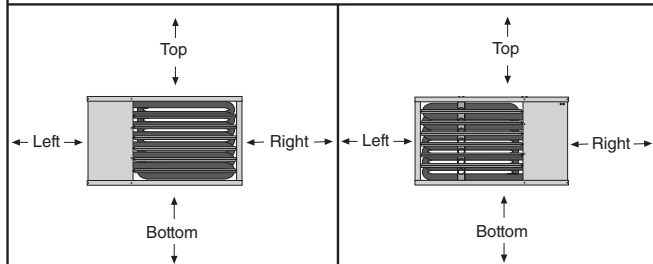
Installation Clearances



*Models	30 - 125	150 - 400
Top	1" (2.5 cm)	6" (15 cm)
Rear	18" (46 cm)	24" (61 cm)
Max Mounting Height ¹	12' (3.7 m) - 20' (6 m)	20' (6 m) - 30' (9 m)

¹Heaters can be mounted higher if destratification fans are installed. See Installation, Operation and Service Manual for specific mounting height recommendations.
NOTE: Venting directly from top of heater not applicable on Models 150-400.

Clearances to Combustibles



Models 30 - 125

Models 150 - 400

Models	30 - 125	150 - 400
Top	1" (2.5 cm)	6" (15 cm)
Bottom	0" (0 cm)	3" (8 cm)
Right	1" (2.5 cm)	31" (79 cm)*
Left	18" (46 cm)*	6" (15 cm)
Vent	2" (5 cm)	2" (5 cm)

* Clearance needed for servicing.

Roberts-Gordon, LLC

1250 William Street
P.O. Box 44
Buffalo, NY 14240-0044 USA

Telephone: 716.852.4400
Fax: 716.852.0854
Toll Free: 800.828.7450

Installation Code and Annual Inspections:

All installations and service of ROBERTS GORDON® equipment must be performed by a contractor qualified in the installation and service of equipment sold and supplied by Roberts-Gordon and conform to all requirements set forth in the ROBERTS GORDON® manuals and all applicable governmental authorities pertaining to the installation, service and operation of the equipment. To help facilitate optimum performance and safety, Roberts-Gordon recommends that a qualified contractor annually inspect your ROBERTS GORDON® equipment and perform service where necessary, using only replacement parts sold and supplied by Roberts-Gordon.

For installations at elevations above 2000' (610 m), the appliance shall be derated 4% for each 1000' (305 m) of elevation above sea level.

Further Information: Applications, engineering and detailed guidance on systems design, installation and equipment performance is available through ROBERTS GORDON® representatives. Please contact us for any further information you may require, including the Installation, Operation and Service Manual.

Models 100-400 are not for residential use.