

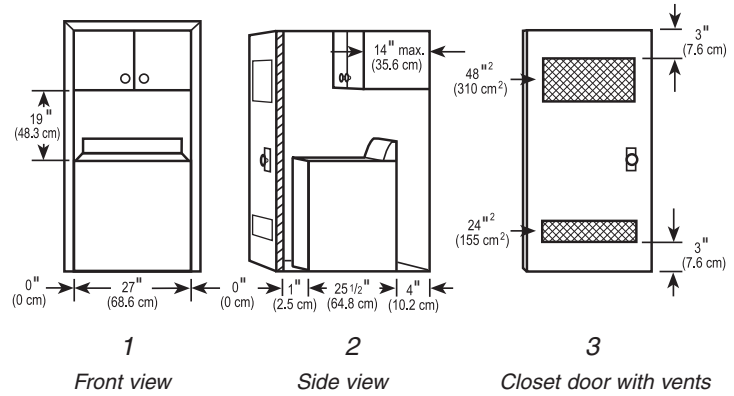
## PRODUCT MODEL NUMBERS

RTW4100S  
RTW4305V

**Electrical:** A 120-volt, 60-Hz, AC-only, 15- or 20-amp, fused electrical supply is required. A time-delay fuse or circuit breaker is recommended. It is recommended that a separate circuit serving only this appliance be provided.

## RECESSED AREA OR CLOSET INSTALLATION

If a closet door is installed, the minimum ventilation openings in the top and bottom of the door are required (view 3). Louvered doors with equivalent air ventilation openings in the top and bottom are acceptable.



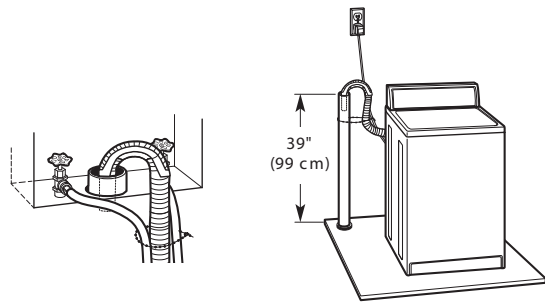
## DRAIN SYSTEM OPTIONS

### Standpipe drain system - wall or floor (view 1 & 2)

The standpipe drain requires a minimum diameter standpipe of 2" (5 cm). The minimum carry-away capacity can be no less than 17 gal. (64 L) per minute.

The top of the standpipe must be at least 39" (99 cm) high and no higher than 96" (244 cm) from the bottom of the washer.

**IMPORTANT:** To avoid siphoning, no more than 8" (20.3 cm) of drain hose should be inside the standpipe.

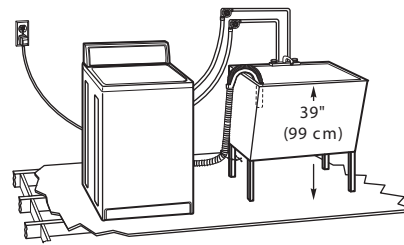


1

2

### Laundry tub drain system (view 3)

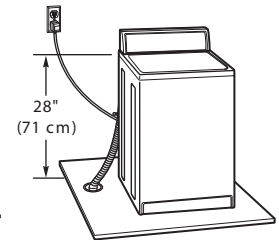
The laundry tub needs a minimum 20 gal. (76 L) capacity. The top of the laundry tub must be at least 39" (99 cm) above the floor and no higher than 96" (244 cm) from the bottom of the washer.



3

### Floor drain system (view 4)

The floor drain system requires a siphon break that may be purchased separately. The siphon break must be a minimum of 28" (71 cm) from the bottom of the washer. Additional hoses might be needed.



4