



LiftMaster®

WATERPROOF KEYPAD/PROXIMITY READER

MODEL KPR2000

TABLE OF CONTENTS

INTRODUCTION	2	PROGRAMMING	5
FEATURES	2	CONFIGURE THE KPR2000.....	5
ACCESSORIES	2	PROGRAM CARDS AND PINS.	6-7
CARTON INVENTORY	2	ALARM.....	8
SPECIFICATIONS	2	SOUND & LIGHT INDICATION.....	8
ONE YEAR LIMITED WARRANTY	2	RESET THE KPR2000	8
INSTALLATION	3	ERASE ALL CODES	8
INSTALL THE KPR2000.	3		
CHOOSE AN OPERATION MODE.	3		
WIRING	4		
WIRE THE KPR2000.....	4		

INTRODUCTION

The LiftMaster KPR2000 is a single entry multi-function Access Controller with integrated keypad and card reader. It is designed and manufactured to perform in a wide range of indoor, outdoor, and harsh environments.

The KPR2000 supports up to 2000 users in multiple access configurations (Card Only, Card or PIN, or Card + PIN). The built in 125 KHz card reader supports HID 26 bit Wiegand and 30 bit Sentex Wiegand proximity card formats. The KPR2000 offers advanced programming features like; block enrollment, advanced relay programming, and Panic PINs/Cards (which open the entry and set off the alarm).

Features

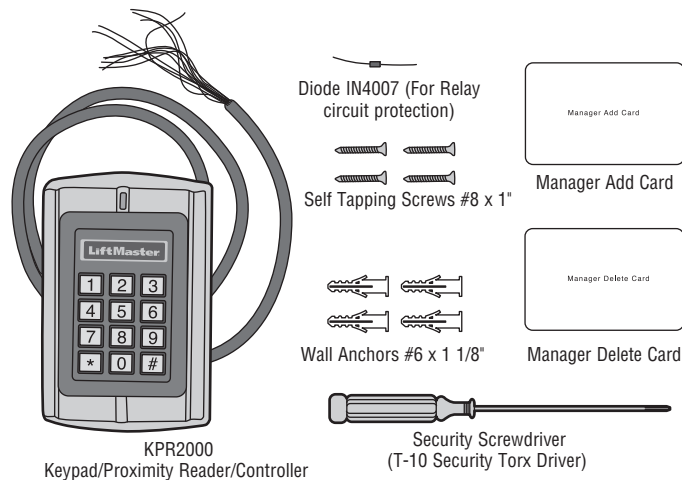
- Waterproof (IP68) (meets or exceeds N4)
- Vandal Resistant Enclosure
- Backlit Keypad
- Multi-color LED status display
- Integrated Alarm Buzzer & Output
- One Programmable Relay Output
- Stand Alone or Pass-Through Operation
- 2000 Users (Card/PIN/Card+PIN)
- Low power consumption (50mA)
- Anti-Tamper Alarm
- Latch Mode to hold door or gate open
- Two Keypad Operating Modes

Accessories

- Model PEDS44 Low Profile Access Pedestal
- Model PEDAD 4 x 4 Pedestal Adaptor
- Model PED42 Standard Pedestal
- Model PS12V2A 12 Vdc, 2 Amp Power Supply

Carton Inventory

NOT SHOWN: User's Manual



Specifications

User Capacity	2000 User ID's with card and/or PINS
Operating Voltage	12 ~ 24 Vdc
Idle Current	~ 50mA
Active Current	~ 80mA
Keypad	12 Key (3x4)
Two output formats: 26 bit Wiegand Card keypad mode	
8 bit ASCII keypad mode	
Proximity Card Reader	HID 26 bit and 30 bit (Sentex)
Radio Technology	125 KHz Industry Standard Proximity Card
Read Range	1 inch - 2.5 inches
Wiring Connections	Relay Output, REX, DOTL, Alarm, Wiegand (in/out)
Relay	One (NO, NC, Common)
Adjustable Relay Output Time	1 ~ 99 Seconds (5 seconds default)
Adjustable Auxiliary Alarm Output Time	0 ~ 3 Minutes (1 minute default)
Lock Output Load	2 Amp Maximum
Auxiliary Alarm Output Load	10 Amp Maximum
Wiegand Interface	HID Wiegand 26 and 30 bit Format Input & Output
Environment	Meets or exceeds IP68
Operating Temperature	-20°C ~ 60°C, or -4°F ~ 140°F
Operating Humidity	10% ~ 90% Non-Condensing
Physical	Zinc-Alloy Enclosure
Surface Finish	Powder Coat
Dimensions	L:128mm x W:82mm x D:28mm
Unit Weight	1 Pound
Shipping Weight	1.4 Pounds

One Year Limited Warranty

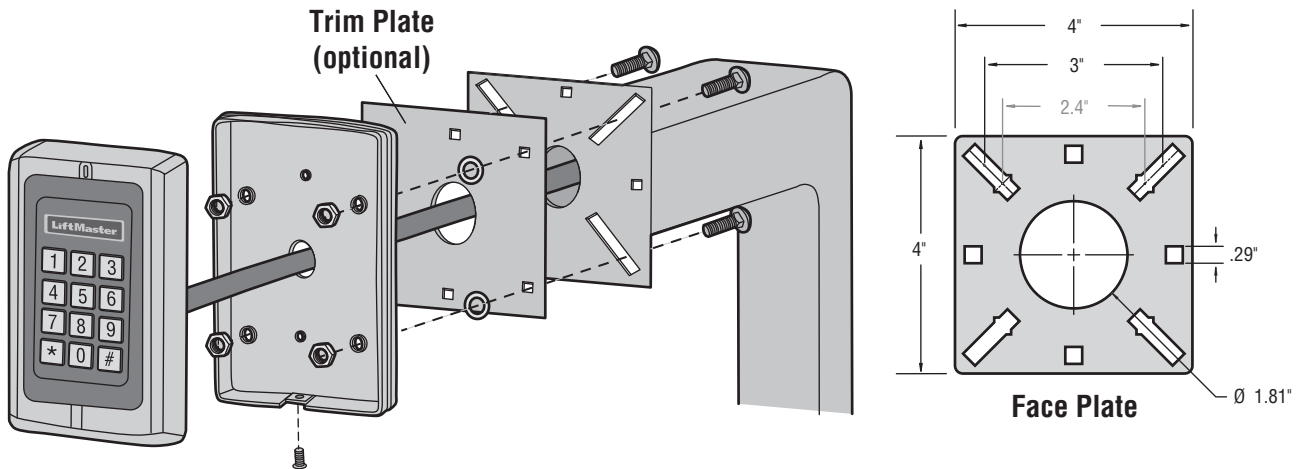
The Chamberlain Group, Inc. warrants to the first consumer purchaser of this product that it is free from defect in materials and/or workmanship for a period of 1 year from the date of purchase.

This device complies with Part 15 of the FCC rules. Operation is subject to the following two conditions: (1) This device may not cause harmful interference, and (2) this device must accept any interference received, including interference that may cause undesired operation.

INSTALLATION

1 Install the KPR2000.

Fits a standard single outlet box, or a 2.4" square pedestal mount.



2 Choose an Operation Mode.

STAND ALONE OPERATION

The KPR2000 functions as a complete access control system. The user database is stored in non-volatile memory, reads the PINs and card codes, performs the authentication, and grants and monitors access to the property or device. In Stand Alone Operation there are three different Access Configurations listed below:

- **Card or PIN (Default):** The User must present a valid Wiegand Card to the KPR2000 or enter their PIN code followed by the # key, in order to be granted access.
- **Card Only:** The User must present a valid Wiegand Card to the KPR2000 in order to be granted access. The facility code and the ID number are both read and validated as one block of Wiegand data.
- **Card + PIN:** The User must first present a valid Wiegand Card to the KPR2000 and then enter their PIN code followed by the # key, in order to be granted access.

PASS-THROUGH OPERATION

The KPR2000 passes all keypad and card reader Wiegand data to an external controller. The KPR2000 should be in the "Card or PIN" access configuration for pass-through operation. In this mode the LED will stay red, and the KPR2000 will beep 3 times when credentials are presented that are authenticated to the external controller. To change this mode and allow the KPR2000 to flash the green LED, and beep 1 time, the KPR2000 will have to learn the same credentials as the external controller.

IMPORTANT NOTE: Both modes of operation support Auto User ID generation (simplest method) and manual entry of user ID.

KEYPAD OPERATION

The KPR2000 keypad may output an 8 bit ASCII code every keystroke, or output a 26 bit Wiegand card packet with a facility code and a 4-5 digit card number when the # key is pressed. See configuration options on page 5.

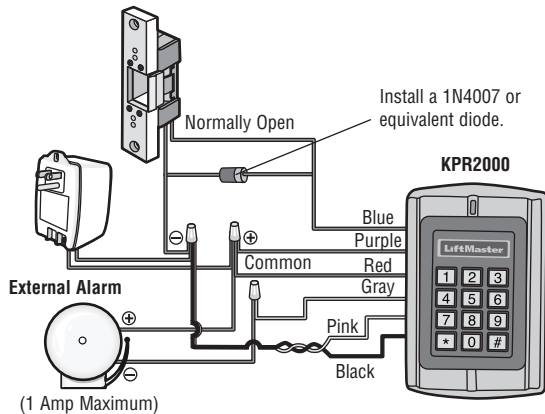
WIRING

3 Wire the KPR2000.

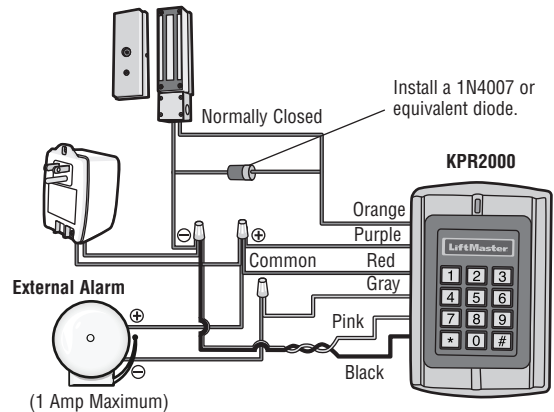
Wire Insulation Color	Wiring Function	Notes
Basic Stand Alone Wiring		
Red	Power +	12~24 Volts DC Regulated Power Input
Black	Power -	12~24 Volts DC Regulated Power Input
Pink	Power -	Ground Conductor
Blue	Relay NO	Normally Open Relay Output (Install diode provided)
Purple	Relay Common	Common Connection for Relay Output
Orange	Relay NC	Normally Closed Relay Output (Install diode provided)
Pass-Through Wiring (Wiegand Master and Remote)		
Green	Data 0	Wiegand Output (Pass-through)/Input (Stand Alone) Data 0
White	Data 1	Wiegand Output (Pass-through)/Input (Stand Alone) Data 1
Pink	Ground	Connect to ground to ensure proper alarm output operation
Advanced Input and Output Features		
Yellow	REX	Request To Exit (REX) Input
Gray	Alarm Output	Negative contact for Alarm
Brown	Contact Input	Door/Gate Contact Input (Normally Closed)

WIRING EXAMPLES:

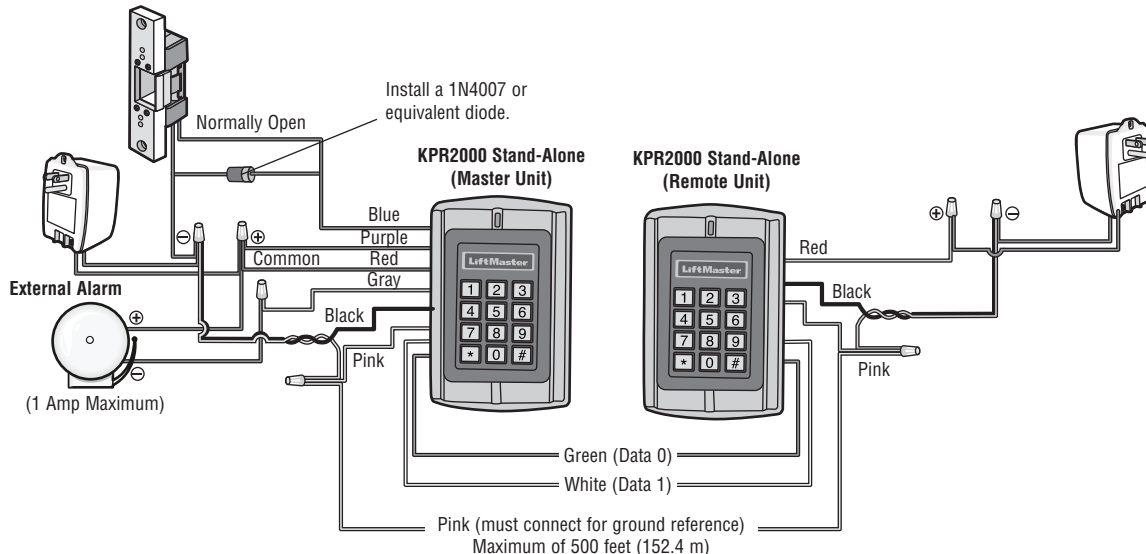
Gate/Door Operator or Fail-Secure Strike



Magnetic Lock or Fail-Safe Strike



Networking Two KPR2000 Units or Connecting to an Access Control System



PROGRAMMING

4 Configure the KPR2000.

Change the configure settings according to your application (optional). Multiple configuration settings can be changed at one time: enter program mode, change desired settings, then exit program mode.

SET MASTER CODE

The 6 digit Master Code is used to prevent unauthorized access to the system. To interface with the KPR2000, the manager will need a Master Code (factory default code: 888888). We highly recommend immediate update and recording of your Master Code.

Programming Step	Keystroke Combination
1. Enter Program Mode	* (Master Code) #
2. Update Master Code	0 (New Code) # (New Code) #
3. Exit Program Mode	*

SET ACCESS CONFIGURATION

There are 3 types of access configurations for the KPR2000:

- **Card or PIN (Default):** The User must present a valid Wiegand Card to the KPR2000 or enter their PIN code followed by the # key, in order to be granted access.
- **Card Only:** The User must present a valid Wiegand Card to the KPR2000 in order to be granted access. The facility code and the ID number are both read and validated as one block of Wiegand data.
- **Card + PIN:** The User must first present a valid Wiegand Card to the KPR2000 and then enter their PIN code followed by the # key, in order to be granted access.

Programming Step	Keystroke Combination
1. Enter Program Mode	* (Master Code) #
2. Card Only OR 2. Card + PIN OR 2. Card or PIN	3 0 # 3 1 # 3 2 #
3. Exit Program Mode	*

SET RELAY CONFIGURATION

The relay configuration sets the behavior of the output relay on activation.

Programming Step	Keystroke Combination
1. Enter Program Mode	* (Master Code) #
2. Pulse Mode OR 2. Latch Mode	4 (1-99) # <i>The relay time is 1-99 seconds (default is 5 seconds)</i> 4 0 # <i>Sets the relay to ON/OFF latch mode</i>
3. Exit Program Mode	*

SET WIEGAND INPUT/OUTPUT OPTIONS

The KPR2000 offers input and output for industry standard Wiegand devices (refer to Specifications). Default is HID 26 bit.

Programming Step	Keystroke Combination
1. Enter Program Mode	* (Master Code) #
2. Set Wiegand Format	9 (Bit Format) # <i>Bit Format = Valid 2 digit format (example: 26 or 30)</i>
3. Exit Program Mode	*

SET DOOR OPEN TOO LONG (DOTL) OR FORCED ALARM

This setting enables both DOTL and Door Forced Alarms and requires an external sensor input. The Door Forced alarm output timing can be set from 1-3 minutes (default is 1 minute). The Door Open Too Long (DOTL) timing is fixed to 1 minute and only sounds the built in buzzer. Factory default is OFF.

Programming Step	Keystroke Combination
1. Enter Program Mode	* (Master Code) #
2. DOTL /Door Forced Alarm OFF OR 2. DOTL /Door Forced Alarm ON	6 0 # 6 1 # <i>(DOTL: Alarm sounds for 1 minute. Door Forced: Alarm sounds for 1-3 minutes and enables alarm output.)</i>
2. Door Forced Output Timing	9 (1-3) #
3. Exit Program Mode	*

SET STRIKE-OUT ALARM

The strike-out alarm will engage after 10 failed card/PIN attempts in a ten minute period. Factory default is OFF. The strike-out alarm can be set to deny access for 10 minutes or it can be set to operate the alarm for 10 minutes. **NOTE:** Enter Master Code or Valid Card to silence all alarm outputs.

Programming Step	Keystroke Combination
1. Enter Program Mode	* (Master Code) #
2. Strike-Out Alarm OFF OR 2. Strike-Out ON OR 2. Strike-Out Alarm ON	7 0 # <i>(Factory default)</i> 7 1 # <i>Access will be denied for 10 minutes</i> 7 2 #
3. Exit Program Mode	*

SET AUDIBLE AND VISUAL RESPONSE

Factory default is ON.

Programming Step	Keystroke Combination	
1. Enter Program Mode	* (Master Code) #	
2. Control Backlight OR 2. Control LED OR 2. Control Sounds	ON = 7 5 # ON = 7 7 # ON = 7 9 #	OFF = 7 4 # OFF = 7 6 # OFF = 7 8 #
3. Exit Program Mode	*	

SET WIEGAND KEYPAD MODE

Programming Step	Keystroke Combination
1. Enter Program Mode	* (Master Code) #
2. Set Keypad Mode OR 2. Set Keypad Mode	6 2 # <i>ASCII Keypad Mode</i> 6 3 # <i>26 bit Card Keypad Mode (factory default)</i>
3. Exit Program Mode	*

SET 26 BIT FORMAT FACILITY CODE

Programming Step	Keystroke Combination
1. Enter Program Mode	* (Master Code) #
2. Set Facility Code	8 0 # <i>Ignores facility code (Factory default)</i> 8 (Facility Code) # <i>(1 - 255)</i>
3. Exit Program Mode	*

PROGRAMMING

5 Program Cards and PINS.

Programming will vary depending on the access configuration. Follow the instructions according to your access configuration.

GENERAL PROGRAMMING INFORMATION

- **User ID Number:** Assign a user ID number to the access code in order to keep track of the users of access cards or PINS. The user ID number can be any number from 1-2000. **IMPORTANT:** *User IDs do not have to be preceded with any leading zeros. Recording of User ID is critical. Modifications to user data require either the card or the User ID be available.*
- **Proximity Card:** Any 125 KHz industry standard 26 bit Wiegand Proximity Card, or 30 bit Sentex Proximity Card.
- **Keypad PIN:** The PIN can be any 4 - 5 digits between 0000 - 65535 (except 1234 which is reserved for factory testing). **IMPORTANT:** *PINs less than 1000 must be preceded with leading zeros. PINs greater than 9999 do not require any leading zeros.*
- All card users are automatically assigned a default PIN of 1234 that must be changed to be activated.

ACCESS CONFIGURATION: CARD OR PIN, CARD + PIN, & CARD ONLY

ADD USER CARD(S)

Programming Step	Keystroke Combination
1. Enter Program Mode	* (Master Code) #
2. Add Card: Using Auto ID <i>(Allows KPR2000 to assign Card to next available User ID number)</i> OR 2. Add Card: Select Specific ID <i>(Allows manager to define a specific User ID to associate the card to)</i> OR 2. Add Card: Block Learn <i>(Allows manager to add up to 2000 cards to the KPR2000 in a single step †). Takes 2 minutes to program.</i>	1 (Read Card) # <i>Repeat Step 2 for additional user cards</i> <i>See Notes 1 and 2.</i> 1 (User ID) # (Read Card) # <i>See Notes 1 and 2.</i> 5 (User ID) # (The first card number) # (Card Quantity) # <i>Card quantity = number of cards to be enrolled</i>
3. Exit Program Mode	*

DELETE USER CARD(S)

Programming Step	Keystroke Combination
1. Enter Program Mode	* (Master Code) #
2. Delete Card - By User ID OR 2. Delete Card - By Card OR 2. Delete Card -By Card Number	2 (User ID) # <i>Deleting by User ID number will clear cards and PINs</i> 2 (Read Card) # <i>Requires the user card. Deletes ONLY the card number</i> 2 (Card Number) # <i>Deletes ONLY the card number †</i>
3. Exit Program Mode	*

† BLOCK LEARN DIRECT ENTRY

Format for programming specific Card Numbers: Facility Code + Serial Number (including leading 0's) Example: FAC- 24, SN- 100 would be entered as:

26 Bit: 02400100

30 Bit: 0000000100

Only the Serial Number is validated for 30 bit cards.

ADD OR DELETE A PIN

A PIN may be programmed to a separate or an existing user ID. PINs programmed separately will use additional memory.

Programming Step	Keystroke Combination
1. Enter Program Mode	* (Master Code) #
2. Add a PIN <i>Assigns PIN to user ID number</i> OR 2. Delete a PIN <i>Deletes the User ID number and associated PIN</i>	1 (User ID) # (PIN) # <i>Repeat Step 2 for additional PINs</i> <i>See Notes 1 and 2.</i> 2 (User ID) # <i>Repeat Step 2 for additional PINs</i> <i>See Notes 1 and 2.</i>
3. Exit Program Mode	*

CHANGE A PIN

Allows card user to update a previously set PIN for a card & PIN or card + PIN User ID. Default PIN codes (1234) can only be changed by using Change PIN using a card. **NOTE:** *This operation is executed from outside of Program Mode.*

Programming Step	Keystroke Combination
1. Change a PIN using a Card OR 1. Change PIN using PIN	* (Read Card) (Old PIN) # (New PIN) # (New PIN) # * (User ID) # (Old PIN) # (New PIN) # (New PIN) #

NOTE 1:

When assigning a user both a card and a PIN, the card MUST be assigned first. After the card is assigned, the user must change the PIN using card to activate the PIN for this user. If the PIN is assigned first, a second user ID must be used to assign the card.

NOTE 2:

When adding or deleting multiple users sequentially, the program command (1 or 2, respectively) is entered only once at the beginning of the procedure. For additional users, enter the user ID and credentials only in the same order as the first entry.

EXAMPLE:

To Add Multiple Users

Programming Step	Keystroke Combination
1. Enter Program Mode	* (Master Code) #
2. Add multiple users	1 (User ID 1) # (PIN1) #, (User ID 2) # (PIN2) #, . (User ID 10) # (PIN10) #
3. Exit Program Mode	*

ACCESS CONFIGURATION: CARD ONLY

USING MANAGER CARDS

KPR2000 managers can use manager cards to program user cards into and out of the system. There are two pre-programmed manager cards (an Add Card, and a Delete Card) to allow rapid card enrollment. This is a form of Auto User ID enrollment and is only available in “Card Only” configuration.

Programming Step	Keystroke Combination
Add a User Card	1. (Read Manager Add Card) 2. (Read User Card) <i>Repeat Step 2 for additional user cards</i> 3. (Read Manager Add Card)
Delete a User Card	1. (Read Manager Delete Card) 2. (Read User Card) <i>Repeat Step 2 for additional user cards</i> 3. (Read Manager Delete Card)

PROGRAMMING

Alarm

TO RESET THE ALARM

Programming Step	Keystroke Combination
To reset the door forced open warning	(Read valid card) OR (Master Code) #
To reset the door open too long (DOTL) warning	(Read valid card) OR (Master Code) #

ANTI-TAMPER ALARM

The KPR2000 uses an optical sensor as the input for its internal alarm. If the case is opened while the KPR2000 is powered, the alarm will operate. Enter Master Code or a valid card to silence all alarm outputs.

Reset the KPR2000

This will reset the KPR2000 to the factory default but all card/PIN information will still be retained. This will also require reprogramming of the Master Add and Delete Cards. **NOTE:** This is useful if the original Master Add and Delete Cards have been lost.

1. Power the KPR2000 down.
2. Press and hold the * button while power is restored to the KPR2000.
3. Release the button and wait until the amber LED shines.
4. Present any 26 bit proximity card or the Manager Add Card (provided) to the KPR2000. This card is now the Manager Add Card.
5. Present any 26 bit proximity card or the Manager Delete Card (provided) to the KPR2000. This card is now the Manager Delete Card.

When the red LED begins to blink, the KPR2000 has been successfully reset.

Erase all Codes

This will delete ALL User data.

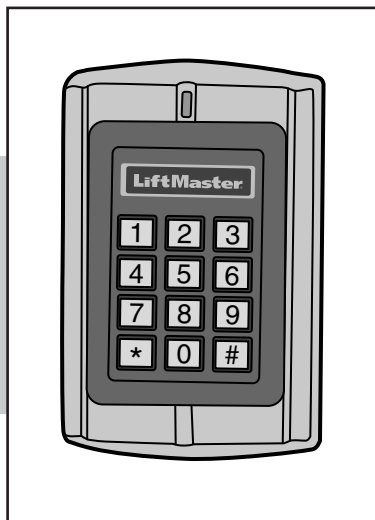
1. Enter Program Mode by pressing: * (Master Code) #.
2. Press 2 0000 #.

All configuration data is retained.

Sound & Light Indication

Operation Status	Red LED	Green LED	Amber LED	Sounds
Power On	Flashing			Short Single Beep
Standby	Flashing			
Press Keypad	Flashing			Short Single Beep
5 Second Time-out	Flashing			3 Short Beeps
Enter Master Code Entry Mode	ON			Short Single Beep
In Program Mode	ON	Single Flash		Short Single Beep
Entered Single Program Step Successfully	ON	Single Flash		Short Single Beep
Entered Continuous Program Step Successfully		Single Flash	ON	Short Single Beep
Entered Program Step Incorrectly			ON	3 Short Beeps
Exited from Program Mode	Flashing			Short Single Beep
Entry Granted		ON		Short Single Beep
Alarm Mode Engaged	Flashing			Alarm
Pressing * Toggles Standby/Master Code Entry	ON/Flashing			Short Single Beep

**FOR TECHNICAL SUPPORT DIAL OUR TOLL FREE NUMBER:
1-800-528-2806**



LiftMaster®

CLAVIER IMPERMÉABLE/LECTEUR DE PROXIMITÉ

MODÈLE KPR2000

TABLE DES MATIÈRES

INTRODUCTION	2
CARACTÉRISTIQUES	2
ACCESSOIRES	2
CONTENU DU CARTON D'EXPÉDITION	2
SPÉCIFICATIONS	2
GARANTIE LIMITÉE D'UN AN	2
INSTALLATION	3
INSTALLATION DU KPR2000	3
CHOISIR UN MODE DE FONCTIONNEMENT	3
CÂBLAGE	4
CONNEXION DU KPR2000	4

PROGRAMMATION	5
CONFIGURATION DU KPR2000	5
PROGRAMMATION DES CARTES ET DES NIP	6
ALARME	8
SIGNAUX SONORES ET VOYANTS	8
RÉINITIALISATION DU KPR2000	8
EFFACEMENT DE TOUS LES CODES	8

INTRODUCTION

Le LiftMaster KPR2000 est un contrôleur d'accès à porte d'entrée unique multifonctions et muni d'un clavier intégré et d'un lecteur de carte. Il est conçu et fabriqué pour fonctionner dans de nombreux environnements intérieurs, extérieurs et hostiles.

Le KPR2000 supporte jusqu'à 2000 usagés qui utilisent des configurations multiples d'accès (carte seule, carte ou NIP, ou carte et NIP). Le liseur de cartes intégré à 125 KHz accepte les formats des cartes de proximité HID 26 bit Weigand et des cartes de proximité Sentex Weigand. Le KPR2000 offre des caractéristiques de programmation avancées, telles que l'initialisation du bloc de données, la programmation avancée de relais ainsi que des codes d'urgence cartes/NIP (pour l'ouverture de la porte d'entrée et le déclenchement de l'alarme).

Caractéristiques

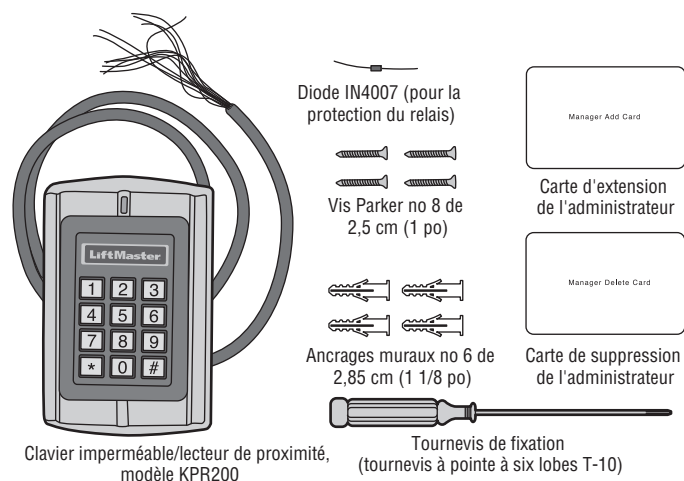
- Imperméable (IP68) (rencontre ou excède la norme N4)
- Enceinte anti-vandalisme
- Clavier illuminé
- Afficheur à DEL multicolore
- Alarme et sortie d'alarme intégrées
- Relais de sortie programmable (1)
- Mode de fonctionnement autonome ou en sas
- 2000 usagés (Carte/NIP/Carte et NIP)
- Faible consommation d'électricité (50 mA)
- Alarme anti-piratage
- Mode verrouillage pour maintenir la porte ou le portail ouverts
- Deux modes de fonctionnement du clavier

Accessoires

- Piédestal pour carte d'accès demi-hauteur, modèle PEDS44
- Adaptateur sur pied de 1,22 m x 1,22 m (4 pi x 4 pi), modèle PEDAD
- Modèle standard PED42 pied
- Alimentation électrique de 12 V c.c., 2 A., modèle PS12V2A

Contenu du carton d'expédition

NON ILLUSTRÉ : Guide de l'utilisateur



Spécifications

Capacité du dispositif	ID 2000 utilisateurs de carte avec et / ou NIPS
Tension de fonctionnement	12 à 24 V c.c.
Courant de repos	environ 50 mA
Courant actif	environ 80 mA
Clavier	à 12 clés de 7,60 cm x 10 cm (3 po x 4 po)
Deux formats de sortie :	Mode clavier 26 bits Weigand carte 8 mode clavier bit ASCII
Lecteur de proximité	Formats de sorties HID Weigand 26 et 30 bits (Sentex)
Technologie radio	Lecteur de proximité de 125 KHz conforme aux normes de l'industrie
Portée de lecture	de 2,5 cm à 6,35 cm (1 po à 2,5 po)
Fils de câblage	Relais de sortie, REX, DOTL, alarme, entrées et sorties Weigand
Relais	(FERMÉ (NO), NORMALEMENT FERMÉ (NC), USUEL (COMMON))
Délai réglable du relais de sortie	1 à 99 seconds (5 secondes par défaut)
Délai réglable de la sortie d'alarme	0 à 3 minutes (1 minute par défaut)
Densité linéique de verrouillage	2 A. maximum
Densité linéique de la sortie d'alarme	10 A. maximum
Format Weigand	Format d'entrées et de sorties HID Weigand 26 et 30 bits
Environnement	Rencontre ou excède la norme IP68
Température de fonctionnement	-20 °C à 60 °C (-4 °F à 140 °F)
Taux d'humidité	10% à 90% sans condensation
Caractéristiques physiques	Enceinte en alliage de zinc
Surface	Revêtement par pulvérisation
Dimensions	128 mm (long.) x 82 mm (larg.) x 28 mm (prof.)
Poids de l'unité	0,45 kg (1 lb)
Poids à l'expédition	0,64 kg (1,4 lb)

GARANTIE LIMITÉE D'UN AN

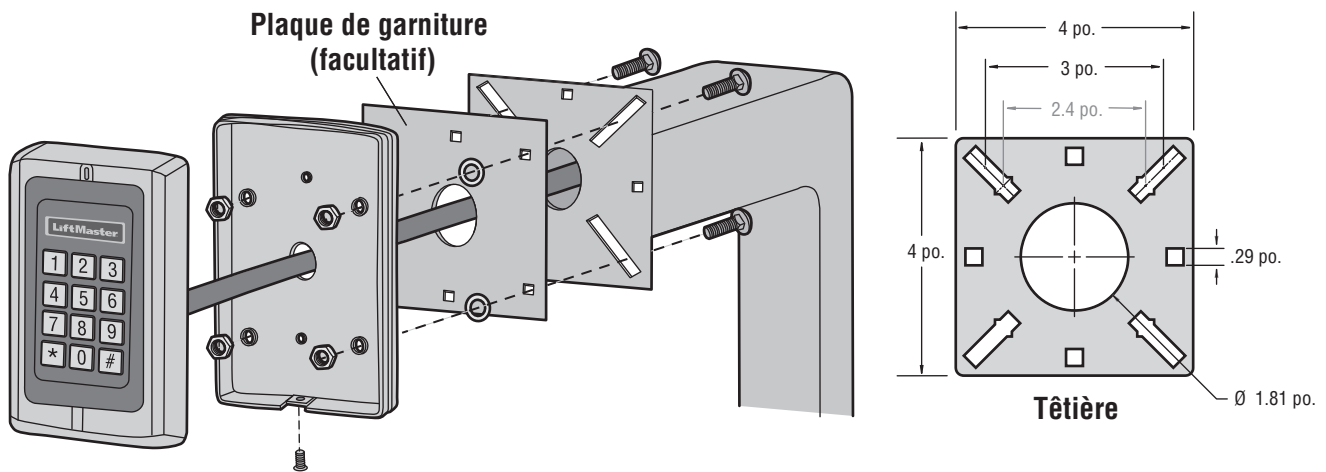
La société Chamberlain Group, Inc. garantit à l'acheteur initial que le produit est exempt de tout défaut de matériaux ou de fabrication pendant une période d'un an à compter de la date d'achat.

Cet appareil est conforme aux dispositions de la partie 15 du règlement de la FCC. Son utilisation est assujettie aux deux conditions suivantes : (1) ce dispositif ne peut causer des interférences nuisibles, et (2) ce dispositif doit accepter toute interférence reçue, y compris une interférence pouvant causer un fonctionnement non souhaité.

INSTALLATION

1 Installation du KPR2000.

Convient une boîte de sortie standard unique , ou un " socle carré 2,4 monter.



2 Choisir un mode de fonctionnement.

MODE DE FONCTIONNEMENT AUTONOME

Le KPR2000 est un système de contrôle d'accès complet. La base de données de l'utilisateur est stockée dans une mémoire non volatile qui lit les NIP et les codes de cartes, effectue l'authentification et autorise et surveille l'accès aux caractéristiques et à l'appareil. Le mode de fonctionnement autonome est muni de trois configurations de l'accès suivantes :

- **Carte ou NIP (par défaut)** : L'utilisateur doit d'abord insérer une carte Wiegand valide dans le KPR2000 ou entrer son NIP suivi de la touche Carré pour se voir autoriser l'accès.
- **Carte seule** : L'utilisateur doit insérer une carte Wiegand valide dans le KPR2000 pour se voir autoriser l'accès. Le code d'installation et le numéro d'identification sont tous deux lus et validés comme un bloc de données Wiegand.
- **Carte et NIP** : L'utilisateur doit d'abord insérer une carte Wiegand valide dans le KPR2000 et entrer son NIP suivi de la touche Carré pour se voir autoriser l'accès.

MODE SAS

Le KPR2000 passe toutes les données Wiegand clavier et lecteur de carte à un contrôleur externe. Le KPR2000 devrait être dans la "Carte ou PIN " configuration d'accès pour l'opération pass-through. Dans ce mode, la LED restera rouge, et le KPR2000 émet 3 bips lorsque les informations d'identification sont présentées que sont authentifiées au contrôleur externe. Pour changer ce mode et permet la KPR2000 à clignoter la LED verte et un bip 1 fois, la KPR2000 devra apprendre les mêmes informations que le contrôleur externe.

NOTE IMPORTANTE : Les deux modes de fonctionnement supportent la saisie automatique (méthode la plus simple) et la saisie manuelle du numéro d'utilisateur.

FONCTIONNEMENT DU CLAVIER

Le clavier KPR2000 peut émettre un code ASCII 8 bits chaque frappe, ou sortie un paquet de cartes de Wiegand 26 bits avec un code de service et un numéro de carte 4-5 chiffres lorsque la touche # est pressée. Voir les options de configuration à la page 5.

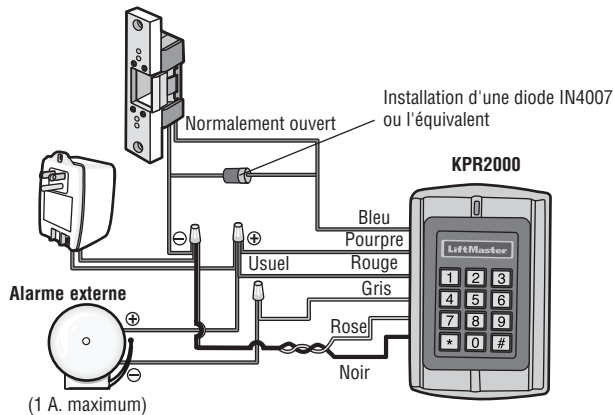
CÂBLAGE

3 Connection du KPR2000.

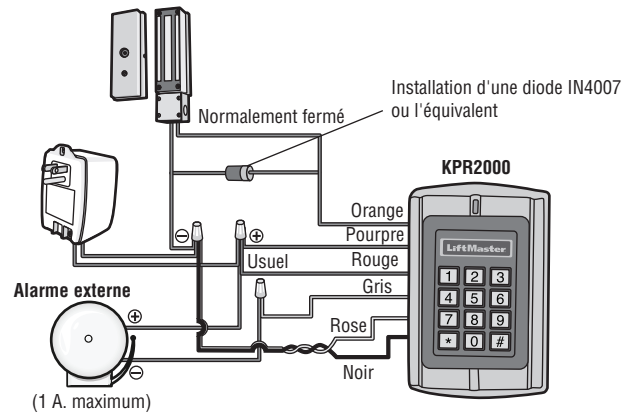
Couleurs de l'isolation des fils de câblage	Connection	Notes
Connection de base autonome		
Rouge	Tension positive (+)	Consommation de puissance stabilisée entre 12 et 24 V c.c.
Noir	Tension négative (-)	Consommation de puissance stabilisée entre 12 et 24 V c.c.
Rose	Tension négative (-)	Conducteur de mise à la terre
Bleu	AUCUN relais	Relais de sortie normalement ouvert (diode d'installation fournie)
Pourpre	Relais usuel	Connection usuelle pour relais de sortie
Orange	Relais normalement fermé (NC)	Relais de sortie normalement fermé (diode d'installation fournie)
Connexions autonomes (Wiegand principale et télécommandée)		
Vert	Donnée 0	Sortie Wiegand (sas)/Entrée (autonome) - Donnée 0
Blanc	Donnée 1	Sortie Wiegand (sas)/Entrée (autonome) - Donnée 1
Rose	Mise à la terre	Connectez-vous à terre pour assurer le bon fonctionnement de la sortie d'alarme
Caractéristiques avancées d'entrée et de sortie		
Jaune	Demande de sortie (REX)	Entrée « Demande de sortie » (REX)
Gris	Sortie d'alarme	Entrée d'alarme par contact (négative)
Brun	Entrée par contact	Entrée de la porte/du portail par contact (normalement fermée)

EXEMPLES DE CONNEXIONS :

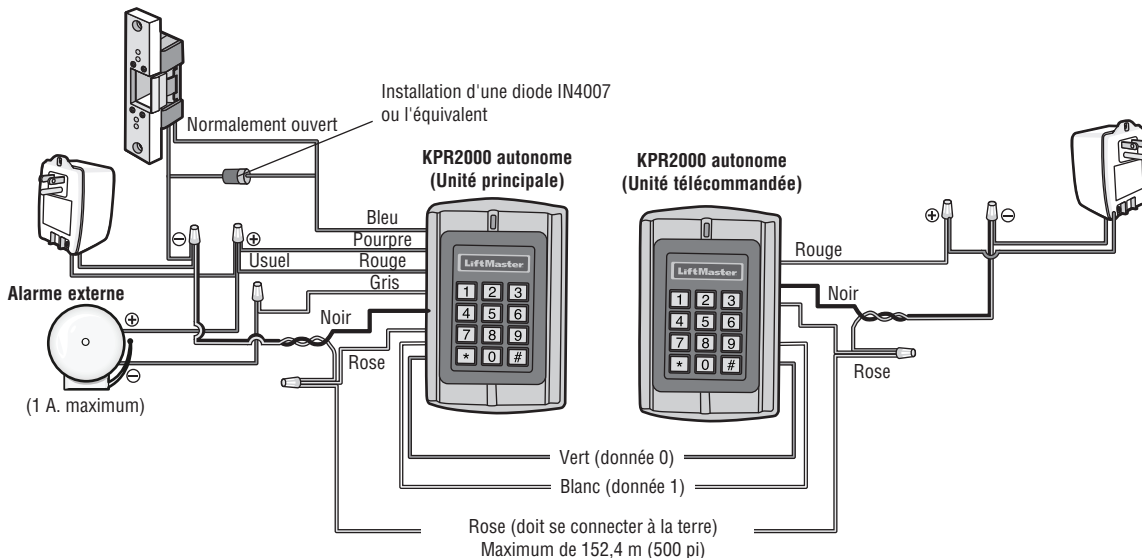
Opérateur de la porte/du portail ou sonnerie d'échec-sécurité



Verrouillage magnétique ou sonnerie d'échec-sécurité



Installation en réseau de 2 unités KPR2000 ou connection à un système de contrôle d'accès.



PROGRAMMATION

4 Configuration du KPR2000.

Changement des paramètres de configuration en fonction de votre logiciel d'application (facultatif). Des paramètres de configurations multiples peuvent être changés en une seule opération : entrez dans le mode utilisateur, changez les paramètres désirés puis sortez du mode utilisateur.

PROGRAMMATION DU CODE MAÎTRE

Le code maître à 6 chiffres est utilisé pour prévenir l'accès non autorisé au système. Pour le connecter au KPR2000, l'administrateur aura besoin du code maître (réglage d'usine : 888888). Nous recommandons fortement de changer et de noter votre code maître.

Étape de la programmation	Configuration du clavier
1. Entrée dans le mode utilisateur	* (Code maître) #
2. Changement du code maître	0 (Nouveau code) # (Nouveau code) #
3. Sortie du mode utilisateur	*

CONFIGURATION DE L'ACCÈS

Le KPR2000 offre trois types de configurations de l'accès :

- **Carte ou NIP (par défaut)** : L'utilisateur doit d'abord insérer une carte Wiegand valide dans le KPR2000 ou entrer son NIP suivi de la touche Carré pour se voir autoriser l'accès.
- **Carte seule** : L'utilisateur doit insérer une carte Wiegand valide dans le KPR2000 pour se voir autoriser l'accès. Le code d'installation et le numéro d'identification sont tous deux lus et validés comme un bloc de données Wiegand.
- **Carte et NIP** : L'utilisateur doit d'abord insérer une carte Wiegand valide dans le KPR2000 et entrer son NIP suivi de la touche Carré pour se voir autoriser l'accès.

Étape de la programmation	Configuration du clavier
1. Entrée dans le mode utilisateur	* (Code maître) #
2. Lecteur seul OU	3 0 #
2. Carte et NIP OU	3 1 #
2. Carte ou NIP	3 2 #
3. Sortie du mode utilisateur	*

CONFIGURATION DU RELAIS

La configuration du relais configure le fonctionnement de la sortie de relais dès l'activation.

Étape de la programmation	Configuration du clavier
1. Entrée dans le mode utilisateur	* (Code maître) #
2. Mode d'action pulsée OU	4 (1-99) # La durée du relais est de 1 à 99 secondes (5 secondes par défaut)
2. Mode de verrouillage	4 0 # Configure le relais en mode de verrouillage FONCTIONNEMENT/ARRÊT
3. Sortie du mode utilisateur	*

CONFIGURATION DES OPTIONS D'ENTRÉE/DE SORTIE WIEGAND

Le KPR2000 offre des options d'entrée et de sortie pour les appareils Wiegand conformes aux normes de l'industrie (consultez les spécifications). Le défaut est HID 26 bits.

Étape de la programmation	Configuration du clavier
1. Entrée dans le mode utilisateur	* (Code maître) #
2. Configuration du format Wiegand	9 (Bit Format) # Format de bit = format valide à deux chiffres (exemple : 26 ou 30)
3. Sortie du mode utilisateur	*

PLACER LA PORTE OUVERTE TROP LONGTEMPS (DOTL) OU FORCÉE ALARME

Ce paramètre permet à la fois DOTL portes et alarmes forcé et nécessite une entrée de capteur externe. Le forcé calendrier de sortie d'alarme de porte peut être réglée de 1-3 minutes (1 minute par défaut). Le calendrier de la porte ouverte trop longtemps (DOTL) est fixé à 1 minute et ne sonne le klaxon intégré. Valeur par défaut est OFF.

Étape de la programmation	Configuration du clavier
1. Entrée dans le mode utilisateur	* (Code maître) #
2. Alarme DOTL/porte forcée en MODE ARRÊT OU	6 0 # 6 1 # (DOTL : L'alarme sonne pendant 1 minute. Porte forcée : l'alarme sonne pendant 1-3 minutes et permet la sortie d'alarme.)
2. Porte activada forcé	9 (1-3) #
3. Sortie du mode utilisateur	*

CONFIGURATION DE L'ALARME DE SUPPRESSION

L'alarme de grève sur engagera après 10 tentatives infructueuses carte / NIP dans une période de dix minutes. Le réglage d'usine par défaut n'est EN ARRÊT. L'alarme de grève sur engagera après 10 tentatives infructueuses carte / NIP dans une période de dix minutes. L'alarme strike- out peut être réglée pour interdire l'accès pendant 10 minutes ou bien il peut être défini pour faire fonctionner l'alarme pendant 10 minutes. **REMARQUE** : Entrez le code maître ou carte valide pour faire taire toutes les sorties d'alarme.

Étape de la programmation	Configuration du clavier
1. Entrée dans le mode utilisateur	* (Code maître) #
2. Sonnerie de suppression - EN ARRÊT OU	7 0 # (Réglage d'usine par défaut)
2. Sonnerie de suppression - EN FONCTION OU	7 1 # L'accès sera refusé pendant 10 minutes
2. Strike- Out alarme ON	7 2 #
3. Sortie du mode utilisateur	*

CONFIGURATION D'UNE RÉPONSE AUDIBLE OU VISUELLE

Le réglage d'usine par défaut est EN FONCTION.

Étape de la programmation	Configuration du clavier	
1. Entrée dans le mode utilisateur	* (Code maître) #	
2. Voyant du panneau de contrôle OU	EN FONCTION = 7 5 #	EN ARRÊT = 7 4 #
2. Voyant de contrôle DEL OU	EN FONCTION = 7 7 #	EN ARRÊT = 7 6 #
2. Contrôle des signaux sonores	EN FONCTION = 7 9 #	EN ARRÊT = 7 8 #
3. Sortie du mode utilisateur	*	

CLAVIER MODE SET WIEGAND

Étape de la programmation	Configuration du clavier
1. Entrée dans le mode utilisateur	* (Code maître) #
2. Mode du clavier Set OU	6 2 # Mode clavier ASCII
2. Mode du clavier Set	6 3 # 26 bits carte mode du clavier (par défaut)
3. Sortie du mode utilisateur	*

SET 26 BIT CODE FORMAT DES INSTALLATIONS

Étape de la programmation	Configuration du clavier
1. Entrée dans le mode utilisateur	* (Code maître) #
2. Code ensemble de l'installation	8 0 # Ignore code site (défaut d'usine) 8 (Code de l'installation) # (1 - 255)
3. Sortie du mode utilisateur	*

PROGRAMMATION

5 Programmation des cartes et des NIP.

La programmation variera en fonction de la configuration de l'accès. Suivez les instructions qui se rapportent à votre configuration de l'accès.

RENSEIGNEMENTS GÉNÉRAUX SUR LA PROGRAMMATION

- **Numéro d'identification de l'utilisateur :** Attribuez un numéro d'identification de l'utilisateur au code d'accès afin d'effectuer le suivi des cartes d'accès et des NIP de tous les utilisateurs. Le numéro d'identification de l'utilisateur peut être n'importe quel chiffre entre 1 et 2000. **NOTE IMPORTANTE :** Les numéros d'identification de l'utilisateur ne nécessitent pas de zéro à gauche. L'enregistrement des numéros d'utilisateurs est cruciale. Les modifications aux données d'utilisateurs exigent soit une carte ou soit un numéro d'identification de l'utilisateur disponible.
- **Lecteur de proximité :** Tout lecteur de proximité de 125 KHz Wiegand 26 bits conforme aux normes de l'industrie.
- **NIP du clavier :** Le NIP peut être composé de n'importe quel nombre de 0000 à 65535 de 4 à 5 chiffres (à l'exception de 1234 qui est réservé pour les tests faits en usine). **NOTE IMPORTANTE :** Les NIP en bas du chiffre 1000 doivent être précédés d'un zéro à gauche. Les NIP en haut du chiffre 9999 ne nécessitent pas de zéro à gauche.
- Tous les utilisateurs de cartes reçoivent automatiquement un code PIN 1234 par défaut qui doit être changée pour être activé.

CONFIGURATION DE L'ACCÈS : CARTE OU NIP, CARTE + NIP, ET CARTE SEULE

AJOUT DE CARTES D'UTILISATEURS

Étape de la programmation	Configuration du clavier
1. Entrée dans le mode utilisateur	* (Code maître) #
2. Ajout d'une carte : Emploi de la saisie automatique du numéro d'identification (permet au KPR2000 d'attribuer une carte au prochain numéro d'identification d'utilisateur disponible)	1 (Lire la carte) # Répétez l'étape 2 pour des cartes d'utilisateurs supplémentaires Voir REMARQUES 1 et 2.
OU	
2. Ajout d'une carte : Sélection d'un numéro d'identification particulier (permet à l'administrateur de définir un numéro d'identification spécifique pour l'associer à la carte)	1 (Numéro d'identification de l'utilisateur) # (Lire la carte) # Voir REMARQUES 1 et 2.
OU	
2. Ajout d'une carte : Apprentissage du bloc de données (permet à l'administrateur de connecter jusqu'à 2000 lecteurs au KPR2000 en une seule étape†). Cette programmation s'exécute en 2 minutes	5 (Numéro d'identification de l'utilisateur) # (Premier chiffre du code) # (Quantité de cartes) # Quantité de cartes = nombre de cartes à être connectées
3. Sortie du mode utilisateur	*

SUPPRESSION DE CODES DE CARTES D'UTILISATEURS

Étape de la programmation	Configuration du clavier
1. Entrée dans le mode utilisateur	* (Code maître) #
2. Suppression d'une carte au moyen du numéro d'identification de l'utilisateur	2 (Numéro d'identification de l'utilisateur) # La suppression du numéro d'identification de l'utilisateur effacera tous les cartes et les NIP
OU	
2. Suppression d'une carte au moyen d'une carte	2 (Lire la carte) # Exige une carte d'utilisateur. Supprime UNIQUEMENT le numéro de la carte
OU	
2. Suppression d'une carte au moyen d'une carte Numéro	2 (Numéro de la carte) # Supprime UNIQUEMENT le numéro de la carte †
3. Sortie du mode utilisateur	*

† COMMANDE DIRECTE DE PROGRAMMATION PAR BLOC

Format pour la programmation de numéros spécifiques de lecteurs : Code d'installation + numéro d'identification (incluant le zéro de gauche). Exemple : FAC- 24, ID- 100 devrait être saisi de la façon suivante :

26 bits : 02400100

30 bits : 002400100

Only the Serial Number is validated for 30 bit cards.

AJOUT OU SUPPRESSION D'UN NIP

Un code NIP peut être programmé pour un indépendant ou un ID utilisateur existant. NIP programmés séparément utilise plus de mémoire.

Étape de la programmation	Configuration du clavier
1. Entrée dans le mode utilisateur	* (Code maître) #
2. Ajout d'un NIP Attribution du NIP au numéro d'identification de l'utilisateur	1 (Numéro d'identification de l'utilisateur) # (NIP) # Répétez l'étape 2 pour des NIP supplémentaires Voir REMARQUES 1 et 2.
OU	
2. Suppression d'un NIP Suppression du numéro d'identification de l'utilisateur et des NIP associés	2 (Numéro d'identification de l'utilisateur) # Répétez l'étape 2 pour des NIP supplémentaires Voir REMARQUES 1 et 2.
3. Sortie du mode utilisateur	*

CHANGEMENT D'UN NIP

Permet à l'utilisateur de la carte pour mettre à jour un code NIP précédemment défini pour une carte et code NIP ou carte + code NIP ID de l'utilisateur. Codes NIP par défaut (1234) ne peuvent être modifiés à l'aide de Modifier le code NIP à l'aide d'une carte. **REMARQUE :** Cette opération est exécutée à partir de l'extérieur du mode de programmation.

Étape de la programmation	Configuration du clavier
1. Changer le code NIP à l'aide d'une carte	* (Lire carte) (Ancien NIP) # (Nouveau NIP) # (Nouveau NIP) #
OU	
1. Changer code NIP en utilisant NIP	* (Numéro d'identification de l'utilisateur) (Ancien NIP) # (Nouveau NIP) # (Nouveau NIP) #

REMARQUE 1 :

Lors de l'affectation d'un utilisateur à la fois une carte et un code NIP, la carte doit être attribué en premier. Après que la carte est affectée, l'utilisateur doit changer le code NIP en utilisant la carte pour activer le code NIP pour cet utilisateur. Si le code NIP est attribué premier, un deuxième ID utilisateur doit être utilisé pour attribuer la carte.

REMARQUE 2 :

Lors de l'ajout ou la suppression de plusieurs utilisateurs de façon séquentielle, la commande de programme (1 ou 2, respectivement) est inscrit uniquement au début de la procédure. Pour les utilisateurs supplémentaires, entrez l'ID utilisateur et mot dans le même ordre que la première entrée.

Exemple : Pour ajouter plusieurs utilisateurs

Paso de programación	Combinación de teclas
1. Entrar a modo de programación	* (Código maestro) #
2. Añadir varios usuarios	1 (ID de usuario) # (PIN1) #, (ID de usuario 2) # (PIN2) #, . (ID de usuario 10) # (PIN10) #
3. Salir modo programación	*

CONFIGURATION DE L'ACCÈS : CARTE SEULE

UTILISATION DES CARTES DE L'ADMINISTRATEUR

Les administrateurs d'un KPR2000 peuvent utiliser des cartes d'administrateurs pour programmer des cartes d'utilisateurs pour le système interne ou pour des dispositifs extérieurs. L'appareil est équipé de deux cartes d'administrateur préprogrammées (une carte d'extension et une carte de suppression de l'administrateur) pour permettre un embayage rapide du lecteur. Il s'agit d'un type d'embayage de la saisie automatique du numéro d'identification de l'utilisateur et n'est possible qu'avec la configuration « Carte seule ».

Étape de la programmation	Configuration du clavier
Ajout d'une carte d'utilisateur	1. (Lire la carte d'extension de l'administrateur) 2. (Lire la carte de l'utilisateur) <i>Répétez l'étape 2 pour des cartes d'utilisateurs supplémentaires</i> 3. (Lire la carte d'extension de l'administrateur)
Suppression d'une carte d'utilisateur	1. (Lire la carte de suppression de l'administrateur) 2. (Lire la carte de l'utilisateur) <i>Répétez l'étape 2 pour des cartes d'utilisateurs supplémentaires</i> 3. (Lire la carte de suppression de l'administrateur)

PROGRAMMATION

Alarme

RÉINITIALISATION DE L'ALARME

Étape de la programmation	Configuration du clavier
Pour réinitialiser l'avertissement d'une porte restée ouverte involontairement	(Lire une carte valide) OU (Code maître) #
Pour réinitialiser l'avertissement d'une porte restée ouverte trop longtemps (DOTL)	(Lire une carte valide) OU (Code maître) #

ALARME ANTI-PIRATAGE

Le KPR2000 utilise un capteur optique comme entrée de son alarme interne. Si l'enceinte de l'opérateur est ouverte pendant que le KPR2000 est en fonction, l'alarme se déclenche. Entrez le code maître ou d'une carte valide de faire taire toutes les sorties d'alarme.

Réinitialisation du KPR2000

Cette opération réinitialisera le KPR2000 selon les réglages d'usine par défaut, mais l'information sur les cartes et les NIP sera conservée. Cette opération exigera également la reprogrammation des cartes d'extension et de suppression de l'administrateur. **NOTE** : Il s'agit d'une opération utile si les cartes d'extension et de suppression de l'administrateur originales ont été perdues.

1. Mettre le KPR2000 hors tension.
2. Appuyez et maintenez enfoncé le bouton * pendant que le KPR2000 est remis sous tension.
3. Relâcher le bouton et attendre jusqu'à ce que le voyant DEL jaune s'allume.
4. Présentez au KPR2000 n'importe quel lecteur de proximité de 26 bits ou une carte d'extension de l'administrateur (fournie). Cette carte est maintenant la carte d'extension de l'administrateur.
5. Présentez au KPR2000 n'importe quel lecteur de proximité de 26 bits ou une carte de suppression de l'administrateur (fournie). Cette carte est maintenant la carte de suppression de l'administrateur.

La réinitialisation du KPR2000 est réussie lorsque le voyant DEL rouge commence à clignoter.

Effacement de tous les codes

Cette opération effacera TOUTES les données d'utilisateurs.

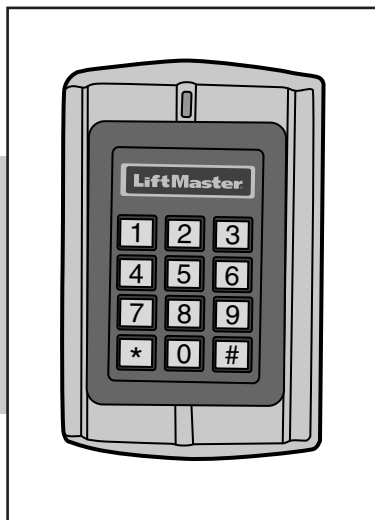
1. Entrez dans le mode utilisateur en appuyant sur : * (Code maître) #.
2. Appuyez sur 2 0000 #.

Toutes les configurations de données sont conservées.

Signaux sonores et voyants

État du fonctionnement	Voyant DEL rouge	Voyant DEL vert	Voyant DEL jaune	Sons
Sous tension	Clignotant			Bip unique et court
Mode veille	Clignotant			
Appuyez sur le clavier	Clignotant			Bip unique et court
Attente de 5 secondes	Clignotant			3 bips courts
Entrez le code maître - Mode d'entrée	SOUS TENSION			Bip unique et court
En mode utilisateur	SOUS TENSION	Clignotant unique		Bip unique et court
Étape de programmation unique effectuée avec succès	SOUS TENSION	Clignotant unique		Bip unique et court
Étape de programmation continue effectuée avec succès		Clignotant unique	SOUS TENSION	Bip unique et court
Étape de la programmation entrée incorrectement			SOUS TENSION	3 bips courts
Sortie du mode utilisateur	Clignotant			Bip unique et court
Entrée autorisée		SOUS TENSION		Bip unique et court
Mode d'alarme en fonction	Clignotant			Alarme
Appuyer sur * fait basculer entre le mode Veille et la saisie du code maître	EN FONCTION/ Clignotant			Bip unique et court

POUR OBTENIR DE L'ASSISTANCE TECHNIQUE, COMPOSER NOTRE NUMÉRO GRATUIT :
1-800-528-2806



LiftMaster®

TECLADO/LECTOR DE PROXIMIDAD RESISTENTE AL AGUA

MODELO KPR2000

CONTENIDO

INTRODUCCIÓN	2	PROGRAMACIÓN	5
CARACTERÍSTICAS	2	CONFIGURACIÓN DEL KPR2000.	5
ACCESORIOS	2	PROGRAMACIÓN DE TARJETAS Y PIN.	6
CONTENIDO DE LA CAJA	2	ALARMA	8
ESPECIFICACIONES	2	INDICACIÓN SONORA Y LUMINOSA	8
UN AÑO DE GARANTÍA LIMITADA	2	REPOSICIÓN DEL KPR2000	8
INSTALACIÓN	3	BORRAR TODOS LOS CÓDIGOS	8
INSTALACIÓN DEL KPR2000.	3		
ELECCIÓN DE MODO OPERATIVO.	3		
CONEXIONES	4		
CONEXIÓN DEL KPR2000.	4		

INTRODUCCIÓN

El LiftMaster KPR2000 es un controlador de acceso multifuncional para una sola entrada, con teclado y lector de tarjeta. Está diseñado para funcionar en una variedad de condiciones de servicio en interiores, exteriores y de alta exigencia.

El KPR2000 puede manejar hasta 2000 usuarios en distintas configuraciones (sólo tarjeta, tarjeta o PIN o tarjeta y PIN). El lector de tarjetas de 125 KHZ se es incorporado soporte tarjetas de próximo de 26 recorte y 30 recorte de Wiegand. El KPR2000 ofrece programación avanzada para poder bloquear entradas, programar funciones de relay y PIN/tarjetas con código de emergencia (abren la entrada y disparan la alarma).

Características

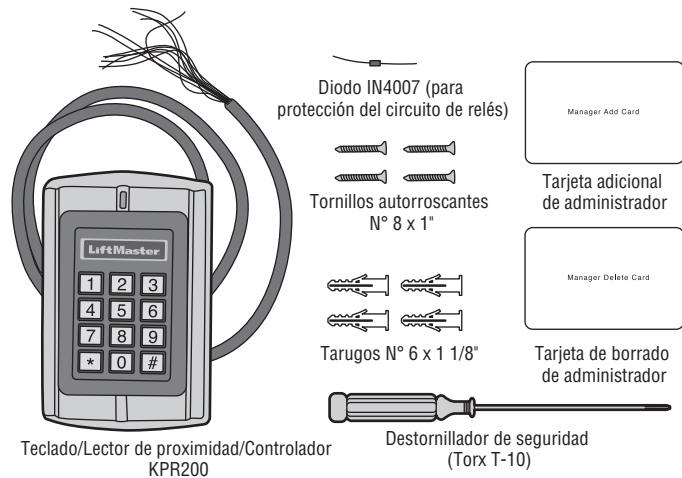
- Resistente al agua (IP68) (cumple o supera N4)
- Caja de alta resistencia
- Teclado iluminado
- Señalización de estado con LED multicolor
- Timbre y salida de alarma integrados
- Una salida programable para relay
- Funcionamiento independiente o como transferidor de datos
- 2000 usuarios (Tarjeta/PIN/Tarjeta + PIN)
- Bajo consumo energético (50 mA)
- Alarma contra intrusiones
- Modo de traba para mantener la puerta o el portón abierto
- Dos teclado Modos de funcionamiento

Accesorios

- Pedestal de acceso de bajo perfil, modelo PEDS44
- Adaptador para pedestal de 4 x 4, modelo PEDAD
- Modelo PED42 estándar Pedestal
- Fuente de alimentación de 12 VCC, 2 Amp., modelo PS12V2A

Contenido de la caja

NO MOSTRADO: Manual de instrucciones



Especificaciones

Capacidad de uso	Identificaciones 2000 usuarios con tarjeta y / o NIPs
Voltaje de servicio	12 ~ 24 VCC
Corriente en vacío	~ 50mA
Corriente en actividad	~ 80mA
Teclado	12 teclas (3x4)
Dos formatos de salida: El modo de teclado Tarjeta Wiegand de 26 bits 8 bits de modo del teclado ASCII	
Lector de proximidad	HID 26 bit y 30 bit (Sentex)
Tecnología de radiofrecuencia	Tarjeta de proximidad normalizada de 125 KHz
Distancia de lectura	1 a 2,5 pulgadas
Conexiones	Salida de relay, REX, DOTL, Alarma, Wiegand (entrada/salida)
Relay	Uno (NA, NC, Común)
Tiempo regulable de salida a relay	1 ~ 99 segundos (5 segundos preasignado)
Tiempo regulable de salida de alarma.	0 ~ 3 minutos (1 minuto preasignado)
Límite de carga de salida	2 Amp. máximo
Límite de salida a la alarma	10 Amp. máximo

Compatibilidad Wiegand	HID Wiegand 26 y 30 bit, entrada y salida
Condiciones de servicio	Cumple o supera IP68
Temperatura de servicio	-20°C ~ 60°C, o -4°F ~ 140°F
Humedad de servicio	10% ~ 90% sin condensación
Características	Caja de aleación de zinc
Terminación superficial	Revestimiento pulverizado
Dimensiones	L:128mm x A:82mm x P:28mm
Peso	1 libra
Peso embalado	1.4 libras

UN AÑO DE GARANTÍA LIMITADA

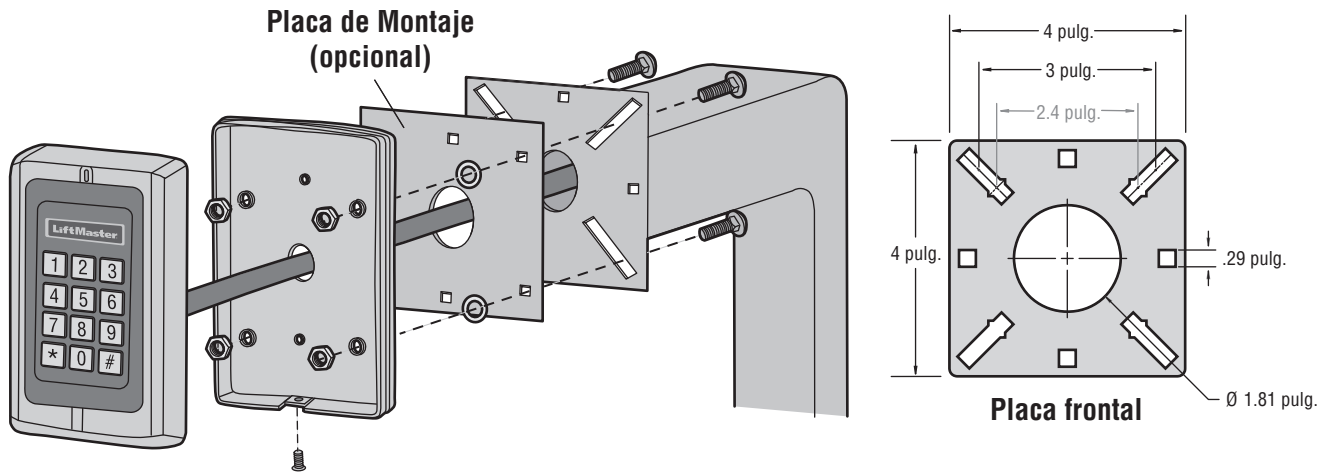
The Chamberlain Group garantiza al primer comprador minorista de este producto, que el mismo está libre de defectos de materiales y de mano de obra por un periodo de un año a partir de la fecha de compra.

Este dispositivo cumple con la Parte 15 de las normas de la FCC. El uso está condicionado a lo siguiente: (1) Este dispositivo no debe causar interferencia y (2) este dispositivo debe ser apto para recibir interferencia, aunque la misma pueda afectar su funcionamiento.

INSTALACIÓN

1 Instalación del KPR2000.

Se adapta a una caja de salida única, estándar, o un pedestal cuadrado montaje de 2.4 pies.



2 Elección de modo operativo.

FUNCIONAMIENTO INDEPENDIENTE

El KPR2000 funciona como un sistema completo de control de acceso. La base de datos de los usuarios se carga a una memoria no volátil, lee los PIN y las tarjetas, autentica códigos y otorga y supervisa el acceso a la propiedad o máquina. En funcionamiento independiente hay tres tipos de configuración de acceso:

- **Tarjeta o PIN (preasignado):** El usuario debe presentar una tarjeta Wiegand ante el KPR2000 o especificar un número de identificación personal (PIN) seguido por la tecla # para obtener acceso.
- **Tarjeta únicamente:** El usuario debe presentar una tarjeta Wiegand ante el KPR2000 para obtener acceso. Tanto el código de planta como el número de identificación son validados como un sólo bloque de datos Wiegand.
- **Tarjeta + PIN:** El usuario debe presentar una tarjeta Wiegand ante el KPR2000 y luego especificar un número de identificación personal (PIN) seguido por la tecla # para obtener acceso.

FUNCIONAMIENTO COMO TRANSFERIDOR DE DATOS

El KPR2000 pasa todos los datos Wiegand teclado y lector de tarjetas a un controlador externo. El KPR2000 debe estar en la "Tarjeta o PIN" configuración de acceso para la operación de paso a través. En este modo, el LED permanecerá en rojo y el KPR2000 parpadeará 3 veces cuando se presentan credenciales que se ha autenticado en el controlador externo. Para cambiar este modo y permitir que el KPR2000 parpadee el LED verde, y un pitido 1 vez, el KPR2000 tendrá que aprender las mismas credenciales que el controlador externo.

NOTA IMPORTANTE: En ambos modos puede utilizarse generación automática de identificación de usuario (el método más simple) y entrada manual de identificación de usuario.

FUNCIONAMIENTO DEL TECLADO

El teclado KPR2000 puede emitir un código ASCII de 8 bits cada golpe de teclado, o la salida de un paquete de tarjeta Wiegand de 26 bits con un código de instalación y un número de tarjeta de 4-5 dígitos cuando se pulsa la tecla #. Ver las opciones de configuración en la página 5.

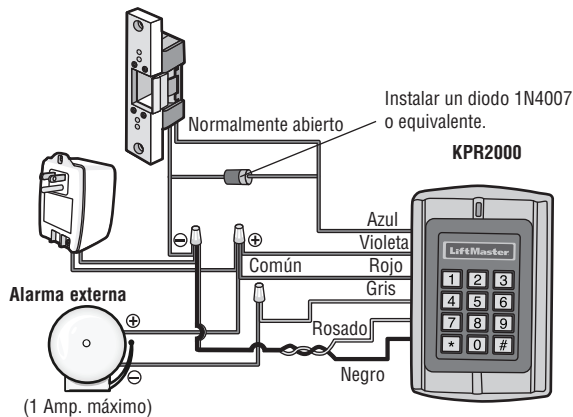
CONEXIONES

3 Conexión del KPR2000.

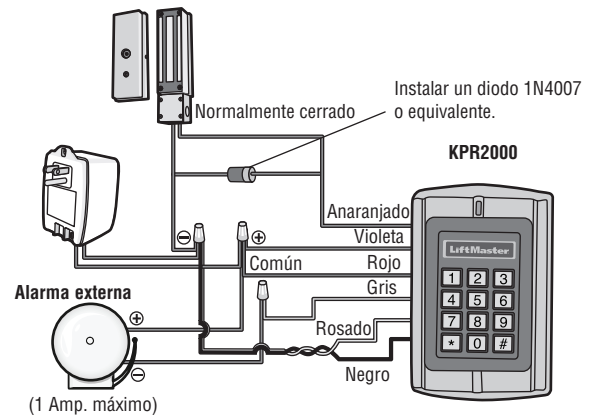
Color del conductor	Función	Notas
Conexiones básicas unidad independiente		
Rojo	Alimentación eléctrica +	Entrada regulada de 12~24 Voltios de CC
Negro	Alimentación eléctrica -	Entrada regulada de 12~24 Voltios de CC
Rosado	Alimentación eléctrica -	Conductor de tierra
Azul	Relay NA	Salida de relay normalmente abierta (instalar diodo suministrado)
Violeta	Común de relay	Común de salida de relay
Anaranjado	Relay NC	Salida de relay normalmente cerrada (instalar diodo suministrado)
Cableado pasante (Wiegand maestro y remoto)		
Verde	Datos 0	Salida Wiegand (transferidor)/Entrada (Independiente) Datos 0
Blanco	Datos 1	Salida Wiegand (transferidor)/Entrada (Independiente) Datos 1
Rosado	Tierra	Conecte a tierra para asegurar el funcionamiento adecuado de salida de alarma.
Funciones avanzadas de entrada y salida		
Amarillo	REX	Entrada de pedido de Salida (REX)
Gris	Salida alarma	Contacto negativo para alarma
Marrón	Entrada de contacto	Entrada de contacto de puerta/portón (normalmente cerrado)

EJEMPLOS DE CONEXIÓN:

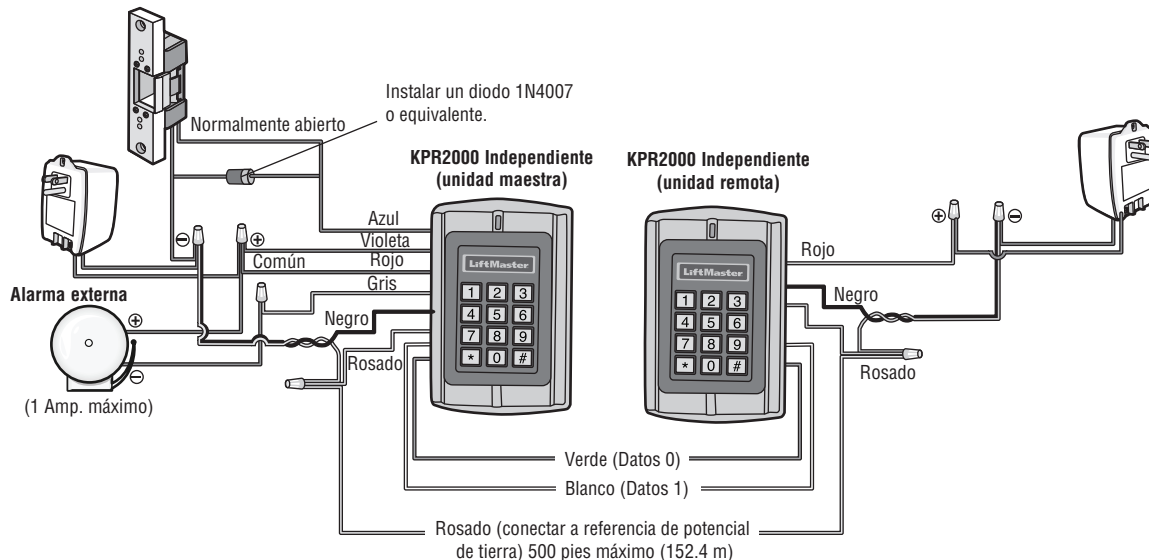
Operador de puerta/portón o apertura por falla eléctrica



Traba magnética o apertura por falla eléctrica



Dos KPR2000 en red o conexión a un sistema de control de acceso



PROGRAMACIÓN

4 Configuración del KPR2000.

Cambiar los parámetros de acuerdo con su propia aplicación (opcional). Es posible cambiar varios parámetros de configuración al mismo tiempo: Entrar al modo de programación, cambiar los parámetros y salir del modo de programación.

PROGRAMAR CÓDIGO MAESTRO

El código maestro de 6 dígitos es para evitar acceso no autorizado al sistema. Para interactuar con el KPR2000, el administrador necesitará un código maestro (código preasignado de fábrica: 888888). Es recomendable cambiar y registrar inmediatamente el código maestro.

Paso de programación	Combinación de teclas
1. Entrar a modo de programación	* (Código maestro) #
2. Actualizar código maestro	0 (Nuevo código) # (Nuevo código) #
3. Salir de modo programación	*

PROGRAMAR CONFIGURACIÓN DE ACCESO

Hay 3 tipos de configuración de acceso para el KPR2000:

- **Tarjeta o PIN (preasignado):** El usuario debe presentar una tarjeta Wiegand ante el KPR2000 o especificar un número de identificación personal (PIN) seguido por la tecla # para obtener acceso.
- **Tarjeta únicamente:** El usuario debe presentar una tarjeta Wiegand ante el KPR2000 para obtener acceso. Tanto el código de planta como el número de identificación son validados como un sólo bloque de datos Wiegand.
- **Tarjeta + PIN:** El usuario debe presentar una tarjeta Wiegand ante el KPR2000 y luego especificar un número de identificación personal (PIN) seguido por la tecla # para obtener acceso.

Paso de programación	Combinación de teclas
1. Entrar a modo de programación	* (Código maestro) #
2. Sólo tarjeta 0	3 0 #
2. Tarjeta + PIN 0	3 1 #
2. Tarjeta o PIN	3 2 #
3. Salir de modo programación	*

CONFIGURACIÓN PARA RELAY

La configuración para relay determina qué función ejecutar cuando se activa la salida de relay.

Paso de programación	Combinación de teclas
1. Entrar a modo de programación	* (Código maestro) #
2. Modo de pulso 0	4 (1-99) # Tiempo de relay es de 1-99 segundos (preasignado: 5 segundos)
2. Modo de traba	4 0 # Programa relay en modo de traba acitvado/desactivado
3. Salir de modo programación	*

OPCIONES DE ENTRADA/SALIDA WIEGAND

El KPR2000 puede manejar entradas y salidas de dispositivos normalizados Wiegand (consultar las especificaciones). Valor preasignado: HID 26 bit.

Paso de programación	Combinación de teclas
1. Entrar a modo de programación	* (Código maestro) #
2. Formato Wiegand	9 (Formato Bit) # Formato bit = formato de 2 dígitos (ejemplo: 26 o 30)
3. Salir de modo programación	*

COLOQUE LA PUERTA ABIERTA DEMASIADO TIEMPO (DOTL) O FORZADA ALARMA

Esta configuración permite tanto DOTL y alarmas en las puertas forzadas y requiere una entrada de sensor externo. La sincronización de la salida forzada de alarma de la puerta se puede ajustar entre 1-3 minutos (por defecto es de 1 minuto). La puerta abierta demasiado tiempo (DOTL) temporización se fija en 1 minuto y sólo suena el construido en el zumbador. Predeterminado de fábrica es desactivado.

Paso de programación	Combinación de teclas
1. Entrar a modo de programación	* (Código maestro) #
2. Alarma DOTL/Puerta forzada desactivada 0	6 0 #
2. Alarma DOTL/Puerta forzada activada	6 1 # (DOTL: Alarma suena un minuto. Puerta Forzada: La alarma suena durante 1-3 minutos y permite la salida de alarma).
2. Puerta Forzada sincronización de salida	9 (1-3) #
3. Salir de modo programación	*

ALARMA DE ELIMINACIÓN

La alarma tachado participará después de 10 intentos fallidos de la tarjeta / PIN en un período de diez minutos. Estado preasignado de fábrica: desactivada (OFF). La alarma de choque de salida se puede configurar para denegar el acceso durante 10 minutos o se puede configurar para que funcione la alarma durante 10 minutos.

NOTA: Introduzca el código Maestro o Tarjeta Válida para silenciar todas las salidas de alarma.

Paso de programación	Combinación de teclas
1. Entrar a modo de programación	* (Código maestro) #
2. Eliminación OFF (NO) 0	7 0 # (Preasignado de fábrica)
2. Eliminación ON (SÍ) 0	7 1 # Acceso negado por 10 minutos
2. Strike- Out Alarma ON (SÍ)	7 2 #
3. Salir de modo programación	*

PROGRAMACIÓN DE RESPUESTA AUDIBLE Y VISUAL

Estado preasignado de fábrica: activada (ON).

Paso de programación	Combinación de teclas	
1. Entrar a modo de programación	* (Código maestro) #	
2. Control iluminación 0	ON (Sí) = 7 5 #	OFF (No) = 7 4 #
2. Control LED 0	ON (Sí) = 7 7 #	OFF (No) = 7 6 #
2. Control sonido	ON (Sí) = 7 9 #	OFF (No) = 7 8 #
3. Salir de modo programación	*	

SET WIEGAND TECLADO MODO

Paso de programación	Combinación de teclas
1. Entrar a modo de programación	* (Código maestro) #
2. Modo del teclado 0	6 2 # ASCII modo del teclado
2. Modo del teclado	6 3 # Modo de teclado numérico tarjeta de 26 bits (predeterminado de fábrica)
3. Salir de modo programación	*

SET 26 BIT CENTRO DE FORMATO CÓDIGO

Paso de programación	Combinación de teclas
1. Entrar a modo de programación	* (Código maestro) #
2. Código de instalación Set	8 0 # Ignora código de instalación (por defecto de fábrica) 8 (Código de instalación) # (1 - 255)
3. Salir de modo programación	*

PROGRAMACIÓN

5 Programación de tarjetas y PIN.

La programación dependerá del tipo de configuración de control de acceso. Siga las instrucciones que correspondan a la configuración de control de acceso adoptada.

INFORMACIÓN GENERAL DE PROGRAMACIÓN

- **Número de identificación del usuario:** Asigna un número de identificación al código de acceso a fin de llevar control de los usuarios de tarjetas o PIN. Este número puede ser cualquier número de 1 a 2000. **IMPORTANTE:** No es necesario anteponer ceros al número de usuario. El registro de la identificación de usuarios es de crítica importancia. Para modificar los datos de usuario es necesario tener la tarjeta o el número de identificación.
- **Tarjeta de proximidad:** Puede usarse cualquier tarjeta de proximidad normalizada de 125 KHz con protocolo Wiegand de 26 bit.
- **PIN para teclado:** El PIN (número de identificación personal) puede ser cualquier 4 - 5 dígitos entre 0000 a 65535 (excepto 1234, que está reservado para pruebas). **IMPORTANTE:** Debe anteponerse uno o más ceros a todo número menor de 1000. No es necesario anteponer ceros a todo número mayor de 9999.
- Todos los usuarios de la tarjeta se les asigna automáticamente un PIN predeterminado 1234 que debe ser cambiado para ser activado.

CONFIGURACIÓN DE ACCESO: TARJETA O PIN, TARJETA + PIN, Y TARJETA ÚNICAMENTE

AGREGAR TARJETAS DE USUARIO

Paso de programación	Combinación de teclas
1. Entrar a modo de programación	* (Código maestro) #
2. Agregar tarjeta con ID automático (El KPR2000 asigna tarjeta al siguiente número de usuario disponible)	1 (Leer tarjeta) # Repetir Paso 2 para otras tarjetas Consulte las notas 1 y 2.
0	
2. Agregar tarjeta con ID seleccionado (el administrador define un número de usuario para asignar la tarjeta)	1 (ID de usuario) # (Leer tarjeta) # Consulte las notas 1 y 2.
0	
2. Agregar tarjetas en bloque (el administrador puede agregar hasta 2000 tarjetas al KPR2000 en un paso †). Lleva 2 minutos programarlo.	5 (ID de usuario) # (Primer número de tarjeta) # (Cantidad de tarjetas) # Cant. tarjetas = cantidad de tarjetas a registrar
3. Salir modo programación	*

ELIMINAR TARJETAS DE USUARIO

Paso de programación	Combinación de teclas
1. Entrar a modo de programación	* (Código maestro) #
2. Borrar tarjeta por ID de usuario	2 (ID de usuario) # Al borrar por ID de usuario se borran tarjetas y números de PIN
0	
2. Borrar tarjeta por tarjeta	2 (Lectura de tarjeta) # Se necesita la tarjeta del usuario. Borrar el número de tarjeta ÚNICAMENTE
0	
2. Borrar tarjeta por número de tarjeta	2 (Número de tarjeta) # Borra ÚNICAMENTE el número de tarjeta †
3. Salir modo programación	*

† ENTRADA DIRECTAMENTE DE BLOQUEO LEARN

Formato para programar determinados números de tarjeta: Código de planta + Número de identificación (con ceros antepuestos). Ejemplo: FAC- 24, ID- 100 se especificaría como:

26 Bit: 02400100

30 Bit: 002400100

AGREGAR O BORRAR UN PIN

El PIN se puede programar a un independiente o un ID de usuario existente. NIPs programados por separado utilizarán más memoria.

Paso de programación	Combinación de teclas
1. Entrar a modo de programación	* (Código maestro) #
2. Agregar PIN Asigna un PIN al número del usuario	1 (ID de usuario) # (PIN) # Repetir el Paso 2 para otros números de PIN Consulte las notas 1 y 2.
0	
2. Borrar un PIN Borra el número de usuario y el PIN asociado	2 (ID de usuario) # Repetir el Paso 2 para otros números de PIN Consulte las notas 1 y 2.
3. Salir modo programación	*

CAMBIAR UN PIN

Permite al usuario de tarjeta para actualizar un PIN establecido previamente para una tarjeta y el PIN o la tarjeta + PIN ID de usuario. Códigos PIN predeterminado (1234) sólo se pueden cambiar mediante Cambiar PIN con una tarjeta. NOTA: Esta operación se ejecuta desde fuera del modo de programa.

Paso de programación	Combinación de teclas
1. Cambie el PIN mediante una tarjeta	* (Tarjeta de leer) (PIN anterior) # (PIN nuevo) # (PIN nuevo) #
0	
1. Cambie el PIN mediante PIN	* (ID usuario) # (PIN anterior) # (PIN nuevo) # (PIN nuevo) #

NOTA 1:

Al asignar un usuario una tarjeta y un NIP, la tarjeta debe ser asignado en primer lugar. Una vez asignada la tarjeta, el usuario debe cambiar el PIN con la tarjeta para activar el PIN para este usuario. Si el PIN se asigna primero, un segundo ID de usuario debe ser utilizado para asignar la tarjeta.

NOTA 2:

Cuando la adición o eliminación de múltiples usuarios secuencialmente, el comando de programa (1 o 2, respectivamente) se introduce sólo en el comienzo del procedimiento. Para los usuarios adicionales, introduzca el ID de usuario y las credenciales en el mismo orden que la primera entrada.

Ejemplo: Para agregar varios usuarios

Paso de programación	Combinación de teclas
1. Entrar a modo de programación	* (Código maestro) #
2. Añadir varios usuarios	1 (ID de usuario) # (PIN1) #, (ID de usuario 2) # (PIN2) #, . . (ID de usuario 10) # (PIN10) #
3. Salir modo programación	*

CONFIGURACIÓN DE ACCESO: TARJETA ÚNICAMENTE

USO DE TARJETAS DE ADMINISTRADOR

Los administradores del KPR2000 pueden usar tarjetas de administrador para agregar o eliminar tarjetas del sistema. Hay dos tipos de tarjeta de administrador preprogramada (una para Agregar y otra para Eliminar) para agilizar el registro de tarjetas. Es una forma de autoregistro de usuario y puede utilizarse únicamente en configuración de Tarjeta únicamente.

Paso de programación	Combinación de teclas
Agregar tarjeta de usuario	1. (Leer tarjeta de administrador para agregar) 2. (Leer tarjeta de usuario) <i>Repetir Paso 2 para otras tarjetas</i> 3. (Leer tarjeta de administrador)
Borrar tarjeta de usuario	1. (Leer tarjeta de administrador para borrar) 2. (Leer tarjeta de usuario) <i>Repetir Paso 2 para otras tarjetas</i> 3. (Leer tarjeta de administrador para borrar)

PROGRAMACIÓN

Alarma

PARA REPONER LA ALARMA

Paso de programación	Combinación de teclas
Para reponer la alerta de apertura forzada	(Leer la tarjeta) 0 (Código maestro #)
Para reponer la alerta de puerta abierta demasiado tiempo (DOTL)	(Leer la tarjeta) 0 (Código maestro) #

ALARMA CONTRA INTRUSIONES

El KPR2000 utiliza un sensor óptico como entrada para su alarma interna. Si la caja se abre con el KPR2000 energizado, se activará la alarma. Introduzca el código Maestro o de una tarjeta válida para silenciar todas las salidas de alarma.

Reposición del KPR2000.

Esto repondrá el KPR2000 a su estado original de fábrica, pero los datos de tarjetas y PIN se conservarán. Será necesario también reprogramar las tarjetas maestras de agregar y borrar tarjetas. **NOTA:** Esto es útil en caso de que las tarjetas maestras de agregar y borrar tarjetas se hubieran perdido.

1. Apagar la unidad KPR2000.
2. Mantener pulsado el botón * mientras se vuelve a encender el KPR2000.
3. Soltar el botón y esperar hasta que se encienda el LED ámbar.
4. Presentar cualquier tarjeta de proximidad de 26 bit o la tarjeta de administrador para agregar suministrada. Esta tarjeta es ahora la tarjeta de administrador para agregar.
5. Presentar cualquier tarjeta de proximidad de 26 bit o la tarjeta de administrador para borrar suministrada. Esta tarjeta es ahora la tarjeta de administrador para borrar.

La reposición del KPR2000 estará efectuada cuando el LED rojo comience a parpadear.

Borrar todos los códigos

Esto borrará TODOS los datos de usuarios.

1. Entrar al modo de programación pulsando: * (Código maestro) #.
2. Pulsar 2 0000 #.

Todos los datos de configuración del sistema se conservarán.

Indicación sonora y luminosa

Estado de funcionamiento	LED rojo	LED verde	LED ámbar	Sonido
Alimentación On	Parpadea			Un sonido corto
Pasivo	Parpadea			
Pulsar teclado	Parpadea			Un sonido corto
Conteo de 5 segundos	Parpadea			3 sonidos cortos
Entrada de código maestro	Encendido			Un sonido corto
En modo de programación	Encendido	Un parpadeo		Un sonido corto
Un paso de programación ejecutado	Encendido	Un parpadeo		Un sonido corto
Programación continua ejecutada		Un parpadeo	Encendido	Un sonido corto
Paso de programación no ejecutado			Encendido	3 sonidos cortos
Salida del modo de programación	Parpadea			Un sonido corto
Datos aceptados		Encendido		Un sonido corto
Modo alarma activado	Parpadea			Alarma
Pulsar * cambia entre pasivo y entrada de código maestro	Encendido/Parpadea			Un sonido corto

**PARA OBTENER ASISTENCIA TÉCNICA, LLAME A NUESTRO NÚMERO GRATUITO:
1-800-528-2806**