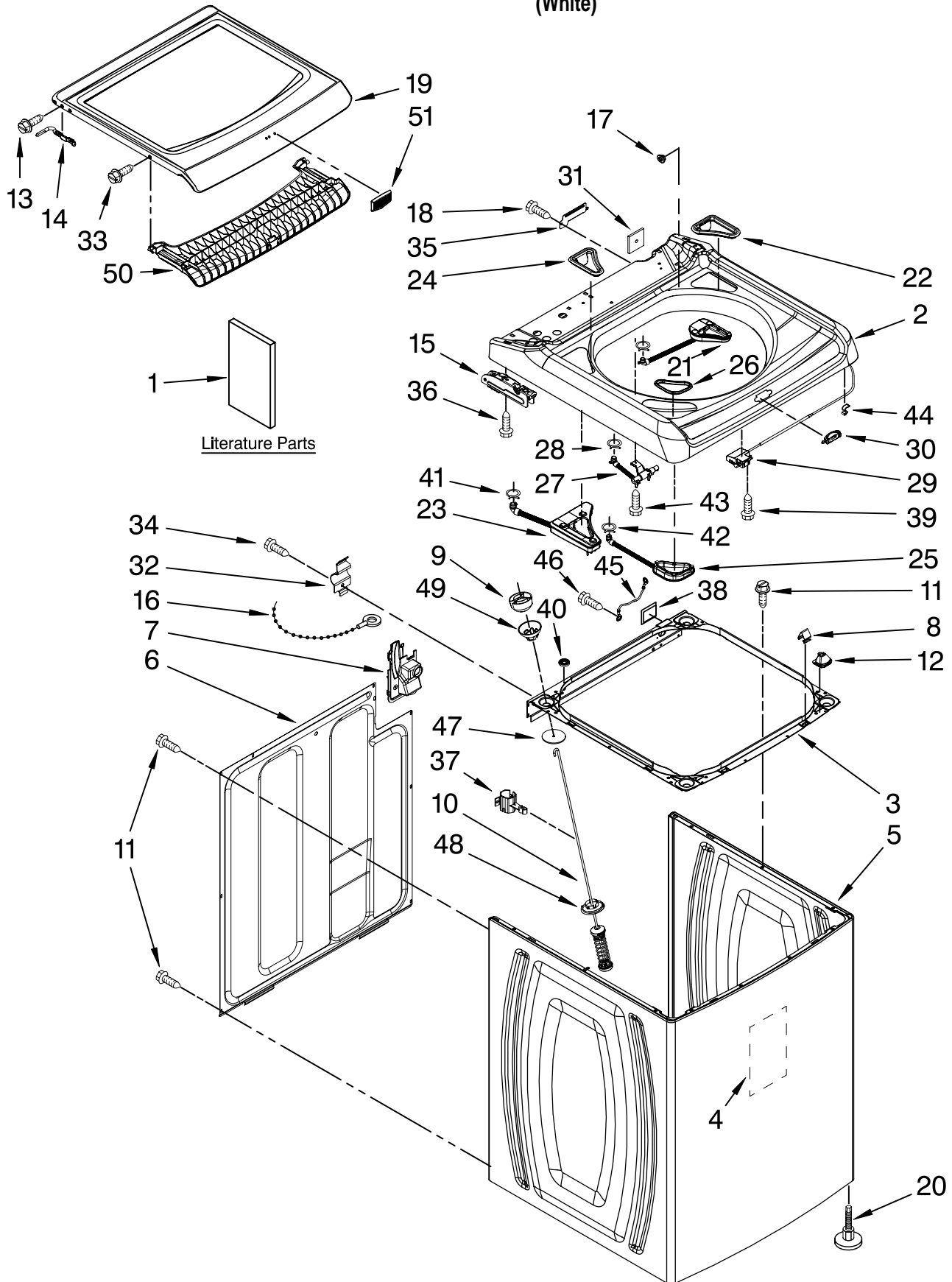


FOR MODEL: MVWB450WQ0  
(White)



FOR ORDERING INFORMATION REFER TO PARTS PRICE LIST

# TOP AND CABINET PARTS

FOR MODEL: MVWB450WQ0

(White)

Illus. No.	Part No.	DESCRIPTION	Illus. No.	Part No.	DESCRIPTION	Illus. No.	Part No.	DESCRIPTION
1		Literature Parts Installation Instructions	11	1157158	Screw, 8-18 x 3/8	30	8572019	Bezel, Lid Lock
	W10240438	English/French	12	W10042120	Locator, Top (2)	31	W10161707	Top Foam Seal
	W10240439	Spanish	13	W10119828	Screw, Lid Hinge Mounting (4)	32	8564456	Hinge, Top (2)
	W10092824	Use & Care Guide	14	8563964	Hinge Arm, Lid (2)	33	8563892	Screw (2)
	W10092825	English/French	15		Hinge, Spring Assembly	34	343641	Screw, 10-16 x 1/2 (2)
	W10093831	Spanish		W10141680	(Left)	35	8563941	Cover, Harness
	W10093831	Tech Sheet		W10141679	(Right)	36	693995	Screw, 8-18 x 3/8
	W10026652	Improved Wash Performance Sheet	16	W10155270	Cable Tie	37	8543784	Bracket, Drain Hose
	W10178406	English/French	17	W10119519	Bearing, Lid Hinge (2)	38	8578386	Shield, Wire Harness
	W10187317	Spanish	18	3390647	Screw, 8-18 x 1/2	39	8281136	Screw, 10-16 x 3/4
	W10092819	Wiring Diagram	19	W10119497	Lid Assembly	40	8576476	Spacer, Rear (Cabinet/Top)
	W10092819	Energy Guide	20	W10240448	Foot Assembly, Leveling (4)	41	370451	Clamp, Hose
2	W10141678	Top	21	W10172146	Dispenser, Fabric Softener	42	371503	Clamp, Hose
3	W10162604	Frame Assembly, Cabinet Top (Includes Item 38)	22	W10136371	Bezel, Fabric Softener Dispenser	43	3400061	Screw, 10-16 x 9/16
4	W10177046	Sound Absorber, Cabinet	23	W10187307	Dispenser, Stain Remover	44	90016	Clip, Harness (5)
5	8566097	Cabinet	24	8563876	Bezel, Stain Remover Dispenser	45	8281736	Wire, Ground Jumper
6	8566090	Panel, Rear	25	W10172154	Dispenser, Detergent	46	3400076	Screw, 10-32 x 5/8
7	W10160572	Retainer, Drain Hose Storage	26	8563877	Bezel, Detergent Dispenser	47	8577896	Washer, Suspension Umbrella (4)
8	8563785	Lock, Top- Front (2)	27	W10106990	Nozzle Assembly, Fresh Water	48	8564017	Cup, Suspension (4)
9	W10111536	Ball, Suspension (Set Of 4 - Includes Item 49)	28	371503	Clamp, Hose	49	W10167599	Bushing, Suspension (Set Of 4-Includes Item 9)
10	W10256514	Damper Assembly, Tub Suspension (Set Of 4-Includes Items 9, 47, 48 & 49)	29	W10059230	Lock Assembly, Lid	50	W10119520	Liner, Lid
						51	W10153170	Medallion

FOR ORDERING INFORMATION REFER TO PARTS PRICE LIST



# CONTROL PANEL PARTS

FOR MODEL: MVWB450WQ0

(White)

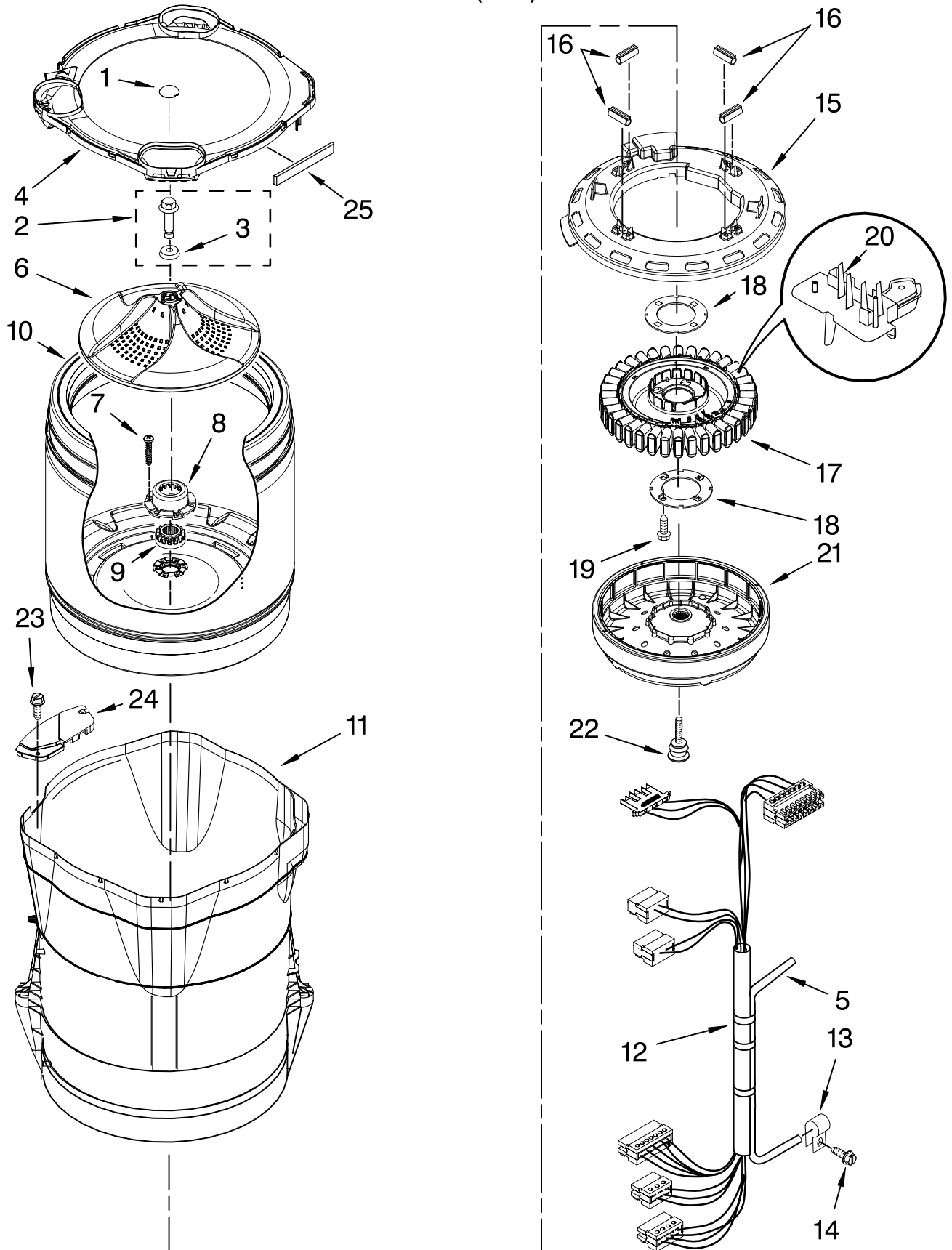
<b>Illus. No.</b>	<b>Part No.</b>	<b>DESCRIPTION</b>
1	W10253697	Control Unit Assembly, Machine & Motor
2	W10141695	Gasket, Valve Tray
3	W10110213	Tray Assembly, Console (Includes Items 2 & 4)
4	W10141693	Gasket, Console/Tray
5	8577408	Valve, Log Assembly (Includes Item 21) Assembly
6	W10051126	Knob, Control
7	W10260186	User Interface
8	W10004990	Screw, 6-20 x 1.2
9	W10090757	Console
10	W10051124	Cover, Rear- User Interface
11	W10003770	Screw, 6-19 x 1/2 (3)
12	W10022060	Nut, Push-In (3)
13	W10052600	Screw, 8-18 x 3/4
14	8565324	Screw, 10-16 x 1.75
15	8281136	Screw, 8-18 x 3/4
16	3407203	Cord Assembly, Power
17	98460	Nut, Push-In (2)
18	W10242307	Washer, Water Inlet Hose (1-1/16 x 5/8)(4)
19		Hose, Water Inlet
	W10194208	Cold Water
	8571378	Hot Water
20	3351614	Screw, Power Cord Ground
21	3407187	Harness, Thermistor

FOR ORDERING INFORMATION REFER TO PARTS PRICE LIST

# MOTOR, BASKET AND TUB PARTS

FOR MODEL: MVWB450WQ0

(White)



FOR ORDERING INFORMATION REFER TO PARTS PRICE LIST

# MOTOR, BASKET AND TUB PARTS

FOR MODEL: MVWB450WQ0

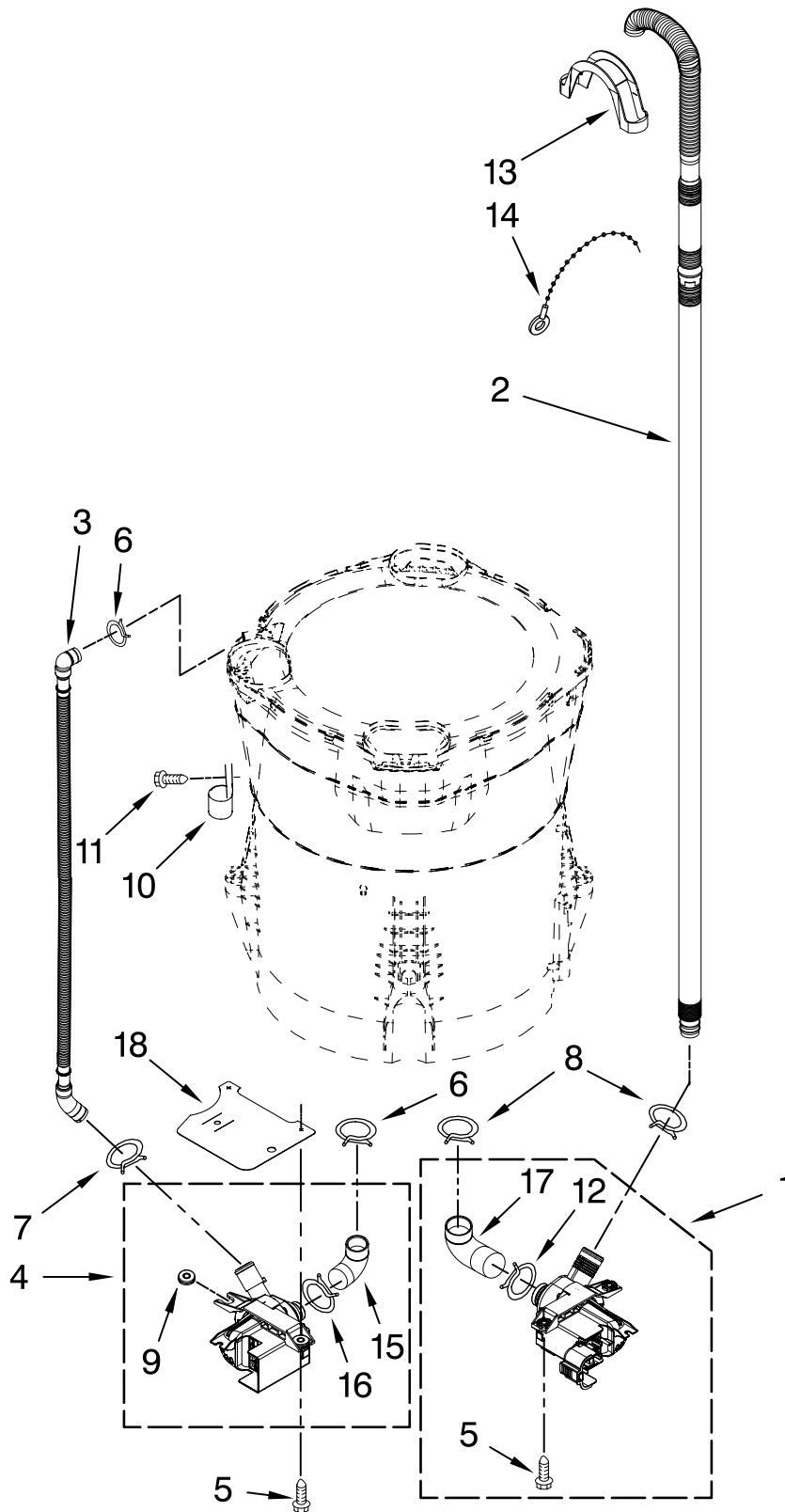
(White)

<u>Illus.</u> <u>No.</u>	<u>Part</u> <u>No.</u>	<u>DESCRIPTION</u>
1	W10149460	Cap, Impeller
2	W10076270	Screw & Washer Assembly
3	W10076260	Washer
4	W10242338	Tub Ring (Includes Item 25)
5	8572540	Hose Pressure Switch
6	W10141017	Impeller (Washplate)
7	8533953	Screw, 8-16 x 1.000 (6)
8	W10118114	Hub, Basket-Driven (Includes Item 9)
9	8545953	Hub, Basket-Driver (Includes Item 8)
10	W10118182	Basket Assembly (Includes Items 7, 8, & 9)
11	W10128830	Tub & Drive Shaft Assembly
12	W10137697	Harness, Lower (Includes Item 5)
13	W10005430	Clamp, Pressure Hose Retainer
14	8533957	Screw, 10-16 x 1/2
15	W10137698	Shield, Drive Motor (Includes Item 16)
16	8565172	Tube, Buffer (Set Of 4)
17	8565170	Stator, Motor (Includes Item 18)
18	8557836	Plate, Stator (Set Of 2)
19	8534042	Screw, 1/4-20 x .968 (4)
20	W10137685	RPS Assembly
21	8565177	Rotor, Main Drive Motor (Includes Item 22)
22		Bolt, Rotor Assembly Non-Serviceable (Supplied W/Rotor)
23	8533928	Screw, 8-18 x 3/4 (2)
24	W10222008	Filter, Dual Pump Hood
25	W10205824	Absorber, Impact (4)

FOR ORDERING INFORMATION REFER TO PARTS PRICE LIST

# PUMP PARTS

FOR MODEL: MVWB450WQ0  
(White)



Illus. No.	Part No.	DESCRIPTION
1	W1015921	Pump Assembly, Drain
2	W10236686	Hose, Drain
3	8543774	Hose, Recirc
4	W10049400	Pump Assembly, Recirc
5	W10004910	Screw, 12-16 x 1-1/8
6	370449	Clamp, Hose
7	8269146	Clamp, Hose
8	8317496	Clamp, Hose
9	8182771	Grommet, Pump Mounting (2)
10	8534021	Clamp, Recirc Hose Retainer
11	8533943	Screw, 10-16 x 3/4
12	8182768	Clamp, Drain Pump Hose
13	8576642	Retainer, Drain Hose
14	3347868	Cable Tie
15	8182769	Hose, Recirc Pump
16	8182770	Clamp, Recirc Pump Hose
17	8182767	Hose, Drain Pump
18	8578572	Shield, Recirc Pump

FOR ORDERING INFORMATION REFER TO PARTS PRICE LIST

# OPTIONAL PARTS (NOT INCLUDED)

FOR MODEL: MVWB450WQ0  
(White)

Illus. No.	Part No.	DESCRIPTION	Illus. No.	Part No.	DESCRIPTION	Illus. No.	Part No.	DESCRIPTION
<b><u>PAINT, TOUCH-UP (1/2oz.)</u></b>			<b><u>WATER SYSTEM PARTS</u></b>			<b><u>ACCESSORY PARTS</u></b>		
	72017	White		285442	Connector Kit, Plastic Drain Hose		W10135699	Affresh Odor Remover
<b><u>PAINT, PRESSURIZED SPRAY (12 oz.)</u></b>				285321	Sleeve Kit, (Contains 2 Sleeves)		8212546RP	Inlet Hoses, 4 Ft. (Two Black Hoses W/Straight Ends & 4 Rubber Washers)
	350938	Primer, Gray		285320	Siphon Break Kit		8212641RP	Inlet Hoses, 5 Ft. (Two Black Hoses W/Straight Ends & 4 Rubber Washers)
	350930	White		367031	Drain Protector		8212545RP	Inlet Hoses, 5 Ft. (One Red Hose & One Blue Hose W/Straight Ends & 4 Rubber Washers)
<b><u>PAINT, BULK (1 qt.)</u></b>			<b><u>SEALER</u></b>				8212487RP	Inlet Hoses, 5 Ft. (Two Braided Hoses W/Straight Ends & 4 Rubber Washers)
	799344	White (Uncut)		285195	Sealer, Gasket (.20 Fl. Oz.) (6 ml)		8212637RP	Inlet Hoses, 6 Ft. (Two Black Hoses W/One Straight End & One 90 Degree End & 4 Rubber Washers)
			<b><u>COUPLING</u></b>				8212638RP	Inlet Hoses, 6 Ft. (Two Braided Hoses W/One Straight End & One 90 Degree End & 4 Rubber Washers)
				384496	Coupling, Hose		285448A	Hose Washers (Package of 4)
							285452A	Hose Screen (Package of 2)

FOR ORDERING INFORMATION REFER TO PARTS PRICE LIST