

Please read and save these instructions. Read carefully before attempting to assemble, install, operate or maintain the product described. Protect yourself and others by observing all safety information. Failure to comply with instructions could result in personal injury and/or property damage! Retain instructions for future reference.

Dayton® Centrifugal Direct-Drive Upblast Exhaust Ventilators

Description

Dayton ventilators are designed for continuous operation to exhaust foul air, fumes, odors and grease-laden vapors. 1-speed and variable-speed ventilators can handle temperatures up to 300°F, 3-speed can handle temperatures up to 130°F. Weather resistant ventilators feature spun aluminum curb, galvanized metal motor base and supports. 3-speed ventilators are UL/cUL Listed, Standard 705. 1-speed (except 6KWJ2 and 6KWJ3) and variable-speed ventilators are UL Listed Subject 762 (YZHW) and comply with NFPA 96 Standard for Ventilation Control and Fire Protection Commercial Cooking Operations. Motor compartment is cooled by fresh outside air. Ventilators are speed controllable, minimum duct velocities must be maintained in kitchen exhaust applications. If a speed controller is used, ensure compliance with all applicable codes.

Ventilators 6KWJ2 and 6KWJ3 feature spark-resistant aluminum wheel, rub ring, factory mounted NEMA 7&9 disconnect switch and explosion proof motor which may be used to exhaust potential flammable particles or fumes. Motors are UL Listed for Class I, Groups C&D and Class II, Groups F&G for hazardous locations.



Dayton Electric Mfg. Co. certifies that the ventilators shown herein are licensed to bear the AMCA seal. The ratings shown are based on tests and procedures performed in accordance with AMCA Publication 211 and AMCA Publication 311 and comply with the requirements of the AMCA Certified Ratings Program.

Certified Ratings Program.

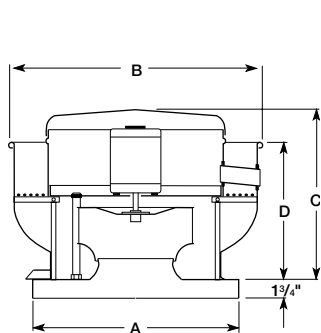


Figure 1 — Roof-Mount Dimensions

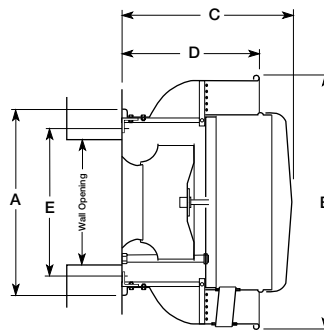


Figure 2 — Wall-Mount Dimensions

Optional Accessories

General or UL 705	
Description	Model No.
NEMA 1 Dis. Switch:	
1H400 (2 pole, 2HP), 1H401 (3 pole, 7½ HP)	
Damper:	3TZ50, 4HX64-4HX70, 4HX72-4HX74, 4HX77
12" Fixed Roof Curb:	2RB75-2RB79
12" Adj. Roof Curb:	2ZV82-2ZV83
Roof Curb Adapter:	3AZK1-3AZK9, 3AZL1-3AZL3
Round to Square Ventilator Base Adapters:	6KWJ4-6KWJ8
Bird Screen:	4YY78-4YY83
Speed Control:	48C172, 48C173, 43Y140

Kitchen or UL 762	
Description	Model No.
NEMA 4 Dis. Switch:	
1H408 (2 pole, 2HP), 1H409 (3 pole, 7½ HP)	
Grease Collector Box:	1RL34, 4HX78
Hinge Kit:	4HX79, 4YY84-4YY86
Clean-Out Port Kit:	3ATV9
24" Fixed Ventilated Roof Curb:	4HX54-4HX57
24" Ventilated Adj. Roof Curb:	4HX61-4HX62

Unpacking

1. Inspect for any damage that may have occurred during transit.
2. Shipping damage claim must be filed with carrier.
3. Check all bolts, screws, set-screws, etc. for looseness that may have occurred during transit. Retighten as required. Rotate wheel by hand to be sure it turns freely.

E
N
G
L
I
S
H

 E
S
P
A
Ñ
O
L

 F
R
A
N
C
A
I
S

Dayton® Centrifugal Direct-Drive Upblast Exhaust Ventilators

Dimensions and Specifications

Model	Wheel Dia.	Shaft Dia.	A	B	C	D	E	Recommended			
								Roof Opening	Damper Size	Speed Control	Volts
ROOF-MOUNT (See Figure 1)											
48C178Δ	8¼"	1/2"	17"	18¾"	13½"	11¾"	—	12½ x 12½"	9 x 9"	Included, 43Y140	115
4HZ32G, 4HZ33G, 5DVN6, 5DVN8	8¼"	5/16	19	18¾"	13½"	11¾"	—	14½ x 14½"	—	48C172	115
5DVP0, 5DVP2, 5DVP4	11	1/2	19	21	13¾"	11½"	—	14½ x 14½"	10 x 10	48C172	115
48C179Δ										Included, 43Y140	115
5DVP6	11	1/2	19	21	15¼"	13¾"	—	14½ x 14½"	10 x 10	48C172	115
4HZ36G	11	1/2	19	24¾"	22	17¾"	—	14½ x 14½"	12 x 12	48C172	115
4HZ37G										48C172	115
4HZ40G	11	1/2	22	24¾"	22	17¾"	—	17½ x 17½"	15 x 15	48C172	115
4HZ41G										48C172	115
5DVR2AΔ										Included, 43Y140	115
48C180Δ	12½"	1/2	19	24¾"	28¼"	17¾"	—	14½ x 14½"	12 x 12	Included, 43Y140	115
5DVP8	12½"	1/2	22	24¾"	23¾"	17¾"	—	17½ x 17½"	15 x 15	48C173	115
48C181Δ	13¼"	1/2	19	24¾"	28¼"	17¾"	—	14½ x 14½"	12 x 12	Included, 43Y140	115
4HZ44G	13¼"	1/2	22	24¾"	23¾"	17¾"	—	17½ x 17½"	15 x 15	48C172	115
4HZ45G										—	115/230
4HZ48G	14¾"	1/2	26	28¾"	24¾"	19¾"	—	21½ x 21½"	19 x 19	48C172	115
4HZ49G										48C172	115
5DVR3AΔ										Included, 43Y140	115
4HZ53G	16½"	1/2	26	28¾"	27¾"	19¾"	—	21½ x 21½"	19 x 19	48C173	115/230
5DVR4AΔ										Included, 43Y140	115
4HZ52G	16½"	5/8	26	28¾"	27¾"	19¾"	—	21½ x 21½"	19 x 19	48C172	115
6KWH7										—	208-230/460
4HZ56G	18½"	1/2	30	35¾"	28¾"	21	—	25½ x 25½"	23 x 23	—	115
4HZ57G										—	115/230
6KWH8										—	208-230/460
48C182Δ	18½"	5/8	30	35¾"	28¾"	21	—	25½ x 25½"	23 x 23	Included, 43Y140	115
5DVR0	21¼"	5/8	30	35¾"	28¾"	21	—	25½ x 25½"	23 x 23	—	230/460
WALL-MOUNT (See Figure 2)											
48C183Δ	8¼"	1/2"	14¾"	18¾"	13½"	11¾"	11¾"	8½ x 8½"	8 x 8"	Included, 43Y140	115
4HZ34G, 4HZ35G, 5DVN7, 5DVN9	8¼"	5/16	14¾"	18¾"	13½"	11¾"	11¾"	8½ x 8½"	8 x 8"	48C172	115
5DVP1, 5DVP3, 5DVP5	11	1/2	17¾"	21	13¾"	11½"	15	10½ x 10½"	10 x 10	48C172	115
48C184Δ										Included, 43Y140	115
5DVP7	11	1/2	17¾"	21	15¼"	13¾"	15	10½ x 10½"	10 x 10	48C172	115
4HZ38G, 4HZ42G	11	1/2	19¾"	24¾"	22	17¾"	16¾"	12½ x 12½"	12 x 12	48C172	115
4HZ39G, 4HZ43G										48C172	115
6KWH9AΔ										Included, 43Y140	115
6KWJ2, 6KWJ3										—	115/208-230
5DVP9	12½"	1/2	19¾"	24¾"	23¾"	17¾"	16¾"	12½ x 12½"	12 x 12	48C173	115
48C185Δ	12½"	1/2	19¾"	24¾"	28¼"	17¾"	16¾"	12½ x 12½"	12 x 12	Included, 43Y140	115
4HZ46G	13¼"	1/2	19¾"	24¾"	23¾"	17¾"	16¾"	12½ x 12½"	12 x 12	48C172	115
4HZ47G										—	115/230
48C186Δ	13¼"	1/2	19¾"	24¾"	28¼"	17¾"	16¾"	12½ x 12½"	12 x 12	Included, 43Y140	115
4HZ50G	14¾"	1/2	22¾"	28¾"	24¾"	19¾"	19¾"	15½ x 15½"	15 x 15	48C172	115
4HZ51G										48C172	115
6KWJ0AΔ										Included, 43Y140	115
4HZ54G	16½"	5/8	22¾"	28¾"	24¾"	19¾"	19¾"	15½ x 15½"	15 x 15	48C172	115
4HZ55G	16½"	1/2	22¾"	28¾"	24¾"	19¾"	19¾"	15½ x 15½"	15 x 15	48C173	115
6KWJ1AΔ										Included, 43Y140	115
4HZ58G	18½"	1/2	27¾"	35¾"	28¾"	21	25	17½ x 17½"	17 x 17	—	115
4HZ59G										—	115/230
48C187Δ	18½"	5/8	27¾"	35¾"	28¾"	21	25	17½ x 17½"	17 x 17	Included, 43Y140	115
5DVR1	21¼"	5/8	27¾"	35¾"	28¾"	21	25	17½ x 17½"	17 x 17	—	208-230/460

(Δ) Ventilators include motor mounted potentiometer dial to adjust speed. Optional remote mount speed control kit 43Y140 can be purchased separately.

Models 4HZ32G thru 4HZ59G, 5DVN6 thru 5DVN9, 5DVP0 thru 5DVP9, 5DVR0, 5DVR1, 5DVR2A thru 5DVR4A, 6KWH7, 6KWH8, 6KWH9A, 6KWJ0A, 6KWJ1A, 6KWJ2, 6KWJ3, 48C178 thru 48C187

Performance

Roof	Model	Wall	Wheel		Fan RPM	Max BHP	Sones @ .250" SP	CFM Air Delivery @ Static Pressure Shown						
			Di.	HP				.000"	.125"	.250"	.375"	.500"	.750"	1.00"
3-SPEED														
4HZ32G	4HZ34G	8¼"	1/30	1050	0.03	—	180	109	—	—	—	—	—	—
				1300		2.9	223	170	97	—	—	—	—	
				1550		4.1	266	222	172	95	—	—	—	
4HZ33G	4HZ35G	8¼"	1/25	1050	0.04	—	287	188	—	—	—	—	—	—
				1300		3.4	356	279	185	—	—	—	—	
				1550		4.9	424	359	291	204	—	—	—	
5DVN6	5DVN7	8¼"	1/60	1050	0.02	—	133	81	—	—	—	—	—	—
				1300		2.5	165	126	70	—	—	—	—	
				1550		4.0	197	164	128	—	—	—	—	
5DVN8	5DVN9	8¼"	1/30	1050	0.03	—	250	171	—	—	—	—	—	—
				1300		2.4	309	255	152	—	—	—	—	
				1550		4.7	369	325	269	160	—	—	—	
5DVP0	5DVP1	11	1/20	1050	0.05	4.2	325	247	133	—	—	—	—	—
				1300		5.5	403	343	272	173	—	—	—	
				1550		7.2	480	431	376	314	235	—	—	
5DVP2	5DVP3	11	1/20	1050	0.06	4.3	389	305	182	—	—	—	—	—
				1300		5.3	481	416	340	235	—	—	—	
				1550		7.4	574	520	461	395	312	—	—	
5DVP4	5DVP5	11	1/15	1050	0.09	4.2	549	451	306	—	—	—	—	—
				1300		5.4	680	600	517	391	—	—	—	
				1550		7.5	811	744	677	604	501	—	—	
5DVP6	5DVP7	11	1/8	1050	0.12	4.5	711	570	381	—	—	—	—	—
				1300		6.4	880	774	641	484	199	—	—	
				1550		8.5	1049	964	861	747	616	—	—	
1-SPEED, 1-PHASE (‡) Motors are UL Listed for use in hazardous locations. (†) Ventilators are 1-SPEED, 3-PHASE														
4HZ36G	4HZ38G	11"	1/6	1140	0.06	8.3	780	656	502	294	—	—	—	—
4HZ37G	4HZ39G, 6KWJ2‡	11	1/4	1725	0.20	13.0	1180	1094	1017	929	824	586	—	—
4HZ40G	4HZ42G	11	1/6	1140	0.09	6.5	970	897	806	707	—	—	—	—
4HZ41G	4HZ43G, 6KWJ3‡	11	1/4	1725	0.29	12.5	1468	1422	1373	1315	1255	1129	970	—
5DVP8	5DVP9	12½"	1/2	1725	0.48	16.7	2037	1979	1923	1869	1816	1710	1571	—
4HZ44G	4HZ46G	13¼"	1/8	860	0.07	7.7	1180	1057	914	675	—	—	—	—
4HZ45G	4HZ47G	13¼"	3/4	1725	0.60	18.4	2366	2305	2244	2183	2122	1994	1838	—
4HZ48G	4HZ50G	14¾"	1/8	860	0.12	7.1	1558	1427	1264	1034	—	—	—	—
4HZ49G	4HZ51G	14¾"	1/4	1140	0.29	11.0	2065	1973	1864	1745	1605	1167	—	—
4HZ52G	4HZ54G	16½"	1/4	860	0.25	9.9	2472	2315	2126	1918	1680	—	—	—
4HZ53G, 6KWH7†	4HZ55G	16½"	3/4	1140	0.58	14.8	3277	3161	3035	2896	2745	2421	1983	—
4HZ56G	4HZ58G	18½"	1/2	860	0.40	11.1	3249	3074	2922	2732	2474	1608	—	—
4HZ57G, 6KWH8†	4HZ59G	18½"	1	1140	0.93	16.5	4307	4173	4045	3927	3822	3470	3072	—
5DVR0†	5DVR1†	21¼"	2	1140	1.74	23	6412	6224	6036	5855	5674	5283	4837	—

Performance certified is for installation type A: Free inlet, Free outlet. Performance ratings do not include the effects of appurtenances (accessories). The sound ratings shown are loudness values in fan sones at 5 ft. (1.5 m) in a hemispherical free field calculated per AMCA Standard 301. Values shown are for installation type A: Free inlet hemispherical sone levels. (‡) Motors are UL Listed for use in hazardous locations. (†) Ventilators are 1-SPEED, 3-PHASE. (Δ) Ventilators include motor mounted potentiometer dial to adjust speed.

ENGLISH



Dayton® Centrifugal Direct-Drive Upblast Exhaust Ventilators

ENGLISH

Performance (Continued)

Roof	Model		Wheel Dia.	HP	Fan RPM	Max BHP	Sones @ .250" SP	CFM Air Delivery @ Static Pressure Shown						
	Wall							.000"	.125"	.250"	.375"	.500"	.750"	1.00"
VARIABLE-SPEED (Δ) Ventilators include motor mounted potentiometer dial to adjust speed.														
48C178Δ	48C183Δ	8¼"	1/6	860	0.01	—	235	95	—	—	—	—	—	—
				1140	0.02	—	312	222	—	—	—	—	—	—
				1725	0.06	6.1	472	413	355	289	199	—	—	—
48C179Δ	48C184Δ	11	1/6	860	0.02	—	450	324	—	—	—	—	—	—
				1140	0.04	4.6	596	505	395	—	—	—	—	—
				1725	0.12	9.4	903	842	782	722	652	420	—	—
5DVR2AΔ	6KWH9AΔ	11	1/4	860	0.04	0.6	732	625	481	—	—	—	—	—
				1140	0.09	6.5	970	897	806	707	—	—	—	—
				1725	0.29	12.5	1468	1422	1373	1315	1255	1129	970	—
48C180Δ	48C185Δ	12½"	1/2	860	0.06	5.6	1015	905	781	581	—	—	—	—
				1140	0.14	8.2	1346	1261	1180	1091	981	—	—	—
				1725	0.48	16.7	2037	1979	1923	1869	1816	1710	1571	—
48C181Δ	48C186Δ	13¾"	3/4	860	0.08	7.7	1180	1057	914	675	—	—	—	—
				1140	0.17	11.8	1564	1471	1379	1280	1144	—	—	—
				1725	0.60	18.4	2366	2305	2244	2183	2122	1994	1838	—
5DVR3AΔ	6KWJ0AΔ	14¾"	3/4	1050	0.22	9.8	1902	1800	1680	1540	1372	—	—	—
				1300	0.43	12.8	2355	2277	2186	2086	1979	1717	1269	—
				1550	0.72	17.5	2808	2743	2671	2594	2509	2329	2110	—
5DVR4AΔ	6KWJ1AΔ	16½"	3/4	550	0.07	—	1581	1303	—	—	—	—	—	—
				860	0.25	9.9	2472	2315	2156	1918	1680	—	—	—
				1140	0.58	14.8	3277	3161	3035	2896	2745	2421	1983	—
48C182Δ	48C187Δ	18½"	1	745	0.26	8.1	2815	2617	2448	2143	1763	—	—	—
				860	0.40	11.1	3249	3074	2922	2732	2474	—	—	—
				1000	0.63	14.7	3778	3625	3486	3362	3190	2738	—	—

Performance certified is for installation type A: Free inlet, Free outlet. Performance ratings do not include the effects of appurtenances (accessories). The sound ratings shown are loudness values in fan sones at 5 ft. (1.5 m) in a hemispherical free field calculated per AMCA Standard 301. Values shown are for installation type A: Free inlet hemispherical sone levels. (†) Motors are UL Listed for use in hazardous locations. (†) Ventilators are 1-SPEED, 3-PHASE. (Δ) Ventilators include motor mounted potentiometer dial to adjust speed.

General Safety Information

⚠ DANGER Do not depend on any switch as the sole means of disconnecting power when installing or servicing the fan. Always disconnect, lock and tag power source before installing or servicing. Failure to disconnect power source can result in fire, shock or serious injury. Motor will restart without warning after thermal protector trips. Do not touch operating motor, it may be hot enough to cause injury.

⚠ DANGER Do not place any body parts or objects in fan, motor openings or drives while motor is connected to power source.

⚠ WARNING Do not use this equipment in explosive atmospheres unless motor and disconnect are suitable for use in hazardous environments.

1. Read and follow all instructions and cautionary markings. Make sure electrical power source conforms to requirements of equipment and local codes.
2. Ventilators should be assembled, installed and serviced by a qualified technician. Have all electrical work performed by a qualified electrician.
3. Follow all local electrical and safety codes in the United States and Canada, as well as the National Electrical Code (NEC), the Occupational Safety and Health Act (OSHA), and the National Fire Protection Association (NFPA) Bulletin 96 in the United States. Ground motor in accordance with NEC Article

250 (grounding). Follow the Canadian Electric Code (CEC) in Canada.

⚠ CAUTION To reduce the risk of injury to persons, observe the following:
OSHA requires OSHA complying guards when fan is installed within 7 feet of floor or working level.
UL/cUL Standards require OSHA complying guards when fan is installed within 8 feet of floor or working level.

4. Do not kink power cable or allow it to come in contact with sharp objects, oil, grease, hot surfaces or chemicals. Replace damaged cords immediately.
5. Make certain that the power source conforms to the requirements for the equipment.

Models 4HZ32G thru 4HZ59G, 5DVN6 thru 5DVN9, 5DVP0 thru 5DVP9, 5DVR0, 5DVR1, 5DVR2A thru 5DVR4A, 6KWH7, 6KWH8, 6KWH9A, 6KWJ0A, 6KWJ1A, 6KWJ2, 6KWJ3, 48C178 thru 48C187

ENGLISH

General Safety Information (Continued)

- Never open access door to a duct with the ventilator running.
- Motor must be securely and adequately grounded. This can be accomplished by wiring with a grounded, metal-clad race way system by using a separate ground wire connected to the bare metal of the motor frame, or other suitable means.

Installation

▲ WARNING *Installation, troubleshooting and parts replacement is to be performed only by a qualified personnel. Consult and follow NFPA 96 recommendations. NFPA 96 instructions supercede this document.*

▲ WARNING *Do not use a damper or speed control in any kitchen exhaust application.*

▲ CAUTION *Do not raise ventilator by its windband; use a sling or platform.*

ROOF-MOUNT

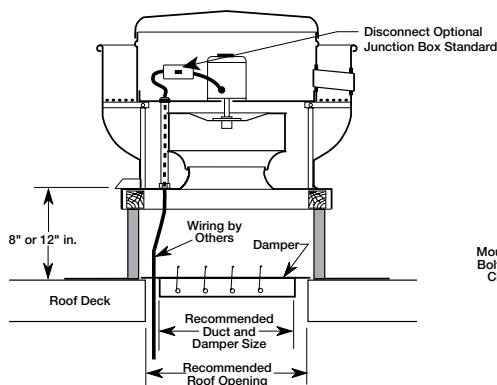


Figure 3 — Typical Roof-Mount

- Cut an appropriate sized hole in the roof surface. Follow curb manufacturer's installation

- instructions. Caulk and flash curb to ensure a water tight seal.
- Install optional backdraft damper. Secure damper flange to curb damper tray, with fasteners provided.
- Remove motor cover by removing fasteners.
- Place ventilator on curb.
- Secure ventilator to roof curb using a minimum of eight fasteners.
- Check ventilator wheel for free rotation.
- Check all fasteners for tightness.
- Install NEC 70 requirements for Restaurant Exhaust of Appliances.
- Mount and wire safety disconnect switch under ventilator cover and wire motor per connection wiring diagram. See Electrical Connection, Figure 7, page 6. Wire control switches at ground level.
- Replace motor cover.
- A drain trough is provided on all Dayton roof mount upblast ventilators. Collection for grease and residue must be provided.

WALL-MOUNT

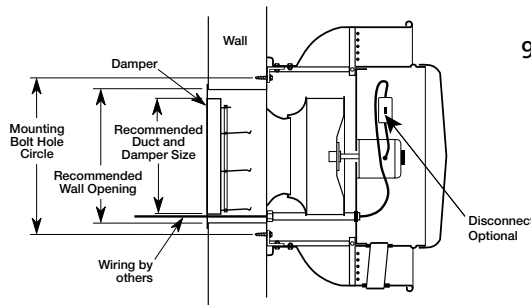


Figure 4 — Typical Wall-Mount

- Remove venturi mounting plate from ventilator by removing the fasteners.

- Remove motor cover by removing fasteners.
- Locate the mounting plate at the desired position and check to avoid unit clearance problems (buildings and people).
- Cut the appropriate size square opening in the wall.
- Install optional backdraft damper with directional arrow pointing up.
- Locate top of mounting plate and attach to the wall structure. The fasteners must pass through the holes provided in the mounting angle clips on the mounting plate. For uneven surfaces, shims may be required.
- Sealant or caulking should be applied in the groove formed by the mounting plate and the wall to prevent moisture leakage into the building. Run electrical cable from within building, through the damper clearance hole and ventilator conduit chase to the motor compartment.
- Re-attach ventilator to the mounting plate. The unit should be aligned with the breather tube pointing straight down.
- Guide conduit tube through the hole in the motor support pan. Horizontal support channels should slide over the mounting angle clips on the mounting plate until the holes in the windband and clips are aligned. Replace fasteners and tighten.
- Mount and wire safety disconnect switch under ventilator cover and wire motor per connection wiring diagram on motor. Wire control

Dayton® Centrifugal Direct-Drive Upblast Exhaust Ventilators

ENGLISH

Installation (Continued)

switches at ground level. Refer to Electrical Connection, Figure 7.

11. Replace motor cover.

UL 762 COMMERCIAL KITCHEN

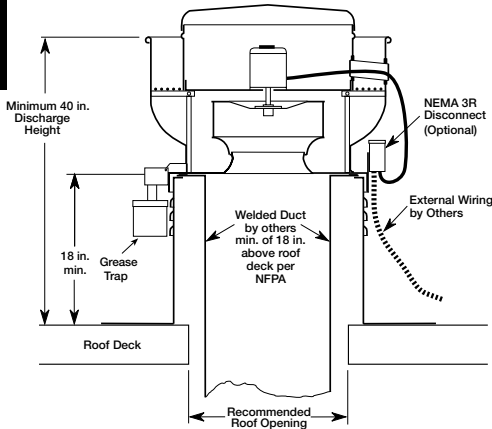


Figure 5 — Kitchen Roof-Mount

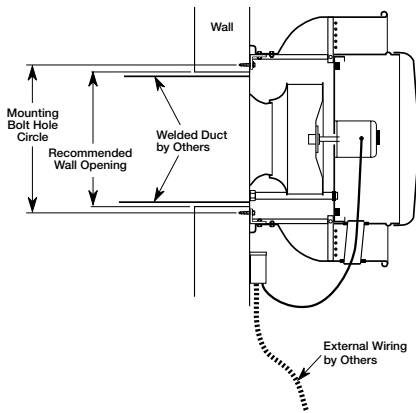


Figure 6 — Kitchen Wall-Mount

1. Install per NFPA 96 requirements for restaurant exhaust appliances.
2. Use optional grease collector box, hinge kit, external junction box.

⚠ WARNING Do not use a damper any kitchen exhaust application.

3. Duct size must be equal to or larger than inlet opening. Some local codes

require a continuous weld between duct and inlet. Keep motor cooling tube clear.

ELECTRICAL CONNECTION

NOTE: Refer to motor nameplate for wiring procedures. Refer to switch manufacturer for installation and wiring procedures. Minimum duct velocities must be maintained in kitchen exhaust applications. If a speed controller is used, ensure compliance with all applicable codes.

NOTE: Exhaust fans used in kitchen ventilation applications must have external wiring.

NOTE: Motor and disconnect must be classified as hazardous for 6KWJ2 and 6KWJ3 fans to be suitable for use in hazardous environments. Installation must be performed by a qualified personnel with suitable motor and disconnect for application.

1. Motor and fan must be securely grounded (bare metal) to a suitable electric ground, such as a grounded water pipe or ground wire system.

NOTE: Refer to Figure 7 for connection wiring diagram.

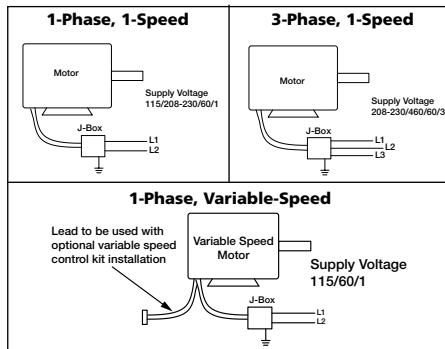


Figure 7 — Typical Wiring Diagram Operation

1. Before starting up or operating, check all fasteners for tightness. In particular, check set screws in wheel

hub (and sheaves, if applicable). While in the OFF position, or before connecting the ventilator to power, turn the fan wheel by hand to be sure it is not striking the orifice or any obstacle.

2. Start the ventilator up and shut it off immediately to check rotation of the wheel with directional arrow in the motor compartment. Ventilator wheel should rotate **clockwise** when viewed from the top.
3. When the ventilator is started, observe the operation and check for any unusual noises. Keep inlets and approaches to ventilator clean and free from obstruction.
4. With the system in full operation and all duct work attached, measure current input to the motor and compare with the nameplate rating to determine if the motor is operating under safe load conditions.
5. Variable speed motors can be controlled two ways.
 - a. A motor mounted potentiometer is mounted on the case of the motor to adjust the speed manually. Turn the potentiometer using a screwdriver to adjust the speed.

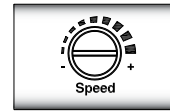


Figure 8 — Variable Speed Adjustment

- b. The motor includes a capped motor lead that can be connected to a Dayton variable speed control kit. The motor lead cap can be removed and connected to the nine-pin motor/transformer harness lead. Follow installation instructions provided with optional speed control kit.

Models 4HZ32G thru 4HZ59G, 5DVN6 thru 5DVN9, 5DVP0 thru 5DVP9, 5DVR0, 5DVR1, 5DVR2A thru 5DVR4A, 6KWH7, 6KWH8, 6KWH9A, 6KWJ0A, 6KWJ1A, 6KWJ2, 6KWJ3, 48C178 thru 48C187

Maintenance

⚠ WARNING *Disconnect and lockout power source before servicing.*

⚠ CAUTION *Uneven cleaning of the wheel will produce an out of balance condition that will cause vibration in the ventilator.*

1. Keep inlets and approaches to ventilator clean and free from obstruction. Depending on the usage and severity of the contaminated air, a regularly scheduled inspection for cleaning the fan wheel, ventilator, and surrounding areas should be established. Severe applications may require weekly inspection.
2. Check for unusual noises when fan is running.
3. Periodically inspect and tighten set-screws.
4. Follow NEC 70 for cleaning when ventilators are installed on Restaurant Exhaust Appliances.
5. Follow motor manufacturer's instructions for motor lubrication.
6. For disassembly of the motor or wheel, refer to the parts illustration.
7. Grease containers must be emptied at regular intervals to prevent overflow.

Trouble Shooting Chart

Symptom	Possible Cause(s)	
Ventilator Inoperative	<ol style="list-style-type: none"> 1. Blown fuse or breaker 2. Defective motor 3. Incorrectly wired 	<ol style="list-style-type: none"> 1. Replace or repair 2. Replace or repair 3. Shut power OFF and check wiring for proper connections
Insufficient airflow	<ol style="list-style-type: none"> 1. Blocked duct or clogged filters 2. Damper closed 3. Incorrect wheel rotation 4. Loose fitting duct sections permitting air loss 	<ol style="list-style-type: none"> 1. Clean or replace 2. Inspect/repair 3. Check motor wiring 4. Check for secure connection in duct joints
Excessive noise or vibration	<ol style="list-style-type: none"> 1. Loose wheel 2. Accumulation of material on wheel 3. Ventilator base not securely anchored 4. Motor hood loose and rattling 5. Fan wheel out of balance 	<ol style="list-style-type: none"> 1. Tighten set screws 2. Clean 3. Secure properly 4. Tighten acorn nuts securing motor hood 5. Replace wheel
Motor overloads or overheats	<ol style="list-style-type: none"> 1. Shorted motor winding 2. Incorrect wheel rotation 3. Over/Under line voltage 	<ol style="list-style-type: none"> 1. Replace motor 2. Check motor wiring 3. Contact power company

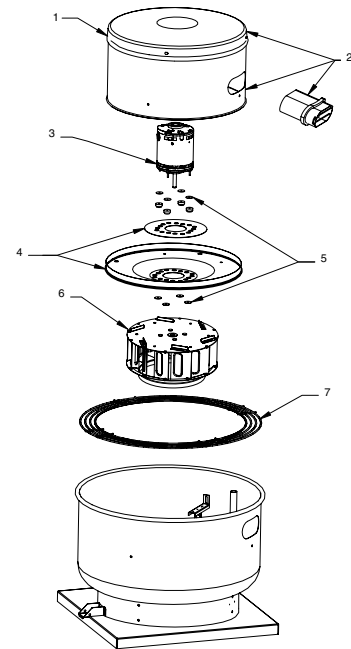
E
N
G
L
I
S
H

For Repair Parts, call 1-800-Grainger

24 hours a day – 365 days a year

Please provide following information:

- Model number
- Serial number (if any)
- Part description and number as shown in parts list



Repair Parts List For Centrifugal Direct-Drive Upblast Roof-Mount Exhaust Ventilators

Ref. No.	Description	Part Number For Models:									Qty.
		4HZ32G	4HZ33G	4HZ36G	4HZ37G	4HZ40G	4HZ41G	4HZ44G	4HZ45G	4HZ48G	
1	Cover	21DY72	21DY72	21DY73	21DY73	21DY73	21DY73	21DY73	21DY73	21DY74	1
2	Hood Assembly	21DZ07	21DZ07	21DZ09	21DZ09	21DZ09	21DZ09	21DZ09	21DZ09	21DZ71	1
3	Motor	4YU32	4YU33	4YU23	4YU27	4YU23	4YU27	4YU19	4YU29	4YU19	1
4	Support Plate	21DY78	21DY78	21DZ30	21DZ33	21DZ33	21DZ33	21DY10	21DY10	21DZ53	1
5	Isolator Kit	21DZ10	21DZ10	21DZ10	21DZ10	21DZ10	21DZ10	21DZ10	21DZ10	21DY93	1
6	Wheel	21DY84	21DY86	21DY89	21DY89	21DY91	21DY91	21DZ46	21DZ46	21DW39	1
7	Birdscreen	4ZA27	4ZA27	4YY78	4YY78	4YY78	4YY78	4YY78	4YY78	4YY79	1

Ref. No.	Description	Part Number For Models:									Qty.
		4HZ49G	4HZ52G	4HZ53G	4HZ56G	4HZ57G	5DVN6	5DVN8	5DVP0	5DVP2	
1	Cover	21DY74	21DY74	21DY74	21DY75	21DY75	21DY72	21DY72	21DW30	21DW30	1
2	Hood Assembly	21DZ71	21DZ71	21DZ71	21DZ72	21DZ72	21DZ07	21DZ07	21DW41	21DW41	1
3	Motor	4YY54	4YU20	4YY55	4YU22	4YU26	21DW27	4YU32	1AGF8	1AGF8	1
4	Support Plate	21DZ53	21DZ53	21DZ32	21DW38	21DZ35	21DY78	21DY78	21DW31	21DW31	1
5	Isolator Kit	21DY93	21DY93	21DY93	21DY93	21DY93	21DZ10	21DZ10	21DZ10	21DZ10	1
6	Wheel	21DW39	21DZ44	21DX68	21DZ54	21DZ54	21DW32	21DY85	21DW33	21DP30	1
7	Birdscreen	4YY79	4YY79	4YY79	4YY80	4YY80	4ZA27	4ZA27	21DW49	21DW49	1

Ref. No.	Description	Part Number For Models:									Qty.
		5DVP4	5DVP6	5DVP8	5DVR0	5DVR2A	5DVR3A	5DVR4A	6KWH7	6KWH8	
1	Cover	21DW30	21DW30	21DY73	21DY75	21DY73	21DY74	21DY74	21DY74	21DY75	1
2	Hood Assembly	21DW41	21DW41	21DZ09	21DZ72	21DZ09	21DZ71	21DZ71	21DZ05	21DV76	1
3	Motor	21DW28	4YU34	4YU28	21DW29	43Y136	43Y138	43Y138	21DV61	21DV66	1
4	Support Plate	21DW31	21DW31	21DZ31	21DW38	21DZ33	21DZ53	21DZ53	21DV79	21DV77	1
5	Isolator Kit	21DZ10	21DZ10	21DZ10	21DV98	21DZ10	21DY93	21DY93	21DY99	21DZ04	1
6	Wheel	21DW34	21DY87	21EC48	21DW37	21DY91	29PH76	21DZ44	21DZ44	21DV74	1
7	Birdscreen	21DW49	21DW49	4YY78	4YY80	4YY78	4YY79	4YY79	4YY79	4YY80	1

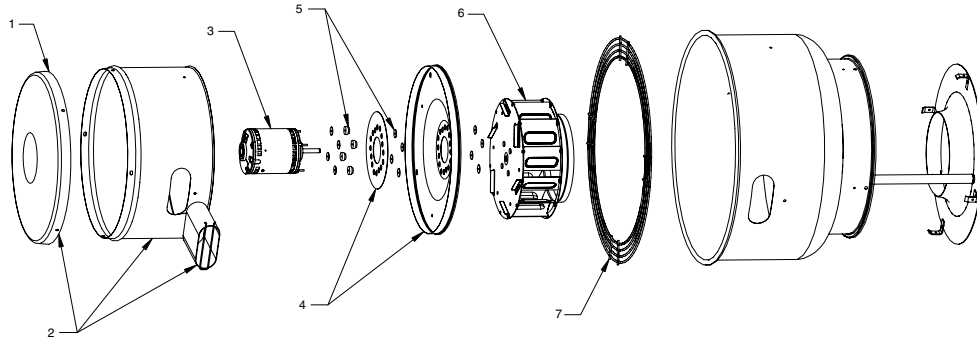
Ref. No.	Description	Part Number For Models:					Qty.
		48C178	48C179	48C180	48C181	48C182	
1	Cover	21DY72	21DW30	21DY73	21DY73	21DY75	1
2	Hood Assembly	21DZ07	21DW41	21DZ09	21DZ09	21DZ72	1
3	Motor	43Y135	43Y135	43Y137	43Y138	43Y139	1
4	Support Plate	21DY78	21DW31	21DZ31	21DY10	21DW38	1
5	Isolator Kit	21DZ08	21DZ08	21DZ10	21DZ10	21DY93	1
6	Wheel	21DY77	21DW34	21EC48	21DY09	21DW17	1
7	Birdscreen	4ZA27	21DW49	4YY78	4YY78	4YY80	1

For Repair Parts, call 1-800-Grainger

24 hours a day – 365 days a year

Please provide following information:

- Model number
- Serial number (if any)
- Part description and number as shown in parts list



Repair Parts List For Centrifugal Direct-Drive Upblast Wall-Mount Exhaust Ventilators

Ref. No.	Description	Part Number For Models:									Qty.
		4HZ34G	4HZ35G	4HZ38G	4HZ39G	4HZ42G	4HZ43G	4HZ46G	4HZ47G	4HZ50G	
1	Cover	21DY72	21DY72	21DY73	21DY73	21DY73	21DY73	21DY73	21DY73	21DY74	1
2	Hood Assembly	21DZ07	21DZ07	21DZ09	21DZ09	21DZ09	21DZ09	21DZ09	21DZ15	21DZ16	1
3	Motor	4YU32	4YU33	4YU23	4YU27	4YU23	4YU27	4YU19	4YU29	4YU19	1
4	Support Plate	21DY78	21DY78	21DZ30	21DZ30	21DZ33	21DZ33	21DY10	6366516	21DZ53	1
5	Isolator Kit	21DZ10	21DZ10	21DZ10	21DZ10	21DZ10	21DZ10	21DZ10	21DZ04	21DY93	1
6	Wheel	21DY84	21DY86	21DY89	21DY89	21DY91	21DY91	21DZ46	21DZ46	21DW39	1
7	Birdscreen	4ZA27	4ZA27	4YY78	4YY78	4YY78	4YY78	4YY78	4YY78	4YY79	1

Ref. No.	Description	Part Number For Models:									Qty.
		4HZ51G	4HZ54G	4HZ55G	4HZ58G	4HZ59G	5DVN7	5DVN9	5DVP1	5DVP3	
1	Cover	21DY74	21DY74	21DY74	21DY75	21DY75	21DY72	21DY72	21DW30	21DW30	1
2	Hood Assembly	21DZ71	21DZ16	21DZ16	21DZ72	21DZ72	21DZ07	21DZ07	21DW41	21DW41	1
3	Motor	4YY54	4YU20	4YY55	4YU22	4YU26	21DW27	4YU32	1AGF8	1AGF8	1
4	Support Plate	21DZ53	21DZ53	21DZ32	21DZ35	21DZ35	21DY78	21DY78	21DW31	21DW31	1
5	Isolator Kit	21DZ10	21DZ10	21DZ04	21DZ10	21DZ10	21DZ10	21DZ10	21DZ10	21DZ10	1
6	Wheel	21DW39	21DZ44	21DX68	21DZ54	21DZ54	21DW32	21DY85	21DW33	21DP30	1
7	Birdscreen	4YY79	4YY79	4YY79	4YY80	4YY80	4ZA27	4AZ27	21DW49	21DW49	1

Ref. No.	Description	Part Number For Models:									Qty.
		5DVP5	5DVP7	5DVP9	5DVR1	6KWH9A	6KWJ0A	6KWJ1A	6KWJ2	6KWJ3	
1	Cover	21DW30	21DW30	21DY73	21DY75	21DY73	21DY74	21DY74	21DY73	21DY73	1
2	Hood Assembly	21DW41	21DW41	21DZ09	21DZ72	21DZ09	21DZ16	21DZ16	21DZ02	21DZ02	1
3	Motor	21DW28	4YU34	4YU28	21DW29	43Y136	43Y138	43Y138	21DV65‡	21DV65‡	1
4	Support Plate	21DW31	21DW31	21DY10	21DW38	21DZ10	21DY93	21DZ04	21DV78	21DV80	1
(*)	Aluminum Rub Ring	—	—	—	—	—	—	—	21DP94	21DP94	1
5	Isolator Kit	21DZ10	21DZ10	21DZ10	21DV98	21DZ33	21DZ53	21DZ32	21DZ04	21DZ04	1
6	Wheel	21DW34	21DY87	21EC48	21DW37	21DY91	29PH76	21DZ44	21DV72	21DV73	1
7	Birdscreen	21DW49	21DW49	4YY78	4YY80	4YY78	4YY79	4YY79	4YY78	4YY78	1

Ref. No.	Description	Part Number For Models:					Qty.
		48C183	48C184	48C185	48C186	48C187	
1	Cover	21DY72	21DW30	21DY73	21DY73	21DY75	1
2	Hood Assembly	21DZ07	21DW41	21DZ09	21DZ09	21DZ72	1
3	Motor	43Y135	43Y135	43Y137	43Y138	43Y139	1
4	Support Plate	21DY78	21DW31	21DZ31	21DY10	21DZ35	1
5	Isolator Kit	21DZ08	21DZ08	21DZ10	21DZ10	21DZ10	1
6	Wheel	21DY86	21DW34	21EC48	21DY09	21DW17	1
7	Birdscreen	4ZA27	21DW49	4YY78	4YY78	4YY80	1

(*) Not shown. For use with 6KWJ2 and 6KWJ3 in potentially hazardous locations.

(‡) Motors are UL Listed for Class I, Groups C&D and Class II, Groups F&G for hazardous locations.

ENGLISH

Dayton® Centrifugal Direct-Drive Upblast Exhaust Ventilators

E
N
G
L
I
S
H

LIMITED WARRANTY

DAYTON ONE-YEAR LIMITED WARRANTY. DAYTON® MODELS COVERED IN THIS MANUAL, ARE WARRANTED BY DAYTON ELECTRIC MFG. CO. (DAYTON) TO THE ORIGINAL USER AGAINST DEFECTS IN WORKMANSHIP OR MATERIALS UNDER NORMAL USE FOR ONE YEAR AFTER DATE OF PURCHASE. ANY PART WHICH IS DETERMINED TO BE DEFECTIVE IN MATERIAL OR WORKMANSHIP AND RETURNED TO AN AUTHORIZED SERVICE LOCATION, AS DAYTON DESIGNATES, SHIPPING COSTS PREPAID, WILL BE, AS THE EXCLUSIVE REMEDY, REPAIRED OR REPLACED AT DAYTON'S OPTION. FOR LIMITED WARRANTY CLAIM PROCEDURES, SEE "PROMPT DISPOSITION" BELOW. THIS LIMITED WARRANTY GIVES PURCHASERS SPECIFIC LEGAL RIGHTS WHICH VARY FROM JURISDICTION TO JURISDICTION.

LIMITATION OF LIABILITY. TO THE EXTENT ALLOWABLE UNDER APPLICABLE LAW, DAYTON'S LIABILITY FOR CONSEQUENTIAL AND INCIDENTAL DAMAGES IS EXPRESSLY DISCLAIMED. DAYTON'S LIABILITY IN ALL EVENTS IS LIMITED TO AND SHALL NOT EXCEED THE PURCHASE PRICE PAID.

WARRANTY DISCLAIMER. A DILIGENT EFFORT HAS BEEN MADE TO PROVIDE PRODUCT INFORMATION AND ILLUSTRATE THE PRODUCTS IN THIS LITERATURE ACCURATELY; HOWEVER, SUCH INFORMATION AND ILLUSTRATIONS ARE FOR THE SOLE PURPOSE OF IDENTIFICATION, AND DO NOT EXPRESS OR IMPLY A WARRANTY THAT THE PRODUCTS ARE MERCHANTABLE, OR FIT FOR A PARTICULAR PURPOSE, OR THAT THE PRODUCTS WILL NECESSARILY CONFORM TO THE ILLUSTRATIONS OR DESCRIPTIONS. EXCEPT AS PROVIDED BELOW, NO WARRANTY OR AFFIRMATION OF FACT, EXPRESSED OR IMPLIED, OTHER THAN AS STATED IN THE "LIMITED WARRANTY" ABOVE IS MADE OR AUTHORIZED BY DAYTON.

Technical Advice and Recommendations, Disclaimer. Notwithstanding any past practice or dealings or trade custom, sales shall not include the furnishing of technical advice or assistance or system design. Dayton assumes no obligations or liability on account of any unauthorized recommendations, opinions or advice as to the choice, installation or use of products.

Product Suitability. Many jurisdictions have codes and regulations governing sales, construction, installation, and/or use of products for certain purposes, which may vary from those in neighboring areas. While attempts are made to assure that Dayton products comply with such codes, Dayton cannot guarantee compliance, and cannot be responsible for how the product is installed or used. Before purchase and use of a product, review the product applications, and all applicable national and local codes and regulations, and be sure that the product, installation, and use will comply with them.

Certain aspects of disclaimers are not applicable to consumer products; e.g., (a) some jurisdictions do not allow the exclusion or limitation of incidental or consequential damages, so the above limitation or exclusion may not apply to you; (b) also, some jurisdictions do not allow a limitation on how long an implied warranty lasts, consequently the above limitation may not apply to you; and (c) by law, during the period of this Limited Warranty, any implied warranties of implied merchantability or fitness for a particular purpose applicable to consumer products purchased by consumers, may not be excluded or otherwise disclaimed.

Prompt Disposition. A good faith effort will be made for prompt correction or other adjustment with respect to any product which proves to be defective within limited warranty. For any product believed to be defective within limited warranty, first write or call dealer from whom the product was purchased. Dealer will give additional directions. If unable to resolve satisfactorily, write to Dayton at address below, giving dealer's name, address, date, and number of dealer's invoice, and describing the nature of the defect. Title and risk of loss pass to buyer on delivery to common carrier. If product was damaged in transit to you, file claim with carrier.

Por favor lea y guarde estas instrucciones. Léalas cuidadosamente antes de tratar de montar, instalar, operar o dar mantenimiento al producto aquí descrito. Protéjase usted mismo y a los demás observando toda la información de seguridad. ¡El no cumplir con las instrucciones puede ocasionar daños, tanto personales como a la propiedad! Guarde estas instrucciones para referencia en el futuro.

Extractores Centrífugos de Transmisión Directa de Tiro Hacia Arriba Dayton®

Descripción

Los ventiladores Dayton están diseñados para brindar un funcionamiento continuo con el fin de proporcionar un escape para el aire tóxico, los humos, los olores y los vapores cargados de grasa. Todos los ventiladores de 1 velocidad y los de velocidad variable pueden soportar temperaturas de hasta 149 °C, los de 3 velocidades pueden soportar temperaturas de hasta 54° C. Los ventiladores resistentes a las inclemencias del tiempo cuentan con una base de montaje fija de aluminio moldeado por centrifugación, una base de motor y soportes de metal galvanizado. Los ventiladores de 3 velocidades aparecen en las listas de UL/cUL, Norma 705. Los ventiladores de 1 velocidad (excepto 6KWJ2 y 6KWJ3) y los de velocidad variable aparecen en la lista de UL Tema 762 (YZHW) y cumplen con la norma de NFPA 96 para las operaciones de control de ventilación y protección contra incendios de cocinas comerciales. El compartimiento del motor se enfría con aire fresco exterior. Los ventiladores tienen velocidad controlable, se deben mantener velocidades de conducto mínimas en aplicaciones de extracción en cocinas. Si se usa un controlador de velocidad, garantice el cumplimiento de todos los códigos correspondientes.

Los ventiladores 6KWJ2 y 6KWJ3 cuentan con una rueda de aluminio resistente a las chispas, un anillo de roce, un interruptor de desconexión NEMA 7 y 9 montado en fábrica y un motor a prueba de explosiones, el cual se puede usar para extraer partículas o vapores posiblemente inflamables. Los motores cuentan con clasificación UL para Clase I, Grupos C&D y Clase II, Grupos F&G para lugares peligrosos.



Dayton Electric Mfg. Co. certifica que los ventiladores que aquí se muestran tienen licencia para llevar el sello AMCA. Los niveles que se muestran se basan en pruebas y procedimientos realizados según la Publicación 211 y 311 de AMCA y cumplen los requisitos del Programa Certified Ratings de AMCA.

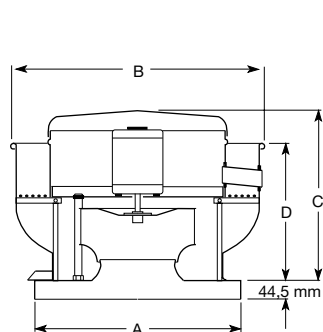


Figura 1 — Dimensiones del Montaje en Techo

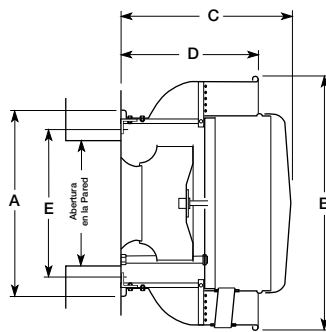


Figura 2 — Dimensiones de Montaje en Pared

Accesorios Opcionales

Descripción	General o UL 705 N° de Modelo
Desconexión NEMA 1 Interruptor:	
1H400 (bipolar, 2 HP), 1H401 (tripolar, 7½ HP)	
Regulador de tiro:	3TZ50, 4HX64-4HX70, 4HX72-4HX74, 4HX77
Base de Montaje Fija de Techo de 30,5 cm:	2RB75-2RB79
Base de Montaje de Techo Adyacente de 30,5 cm:	2ZV82-2ZV83
Adaptador para Base de Montaje de Techo:	3AZK1-3AZK9, 3AZL1-3AZL3
Filtro para Pájaros:	4YY78-4YY83
Control de Velocidad:	48C172, 48C173, 43Y140

Descripción	Cocina o UL 762 N° de Modelo
Desconexión NEMA 4 Interruptor:	
1H408 (bipolar, 2 HP), 1H409 (tripolar, 7½ HP)	
Caja Colectora de Grasa:	1RL34, 4HX78
Juego de Bisagras:	4HX79, 4YY84-4YY86
Juego de Puerto de Limpieza:	3ATV9
Base de Montaje Fija de Techo Ventilada de 61,0 cm:	4HX54-4HX57
Base de Montaje de Techo Adyacente Ventilada de 61,0 cm:	4HX61-4HX62

ESPAÑOL

Desembalaje

1. Revise si existen daños que se puedan haber producido durante el transporte.
2. Se debe presentar una queja por daños de transporte a la empresa de transporte.
3. Compruebe que ninguno de los pernos, tornillos o tornillos de fijación se haya soltado durante el transporte. Vuelva a apretarlos según sea necesario. Gire la rueda con la mano para asegurarse de que gire libremente.

Extractores Centrífugos de Transmisión Directa de Tiro Hacia Arriba Dayton®

Dimensiones y Especificaciones

Modelo	Diám. de la Rueda	Diá. del Eje	A	B	C	D	E	Recomendado			Voltios	
								Abertura en el Techo	Tamaño del Regulador de Tiro	Control de Velocidad		
MONTAJE DE TECHO (consulte la Figura 1)												
48C178Δ	21,0 cm	1,3 cm	43,2 cm	46,7 cm	34,3 cm	28,9 cm	—	31,8 x 31,8 cm	22,9 x 22,9 cm	Se incluye, 43Y140	115	
4HZ32G, 4HZ33G, 5DVN6, 5DVN8	21,0	0,8	48,3	46,7	34,3	28,9	—	36,8 x 36,8	—	48C172	115	
5DVP0, 5DVP2, 5DVP4	27,9	1,3	48,3	53,3	34,0	29,2	—	36,8 x 36,8	25,4 x 25,4	48C172	115	
48C179Δ										Se incluye, 43Y140	115	
5DVP6	27,9	1,3	48,3	53,3	38,7	34,0	—	36,8 x 36,8	25,4 x 25,4	48C172	115	
4HZ36G	27,9	1,3	48,3	63,2	55,9	44,1	—	36,8 x 36,8	30,5 x 30,5	48C172	115	
4HZ37G										48C172	115	
4HZ40G	27,9	1,3	55,9	63,2	55,9	44,1	—	44,5 x 44,5	38,1 x 38,1	48C172	115	
4HZ41G										48C172	115	
5DVR2AA										Se incluye, 43Y140	115	
48C180Δ	31,8	1,3	48,3	63,2	71,8	44,1	—	36,8 x 36,8	30,5 x 30,5	Se incluye, 43Y140	115	
5DVP8	31,8	1,3	55,9	63,2	60,3	44,1	—	44,5 x 44,5	38,1 x 38,1	48C173	115	
48C181Δ	33,7	1,3	48,3	63,2	71,8	44,1	—	36,8 x 36,8	30,5 x 30,5	Se incluye, 43Y140	115	
4HZ44G	33,7	1,3	55,9	63,2	60,3	44,1	—	44,5 x 44,5	38,1 x 38,1	48C172	115	
4HZ45G										—	115/230	
4HZ48G	37,5	1,3	66,0	73,3	62,9	49,2	—	54,6 x 54,6	48,3 x 48,3	48C172	115	
4HZ49G										48C172	115	
5DVR3AA										Se incluye, 43Y140	115	
4HZ53G	41,9	1,3	66,0	73,3	68,9	49,2	—	54,6 x 54,6	48,3 x 48,3	48C173	115/230	
5DVR4AA										Se incluye, 43Y140	115	
4HZ52G	41,9	1,6	66,0	73,3	68,9	49,2	—	54,6 x 54,6	48,3 x 48,3	48C172	115	
6KWH7										—	208-230/460	
4HZ56G	47,0	1,3	76,2	89,9	72,7	53,3	—	64,8 x 64,8	58,4 x 58,4	—	115	
4HZ57G										—	115/230	
6KWH8										—	208-230/460	
48C182Δ	47,0	1,6	76,2	89,9	72,7	53,3	—	64,8 x 64,8	58,4 x 58,4	Se incluye, 43Y140	115	
5DVR0	54,0	1,6	76,2	89,9	72,7	53,3	—	64,8 x 64,8	58,4 x 58,4	—	230/460	
MONTAJE DE PARED (consulte la Figura 2)												
48C183Δ	21,0 cm	1,3 cm	37,5 cm	46,7 cm	34,3 cm	28,9 cm	29,8 cm	21,6 x 21,6 cm	20,3 x 20,3 cm	Se incluye, 43Y140	115	
4HZ34G, 4HZ35G, 5DVN7, 5DVN9	21,0	0,8	37,5	46,7	34,3	28,9	29,8	21,6 x 21,6	20,3 x 20,3	48C172	115	
5DVP1, 5DVP3, 5DVP5	27,9	1,3	45,4	53,3	34,0	29,2	38,1	26,7 x 26,7	25,4 x 25,4	48C172	115	
48C184Δ										Se incluye, 43Y140	115	
5DVP7	27,9	1,3	45,4	53,3	38,7	34,0	38,1	26,7 x 26,7	25,4 x 25,4	48C172	115	
4HZ38G, 4HZ42G	27,9	1,3	50,2	63,2	55,9	44,1	42,9	31,8 x 31,8	30,5 x 30,5	48C172	115	
4HZ39G, 4HZ43G										48C172	115	
6KWH9AA										Se incluye, 43Y140	115	
6KWJ2, 6KWJ3										—	115/208-230	
5DVP9	31,8	1,3	50,2	63,2	60,3	44,1	42,9	31,8 x 31,8	30,5 x 30,5	48C173	115	
48C185Δ	31,8	1,3	50,2	63,2	71,8	44,1	42,9	31,8 x 31,8	30,5 x 30,5	Se incluye, 43Y140	115	
4HZ46G	33,7	1,3	50,2	63,2	60,3	44,1	42,9	31,8 x 31,8	30,5 x 30,5	48C172	115	
4HZ47G										—	115/230	
48C186Δ	33,7	1,3	50,2	63,2	71,8	44,1	42,9	31,8 x 31,8	30,5 x 30,5	Se incluye, 43Y140	115	
4HZ50G	37,5	1,3	56,2	73,3	62,9	49,2	49,2	39,4 x 39,4	38,1 x 38,1	48C172	115	
4HZ51G										48C172	115	
6KWJ0AA										Se incluye, 43Y140	115	
4HZ54G	41,9	1,6	56,2	73,3	62,9	49,2	49,2	39,4 x 39,4	38,1 x 38,1	48C172	115	
4HZ55G	41,9	1,3	56,2	73,3	62,9	49,2	49,2	39,4 x 39,4	38,1 x 38,1	48C173	115	
6KWJ1AA										Se incluye, 43Y140	115	
4HZ58G	47,0	1,3	70,5	89,9	72,7	53,3	63,5	44,5 x 44,5	43,2 x 43,2	—	115	
4HZ59G										—	115/230	
48C187Δ	47,0	1,6	70,5	89,9	72,7	53,3	63,5	44,5 x 44,5	43,2 x 43,2	Se incluye, 43Y140	115	
5DVR1	54,0	1,6	70,5	89,9	72,7	53,3	63,5	44,5 x 44,5	43,2 x 43,2	—	208-230/460	

(Δ) Los ventiladores incluyen un disco de potenciómetro montado en el motor para ajustar la velocidad. El juego de control de velocidad de montaje remoto opcional 43Y140 se puede comprar por separado.

Modelos 4HZ32G a 4HZ59G, 5DVN6 a 5DVN9, 5DVP0 a 5DVP9, 5DVR0, 5DVR1, 5DVR2A a 5DVR4A, 6KWH7, 6KWH8, 6KWH9A, 6KWJ0A, 6KWJ1A, 6KWJ2, 6KWJ3, 48C178 a 48C187

Rendimiento

Modelo		Diám. de la Rueda	HP	RPM del Ventilador	BHP Máx.	Sonios a 0,250" SP	Suministro de Aire en CFM a la Presión Estática que se Muestra						
Techo	Pared						0,000"	0,125"	0,250"	0,375"	0,500"	0,750"	1,00"
3 VELOCIDADES													
4HZ32G	4HZ34G	21,0 cm	1/30	1050	0,03	—	180	109	—	—	—	—	—
				1300		2,9	223	170	97	—	—	—	
				1550		4,1	266	222	172	95	—	—	
4HZ33G	4HZ35G	21,0	1/25	1050	0,04	—	287	188	—	—	—	—	—
				1300		3,4	356	279	185	—	—	—	
				1550		4,9	424	359	291	204	—	—	
5DVN6	5DVN7	21,0	1/60	1050	0,02	—	133	81	—	—	—	—	—
				1300		2,5	165	126	70	—	—	—	
				1550		4,0	197	164	128	—	—	—	
5DVN8	5DVN9	21,0	1/30	1050	0,03	—	250	171	—	—	—	—	—
				1300		2,4	309	255	152	—	—	—	
				1550		4,7	369	325	269	160	—	—	
5DVP0	5DVP1	27,9	1/20	1050	0,05	4,2	325	247	133	—	—	—	—
				1300		5,5	403	343	272	173	—	—	
				1550		7,2	480	431	376	314	235	—	
5DVP2	5DVP3	27,9	1/20	1050	0,06	4,3	389	305	182	—	—	—	—
				1300		5,3	481	416	340	235	—	—	
				1550		7,4	574	520	461	395	312	—	
5DVP4	5DVP5	27,9	1/15	1050	0,09	4,2	549	451	306	—	—	—	—
				1300		5,4	680	600	517	391	—	—	
				1550		7,5	811	744	677	604	501	—	
5DVP6	5DVP7	27,9	1/8	1050	0,12	4,5	711	570	381	—	—	—	—
				1300		6,4	880	774	641	484	199	—	
				1550		8,5	1049	964	861	747	616	—	
1 VELOCIDAD, FASE 1 (†) Los motores cuentan con clasificación UL para uso en lugares peligrosos. (†) Los ventiladores tienen 1 VELOCIDAD, FASE 3													
4HZ36G	4HZ38G	27,9 cm	1/6	1140	0,06	8,3	780	656	502	294	—	—	—
4HZ37G	4HZ39G, 6KWJ2†	27,9	1/4	1725	0,20	13,0	1180	1094	1017	929	824	586	—
4HZ40G	4HZ42G	27,9	1/6	1140	0,09	6,5	970	897	806	707	—	—	—
4HZ41G	4HZ43G, 6KWJ3†	27,9	1/4	1725	0,29	12,5	1468	1422	1373	1315	1255	1129	970
5DVP8	5DVP9	31,8	1/2	1725	0,48	16,7	2037	1979	1923	1869	1816	1710	1571
4HZ44G	4HZ46G	33,7	1/8	860	0,07	7,7	1180	1057	914	675	—	—	—
4HZ45G	4HZ47G	33,7	3/4	1725	0,60	18,4	2366	2305	2244	2183	2122	1994	1838
4HZ48G	4HZ50G	37,5	1/8	860	0,12	7,1	1558	1427	1264	1034	—	—	—
4HZ49G	4HZ51G	37,5	1/4	1140	0,29	11,0	2065	1973	1864	1745	1605	1167	—
4HZ52G	4HZ54G	41,9	1/4	860	0,25	9,9	2472	2315	2126	1918	1680	—	—
4HZ53G, 6KWH7†	4HZ55G	41,9	3/4	1140	0,58	14,8	3277	3161	3035	2896	2745	2421	1983
4HZ56G	4HZ58G	47,0	1/2	860	0,40	11,1	3249	3074	2922	2732	2474	1608	—
4HZ57G, 6KWH8†	4HZ59G	47,0	1	1140	0,93	16,5	4307	4173	4045	3927	3822	3470	3072
5DVR0†	5DVR1†	54,0	2	1140	1,74	23	6412	6224	6036	5855	5674	5283	4837

El rendimiento certificado es para instalaciones de tipo A: Entrada y salida libre. El rendimiento efectivo no considera los efectos de aditamentos (accesorios). El nivel de ruido que se muestra corresponde a valores de intensidad sonora en sonios del ventilador a 1,5 m de distancia en un campo hemisférico libre según la norma 301 de AMCA. Los valores que se muestran son para instalaciones de tipo A: Niveles de sonios hemisféricos de entrada libre. (†) Los motores cuentan con clasificación UL para usar en lugares peligrosos. (†) Los ventiladores son de una VELOCIDAD y TRIFÁSICOS. (Δ) Los ventiladores incluyen un disco de potenciómetro montado en el motor para ajustar la velocidad.

Extractores Centrífugos de Transmisión Directa de Tiro Hacia Arriba Dayton®

Rendimiento (Continuación)

Modelo		Diám. de la Rueda	HP	RPM del Ventilador	BHP Máx.	Sonios a 0,250" SP	Suministro de Aire en CFM a la Presión Estática que se Muestra						
Techo	Pared						0,000"	0,125"	0,250"	0,375"	0,500"	0,750"	1,00"
VELOCIDAD VARIABLE (Δ) Los ventiladores incluyen un disco de potenciómetro montado en el motor para ajustar la velocidad.													
48C178Δ	48C183Δ	21,0 cm	1/6	860	0,01	—	235	95	—	—	—	—	
				1140	0,02	—	312	222	—	—	—	—	
				1725	0,06	6,1	472	413	355	289	199	—	—
48C179Δ	48C184Δ	27,9	1/6	860	0,02	—	450	324	—	—	—	—	
				1140	0,04	4,6	596	505	395	—	—	—	—
				1725	0,12	9,4	903	842	782	722	652	420	—
5DVR2AΔ	6KWH9AΔ	27,9	1/4	860	0,04	0,6	732	625	481	—	—	—	
				1140	0,09	6,5	970	897	806	707	—	—	—
				1725	0,29	12,5	1468	1422	1373	1315	1255	1129	970
48C180Δ	48C185Δ	31,8	1/2	860	0,06	5,6	1015	905	781	581	—	—	
				1140	0,14	8,2	1346	1261	1180	1091	981	—	—
				1725	0,48	16,7	2037	1979	1923	1869	1816	1710	1571
48C181Δ	48C186Δ	33,7	3/4	860	0,08	7,7	1180	1057	914	675	—	—	
				1140	0,17	11,8	1564	1471	1379	1280	1144	—	—
				1725	0,60	18,4	2366	2305	2244	2183	2122	1994	1838
5DVR3AΔ	6KWJ0AΔ	37,5	3/4	1050	0,22	9,8	1902	1800	1680	1540	1372	—	
				1300	0,43	12,8	2355	2277	2186	2086	1979	1717	1269
				1550	0,72	17,5	2808	2743	2671	2594	2509	2329	2110
5DVR4AΔ	6KWJ1AΔ	41,9	3/4	550	0,07	—	1581	1303	—	—	—	—	
				860	0,25	9,9	2472	2315	2156	1918	1680	—	—
				1140	0,58	14,8	3277	3161	3035	2896	2745	2421	1983
48C182Δ	48C187Δ	47,0	1	745	0,26	8,1	2815	2617	2448	2143	1763	—	
				860	0,40	11,1	3249	3074	2922	2732	2474	—	—
				1000	0,63	14,7	3778	3625	3486	3362	3190	2738	—

El rendimiento certificado es para instalaciones de tipo A: Entrada y salida libre. El rendimiento efectivo no considera los efectos de aditamentos (accesorios). El nivel de ruido que se muestra corresponde a valores de intensidad sonora en sonios del ventilador a 1,5 m de distancia en un campo hemisférico libre según la norma 301 de AMCA. Los valores que se muestran son para instalaciones de tipo A: Niveles de sonios hemisféricos de entrada libre. (*) Los motores cuentan con clasificación UL para usar en lugares peligrosos. (†) Los ventiladores son de una VELOCIDAD y TRIFÁSICOS. (Δ) Los ventiladores incluyen un disco de potenciómetro montado en el motor para ajustar la velocidad.

Información de Seguridad General

⚠ PELIGRO No dependa de ningún interruptor como el único medio para desconectar la energía al momento de instalar o de realizar mantenimiento al ventilador. Siempre desconecte, bloquee y etiquete la fuente de energía antes de instalar o realizar mantenimiento. Si no se desconecta la fuente de energía se puede provocar un incendio, descargas eléctricas o lesiones graves. El motor volverá a arrancar sin advertencia después de que se active el protector térmico. No toque el motor mientras está en funcionamiento, podría estar lo suficientemente caliente para provocar lesiones.

⚠ PELIGRO No coloque partes del cuerpo ni objetos en el ventilador o en los orificios o transmisiones del motor mientras éste se encuentre conectado a la fuente de energía.

⚠ ADVERTENCIA No utilice este equipo en atmósferas

explosivas, a menos que el motor y la desconexión sean aptos para su uso en ambientes peligrosos.

1. Lea y siga todas las instrucciones y marcas de precaución. Asegúrese de que la fuente de energía eléctrica cumpla los requisitos del equipo y los códigos locales.
2. Un técnico calificado debe realizar el montaje, la instalación y el mantenimiento. Un electricista calificado debe realizar todo el trabajo eléctrico.
3. Respete todos los códigos eléctricos y de seguridad locales de los Estados Unidos y Canadá, además del National Electrical Code (NEC), la Ley de Seguridad y Salud Ocupacionales (OSHA, por sus siglas en inglés), y el Boletín 96 de la Asociación Nacional de Protección contra Incendios (NFPA, por sus siglas en inglés) en los Estados Unidos. Conecte el motor a tierra de acuerdo con el Artículo 250 de NEC

(conexión a tierra). Respete Canadian Electric Code (CEC, por sus siglas en inglés) en Canadá.

⚠ PRECAUCIÓN Para reducir el riesgo de lesiones a personas, observe lo siguiente:

OSHA exige protectores que cumplan la norma de OSHA cuando el ventilador se instale a 213,3 cm (7 pies) del piso o al nivel de trabajo.

Las Normas UL/UL exigen protectores que cumplan la norma de OSHA cuando el ventilador se instale a 243,8 cm (8 pies) del piso o al nivel de trabajo.

4. No enrosque el cable de alimentación ni permita que entre en contacto con objetos filosos, aceite, grasa, superficies calientes ni productos químicos. Reemplace inmediatamente los cables dañados.
5. Asegúrese de que la fuente de alimentación esté en conformidad con los requisitos del equipo.

Modelos 4HZ32G a 4HZ59G, 5DVN6 a 5DVN9, 5DVP0 a 5DVP9, 5DVR0, 5DVR1, 5DVR2A a 5DVR4A, 6KWH7, 6KWH8, 6KWH9A, 6KWJ0A, 6KWJ1A, 6KWJ2, 6KWJ3, 48C178 a 48C187

Información de Seguridad General (Continuación)

6. Nunca abra la puerta de acceso a un conducto con el ventilador en funcionamiento.
7. El motor debe estar conectado a tierra de manera segura y fija. Ello se puede lograr cableando con un sistema de canal de conducción blindado conectado a tierra con un cable de conexión a tierra aparte conectado a la parte metálica desnuda del bastidor del motor u otro medio apropiado.

Instalación

⚠ ADVERTENCIA *La instalación, la solución de problemas y el reemplazo de partes sólo los debe realizar personal calificado. Consulte y siga las recomendaciones de NFPA 96. Las instrucciones de NFPA 96 sustituyen este documento.*

⚠ ADVERTENCIA *No utilice un cortafuego ni controles de velocidad en ninguna aplicación de extracción para cocinas.*

⚠ PRECAUCIÓN *No levante el ventilador por su abrazadera de izada; use una eslinga o plataforma.*

MONTAJE EN EL TECHO

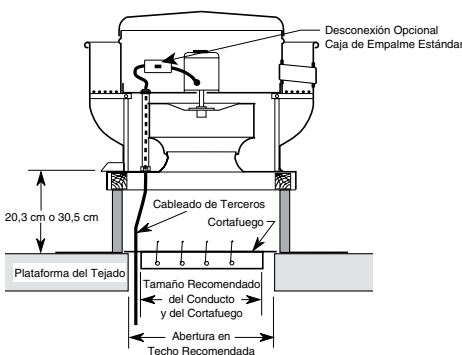


Figura 3 — Montaje en Techo Típico

1. Perfore un orificio de tamaño adecuado en la superficie del techo. Siga las instrucciones de instalación del fabricante de la base de montaje fija. Calafatee y rebabe la base de montaje fija para asegurarse de que exista un sello hermético.

2. Instale un regulador de contratiro opcional. Fije el reborde del amortiguador a la bandeja del amortiguador de la base de montaje fija, con los sujetadores proporcionados.
3. Retire la cubierta del motor quitando los sujetadores.
4. Coloque el ventilador sobre la base de montaje fija.
5. Fije el ventilador a la base de montaje de techo con un mínimo de ocho sujetadores.
6. Compruebe que la rueda del ventilador gire libremente.
7. Compruebe que estén apretados todos los sujetadores.
8. Instale según los requisitos de NEC 70 para Aparatos de Extracción en Restaurantes.
9. Monte y conecte el interruptor de desconexión segura que se encuentra debajo de la cubierta del ventilador y conecte el motor según el diagrama de cableado de conexiones. Consulte la Figura 7 en la sección Conexión eléctrica, página 6. Conecte los interruptores de control a nivel del suelo.
10. Vuelva a colocar la cubierta del motor.
11. Se proporciona una cubeta de drenaje en todos los ventiladores de tiro hacia arriba para montaje en techo Dayton. Se debe proporcionar un colector para la grasa y residuos.

MONTAJE DE PARED

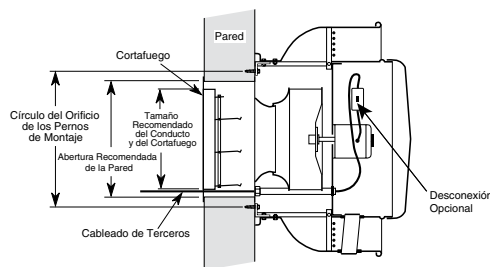


Figura 4 — Montaje de Pared Típico

1. Retire la placa de montaje del venturi del ventilador retirando los sujetadores.

2. Retire la cubierta del compartimiento del motor retirando los sujetadores.
3. Ubique la placa de montaje en la posición deseada y revise para evitar problemas de espacio libre de la unidad (edificios y personas).
4. Perfore una abertura cuadrada de tamaño adecuado en la pared.
5. Instale un regulador de contratiro opcional con la flecha direccional apuntando hacia arriba.
6. Ubique la parte superior de la placa de montaje y fijela a la estructura de la pared. Los sujetadores deben pasar por los orificios proporcionados en los sujetadores del ángulo de montaje en la placa de montaje. Para superficies irregulares, es posible que se requieran cuñas.
7. Debe aplicarse sellante o calafateo en la ranura formada por la placa de montaje y la pared para evitar filtraciones de humedad hacia el edificio. Pase el cable eléctrico desde el interior del edificio, a través del orificio de espacio libre del cortafuegos y el canal de conducto del ventilador al compartimiento del motor.
8. Vuelva a fijar el ventilador a la placa de montaje. Se debe alinear la unidad con el respiradero apuntando hacia abajo.
9. Guíe el tubo del conducto a través del orificio en la bandeja de soporte del motor. Se deben deslizar canales de soporte horizontales sobre los sujetadores del ángulo de montaje en la placa de montaje hasta que los orificios en la abrazadera de izada y los sujetadores estén alineados. Vuelva a colocar los sujetadores y apriételos.
10. Monte y conecte el interruptor de desconexión segura que se encuentra debajo de la cubierta del ventilador y conecte el motor según el diagrama de cableado de conexión del motor. Conecte los interruptores de control al nivel del suelo. Consulte la sección Conexión Eléctrica, en la página 6, Figura 7.

E
S
P
A
Ñ
O
L

Extractores Centrífugos de Transmisión Directa de Tiro Hacia Arriba Dayton®

Instalación (Continuación)

11. Vuelva a colocar la cubierta del motor.

UL 762 COCINAS COMERCIALES

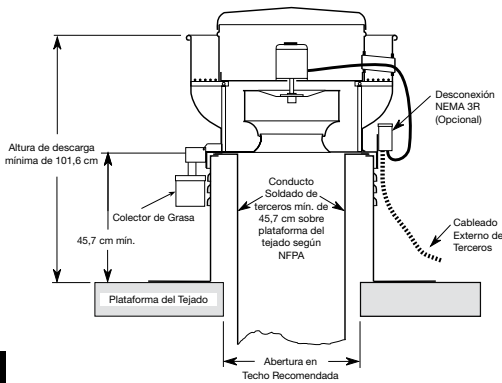


Figura 5 — Montaje en Techo de Cocina

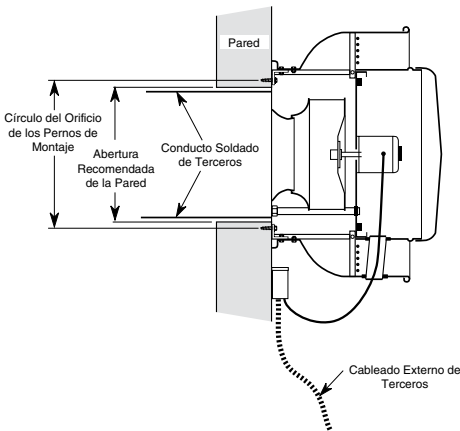


Figura 6 — Montaje en Pared de Cocina

1. Instale según los requisitos de NFPA 96 para aparatos de extracción en restaurantes.
2. Use la caja colectora de grasa, el conjunto de bisagra y la caja de empalme externa opcionales.

⚠ ADVERTENCIA No utilice un cortafuegos en ninguna aplicación de extracción para cocinas.

3. El tamaño del conducto debe ser igual o más grande que la abertura de entrada. Algunos códigos locales exigen una soldadura continua entre el conducto y la entrada. Mantenga despejado el tubo de enfriamiento del motor.

CONEXIÓN ELÉCTRICA

NOTA: Consulte la placa de identificación del motor para conocer los procedimientos de cableado. Consulte al fabricante del interruptor para obtener los procedimientos de instalación y cableado. Se deben mantener velocidades de conducto mínimas en aplicaciones de extracción en cocinas. Si se usa un controlador de velocidad, garantice el cumplimiento de todos los códigos correspondientes.

NOTA: Los ventiladores aspirantes que se usen en aplicaciones de ventilación para cocinas deben tener un cableado externo.

NOTA: El motor y la desconexión se deben clasificar como peligrosos para su uso con 6KWJ2 y 6KWJ3 ventiladores de en ambientes peligrosos. La instalación la debe realizar personal calificado con un motor y desconexión correctos para la aplicación.

1. El motor y el ventilador deben estar conectados a tierra de manera segura (en metal desnudo) a una conexión eléctrica a tierra adecuada, como una tubería de agua subterránea o un sistema conductor de tierra.

NOTA: Consulte la Figura 7 para conocer el diagrama de cableado.

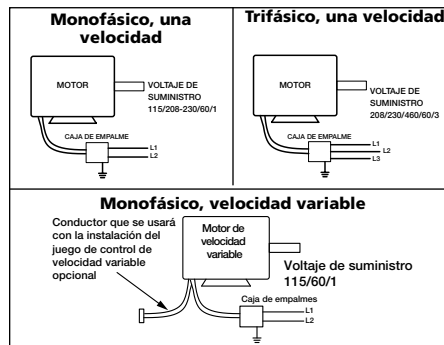


Figura 7 — Diagrama de Cableado Típico

Funcionamiento

1. Antes de arrancar u operar el ventilador, compruebe que estén apretados todos los sujetadores. En particular, revise los tornillos de fijación en el buje de la rueda (y roldanas, si corresponde). Mientras se encuentre en la posición OFF (apagado), o antes de conectar el ventilador a la energía, gire la rueda del ventilador con la mano para asegurarse de que no entre en contacto con el orificio o cualquier obstáculo.
2. Encienda el ventilador y apáguelo inmediatamente para revisar el giro de la rueda con la flecha direccional en el compartimiento del motor. La rueda del ventilador debe girar en el *sentido de las agujas del reloj* al verse desde la parte superior.
3. Al arrancar el ventilador, observe el funcionamiento y la presencia de cualquier ruido anormal. Mantenga las entradas y las vías de acceso al ventilador limpias y libres de obstrucción.
4. Con el sistema a pleno funcionamiento y toda la red de conductos conectada, mida la entrada de corriente hacia el motor y compárela con la de la placa de identificación para determinar si el motor está funcionando bajo condiciones de carga seguras.
5. Los motores de velocidad variable se pueden controlar de dos maneras.
 - a. Un potenciómetro montado en el motor se encuentra en la carcasa del motor para ajustar la velocidad manualmente. Gire el potenciómetro con un destornillador para ajustar la velocidad.

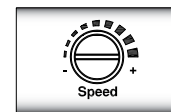


Figura 8 — Ajuste de Velocidad Variable

- b. El motor incluye un conductor con tapa que se puede conectar al juego de control de velocidad variable. La tapa del conductor del motor se puede retirar y conectar al conductor de cableado del motor o transformador. Siga las instrucciones de instalación que vienen con el juego de control de velocidad opcional.

Modelos 4HZ32G a 4HZ59G, 5DVN6 a 5DVN9, 5DVP0 a 5DVP9, 5DVR0, 5DVR1, 5DVR2A a 5DVR4A, 6KWH7, 6KWH8, 6KWH9A, 6KWJ0A, 6KWJ1A, 6KWJ2, 6KWJ3, 48C178 a 48C187

Mantenimiento

⚠ ADVERTENCIA *Desconecte y bloquee la fuente de energía antes de realizar mantenimiento.*

⚠ PRECAUCIÓN *La limpieza desigual de la rueda producirá una condición fuera de equilibrio que provocará vibraciones en el ventilador.*

- Mantenga las entradas y las vías de acceso del ventilador limpias y libres de obstrucción. Dependiendo del uso y la densidad del aire contaminado, se debe establecer un programa de inspección regular para limpiar la rueda del ventilador, el ventilador y las áreas circundantes. Las aplicaciones intensivas pueden requerir una inspección semanal.
- Cuando esté funcionando el ventilador, compruebe si existen ruidos anormales.

- Inspeccione de manera periódica y apriete los tornillos de fijación.
- Siga la norma NEC 70 para limpieza cuando los ventiladores se instalen en Aparatos de Extracción en Restaurantes.
- Siga las instrucciones del fabricante del motor para su lubricación.
- Para el desmontaje del motor o de la rueda, consulte la ilustración de las partes.
- Los contenedores de grasa se deben vaciar regularmente para evitar el desborde.

Tabla de Solución de Problemas

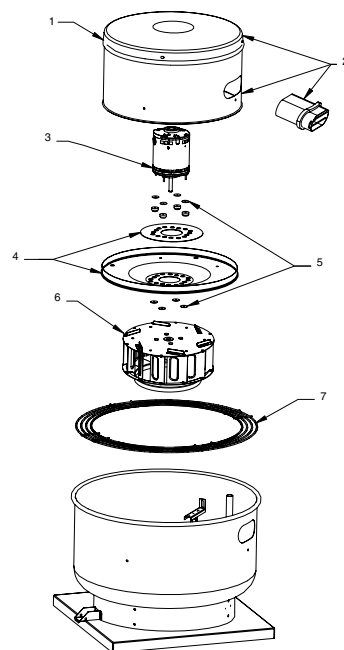
Síntoma	Causas Posibles	Soluciones
No funciona el ventilador	<ol style="list-style-type: none"> Fusible o cortacircuitos quemado Motor defectuoso Se conectó incorrectamente 	<ol style="list-style-type: none"> Reemplácelo o repárelo Reemplácelo o repárelo CORTE la energía y revise que el cableado esté conectado correctamente
Flujo de aire insuficiente	<ol style="list-style-type: none"> Conducto bloqueado o filtros obstruidos Regulador de tiro cerrado Giro incorrecto de la rueda Secciones de conducto con adaptadores sueltos permiten la pérdida de aire 	<ol style="list-style-type: none"> Límpielos o reemplácelos Inspecciónelo o repárelo Revise el cableado del motor Verifique la conexión fija en las juntas de los conductos
Ruido o vibración excesiva	<ol style="list-style-type: none"> Rueda suelta Hay acumulación de materiales en la rueda La base del ventilador no está firmemente anclada La cubierta del motor está suelta y produce ruido Rueda del ventilador fuera de equilibrio 	<ol style="list-style-type: none"> Apriete los tornillos de fijación Límpielos Fíjela correctamente Apriete las tuercas ciegas que fijan la cubierta del motor Cambie la rueda
Sobrecarga o sobrecalentamiento del motor	<ol style="list-style-type: none"> Bobinado del motor cortocircuitado Giro incorrecto de la rueda Voltaje de línea excesivo o deficiente 	<ol style="list-style-type: none"> Reemplace el motor Revise el cableado del motor Comuníquese con la compañía de electricidad

Si necesita repuestos, llame al 1-800-Grainger

Las 24 horas del día, los 365 días del año

Por favor proporcione la siguiente información:

- Número de modelo
- Número de serie (si lo hay)
- Descripción de la parte y número que le corresponde en la lista de partes



Lista de Repuestos para Extractores Centrífugos de Transmisión Directa de Tiro Hacia Arriba con Montaje en el Techo

N.º de Ref.	Descripción	Número de Parte para Modelos:									Cant.
		4HZ32G	4HZ33G	4HZ36G	4HZ37G	4HZ40G	4HZ41G	4HZ44G	4HZ45G	4HZ48G	
1	Cubierta	21DY72	21DY72	21DY73	21DY73	21DY73	21DY73	21DY73	21DY73	21DY74	1
2	Conjunto de cubierta	21DZ07	21DZ07	21DZ09	21DZ09	21DZ09	21DZ09	21DZ09	21DZ09	21DZ71	1
3	Motor	4YU32	4YU33	4YU23	4YU27	4YU23	4YU27	4YU19	4YU29	4YU19	1
4	Placa de soporte	21DY78	21DY78	21DZ30	21DZ33	21DZ33	21DZ33	21DY10	21DY10	21DZ53	1
5	Juego de aislador	21DZ10	21DZ10	21DZ10	21DZ10	21DZ10	21DZ10	21DZ10	21DZ10	21DY93	1
6	Rueda	21DY84	21DY86	21DY89	21DY89	21DY91	21DY91	21DZ46	21DZ46	21DW39	1
7	Filtro para pájaros	4ZA27	4ZA27	4YY78	4YY78	4YY78	4YY78	4YY78	4YY78	4YY79	1

N.º de Ref.	Descripción	Número de Parte para Modelos:									Cant.
		4HZ49G	4HZ52G	4HZ53G	4HZ56G	4HZ57G	5DVN6	5DVN8	5DVP0	5DVP2	
1	Cubierta	21DY74	21DY74	21DY74	21DY75	21DY75	21DY72	21DY72	21DW30	21DW30	1
2	Conjunto de cubierta	21DZ71	21DZ71	21DZ71	21DZ72	21DZ72	21DZ07	21DZ07	21DW41	21DW41	1
3	Motor	4YY54	4YU20	4YY55	4YU22	4YU26	21DW27	4YU32	1AGF8	1AGF8	1
4	Placa de soporte	21DZ53	21DZ53	21DZ32	21DW38	21DZ35	21DY78	21DY78	21DW31	21DW31	1
5	Juego de aislador	21DY93	21DY93	21DY93	21DY93	21DY93	21DZ10	21DZ10	21DZ10	21DZ10	1
6	Rueda	21DW39	21DZ44	21DX68	21DZ54	21DZ54	21DW32	21DY85	21DW33	21DP30	1
7	Filtro para pájaros	4YY79	4YY79	4YY79	4YY80	4YY80	4ZA27	4ZA27	21DW49	21DW49	1

N.º de Ref.	Descripción	Número de Parte para Modelos:									Cant.
		5DVP4	5DVP6	5DVP8	5DVR0	5DVR2A	5DVR3A	5DVR4A	6KWH7	6KWH8	
1	Cubierta	21DW30	21DW30	21DY73	21DY75	21DY73	21DY74	21DY74	21DY74	21DY75	1
2	Conjunto de cubierta	21DW41	21DW41	21DZ09	21DZ72	21DZ09	21DZ71	21DZ71	21DZ05	21DV76	1
3	Motor	21DW28	4YU34	4YU28	21DW29	43Y136	43Y138	43Y138	21DV61	21DV66	1
4	Placa de soporte	21DW31	21DW31	21DZ31	21DW38	21DZ33	21DZ53	21DZ53	21DV79	21DV77	1
5	Juego de aislador	21DZ10	21DZ10	21DZ10	21DV98	21DZ10	21DY93	21DY93	21DY99	21DZ04	1
6	Rueda	21DW34	21DY87	21EC48	21DW37	21DY91	29PH76	21DZ44	21DZ44	21DV74	1
7	Filtro para pájaros	21DW49	21DW49	4YY78	4YY80	4YY78	4YY79	4YY79	4YY79	4YY80	1

N.º de Ref.	Descripción	Número de Parte para Modelos:					Cant.
		48C178	48C179	48C180	48C181	48C182	
1	Cubierta	21DY72	21DW30	21DY73	21DY73	21DY75	1
2	Conjunto de cubierta	21DZ07	21DW41	21DZ09	21DZ09	21DZ72	1
3	Motor	43Y135	43Y135	43Y137	43Y138	43Y139	1
4	Placa de soporte	21DY78	21DW31	21DZ31	21DY10	21DW38	1
5	Juego de aislador	21DZ08	21DZ08	21DZ10	21DZ10	21DY93	1
6	Rueda	21DY77	21DW34	21EC48	21DY09	21DW17	1
7	Filtro para pájaros	4ZA27	21DW49	4YY78	4YY78	4YY80	1

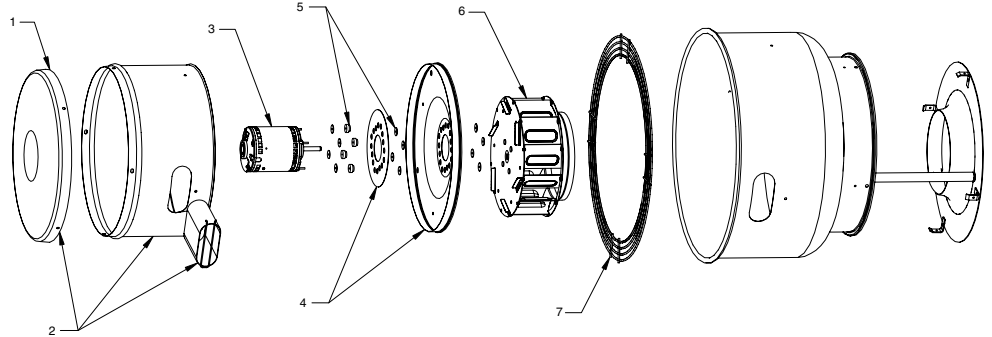
E S P A Ñ O L

Si necesita repuestos, llame al 1-800-Grainger

Las 24 horas del día, los 365 días del año

Por favor proporcione la siguiente información:

- Número de modelo
- Número de serie (si lo hay)
- Descripción de la parte y número que le corresponde en la liste de partes



Lista de Repuestos para Extractores Centrífugos de Transmisión Directa de Tiro Hacia Arriba para Montaje en Pared

N.º de Ref.	Descripción	Número de Parte para Modelos:									Cant.
		4HZ34G	4HZ35G	4HZ38G	4HZ39G	4HZ42G	4HZ43G	4HZ46G	4HZ47G	4HZ50G	
1	Cubierta	21DY72	21DY72	21DY73	21DY73	21DY73	21DY73	21DY73	21DY73	21DY74	1
2	Conjunto de cubierta	21DZ07	21DZ07	21DZ09	21DZ09	21DZ09	21DZ09	21DZ09	21DZ15	21DZ16	1
3	Motor	4YU32	4YU33	4YU23	4YU27	4YU23	4YU27	4YU19	4YU29	4YU19	1
4	Placa de soporte	21DY78	21DY78	21DZ30	21DZ30	21DZ33	21DZ33	21DY10	6366516	21DZ53	1
5	Juego de aislador	21DZ10	21DZ10	21DZ10	21DZ10	21DZ10	21DZ10	21DZ10	21DZ04	21DY93	1
6	Rueda	21DY84	21DY86	21DY89	21DY89	21DY91	21DY91	21DZ46	21DZ46	21DW39	1
7	Filtro para pájaros	4ZA27	4ZA27	4YY78	4YY78	4YY78	4YY78	4YY78	4YY78	4YY79	1

N.º de Ref.	Descripción	Número de Parte para Modelos:									Cant.
		4HZ51G	4HZ54G	4HZ55G	4HZ58G	4HZ59G	5DVN7	5DVN9	5DVP1	5DVP3	
1	Cubierta	21DY74	21DY74	21DY74	21DY75	21DY75	21DY72	21DY72	21DW30	21DW30	1
2	Conjunto de cubierta	21DZ71	21DZ16	21DZ16	21DZ72	21DZ72	21DZ07	21DZ07	21DW41	21DW41	1
3	Motor	4YY54	4YU20	4YY55	4YU22	4YU26	21DW27	4YU32	1AGF8	1AGF8	1
4	Placa de soporte	21DZ53	21DZ53	21DZ32	21DZ35	21DZ35	21DY78	21DY78	21DW31	21DW31	1
5	Juego de aislador	21DZ10	21DZ10	21DZ04	21DZ10	21DZ10	21DZ10	21DZ10	21DZ10	21DZ10	1
6	Rueda	21DW39	21DZ44	21DX68	21DZ54	21DZ54	21DW32	21DY85	21DW33	21DP30	1
7	Filtro para pájaros	4YY79	4YY79	4YY79	4YY80	4YY80	4ZA27	4AZ27	21DW49	21DW49	1

N.º de Ref.	Descripción	Número de Parte para Modelos:									Cant.
		5DVP5	5DVP7	5DVP9	5DVR1	6KWH9A	6KWJ0A	6KWJ1A	6KWJ2	6KWJ3	
1	Cubierta	21DW30	21DW30	21DVP3	21DY75	21DY73	21DY74	21DY74	21DY73	21DY73	1
2	Conjunto de cubierta	21DW41	21DW41	21DZ09	21DZ72	21DZ09	21DZ16	21DZ16	21DZ02	21DZ02	1
3	Motor	21DW28	4YU34	4YU28	21DW29	43Y136	43Y138	43Y138	21DV65†	21DV65†	1
4	Placa de soporte	21DW31	21DW31	21DY10	21DW38	21DZ10	21DY93	21DZ04	21DV78	21DV80	1
(*)	Anillo de roce de aluminio	—	—	—	—	—	—	—	21DP94	21DP94	1
5	Juego de aislador	21DZ10	21DZ10	21DZ10	21DV98	21DZ33	21DZ53	21DZ32	21DZ04	21DZ04	1
6	Rueda	21DW34	21DY87	21EC48	21DW37	21DY91	29PH76	21DZ44	21DV72	21DV73	1
7	Filtro para pájaros	21DW49	21DW49	4YY78	4YY80	4YY78	4YY79	4YY79	4YY78	4YY78	1

N.º de Ref.	Descripción	Número de Parte para Modelos:					Cant.
		48C183	48C184	48C185	48C186	48C187	
1	Cubierta	21DY72	21DW30	21DY73	21DY73	21DY75	1
2	Conjunto de cubierta	21DZ07	21DW41	21DZ09	21DZ09	21DZ72	1
3	Motor	43Y135	43Y135	43Y137	43Y138	43Y139	1
4	Placa de soporte	21DY78	21DW31	21DZ31	21DY10	21DZ35	1
5	Juego de aislador	21DZ08	21DZ08	21DZ10	21DZ10	21DZ10	1
6	Rueda	21DY86	21DW34	21EC48	21DY09	21DW17	1
7	Filtro para pájaros	4ZA27	21DW49	4YY78	4YY78	4YY80	1

(*) No se muestra. Para uso con 6KWJ2 y 6KWJ3 en lugares potencialmente peligrosos.

(†) Los motores cuentan con clasificación UL para Clase I, Grupos C&D y Clase II, Grupos F&G para lugares peligrosos.

E
S
P
A
Ñ
O
L



Extractores Centrífugos de Transmisión Directa de Tiro Hacia Arriba Dayton®

GARANTÍA LIMITADA

GARANTÍA LIMITADA DE UN AÑO DAYTON. LOS MODELOS INCLUIDOS EN ESTE MANUAL, TIENEN GARANTÍA DE DAYTON ELECTRIC MFG. CO. (DAYTON) POR DEFECTOS DE FABRICACIÓN O MATERIALES DURANTE SU USO NORMAL DURANTE UN AÑO A PARTIR DE LA FECHA DE COMPRA. TODA PIEZA QUE SE DEMUESTRE QUE TENGA DEFECTOS DE MATERIAL O DE MANO DE OBRA Y SE DEVUELVA A UN LUGAR DE SERVICIO TÉCNICO AUTORIZADO, DESIGNADO POR DAYTON, COSTOS DE TRANSPORTE PREPAGADOS, SERÁ COMO RECURSO EXCLUSIVO, REPARADA O REEMPLAZADA SEGÚN EL CRITERIO DE DAYTON. POR DEMANDA DE GARANTÍA LIMITADA, VER "DISPOSICIÓN INMEDIATA" A CONTINUACIÓN. ESTA GARANTÍA LIMITADA LE DA AL COMPRADOR DERECHOS LEGALES ESPECÍFICOS QUE VARÍAN DE UNA JURISDICCIÓN A OTRA.

RESTRICCIÓN DE RESPONSABILIDAD. HASTA DONDE LO PERMITA LA LEGISLACIÓN PERTINENTE, DAYTON NIEGA EXPRESAMENTE SU RESPONSABILIDAD EN DAÑOS DE INDIRECTOS O EMERGENTES. LA RESPONSABILIDAD DE DAYTON EN TODOS LOS CASOS SE LIMITA AL PRECIO DE COMPRA Y NO DEBE EXCEDER ÉSTE.

DENEGACIÓN DE GARANTÍA. SE HA HECHO UN GRAN ESFUERZO POR PROPORCIONAR INFORMACIÓN SOBRE EL PRODUCTO E ILUSTRAR LOS PRODUCTOS DE MANERA PRECISA EN ESTE DOCUMENTO; SIN EMBARGO, TAL INFORMACIÓN E ILUSTRACIONES TIENEN EL ÚNICO PROPÓSITO DE IDENTIFICACIÓN, Y NO EXPRESA NI IMPLICA UNA GARANTÍA DE QUE LOS PRODUCTOS SEAN DE BUENA CALIDAD, O QUE SE ADAPTEN E UN PROPÓSITO EN ESPECIAL, NI QUE LOS PRODUCTOS ESTÉN NECESARIAMENTE DE ACUERDO CON LAS ILUSTRACIONES O DESCRIPCIONES. CON EXCEPCIÓN DE LO QUE SE DETALLA A CONTINUACIÓN, NINGUNA GARANTÍA NI AFIRMACIÓN DE HECHO, EXPRESA O IMPLÍCITA, APARTE DE LO QUE SE INCLUYE EN LA "GARANTÍA LIMITADA" ESTÁ HECHA O AUTORIZADA POR DAYTON.

Asesoría Técnica y Recomendaciones, Exención de Responsabilidad. No obstante las prácticas, tratos o costumbre del oficio anteriores, las ventas no incluirán asesoría o asistencia técnica, o el diseño del sistema. Dayton no asume obligaciones ni responsabilidades debido a recomendaciones, opiniones o asesorías no autorizadas en cuanto a la elección, la instalación o el uso de productos.

Aptitud del Producto. Muchas jurisdicciones tienen códigos y ordenanzas que regulan las ventas, la construcción, la instalación, y/o el uso de productos para ciertos propósitos, que pueden variar con respecto a los de las áreas vecinas. Si bien se hacen intentos para garantizar que los productos Dayton cumplan tales códigos, Dayton no garantiza su cumplimiento y no puede ser responsable por la manera en que se instalen o usen los productos. Antes de la compra y del uso de un producto, revise sus aplicaciones y todos los códigos, y reglamentos nacionales y locales pertinentes, y asegúrese de que el producto, su instalación y su uso estén en conformidad con ellos.

Ciertos aspectos de la denegación no se aplican a productos del consumidor; por ej., (a) algunas jurisdicciones no permiten la exclusión o la limitación de daños accidentales o resultantes, por lo que la limitación o exclusión mencionadas anteriormente, pueden no aplicarse a usted; (b) además, algunas jurisdicciones no permiten una limitación sobre la duración de una garantía implícita, en consecuencia, la limitación mencionada anteriormente puede no aplicarse a usted; y (c) por ley, durante el período de esta Garantía Limitada, cualquier garantía implícita de comerciabilidad o aptitud para un propósito en particular que se aplique a productos del consumidor adquiridos por consumidores, no puede ser excluida ni rechazada.

Disposición Inmediata. Se realizará un esfuerzo de buena fe para corregir o realizar otros ajustes de manera oportuna con respecto a cualquier producto que se demuestra que tenga defectos dentro de la garantía limitada. En caso de existir un producto con fallas dentro de la garantía limitada, escriba o llame al distribuidor a quien le compró el producto. Éste le indicará qué hacer. Si el problema no se resuelve de manera satisfactoria, escriba a Dayton a la dirección que figura a continuación, indicando nombre del distribuidor, dirección, fecha y número de la factura del distribuidor, y describa la naturaleza de la falla. Título y riesgo de pérdida pasan al comprador en la entrega a la compañía de transporte. Si el producto se dañó durante el transporte, presente el reclamo al transporte.

Veillez lire et conserver ces instructions. Lire attentivement avant de commencer à assembler, installer, faire fonctionner ou entretenir l'appareil décrit. Protégez-vous et les autres en observant toutes les informations sur la sécurité. Négliger d'appliquer ces instructions peut résulter en des blessures corporelles et/ou en des dommages matériels ! Conserver ces instructions pour références ultérieures.

Tourelles d'extraction à jet ascendant centrifuges à entraînement direct Dayton®

Description

Les tourelles Dayton sont conçues pour l'extraction en continu d'air vicié, fumées, odeurs et vapeurs grasses. Les tourelles à 1 vitesse et à vitesse variable résistent à des températures jusqu'à 150 °C, les modèles à 3 vitesses jusqu'à 55 °C. Ces tourelles à l'épreuve des intempéries comportent une costière en aluminium repoussé et un socle de moteur et des supports en métal galvanisé. Les tourelles à 3 vitesses sont homologuées UL/cUL, norme 705. Les tourelles à 1 vitesse (sauf 6KWJ2 et 6KWJ3) et les tourelles à vitesse variable sont homologuées UL Sujet 762 (YZHW) et conformes à la norme NFPA 96 relative à la ventilation et la protection incendie des cuisines commerciales. Le compartiment du moteur est refroidi par de l'air frais extérieur. Ces tourelles sont à vitesse réglable, des vitesses de gaines minimales doivent être maintenues dans les applications d'extraction de cuisine. Si un régulateur de vitesse est utilisé, s'assurer de la conformité à tous les codes en vigueur.

Les tourelles 6KWJ2 et 6KWJ3 comportent une turbine en aluminium anti-étincelles, une bague de frottement, un sectionneur NEMA 7 et 9 posé à l'usine et un moteur antidéflagrant et peuvent s'utiliser pour l'extraction de particules ou fumées potentiellement inflammables. Moteurs homologués UL pour les zones dangereuses de Classe I, Groupes C et D et Classe II, Groupes F et G.



Dayton Electric Mfg. Co. certifie que les ventilateurs décrits aux présentes sont autorisés à porter le sceau de l'AMCA. Les caractéristiques indiquées ici reposent sur des essais et procédures effectués conformément à la Publication 211 et à la Publication 311 de l'AMCA et répondent aux exigences du programme de certification des caractéristiques de l'AMCA.

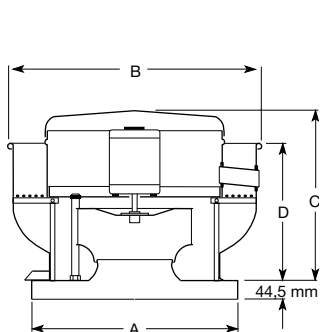


Figure 1 — Dimensions pose en toiture

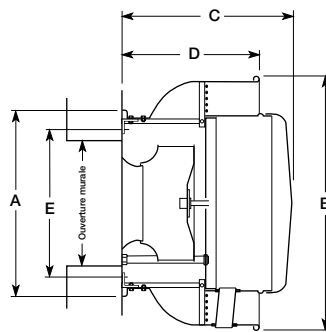


Figure 2 — Dimensions pose murale

Accessoires en option

Général ou UL 705	
Description	N° de modèle
Sectionneur NEMA 1 :	
1H400 (bipolaire, 2HP), 1H401 (tripolaire, 7½ HP)	
Registre :	3TZ50, 4HX64-4HX70, 4HX72-4HX74, 4HX77
Costière fixe 30,5 cm :	2RB75-2RB79
Costière réglable 30,5 cm :	2ZV82-2ZV83
Adaptateur de costière :	3AZK1-3AZK9, 3AZL1-3AZL3
Grille oiseaux :	4YY78-4YY83
Régulateur de vitesse :	48C172, 48C173, 43Y140

Cuisine ou UL 762	
Description	N° de modèle
Sectionneur NEMA 4 :	
1H408 (bipolaire, 2HP), 1H409 (tripolaire, 7½ HP)	
Collecteur de graisse :	1RL34, 4HX78
Charnières :	4HX79, 4YY84-4YY86
Nécessaire ouverture de nettoyage :	3ATV9
Costière fixe ventilée 61,0 cm :	4HX54-4HX57
Costière ventilée réglable 30,5 cm :	4HX61-4HX62

Déballage

1. Vérifier l'absence de tout dommage éventuellement causé par le transport.
2. Les réclamations pour dommages dus au transport sont à adresser au transporteur.
3. Vérifier que les boulons, vis, vis de calage, etc. ne se sont pas desserrés durant le transport. Resserrer le cas échéant. Actionner la turbine à la main pour s'assurer qu'elle tourne librement.

Tourelles d'extraction à jet ascendant centrifuges à entraînement direct Dayton®

Dimensions et caractéristiques

Modèle	Dia. turbine	Dia. arbre	A	B	C	D	E	Conseillé			Tension (V)
								Ouverture de toiture	Taille de gaine	Régulateur de vitesse	
POSE SUR TOITURE (voir Figure 1)											
48C178Δ	21,0 cm	1,3 cm	43,2 cm	46,7 cm	34,3 cm	28,9 cm	—	31,8 x 31,8 cm	22,9 x 22,9 cm	Fourni, 43Y140	115
4HZ32G, 4HZ33G, 5DVN6, 5DVN8	21,0	0,8	48,3	46,7	34,3	28,9	—	36,8 x 36,8	—	48C172	115
5DVP0, 5DVP2, 5DVP4	27,9	1,3	48,3	53,3	34,0	29,2	—	36,8 x 36,8	25,4 x 25,4	48C172	115
48C179Δ										Fourni, 43Y140	115
5DVP6	27,9	1,3	48,3	53,3	38,7	34,0	—	36,8 x 36,8	25,4 x 25,4	48C172	115
4HZ36G	27,9	1,3	48,3	63,2	55,9	44,1	—	36,8 x 36,8	30,5 x 30,5	48C172	115
4HZ37G										48C172	115
4HZ40G	27,9	1,3	55,9	63,2	55,9	44,1	—	44,5 x 44,5	38,1 x 38,1	48C172	115
4HZ41G										48C172	115
5DVR2AΔ										Fourni, 43Y140	115
48C180Δ	31,8	1,3	48,3	63,2	71,8	44,1	—	36,8 x 36,8	30,5 x 30,5	Fourni, 43Y140	115
5DVP8	31,8	1,3	55,9	63,2	60,3	44,1	—	44,5 x 44,5	38,1 x 38,1	48C173	115
48C181Δ	33,7	1,3	48,3	63,2	71,8	44,1	—	36,8 x 36,8	30,5 x 30,5	Fourni, 43Y140	115
4HZ44G	33,7	1,3	55,9	63,2	60,3	44,1	—	44,5 x 44,5	38,1 x 38,1	48C172	115
4HZ45G										—	115/230
4HZ48G	37,5	1,3	66,0	73,3	62,9	49,2	—	54,6 x 54,6	48,3 x 48,3	48C172	115
4HZ49G										48C172	115
5DVR3AΔ										Fourni, 43Y140	115
4HZ53G	41,9	1,3	66,0	73,3	68,9	49,2	—	54,6 x 54,6	48,3 x 48,3	48C173	115/230
5DVR4AΔ										Fourni, 43Y140	115
4HZ52G	41,9	1,6	66,0	73,3	68,9	49,2	—	54,6 x 54,6	48,3 x 48,3	48C172	115
6KWH7										—	208-230/460
4HZ56G	47,0	1,3	76,2	89,9	72,7	53,3	—	64,8 x 64,8	58,4 x 58,4	—	115
4HZ57G										—	115/230
6KWH8										—	208-230/460
48C182Δ	47,0	1,6	76,2	89,9	72,7	53,3	—	64,8 x 64,8	58,4 x 58,4	Fourni, 43Y140	115
5DVR0	54,0	1,6	76,2	89,9	72,7	53,3	—	64,8 x 64,8	58,4 x 58,4	—	230/460
POSE MURALE (voir Figure 2)											
48C183Δ	21,0 cm	1,3 cm	37,5 cm	46,7 cm	34,3 cm	28,9 cm	29,8 cm	21,6 x 21,6 cm	20,3 x 20,3 cm	Fourni, 43Y140	115
4HZ34G, 4HZ35G, 5DVN7, 5DVN9	21,0	0,8	37,5	46,7	34,3	28,9	29,8	21,6 x 21,6	20,3 x 20,3	48C172	115
5DVP1, 5DVP3, 5DVP5	27,9	1,3	45,4	53,3	34,0	29,2	38,1	26,7 x 26,7	25,4 x 25,4	48C172	115
48C184Δ										Fourni, 43Y140	115
5DVP7	27,9	1,3	45,4	53,3	38,7	34,0	38,1	26,7 x 26,7	25,4 x 25,4	48C172	115
4HZ38G, 4HZ42G	27,9	1,3	50,2	63,2	55,9	44,1	42,9	31,8 x 31,8	30,5 x 30,5	48C172	115
4HZ39G, 4HZ43G										48C172	115
6KWH9AΔ										Fourni, 43Y140	115
6KWJ2, 6KWJ3										—	115/208-230
5DVP9	31,8	1,3	50,2	63,2	60,3	44,1	42,9	31,8 x 31,8	30,5 x 30,5	48C173	115
48C185Δ	31,8	1,3	50,2	63,2	71,8	44,1	42,9	31,8 x 31,8	30,5 x 30,5	Fourni, 43Y140	115
4HZ46G	33,7	1,3	50,2	63,2	60,3	44,1	42,9	31,8 x 31,8	30,5 x 30,5	48C172	115
4HZ47G										—	115/230
48C186Δ	33,7	1,3	50,2	63,2	71,8	44,1	42,9	31,8 x 31,8	30,5 x 30,5	Fourni, 43Y140	115
4HZ50G	37,5	1,3	56,2	73,3	62,9	49,2	49,2	39,4 x 39,4	38,1 x 38,1	48C172	115
4HZ51G										48C172	115
6KWJ0AΔ										Fourni, 43Y140	115
4HZ54G	41,9	1,6	56,2	73,3	62,9	49,2	49,2	39,4 x 39,4	38,1 x 38,1	48C172	115
4HZ55G	41,9	1,3	56,2	73,3	62,9	49,2	49,2	39,4 x 39,4	38,1 x 38,1	48C173	115
6KWJ1AΔ										Fourni, 43Y140	115
4HZ58G	47,0	1,3	70,5	89,9	72,7	53,3	63,5	44,5 x 44,5	43,2 x 43,2	—	115
4HZ59G										—	115/230
48C187Δ	47,0	1,6	70,5	89,9	72,7	53,3	63,5	44,5 x 44,5	43,2 x 43,2	Fourni, 43Y140	115
5DVR1	54,0	1,6	70,5	89,9	72,7	53,3	63,5	44,5 x 44,5	43,2 x 43,2	—	208-230/460

(Δ) Ces tourelles comprennent un potentiomètre de réglage de vitesse monté sur le moteur. La commande de vitesse montée à distance 43Y140 en option est vendue séparément.

Modèles 4HZ32G à 4HZ59G, 5DVN6 à 5DVN9, 5DVP0 à 5DVP9, 5DVR0, 5DVR1, 5DVR2A à 5DVR4A, 6KWH7, 6KWH8, 6KWH9A, 6KWJ0A, 6KWJ1A, 6KWJ2, 6KWJ3, 48C178 à 48C187

Performances

Toiture	Modèle Mur	Dia. turbine	Hélice tr/min	HP	BHP maxi	Sones à 0,250" SP	Débit d'air (pi ³ /min) à la pression statique indiquée							
							0,000"	0,125"	0,250"	0,375"	0,500"	0,750"	1,00"	
3 VITESSES														
4HZ32G	4HZ34G	21,0 cm	1050	1/30	0,03	—	180	109	—	—	—	—	—	—
			1300			2,9	223	170	97	—	—	—	—	
			1550			4,1	266	222	172	95	—	—	—	
4HZ33G	4HZ35G	21,0	1050	1/25	0,04	—	287	188	—	—	—	—	—	—
			1300			3,4	356	279	185	—	—	—	—	
			1550			4,9	424	359	291	204	—	—	—	
5DVN6	5DVN7	21,0	1050	1/60	0,02	—	133	81	—	—	—	—	—	—
			1300			2,5	165	126	70	—	—	—	—	
			1550			4,0	197	164	128	—	—	—	—	
5DVN8	5DVN9	21,0	1050	1/30	0,03	—	250	171	—	—	—	—	—	—
			1300			2,4	309	255	152	—	—	—	—	
			1550			4,7	369	325	269	160	—	—	—	
5DVP0	5DVP1	27,9	1050	1/20	0,05	4,2	325	247	133	—	—	—	—	—
			1300			5,5	403	343	272	173	—	—	—	
			1550			7,2	480	431	376	314	235	—	—	
5DVP2	5DVP3	27,9	1050	1/20	0,06	4,3	389	305	182	—	—	—	—	—
			1300			5,3	481	416	340	235	—	—	—	
			1550			7,4	574	520	461	395	312	—	—	
5DVP4	5DVP5	27,9	1050	1/15	0,09	4,2	549	451	306	—	—	—	—	—
			1300			5,4	680	600	517	391	—	—	—	
			1550			7,5	811	744	677	604	501	—	—	
5DVP6	5DVP7	27,9	1050	1/8	0,12	4,5	711	570	381	—	—	—	—	—
			1300			6,4	880	774	641	484	199	—	—	
			1550			8,5	1049	964	861	747	616	—	—	
1 VITESSE, MONOPHASÉ (‡) Moteurs homologués UL pour les zones dangereuses. (†) Tourelles 1 VITESSE, TRIPHASÉES														
4HZ36G	4HZ38G	27,9 cm	1140	1/6	0,06	8,3	780	656	502	294	—	—	—	—
4HZ37G	4HZ39G, 6KWJ2‡	27,9	1725	1/4	0,20	13,0	1180	1094	1017	929	824	586	—	—
4HZ40G	4HZ42G	27,9	1140	1/6	0,09	6,5	970	897	806	707	—	—	—	—
4HZ41G	4HZ43G, 6KWJ3‡	27,9	1725	1/4	0,29	12,5	1468	1422	1373	1315	1255	1129	970	—
5DVP8	5DVP9	31,8	1725	1/2	0,48	16,7	2037	1979	1923	1869	1816	1710	1571	—
4HZ44G	4HZ46G	33,7	860	1/8	0,07	7,7	1180	1057	914	675	—	—	—	—
4HZ45G	4HZ47G	33,7	1725	3/4	0,60	18,4	2366	2305	2244	2183	2122	1994	1838	—
4HZ48G	4HZ50G	37,5	860	1/8	0,12	7,1	1558	1427	1264	1034	—	—	—	—
4HZ49G	4HZ51G	37,5	1140	1/4	0,29	11,0	2065	1973	1864	1745	1605	1167	—	—
4HZ52G	4HZ54G	41,9	860	1/4	0,25	9,9	2472	2315	2126	1918	1680	—	—	—
4HZ53G, 6KWH7†	4HZ55G	41,9	1140	3/4	0,58	14,8	3277	3161	3035	2896	2745	2421	1983	—
4HZ56G	4HZ58G	47,0	860	1/2	0,40	11,1	3249	3074	2922	2732	2474	1608	—	—
4HZ57G, 6KWH8†	4HZ59G	47,0	1140	1	0,93	16,5	4307	4173	4045	3927	3822	3470	3072	—
5DVR0	5DVR1	54,0	1140	2	1,74	23	6412	6224	6036	5855	5674	5283	4837	—

Valeurs certifiées pour une installation de type A : admission libre, refoulement libre. Les valeurs indiquées ne tiennent pas compte des effets des équipements connexes (accessoires). Les données acoustiques indiquées sont des valeurs de sonie exprimées en sones ventilateur à 1,5 m (5 pieds) en champ libre hémisphérique calculés selon la norme AMCA 301. Valeurs indiquées pour une installation de type A : niveaux de sonie hémisphérique à l'admission libre. (‡) Moteurs homologués UL pour les zones dangereuses. (†) Tourelles 1 VITESSE, TRIPHASÉES. (Δ) Ces tourelles comprennent un potentiomètre de réglage de vitesse monté sur le moteur.

FRANCAIS

Tourelles d'extraction à jet ascendant centrifuges à entraînement direct Dayton®

Performances (suite)

Toiture	Modèle		Dia. turbine	HP	Hélice tr/min	BHP maxi	Sones à 0,250" SP	Débit d'air (pi ³ /min) à la pression statique indiquée						
	Mur							0,000"	0,125"	0,250"	0,375"	0,500"	0,750"	1,00"
VITESSE VARIABLE (Δ) Ces tourelles comprennent un potentiomètre de réglage de vitesse monté sur le moteur.														
48C178Δ	48C183Δ		21,0 cm	1/6	860 1140 1725	0,01 0,02 0,06	— — 6,1	235 312 472	95 222 413	— — 355	— — 289	— — 199	— — —	— — —
48C179Δ	48C184Δ		27,9	1/6	860 1140 1725	0,02 0,04 0,12	— 4,6 9,4	450 596 903	324 505 842	— 395 782	— — 722	— — 652	— — 420	— — —
5DVR2AΔ	6KWH9AΔ		27,9	1/4	860 1140 1725	0,04 0,09 0,29	0,6 6,5 12,5	732 970 1468	625 897 1422	481 806 1373	— 707 1315	— — 1255	— — 1129	— — 970
48C180Δ	48C185Δ		31,8	1/2	860 1140 1725	0,06 0,14 0,48	5,6 8,2 16,7	1015 1346 2037	905 1261 1979	781 1180 1923	581 1091 1869	— 981 1816	— — 1710	— — 1571
48C181Δ	48C186Δ		33,7	3/4	860 1140 1725	0,08 0,17 0,60	7,7 11,8 18,4	1180 1564 2366	1057 1471 2305	914 1379 2244	675 1280 2183	— 1144 2122	— — 1994	— — 1838
5DVR3AΔ	6KWJ0AΔ		37,5	3/4	1050 1300 1550	0,22 0,43 0,72	9,8 12,8 17,5	1902 2355 2808	1800 2277 2743	1680 2186 2671	1540 2086 2594	1372 1979 2509	— 1717 2329	— 1269 2110
5DVR4AΔ	6KWJ1AΔ		41,9	3/4	550 860 1140	0,07 0,25 0,58	— 9,9 14,8	1581 2472 3277	1303 2315 3161	— 2156 3035	— 1918 2896	— 1680 2745	— — 2421	— — 1983
48C182Δ	48C187Δ		47,0	1	745 860 1000	0,26 0,40 0,63	8,1 11,1 14,7	2815 3249 3778	2617 3074 3625	2448 2922 3486	2143 2732 3362	1763 2474 3190	— — 2738	— — —

Valeurs certifiées pour une installation de type A : admission libre, refoulement libre. Les valeurs indiquées ne tiennent pas compte des effets des équipements connexes (accessoires). Les données acoustiques indiquées sont des valeurs de sonie exprimées en sones ventilateur à 1,5 m (5 pieds) en champ libre hémisphérique calculés selon la norme AMCA 301. Valeurs indiquées pour une installation de type A : niveaux de sonie hémisphérique à l'admission libre. (‡) Moteurs homologués UL pour les zones dangereuses. (†) Tourelles 1 VITESSE, TRIPHASÉES. (Δ) Ces tourelles comprennent un potentiomètre de réglage de vitesse monté sur le moteur.

Informations générales sur la sécurité

▲ DANGER Ne pas dépendre d'un interrupteur comme unique moyen de coupure de l'alimentation lors de l'installation ou de l'entretien de l'appareil. Pour écarter les risques d'incendie, de choc électrique ou de blessure grave, veiller à toujours débrancher, verrouiller et étiqueter la source de courant avant l'installation ou l'entretien. Le moteur redémarre sans avertir après déclenchement de la protection thermique. Ne pas toucher le moteur en marche, il peut être assez chaud pour causer des lésions.

▲ DANGER Ne pas placer de parties du corps ni d'objets dans les ouvertures du ventilateur, du moteur ou de l'entraînement si l'appareil est raccordé à une source de courant.

▲ AVERTISSEMENT Ne pas utiliser ce matériel dans des atmosphères explosives sauf si le moteur et le sectionneur sont conçus pour les milieux dangereux.

1. Lire et respecter toutes les instructions et marques de mise en garde. S'assurer que la source d'alimentation est conforme aux exigences pour le matériel et à la réglementation en vigueur.
2. Les tourelles doivent être assemblées, posées et entretenues par un technicien qualifié. Confier tous les travaux d'électricité à un électricien qualifié.
3. Respecter tous les codes d'électricité et de sécurité en vigueur aux États-Unis et au Canada, ainsi que le National Electrical Code (NEC), l'Occupational Safety and Health Act (OSHA) et le National Fire Protection Association (NFPA) Bulletin 96 aux États-Unis. Mettre le moteur à la terre conformément à l'Article 250 (mise à la terre) du NEC. Au Canada, respecter le Code canadien de l'électricité.

▲ ATTENTION Pour réduire le risque de blessure corporelle, respecter ce qui suit :

L'OSHA exige des protections agréées OSHA lorsque l'appareil est posé à moins de 2,1 m (7 pieds) du niveau du sol ou de travail.

Les normes UL/UL exigent des protections agréées OSHA lorsque l'appareil est posé à moins de 2,4 m (8 pieds) du niveau du sol ou de travail.

4. Ne pas plier le câble d'alimentation ni le laisser venir en contact d'objets coupants, d'huile, de graisse, de surfaces chaudes ou de produits chimiques. Changer immédiatement tout cordon endommagé.
5. S'assurer que la source d'alimentation est conforme aux exigences pour le matériel.

Modèles 4HZ32G à 4HZ59G, 5DVN6 à 5DVN9, 5DVP0 à 5DVP9, 5DVR0, 5DVR1, 5DVR2A à 5DVR4A, 6KWH7, 6KWH8, 6KWH9A, 6KWJ0A, 6KWJ1A, 6KWJ2, 6KWJ3, 48C178 à 48C187

Informations générales sur la sécurité (suite)

6. Ne jamais ouvrir le capot d'accès d'une gaine alors que le ventilateur est en marche.
7. Le moteur doit être correctement et solidement relié à la terre. Pour cela, le raccorder à un chemin de câble à revêtement métallique relié à la terre au moyen d'un fil de terre séparé raccordé au métal nu de la carcasse du moteur, ou autre moyen adapté.

Pose

⚠ AVERTISSEMENT *La pose, le dépannage et le remplacement de pièces doivent être effectués exclusivement par du personnel qualifié. Consulter et respecter les dispositions de NFPA 96. Les instructions de NFPA 96 ont priorité sur ce document.*

⚠ AVERTISSEMENT *Ne pas utiliser de registre ni de commande de vitesse dans une application d'extraction de cuisine.*

⚠ ATTENTION *Ne pas soulever la tourelle par sa virole, utiliser une élingue ou un plateau.*

POSE EN TOITURE

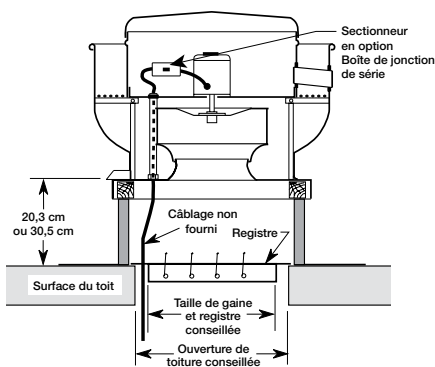


Figure 3 — Pose en toiture typique

1. Découper une ouverture de taille adaptée dans la surface du toit. Suivre les instructions de pose du fabricant de costière. Effectuer le calfatage et l'abergement de la costière pour assurer l'étanchéité à l'eau.

2. Poser le registre antirefoulement en option. Fixer la bride du registre au plateau de registre de la costière avec la visserie fournie.
3. Déposer le capot moteur en déposant préalablement sa visserie.
4. Poser la tourelle sur la costière.
5. Fixer la tourelle à la costière avec un minimum de huit vis.
6. Vérifier que la turbine tourne librement.
7. Vérifier le bon serrage de toute la visserie.
8. Poser conformément aux exigences de NEC 70 pour les appareils d'extraction de restauration.
9. Poser et câbler le sectionneur de sécurité sous le capot de ventilateur et câbler le moteur conformément au schéma de câblage. Voir Raccordement électrique, Figure 7, page 6. Câbler les commutateurs de commande au niveau du sol.
10. Remettre le capot de moteur en place.
11. Toutes les tourelles en toiture à rejet vertical Dayton comportent une gouttière de récupération. Prévoir un moyen de collecte de la graisse et des résidus.

POSE MURALE

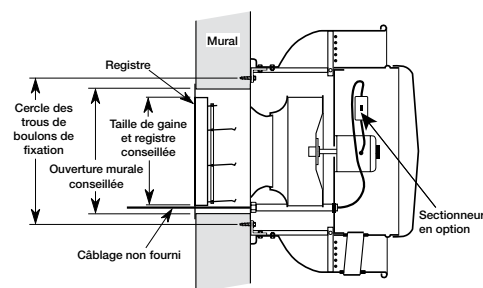


Figure 4 — Pose murale typique

1. Déposer la plaque de fixation de venturi de la tourelle en déposant préalablement sa visserie.

2. Déposer le capot du compartiment moteur en déposant préalablement sa visserie.
3. Placer la plaque de fixation à l'endroit souhaité et vérifier qu'il ne présente aucun problème de dégagement (immeubles et personnes).
4. Découper une ouverture carrée de dimension appropriée dans le mur.
5. Poser le registre antirefoulement en option avec la flèche pointée vers le haut.
6. Mettre la plaque de fixation en place et l'attacher à la structure du mur. Les boulons doivent passer à travers les trous prévus dans les agrafes de fixation d'angle sur la plaque de fixation. Sur les surfaces irrégulières, des cales d'épaisseur peuvent être nécessaires.
7. Appliquer de la pâte d'étanchéité ou du mastic dans l'interstice entre la plaque de fixation et le mur afin d'empêcher les infiltrations d'humidité. Tirer le câble électrique depuis l'intérieur du bâtiment à travers l'orifice de dégagement du registre et la rainure du conduit de tourelle jusqu'au compartiment moteur.
8. Rattacher la tourelle sur la plaque de fixation. L'appareil doit être orienté de telle façon que le tube de reniflard pointe directement vers la bas.
9. Guider le tube de conduit à travers l'orifice dans le bac de support du moteur. Enfiler les profils de support horizontaux sur les agrafes de fixation d'angle de la plaque de fixation jusqu'à aligner les trous de la virole et des agrafes. Remonter la visserie et serrer.
10. Poser et câbler le sectionneur de sécurité sous le capot de ventilateur et câbler le moteur conformément au schéma de câblage sur le moteur. Câbler les commutateurs de commande au niveau du sol. Voir Raccordement électrique, page 6, Figure 7.
11. Remettre le capot de moteur en place.

Tourelles d'extraction à jet ascendant centrifuges à entraînement direct Dayton®

UL 762 CUISINE COMMERCIALE

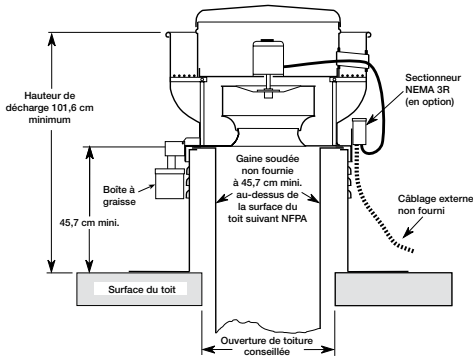


Figure 5 — Pose en toiture pour cuisine

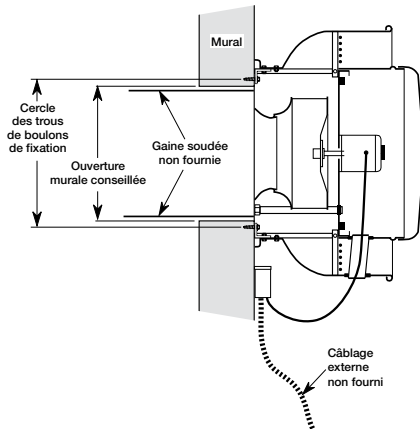


Figure 6 — Pose murale pour cuisine

1. Poser conformément aux exigences de NFPA 96 pour les appareils d'extraction de restauration.
2. Poser le collecteur de graisse, les charnières ou la boîte de jonction externe en option.

AVERTISSEMENT Ne pas utiliser de registre dans une application d'extraction de cuisine.

3. La section de la gaine doit être égale ou supérieure à l'ouverture d'admission. Certaines réglementations locales exigent une soudure continue entre la gaine et l'admission. Maintenir le tube de refroidissement du moteur dégagé.

RACCORDEMENT ÉLECTRIQUE

REMARQUE : Voir le câblage sur la plaque signalétique du moteur. Se reporter aux procédures de pose et de câblage du fabricant de commutateur. Des vitesses de gaines minimales doivent être maintenues dans les applications d'extraction de cuisine. Si un régulateur de vitesse est utilisé, s'assurer de la conformité à tous les codes en vigueur.

REMARQUE : Les tourelles d'extraction utilisées pour la ventilation de cuisines doivent être câblées par l'extérieur.

REMARQUE : Le moteur et le sectionneur doivent être classés « milieux dangereux » pour la 6KWJ2 et 6KWJ3 ventilateurs pour être utilisable dans des milieux dangereux. La pose doit être effectuée par du personnel qualifié, avec un moteur et un sectionneur adaptés pour l'application considérée.

1. Le moteur et la tourelle doivent être solidement reliés à la terre (métal nu) via une masse électrique adaptée, telle qu'une conduite d'eau reliée à la terre ou un circuit de terre.

REMARQUE : Voir le schéma de câblage à la Figure 7.

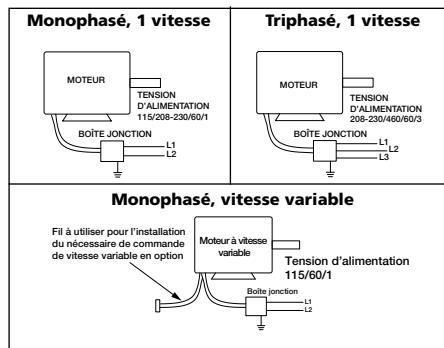


Figure 7 — Schéma de câblage typique

Fonctionnement

1. Avant de démarrer et d'utiliser la tourelle, vérifier le bon serrage de toute la visserie. En particulier, contrôler les vis de calage du moyeu de turbine (et des poulies, le cas échéant). En position OFF (Arrêt), ou avant de brancher l'alimentation de la tourelle, tourner la turbine à la main pour s'assurer qu'elle ne heurte aucun orifice ou obstruction.
2. Démarrer la tourelle et l'arrêter immédiatement pour vérifier que le sens de rotation de la turbine correspond à la flèche dans le compartiment du moteur. La turbine doit tourner dans le **sens des aiguilles d'une montre** lorsqu'elle est vue par le dessus.
3. Lorsque la tourelle est en marche, observer son fonctionnement et vérifier l'absence de bruits inhabituels. Garder les ouvertures d'admission et les approches de la tourelle propres et non obstruées.
4. Le système étant en marche avec toutes les gaines posées, mesurer l'intensité de courant vers le moteur et la comparer à l'intensité nominale figurant sur la plaque signalétique pour vérifier si le moteur fonctionne dans des conditions de charge admissibles.
5. Les moteurs à vitesse variable peuvent être commandés de deux façons.
 - a. Un potentiomètre est monté sur le carter du moteur pour régler la vitesse. Tourner le potentiomètre à l'aide d'un tournevis pour ajuster la vitesse.

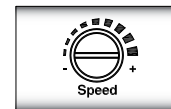


Figure 8 — Réglage de vitesse variable

- b. Le moteur comporte un fil muni d'un capuchon qui peut être raccordé à un nécessaire de commande de vitesse variable Dayton. Retirer le capuchon du fil du moteur pour le raccorder au fil du faisceau de moteur/transformateur à neuf broches. Suivre les instructions d'installation fournies avec le nécessaire de commande de vitesse variable en option.

Modèles 4HZ32G à 4HZ59G, 5DVN6 à 5DVN9, 5DVP0 à 5DVP9, 5DVR0, 5DVR1, 5DVR2A à 5DVR4A, 6KWH7, 6KWH8, 6KWH9A, 6KWJ0A, 6KWJ1A, 6KWJ2, 6KWJ3, 48C178 à 48C187

Entretien

▲ AVERTISSEMENT *Couper et verrouiller la source d'alimentation avant l'entretien.*

▲ ATTENTION *Un nettoyage irrégulier de la turbine produit un déséquilibre qui provoque des vibrations dans la tourelle.*

1. Garder les ouvertures d'admission et les approches vers la tourelles propres et non obstruées. En fonction de l'utilisation et du degré de saleté de l'air, il convient d'établir un contrôle à intervalles réguliers pour le nettoyage de la turbine, de la tourelle et des surfaces avoisinantes. Les applications sévères peuvent nécessiter un contrôle hebdomadaire.
2. Vérifier l'absence de bruits inhabituels durant la marche du ventilateur.
3. Contrôler régulièrement et resserrer toute la visserie.
4. Suivre la norme NEC 70 pour le nettoyage lorsque les tourelles sur des appareils d'extraction de restauration.
5. Suivre les instructions du fabricant du moteur concernant sa lubrification.
6. Pour démonter le moteur ou la turbine, consulter l'illustration des pièces.
7. Les récipients collecteurs de graisse doivent être vidés à intervalles réguliers pour éviter leur débordement.

Dépannage

Symptôme	Cause(s) possible(s)	
La tourelle ne fonctionne pas	<ol style="list-style-type: none"> 1. Fusible grillé ou disjoncteur ouvert 2. Moteur défectueux 3. Mauvais câblage 	<ol style="list-style-type: none"> 1. Changer ou réparer 2. Changer ou réparer 3. Couper l'alimentation et contrôler le bon raccordement des câbles
Débit d'air insuffisant	<ol style="list-style-type: none"> 1. Gaine obstruée ou filtres colmatés 2. Registre fermé 3. Rotation de la turbine incorrecte 4. Portions de gaine mal emboîtées permettant des fuites d'air 	<ol style="list-style-type: none"> 1. Nettoyer ou changer 2. Contrôler/réparer 3. Contrôler le câblage du moteur 4. Vérifier la solidité des raccordements de gaines
Bruit ou vibration excessifs	<ol style="list-style-type: none"> 1. Turbine desserrée 2. Accumulation de matières sur la turbine 3. Socle de tourelle pas solidement ancré 4. La coiffe de moteur est lâche et vibre 5. Turbine déséquilibrée 	<ol style="list-style-type: none"> 1. Serrer les vis de calage 2. Nettoyer 3. Fixer correctement 4. Serrer les écrous borgnes de fixation de la coiffe de moteur 5. Changer la turbine
Surcharge ou surchauffe du moteur	<ol style="list-style-type: none"> 1. Bobinage du moteur en court-circuit 2. Rotation de la turbine incorrecte 3. Sur- ou sous-tension secteur 	<ol style="list-style-type: none"> 1. Changer le moteur 2. Contrôler le câblage du moteur 3. Communiquer avec la compagnie d'électricité

Pour les pièces de rechange, appeler le 1-800-Grainger

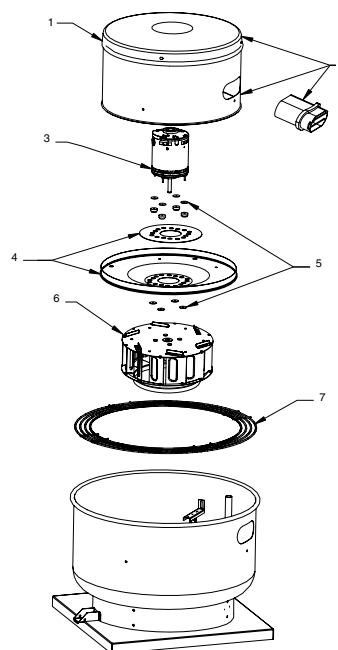
24 h/24 – 365 jours par an

Veuillez fournir les renseignements suivants :

-Numéro de modèle

-Numéro de série (le cas échéant)

-Description et numéro de pièce indiqués sur la nomenclature des pièces



Nomenclature des pièces de rechange pour tourelles d'extraction centrifuges de toiture à entraînement direct

N° de réf.	Description	Numéro de pièce pour le modèle :									Qté
		4HZ32G	4HZ33G	4HZ36G	4HZ37G	4HZ40G	4HZ41G	4HZ44G	4HZ45G	4HZ48G	
1	Capot	21DY72	21DY72	21DY73	21DY73	21DY73	21DY73	21DY73	21DY73	21DY74	1
2	Coiffe complète	21DZ07	21DZ07	21DZ09	21DZ09	21DZ09	21DZ09	21DZ09	21DZ09	21DZ71	1
3	Moteur	4YU32	4YU33	4YU23	4YU27	4YU23	4YU27	4YU19	4YU29	4YU19	1
4	Platine support	21DY78	21DY78	21DZ30	21DZ33	21DZ33	21DZ33	21DY10	21DY10	21DZ53	1
5	Nécessaire isolement	21DZ10	21DZ10	21DZ10	21DZ10	21DZ10	21DZ10	21DZ10	21DZ10	21DY93	1
6	Turbine	21DY84	21DY86	21DY89	21DY89	21DY91	21DY91	21DZ46	21DZ46	21DW39	1
7	Grille oiseaux	4ZA27	4ZA27	4YY78	4YY78	4YY78	4YY78	4YY78	4YY78	4YY79	1

N° de réf.	Description	Numéro de pièce pour le modèle :									Qté
		4HZ49G	4HZ52G	4HZ53G	4HZ56G	4HZ57G	5DVN6	5DVN8	5DVP0	5DVP2	
1	Capot	21DY74	21DY74	21DY74	21DY75	21DY75	21DY72	21DY72	21DW30	21DW30	1
2	Coiffe complète	21DZ71	21DZ71	21DZ71	21DZ72	21DZ72	21DZ07	21DZ07	21DW41	21DW41	1
3	Moteur	4YY54	4YU20	4YY55	4YU22	4YU26	21DW27	4YU32	1AGF8	1AGF8	1
4	Platine support	21DZ53	21DZ53	21DZ32	21DW38	21DZ35	21DY78	21DY78	21DW31	21DW31	1
5	Nécessaire isolement	21DY93	21DY93	21DY93	21DY93	21DY93	21DZ10	21DZ10	21DZ10	21DZ10	1
6	Turbine	21DW39	21DZ44	21DX68	21DZ54	21DZ54	21DW32	21DY85	21DW33	21DP30	1
7	Grille oiseaux	4YY79	4YY79	4YY79	4YY80	4YY80	4ZA27	4ZA27	21DW49	21DW49	1

N° de réf.	Description	Numéro de pièce pour le modèle :								Qté	
		5DVP4	5DVP6	5DVP8	5DVR0	5DVR2A	5DVR3A	5DVR4A	6KWH7		6KWH8
1	Capot	21DW30	21DW30	21DY73	21DY75	21DY73	21DY74	21DY74	21DY74	21DY75	1
2	Coiffe complète	21DW41	21DW41	21DZ09	21DZ72	21DZ09	21DZ71	21DZ71	21DZ05	21DV76	1
3	Moteur	21DW28	4YU34	4YU28	21DW29	43Y136	43Y138	43Y138	21DV61	21DV66	1
4	Platine support	21DW31	21DW31	21DZ31	21DW38	21DZ33	21DZ53	21DZ53	21DV79	21DV77	1
5	Nécessaire isolement	21DZ10	21DZ10	21DZ10	21DV98	21DZ10	21DY93	21DY93	21DY99	21DZ04	1
6	Turbine	21DW34	21DY87	21EC48	21DW37	21DY91	29PH76	21DZ44	21DZ44	21DV74	1
7	Grille oiseaux	21DW49	21DW49	4YY78	4YY80	4YY78	4YY79	4YY79	4YY79	4YY80	1

N° de réf.	Description	Numéro de pièce pour le modèle :				Qté	
		48C178	48C179	48C180	48C181		48C182
1	Capot	21DY72	21DW30	21DY73	21DY73	21DY75	1
2	Coiffe complète	21DZ07	21DW41	21DZ09	21DZ09	21DZ72	1
3	Moteur	43Y135	43Y135	43Y137	43Y138	43Y139	1
4	Platine support	21DY78	21DW31	21DZ31	21DY10	21DW38	1
5	Nécessaire isolement	21DZ08	21DZ08	21DZ10	21DZ10	21DY93	1
6	Turbine	21DY77	21DW34	21EC48	21DY09	21DW17	1
7	Grille oiseaux	4ZA27	21DW49	4YY78	4YY78	4YY80	1

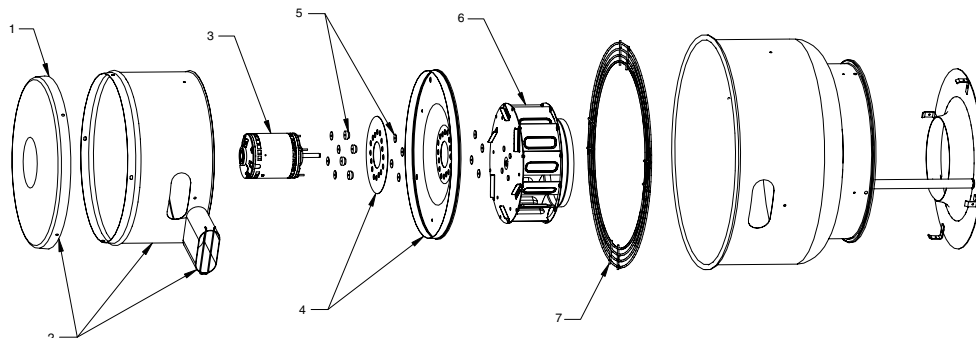
FRANÇAIS

Pour les pièces de rechange, appeler le 1-800-Grainger

24 h/24 – 365 jours par an

Veuillez fournir les renseignements suivants :

- Numéro de modèle
- Numéro de série (le cas échéant)
- Description et numéro de pièce indiqués sur la nomenclature des pièces



Nomenclature des pièces de rechange pour tourelles d'extraction centrifuges murales à entraînement direct

N° de réf.	Description	Numéro de pièce pour le modèle :									Qté
		4HZ34G	4HZ35G	4HZ38G	4HZ39G	4HZ42G	4HZ43G	4HZ46G	4HZ47G	4HZ50G	
1	Capot	21DY72	21DY72	21DY73	21DY73	21DY73	21DY73	21DY73	21DY73	21DY74	1
2	Coiffe complète	21DZ07	21DZ07	21DZ09	21DZ09	21DZ09	21DZ09	21DZ09	21DZ15	21DZ16	1
3	Moteur	4YU32	4YU33	4YU23	4YU27	4YU23	4YU27	4YU19	4YU29	4YU19	1
4	Platine support	21DY78	21DY78	21DZ30	21DZ30	21DZ33	21DZ33	21DY10	6366516	21DZ53	1
5	Nécessaire isolement	21DZ10	21DZ10	21DZ10	21DZ10	21DZ10	21DZ10	21DZ10	21DZ04	21DY93	1
6	Turbine	21DY84	21DY86	21DY89	21DY89	21DY91	21DY91	21DZ46	21DZ46	21DW39	1
7	Grille oiseaux	4ZA27	4ZA27	4YY78	4YY78	4YY78	4YY78	4YY78	4YY78	4YY79	1

N° de réf.	Description	Numéro de pièce pour le modèle :									Qté
		4HZ51G	4HZ54G	4HZ55G	4HZ58G	4HZ59G	5DVN7	5DVN9	5DVP1	5DVP3	
1	Capot	21DY74	21DY74	21DY74	21DY75	21DY75	21DY72	21DY72	21DW30	21DW30	1
2	Coiffe complète	21DZ71	21DZ16	21DZ16	21DZ72	21DZ72	21DZ07	21DZ07	21DW41	21DW41	1
3	Moteur	4YY54	4YU20	4YY55	4YU22	4YU26	21DW27	4YU32	1AGF8	1AGF8	1
4	Platine support	21DZ53	21DZ53	21DZ32	21DZ35	21DZ35	21DY78	21DY78	21DW31	21DW31	1
5	Nécessaire isolement	21DZ10	21DZ10	21DZ04	21DZ10	21DZ10	21DZ10	21DZ10	21DZ10	21DZ10	1
6	Turbine	21DW39	21DZ44	21DX68	21DZ54	21DZ54	21DW32	21DY85	21DW33	21DP30	1
7	Grille oiseaux	4YY79	4YY79	4YY79	4YY80	4YY80	4ZA27	4AZ27	21DW49	21DW49	1

N° de réf.	Description	Numéro de pièce pour le modèle :									Qté
		5DVP5	5DVP7	5DVP9	5DVR1	6KWH9A	6KWJ0A	6KWJ1A	6KWJ2	6KWJ3	
1	Capot	21DW30	21DW30	21DY73	21DY75	21DY73	21DY74	21DY74	21DY73	21DY73	1
2	Coiffe complète	21DW41	21DW41	21DZ09	21DZ72	21DZ09	21DZ16	21DZ16	21DZ02	21DZ02	1
3	Moteur	21DW28	4YU34	4YU28	21DW29	43Y136	43Y138	43Y138	21DV65†	21DV65†	1
4	Platine support	21DW31	21DW31	21DY10	21DW38	21DZ10	21DY93	21DZ04	21DV78	21DV80	1
(*)	Bague frottement alu	—	—	—	—	—	—	—	21DP94	21DP94	1
5	Nécessaire isolement	21DZ10	21DZ10	21DZ10	21DV98	21DZ33	21DZ53	21DZ32	21DZ04	21DZ04	1
6	Turbine	21DW34	21DY87	21EC48	21DW37	21DY91	29PH76	21DZ44	21DV72	21DV73	1
7	Grille oiseaux	21DW49	21DW49	4YY78	4YY80	4YY78	4YY79	4YY79	4YY78	4YY78	1

N° de réf.	Description	Numéro de pièce pour le modèle :					Qté
		48C183	48C184	48C185	48C186	48C187	
1	Capot	21DY72	21DW30	21DY73	21DY73	21DY75	1
2	Coiffe complète	21DZ07	21DW41	21DZ09	21DZ09	21DZ72	1
3	Moteur	43Y135	43Y135	43Y137	43Y138	43Y139	1
4	Platine support	21DY78	21DW31	21DZ31	21DY10	21DZ35	1
5	Nécessaire isolement	21DZ08	21DZ08	21DZ10	21DZ10	21DZ10	1
6	Turbine	21DY86	21DW34	21EC48	21DY09	21DW17	1
7	Grille oiseaux	4ZA27	21DW49	4YY78	4YY78	4YY80	1

(*) Non représenté. Utilisation avec 6KWJ2 et 6KWJ3 dans les zones potentiellement dangereuses.

(†) Moteurs homologués UL pour les zones dangereuses de Classe I, Groupes C et D et Classe II, Groupes F et G.

FRANÇAIS

Tourelles d'extraction à jet ascendant centrifuges à entraînement direct Dayton®

GARANTIE LIMITÉE

GARANTIE LIMITEE DE UN AN DE DAYTON. LES MODÈLES DAYTON®, COUVERTS DANS CE MANUEL SONT GARANTIS À L'UTILISATEUR D'ORIGINE PAR DAYTON ELECTRIC MFG. CO. (DAYTON), CONTRE TOUT DÉFAUT DE FABRICATION OU DE MATÉRIAUX, LORS D'UNE UTILISATION NORMALE, ET CELA PENDANT UN AN APRÈS LA DATE D'ACHAT. TOUTE PIÈCE, DONT LES MATÉRIAUX OU LA MAIN D'OUVRE SERONT JUGÉS DÉFECTUEUX, ET QUI SERA RENVOYÉE PORT PAYÉ, À UN CENTRE DE RÉPARATION AUTORISÉ PAR DAYTON, SERA, À TITRE DE SOLUTION EXCLUSIVE, SOIT RÉPARÉE, SOIT REMPLACÉE PAR DAYTON. POUR LE PROCÉDÉ DE RÉCLAMATION SOUS GARANTIE LIMITÉE, REPORTEZ-VOUS À LA CLAUSE DE « DISPOSITION PROMPTE » CI-DESSOUS. CETTE GARANTIE LIMITÉE DONNE AUX ACHETEURS DES DROITS LÉGAUX SPÉCIFIQUES QUI VARIENT DE JURIDICTION À JURIDICTION.

LIMITES DE RESPONSABILITÉ. LA RESPONSABILITÉ DE DAYTON, DANS LES LIMITES PERMISES PAR LA LOI, POUR LES DOMMAGES INDIRECTS OU FORTUITS EST EXPRESSEMENT DÉNIÉE. DANS TOUS LES CAS LA RESPONSABILITÉ DE DAYTON EST LIMITÉE ET NE DÉPASSERA PAS LA VALEUR DU PRIX D'ACHAT PAYÉ.

DÉSISTEMENT DE GARANTIE. DE DILIGENTS EFFORTS SONT FAITS POUR FOURNIR AVEC PRÉCISION LES INFORMATIONS ET ILLUSTRATIONS DES PRODUITS DÉCRITS DANS CETTE BROCHURE ; CEPENDANT, DE TELLES INFORMATIONS ET ILLUSTRATIONS SONT POUR LA SEULE RAISON D'IDENTIFICATION, ET N'EXPRIMENT NI N'IMPLIQUENT QUE LES PRODUITS SONT COMMERCIALISABLES, OU ADAPTÉS À UN BESOIN PARTICULIER, NI QUE CES PRODUITS SONT NÉCESSAIREMENT CONFORMES AUX ILLUSTRATIONS OU DESCRIPTIONS. SAUF POUR CE QUI SUIT, AUCUNE GARANTIE OU AFFIRMATION DE FAIT, ÉNONCÉE OU IMPLICITE, AUTRE QUE CE QUI EST ÉNONCÉ DANS LA « GARANTIE LIMITÉE » CI-DESSUS N'EST FAITE OU AUTORISÉE PAR DAYTON.

Désistement sur les conseils techniques et les recommandations. Peu importe les pratiques ou négociations antérieures ou les usages commerciaux, les ventes n'incluent pas l'offre de conseils techniques ou d'assistance ou encore de conception de système. Dayton n'a aucune obligation ou responsabilité quant aux recommandations non autorisées, aux opinions et aux suggestions relatives au choix, à l'installation ou à l'utilisation des produits.

Conformité du produit. De nombreuses juridictions ont des codes et règlements qui gouvernent les ventes, constructions, installations et/ou utilisations de produits pour certains usages qui peuvent varier par rapport à ceux d'une zone voisine. Bien que Dayton essaie de s'assurer que ses produits s'accordent avec ces codes, Dayton ne peut garantir cet accord, et ne peut être jugée responsable pour la façon dont le produit est installé ou utilisé. Avant l'achat et l'usage d'un produit, revoir les applications de ce produit, ainsi que tous les codes et règlements nationaux et locaux applicables, et s'assurer que le produit, son installation et son usage sont en accord avec eux.

Certains aspects de désistement ne sont pas applicables aux produits pour consommateur ; ex : (a) certaines juridictions ne permettent pas l'exclusion ou la limitation des dommages indirects ou fortuits et donc la limitation ou exclusion ci-dessus peut ne pas s'appliquer dans le cas présent ; (b) également, certaines juridictions n'autorisent pas de limitations de durée de la garantie implicite, en conséquence, la limitation ci-dessus peut ne pas s'appliquer dans le cas présent ; et (c) par force de loi, pendant la période de cette Garantie Limitée, toutes garanties impliquées de commerciabilité ou d'adaptabilité à un besoin particulier applicables aux produits de consommateurs achetés par des consommateurs, peuvent ne pas être exclues ni autrement désistées.

Disposition prompte. Un effort de bonne foi sera fait pour corriger ou ajuster rapidement tout produit prouvé défectueux pendant la période de la garantie limitée. Pour tout produit considéré défectueux pendant la période de garantie limitée, contacter tout d'abord le concessionnaire où l'appareil a été acheté. Le concessionnaire doit donner des instructions supplémentaires. S'il est impossible de résoudre le problème de façon satisfaisante, écrire à Dayton à l'adresse ci-dessous, en indiquant le nom et l'adresse du concessionnaire, la date et le numéro de la facture du concessionnaire, et en décrivant la nature du défaut. Le titre et le risque de perte passent à l'acheteur au moment de la livraison par le transporteur. Si le produit a été endommagé pendant le transport, une réclamation doit être faite auprès du transporteur.