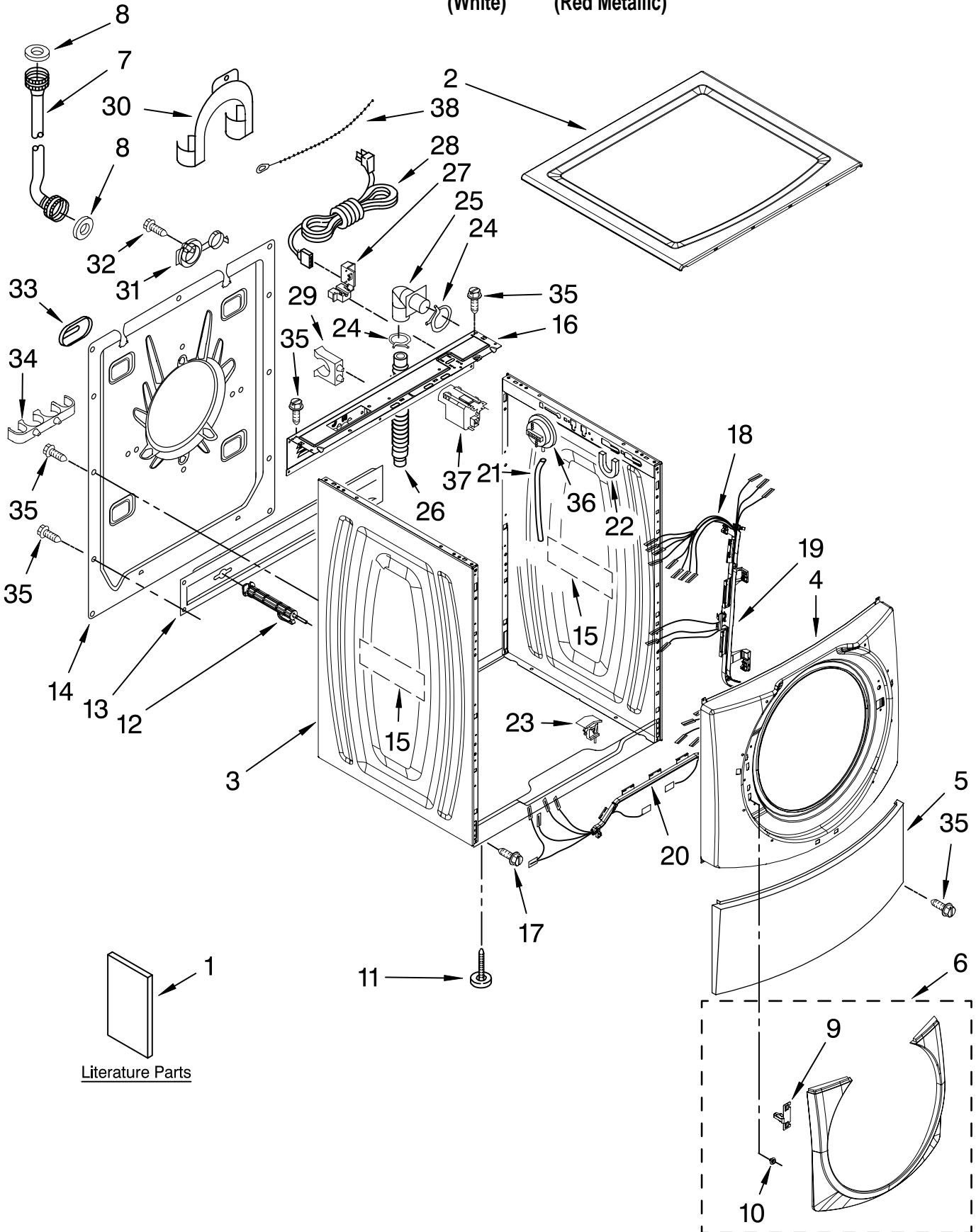


## TOP AND CABINET PARTS

For Models: MHWE300VW00, MHWE300VF00

(White) (Red Metallic)

AUTOMATIC  
WASHER



FOR ORDERING INFORMATION REFER TO PARTS PRICE LIST

# TOP AND CABINET PARTS

For Models: MHWE300VW00, MHWE300VF00

(White) (Red Metallic)

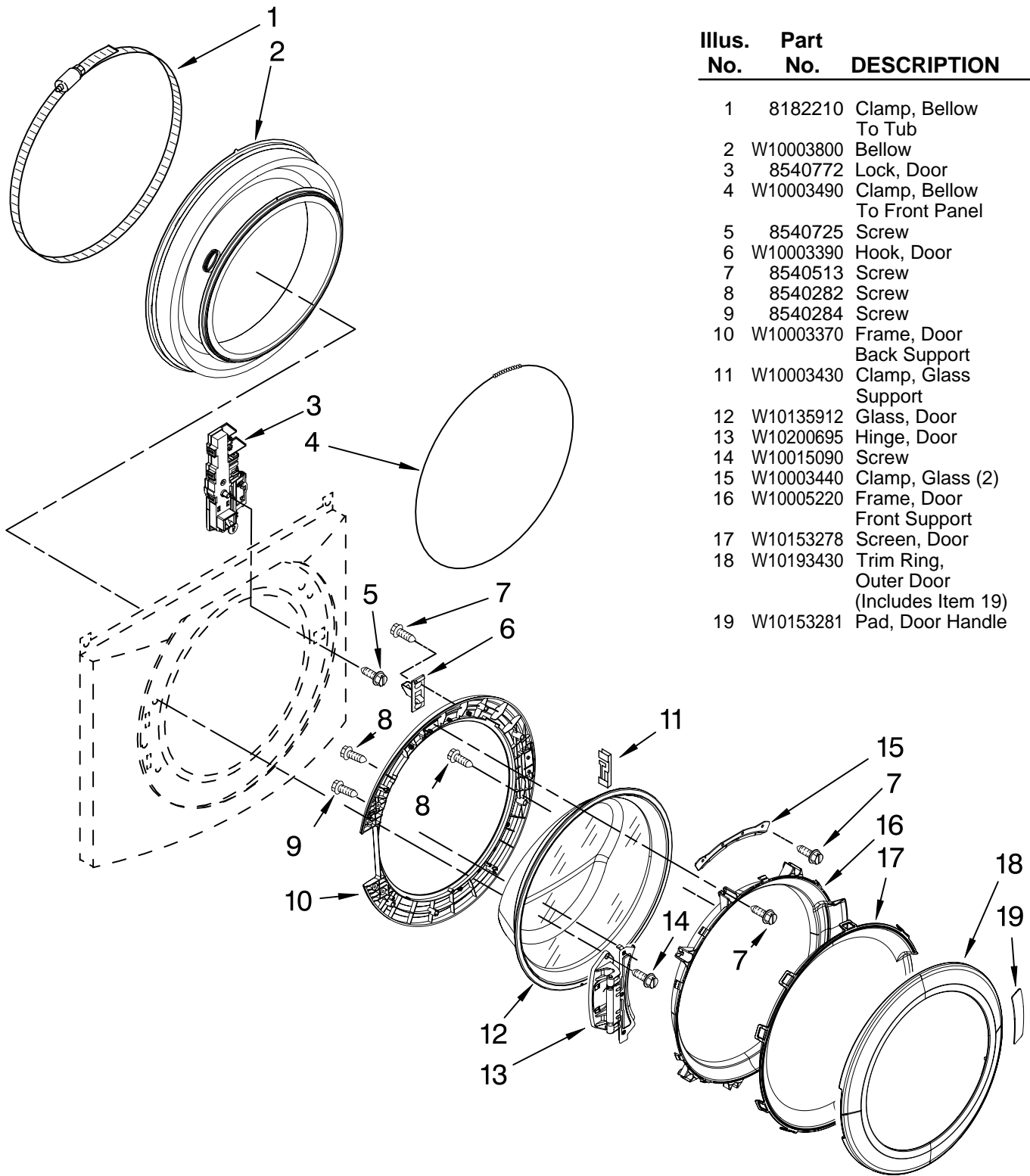
Illus. No.	Part No.	DESCRIPTION	Illus. No.	Part No.	DESCRIPTION	Illus. No.	Part No.	DESCRIPTION
1		Literature Parts	8	16123	Washer, Water	23	8540210	Microswitch (2)
	W10157503	Use & Care Guide			Inlet Hose (4)	24	356138	Clamp, Hose
	W10177425	Tech Sheet	9	W10112671	Clip, Trim-Metal	25	W10003260	Connector, Drain Hose
	W10157501	Energy Guide	10	W10029650	Clip, Trim	26	W10003280	Hose, Drain (Outer)
2		Top	11	W10064810	Foot, Leveling	27	W10110676	Strain Relief
	W10003900	White	12		Bolt, Shipping	28	W10110674	Cord, Power
	W10176926	Red		W10003340	Upper	29	W10022290	Clip, Outer Hose Holder
3		Cabinet		W10003350	Lower	30	8540021	U-Bend, Drain Hose
	W10171708	White	13	W10003040	Brace, Transport	31	8540728	Sleeve, Cord Support (2)
	W10176849	Red	14	W10003030	Panel, Rear	32	8540727	Screw, 3 x 8 mm
4		Panel, Front	15	3976348	Absorber, Sound	33	8540268	Cover, Transport
	W10157475	White	16	W10110677	Brace, Rear	34	W10003270	Clip, Outer Hose Holder
	W10176905	Red	17	8540479	Screw, Grounding	35	W10015090	Screw, 8-18 x 5/8
5		Toe Panel	18	W10192665	Harness, Wiring (Lower Main) (Includes Items 19 & 20)	36	W10163982	Switch, Pressure
	W10003640	White				37	8540230	Filter Interference
	W10176919	Red	19	W10168550	Channel, Harness (Side)	38	3347868	Cable Tie
6		Ring, Trim	20	W10168549	Channel, Harness (Bottom)			
	W10182998	White	21	W10004260	Hose, Pressure Switch			
	W10190645	Red	22	W10008890	Bracket, Spring			
7		Hose, Water Inlet						
	8571377	Blue Coupler						
	8571378	Red Coupler						

FOR ORDERING INFORMATION REFER TO PARTS PRICE LIST

# DOOR AND LATCH PARTS

For Models: MHWE300VW00, MHWE300VF00

(White) (Red Metallic)

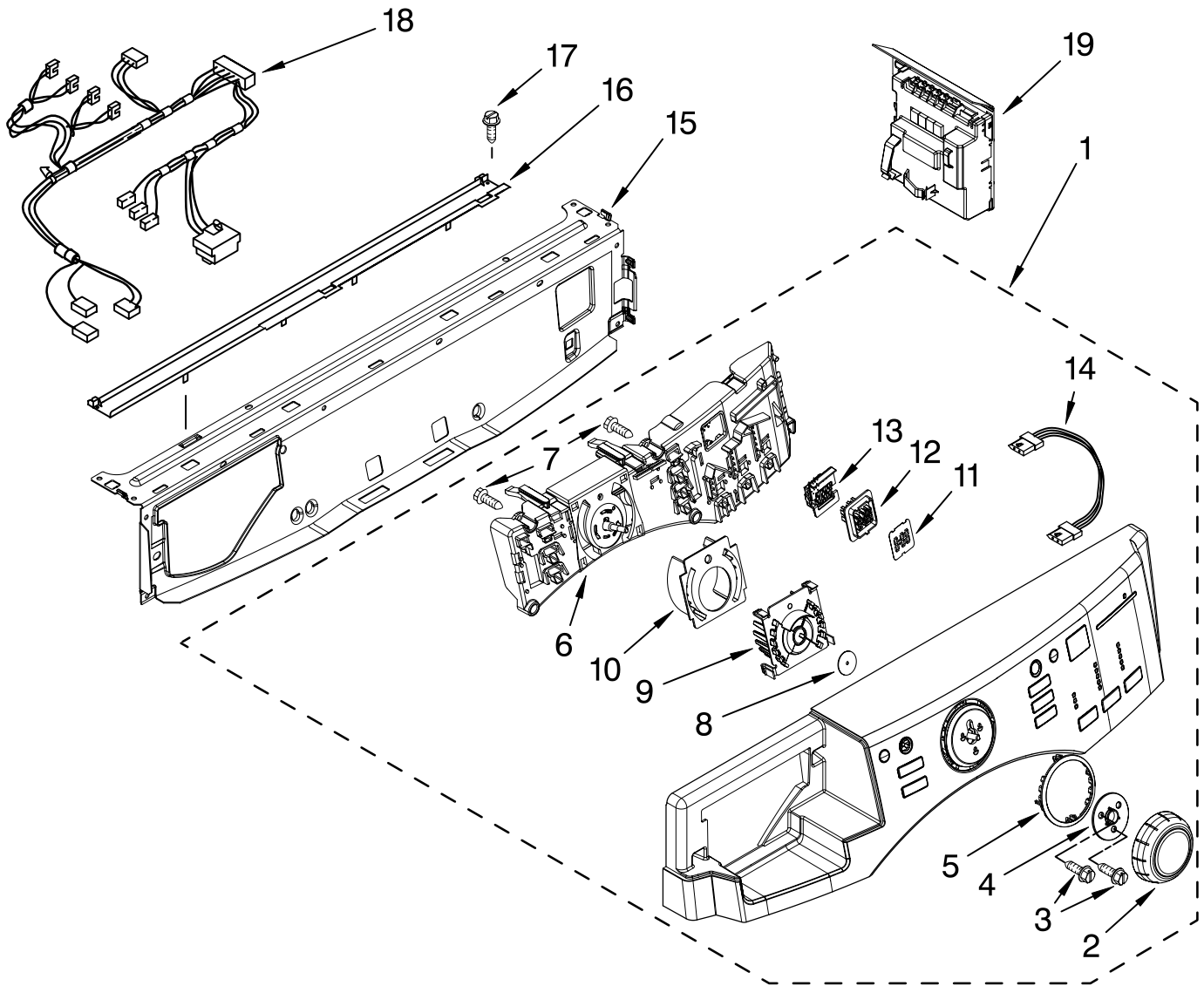


Illus. No.	Part No.	DESCRIPTION
1	8182210	Clamp, Bellow To Tub
2	W10003800	Bellow
3	8540772	Lock, Door
4	W10003490	Clamp, Bellow To Front Panel
5	8540725	Screw
6	W10003390	Hook, Door
7	8540513	Screw
8	8540282	Screw
9	8540284	Screw
10	W10003370	Frame, Door Back Support
11	W10003430	Clamp, Glass Support
12	W10135912	Glass, Door
13	W10200695	Hinge, Door
14	W10015090	Screw
15	W10003440	Clamp, Glass (2)
16	W10005220	Frame, Door Front Support
17	W10153278	Screen, Door
18	W10193430	Trim Ring, Outer Door (Includes Item 19)
19	W10153281	Pad, Door Handle

FOR ORDERING INFORMATION REFER TO PARTS PRICE LIST

# CONTROL PANEL PARTS

For Models: MHWE300VW00, MHWE300VF00  
(White) (Red Metallic)



Illus. No.	Part No.	DESCRIPTION
1	W10176626 White W10176641 Red	Panel, Control
2	W10164576	Knob, Control
3	8540513	Screw
4	W10172298	Bushing, Knob
5	W10164567	Light Guide, Cycle
6	W10164540	User Interface,
7	8540282	Screw

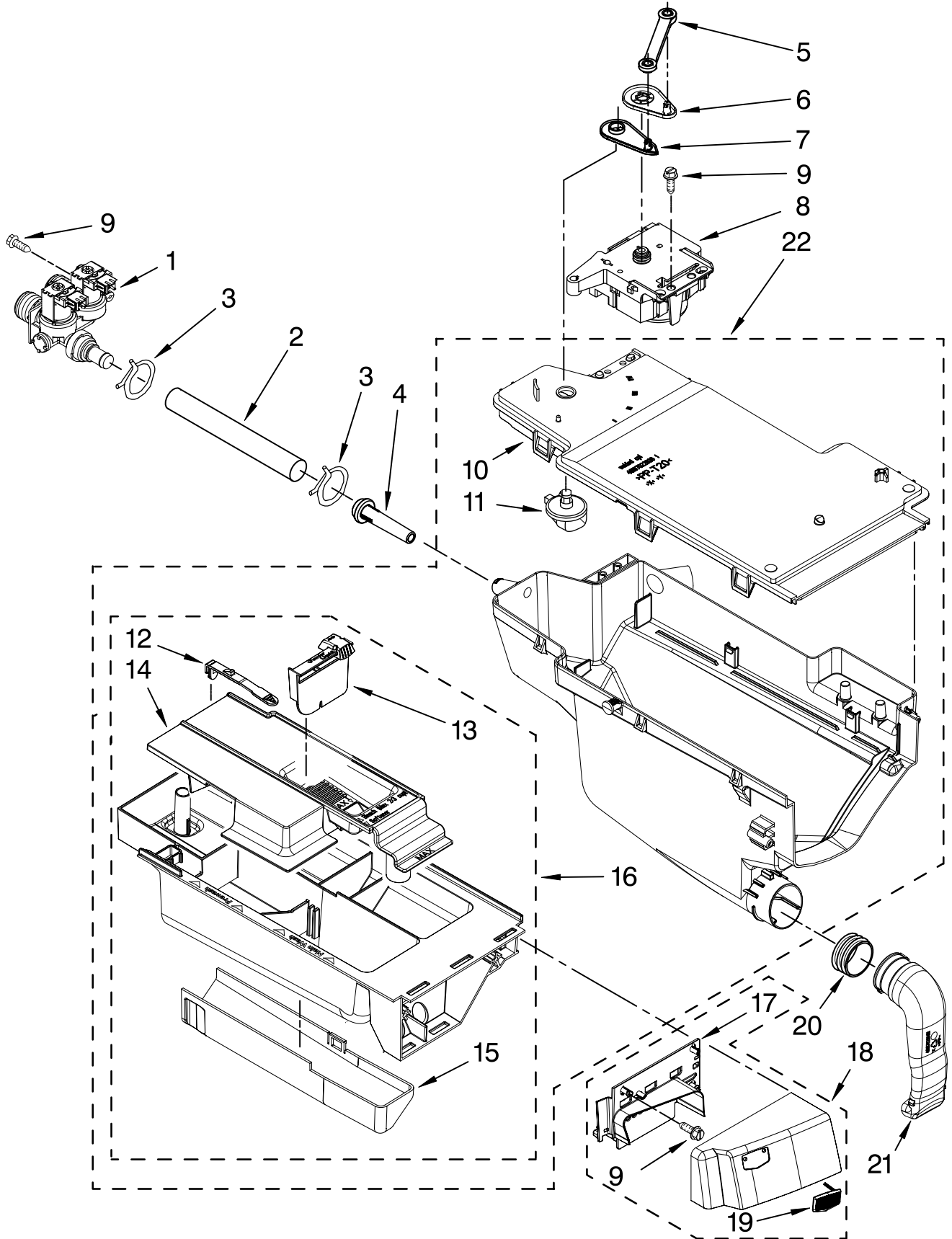
Illus. No.	Part No.	DESCRIPTION
8	8572039	Seal, User Interface
9	W10170293	Light Guide – Cycle, Internal
10	W10170295	Frame, Light Guide
11	W10171504	Foil – Display
12	W10164578	Light Guide – 3 Digit Display
13	W10171502	Frame – Light Guide Display

Illus. No.	Part No.	DESCRIPTION
14	W10067000	Harness, Wiring (User Interface)
15	W10059240	Brace, Front Top
16	W10003700	Channel, Water
17	W10015090	Screw
18	W10159723	Harness, Wiring (Upper Main)
19	W10157481	Microcomputer, Machine Control

FOR ORDERING INFORMATION REFER TO PARTS PRICE LIST

# DISPENSER PARTS

For Models: MHWE300VW00, MHWE300VF00  
(White) (Red Metallic)



FOR ORDERING INFORMATION REFER TO PARTS PRICE LIST

# DISPENSER PARTS

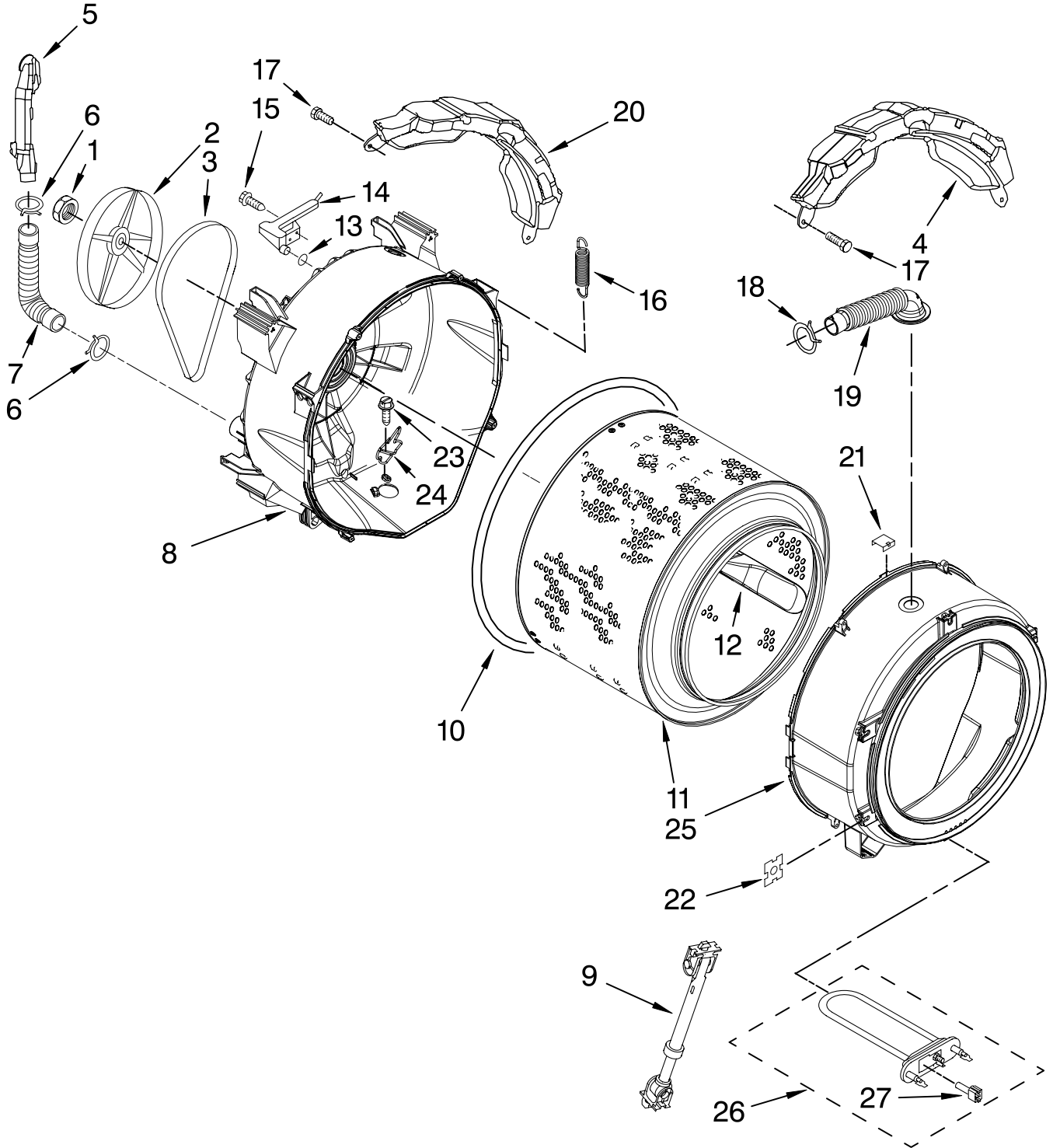
For Models: MHWE300VW00, MHWE300VF00  
(White) (Red Metallic)

<b>Illus. No.</b>	<b>Part No.</b>	<b>DESCRIPTION</b>
1	8540751	Valve, Inlet
2	8540065	Hose – Valve/ Dispenser
3	370450	Clamp
4	8540042	Nozzle, Inlet
5	W10003830	Lever, Connection
6	W10003190	Cam, Actuator
7	W10003180	Lever, Water Distribution
8	W10163975	Actuator
9	8540282	Screw
10	W10005080	Plate, Distribution
11	W10003110	Nozzle, Distribution
12	W10003170	Hook, Drawer
13	W10015200	Separator, With Selection Slider
14	W10003150	Siphon, Bleach/Softener
15	W10003140	Cover, Detergent Drawer
16	W10015190	Drawer, Detergent (Complete)
17		Bracket, Handle Fixation
	W10153277	White
	W10190550	Red
18		Handle, Drawer
	W10189238	White
	W10189239	Red
19	W10177245	Medallion
20	W10003360	Seal
21	W10005300	Tube, Dispenser To Bellow
22	W10074160	Dispenser, Complete (Includes Item 7)

# TUB AND BASKET PARTS

For Models: MHWE300VW00, MHWE300VF00

(White) (Red Metallic)



FOR ORDERING INFORMATION REFER TO PARTS PRICE LIST

# TUB AND BASKET PARTS

For Models: MHWE300VW00, MHWE300VF00

(White) (Red Metallic)

<b>Illus. No.</b>	<b>Part No.</b>	<b>DESCRIPTION</b>
1	8533999	Nut, Pulley
2	W10003730	Pulley
3	W10116215	Belt
4	W10008880	Counterweight Front (2)
5	W10003500	Pipe, Ventilation
6	8540010	Clamp
7	W10004330	Hose, Exhaust
8	W10004170	Tub, Rear (Includes Items 10, 22, 23 & 24)
9	W10015830	Shock Absorber (4)
10	W10036350	Gasket, Tub
11	W10040480	Basket
12	W10002770	Baffle, Tub
13	W10004270	O-Ring
14	W10003600	Airtrap
15	8540513	Screw
16	W10127411	Spring, Suspension (Set Of 2)
17	W10094780	Bolt, Counterweight Mtg.
18	3363365	Clamp, Hose
19	8540015	Hose, Exhaust
20	W10008870	Counterweight, Rear
21	8540092	Clamp, Tub
22	8540072	Nut, Push-In
23	8540880	Screw
24	W10015240	Clamp, Heating Element
25	W10004180	Tub, Front (Includes Items 10 & 22)
26	W10155115	Element, Heating
27	8540226	NTC

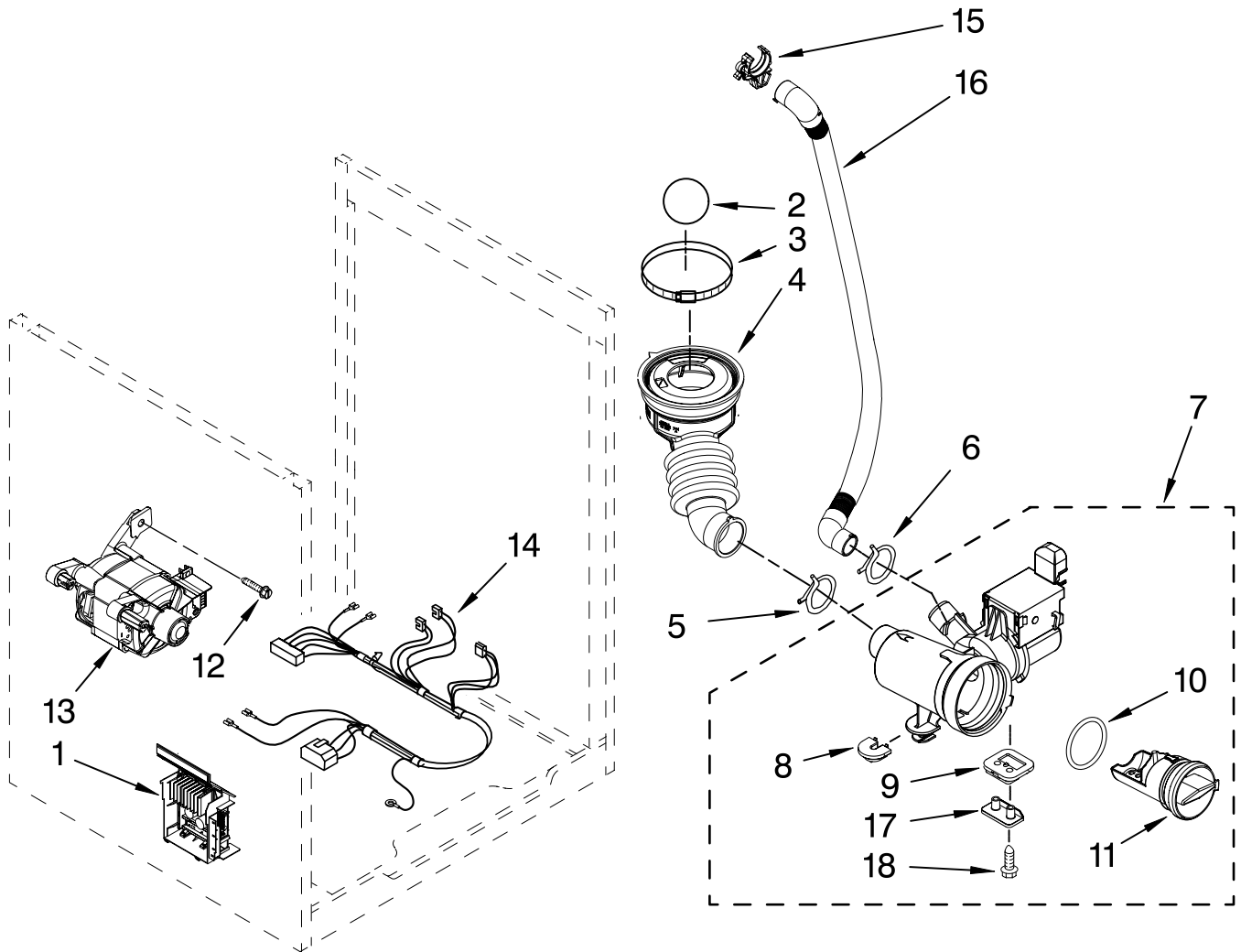
FOR ORDERING INFORMATION REFER TO PARTS PRICE LIST



# PUMP AND MOTOR PARTS

For Models: MHWE300VW00, MHWE300VF00

(White) (Red Metallic)



Illus. No.	Part No.	DESCRIPTION
1	W10015480	Motor Control Unit
2	W10003330	Ball
3	8540008	Clamp
4	W10003240	Hose, Tub to Pump
5	370448	Clamp
6	356138	Clamp
7	W10117829	Pump (Complete)

Illus. No.	Part No.	DESCRIPTION
8	W10034820	Foot, Rubber (Slider)
9	W10034830	Foot, Rubber (Lock)
10	8540025	Seal, Filter Cap
11	8540996	Cap, Filter
12	8540134	Bolt, Motor
13	W10140583	Motor

Illus. No.	Part No.	DESCRIPTION
14	W10004420	Harness, Motor
15	W10003290	Retainer, Drain Hose
16	W10003250	Drain Hose (Inner)
17	8540033	Cap, Lock Foot
18	8533964	Screw, 10-16 x 1.25 (2)

FOR ORDERING INFORMATION REFER TO PARTS PRICE LIST

# OPTIONAL PARTS (NOT INCLUDED)

For Models: MHWE300VW00, MHWE300VF00

(White) (Red Metallic)

<b>Illus.</b>	<b>Part</b>	
<b>No.</b>	<b>No.</b>	<b>DESCRIPTION</b>

## PAINT, TOUCH-UP (1/2oz.)

	72017	White
	W10218247	Red

## ACCESSORY PARTS

	285863	Drain Extension
	4396899	Rear Guard
	38005	Stack Kit
	W10135699	Affresh Odor Remover