



# 30" (76.2 cm) Freestanding Gas Range

## PRODUCT MODEL NUMBERS

MGR8670W      MGR8875W  
MGR8772W

**Natural gas:** This range is design-certified by CSA International for use with Natural gas or, after proper conversion, for use with LP gas.

• This range is factory set for use with Natural gas. See "Gas Conversions" section. The model/serial rating plate located behind the storage drawer on the right-hand side oven door frame has information on the types of gas that can be used. If the types of gas listed do not include the type of gas available, check with the local gas supplier.

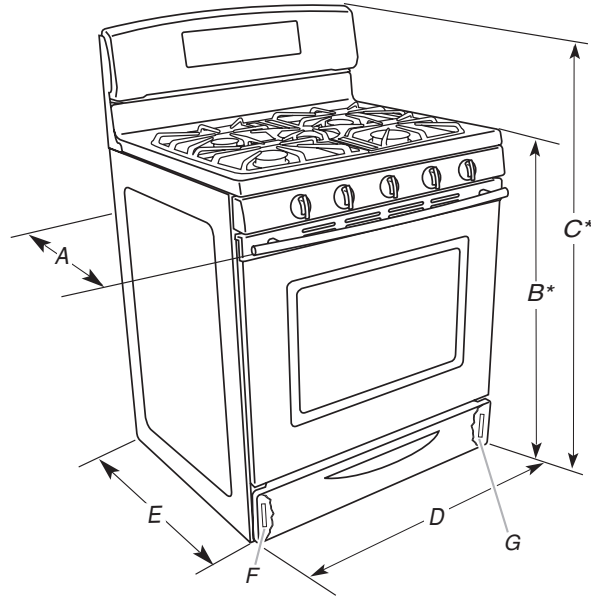
### LP gas conversion:

Conversion must be done by a qualified service technician.

No attempt shall be made to convert the appliance from the gas specified on the model/serial rating plate for use with a different gas without consulting the serving gas supplier. See "Gas Conversions" section.

• A 120 volt, 60 Hz., AC only, 15-amp fused, electrical circuit is required. A time-delay fuse or circuit breaker is also recommended. It is recommended that a separate circuit serving only this range be provided.

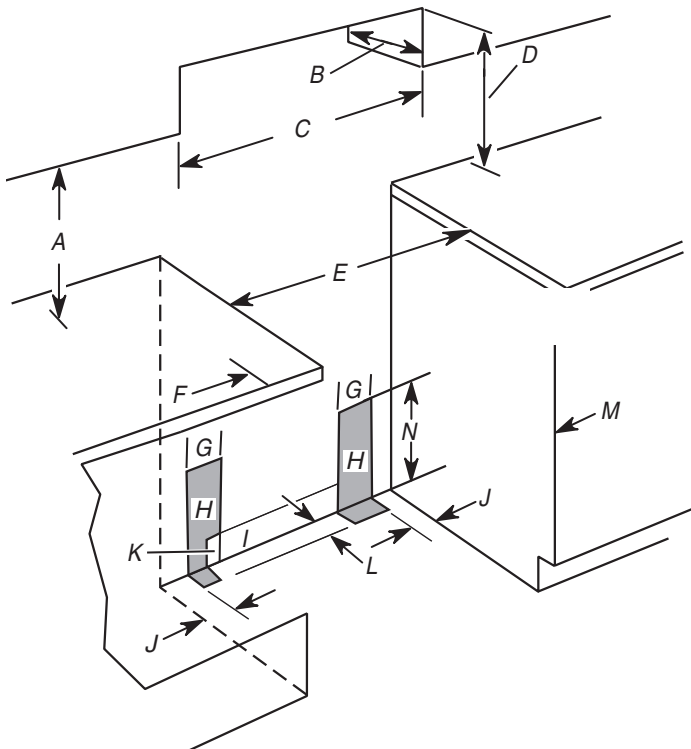
## PRODUCT DIMENSIONS



- A. 28½" (72.4 cm) to 29" (73.7 cm) depth with handle to backguard standoffs.  
29" (73.7 cm) depth with handle (KitchenAid models only)
- B. 35⅝" (90.5 cm) cooktop height (maximum) with leveling legs screwed all the way in\*
- C. 47⅞" (119.7 cm) overall height (maximum) with leveling legs screwed all the way in\*
- D. 29⅞" (75.9 cm) width
- E. 26¾" (67.9 cm) depth to background standoffs
- F. Model/serial number plate (located behind the storage drawer on the left-hand side of the oven frame)
- G. Rating number plate (located behind the storage drawer on the right-hand side of the oven frame)

\*Range can be raised approximately 1" (2.5 cm) by adjusting the leveling legs.

## CABINET OPENING DIMENSIONS



Cabinet opening dimensions shown are for 25" (64.0 cm) countertop depth, 24" (61.0 cm) base cabinet depth and 36" (91.4 cm) countertop height.

**IMPORTANT:** If installing a range hood or microwave hood combination above the range, follow the range hood or microwave hood combination installation instructions for dimensional clearances above the cooktop surface.

Range may be installed with zero clearance to combustible construction at the rear and on the sides below the cooktop.

- A. 18" (45.7 cm) upper cabinet to countertop
- B. 13" (33.0 cm) upper cabinet depth
- C. 30" (76.2 cm) min. opening width
- D. For minimum clearance to the top of the cooktop, see NOTE.
- E. 30 ⅞" (76.5 cm) min. opening width
- F. 3" (7.6 cm) min. clearance from both sides of the range to the side wall or other combustible material
- G. 6" (15.2 cm) width of H (area for gas and electric)
- H. Recommended area for gas and electric installation
- I. 6" (15.2 cm) height of notched area in H
- J. 3 ⅜" (8.4 cm) distance from side of range to H
- K. 3" (7.6 cm) width of notched area in H
- L. 3" (7.6 cm) distance from wall
- M. Cabinet door or hinges should not extend into the cutout.
- N. 19" (48.3 cm) height of H

**NOTE:** 24" (61.0 cm) minimum when bottom of wood or metal cabinet is covered by not less than ¼" (0.64 cm) flame retardant millboard covered with not less than No. 28 MSG sheet steel, 0.015" (0.4 mm) stainless steel, 0.024" (0.6 mm) aluminum or 0.020" (0.5 mm) copper.

30" (76.2 cm) minimum clearance between the top of the cooking platform and the bottom of an uncovered wood or metal cabinet.