



# **3600V-Series Vise “Manual” Base Assembly**

**3600V - Forward**

**3610V - Reverse**

**3620V - Forward, Short**

**3630V - Reverse, Short**

Operating Instructions Manual

Manual de instrucciones de operación



ENGLISH

ESPAÑOL

# Table of Contents

Introduction .....	3
Setup Instructions.....	4
Operating Instructions .....	5-7
3600V Parts List.....	8
3600V Mechanical Drawing.....	9
3610V Parts List.....	10
3610V Mechanical Drawing.....	11
3620V Parts List.....	12
3620V Mechanical Drawing.....	13
3630V Parts List.....	14
3630V Mechanical Drawing.....	15
For Unit Valve.....	18
Maintenance Schedule.....	16-19
Troubleshooting Tips .....	20



**CAUTION:**

Is used when your action or lack of action may cause serious injury.

## Vise Data

Use this to fill out information about your vise for quick reference.

Purchase Date: \_\_\_\_\_ - \_\_\_\_\_ - \_\_\_\_\_

Purchase Order: \_\_\_\_\_

Purchased From: \_\_\_\_\_

Delivery Date: \_\_\_\_\_

Serial No.: \_\_\_\_\_

**Note:**

Make sure to register your warranty online at [kurtworkholding.com](http://kurtworkholding.com)

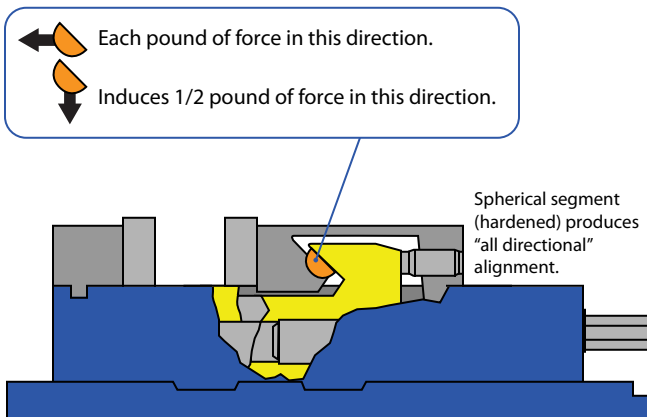
# Introduction

Thank you for purchasing a Kurt vise. You have just purchased one of the best machine vises in the industry. The Versatile Lock 3600-Series AngLock vise has a time proven design. The outstanding accuracy of this product is second to none. Backed by a lifetime warranty, this product will last forever when used and maintained properly.

The original Kurt Anglock vises are designed for precision clamping. The "Pull-type" action of the 3600 Versatile Lock design reduces jaw stationary deflection by at least 80%. This vise has a one-piece body and stationary jaw design which reduce weight and increases strength while providing .0005 clamping repeatability. It offers ultra-high precision through many important features. Features include: Ground sides that allow side mounting, upright and back to back mounting, using the body through holes allows side by side mounting.

With twelve different models ranging from standard lengths to short lengths, forward to reverse and hydraulic to air this series of vises are truly versatile. The short reverse configuration has the added benefit of easier programming by reducing the "reach-over" distance in the "Y" axis. This makes it safer and easier for the operator.

The patented Anglock design allows the movable jaw to advance in such a way that each pound of force forward induces a 1/2 pound force downward which minimizes the jaw lift and increases accuracy. This combined with the needle bearings increases jaw clamping pressure. Other features include: 80,000 psi ductile iron body, hardened vise bed & jaw plates, semi-hard steel screw.



## Set-up Instructions

Now that you have your new Kurt 3600-Series vise, it's time to set-up and begin using it. You will see that your new vise comes with a Kurt swivel handle, two chip guards (short & long) and an instruction manual along with the O-ring installation guide supplied in the shipping carton. The chip guard rests between the ways of the vise and can be trimmed to size to help keep the chips out of the screw. The handle is specifically designed to provide maximum torque to your vise. Your vise should be mounted to a clean flat surface. The surface and the vise must be free of any chips, dirt or debris of any kind. The mounting surface can be honed if necessary. Clean the bottom of the vise with solvent or other cleaner if needed. Air activated vises require shop air power. Air filter/lubricator required.

To minimize vise bed deflection, clamp your Kurt vise to your machine table, pallet, or sub-plate using the built-in clamping slots provided. To access the through holes, simply pick the edge of the protective cap up and expose the C' bored hole. Replace the cap after you have mounted the vise to keep debris out of the holes. If you are mounting the vise on it's side or back to back, other clamping methods may be required.

Additional clamping can be used, but may not be necessary. Please be sure to exercise good judgment when securing your vise to the mounting surface. Be sure your vise is secured and will not move when applying the machine pressure.

## Manual Vise Clamping Force

Torgue Ft.-Lbs.	Manual Series
10	653
20	1743
30	2234
40	3015
50	3833
60	4438
70	5528
80	6356

## Operating Instructions

For proper vise operation insert the handle on to the hex end of the vise. Rotate clockwise to clamp and counterclockwise to unclamp your vise. This handle combined with the correct amount of torque will provide you with all the clamping force you will need to machine your parts. A high quality calibrated torque wrench can be used if needed. **DO NOT** use any other type of pressure to open or close your vise.

**The uses of handle extensions, air impact wrenches, breaker bars or hammer strikes are not recommended and will void the warranty if used.** This will also cause damage to the thrust bearing and screw threads. If you need more clamping force you may need to upgrade the vise to a larger one.

To properly clamp a part in your Kurt vise you should place the part in the center of the jaws resting on the ways of the vise. Clamping only on one side or above the movable and stationary jaws can result in jaw lift or loss of accuracy. *(See Fig. 1 on next page)*

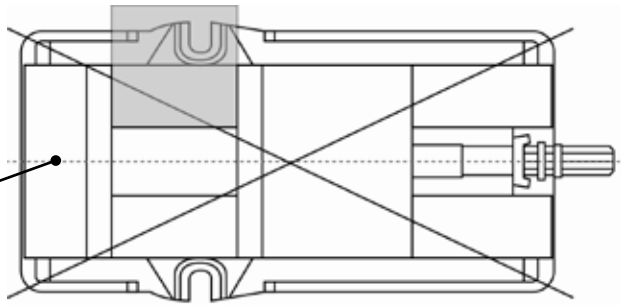
If one-sided clamping is necessary you **MUST** use a dummy part on the other side. When using parallels or step jaws you must select a size that keeps the bottom of the clamped part at or below the top of the movable and stationary jaws. Always use jaw plates for clamping. If jaw plates are not used damage to the mounting surface of the movable and stationary jaw will occur. This will result in reduced clamping accuracy and repeatability.

Fig.1

**Sketch #2A**

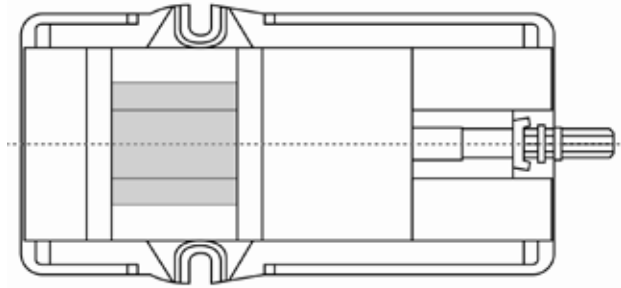
Incorrect part clamping.

Vise width centerline



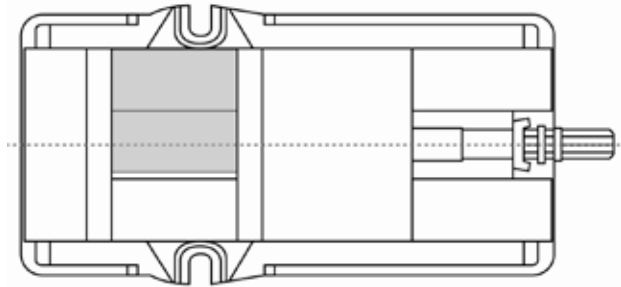
**Sketch #2B**

Correct part clamping.



**Sketch #2C**

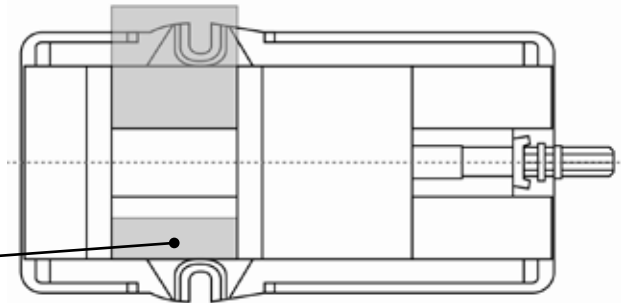
Correct part clamping.



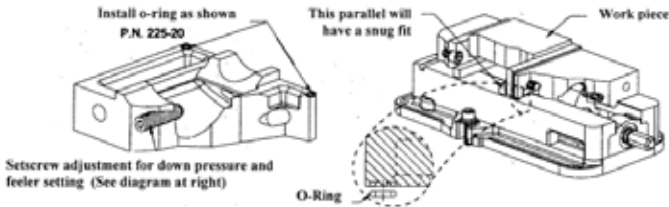
**Sketch #2D**

Correct part clamping.

Non-machined spacer



## Proper O-Ring installation and usage

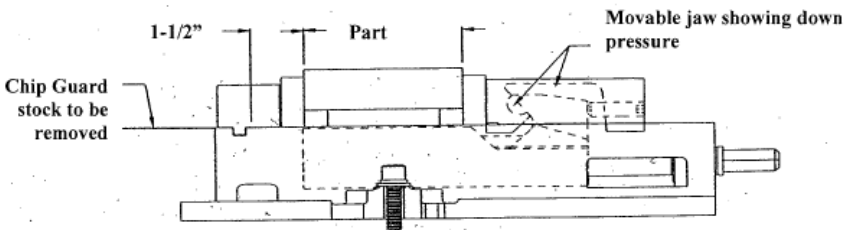


Most jobs require a tight contact between the workpiece and the parallels (see above). This option offered by Kurt Manufacturing Company is ideal for that. The O-Ring installation will provide for the movement needed when working with parallels.

**Note:** We do not recommend using this option with step jaws.

**Installation:** Install the O-Ring in the movable jaw as shown above in two places. Tighten the adjustment set screw for a .002" space under the front face of the movable jaw, then the jaw will tighten down during clamping and provide down movement, pulling the part onto the supporting parallel.

## Proper Chip Guard installation and usage



### CAUTION:

Chip Guard stock shown above is provided to keep chips from the nut and screw assembly and must be cut and deburred to meet your application and safety needs.

\*This Chip Guard stock should be cutoff to fill the opening between jaw plates.

**Example:** Part plus 1 1/2 inches = Length of Chip Guard stock.

**Note:** Remove Chip Guard stock to lift vise. Corners of Chip Guard stock if left extended as shown above could cause injury.

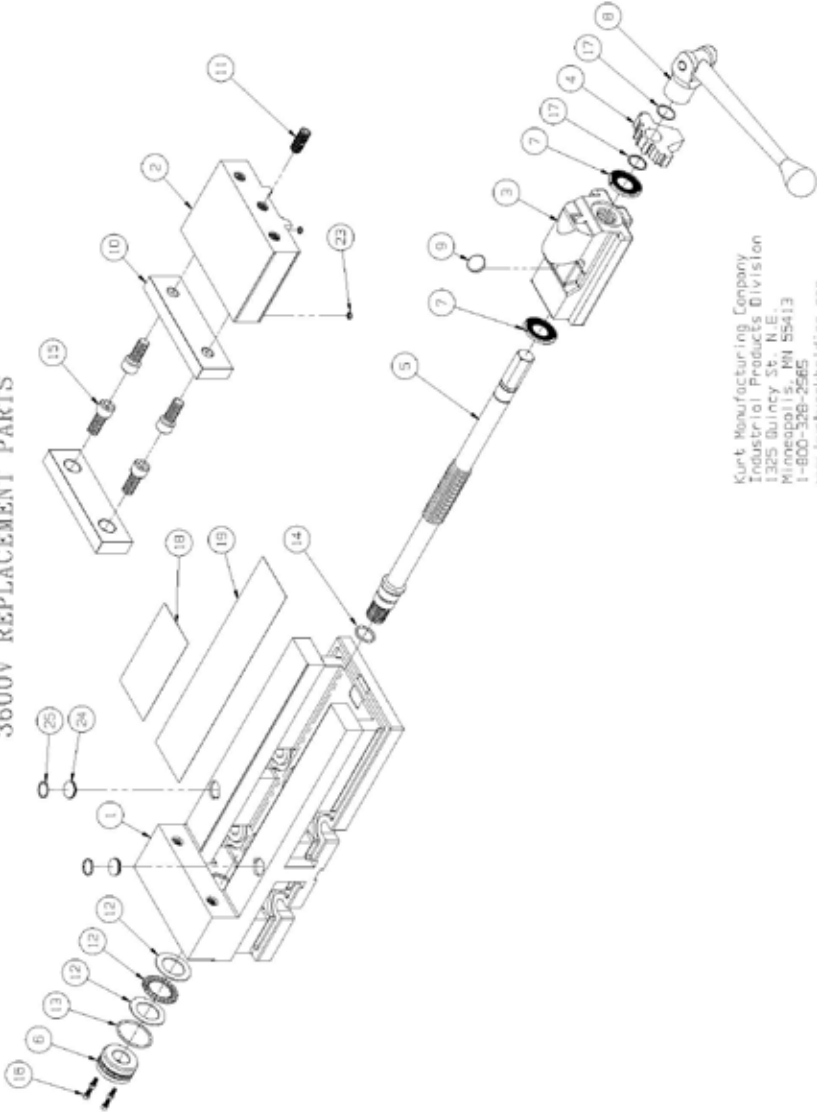
# 3600V Parts List

ITEM#	PART #	DESCRIPTION	QTY.
1	3600V-1	Body, Machined, Versalock	1
2	3600V-2	Movable Jaw	1
3	3600V-3	Machined Nut	1
4	3600V-224B	Screw Support	1
5	3600V-5-P	Screw	1
6	3600V-8-P	Retaining Nut, Two Piece	1
7	3600V-211	Internal Brush Seal	2
8	D60I-10-SA	Handle Assembly	1
9	D60-9	Seg,emt	1
10	D60-7	Jaw Plate, Purchased	2
11	3600V-11A	Socket Set Screw, 1/2-13	1
12	3600V72	Thrust Bearing Assembly	2
13	3600V-128	O-Ring, Buna N, #129	1
14	3600V-99	O-Ring, Buna N, #117	1
15	00-1419	Screw, SHCS, 1/2-13 x 1-1/4	4
16	00-1191	Screw. SHCS, #8-32 x 3/8	4
17	3600V-147	Spiral Retaining Ring	2
18	3600V-248	Chip Guard, Short	1
19	3600V-249	Chip Guard, Long	1
20	3600V-102A	Tag, Model/Serial Number	1
21	07-0230	Screw, Drive #2 x .25	2
22	3600V-111	Kurt Logo Tag	2
23	225-20	O-Ring, Polyurethane #008	2
24	3600V-191	Protective Plug	2
25	DLU4-96	O-Ring #016	2
ITEMS 20-22 ARE NOT SHOWN ON DRAWING			



# 3600V Mechanical Drawing

## 3600V REPLACEMENT PARTS

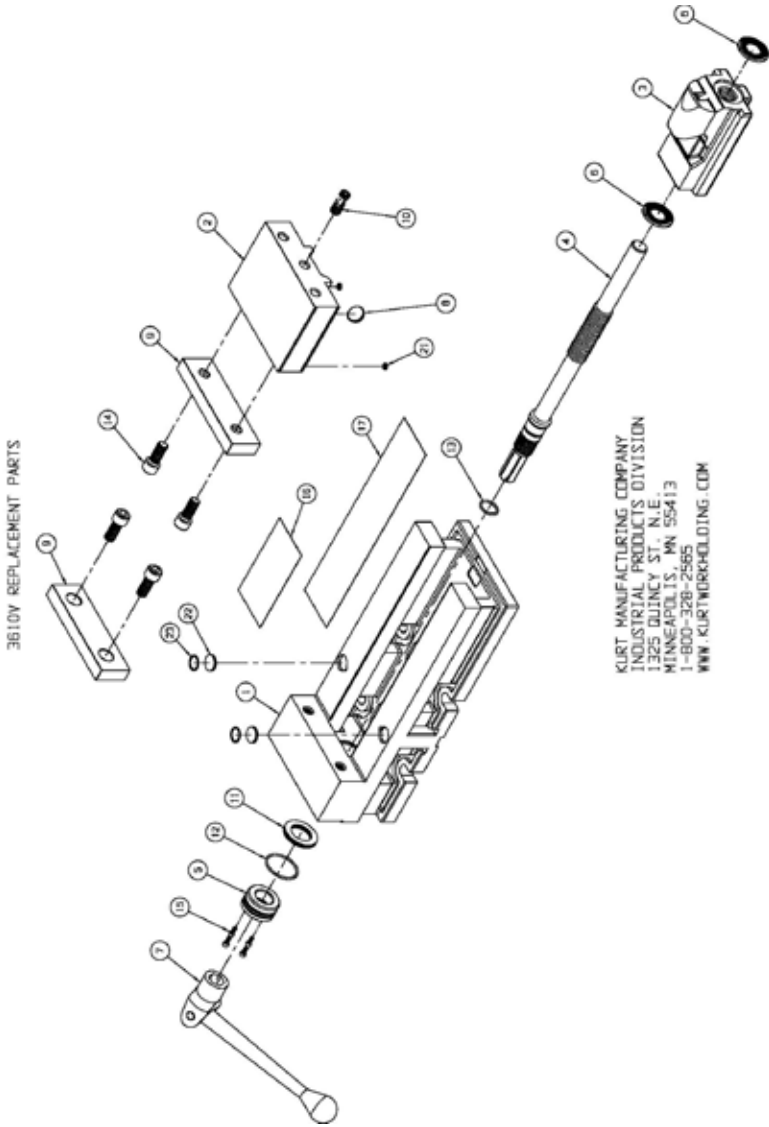


Kurt Manufacturing Company  
Industrial Products Division  
1325 Buincy St. N.E.  
Minneapolis, MN 55413  
1-800-328-2565  
www.kurtworkingholding.com

# 3610V Parts List

ITEM#	PART #	DESCRIPTION	QTY.
1	3600V-1	Body, Machined	1
2	3600V-2	Movable Jaw	1
3	3610V-3	Machined Nut	1
4	3610V-5	Screw (Reverse)	1
5	3610V-8	Retaining Nut (2 Piece)	1
6	3600V-211	Brush Wiper	2
7	D60I-10-SA	Handle	1
8	D60-9	Segment	1
9	D60-7	Jaw Plate	2
10	3600V-11A	Socket Set Screw, 1/2-13	1
11	3600V-72	Thrust Bearing Assembly	1
12	3600V-128	O-Ring, Buna N, #129	1
13	3600V-99	O-Ring, Buna N #117	1
14	00-1419	Screw, SHCS, 1/2-13 x 1-1/4	4
15	00-1191	Screw. SHCS, #8-32 x 3/8	4
16	3600V-248	Chip Guard, Short	1
17	3600V-249	Chip Guard, Long	1
18	3610V-102A	Model Serial/Number Tag	1
19	07-0230	Screw, Drive, #2 x .25	2
20	3600V-111	Kurt Logo Tag	2
21	225-20	O-Ring, Polyurethane #008	2
22	3600V-191	Protective Plug	2
23	DLU4-96	O-Ring, #016	2
ITEMS 18-20 ARE NOT SHOWN ON DRAWING			

# 3610V Mechanical Drawing

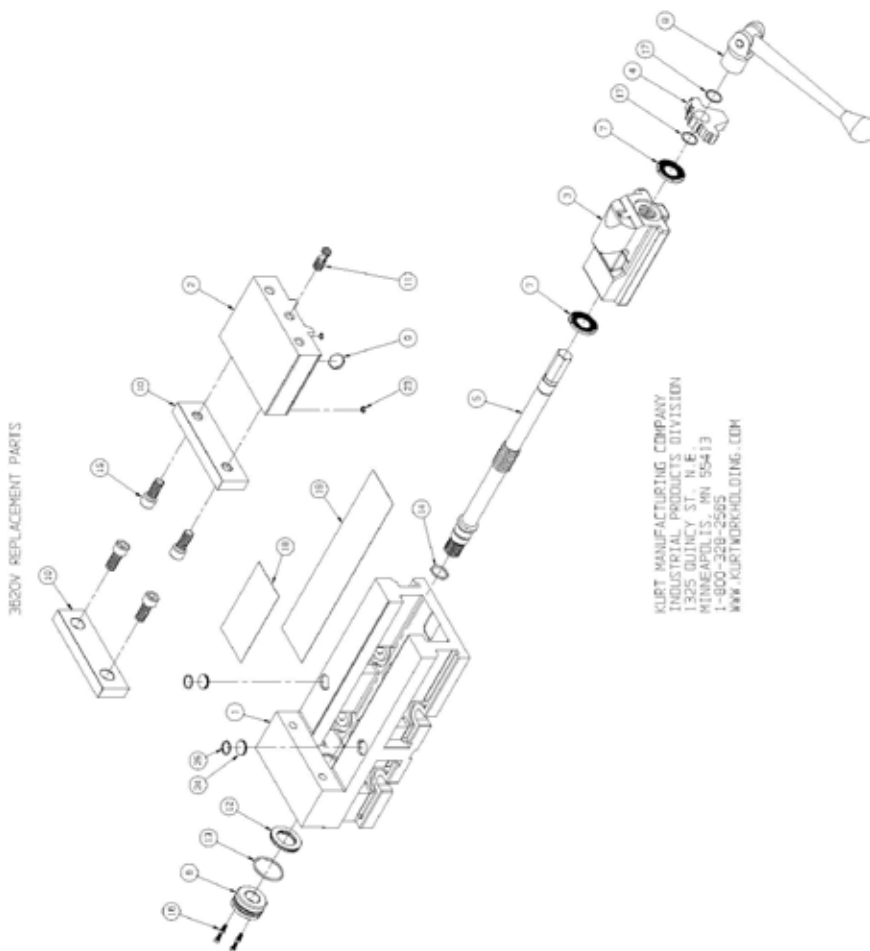


KURT MANUFACTURING COMPANY  
INDUSTRIAL PRODUCTS DIVISION  
1325 QUINCY ST., N.E.  
MINNEAPOLIS, MN 55413  
1-800-328-2565  
WWW.KURTWORKHOLDING.COM

# 3620V Parts List

ITEM#	PART #	DESCRIPTION	QTY.
1	3600V-1	Body, Machined, Versalock	1
2	3600V-2	Movable Jaw	1
3	3600V-3	Machined Nut	1
4	3600V-224B	Screw Support	1
5	3600V-5-P	Screw	1
6	3600V-8-P	Retaining Nut, Two Piece	1
7	3600V-211	Internal Brush Seal	2
8	D60I-10-SA	Handle Assembly	1
9	D60-9	Segment	1
10	D60-7	Jaw Plate, Purchased	2
11	3600V-11A	Socket Set Screw, 1/2-13	1
12	3600V-72	Thrust Bearing Assembly	1
13	3600V-128	O-Ring Buna N, #129	1
14	3600V-99	O-Ring Buna N, #117	1
15	00-1419	Screw, SHCS, 1/2-13 x 1-1/4	4
16	00-1191	Screw, SHCS, #8-32 x 3/8	4
17	3600V-147	Spiral Retaining Ring	2
18	3600V-248	Chip Guard, Short	1
19	3600V-249	Chip Guard, Long	1
21	07-0230	Screw, Drive, #2 x .25	2
23	225-20	O-Ring, Polyurethane #008	2
24	3600V-191	Protective Plug	2
25	DLU4-96	O-Ring, #016	2

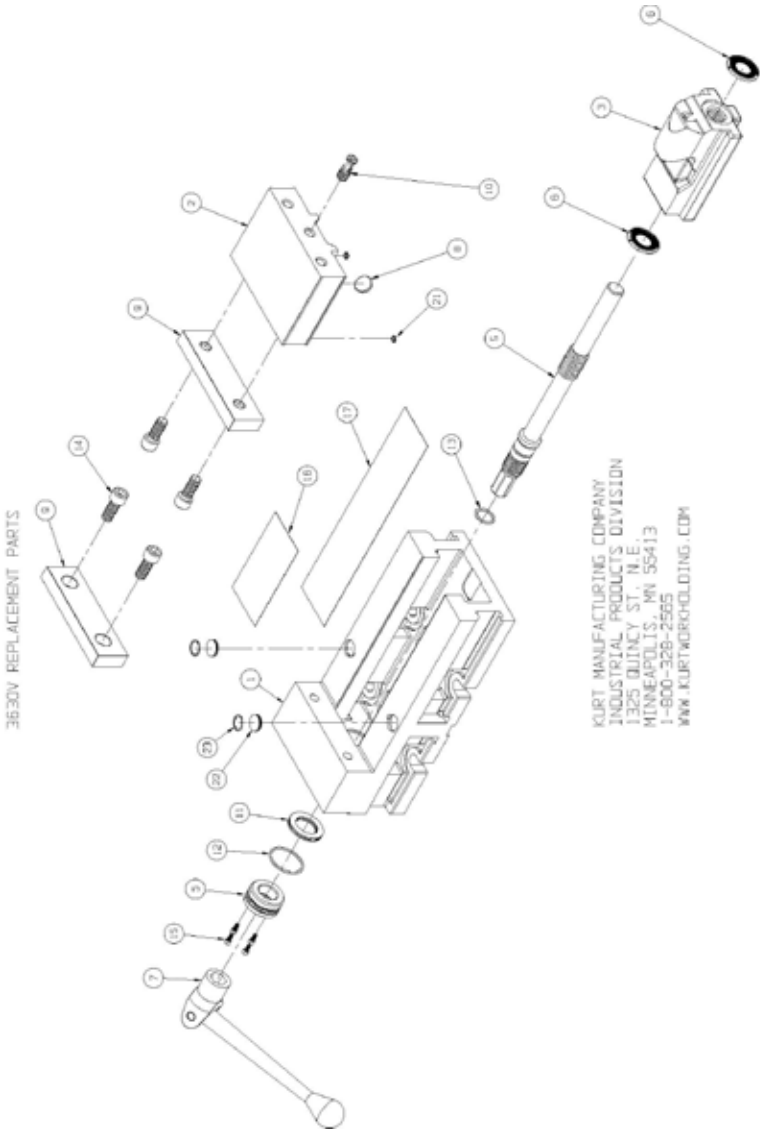
# 3620V Mechanical Drawing



# 3630V Parts List

ITEM#	PART #	DESCRIPTION	QTY.
1	3600V-1	Body, Machined	1
2	3600V-2	Movable Jaw	1
3	3610V-3	Machined Nut	1
4	3630V-5	Screw (Reverse)	1
5	3610V-8	Retaining Nut (2 Piece)	1
6	3600V-211	Brush Wiper	2
7	D60I-10-SA	Handle	1
8	D60-9	Segment	1
9	D60-7	Jaw Plate	2
10	3600V-11A	Socket Set Screw, 1/2-13	1
11	3600V-72	Thrust Bearing Assembly	1
12	3600V-128	O-Ring, Buna N, #129	1
13	3600V-99	O-Ring, Buna N #117	1
14	00-1419	Screw, SHCS, 1/2-13 x 1-1/4	4
15	00-1191	Screw. SHCS, #8-32 x 3/8	4
16	3600V-248	Chip Guard, Short	1
17	3600V-249	Chip Guard, Long	1
18	3630V-102A	Model Serial/Number Tag	1
19	07-0230	Screw, Drive, #2 x .25	2
20	3630V-111	Kurt Logo Tag	2
21	225-20	O-Ring, Polyurethane #008	2
22	3600V-191	Protective Plug	2
23	DLU4-96	O-Ring, #016	2
ITEMS 18-20 ARE NOT SHOWN ON DRAWING			

# 3630V Mechanical Drawing



KURT MANUFACTURING COMPANY  
INDUSTRIAL PRODUCTS DIVISION  
1325 QUINCY ST., N.E.  
MINNEAPOLIS, MN 55413  
1-800-328-2565  
WWW.KURTWORKHOLDING.COM

# Maintenance Schedule

It is very important to perform regularly maintenance on your Kurt vise to assure proper operation. Improper maintenance will result in poor vise performance and may void your warranty.

## Daily/ Weekly

1. Remove chips from surface of vise.
2. Visually inspect for chips, seals for damage and cleanliness.
3. Visually inspect for chip entrapments and remove when necessary.
4. Air-dry and apply rust inhibiting oil to the machined surface of the vise.

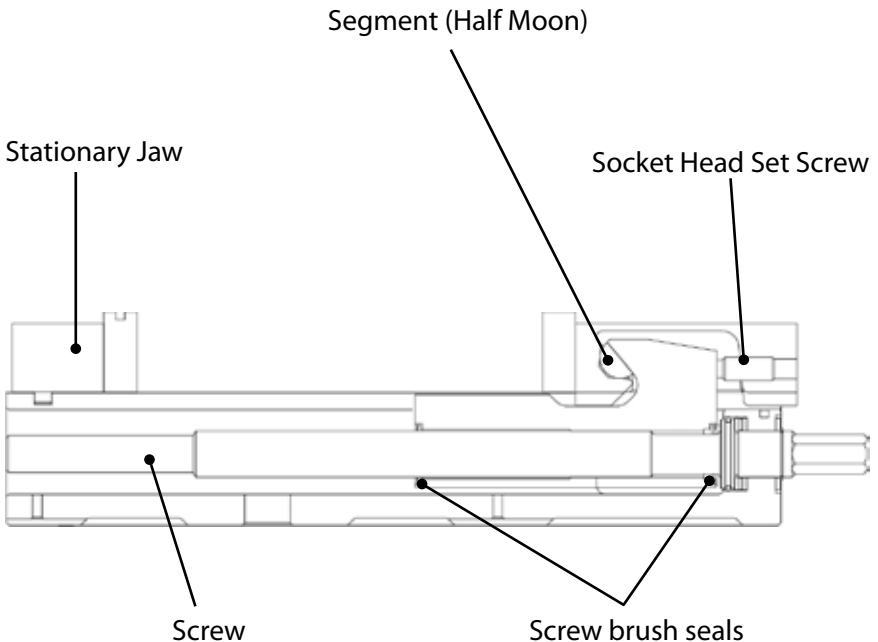
## Monthly

1. Open the vise to the maximum opening.
2. In the back of the movable jaw (handle end, center hole) loosen the socket head set screw (approx. 6 turns) With the hex key (Allen wrench) in the set-screw socket lift up and forward to pivot the Jaw off of the vise bed.
3. Slide the Jaw slightly toward the stationary jaw and lift up to remove the jaw from the "hook" of the nut. Note: A spherical segment (shaped as  $\frac{1}{2}$  of a steel ball) is inside the cavity of the movable jaw and may fall out as the jaw is removed. Take care not to lose or misplace the spherical segment.
4. Turn the movable jaw over and clean the inside cavity. Also clean the spherical segment.
5. Remove chips, clean and apply a light coat of machine oil to the machined surface of the following item:
  - a. Nut & Screw assembly (clean exposed threads on the screw)
  - b. Bed of vise (top of "rails")
  - c. Inside of the vise between the center ways.
6. To re-assemble the movable jaw, apply a "glob" of grease to the under side of the movable jaw in the pocket. Place the spherical segment in the mating pocket and push into the grease. The grease will hold the segment in place when the jaw is turned over to replace.
7. Tip the jaw so the front of the jaw (the side with the jaw plate) is on the vise bed. Lower the jaw on to the bed so that the segment contact the hook part of the nut and rest the jaw on to the vise bed.



8. Tighten the setscrew to firmly contact the nut. Back off the setscrew  $\frac{1}{4}$  turn (approx.) note: DO NOT leave the setscrew tightened firmly to the nut as this may cause improper operation. The movable jaw is designed to move slightly (pivot side to side) so maximum jaw plate contact is maintained when clamping out-of-parallel, sawed, or cast parts.
9. Your vise is now ready for use. Open and close your vise to check for proper operation. Center the part to be clamped in the vise and close. Your parts should be centered from side to side to insure proper clamping. (See Fig. 5 below)

Fig.5



### 3 to 6 months

1. Open vise to maximum opening.
2. Loosen and remove the movable jaw.
3. Remove spiral-retaining ring from handle end of the vise screw.
4. Remove the screw support from the vise body.
5. Remove the two-piece locking collar by removing the four SHCS.
6. With one screw still half way out spin off the first collar.
7. Using a pin or screw reach into the second collar and spin it off exposing the bearings.
8. Remove the thrust bearing assembly consisting of (2) thrust washers and (1) thrust bearing from the counter bore in the end of the body.
9. Clean and inspect the counter bore, thrust washers and thrust bearing.
10. Apply water resistant grease to the thrust washer (i.e. Kurt lube p/n KLA or marine grade grease)
11. Install thrust bearing assembly on the screw in the reverse manner.
12. Install the first collar by spinning on the screw until it stops.  
*(Items 12-14 — See Fig. 6)*
13. Install the second collar behind the first and spin on until it stops.  
At this point the screw holes may or may not be lined up.
14. Turn the second collar counterclockwise until a hole lines up.
15. Then turn the collar back TWO (2) more screw holes. This will allow proper distance for the collar to lock on the threads and keep the bearings firmly in place. *(Items 15-16 — See Fig. 7)*
16. Install the four SHCS and make tight.
17. Install the screw support in the body on the screw (Hex end).
18. Your vise is now ready to use.

Fig.6

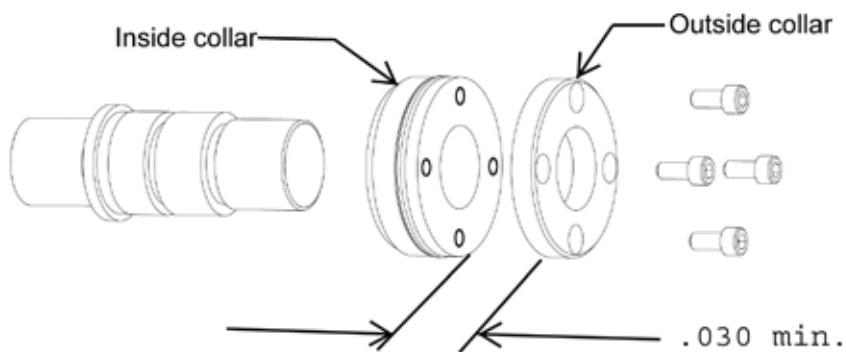
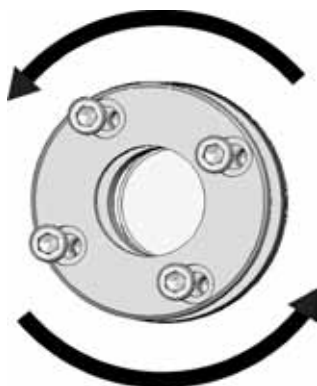


Fig.7



## Troubleshooting Tips

The Kurt 3600-Series vise will operate mostly trouble free for many years. If properly maintained, this product is indestructible. In some cases it will be necessary to troubleshoot. Use the information below to help in the process.

**Problem:** My vise turns hard.

**Tip:** As a new vise the brush seal could be stiff. Allow for break in of vise.

**Tip:** As a used vise, it could be filed with chips and threads could be jammed. Properly clean and grease vise.

**Problem:** The collar comes off.

**Tip:** Retighten the four SHCS that hold it on. Proper adjustments need to be made. See the 3-6 month maintenance schedule.

**Problem:** The handle support is loose or comes off.

**Tip:** You may need a new retaining ring. This support will float, this is normal. Install a new snap ring if needed.

**Problem:** My vise will not turn in either direction.

**Tip:** The vise is jammed with debris. Disassemble and clean as needed.

**Problem:** My vise won't hold tolerance.

**Tip:** You may be experiencing jaw lift from clamping too high or on one side of the jaw. Lower the part in the vise jaw and clamp more material.

**Problem:** My vise won't clamp pneumatically.

**Tip:** Check pressure setting and valve position.







**Thank you for your purchase!  
If you have any feedback or questions.**

**Please contact us at:  
workholding@kurt.com  
or  
1-877-226-7823**

**Like, Tweet, and Subscribe to us!**





**LIFETIME WARRANTY**

**IRON CLAD™**

## On All Kurt® AngLock® Workholding Products

All Kurt Manufacturing Company industrial workholding products and parts with the exceptions noted below, are warranted against defects in material and workmanship for the life of the product or part. (The life of the product is defined as that point in time when such item no longer functions due to normal wear and tear.) Failure to properly maintain and/or properly operate the product or part that has been worn out, abused heated ground or otherwise altered, used for a purpose other than that for which it was intended, or used in a manner inconsistent with any instructions regarding its use. The sole obligation of Kurt Manufacturing Company, Inc. (Kurt) and the purchaser's SOLE AND EXCLUSIVE REMEDY hereunder, shall be limited to the replacement or repair of any Kurt product or part (by an authorized Kurt technician) which are returned to Kurt Manufacturing Company's place of business, transportation, shipping and postal charges prepaid, and there determined by Kurt Manufacturing Company to be covered by the warranty contained herein.

THE LIMITED WARRANTY DESCRIBED HEREIN IS MADE EXPRESSLY IN LIEU OF ANY OTHER EXPRESSED OR IMPLIED WARRANTIES, INCLUDING ANY IMPLIED WARRANTY OF MERCHANTABILITY OR FITNESS FOR A PARTICULAR PURPOSE. KURT MANUFACTURING COMPANY IS NOT RESPONSIBLE FOR THE IMPROPER USE OF ITS PRODUCTS. KURT SHALL NOT BE LIABLE FOR ANY DIRECT, INDIRECT, INCIDENTAL SPECIAL OR CONSEQUENTIAL DAMAGES, INCLUDING BUT NOT LIMITED TO, LOSS OF USE, REVENUE OR PROFIT.

KURT ASSUMES NO LIABILITY FOR, AND MAKES NO WARRANTY REGARDING ANY PURCHASE ITEMS WHERE THE MANUFACTURER OF SUCH ITEM EXTENDS A SEPARATE WARRANTY.



9445 East River Road NW  
Minneapolis, MN 55433

Phone: 877-226-7823  
Fax: 877-226-7828

[kurtworkholding.com](http://kurtworkholding.com)

Manual Revision: 02.16.2012





# **Prensa Serie 3600V Ensamble de base “manual”**

Manual de instrucciones de operación



## Tabla de contenidos

Introducción.....	27
Instrucciones de instalación .....	28
Instrucciones de operación .....	29-31
3600V Lista De Piezas.....	32
3600V Mechanical Drawing.....	33
3610V Lista De Piezas.....	34
3610V Mechanical Drawing.....	35
3620V Lista De Piezas.....	36
3620V Mechanical Drawing.....	37
3630V Lista De Piezas.....	38
3630V Mechanical Drawing.....	39
Programa de mantenimiento .....	40-43
Sugerencias para la resolución de problemas .....	44



### **PRECAUCIÓN:**

Se utiliza cuando su acción o falta de acción puede causar lesiones graves.

## Vise Datos

Utilice esta opción para rellenar la información sobre el tornillo de banco para referencia rápida

Fecha de compra: \_\_\_\_\_ - \_\_\_\_\_ - \_\_\_\_\_

Orden de compra: \_\_\_\_\_

Adquirido en: \_\_\_\_\_

Fecha de entrega: \_\_\_\_\_

Serial No.: \_\_\_\_\_

### **Note:**

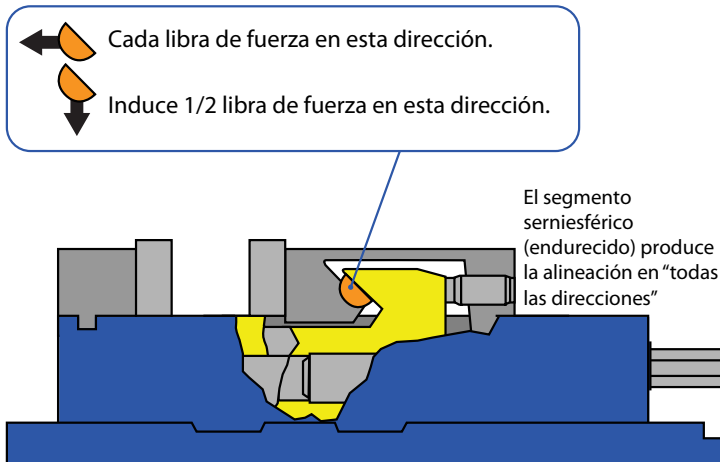
Make sure to register your warranty online at [kurtworkholding.com](http://kurtworkholding.com)

# Introducción

Muchas gracias por comprar una prensa Kurt. Usted ha comprado una de las mejores prensas para mecanizado en la industria. La prensa Versatile Lock 3600-Series AngLock tiene un diseño ampliamente comprobado. La extraordinaria exactitud de este producto es insuperable. Con el respaldo de una garantía de por vida, este producto durará mucho tiempo cuando se lo use y mantenga correctamente.

Las prensas originales Kurt Anglock están diseñadas para el sujetado de precisión. La acción de "tipo tirón" del diseño 3600 Versatile Lock reduce la deformación estacionaria de la mordaza en un 80% cuando menos. Esta prensa posee un cuerpo de una pieza y un diseño de mordaza estacionaria que reduce el peso y aumenta la resistencia a la vez que permite lograr un índice de repetitividad de 0.0005. Esta unidad ofrece ultra alta precisión a través de muchas características importantes entre las que se incluyen: Los lados maquinados permiten el montaje lateral, vertical y el montaje adosado por los extremos, al utilizar los orificios a través del cuerpo de la unidad se puede realizar el montaje adosado lado a lado. Con doce modelos diferentes que incluyen longitudes estándar a cortas, arreglo estándar o en reversa, hidráulicas hasta neumáticas, esta serie de prensas son realmente versátiles. La configuración de reversa corta tiene la ventaja adicional de ser fácilmente programable al reducir la distancia de "alcance" en el eje "Y". Esto lo vuelve más seguro y más fácil de usar para el operador.

El diseño patentado de Anglock permite a la mordaza móvil avanzar de tal manera que cada libra de fuerza de avance induzca 1/2 libra de fuerza hacia abajo a fin de minimizar el levantamiento de la mordaza y aumentar la exactitud. Este efecto combinado con los cojinetes de agujas aumenta la presión de sujeción de la mordaza. Entre otras características se incluyen: Cuerpo de hierro dúctil de 80,000 psi de resistencia, carriles de prensa y placas de mordaza endurecidas, tornillo de avance semiendurecido.



## Instrucciones de instalación

Ahora que ya tiene su nueva prensa Kurt Serie 3600, es el momento de instalarla y comenzar a utilizarla. Usted verá que su nueva prensa viene con una manija giratoria Kurt, dos protectores contra virutas (corto y largo) y un manual de instrucciones junto con la guía de instalación del arosello suministrado en la caja de envío. El protector contra virutas se apoya entre los carriles de la prensa y se puede reducir a la medida adecuada para ayudar a impedir que las virutas caigan en el tornillo. La manija está diseñada específicamente para proporcionar el máximo par de torsión a su prensa. Le recomendamos instalar la prensa sobre una superficie plana y limpia. La superficie y la prensa deben estar exentas de virutas, suciedad o residuos de cualquier tipo. Si es necesario, se puede afinar la superficie de montaje. Si es necesario, limpie con disolvente u otro tipo de limpiador la parte inferior de la prensa. Las prensas accionadas neumáticamente necesitan aire comprimido del taller. Es necesario instalar un filtro de aire/lubricador.

Para reducir al mínimo la deformación por flexión de la plataforma de la prensa, fije la prensa Kurt a la mesa de la máquina, plataforma de carga, o subplaca por medio de las ranuras de sujeción integrales suministradas. Para pasar por los orificios, sencillamente levante el borde de la tapa protectora y exponga el orificio perforado 'C'. Vuelva a colocar la tapa después de montar la prensa para impedir el ingreso de residuos en los orificios. Si desea montar la prensa sobre un costado o adosada fondo contra fondo, quizá sea necesario utilizar otros métodos de sujeción. Se puede utilizar sujeción adicional, pero quizá no sea necesario. Cerciórese de aplicar buen juicio al fijar su prensa a la superficie de montaje. Cerciórese de que su prensa esté firmemente sujeta y que no se moverá al aplicar la presión

## Fuerza de Sujeción de la Prensa

Torque Ft.-Lbs.	Manual Series
10	653
20	1743
30	2234
40	3015
50	3833
60	4438
70	5528
80	6356

## Instrucciones de operación

Para el funcionamiento apropiado de la prensa introduzca el mango en el extremo hexagonal de la prensa. Gírelo a la derecha para apretar y a la izquierda para aflojar la prensa. Esta manija combinada con la cantidad apropiada de par de torsión le proporcionará la fuerza de sujeción necesaria para mecanizar sus piezas de trabajo. NO use ningún otro tipo de presión para abrir o cerrar su prensa.

**No se recomienda el uso de extensiones de manijas, llaves neumáticas de impacto, barras de ruptura ni golpes de martillo ya que su uso anulará la garantía.** Además, esto causará daño al cojinete de empuje y a las roscas del tornillo. Si necesita mayor fuerza de sujeción quizá deba actualizar la prensa y utilizar una de mayor capacidad.

Para sujetar debidamente una pieza en su prensa Kurt le sugerimos colocar la pieza en el centro de las mordazas y apoyarla en los carriles de la prensa. La sujeción cargada en uno solo de los lados o por encima de las mordazas móviles y estacionarias puede resultar en el levantamiento de la mordaza o la pérdida de exactitud. *(Véase la Fig. 1 en la página siguiente).*

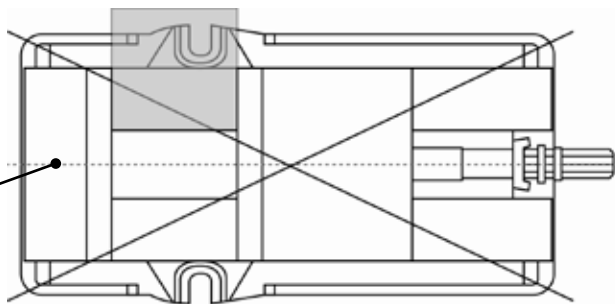
Si fuera necesario sujetar por uno solo de los lados, será **NECESARIO** equilibrar colocando un postizo en el otro lado. Al utilizar mordazas paralelas o escalonadas deberá seleccionar un tamaño que mantenga la parte inferior de la pieza sujeta en o debajo de la parte superior de las mordazas móviles y estacionarias. Siempre use placas de mordaza para la sujeción. Si no se utilizan placas de mordaza ocurrirán daños a la superficie de montaje de las mordazas móviles y estacionarias. Esto resultará en menor exactitud y repetitividad deficiente del prensado.

Fig.1

**Sketch #2A**

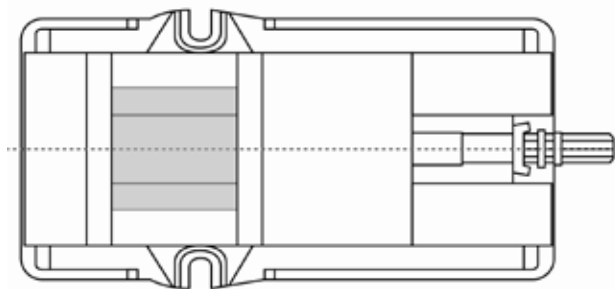
Parte incorrecta de sujeción.

Central de ancho Vise



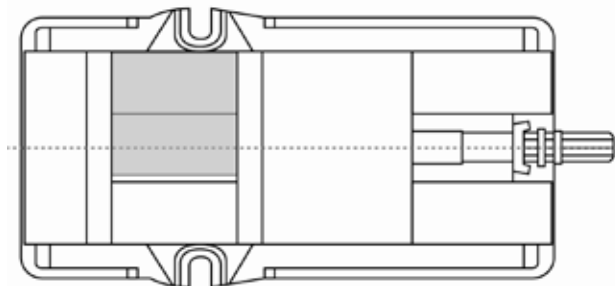
**Sketch #2B**

Parte de amarre.



**Sketch #2C**

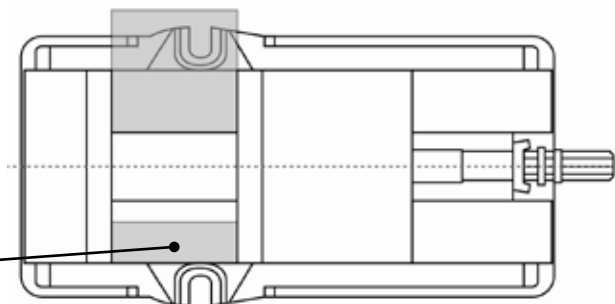
Parte de amarre.



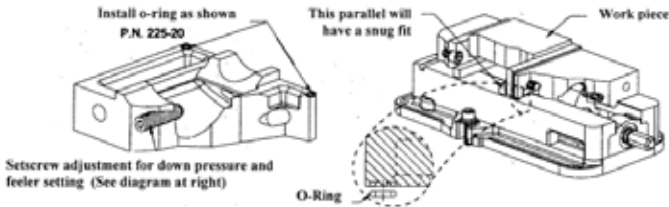
**Sketch #2D**

Parte de amarre.

No mecanizadas espaciador



## Proper O-Ring installation and usage

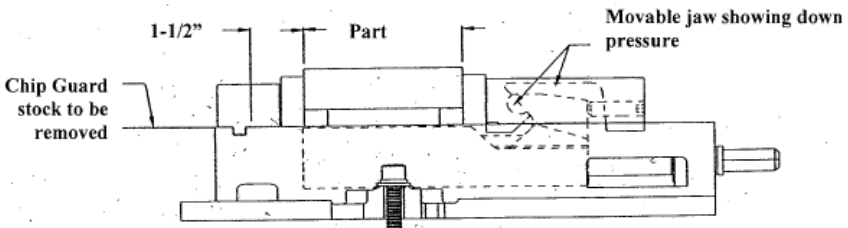


La mayoría de trabajos requieren un contacto ajustado entre las piezas de trabajo y la paralela (véase arriba). Esta opción que ofrece Kurt Manufacturing Company es ideal para ello. La instalación del arosello permitirá el movimiento necesario al trabajar con paralelas.

**Nota:** No recomendamos esta opción para el uso con mordazas escalonadas.

**Instalación:** Instale el arosello en la mordaza móvil según se muestra arriba en dos sitios. Apriete el tornillo de ajuste para un espacio de 0.002" debajo de la superficie frontal de la mordaza móvil, después la mordaza se apretará durante el prensado y proporcionará un movimiento descendente, jalando la pieza hacia la paralela de apoyo. Patente en trámite.

## Proper Chip Guard installation and usage



### Precaución:

El material del protector contra virutas que se muestra arriba se suministra para evitar el contacto de las virutas con el conjunto de tuerca y tornillo y se le deberá cortar y eliminar sus rebabas para cumplir los requisitos de seguridad de su aplicación. Este material del protector contra virutas deberá ser cortado a la medida para rellenar la abertura entre las placas de la mordaza.

**Por ejemplo:** La pieza más 1 1/2 pulgadas = Longitud del material del protector contra Virutas.

**Nota:** Retire el material del protector contra virutas para levantar la prensa. Si las esquinas del material del protector contra virutas se dejan extendidas según se muestran arriba pueden causar lesiones.

# Lista de piezas 3600V

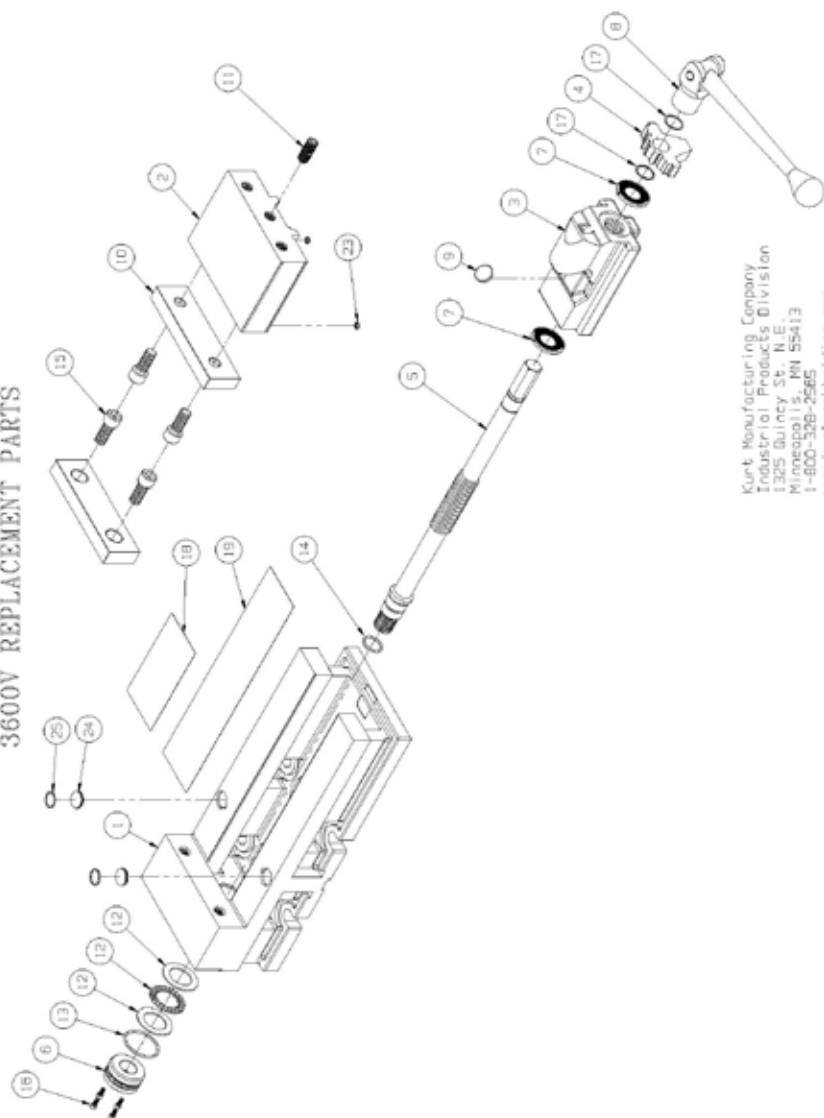
ITEM#	DE PIEZA#	DESCRIPCIÓN	CAN.
1	3600V-1	Cuerpo, Mecanizado, Versalock	1
2	3600V-2	Mordaza Móvil	1
3	3600V-3	Tuercamecanizado	1
4	3600V-224B	Apoyo Del Tornillo	1
5	3600V-5-P	Tornillo	1
6	3600V-8-P	Tuerca Retenedora, Dos Piezas	1
7	3600V-211	Sello De Escobilla Interior	2
8	D60I-10-SA	Conjunto De Manija	1
9	D60-9	Segmento	1
10	D60-7	Placa De Mordaza, Comprada	2
11	3600V-11A	Tornillo De Cabeza Hueca, 1/2-13	1
12	3600V72	Conjunto De Cojinete De Empuje	2
13	3600V-128	Arosello, Buna N, #129	1
14	3600V-99	Arosello, Buna N, #117	1
15	00-1419	Tornillo, SHCS, 1/2-13 x 1-1/4	4
16	00-1191	Tornillo. SHCS, #8-32 x 3/8	4
17	3600V-147	Anillo Renedor En Espiral	2
18	3600V-248	Protector Contra Virutas, Corto	1
19	3600V-249	Protector Contra Virutas, Largo	1
20	3600V-102A	Marbete De Modelo/Numero De Serie	1
21	07-0230	Tornillo Impulsor, #2 x .25	2
22	3600V-111	Marbete Con Logotipo Kurt	2
23	225-20	Arosello De Pliuretano #008	2
24	3600V-191	Tapón Protector	2
25	DLU4-96	Arosello #016	2

LOS ARTICULOS 20 al 22 NO SE MUESTRAN EN EL DIAGRAMA



# Dibujo Mecánico 3600V

## 3600V REPLACEMENT PARTS

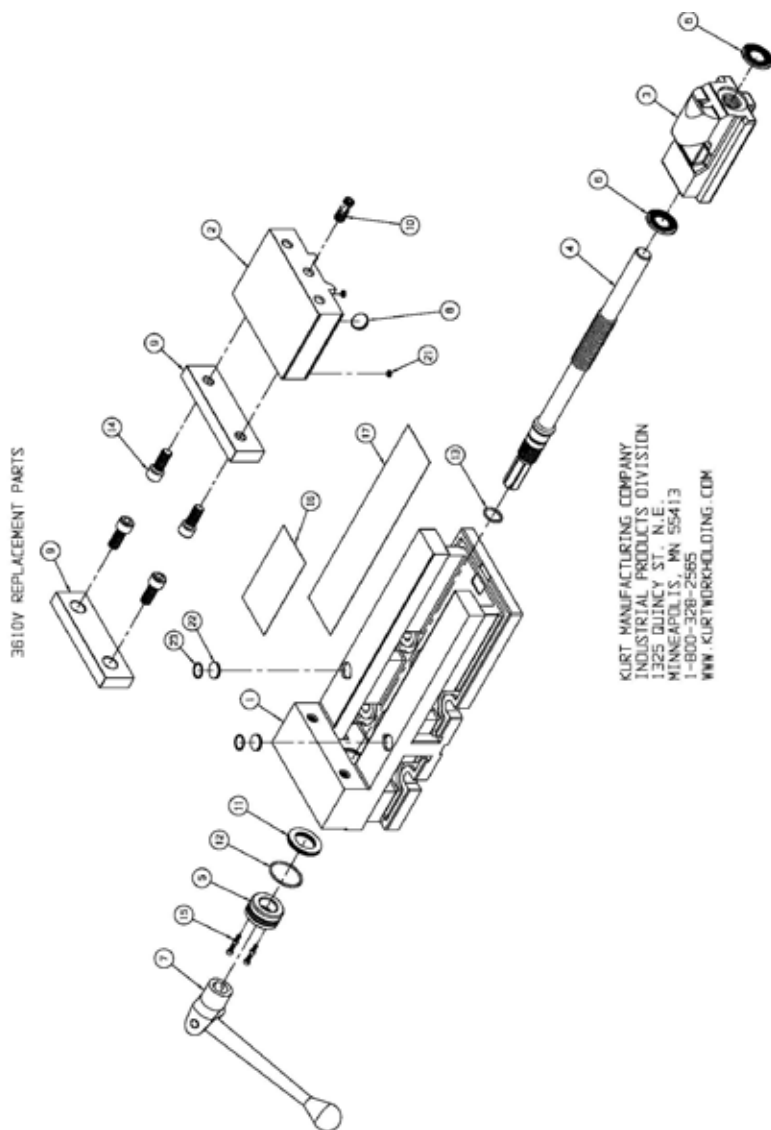


Kurt Manufacturing Company  
Industrial Products Division  
1325 Quincy St., N.E.  
Minneapolis, MN 55413  
1-800-328-2565  
www.kurthardid.com

# Lista de piezas 3610V

ITEM#	DE PIEZA#	DESCRIPCIÓN	CAN.
1	3600V-1	Cuerpo, Mecanizado	1
2	3600V-2	Mordaza Móvil, Mecanizado	1
3	3610V-3	Tuerca Mecanizado	1
4	3610V-5	Tornillo (RETROCESO)	1
5	3610V-8	Tuerca Retenedora (Dos Piezas)	1
6	3600V-211	Limpiador De Escobilla	2
7	D60I-10-SA	Manija	1
8	D60-9	Segmento	1
9	D60-7	Placa De Mordaza	2
10	3600V-11A	Tornillo De Ajuste De Cabeza Hueca, 1/2-13	1
11	3600V-72	Conunto De Cojinete De Empuje	1
12	3600V-128	Arosello, Buna N, #129	1
13	3600V-99	Arosello, Buna N #117	1
14	00-1419	Tornillo, SHCS, 1/2-13 x 1-1/4	4
15	00-1191	Tornillo. SHCS, #8-32 x 3/8	4
16	3600V-248	Protector Contra Virutas, Corto	1
17	3600V-249	Protector Contra Virutas, Largo	1
18	3610V-102A	Marbete De Modelo/Numero De Serie	1
19	07-0230	Tornillo Impulsor, #2 x .25	2
20	3600V-111	Marbete Con Logotipo Kurt	2
21	225-20	Arosello De Poliuretano #008	2
22	3600V-191	Tapon Protector	2
23	DLU4-96	Arosello, #016	2
LOS ARTICULOS 18 al 20 NO SE MUESTRAN EN EL DIAGRAMA			

# Dibujo Mecánico 3610V

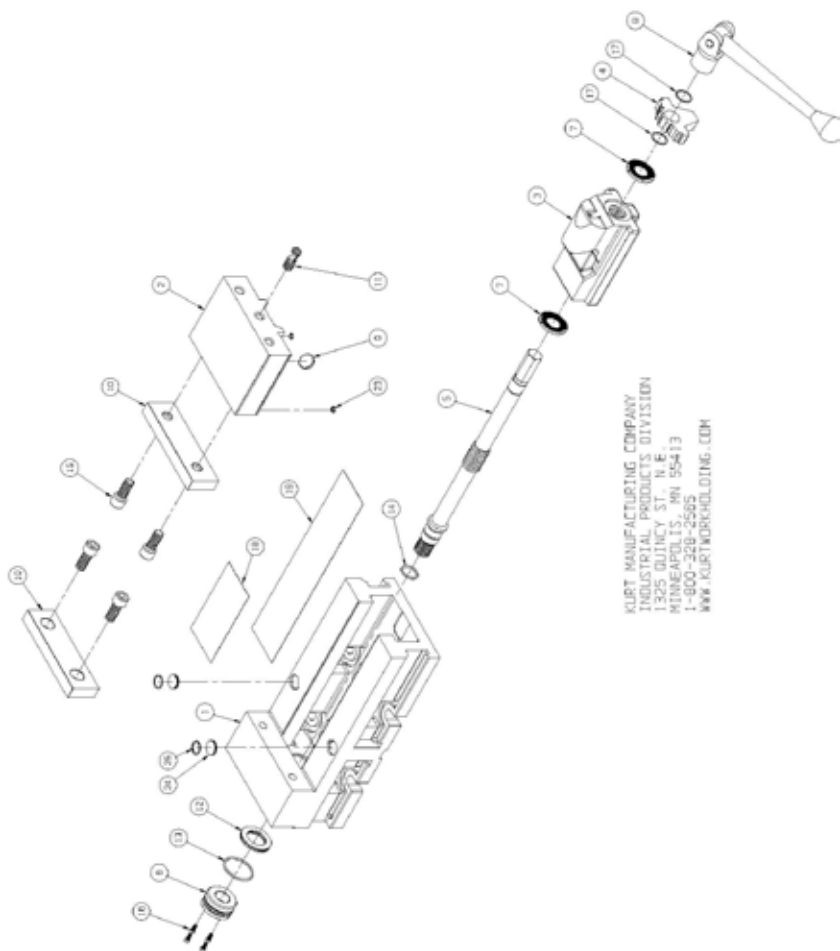


# Lista de piezas 3620V

ITEM#	DE PIEZA#	DESCRIPCIÓN	CAN.
1	3600V-1	Cuerpo, Mecanizado, Versalock	1
2	3600V-2	Mordaza Movil	1
3	3600V-3	Tuerca Mecanizada	1
4	3600V-224B	Apoyo Del Tornillo	1
5	3600V-5-P	Tornillo	1
6	3600V-8-P	Tuerca Retenedora, Dos Piezas	1
7	3600V-211	Sello De Escobilla Interior	2
8	D60I-10-SA	Conjunto De Manija	1
9	D60-9	Segmento	1
10	D60-7	Placa de Mordaza, Comprada	2
11	3600V-11A	Tornillo De Ajuste De Cabeza Hueca	1
12	3600V-72	Conjunto De Cojinete De Empuje	1
13	3600V-128	Arosello, Buna N, #129	1
14	3600V-99	Arosello, Buna N, #117	1
15	00-1419	Tornillo, SHCS, 1/2-13 x 1-1/4	4
16	00-1191	Tornillo, SHCS, #8-32 x 3/8	4
17	3600V-147	Anillo Retenedor En Espiral	2
18	3600V-248	Protector Contra Virutas, Corto	1
19	3600V-249	Protector Contra Virutas, Largo	1
21	07-0230	Tornillo, Impulsor, #2 x .25	2
23	225-20	Arosello De Pliuretano #008	2
24	3600V-191	Tapon Protector	2
25	DLU4-96	Arosello, #016	2

# Dibujo Mecánico 3620V

3620V REPLACEMENT PARTS

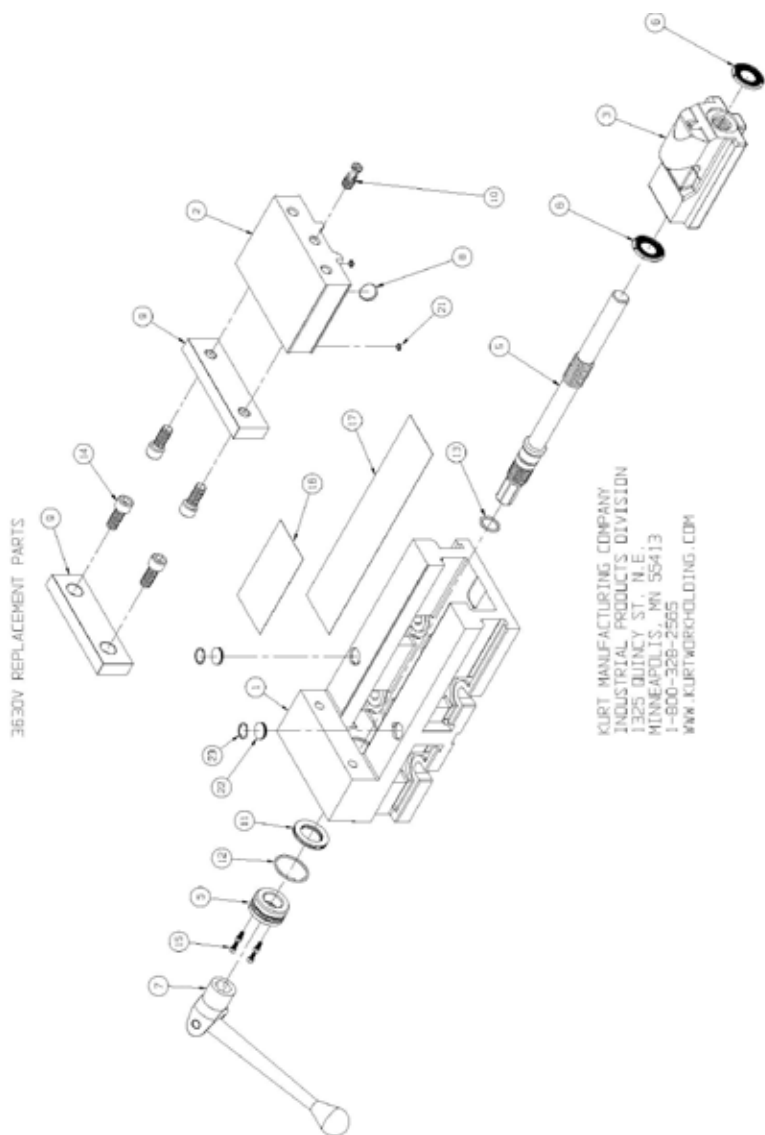


KURT MANUFACTURING COMPANY  
INDUSTRIAL PRODUCTS DIVISION  
1325 QUINCY ST., N.E.  
MINNEAPOLIS, MN 55413  
1-800-328-2585  
WWW.KURTWORKHOLDING.COM

# Lista de piezas 3630V

ITEM#	DE PIEZA#	DESCRIPCIÓN	CAN.
1	3600V-1	Cuerpo, Mecanizado	1
2	3600V-2	Mordaza Móvil, Mecanizado	1
3	3610V-3	Tuerca Mecanizado	1
4	3610V-5	Tornillo (RETROCESO)	1
5	3610V-8	Tuerca Retenedora (Dos Piezas)	1
6	3600V-211	Limpiador De Escobilla	2
7	D60I-10-SA	Manija	1
8	D60-9	Segmento	1
9	D60-7	Placa De Mordaza	2
10	3600V-11A	Tornillo De Ajuste De Cabeza Hueca, 1/2-13	1
11	3600V-72	Conunto De Cojinete De Empuje	1
12	3600V-128	Arosello, Buna N, #129	1
13	3600V-99	Arosello, Buna N #117	1
14	00-1419	Tornillo, SHCS, 1/2-13 x 1-1/4	4
15	00-1191	Tornillo. SHCS, #8-32 x 3/8	4
16	3600V-248	Protector Contra Virutas, Corto	1
17	3600V-249	Protector Contra Virutas, Largo	1
18	3610V-102A	Marbete De Modelo/Numero De Serie	1
19	07-0230	Tornillo Impulsor, #2 x .25	2
20	3600V-111	Marbete Con Logotipo Kurt	2
21	225-20	Arosello De Poliuretano #008	2
22	3600V-191	Tapon Protector	2
23	DLU4-96	Arosello, #016	2
LOS ARTICULOS 18 al 20 NO SE MUESTRAN EN EL DIAGRAMA			

# Dibujo Mecánico 3630V



## Programa de mantenimiento

Para asegurar el funcionamiento correcto, es de suma importancia realizar el mantenimiento regular en su prensa Kurt. El mantenimiento erróneo resultará en el desempeño deficiente de la prensa y puede anular su garantía.

### Diariamente / Semanalmente

1. Retire las virutas de la superficie de la prensa.
2. Inspeccione visualmente para verificar que no haya virutas, daños en los sellos y la limpieza en general.
3. Inspeccione visualmente para verificar que no haya depósitos de virutas y eliminarlos cuando sea necesario.
4. Seque con aire comprimido y aplique aceite inhibidor de corrosión a todas las superficies rectificadas de la prensa.

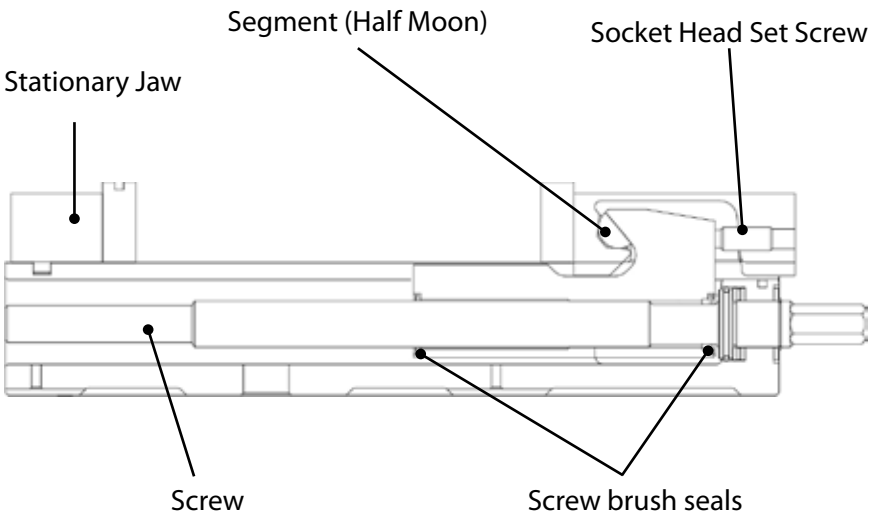
### Mensualmente

1. Abra la prensa al máximo.
2. En la parte posterior de la mordaza móvil (extremo de la manija, orificio central) afloje el tornillo de ajuste de cabeza hueca hexagonal (aprox. 6 vueltas). Con la llave hexagonal (llave Allen) en la cabeza hueca del tornillo de ajuste levántela y muévala hacia adelante para pivotar la mordaza y sacarla de la plataforma de la prensa.
3. Deslice levemente la mordaza hacia la mordaza estacionaria y levántela para sacar la mordaza del "gancho" de la tuerca. Nota: Un segmento semiesférico (con la forma de  $\frac{1}{2}$  bola de acero) se encuentra en el interior de la cavidad de la mordaza móvil y se puede caer al retirar la mordaza. Tenga cuidado de no aflojar ni colocar indebidamente el segmento semiesférico.
4. Voltee la mordaza móvil y limpie el interior de la cavidad. Además, limpie el segmento semiesférico.
5. Retire las virutas, limpie y aplique una capa liviana de aceite de máquina a la superficie maquinada de los componentes siguientes:
  - a. Conjunto de tuerca y tornillo (limpie las roscas expuestas en el tornillo)
  - b. Plataforma de la prensa (parte superior de los "carriles")
  - c. En el interior de la prensa entre los carriles centrales.



6. Para reensamblar la mordaza móvil, aplique una "bola" de grasa a la superficie inferior de la mordaza móvil en la cavidad. Coloque el segmento semiesférico en la cavidad correspondiente y empújelo hacia la grasa. La grasa retendrá en posición el segmento al voltear la mordaza para reinstalarla.
7. Inclíne la mordaza de manera que el frente de la misma (el lado con la placa de mordaza) quede sobre la plataforma de la prensa. Baje la mordaza para apoyarla sobre la plataforma de manera que el segmento haga contacto con la parte arqueada de la tuerca y el resto de la mordaza se apoye sobre la plataforma de la prensa.
8. Apriete el tornillo de ajuste para que haga contacto firme con la tuerca. Retroceda el tornillo de ajuste  $\frac{1}{4}$  de vuelta (aprox.) nota: NO deje el tornillo de ajuste apretado firmemente contra la tuerca ya que esto puede provocar el funcionamiento erróneo. La mordaza móvil está diseñada para moverse levemente (pivotar de lado a lado) de manera que se obtenga el máximo contacto con la placa de la mordaza al prensar piezas que no tengan bordes paralelos, aserradas, o piezas fundidas.
9. Su prensa ya está lista para el uso. Abra y cierre su prensa para verificar el funcionamiento correcto. Centre en la prensa la pieza a sujetar y cierre la prensa. Para asegurar la sujeción correcta, sus piezas deben estar centradas de lado a lado para asegurar la sujeción correct. (Véase la fig. 2 de abajo)

Fig.2



### **3 a 6 meses**

1. Abra prensa a máxima apertura.
2. Afloje y retire la mordaza móvil.
3. Quitar el anillo de retención en espiral desde el extremo del mango del tornillo de banco.
4. Retire el tornillo de sujeción del cuerpo de la prensa.
5. Retire el anillo de fijación de dos piezas, mediante la eliminación de los cuatro SHCS.
6. Con un tornillo todavía a mitad de camino a escindir el cuello primero.
7. Con un alcance de alfiler o tornillo en el segundo aro y girar fuera de la exposición de los rodamientos.
8. Quitar el conjunto de cojinete de empuje consistente en (2) y arandelas de empuje (1) de cojinetes de empuje desde el contador llevaba en el extremo del cuerpo.
9. Limpie e inspeccione el orificio de venta libre, arandelas de empuje y cojinete de empuje.
10. Aplique grasa resistente al agua hasta la arandela de empuje (es decir, Kurt lubricante p / n ELK o la grasa de grado marino)
11. Instale el conjunto del cojinete de empuje en el tornillo en el sentido inverso.
12. Instale el primer collar haciendo girar el tornillo hasta que se detenga. (*Artículos 12-14 - Véase la figura 6*)
13. Instale el segundo anillo detrás de la primera y girar hasta que se detenga. En este punto los orificios de los tornillos pueden o no estar alineados.
14. Gire el collar de segundos la izquierda hasta que las líneas de agujeros arriba.
15. A continuación, gire la parte posterior del cuello DOS (2) más agujeros de los tornillos. Esto permitirá que la distancia adecuada para el cuello para bloquear en las roscas y mantener los cojinetes firmemente en su lugar. (*Artículos 15-16 - Véase la Fig. 7*)
16. Instale los cuatro SHCS y crea firmemente.
17. Instalar el soporte de tornillo en el cuerpo sobre el tornillo (extremo hexagonal).
18. El tornillo de banco ya está listo para usar.

Fig.6

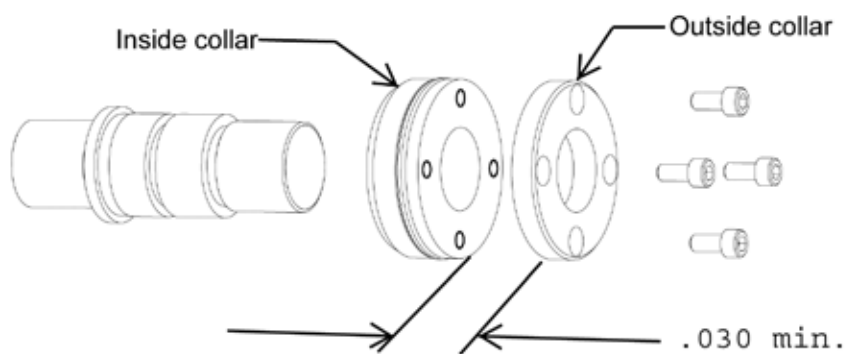
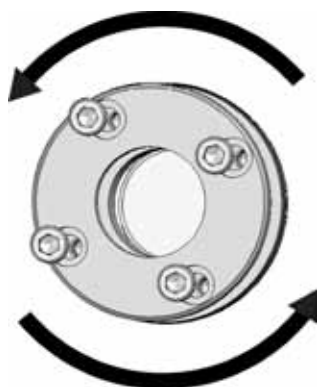


Fig.7











**¡Muchas gracias!**  
**Si tiene algún comentario o preguntas.**

**comuníquese con nosotros en**  
**workholding@kurt.com**  
**o**  
**877-226-7823**

**Al igual que, Tweet, y suscribirse a nosotros!**





**LIFETIME WARRANTY**

**IRON CLAD™**

## On All Kurt® AngLock® Workholding Products

Todos los productos y piezas industriales para sujeción de piezas de trabajo de Kurt Manufacturing Company con las excepciones indicadas más adelante, están garantizados contra defectos de fabricación y materiales durante toda la vida útil del producto de la pieza. (La vida útil del producto se define como el punto en el tiempo en el que dicho producto ya no funciona debido al desgaste normal debido al uso). La falta de mantenimiento apropiado y/o el uso erróneo del producto o pieza que se haya gastado, abusado, calentado, desbastado o modificado de otra manera, utilizado para un propósito diferente al original, o utilizado de manera incoherente con las instrucciones respecto a su uso. La única obligación de Kurt Manufacturing Company, Inc. (Kurt) y la ÚNICA Y EXCLUSIVA COMPENSACIÓN del comprador en virtud del presente documento, habrá de estar limitada al reemplazo o reparación de cualquier producto o pieza de Kurt (realizada por un técnico autorizado de Kurt) siempre que sean devueltos al local comercial de Kurt Manufacturing Company, con los gastos de transporte, envío y porte postal pagados previamente, y que Kurt Manufacturing Company determine que están cubiertos por la garantía incluida en el presente documento.

LA GARANTÍA LIMITADA QUE SE DESCRIBE EN EL PRESENTE DOCUMENTO SE OTORGA EXPRESAMENTE EN VEZ DE CUALESQUIERA OTRAS GARANTÍAS EXPRESAS O IMPLÍCITAS, INCLUSO CUALQUIER GARANTÍA IMPLÍCITA DE COMERCIABILIDAD O IDONEIDAD PARA UN PROPÓSITO PARTICULAR. KURT MANUFACTURING COMPANY NO ES RESPONSABLE DEL USO INDEBIDO DE SUS PRODUCTOS. KURT NO HABRÁ DE SER RESPONSABLE POR DAÑOS DIRECTOS, INDIRECTOS, INCIDENTES, ESPECIALES O CONSECUENTES, INCLUIDOS ENTRE OTROS, LA PÉRDIDA DE USO, INGRESO O UTILIDADES.

KURT NO ASUME NINGUNA RESPONSABILIDAD POR, NI OTORGA GARANTÍA ALGUNA PARA, NINGÚN ARTÍCULO COMPRADO EN EL CUAL EL FABRICANTE DE DICHO ARTÍCULO EMITA UNA GARANTÍA POR SEPARADO.



9445 East River Road NW  
Minneapolis, MN 55433

Phone: 877-226-7823

Fax: 877-226-7828

[kurtworkholding.com](http://kurtworkholding.com)

Manual Revision: 02.15.2012