



Majestic Appliances
WHERE SERVICE MATTERS



Sears

After sales service
provided by Sears Service
nationwide

Model MJ-9000V

Model MJ-9000VG (Greystoke Model)

Owners Manual

Very Important !

Read Installation Instructions On Page 5

Website: <http://www.MajesticAppliances.com>

Check this website under Models for the most up-to-date manual. In all situations, the most current manual governs in questions of use and warranty



Important Safety Instructions

WARNING- To reduce the risk of fire, electric shocks, or injury to persons when using your appliance, follow the basic precautions, including the following:

1. Read all instructions before using the appliance.
2. Do not wash articles that have been previously cleaned in, washed in, or spotted with gasoline, dry-cleaning solvents, or other flammable and explosive substances such as solvents.
3. Do NOT leave machine unattended when in use.
4. Do not add gasoline, dry-cleaning solvents or other flammable or explosive substances to the wash water. These substances give off vapors that could ignite or explode.
5. Under certain conditions, hydrogen gas may be produced in a hot water system that has not been used for 2 weeks or more. If this is the case, before using your washing machine, turn on all hot water faucets and let the water flow from each faucet for several minutes. This will release any accumulated hydrogen gas. Do not smoke or use an open flame during this process.
6. Do not allow children to play on or in the appliance. Close supervision of children is necessary when the appliance is in use.
7. Before the appliance is removed from service or discarded, remove the door.
8. Do not reach into the appliance if the tub or agitator is moving.
9. Do not install or store this appliance where it will be exposed to the weather.
10. Do not tamper with controls.
11. Do not repair or replace any part of the appliance or attempt any servicing unless specifically recommended in the user-maintenance instructions or in published user-repair manual. Also make sure that you understand the instructions completely and have the skills to carry them out.
12. Do not use fabric softeners or products to eliminate static unless recommended by the manufacturer of the fabric softener or product.
13. Do not use heat to dry articles containing foam, rubber or similarly textured rubber-like materials.
14. Keep area around the exhaust opening and adjacent surrounding areas free from the accumulation of lint, dust and dirt.
15. The interior of the appliance and exhaust duct should be cleaned periodically by qualified service personnel.
16. Do not place items exposed to cooking oils in your dryer. Items contaminated with cooking oils may contribute to a chemical reaction that could cause a load to catch fire.
17. This appliance must be grounded. Refer to the INSTALLATION INSTRUCTIONS for grounding details.

SAVE THESE INSTRUCTIONS

Welcome...



Congratulations. Welcome to the growing family of Majestic™ Appliance owners. By choosing a Majestic Appliances model as your laundry appliance you not only found the best in reliable technology, but above all you have found a faithful and untiring convenience appliance.

Your machine is strong, reliable and long lasting. All those qualities which have made the Majestic™ trademark famous the world over.

Above all, Majestic products are easy to use. Read this owner's manual carefully since it contains all the instruction for safe installation, use and maintenance. Remember to keep your owner's manual in a safe place so that you can refer to it whenever you need to.

For additional information and contact with the our staff, we invite you to visit our web site.

<http://www.MajesticAppliances.com>

(Majestic Appliances has made it easy to register your appliance online. Just go to our website and click on "Online Registration". Registering your product is essential to receive warranty service.)

We offer a wide range of appliance products, some of which might suit your needs. We also offer our revolutionary MajesticAppliances.TV web option, where you can view orientation movies on the web as well as comments from other users and frequently asked questions. Welcome to our Family!

For Your Records

Thank you for purchasing our Majestic Appliances Product. This manual will guide you in getting the most productive use of your appliance purchase.

Remember to record you Model and Serial Number. **They are on a label on the back of the machine or inside the door.**

Staple your receipt to your manual. **YOU WILL NEED IT TO OBTAIN WARRANTY SERVICE!**

Model Number

Serial Number

Date of Purchase



Table of Contents

Instant help

Page 5

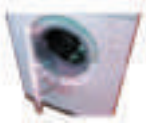
Getting things ready to install your appliance



Unpacking, Inspecting, Electricity, Closets/ Alcoves, Plumbing, Venting

Page 9

For best results washing



Preparation, sorting, inspecting, pre-wash treatments, helpful laundry hints, simple controls, detergent dispensers

Page 12

Selecting dry cycles



Drying Controls, Cottons, Synthetics/Delicates, Wool

Page 14

Troubleshooting



Washing, Drying, Vibration, Optimizing dry time, wrinkles, draining

Page 15

Maintenance tips



Water, exterior, interior, winterizing, detergent, pump, technical specifications, Obtaining Service

Page 18

Warranty Information

Registering your appliance via the internet, Extended Warranty options, ordering maintenance manuals

Installing/Removing Getting things ready to install your appliance

**Unpacking, Inspecting, Electricity, Closets/Alcoves,
Plumbing, Venting**

Unpacking



- Check the packing box for external damage. It is your responsibility to register any damage with the freight company delivering the product.
- Remove the strapping, then slide the cardboard surround off the machine. Remove the foam protecting material and the plastic bag.
- Write down the serial number from the box or the back of the machine.
- Destroy the carton, plastic bags and foam parts after appliance has been unpacked.
- Children should never be left alone or unattended in the area where appliances being unpacked.
- If you have any doubts, do not use the appliance and call on a qualified technician.



**OWNER RESPONSIBLE
FOR DAMAGE RESULTING
FROM TIPPING MACHINE
AFTER REMOVING
SHIPPING BOLTS. AVOID
TIPPING MACHINE
FORWARD AFTER
SHIPPING BOLTS ARE
REMOVED**

REMOVING THE FOAM DRUM SUPPORT



REPLACING THE METAL BOTTOM PAN.

**EXTRA CARE HAS BEEN TAKEN TO PREVENT SHIPPING
DAMAGE. MAJESTIC IS THE ONLY COMPANY WHO SHIPS THEIR
APPLIANCES WITH A DRUM SUPPORT TO REDUCE TRANSIT
DAMAGE. THE FOAM DRUM SUPPORT MUST BE REMOVED. HERE
WE DEMONSTRATE HOW TO ACCOMPLISH THIS.**

**SHIPPING
BOLTS MUST
REMAIN IN
MACHINE
DURING THIS
PROCESS!**



Carefully tip the unit from front to back making sure it can't tip all the way over.



Remove the foam drum support.



With the unit tipped back, loosen the leveling legs a few turns.



Tip the unit the other direction from the back and remove the leveling legs totally



Slide the bottom pan so that the front slots in the pan fit over the feet of the leveling legs.



Replace the rear leveling legs and tighten them down securely.



Go to the front of the machine and retighten the leveling legs and you are done.

REMOVING THE FOAM DRUM SUPPORT REPLACING THE METAL BOTTOM PAN.



WARNING!!! IN ORDER TO REMOVE THE FOAM DRUM SUPPORT AND REPLACE THE METAL BOTTOM PAN, THE BOTTOM OF THE MACHINE MUST BE ACCESSED. SHIPPING BOLTS MUST REMAIN IN THE APPLIANCE WHILE ACCOMPLISHING THIS STEP IN THE PREPARATION PHASE OF THE INSTALLATION.

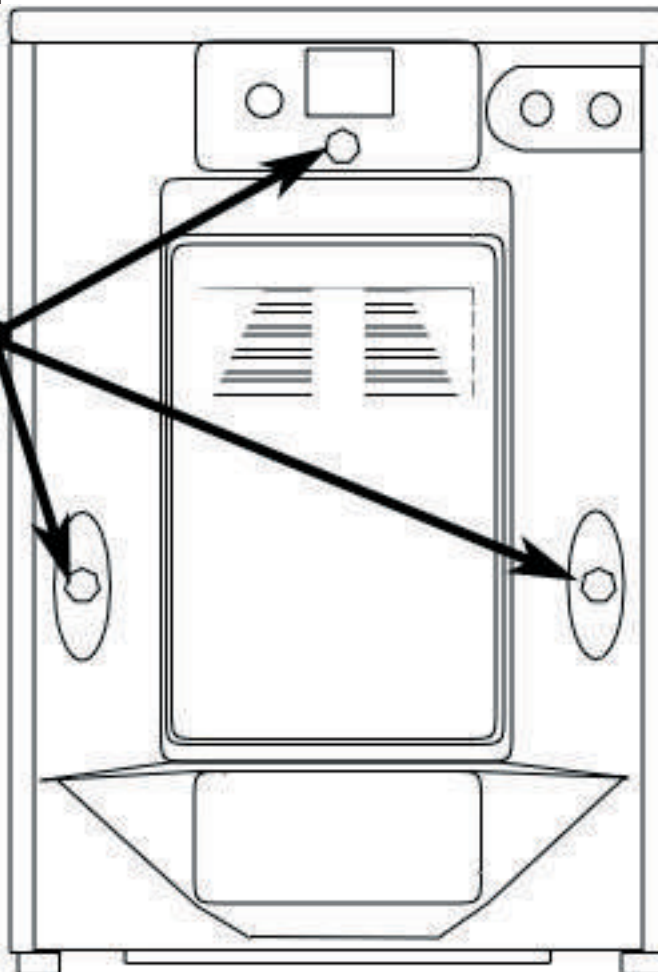


Inspecting **WHEN TO REMOVE SHIPPING BOLTS!**



WARNING!!! TIPPING THE MACHINE TO POSITION IT FOR USE MUST BE DONE WITH THE SHIPPING BOLTS STILL IN THE MACHINE!

TIPPING THE MACHINE WITHOUT SHIPPING BOLTS, CAN CAUSE THE INNER DRUM TO IMPACT OTHER INTERNAL PARTS, THUS DAMAGING THEM. POSITION THE MACHINE AS CLOSE AS POSSIBLE TO IT'S FINAL POSITION AND THEN REMOVE SHIPPING BOLTS.



**SHIPPING
BOLTS**

**ATTENTION:
DO NOT TAKE
OUT SHIPPING
BOLTS UNTIL
MACHINE IS
POSITIONED
WITHIN A FEW
INCHES OF ITS
FINAL INSTALL-
TION POINT. TIP-
PING THE UNIT
OR MOVING IT
WITHOUT SHIP-
PING BOLTS
WILL VOID WAR-
RANTY.**

INSPECT CONTENTS

- Owners Manual
- Brass Pressure Regulators
- (Must be installed on hot and cold water inlet. Failure to do so can damage the internal components and cause water damage for which the installer/owner will be responsible!)
- Warranty Registration Card
- Majestic Literature
- Hoses have washers in both ends.



Brass Pressure Regulators installed on back of appliance.

Installing/Removing Getting things ready to install your appliance (continued) Electricity



Make sure that the voltage and frequency available correspond with the values stated on the data plate located at the back of the machine and that the electric system is dimensioned to withstand the maximum current shown on the data plate. If the socket the machine is connected to does not correspond with the plug, replace the plug with a suitable one and avoid using adapters or shunts since they could cause over heating and burn out.

Grounding

This appliance must be grounded. In the event of malfunction or breakdown, grounding will reduce the risk of electric shock by providing a path of least resistance for electric current. This appliance is equipped with a cord having an equipment-grounding conductor and a grounding plug. The plug must be plugged into an appropriate outlet that is properly installed and grounded in accordance with all local codes and ordinances.

WARNING- Improper connection of the equipment-grounding conductor can result in a risk of electric shock. Check with a qualified or service representative or personnel if you are in doubt as to whether the appliance is properly grounded.

Do not modify the plug provided with the appliance: if it will not fit the outlet, have a proper outlet installed by a qualified electrician.

Electrical Specifications:

Voltage/Amperage - 115V, 12 Amp, 60 Hz 3 Prong plug attached to the appliance in the factory

Circuit/Protection - 3 wires single phase, 120V, 60 Hz, AC separate 15 amp circuit or greater.

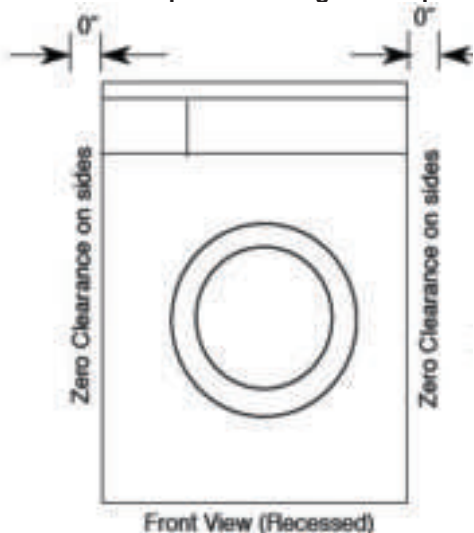
Recessed, Closet and Alcove Installations



This appliance may be installed in a recessed area, closet or alcove. All measurements are in inches.

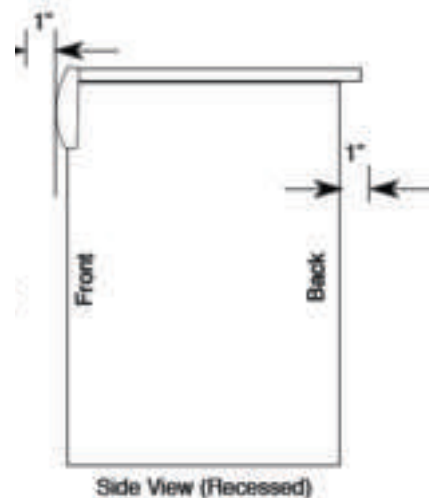
- If the appliance is to be installed in a closet with zero clearance on the side of the appliance, a total of 12 square inches of free air space movement to the back of the unit must be allowed into the closet.
- If a door is to be installed that potentially encloses the unit while running, the door must allow for a minimum of 20 square inches of free air movement. There must also be a 1" space from the front of the unit to the closed door and 1" from the back of the unit to the wall. Additional spacing should be considered for easy installation, servicing, removal and compliance with applicable local, state and federal codes.
- The floor must be able to support at least 280 lbs and a surface that is solid and level. If machine is to be placed in cabinet, up off the floor, it may be necessary to secure the drum with a tether to prevent excessive drum movement. Please call Majestic Appliances for more information.
- Installations in RV's or Marine pleasure craft suggest that the machine might best be installed midships in the boat, or over the axles of the RV where movement is at a minimum.

Adequate blocking should prevent extreme movement when installed in an RV or Marine pleasure craft.

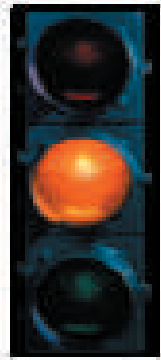


If the appliance is to be installed in a closet, the installation must be completed by a qualified person or service representative.

Additional clearances for floor, wall or door moldings may be required.



Installing/Removing Getting things ready to install your appliance (continued) Plumbing - Water, Drains



WATER CONNECTION

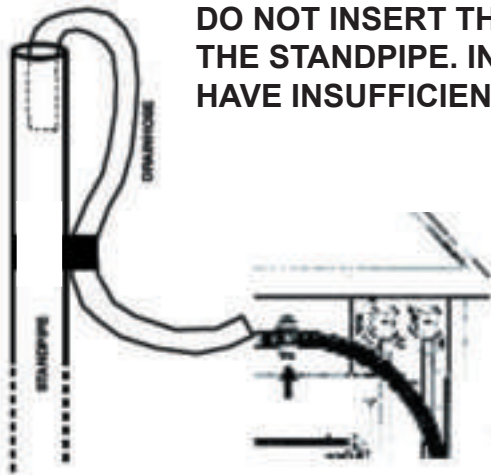
1. This appliance can be used with either hot/cold or cold/cold connections.
2. The hoses supplied have either a straight end or an elbow end. The elbow end is meant to connect to the washer. Be sure to connect the hot hose to the hot side of the appliance itself, the cold side to the cold connection. (See picture) The straight end to the 3/4" BSP standard hose bib thread.
3. **MAKE SURE WASHERS ARE INSTALLED IN EACH END OF THE SUPPLY HOSES.**
4. Ensure that water connections are free from debris or sediment.
6. **BRASS PRESSURE REDUCERS MUST BE INSTALLED TO PROTECT COMPONENTS INSIDE THE APPLIANCE. IMPORTANT ! CHECK THREADS ON THE MACHINE, THE BRASS PRESSURE REDUCERS AND THE SUPPLY HOSES TO ENSURE THEY ARE CLEAN. DO NOT USE EXCESSIVE FORCES. TIGHTEN BY HAND. DO NOT USE POWER TOOLS.**

Brass pressure reducers and elbow ends of supply hoses.



Connection of the drain hose to standpipe

- Outlet end of drain hose (See figure 2) must be at least 20" above bottom of washer. Do NOT block top of standpipe closes with tape or other materials. An air break must be provided at the standpipe to avoid siphoning.
- Connect the drain hose to a standpipe (with internal diameter of at least 3.2 cm or 1 1/4" min. diameter) with a minimum carry away volume of 7 gallons. The top of the standpipe must be 20" minimum from the bottom of the appliance. Place drain hose for drainage into a sink tub or standpipe, ensuring that there are no kinks or bends. The free end must be at a height of 80 cm (31 1/2") from the floor, the hose must be fixed in the appropriate hook on the upper part of the back panel (fig.4)



DO NOT INSERT THE END OF THE DRAIN HOSE MORE THAN 6" INTO THE STANDPIPE. INSERTING MORE MAY CAUSE THE APPLIANCES TO HAVE INSUFFICIENT DRAINAGE.

CORRECT LEVELING OF UNIT IS ESSENTIAL

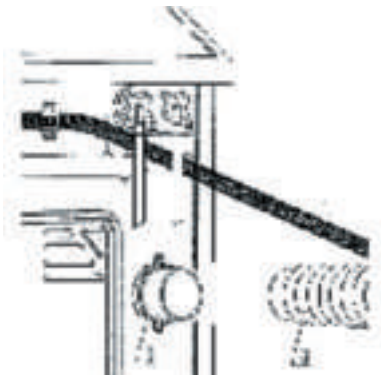
It is important for the machine to be perfectly level. The angle of inclination on the work surface must not be more than 2 degrees. For this reason the machine is fitted with adjustable feet used for leveling the machine before use. In the case of carpeted flooring, remember to check that the ventilation in the support area is not plugged.



Exhaust Duct Installation

- Check that all ducting is lint free. Secure ducting with clamps or metal tape.
- The exhaust duct must end with an approved exhaust vent hood with swing out dampers or appropriate louvers.
- Flex or rigid metallic ducting is recommended.
- Exhaust duct should be short and straight and slope downwards and away from the appliance. Long exhaust duct runs can increase drying time and collect lint.

IMPORTANT! THE EXHAUST DUCT SHOULD NOT BE INSERTED INTO A CHIMNEY WALL, CEILING OR CONCEALED SPACE OR STRUCTURE.



Washing

For best results washing

Preparation, sorting, inspecting, pre-wash treatments, helpful laundry hints, simple controls, detergent dispensers



Preparation

Before you begin washing, taking a few simple steps will help you have a better washing experience and save wear and tear on your clothing as well.

- 1) Read factory labels for washing instructions
- 2) Pre-treating heavily soiled areas will also improve washing results.
- 3) Obtain and use Majestic™ Low Suds Laundry Soap or any other commercial brand that keeps over sudsing in check. Use 1 to 2 ounces.
- 4) Your Majestic™ has over 13 different wash cycles that can last as long as 120 minutes or as short as 35. Select the one that is right for the load.

Sorting

Separate laundry according to fabric type, color and how dirty things are. Also consider separating clothing that generate lint from clothes that do not typically generate much lint. Cottons, synthetics, and woolen fabrics for starters. Color fast products vs. those that might bleed and fade on to other clothing. What size load? **A good rule of thumb is that clothes should be visible in the window of the machine from 1/2 to 2/3's full. Another way of stating it is 10-12 lbs. wet. THE NUMBER ONE CAUSE OF EARLY MACHINE FAILURE IS OVERLOADING! OVER LOADING MACHINE WEAR IS NOT COVERED UNDER WARRANTY**



Inspecting

This goes without saying, but check pockets for loose change, and other hidden impediments. Fastening all zippers, hooks, and buttons will prevent damage to garments and to the machine. Turning knit garments inside out will also protect the garment. Using a mesh laundry pouch for delicate items such as tights and stockings, bras, shoulder pads and underwear can prevent tangling. Also, if a garment is torn or damaged, washing and drying will only make it worse. Take a minute and do a bit of mending. It will enhance fabric care in the long run.

Pre-Wash treatments

Your laundry appliance has a built in assistant to take care of your pre-wash feature. Besides individually treating garments as need arises, also consider using a longer wash cycle if necessary that includes use of the pre-wash section of the detergent drawer. Often children's play clothes and men's work clothes take a beating and can use some extra cycles to come clean.

Helpful laundry hints

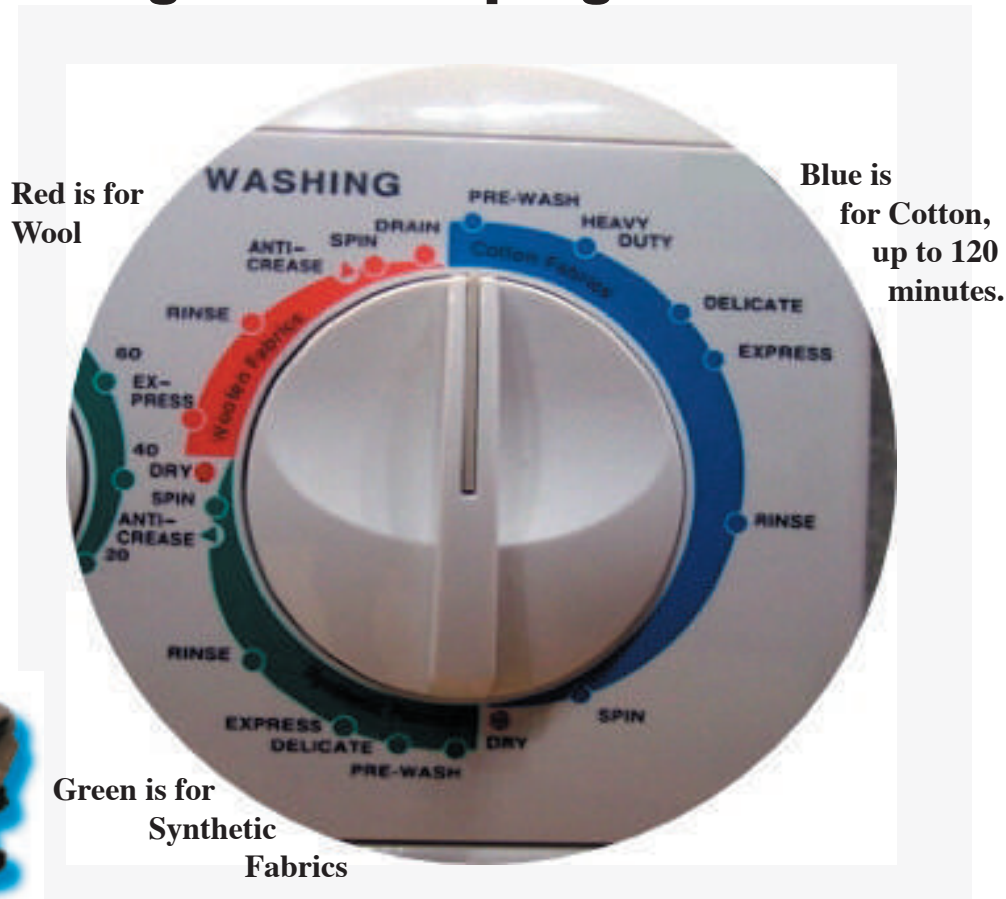
Detergent - Because this is a front loading machine, your Majestic™ requires less of almost everything, from laundry detergent to fabric softener to bleach. LOW SUDS detergents are even more convenient in a front loader, because of the efficiency of clothes on clothes agitation. FABRIC SOFTENER can actually improve dry times, but NEVER USE SOFTENER SHEETS OR OVERUSE SOFTENER. It could cause damage to your machine. And using bleach can whiten clothes when nothing else will. Always dilute bleach before using. Too much bleach can damage fabrics.

Washing

For best results washing (continued)

Preparation, sorting, inspecting, pre-wash treatments, helpful laundry hints, simple controls, detergent dispensers

Selecting/setting the wash program.



Use Majestic Laundry Detergent. Cost effective.
On the web at <http://www.thehotdeal.com> or call us toll free at 1-800-678-8002.

Majestic™ controls offer a simple approach that Select the program you want to use, based on the clothing you are planning to wash. Blue is for cotton loads, green for synthetics, and red for wool. With the machine off, turn the selector knob clockwise until you have selected the wash cycle of your choice. Use the chart on page 11 for more details.

After you select the wash cycle, the timer will rotate until the cycle is finished. You are done when the timer has reached the * at the end of the cycle. If you have set the machine for drying, the dry cycle begins automatically when the wash timer rotates to the star. You can reduce the rinse cycle on any of your selections by selecting the “Economic” button. On smaller loads the “economic button” saves you from using excess water, a Majestic™ exclusive.

Washing

For best results washing (continued)

Preparation, sorting, inspecting, pre-wash treatments, helpful laundry hints, simple controls, detergent dispenser

Controls, detergent dispenser



Economic Button

This is a very useful button that will save you a lot of money. It reduces water consumption when rinsing.

If you have a small load use this button and reduce water consumption.

No Spin Button/Soak

This button allows you the option of excluding the spin phase of the wash cycle when washing delicate or woolen fabrics. On recent models this button is a SOAK button, that stops the machine to allow soaking in fabric softener.

ON/OFF Button

This button supplies electrical power to the appliance.

Detergent Drawer

The detergent dispenser is divided into 4 compartments marked 1, 2, A and C.

- 1 Pre-wash detergent
- 2 Wash detergent
- A Softeners, conditioners and perfumes.
- C Bleach

Washer Control

This control turns clockwise and allows you to select any of 14 wash cycles for any load. It is best to adjust this with the power off. Blue is for Cotton, green for synthetics and red for wool.



Spin Speed Control

This control permits the selection of your own desired speed for the spin cycle. The higher the RPM in spin, the less water remains in the clothes and the quicker the dry cycle. Some fabrics are easily wrinkled. In these cases, a lower spin speed can be selected.



Guide for Selecting Programs on your Majestic™ laundry appliance

Type of Fabric and degree of soiledness	Detergent for Pre-wash	Detergent for wash	Softener	Bleach	Description of Wash Cycle	Water Temp	Approx. Wash Time
Pre-Wash: Heavily soiled white laundry and color fast fabrics * †	Yes	Yes	Yes	Yes	Prewash, wash, rinse, extended spin. High water level.	Cold	120 min
Heavy Duty: White and color fast fabrics * †	No	Yes	Yes		Heavy duty , rinses, extended spin	Hot	90 min
Normal: Mixed cotton, synthetics and color fast fabrics †	No	Yes	Yes		Moderate, rinse, extended spin	Warm	60 min
Express: Colors / whites †	No		Yes		Normal, rinse, extended spin	Cold	45 min
Rinses	No		Yes	Yes	Rinses	Cold	
Softener	No		Yes		Softener added	Cold	
Spin Cycle	No				Extended spin		
Drying cycle for natural fibers	No				Heavy fabric drying		60-90 min
Heavily soiled synthetic and color fast fabrics †	No		Yes		Heavy duty, anti-crease delicate spin	Warm	90 min
Normally soiled synthetic and color fast fabrics †	No		Yes		Moderate, anti-crease delicate spin	Cold	60 min
Synthetic fabrics with delicate colors †	No		Yes		Normal, anti-crease delicate spin	Cold	45 min
Rinses	No		Yes		Rinses	Cold	
Softener/Ant Crease **	No		Yes		Softener added	Cold	
Spin Cycle	No				Draining, delicate spin		
Drying cycle for natural fibers	No				Delicate drying		60-90 min
Woolens †	No		Yes		Delicate wash	Cold	45 min
Rinses	No		Yes		Rinses	Cold	
Softener/Ant Crease **	No		Yes		Softener added	Cold	
Spin Cycle	No		Yes		Delicate Spin		

* - TIP: You can reduce wash time by stopping at the end of selected cycle and advancing timer to rinse cycle. For example: Prewash setting when timer stops at heavy duty setting advance to rinse, you will have a 90 minute wash in hot water.

** - IMPORTANT: Some timers are designed to stop at ANTI-CREASE symbol to allow clothes to soak in fabric softener for as long as the customers feels necessary. You must advance the timer manually one click to finish the rinse and spin cycle. Newer times have a SOAK option that is only activated when you select the SOAL button next to the OFF/ON button.

† - NOTE: BLEACH & SOFTENER: There will always be residual water in the bleach and softener tray. As you add bleach or softener for a wash load any residual water will not adversely affect the bleach or softener.

Drying Selecting Dry Cycles

Drying Controls, Cottons, Synthetics/Delicates, Wool



Drying Controls

Washing and Drying Automatically- If you are washing cottons (blue) or synthetics (Green), the machine will automatically begin drying at the end of the wash cycle. Remember that the temperature for cottons (blue) is higher than the temperature for synthetics (green). It takes 15 minutes for the machine to reach full temperature.

Blue is for Cotton fabrics. Up to 120 minutes



Green is for Synthetics, is a lower temperature than cotton, up to 90 minutes. YOU CAN USE THIS CYCLE FOR COTTON AS WELL IF YOU WANT A LOWER TEMPERATURE COTTON DRYING CYCLE.

You are in control of the drying cycle

Generally, cottons require more drying time than synthetics. You will notice that the cotton dry cycle offers up to 120 minutes of drying. Normally cotton shirts take less time than denim jeans. You will have to experiment a little to determine what dry times work for you.

Size of drying load

With the correct load size, the Majestic™ washes and dries very efficiently. If the wash load is made up of heavy and dense fabrics, you may need to split the load into two loads. After the first load is complete, turn off the power, turn the wash timer to the appropriate time, load the machine and turn the power button on again.

Caution: Door Lock

For your safety, the door lock stays engaged for the duration of the wash cycle. If you want to open the door during the dry cycle, you may, but you must turn off the power. We suggest waiting 1-2 minutes at least before opening the door and reaching in, as the clothing may be warm to the touch.

Stains

Tips on Stain Removal BALLPOINT

INK

Hold stain against towel, spray closely from behind with aerosol hair spray. Ink should transfer to towel

BEVERAGES

Soak in cool water. Re-wash with stain remover. Launder using chlorine bleach (if safe for fabric) or oxygen bleach.

BLOOD

Immediately rinse with cool water. For dried stains, soak in warm water with a product containing enzymes. Launder.

CANDLE WAX

Scrape off as much as possible with dull side of knife, then iron between absorbent paper, changing paper until wax is absorbed.

CHOCOLATE

Pre-wash with product containing enzymes in warm water or treat with pre-wash stain remover. Launder.

COLLAR, CUFF SOIL

Pre-wash with stain remover, liquid laundry detergent or paste of granular detergent and water. Launder.

COSMETICS

Pre-wash with stain remover, liquid laundry detergent or paste of granular detergent and water or rub with bar of soap. Launder.

DAIRY PRODUCTS

Soak in a product containing enzymes for at least 30 minutes (hours for aged stains). Launder.

DEODORANTS & ANTI-PERSPIRANTS

Pre-treat with liquid laundry detergent. Launder. For heavy stains pre-treat with pre-wash stain remover. Allow to stand 5 to 10 minutes. Launder using an oxygen bleach.

EGG

Soak in product containing enzymes. Launder.

FRUIT JUICE

Rinse with cool water.

GRASS

Soak in product containing enzymes. If stains persist, launder using a chlorine bleach (if safe for fabric) or oxygen bleach.

GREASE SPOTS, OIL

Pre-treat with pre-wash stain remover or liquid laundry detergent. For heavy stains, place stain face down on clean paper towels. Apply cleaning agent to back of stain. Replace paper towels under stain frequently. Let dry, rinse and launder using hottest water safe for fabric.

INK

Use ink eradicator on undyed, untreated linen.

LEMON, LIME JUICE, VINEGAR

Rinse immediately with cool water.

LIPSTICK

On pure linen, rub with a little salad oil to dissolve lipstick, then launder to remove oil.

MEAT JUICE

Rinse with cool, never hot, water.

MILDEW

Badly mildewed fabrics may be beyond repair. Launder stained item using chlorine bleach, (if safe for fabric). Or soak in oxygen bleach and hot water. Then launder.

PERSPIRATION

Use pre-wash stain remover or rub with bar of soap. If color of fabric has changed, apply ammonia to fresh stains, white vinegar to old stains and rinse. Launder using hottest water safe for fabric.

RED WINE

Cover with salt if stain is fresh, then rinse with cool water. If stain has dried, try club soda.

SCORCH

Treat same as for mildew (listed above).

TAR

Scrape residue from fabric. Place stain face down on paper towels. Sponge with cleaning fluid. Replace towels frequently. Launder in hottest water safe for fabric.

TOMATO

Rinse with cool water.

WHITE WINE

Use club soda.

Troubleshooting tips

Read here, then call us



Even though your washer dryer has been carefully designed and constructed, something may still go amiss with your machine. Before rushing to technician, please check that the operations listed below have been carried out. In many cases you will save time, money and a bother. Our statistics show that many calls made to our service representatives could have been solved with a little more attention to these basic operations.

The washer dryer won't start

Check that:

- the plug is pushed right into the main socket
- the door is closed tight
- the ON/OFF button has been pressed

The washer dryer won't fill with water

Check that:

- the tap is open and properly connected to the inlet pipe
- the inlet pipe is not bent
- the inlet pipe is placed at least 80cm/32in. above ground level

The washer dryer drains continuously

Check that:

- the drain hose is not blocked
- the drain hose is placed at least 80 cm/20 inches above ground level but not more than 1 meter/40 inches above ground level.
- the drain pump doesn't work, the filter net of the drain pump is blocked

There is too much foam in the tub

Check that:

- the detergent being used is meant for automatic machines and not for washing by hand that the amount used is correct as stated in this manual and not more

The washer dryer vibrates too much when spinning

Check that:

- the shipping bolts have been removed (see installation manual)
- the machine is level
- the washing load is according to the instructions given in this booklet

The washer dryer fills up with water and won't drain.

Check that:

- The drain hose is only 6" into the stand pipe.
- The drain hose is not clogged
- Standpipe is correct specification

The washer dryer is not drying

Check that:

- the plug is fitted firmly into the main socket
- the door is properly closed
- the wash program knob is in position *
- the drying time knob is not in position 0.
- Use the cotton (blue) hotter cycle with cotton fabrics, and use synthetic (green) cooler cycle for synthetic fabrics.
- the recommendations for the maximum loads and drying times have been followed

Wrinkling

Check that:

- avoid mixing heavy fabrics with light fabrics
- Load your dryer to allow for enough room for clothes to tumble
- Make sure you are not using the cotton drying cycle with synthetic clothes
- the recommendations for the maximum loads and drying times have been followed

Owner Care

Maintenance Tips

Owner Care

Water, exterior, interior, winterizing, detergent, pump, technical specifications

Water Hoses

Periodically check both ends of the water supply hoses to ensure that the washers have no cracks or deterioration and that the hoses themselves have no kinks, bulges or worn spots. Replacing inlet hoses from time to time can prevent hose failure and water damage.

Exterior

Keeping the exterior of the unit clean will preserve the value of your investment. Use a soft cloth and liquid cleanser to clean and maintain the exterior. Periodically clean the exterior vent and hose for any lint build up.

Interior

Do not use solvents either to clean the machine or to do the wash. Clean the detergent dispenser ever so often. This is very simple and should be done with water. Detergent dispenser - Your machine has an extractable dispenser to make it even easier. From time to time, using water and a damp clothes remove excess detergent, softener and any build up of bleach that may have accumulated in the detergent drawer.

Winterizing

To winterize your appliance, follow these steps:

- 1) Turn the power off
- 2) Put 1/2 quart of R.V.type potable antifreeze in the machine and close the door
- 3) Turn the program selector knob to Spin. Turn the power on and let the appliance spin for 1-2 minutes
- 4) Turn the power off and unplug the washer.
- 5) Shut off water at both faucets and disconnect water inlet hoses from faucets and drain.
- 6) Put 1/2 quart R.V. type potable anti-freeze in machine. DONE!

To put the appliance back into service.

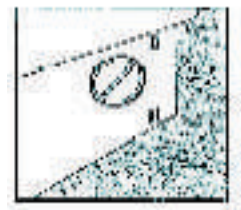
- 1) Make sure the RV Water supply is clear of antifreeze.
- 2) Hook up the power and water as before.
- 3) Run the water through the delicate cycle with 2/3 tablespoon of detergent to clean out appliance.

If you are putting antifreeze in the water lines of an RV or Boat, run the machine until you see pink water introduced into the drum. Then turn the power off and advance the timer to spin. Turn the power back on and spin for 30 seconds to get antifreeze into the entire system. Now turn the power off and continue steps 4 and 5 and 6 above.

Pump

Self Cleaning Pump - Your washer dryer is equipped with a self-cleaning pump. It is therefore not necessary to carry out cleaning and maintenance operations. Some objects such as buttons, coins, etc., will sometimes drop into the pump and must be removed. These items become trapped in a special "anti-chamber" which can be reached through the front part of the pump. Open cover to pump, turn counter clockwise to access pump chamber, and remove any coins, buttons, etc. Pump chamber should be inspected every six months

Note: Some water may spill out when removing the cover. Place towel on floor to absorb water.



Technical Specifications

Model	MJ9000V
Rated Volts	110V/60Hz
Washing Input Power	330W
Spin Input Power	700W
Wash Capacity	5 kg (11 lbs)
Spin Capacity	5 kg (11 lbs)
Drying capacity	2.5 kg (5.5 lbs)
Spin Rotation Rate	1000-1200 RPM
Wash Programs	16
Water Pressure	.05-a (Mpa)
Outside dimensions H x W x D	33 1/4 x 23 3/8 x 22 inches
Weight	72 kg (159 lbs)

Getting Service / Preparing your appliance for service



MAJESTIC™ has hundreds of service agents all over the country including a partnership with the Sears Network of Appliance Service, with over 15,000 service agents. Call us on our toll free hotline (1-800-678-8002) and we will serve your needs. Remember that if your service call is the result of component failure we will be happy to cover it under your warranty. **If it is not, you will be charged for the time and travel.** Our call center is available Monday through Friday from 8:00 am to 5:00 PM. You will find our technicians helpful, knowledgeable and friendly and available from 7 am to 3:30 Pacific time.

PREPARING YOUR APPLIANCE - Your Majestic Appliance may have been installed in a home, condominium or apartment. Clothes, detergent and other items must be cleared away and units must be accessible. **RV or Marine installations require that the owner remove trim, doors and other items as well as repositioning the machine to make the back accessible.**

Remote Locations

In certain cases, even the largest appliance manufacturers do not have service in remote locations. Having product in a home is one thing. Having appliances in a home that moves all the time is another. Majestic has taken several important steps to accommodate this difficult situation. **Service knowledge on demand™** is one such step that only Majestic offers. Often appliance dealers who service traditional home appliances can view our training movies online and make a repair where no other option would be available. But after all of these steps are exhausted Majestic Appliances may have to request that an RV Owner drive to the nearest authorized service dealer in order for us to provide service.

Improper installations, by owners or dealers are the responsibility of the installer. Majestic is happy to provide technical support in such cases. Service costs and travel expense will be paid by the owner and negotiated between the owner and the installer. **Please run your machine after it is initially installed through all cycles to verify that the machine works and has been installed according to installation guidelines.**

Owner Care Warranty Information

Your Majestic™ appliance is covered by this warranty under normal personal, family, household or RV use in the US and Canada

Your Majestic™ Appliance is covered under the limited warranty for 1 full year from the original purchase, on the **mechanical parts**. Only when installed in accordance with the instructions in the manual does our warranty apply. It is the option of the factory to replace or repair any part or material which becomes defective as a result of poor workmanship or material under normal personal, family or household use.

During this one year, Majestic™ Appliance will provide all **labor** and parts necessary to repair any defect as long as the appliance has been installed and operated in accordance with the instructions provided. In the case of a tight installation, including RV's or Marine pleasure craft, providing ready access to the appliance is the responsibility of the owner including wood or metal trim, doors or hardware. In all cases our flat rate schedule for labor applies. In no event, shall Majestic™ Appliances or its parent company, be liable for incidental or consequential damages or for damages resulting from external causes such as abuse, misuse, incorrect voltage or acts of God. This warranty does not cover service calls which do not involve defective workmanship. Trip fees are also not covered under this warranty. Incorrect installation procedures or materials not provided by Majestic™ appliances are not covered. Therefore, service calls, diagnosis, and repair costs for a service call which does not involve defective workmanship or materials will be the responsibility of the consumer/owner. This might include but is not restricted to, improper hookup or leveling, cleaning of air and/or water filters, replacing broken door handles, or excessive movement caused by travel or recreation or installation.

Being fair, most work is covered. If the machine has malfunctioned Majestic™ covers it. If the installer/consumer has omitted or done something to cause the machine to malfunction, they cover it. **Warranty registration and proof of purchase are required for any warranty service.**

You can call us toll free at 1-800-678-8002 for service. Our address is
Majestic Appliances, LLC
3201 NW Lower River Rd. #9
Vancouver, WA 98660

Extended Warranty Information

Contact us at our office for up-to-date information on extended warranty costs. You can obtain an additional warranty for 1 or 2 additional years through our exclusive warranty agreement. To be eligible for this warranty you must use the machine for personal use, not in a commercial application, purchase the coverage, register the contract and received your contract number or certificate. The unit must be registered with our warranty agency and have a contract number issued within the 30 days of ownership, to the original owner, or this offer is void. **You can apply for extended warranties online at <http://www.thehotdeal.com> our online partner.**

Owner Care Accessories

You have a broad selection of installation and owner accessories available. Just ask your local dealer or give us a call.



PN 17-1051 Dryer Vent Kit includes:
 Louvered Vent Hood
 Pipe and Collar
 UL Listed Transition Duct
 (2) Clamps



PN 17-1052 Econo Outside Vent
 Calcium filled Polypropylene
 Melting Point 325 Degrees Approx.
 UV Inhibitor added
 Opens with ease for maximum exhaust flow
 Curved Louvers for quieter operation
 Durable Weather Resistant
 Dimensions - 6" wide x 6" tall x 5/8" flange depth
 Free - 4" diameter - 19.5 square inches.

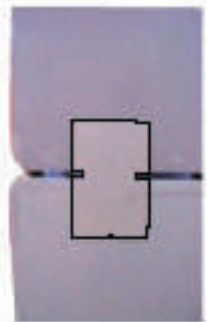


PN 17-1054 Deluxe Chrome Outside Vent
 Die cast ZAMAK with chrome finish
 Black polypropylene flange
 4" hose adapter
 Pre-drilled for #8 screws
 dimensions - 5.425" tall x 5.8" wide
 x 2.25" deep
 UV Inhibitor



PN 17-1056 drip Pan
 High Density ABS

PN 17-1053 Econo Outside Vent
 Paintable ABS
 Melting Point 325 degrees approx.
 UV Inhibitor added
 Easy installation
 Rubber Flap quiet when traveling
 Durable Weather Resistant
 Dimensions - 5.25" wide 6" tall x 2.25" deep
 Free Air - 4" diameter = 19.5 Square Inches



PN 17-1050 Stackable Attaching Kit
 Part for stacking the washer and dryer separates



PN 17-1054 Majestic Laundry Detergent
 Low Sudsing Action
 Approved in all 50 states

-Notes-