



Microwave Oven

INSTRUCTION MANUAL
MODEL:SY-MW31G



Read these instructions carefully before using your microwave oven, and keep it carefully.

If you follow the instructions, your microwave oven will provide you with many years of good service.

SAVE THESE INSTRUCTIONS CAREFULLY

Congratulations on the purchase of your new Microwave SY-MW31G.

In order to fully benefit from this product please read the following instructions carefully. Store this user manual in a safe place for future references.

PRECAUTIONS TO AVOID POSSIBLE EXPOSURE TO EXCESSIVE MICROWAVE ENERGY

- (a) Do not attempt to operate this microwave oven with the door open since this can result in harmful exposure to microwave energy. It is important not to break or tamper with the safety interlocks.
- (b) Do not place any object between the microwave oven front face and door or allow soil or cleaner residue to accumulate on sealing surfaces.
- (c) **WARNING:** If the door or door seals are damaged, the microwave oven must not be operated until it has been repaired by a competent person.

ADDENDUM

If the apparatus is not maintained in a good state of cleanliness, its surface could be degraded and affect the lifespan of the apparatus and lead to a dangerous situation.

Specifications

Model:	SY-MW31G
Rated Voltage:	230V~50Hz
Rated Input Power(Microwave):	1050W
Rated Output Power(Microwave):	700W
Rated Input Power(Grill):	1000W
Microwave Oven Capacity:	20 L
Turntable Diameter:	Ø255mm
External Dimensions(LxWxH):	439.5 x355x258.2mm
Net Weight:	Approx.10.7 kg

IMPORTANT SAFETY INSTRUCTIONS

WARNING

To reduce the risk of fire, electric shock, injury to persons or exposure to excessive microwave oven energy when using your appliance, follow basic precautions, including the following:

- Warning:** Liquids and other foods must not be heated in sealed containers since they are liable to explode.
- Warning:** It is hazardous for anyone other than a competent person to carry out any service or repair operation that involves the removal of a cover which gives protection against exposure to microwave energy.
- This appliance can be used by children aged from 8 years and above and persons with reduced physical, sensory or mental capabilities or lack of experience and knowledge if they have been given supervision or instruction concerning use of the appliance in a safe way and understand the hazards involved. Children shall not play with the appliance. Cleaning and user maintenance shall not be made by children unless they are older than 8 and supervised.
- Keep the appliance and its cord out of reach of children less than 8 years.
- Only use utensils suitable for use in microwave ovens.
- The microwave oven should be cleaned regularly and any food deposits should be removed.
- Read and follow the specific: "PRECAUTIONS TO AVOID POSSIBLE EXPOSURE TO EXCESSIVE MICROWAVE ENERGY".
- When heating food in plastic or paper containers, keep an eye on the microwave oven due to the possibility of ignition.
- If smoke is emitted, switch off or unplug the appliance and keep the door closed in order to stifle any flames.
- Do not overcook food.
- Do not use the microwave oven cavity for storage purposes. Do not store items, such as bread, cookies, etc. inside the microwave oven.
- Remove wire twist-ties and metal handles from paper or plastic containers/bags before placing them in the microwave oven.
- Install or locate this microwave oven only in accordance with the installation instructions provided.
- Eggs in the shell and whole hard-boiled eggs should not be heated in microwave ovens since they may explode, even after microwave heating has ended.
- This appliance is intended to be used in household and similar applications such as:
 - staff kitchen areas in shops, offices and other working environments;
 - by clients in hotels, motels and other residential type environments;
 - farm houses;
 - bed and breakfast type environments.
- If the supply cord is damaged, it must be replaced by the manufacturer, its service agent or similarly qualified persons in order to avoid a hazard.
- Do not store or use this appliance outdoors.
- Do not use this microwave oven near water, in a wet basement or near a swimming pool.
- The temperature of accessible surfaces may be high when the appliance is operating. The surfaces are liable to get hot during use. Keep cord away from heated surface, and do not cover any vents on the microwave oven.
- Do not let cord hang microwave over edge of table or counter.
- Failure to maintain the microwave oven in a clean condition could lead to deterioration of the surface that could adversely affect the life of the appliance and possibly result in a hazardous situation.
- The contents of feeding bottles and baby food jars shall be stirred or shaken and the temperature checked before consumption, in order to avoid burns.

23. Microwave heating of beverages can result in delayed eruptive boiling, therefore care must be taken when handling the container.
24. The appliance is not intended for use by persons (including children) with reduced physical, sensory or mental capabilities, or lack of experience and knowledge, unless they have been given supervision or instruction concerning use of the appliance by a person responsible for their safety.
25. Children should be supervised to ensure that they do not play with the appliance.
26. The appliances are not intended to be operated by means of an external timer or separate remote-control system.
27. Accessible parts may become hot during use. Young children should be kept away.
28. Steam cleaner is not to be used.
29. During use the appliance becomes hot. Care should be taken to avoid touching heating elements inside the microwave oven.
30. Only use the temperature probe recommended for this microwave oven.
(for ovens provided with a facility to use a temperature-sensing probe.)
31. **WARNING:** The appliance and its accessible parts become hot during use. Care should be taken to avoid touching heating elements. Children less than 8 years of age shall be kept away unless continuously supervised.
32. The microwave oven must be operated with the decorative door open. (for ovens with a decorative door.)
33. The rear surface of appliance shall be placed against a wall.
34. The microwave oven shall not be placed in a cabinet unless it has been tested in a cabinet.

READ CAREFULLY AND KEEP FOR FUTURE REFERENCE

To Reduce the Risk of Injury to Persons

Grounding Installation

DANGER

Electric Shock Hazard

Touching some of the internal components can cause serious personal injury or death. Do not disassemble this appliance.

WARNING

Electric Shock Hazard

Improper use of the grounding can result in electric shock. Do not plug into an outlet until appliance is properly installed and grounded.

This appliance must be grounded. In the event of an electrical short circuit, grounding reduces the risk of electric shock by providing an escape wire for the electric current. This appliance is equipped with a cord having a grounding wire with a grounding plug. The plug must be plugged into an outlet that is properly installed and grounded.

Consult a qualified electrician or serviceman if the grounding instructions are not completely understood or if doubt exists as to whether the appliance is properly grounded. If it is necessary to use an extension cord, use only a 3-wire extension cord.

1. A short power-supply cord is provided to reduce the risks resulting from becoming entangled in or tripping over a longer cord.
2. If a long cord set or extension cord is used:
 - 1)The marked electrical rating of the cord set or extension cord should be at least as great as the electrical rating of the appliance.
 - 2)The extension cord must be a grounding-type 3-wire cord.
 - 3)The long cord should be arranged so that it will not drape over the counter top or tabletop where it can be pulled on by children or tripped over unintentionally.

CLEANING

Be sure to unplug the appliance from the power supply.

1. Clean the cavity of the microwave oven after using with a slightly damp cloth.
2. Clean the accessories in the usual way in soapy water.
3. The door frame and seal and neighbouring parts must be cleaned carefully with a damp cloth when they are dirty.
4. Do not use harsh abrasive cleaners or sharp metal scrapers to clean the microwave oven door glass since they can scratch the surface, which may result in shattering of the glass.
5. Cleaning Tip—For easier cleaning of the cavity walls that the food cooked can touch:

Place half a lemon in a bowl, add 300ml (1/2 pint) water and heat on 100% microwave power for 10 minutes.

Wipe the microwave oven clean using a soft, dry cloth.

UTENSILS

CAUTION

Personal Injury Hazard

It is hazardous for anyone other than a competent person to carry out any service or repair operation that involves the removal of a cover which gives protection against exposure to microwave energy.

See the instructions on "Materials you can use in microwave oven or to be avoided in microwave oven."

There may be certain non-metallic utensils that are not safe to use for microwaving. If in doubt, you can test the utensil in question following the procedure below.

Utensil Test:

1. Fill a microwave-safe container with 1 cup of cold water (250ml) along with the utensil in question.
2. Cook on maximum power for 1 minute.
3. Carefully feel the utensil. If the empty utensil is warm, do not use it for microwave cooking.
4. **Do not exceed 1 minute cooking time.**

Materials you can use in microwave oven

Utensils	Remarks
Aluminum foil	Shielding only. Small smooth pieces can be used to cover thin parts of meat or poultry to prevent overcooking. Arcing can occur if foil is too close to microwave oven walls. The foil should be at least 1 inch (2.5cm) away from microwave oven walls.
Browning dish	Follow manufacturer's instructions. The bottom of browning dish must be at least 3/16 inch (5mm) above the turntable. Incorrect usage may cause the turntable to break.
Dinnerware	Microwave-safe only. Follow manufacturer's instructions. Do not use cracked or chipped dishes.
Glass jars	Always remove lid. Use only to heat food until just warm. Most glass jars are not heat resistant and may break.
Glassware	Heat-resistant microwave oven glassware only. Make sure there is no metallic trim. Do not use cracked or chipped dishes.
Microwave oven cooking bags	Follow manufacturer's instructions. Do not close with metal tie. Make slits to allow steam to escape.
Paper plates and cups	Use for short-term cooking/warming only. Do not leave microwave oven unattended while cooking.
Paper towels	Use to cover food for reheating and absorbing fat. Use with supervision for a short-term cooking only.
Parchment paper	Use as a cover to prevent splattering or a wrap for steaming.
Plastic	Microwave-safe only. Follow the manufacturer's instructions. Should be labeled "Microwave Safe". Some plastic containers soften, as the food inside gets hot. "Boiling bags" and tightly closed plastic bags should be slit, pierced or vented as directed by package.
Plastic wrap	Microwave-safe only. Use to cover food during cooking to retain moisture. Do not allow plastic wrap to touch food.
Thermometers	Microwave-safe only (meat and candy thermometers).
Wax paper	Use as a cover to prevent splattering and retain moisture.

Materials to be avoided in microwave oven

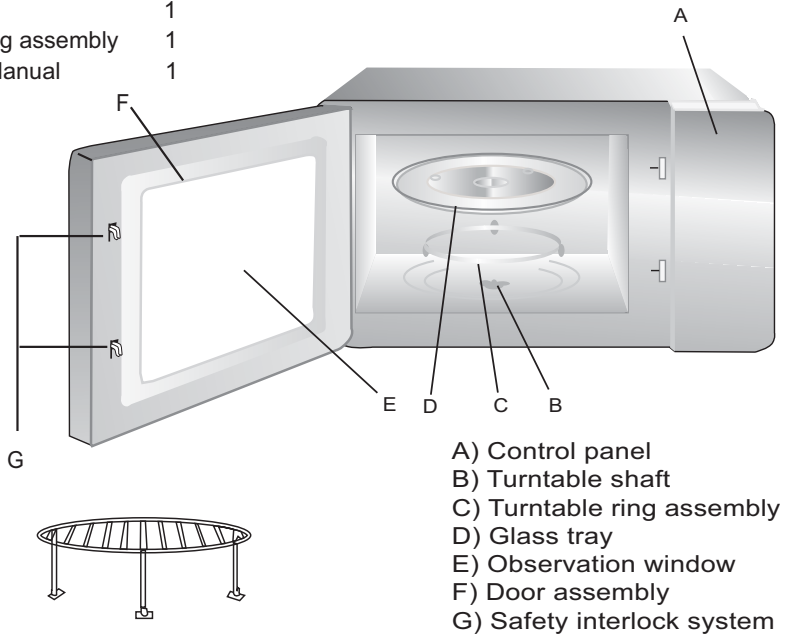
Utensils	Remarks
Aluminum tray	May cause arcing. Transfer food into microwave-safe dish.
Food carton with metal handle	May cause arcing. Transfer food into microwave-safe dish.
Metal or metal-trimmed utensils	Metal shields the food from microwave oven energy. Metal trim may cause arcing.
Metal twist ties	May cause arcing and could cause a fire in the oven.
Paper bags	May cause a fire in the microwave oven.
Plastic foam	Plastic foam may melt or contaminate the liquid inside when exposed to high temperature.
Wood	Wood will dry out when used in the microwave oven and may split or crack.

SETTING UP YOUR MICROWAVE OVEN

Names of Microwave Oven Parts and Accessories

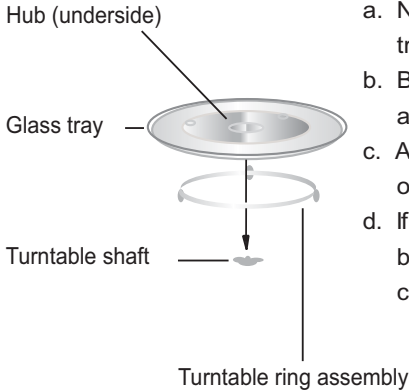
Remove the microwave oven and all materials from the carton and microwave oven cavity. Your microwave oven comes with the following accessories:

Glass tray	1
Turntable ring assembly	1
Instruction Manual	1



Grill Rack(Only be used in grill function and be placed on the glass tray)

Turntable Installation



- Never place the glass tray upside down. The glass tray should never be restricted.
- Both glass tray and turntable ring assembly must always be used during cooking.
- All food and containers of food are always placed on the glass tray for cooking.
- If glass tray or turntable ring assembly cracks or breaks, contact your nearest authorized service center.

Countertop Installation

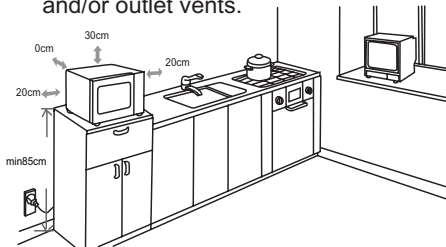
Remove all packing material and accessories. Examine the microwave oven for any damage such as dents or broken door. Do not install if microwave oven is damaged.

Cabinet: Remove any protective film found on the microwave oven cabinet surface.

Do not remove the light brown Mica cover that is attached to the microwave oven cavity to protect the magnetron.

Installation

1. Select a level surface that provide enough open space for the intake and/or outlet vents.



- (1) **The minimum installation height is 85cm.**
- (2) **The rear surface of appliance shall be placed against a wall. Leave a minimum clearance of 30cm above the microwave oven, a minimum clearance of 20cm is required between the microwave oven and any adjacent walls.**
- (3) **Do not remove the legs from the bottom of the microwave oven.**

- (4) Blocking the intake and/or outlet openings can damage the microwave oven.
 - (5) Place the microwave oven as far away from radios and TV as possible. Operation of microwave oven may cause interference to your radio or TV reception.
2. Plug your microwave oven into a standard household outlet. Be sure the voltage and the frequency is the same as the voltage and the frequency on the rating label.

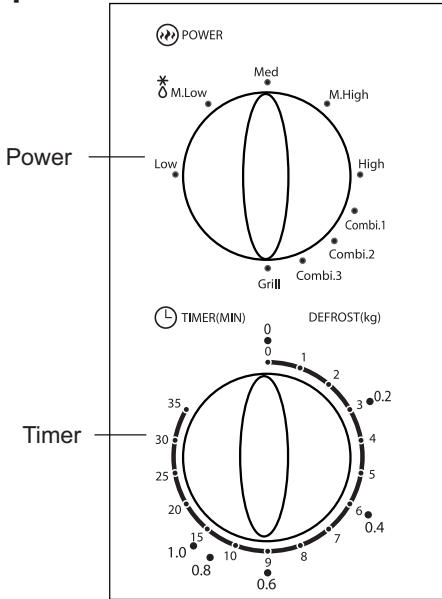
WARNING: Do not install microwave oven over a range cooktop or other heat-producing appliance. If installed near or over a heat source, the microwave oven could be damaged and the warranty would be void.

The accessible surface may be hot during operation.



OPERATION

Control Panel and Features Operation Instructions



1. To set cooking power by turning the power knob to desired level.
2. To set the time of cooking by turning the timer knob to desired time per your food cooking guide.
3. The microwave oven will automatically start cooking after power level and time are set.
4. After the cooking time is up, the unit will "Dong" to stop.
5. If the unit is not in use, always set time to "0".

Function/Power	Output	Application
Low	17% micro.	Soften ice cream
Med. Low (Defrost)	33% micro.	Soup stew, soften butter or defrost
Med.	55% micro.	Stew, fish
Med. High	77% micro.	Rice, fish, chicken, ground meat
High	100% micro.	Reheat, milk, boil water, vegetables, beverage

Function/Power	Output	Application
Combi.1	80% grill 20% micro.	Sausage, Lamb, Kabobs, Seafood, Steak
Combi.2	70% grill 30% micro.	Chicken pieces, Chicken breasts, Pork chops
Combi.3	60% grill 40% micro.	Whole chicken
Grill	100% grill	Baken bread, Slice food

Notice: When removing food from the microwave oven, please ensure that the microwave oven power is switched off by turning the timer switch to 0 (zero). Failure to do so, and operating the microwave oven without food in it, can result in overheating and damage to the magnetron.

Trouble shooting

Normal	
Microwave oven interfering TV reception	Radio and TV reception may be interfered when microwave oven operating. It is similar to the interference of small electrical appliances, like mixer, vacuum cleaner, and electric fan. It is normal.
Dim oven light	In low power microwave cooking, oven light may become dim. It is normal.
Steam accumulating on door, hot air out of vents	In cooking, steam may come out of food. Most will get out from vents. But some may accumulate on cool place like oven door. It is normal.
Oven started accidentally with no food in.	It is forbidden to run the unit without any food inside. It is very dangerous.

Trouble	Possible Cause	Remedy
Oven can not be started.	(1) Power cord not plugged in tightly.	Unplug. Then plug again after 10 seconds.
	(2) Fuse blowing or circuit breaker works.	Replace fuse or reset circuit breaker (repaired by professional personnel of our company)
	(3) Trouble with outlet.	Test outlet with other electrical appliances.
Oven does not heat.	(4) Door not closed well.	Close door well.
Glass turntable makes noise when microwave oven operates	(5) Dirty roller rest and oven bottom.	Refer to "Maintenance of Microwave" to clean dirty parts.



According to Waste of Electrical and Electronic Equipment (WEEE) directive, WEEE should be separately collected and treated. If at any time in future you need to dispose of this product please do NOT dispose of this product with household waste. Please send this product to WEEE collecting points where available.



Horno Microondas

MANUAL DE INSTRUCCIONES

Modelo: SY-MW31G



Antes de utilizar su horno microondas lea estas instrucciones detalladamente, y consérvelas para futuras consultas.

Si sigue estas instrucciones, su horno microondas le prestará un buen servicio durante muchos años.

Enhorabuena por la compra de su nuevo Microondas SY-MW31G.

Con el fin de beneficiarse plenamente de este producto, lea detenidamente las instrucciones de uso. Guarde este manual en un lugar seguro para futuras consultas.

PRECAUCIONES PARA EVITAR LA POSIBLE EXPOSICIÓN A UNA EXCESIVA ENERGÍA DE MICROONDAS

- (a) No intente hacer funcionar este horno microondas con la puerta abierta, ya que puede producirse una exposición peligrosa a las microondas. Es importante no forzar o manipular los cierres de seguridad.
- (b) No coloque ningún objeto entre el frente del horno microondas y la puerta ni deje que se acumulen suciedad o restos de limpiador en las superficies de sellado.
- (c) ADVERTENCIA: Si la puerta o sus juntas están dañadas, el horno microondas no debe utilizarse hasta que haya sido reparado por una persona cualificada.

IMPORTANTE

Si el aparato no se limpia adecuadamente, su superficie puede degradarse acortando el tiempo de vida útil del mismo y puede crearse una situación de peligrosidad.

Especificaciones

Modelo:	SY-MW31G
Alimentación eléctrica:	230 V ~ 50 Hz
Consumo Nominal:	1050 W
Salida de Potencia Nominal:	700 W
Potencia del Grill:	1000 W
Capacidad del Horno microondas:	20 litros
Diámetro del Plato Giratorio:	∅ 255 mm
Dimensiones externas (largo x ancho x alto):	439.5 mm X 355 mm X 258.2 mm
Peso neto:	10.7 kg. aproximadamente

Instrucciones importantes de seguridad

ADVERTENCIA Para reducir el riesgo de incendio, descargas eléctricas, lesiones a las personas, o exposición excesiva a las microondas cuando se utilice el aparato, siga las siguientes precauciones básicas:

1. **¡Atención!** Los líquidos u otros alimentos no deben ser calentados jamás en recipientes sellados ya que podrían estallar.
2. **¡Atención!** Es peligroso, para quien no sea un técnico autorizado, quitar la cobertura de protección que garantiza la protección de la exposición a la energía de microondas.
3. **¡Atención!** Permita el uso del horno microondas a los menores sólo después de haberles impartido las instrucciones que les permitan usar el horno microondas de forma segura y cuando hayan comprendido los peligros que corren usándolo de manera incorrecta.
4. **¡Atención!** Si utiliza el horno microondas de forma combinada, los menores deberían usarlo sólo bajo la supervisión de un adulto debido a la temperatura que se genera (sólo para la serie con grill).
5. Utilice solamente utensilios adecuados para ser usados con hornos microondas.
6. El horno microondas debe limpiarse con regularidad y se debe quitar cualquier tipo de resto de alimento.
7. Lea y respete las "PRECAUCIONES PARA EVITAR POSIBLES EXPOSICIONES EXCESIVAS A LA ENERGÍA DE MICROONDAS"
8. Cuando caliente alimentos en recipientes de plástico o de papel, vigile el horno ya microondas ya que se podría incendiar.
9. Si ve que hay humo, apague y desconecte el horno microondas de la toma de corriente y mantenga la puerta cerrada para apagar una posible llama.
10. No cueza excesivamente los alimentos.
11. No utilice el interior del horno microondas como recipiente. No deje productos como pan, bizcochos, etc. en el interior del horno microondas.
12. Quite los cierres metálicos y las asas de metal de los recipientes/bolsas de papel o de plástico antes de colocarlos en el horno microondas.
13. Instale o coloque el horno microondas siguiendo las instrucciones para la instalación suministradas.
14. Los huevos con cáscara y los huevos duros no deben calentarse en el horno microondas porque podrían estallar, incluso después de haber terminado el calentamiento en el microondas.
15. Utilice este electrodoméstico sólo para los usos descritos en este manual. No utilice agentes o vapores corrosivos en este electrodoméstico. Este horno microondas ha sido diseñado para calentar, no para ser usado en industrias o en laboratorios.
16. Si el cable original del aparato se ha dañado, debe ser sustituido por el fabricante, por el servicio de mantenimiento o por personal cualificado para prevenir cualquier situación de peligro.
17. No guarde y no utilice este electrodoméstico al aire libre.
18. No utilice este horno microondas cerca del agua, del fregadero mojado o cerca de una piscina.
19. La temperatura de las superficies accesibles podría ser elevada durante el funcionamiento del electrodoméstico. Mantenga el cable de alimentación lejos de superficies calientes y no cubra el horno microondas por ninguna razón.
20. No deje que el cable de alimentación quede colgando sobre el borde de la mesa o de la superficie de trabajo.
21. Si no se siguen las indicaciones de limpieza, se podrían dañar las superficies y ello podría acortar la vida del electrodoméstico, además de provocar situaciones peligrosas.
22. Mezcle o agite siempre el contenido de biberones y recipientes para alimentos de los bebés y controle la temperatura de los mismos para evitar quemaduras.
23. El calentamiento de bebidas en el microondas podría provocar un proceso de ebullición retardada; por lo tanto tenga cuidado cuando mueva el recipiente.
24. No utilizar limpiadores a vapor.
25. Durante el uso, el aparato se calienta. Tenga cuidado de no tocar elementos calientes dentro del horno microondas.
26. Las partes accesibles podrían calentarse durante el uso. Mantener lejos del alcance de los niños pequeños.
27. No utilice limpiadores abrasivos o ásperos ni raspadores metálicos para limpiar el cristal de la puerta del horno microondas, ya que podrían rayar la superficie, que se podría romper.

Para reducir el riesgo de daños a las personas

Toma de tierra

PELIGRO

Peligro de descargas eléctricas. El contacto con ciertos componentes internos puede producir lesiones graves o incluso la muerte. No desmonte el microondas.

ADVERTENCIA

Peligro de descargas eléctricas. El uso inadecuado de la toma de tierra puede producir descargas eléctricas. No enchufe el aparato hasta que esté correctamente instalado en un enchufe con toma de tierra.

LIMPIEZA

Asegurese de que el horno microondas esté desconectado de la red.

1. Limpie el interior del horno microondas con un paño ligeramente húmedo tras utilizarlo.
2. Limpie los accesorios como hace habitualmente en agua con detergente.
3. El marco de la puerta, la junta y las piezas cercanas han de limpiarse cuidadosamente con un paño húmedo cuando estén sucias.

Este electrodoméstico debe instalarse con toma de tierra. En el caso de que se produzca un cortocircuito, la toma de tierra reduce el riesgo de descarga eléctrica por la existencia de un cable por el que puede escaparse la corriente eléctrica. Este electrodoméstico está equipado con un cable que tiene un conductor de tierra y un enchufe con toma de tierra. El enchufe debe introducirse en una toma que esté adecuadamente instalada y disponga de toma de tierra.

Consulte a un electricista cualificado o a un técnico de mantenimiento si no comprende totalmente las instrucciones sobre la toma de tierra o si tiene alguna duda sobre la forma en que el electrodoméstico queda correctamente conectado a tierra. Si fuera necesario un cable alargador, use solamente un alargador de tres hilos.

1. Se facilita un cable de alimentación corto para reducir el riesgo de que se enrede o enganche si fuera más largo.
2. Si se usa un conector múltiple o un cable alargador:
 - 1) Las características eléctricas nominales del conector o cable alargador deben ser iguales a las características eléctricas nominales del electrodoméstico.
 - 2) El cable alargador debe ser del tipo de 3 hilos con toma de tierra.
 - 3) El cable alargador debe disponerse de forma que no quede por encima de la mesa o encimera, de manera que los niños no puedan tirar de él o pueda engancharse sin querer.

UTENSILIOS

Véanse las instrucciones sobre "Materiales que pueden usarse o deben evitarse en el horno microondas." Algunos utensilios no metálicos pueden no ser seguros para su uso en un horno microondas. En caso de dudas, puede probar el utensilio en cuestión aplicando el procedimiento que se describe a continuación.

PRECAUCIÓN

Peligro de lesiones personales

Es peligroso para cualquiera que no esté cualificado realizar reparaciones o mantenimiento que supongan retirar la tapa de mica que protege de la exposición a las microondas.

Prueba de utensilios:

1. Llene un recipiente apto para horno microondas con un vaso de agua fría (250 ml) e introdúzcalo en el horno microondas con el utensilio en cuestión
2. Cocine a la potencia más alta durante 1 minuto.
3. Toque con cuidado el utensilio. Si está caliente, no lo utilice para cocinar en el horno microondas.
4. No supere 1 minuto de cocción.

Materiales que pueden usarse en el horno microondas

Utensilios	Observaciones
Papel de aluminio	Para protección solamente. Pueden usarse piezas pequeñas y lisas para cubrir piezas delgadas de carne de vacuno o ave para evitar la sobrecocción. Si el papel de aluminio estuviera muy cerca de las paredes del horno microondas podría formarse un arco eléctrico. El papel debe colocarse a una distancia de al menos 2,5 cm de las paredes del horno microondas.
Plato Tostador	Seguir las instrucciones del fabricante. El fondo del plato tostador debe estar al menos a 3/16 pulgadas (5mm) por encima del plato giratorio. El uso incorrecto puede dar lugar a que se rompa dicho plato.
Menaje	Use sólo menaje apto para hornos microondas. Siga las instrucciones del fabricante. No utilice platos rotos o dañados.
Frascos de vidrio	Retire siempre la tapa. Utilícelos solo para calentar los alimentos hasta que estén templados. La mayoría de los frascos de vidrio no son resistentes al calor y pueden romperse.
Vajilla de vidrio	Utilice solo vajilla de vidrio resistente al calor del horno microondas. Asegúrese de que no tenga adornos metálicos. No utilice platos rotos o dañados.
Bolsas de cocinar	Sigas las instrucciones del fabricante. No las cierre con tiras metálicas. Haga unos cortes para dejar salir el vapor.
Platos y vasos de papel	Utilícelos solamente para un calentamiento o cocción cortos. No desatienda el horno microondas mientras cocina.
Papel de cocina	Utilícelo para cubrir los alimentos y para recalentar y absorber la grasa. Utilícelo bajo supervisión y durante periodos de cocción cortos.
Papel vegetal	Utilícelo como tapa para evitar salpicaduras o como envoltura para cocinar al vapor.
Plástico	Utilice solo plástico apto para hornos microondas. Siga las instrucciones del fabricante. Debe llevar una etiqueta de "Apto para microondas". Algunos recipientes de plástico se ablandan a medida que se calienta el alimento en su interior. Las "bolsas para hervir" y las bolsas de plástico totalmente cerradas deben rasgarse, pincharse o ventilarse según se indica en el envoltorio.
Envoltorios	Utilice solo envoltorios aptos para horno microondas. Se usan para tapar los alimentos
Termómetros	Utilice solo termómetros aptos para hornos microondas (termómetros para carne y dulces).
Papel encerado	Utilícelo como tapa para evitar salpicaduras y retener la humedad.

Materiales que hay que evitar en el horno microondas

Utensilios	Observaciones
Bandejas de aluminio	Pueden formar arco eléctrico. Pase los alimentos a un plato apto para horno microondas.
Envase de cartón para alimentos con mango de metal	Pueden formar arco eléctrico. Pase los alimentos a un plato apto para horno microondas.
Utensilios metálicos o con adornos metálicos	El metal impide el paso de la energía de microondas hacia los alimentos. Los adornos metálicos pueden formar arco eléctrico.
Tiras de atar metálicas	Pueden formar arco eléctrico e incendiarse dentro del horno microondas
Bolsas de papel	Pueden incendiarse dentro del horno microondas.
Poliespán	El poliespán puede fundirse o contaminar los líquidos cuando se exponen a altas temperaturas.
Madera	La madera se secará si se introduce en el horno microondas y puede partirse o agrietarse.

AJUSTE DEL HORNO MICROONDAS

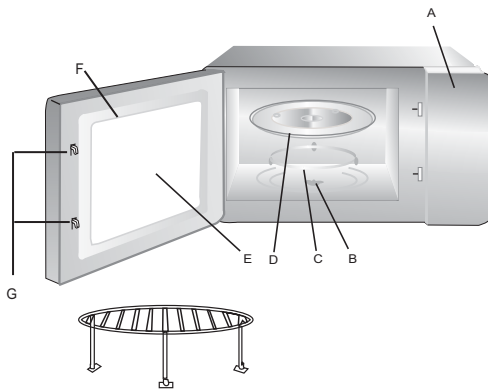
Nombre de las piezas y accesorios del horno microondas

Retire el horno microondas y todos los materiales de su embalaje de cartón y de su interior.

El horno microondas se suministra con los siguientes accesorios:

Bandeja de vidrio	1
Conjunto del aro giratorio	1
Manual de instrucciones	1

- A) Panel de control
- B) Eje giratorio
- C) Conjunto del aro giratorio
- D) Bandeja de vidrio
- E) Ventana de observación
- F) Conjunto de la puerta
- G) Sistema de cierre de seguridad



Grill (exclusivamente en la serie con grill)

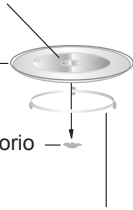
INSTALACIÓN DEL PLATO GIRATORIO

Cubo central (cara de abajo)

Bandeja de vidrio

Eje giratorio

Conjunto del aro giratorio



- No ponga nunca la bandeja de vidrio boca abajo. La bandeja de vidrio debe poder moverse siempre.
- Para la cocción deben usarse siempre la bandeja de vidrio y el conjunto del aro giratorio
- Todos los alimentos y sus recipientes deben ponerse siempre sobre la bandeja de vidrio para la cocción.
- Si la bandeja de vidrio o el conjunto del aro giratorio se rompen o agrietan, póngase en contacto con el centro de servicio autorizado más cercano.

Instalación en la encimera

Retire todo el material de embalaje y los accesorios.

Revise el horno microondas en busca de daños, como puerta con abolladuras o rota. No instale el horno microondas si está dañado.

Carcasa: retire la película de protección de la superficie de la carcasa.

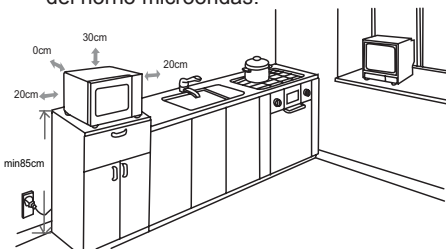
No retire la tapa de color marrón claro de mica fijada en la cavidad del horno microondas para proteger el magnetrón

Instalación

1. Escoja una superficie nivelada que tenga espacio suficiente para los venteos de entrada y/o salida.

Se requiere un espacio mínimo de 20 cm entre el horno y la pared adyacente.

- Deje un espacio mínimo de 30 cm por encima del horno microondas.
- No quite las patas de la parte de abajo del horno microondas.



- El bloqueo de las aberturas de entrada y/o salida pueden dañar el horno microondas.
 - Coloque el horno tan lejos como sea posible de radios y televisores. El funcionamiento del horno microondas puede causar interferencias en la recepción de las emisiones de radio o TV.
2. Enchufe el horno microondas en una toma doméstica convencional. Asegúrese de que la tensión y la frecuencia es la misma que la tensión y frecuencia indicada en la etiqueta del aparato.

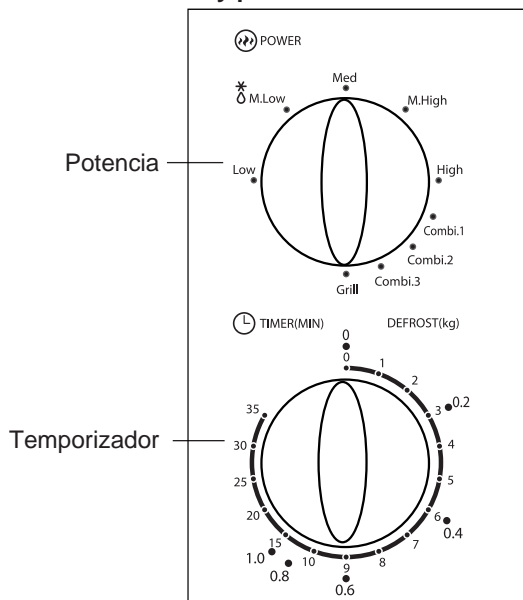
ADVERTENCIA: No instale el horno microondas sobre una placa de cocina u otro electrodoméstico que produzca calor. Si se instala cerca o sobre una fuente de calor, el horno microondas podría dañarse invalidando así su garantía.

La superficie accesible puede estar caliente durante el funcionamiento



FUNCIONAMIENTO

Panel de Control y prestaciones



1. Ajustar la potencia de cocción girando el mando de potencia al nivel deseado.
2. Ajustar el tiempo de cocción girando el mando del temporizador al tiempo deseado según su receta.
3. El horno microondas empezará la cocción automáticamente tras ajustar la potencia y el tiempo.
4. Una vez transcurrido el tiempo de cocción, en la unidad sonará un "Ding" al parar.
5. Si la unidad no está en uso, poner siempre el tiempo a "0" .

Función/potencia	Salida (%)	Potencia	Aplicación
Baja potencia	17 % microondas	119W	Mantener la temperatura de los alimentos, ablandar helados
Descongelación (potencia media-baja)	33 % microondas	231W	Descongelar
Potencia media	55 % microondas	385W	Cocinar pasteles cremosos, dorar alimentos
Potencia media-alta	77 % microondas	539W	Arroz, pescado y marisco, galletas, carne
Alta potencia	100 % microondas	700W	Recalentar, hervir agua, cocinar verduras frescas, pollo, pato, calentar bebidas no lácteas
Grill	100 % grill	1000W	Asar, filetes de pescado ahumado, carnes, aves
Combinación 1 (alta)	80 % grill + 20 % micro	800W grill+140W micro	Filetes, chuletas de cerdo, carne, aves, etc., estilo convencional
Combinación 2 (media)	70 % grill + 30 % micro	700W grill+210W micro	Filetes, chuletas de cerdo, carne, etc., estilo chino
Combinación 3 (baja)	60 % grill + 40 % micro	600W grill+280W micro	Pollo, pato, carne, crujiente y sabrosa.

Detección de averías

Normal	
El horno microondas interfiere con la recepción de la TV	Las emisiones de radio y televisión pueden verse interferidas cuando el horno microondas esté en funcionamiento. Es similar a las interferencias de los pequeños electrodomésticos, como batidoras, aspiradoras y ventiladores.
La luz del horno microondas es tenue	Al cocinar a baja potencia, la luz del horno microondas puede atenuarse. Es normal
Se acumula vapor en la puerta. Sale aire caliente por los respiraderos	Al cocinar, puede salir vapor de los alimentos. La mayor parte de éste sale por los venteos. Pero algo puede quedarse acumulado en un lugar más fresco como la puerta del horno microondas. Es normal.
El horno microondas se enciende accidentalmente sin alimentos dentro.	No se producen daños en el horno microondas si éste funciona vacío un corto período de tiempo. Sin embargo, debe evitarse.

Problema	Causa Posible	Remedio
El horno microondas no se enciende	(1) El cable de alimentación no está bien enchufado	Desenchúfelo. Vuélvalo a enchufar transcurridos 10 segundos.
	(2) El fusible se ha fundido o ha actuado el interruptor	Sustituya el fusible o resetee el interruptor (solo personal cualificado).
	(3) Problema con la alimentación eléctrica	Pruebe la alimentación eléctrica con otros electrodomésticos.
El horno microondas no calienta	(4) La puerta no está bien cerrada	Cierre bien la puerta.
El plato giratorio hace ruido cuando funciona el horno microondas	(5) El rodillo giratorio y el fondo del horno microondas están sucios	Consulte "Mantenimiento del horno microondas" para limpiar las partes sucias.



Según la directiva *Waste of Electrical and Electronic Equipment (WEEE)*, los residuos WEEE han de recogerse y tratarse por separado. Si, en el futuro, necesita desprenderse de este producto, NO lo ponga en los residuos domésticos, envíelo a los puntos de recogida WEEE si existen

Nombre del fabricante: Satyatrade S. L.
Dirección: Pol. Ind. La Raya. C/ Guadalquivir, 2.
Camarma de Esteruelas, 28816 Madrid
Tel: 902 430 967
Fax: 91 8864285
NIF: B83254763
País de origen: China
Sytech® SY-MW31G

Este producto cumple con las siguientes directivas:

Directiva EMC: 2004/108/EC

LVD: Low Voltage Directive: 2006/95/EC

RoHS standard: 2011/65/EU. Prevención de sustancias peligrosas.

Firmado: Ajeet Nebhwani Utamchandani
Administrador único

