

**GB**

**English, 1**

**IT**

**Italiano, 13**

**WITE 107**

### Contents

#### **Installation, 2-3**

Unpacking and levelling, 2  
Electric and water connections, 2-3  
The first wash cycle, 3  
Technical details, 3

#### **Washing machine description, 4-5**

Control panel, 4  
How to open and shut the drum, 4  
Display, 5  
“MEMO” Programme, 5

#### **Starting and Programmes, 6**

Briefly: how to start a programme, 6  
Programme table, 6

#### **Personalisations, 7**

Setting the spin cycle, 7  
Setting the Delay Timer, 7  
Setting the temperature, 7  
Functions, 7

#### **Detergents and laundry, 8**

Detergent dispenser, 8  
Bleach cycle, 8  
Preparing your laundry, 8  
Special items, 8

#### **Precautions and advice, 9**

General safety, 9  
Disposal, 9  
Saving energy and respecting the environment, 9

#### **Care and maintenance, 10**

Cutting off the water or electricity supply, 10  
Cleaning your appliance, 10  
Cleaning the detergent dispenser, 10  
Caring for your appliance door and drum, 10  
Cleaning the pump, 10  
Checking the water inlet hose, 10  
Cleaning the detergent dispenser, 10

#### **Troubleshooting, 11**

#### **Service, 12**

Before calling for Assistance, 12

**GB**

# Installation

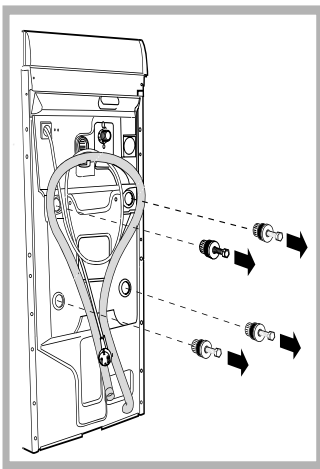
GB

! Keep this instruction manual in a safe place for future reference. Should the appliance be sold, transferred or moved, make sure the instruction manual accompanies the washing machine to inform the new owner as to its operation and features.

! Read these instructions carefully: they contain vital information on installation, use and safety.

## Unpacking and levelling

### Unpacking



1. Unpack the washing machine.
2. Check whether the washing machine has been damaged during transport. If this is the case, do not install it and contact your retailer.
3. Remove the four protective screws and the rubber washer with the respective spacer, situated on the rear of the appliance (see figure).
4. Seal the gaps using

the plastic plugs provided.

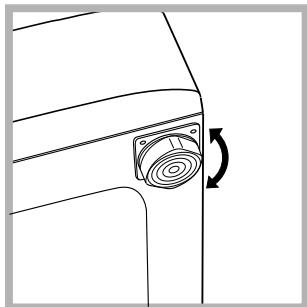
5. Keep all the parts: you will need them again if the washing machine needs to be moved to another location.

Warning: should the screws be re-used, make sure you fasten the shorter ones at the top.

! Packaging materials are not children's toys.

### Levelling

Your machine may make a considerable amount of noise if the two front feet have not been adjusted correctly.

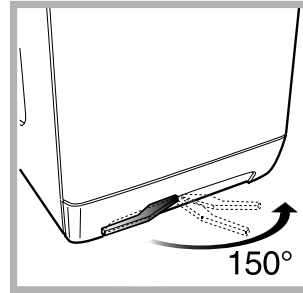


1. Install the washing machine on a flat sturdy floor, without resting it up against walls, furniture cabinets or other.
2. If the floor is not perfectly level, compensate for any unevenness by tightening or loosening the adjustable front feet (see figure); the angle of

inclination, measured according to the worktop, must not exceed 2°.

Levelling your appliance correctly will provide it with stability and avoid any vibrations, noise and shifting during operation. If it is placed on a fitted or loose carpet, adjust the feet in such a way as to allow enough room for ventilation beneath the washing machine.

### Putting your appliance in place and moving it.

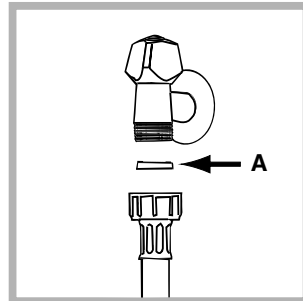


If your washing machine is equipped with a special set of retractable wheels you can easily move it. To lower the wheels and thus move the appliance effortlessly, just pull the lever, situated on the left-hand side beneath the

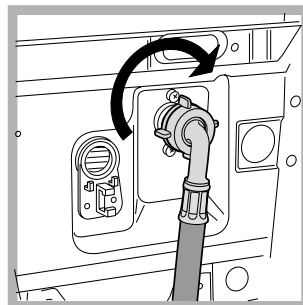
base. Once the appliance is in the required position, put the lever back in place. The washing machine is now firmly in place (see figure).

## Electric and water connections

### Connecting the water inlet hose



1. Insert seal A into the end of the inlet hose and screw the latter onto a cold water tap with a 3/4 gas threaded mouth (see figure). Before making the connection, allow the water to run freely until it is perfectly clear.



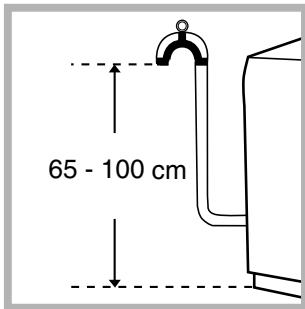
2. Connect the other end of the water inlet hose to the washing machine, screwing it onto the appliance's cold water inlet, situated on the top right-hand side on the rear of the appliance (see figure).

3. Make sure there are no kinks or bends in the hose.

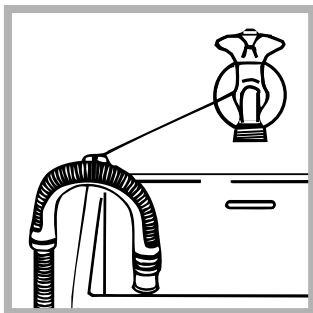
! The water pressure at the tap must be within the values indicated in the Technical details table (on the next page).

! If the water inlet hose is not long enough, contact a specialist store or an authorised serviceman.

### Connecting the drain hose



Connect the drain hose, without bending it, to a draining duct or a wall drain situated between 65 and 100 cm from the floor;



alternatively, place it over the edge of a basin, sink or tub, fastening the duct supplied to the tap (see figure). The free end of the hose should not be underwater.

! We advise against the use of hose extensions; in case of absolute need, the extension must have the same diameter as the original hose and must not exceed 150 cm in length.

### Electric connection

Before plugging the appliance into the mains socket, make sure that:

- the socket is earthed and in compliance with the applicable law;
- the socket is able to sustain the appliance's maximum power load indicated in the Technical details table (*on the right*);
- the supply voltage is included within the values indicated on the Technical details table (*on the right*);
- the socket is compatible with the washing machine's plug. If this is not the case, replace the socket or the plug.

! The washing machine should not be installed in an outdoor environment, not even when the area is sheltered, because it may be very dangerous to leave it exposed to rain and thunderstorms.

! When the washing machine is installed, the mains socket must be within easy reach.

! Do not use extensions or multiple sockets.

! The power supply cable must never be bent or dangerously compressed.

! The power supply cable must only be replaced by an authorised serviceman.

Warning! The company denies all liability if and when these norms are not respected.

### The first wash cycle

Once the appliance has been installed, and before you use it for the first time, run a wash cycle with detergent and no laundry, setting the 90°C programme without a pre-wash cycle.

### Technical details

<b>Model</b>	WITE 107
<b>Dimensions</b>	40 cm wide 85 cm high 60 cm deep
<b>Capacity</b>	from 1 to 5 kg
<b>Electric connections</b>	voltage 220/230 Volts 50 Hz maximum absorbed power 1850 W
<b>Water connections</b>	maximum pressure 1 MPa (10 bar) minimum pressure 0.05 MPa (0.5 bar) drum capacity 42 litres
<b>Spin speed</b>	up to 1000 rpm
<b>Control programmes according to IEC456 directive</b>	programme 2; temperature 60°C; run with a load of 5 kg.



This appliance is compliant with the following European Community Directives:  
- 73/23/CEE of 19/02/73 (Low Voltage) and subsequent amendments  
- 89/336/CEE of 03/05/89 (Electromagnetic Compatibility) and subsequent amendments  
- 2002/96/CE

GB

Installation

Description

Programmes

Detergents

Precautions

Care

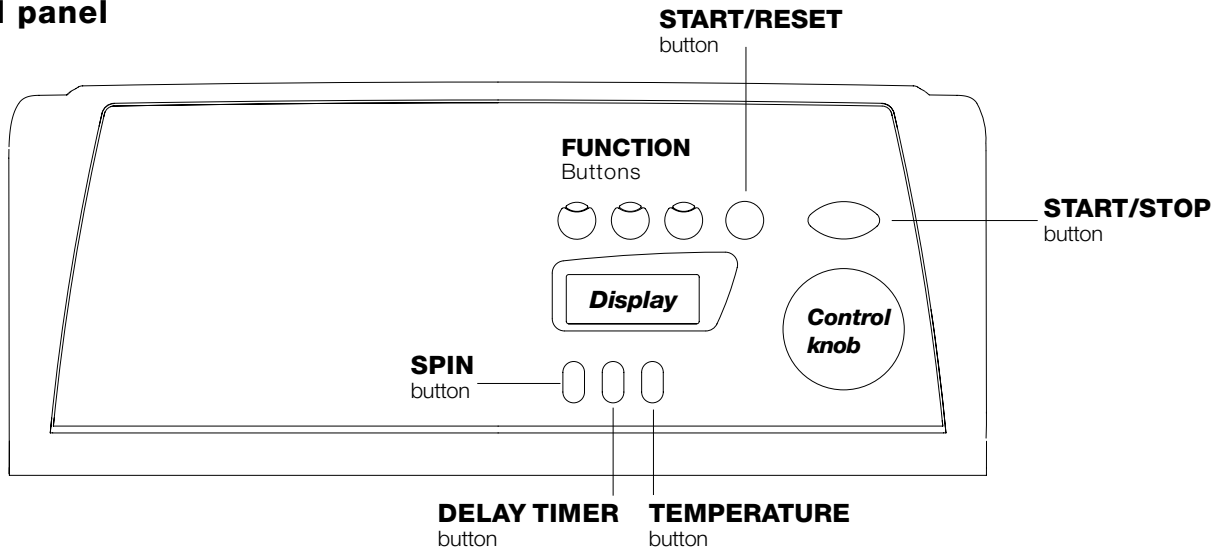
Troubleshooting

Service

# Washing machine description

GB

## Control panel



**Detergent dispenser** to add detergent and fabric softener (see page 8).

**SPIN (\*)** button to adjust the spin speed or exclude it altogether (see page 7).

**DELAY TIMER** button to delay the start of the set programme for a maximum period of 24 hours (see page 7).

**TEMPERATURE** button to adjust the wash temperature (see page 7).

**Display** to programme the washing machine and follow the wash cycle progress (see opposite page).

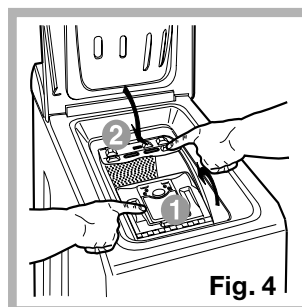
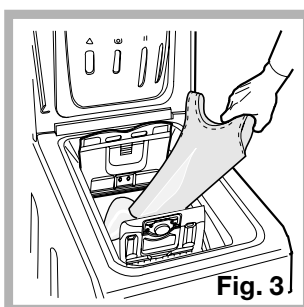
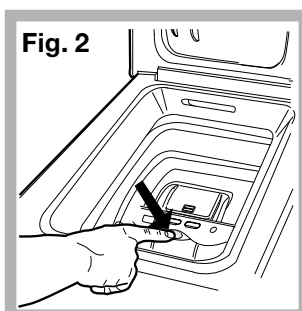
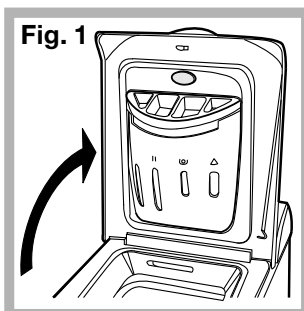
**FUNCTION** buttons: to select the functions available. The button corresponding to the function selected will remain on.

**START/RESET** button to start the programmes or cancel any incorrect settings.

**START/STOP** button to turn the washing machine on and off.

**Control knob** to select the wash programmes. The knob stays still during the cycle.

## How to open and to close the drum



### A) Opening (Fig. 1).

Lift the external lid and open it completely.

### B) Opening the drum (Soft opening):

With one finger, push the button indicated in fig. 2 and the drum will open delicately.

### C) Loading the washing machine. (Fig. 3).

### D) Shutting (Fig. 4).

- close the drum fully by first shutting the front door followed by the rear one;
- then ensure the hooks on the front door are perfectly housed within the seat of the rear door;
- after the hooks have clicked into position, press both doors lightly downwards to make sure they do not come loose;
- finally shut the external lid.

## Display

In addition to being a practical tool to programme your appliance (see page 7), the display provides useful information concerning the wash cycle.



Once you have pressed the START/RESET button to start the programme, the display will indicate the amount of time left until the end of the wash cycle. If a delayed start has been set (using the Delay Timer, see page 7), the delay time will be indicated on the display.

### Door lock:


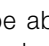
If the symbol is on, the washing machine door is locked to prevent it from being opened accidentally. To avoid any damages, wait for the symbol to switch itself off before you open the appliance door.

At the end of the programme, the word "End" is displayed.

! The machine is locked and the display flashes, indicating an error code (e.g. F-01, F-..).  
In the event of an anomaly see page 11-12.

### "MEMO" Programme

This programme allows you to store your favourite or most-used wash cycle.

All you have to do is set the desired programme and, once it has started, turn the KNOB to position ; the wash cycle will be stored automatically and the word MEMO appears on the display, flashing for a few seconds. Subsequently, you can start the "MEMO" cycle by simply turning the KNOB to position ; you will be able to see the temperature/spin cycle/delay timer values by pressing the corresponding buttons; you will also be able to modify them but this variation will only be valid for the programme in progress and it will not be stored in the "MEMO" cycle.

If you want to store a new wash cycle, repeat the above-mentioned operations.

### (\*)

To avoid excessive vibrations, before every spin cycle the machine distributes the load in a uniform manner by continuously rotating the drum at a speed which is slightly faster than the normal washing speed. When, despite repeated attempts, the load is still not evenly distributed, the machine spins at a lower speed than the set frequency.

If the load is excessively unbalanced, the machine attempts to distribute it instead of spinning. The balancing attempts may extend the total duration of the cycle, up to a maximum of 10 minutes.

GB

Installation

Description

Programmes

Detergents

Precautions

Care



Troubleshooting

Service





# Starting and Programmes

GB

## Briefly: starting a programme

1. Turn the washing machine on by pressing button .
2. Load your laundry into the washing machine, add the detergent and any fabric softener (see page 8) and shut the appliance door.
3. Set the knob to the desired programme. The estimated duration of the selected programme is displayed. The temperature and spin speed are automatically set according to the programme (to change them, see page 7).
4. Select any functions (see page 7).
5. Start the programme by pressing the START/RESET button.  
To cancel it, keep the START/RESET button pressed for at least 2 seconds.
6. When the programme has ended, the word "End" is displayed. Take out your laundry and leave the appliance door ajar to allow the drum to dry thoroughly.
7. Turn the washing machine off by pressing button .

## Programme table

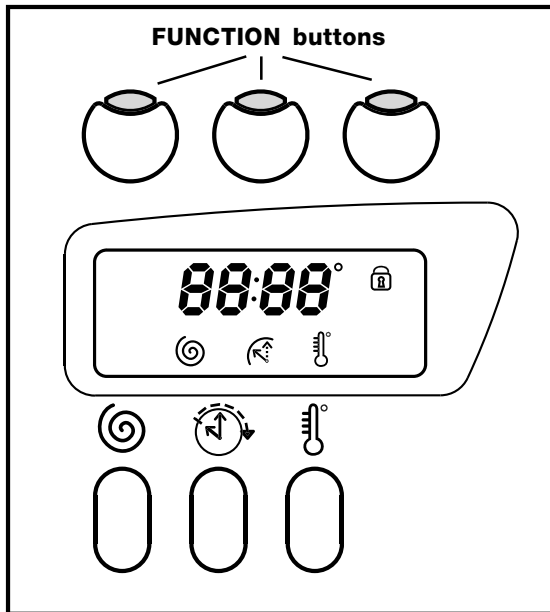
Type of fabric and degree of soil	Programmes	Temperature	Detergent		Fabric softener	Stain removal option/bleach	Cycle length (minutes)	Description of wash cycle
			pre-wash	wash				
<b>Standard</b>								
<b>Cotton:</b> Extremely soiled whites (sheets, tablecloths, etc.)	1	90°C	•	•	•		137	Pre-wash, wash cycle, rinse cycles, intermediate and final spin cycles
<b>Cotton:</b> Extremely soiled whites (sheets, tablecloths, etc.)	2	90°C		•	•	Delicate/Traditional	129	Wash cycle, rinse cycles, intermediate and final spin cycles
<b>Cotton:</b> Heavily soiled whites and fast colours	2	60°C		•	•	Delicate/Traditional	139	Wash cycle, rinse cycles, intermediate and final spin cycles
<b>Cotton:</b> Heavily soiled whites and delicate colours	2	40°C		•	•	Delicate/Traditional	131	Wash cycle, rinse cycles, intermediate and final spin cycles
<b>Cotton:</b> Slightly soiled whites and delicate colours (shirts, jumpers, etc.)	3	40°C		•	•	Delicate/Traditional	78	Wash cycle, rinse cycles, intermediate and final spin cycles
<b>Synthetics:</b> Heavily soiled fast colours (baby linen, etc.)	4	60°C		•	•	Delicate	79	Wash cycle, rinse cycles, anti-crease or delicate spin cycle
<b>Synthetics:</b> Heavily soiled fast colours (baby linen, etc.)	4	40°C		•	•	Delicate	65	Wash cycle, rinse cycles, anti-crease or delicate spin cycle
Wool - Hand wash	5	40°C		•	•		51	Wash cycle, rinse cycles, anti-crease and delicate spin cycle
Very delicate fabrics (curtains, silk, viscose, etc.)	6	30°C		•	•		52	Wash cycle, rinse cycles, anti-crease or draining cycle
<b>Time 4 you</b>								
<b>Cotton:</b> Heavily soiled whites and fast colours	7	60°C		•	•		60	Wash cycle, rinse cycles, intermediate and final spin cycles
<b>Cotton:</b> Slightly soiled whites and delicate colours (shirts, jumpers, etc.)	8	40°C		•	•		50	Wash cycle, rinse cycles, intermediate and final spin cycles
<b>Synthetics:</b> Delicate colours (all types of slightly soiled garments)	9	40°C		•	•		40	Wash cycle, rinse cycles, delicate spin cycle
<b>Synthetics:</b> Delicate colours (all types of slightly soiled garments)	10	30°C		•	•		30	Wash cycle, rinse cycles and delicate spin cycle
<b>Sport</b>								
Sports shoes (MAX. 2 pairs)	11	30°C		•	•		50	Cold wash (without detergents), wash cycle, rinse cycles, and delicate spin cycle
Fabrics for sportswear (Tracksuits, shorts, etc.)	12	30°C		•	•		60	Wash cycle, rinse cycles, intermediate and final spin cycles
<b>MEMO</b>		Allows for any wash cycle to be stored (see page 5)						
<b>PARTIAL PROGRAMMES</b>								
Rinse					•	Delicate/Traditional		Rinse cycles and spin cycle
Spin								Draining and spin cycle
Drain								Draining

## Notes

- For programmes 7 and 8, we advise against exceeding a wash load of 3.5 kg.
- For programme 12 we advise against exceeding a wash load of 2 kg.
- For the anti-crease function: see Easy iron, *opposite page*. The information contained in the table is purely indicative.

## Special programme

*Daily* (programme 10 for Synthetics) is designed to wash lightly soiled garments in a short amount of time: it only lasts 30 minutes and allows you to save on both time and energy. By setting this programme (10 at 30°C), you can wash different fabrics together (except for woollen and silk items), with a maximum load of 3 kg.  
We recommend the use of liquid detergent.



## Setting the spin cycle

If, when the appliance is switched on, the KNOB is positioned on a programme with a spin cycle, a fixed appears. Press button and the maximum spin speed allowed for the programme set will be displayed, and the icon flashes. Press it again and the values lower until they reach OFF, which indicates that the spin cycle has been excluded (press it again to go back to the maximum value); stop on the desired speed, after approximately 2 seconds the setting is accepted: the symbol remains fixed.

The spin cycle setting is enabled with all the programmes except for 6 and the Draining cycle.

## Setting the Delay Timer

Press the button and you will see the word OFF on the display, while the relative symbol flashes.

Press the button again and "1h" appears, that is, a delay of one hour (this can reach up to 24h); stop on the "desired" delay; after approximately 2 seconds the setting is accepted, following which, the time for the set programme appears on the display and the symbol remains on.

If you now press the START/RESET button, the set "delay" appears; this decreases every hour until the start of the cycle. In this phase, the "delay" can only be modified by decreasing it. The Delay Timer regulation is enabled with all programmes.

## Setting the temperature

If, when the appliance is switched on, the KNOB is positioned on a programme for which the temperature needs to be regulated, a fixed appears. Press button and the maximum temperature allowed for the programme set will be displayed and the icon flashes. Press it again and the temperature lowers until it reaches OFF, which indicates a cold wash cycle (press it again to go back to the maximum value); stop on the desired value, after approximately 2 seconds the setting is accepted: the symbol remains fixed.

The temperature adjustment is enabled with all wash programmes.

## Functions

To enable a function:

1. press the button corresponding to the desired function, according to the table below;
2. the function is enabled when the corresponding button is illuminated.

Note: The rapid flashing of the button indicates that the corresponding function cannot be selected for the programme set.

If you set a function that is incompatible with another function you selected previously, only the last one selected will be enabled.

Function	Effect	Comments	Enabled with programmes:
<b>Stain removal</b>	Bleaching cycle designed to remove the toughest stains.	Please remember to pour the bleach into extra compartment 4 (see page 8). This function is incompatible with the EASY IRON function.	2, 3, 4, Rinse cycle.
<b>Extra Rinse</b>	Increases the efficiency of the rinse.	Recommended when the appliance has a full load or with large quantities of detergent.	1, 2, 3, 4, 7, 8, 9, 11, 12, Rinse cycle.
<b>Easy iron</b>	This option reduces the amount of creasing on fabrics, making them easier to iron.	When this function is set, programmes 4, 5, 6 will end, with the laundry left to soak (Anti-crease), and the relative button flashes: - to conclude the cycle, press the START/RESET button or the EASY IRON button; - to run the draining cycle alone, set the knob to the relative symbol  and press the START/RESET button. This function is incompatible with the STAIN REMOVAL function.	3, 4, 5, 6, 7, 8, 9, Rinse cycle.

GB

Installation

Description

Programmes

Detergents

Precautions

Care

Troubleshooting

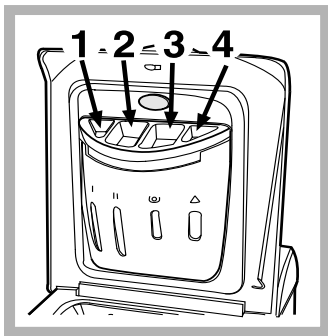
Service

# Detergents and laundry

GB

## Detergent dispenser

Good washing results also depend on the correct dose of detergent: adding too much detergent won't necessarily make for a more efficient wash, and may in fact cause build up on the interior of your appliance and even pollute the environment.



Open up the detergent dispenser and pour in the detergent and fabric softener, as follows.

### compartment 1: Detergent for pre-wash (powder)

### compartment 2: Detergent for the wash cycle (powder or liquid)

Liquid detergent should only be poured in immediately prior to the wash cycle start.

! Do not use hand wash detergent because it may form too much foam.



### compartment 3: Additives (fabric softeners, etc.)

When pouring the softener in compartment 3, avoid exceeding the "max" level indicated. The softener is added automatically into the machine during the last wash. At the end of the wash programme, some water will be left in compartment 3. This is used for the inlet of denser fabric softeners into the machine, i.e. to dilute the more concentrated softeners. Should more than a normal amount of water remain in compartment 3, this means the emptying device is blocked. For cleaning instructions, see page 10. The fabric softener should not overflow from the grid.

### compartment 4: Bleach

#### Bleach cycle

**Traditional** bleach should be used on sturdy white fabrics, and **delicate** bleach for coloured fabrics, synthetics and for wool.

When pouring in the bleach, be careful not to exceed the "max" level indicated on compartment 4 (see figure). To run the bleach cycle alone, pour the bleach into compartment 4 and set the Rinse programme  (for cotton fabrics) and push the button  Bleaching.

## Preparing your laundry

- Divide your laundry according to:
  - the type of fabric/the symbol on the label.
  - the colours: separate coloured garments from whites.
- Empty all pockets and check for loose buttons.
- Do not exceed the weight limits stated below, which refer to the weight when dry:
  - Sturdy fabrics: max 5 kg
  - Synthetic fabrics: max 2.5 kg
  - Delicate fabrics: max 2 kg
  - Wool: max 1 kg

### How much does your laundry weigh?

- 1 sheet 400-500 g
- 1 pillow case 150-200 g
- 1 tablecloth 400-500 g
- 1 bathrobe 900-1,200 g
- 1 towel 150-250 g

## Special items

**Curtains:** fold curtains and place them in a pillow case or mesh bag. Wash them separately without exceeding half the appliance load. Use programme 6 which excludes the spin cycle automatically.

**Quilted coats and windbreakers:** if they are padded with goose or duck down, they can be machine-washed. Turn the garments inside out and load a maximum of 2-3 kg, repeating the rinse cycle once or twice and using the delicate spin cycle.

**Wool:** for best results, use a specific detergent, taking care not to exceed a load of 1 kg.



! The washing machine was designed and built in compliance with the applicable international safety regulations. The following information is provided for your safety and should consequently be read carefully.

## General safety

- This appliance has been designed for non-professional, household use and its functions must not be changed.
- This washing machine should only be used by adults and in accordance with the instructions provided in this manual.
- Never touch the washing machine when barefoot or with wet or damp hands or feet.
- Do not pull on the power supply cable to unplug the appliance from the electricity socket. Pull the plug out yourself.
- Do not open the detergent dispenser while the appliance is in operation.
- Do not touch the drain water as it could reach very high temperatures.
- Never force the washing machine door: this could damage the safety lock mechanism designed to prevent any accidental openings.
- In the event of a malfunction, do not under any circumstances touch internal parts in order to attempt repairs.
- Always keep children well away from the appliance while in operation.
- The appliance door tends to get quite hot during the wash cycle.
- Should it have to be moved, proceed with the help of two or three people and handle it with the utmost care. Never try to do this alone, because the appliance is very heavy.
- Before loading your laundry into the washing machine, make sure the drum is empty.

## Disposal

- Disposing of the packaging material: observe local regulations, so the packaging can be re-used.
- Disposal of old electrical appliances  
The European Directive 2002/96/EC on Waste Electrical and Electronic Equipment (WEEE), requires that old household electrical appliances must not be disposed of in the normal unsorted municipal waste stream. Old appliances must be

collected separately in order to optimise the recovery and recycling of the materials they contain and reduce the impact on human health and the environment.

The crossed out "wheeled bin" symbol on the product reminds you of your obligation, that when you dispose of the appliance it must be separately collected.

Consumers should contact their local authority or retailer for information concerning the correct disposal of their old appliance.

## Saving energy and respecting the environment

### Environmentally-friendly technology

If you only see a little water through your appliance door, this is because thanks to the latest technology, your washing machine only needs less than half the amount of water to get the best results: an objective reached to respect the environment.

### Saving on detergent, water, energy and time

- To avoid wasting resources, the washing machine should be used with a full load. A full load instead of two half loads allows you to save up to 50% on energy.
- The pre-wash cycle is only necessary on extremely soiled garments. Avoiding it will save on detergent, time, water and between 5 and 15% energy.
- Treating stains with a stain remover or leaving them to soak before washing will cut down the need to wash them at high temperatures. A programme at 60°C instead of 90°C or one at 40°C instead of 60°C will save up to 50% on energy.
- Use the correct quantity of detergent depending on the water hardness, how soiled the garments are and the amount of laundry you have, to avoid wastage and to protect the environment: despite being biodegradable, detergents do contain ingredients that alter the natural balance of the environment. In addition, avoid using fabric softener as much as possible.

• If you use your washing machine from late in the afternoon until the early hours of the morning, you will help reduce the electricity board's peak load. The Delay Timer option (see page 7) helps to organise your wash cycles accordingly.

• If your laundry has to be dried in a tumble dryer, select a high spin speed. Having the least water possible in your laundry will save you time and energy in the drying process.

GB

Installation

Description

Programmes

Detergents

Precautions

Care

Troubleshooting

Service

# Care and maintenance

GB

## Cutting off the water or electricity supply

- Turn off the water tap after every wash. This will limit the wear of your appliance's water system and also prevent leaks.
- Unplug your appliance when cleaning it and during all maintenance operations.

## Cleaning your appliance

The exterior and rubber parts of your appliance can be cleaned with a soft cloth soaked in lukewarm soapy water. Do not use solvents or abrasives.

## Cleaning the detergent dispenser

Remove the dispenser by raising it and pulling it out (see figure).

Wash it under running water; this operation should be repeated frequently.

## Caring for your appliance door and drum

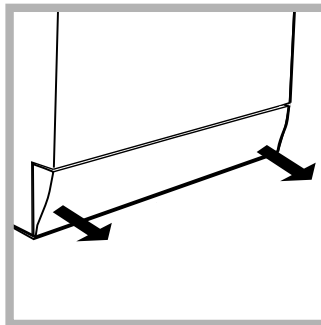
- Always leave the appliance door ajar to prevent unpleasant odours from forming.

## Cleaning the pump

The washing machine is fitted with a self-cleaning pump that does not require any maintenance. Sometimes, small items (such as coins or buttons) may fall into the pre-chamber that protects the pump, situated in the lower part of the same.

! Make sure the wash cycle has ended and unplug the appliance.

To recover any objects that have fallen into the pre-chamber:



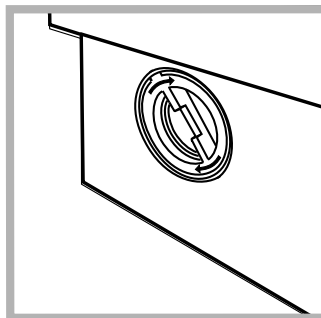
**1.** remove the plinth at the bottom on the front side of the washing machine by pulling from the side with your hands (see figure);

**2.** unscrew the lid rotating it anticlockwise (see figure): a little water may trickle out. This is perfectly normal;

**3.** clean the interior thoroughly;

**4.** screw the lid back on;

**5.** reposition the panel, making sure the hooks are securely in place before you push it onto the appliance.



## Checking the water inlet hose

Check the water inlet hose at least once a year. If you see any cracks, replace it immediately: during the wash cycles, water pressure is very strong and a cracked hose could easily split open.

! Never use hoses that have already been used.

## How to clean the detergent dispenser

### Disassembly:

Press lightly on the large button on the front of the detergent dispenser and pull it upwards (fig. 1).

### Cleaning:

Then clean the dispenser under a tap (fig. 3) using an old toothbrush and, once the pair of siphons inserted in the top of compartments 1 and 2 (fig. 4) have been pulled out, check whether the same are not clogged and then rinse them.

### Reassembly:

Do not forget to reinsert the pair of siphons into the special housings and then to replace the dispenser into its seat, clicking it into place (fig. 4, 2 and 1).

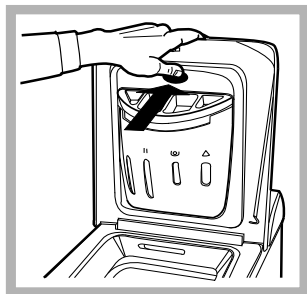


Fig. 1

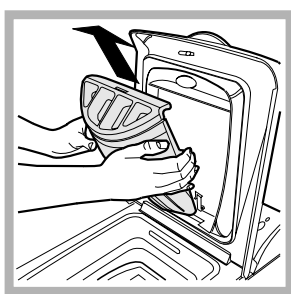


Fig. 2

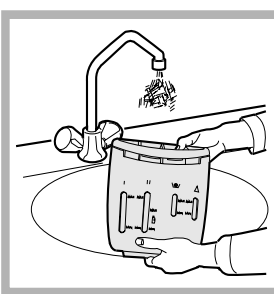


Fig. 3

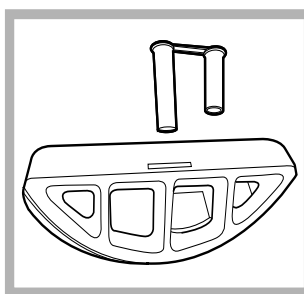


Fig. 4

Your washing machine could fail to work. Before calling for Assistance (see page 12), make sure the problem can't easily be solved by consulting the following list.


## Problem

## Possible causes/Solution:

**The washing machine won't start.**

- The appliance is not plugged into the socket, or not enough to make contact.
- There has been a power failure.

**The wash cycle won't start.**

- The appliance door is not shut properly (the word "Door" is displayed).
- The  button has not been pressed.
- The START/RESET button has not been pressed.
- The water tap is not turned on.
- A delayed start has been set (using the Delay Timer, see page 7).

**The washing machine fails to load water (The wording H2O is displayed).**

- The water inlet hose is not connected to the tap.
- The hose is bent.
- The water tap is not turned on.
- There is a water shortage.
- The water pressure is insufficient.
- The START/RESET button has not been pressed.

**The washing machine continuously loads and unloads water.**

- The drain hose is not fitted between 65 and 100 cm from the floor (see page 3).
- The free end of the hose is underwater (see page 3).
- The wall drainage system doesn't have a breather pipe.

If the problem persists even after these checks, turn off the water tap, switch the appliance off and call for Assistance. If the dwelling is on one of the upper floors of a building, there may be drain trap problems causing the washing machine to load and unload water continuously. In order to avoid such an inconvenience, special anti-drain trap valves are available in shops.

**The washing machine does not drain or spin.**

- The programme does not foresee the draining: some programmes require enabling the draining manually (see page 6).
- The Easy iron option is enabled: to complete the programme, press the START/RESET button (see page 7).
- The drain hose is bent (see page 3).
- The drain duct is clogged.

**The washing machine vibrates too much during the spin cycle.**

- When the machine is installed, the locking screws for the oscillating assembly are still in place. Remove the screws (see page 2).
- The washing machine is not level (see page 2).
- The washing machine is closed in between furniture cabinets and the wall (see page 2).

**The washing machine leaks.**

- The water inlet hose is not screwed on correctly (see page 2).
- The detergent dispenser is obstructed (to clean it, see page 10).
- The drain hose is not secured properly (see page 3).

**There is too much foam.**

- The detergent is not suitable for machine washing (it should bear the definition "for washing machines" or "hand and machine wash", or the like).

./.

- You used too much detergent.

./.

GB

Installation

Description

Programmes

Detergents

Precautions

Care

Troubleshooting

Service

## Troubleshooting (foll.)

### **The machine is locked and the display flashes, indicating an error code (e.g. F-01, F-...).**

This means there is a problem with the machine. Before calling Assistance, please follow the set of instructions below:

1. Switch off the machine.
2. Remove the plug connecting the appliance to the mains supply and wait for at least 40 seconds.
3. Place the plug back into the socket.
4. Switch on the machine.
5. If the problem is still evident after this process has been carried out, contact Assistance.

### **Before calling for Assistance:**

- Check whether you can solve the problem on your own (*see page 11*);
- Restart the programme to check whether the problem has been solved;
- If this is not the case, contact an authorised Technical Service Centre on the telephone number provided on the guarantee certificate.

! If the machine has been installed or used incorrectly, you may be charged for the maintenance callout service.

! Always request the assistance of authorised servicemen.

### **Notify the operator of:**

- the type of problem;
- the appliance model (Mod.);
- the serial number (S/N).

This information can be found on the data plate situated on the rear of the washing machine.



Italiano

**WITE 107**

### Sommario

#### **Installazione, 14-15**

Disimballo e livellamento, 14  
Collegamenti idraulici ed elettrici, 14-15  
Primo ciclo di lavaggio, 15  
Dati tecnici, 15

#### **Descrizione della lavabiancheria, 16-17**

Pannello di controllo, 16  
Come aprire e chiudere il cestello, 16  
Display, 17  
Programma "MEMO", 17

#### **Avvio e Programmi, 18**

In breve: avviare un programma, 18  
Tabella dei programmi, 18

#### **Personalizzazioni, 19**

Regolare la centrifuga, 19  
Regolare il delay timer, 19  
Regolare la temperatura, 19  
Funzioni, 19

#### **Detersivi e biancheria, 20**

Cassetto dei detersivi, 20  
Ciclo candeggio, 20  
Preparare la biancheria, 20  
Capi particolari, 20

#### **Precauzioni e consigli, 21**

Sicurezza generale, 21  
Smaltimento, 21  
Risparmiare e rispettare l'ambiente, 21

#### **Manutenzione e cura, 22**

Escludere acqua e corrente elettrica, 22  
Pulire la lavabiancheria, 22  
Pulire il cassetto dei detersivi, 22  
Curare oblò e cestello, 22  
Pulire la pompa, 22  
Controllare il tubo di alimentazione dell'acqua, 22  
Come pulire la vaschetta detersivi, 22

#### **Anomalie e rimedi, 23**

#### **Assistenza, 24**

Assistenza Attiva 7 giorni su 7, 24

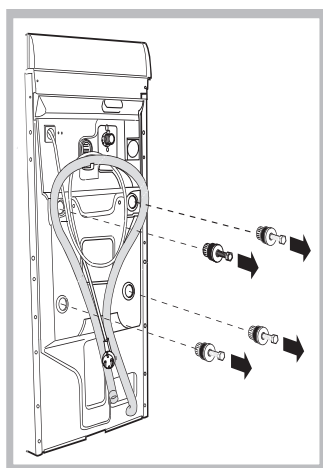
# Installazione

! È importante conservare questo libretto per poterlo consultare in ogni momento. In caso di vendita, di cessione o di trasloco, assicurarsi che resti insieme alla lavabiancheria per informare il nuovo proprietario sul funzionamento e sui relativi avvertimenti.

! Leggere attentamente le istruzioni: ci sono importanti informazioni sull'installazione, sull'uso e sulla sicurezza.

## Disimballo e livellamento

### Disimballo



1. Disimballare la lavabiancheria.
2. Controllare che la lavabiancheria non abbia subito danni nel trasporto. Se fosse danneggiata non collegarla e contattare il rivenditore.
3. Rimuovere le quattro viti di protezione per il trasporto e il gommino con il relativo distanziale, posti nella parte posteriore (vedi figura).

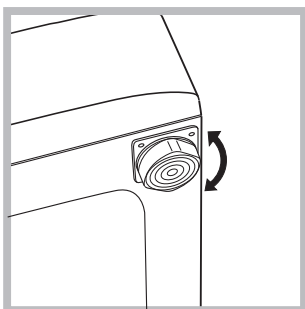
4. Chiudere i fori con i tappi di plastica in dotazione.
5. Conservare tutti i pezzi: qualora la lavabiancheria debba essere trasportata, dovranno essere rimontati.

**Attenzione.** In caso di riutilizzo le viti più corte devono essere montate in alto.

! Gli imballaggi non sono giocattoli per bambini.

### Livellamento

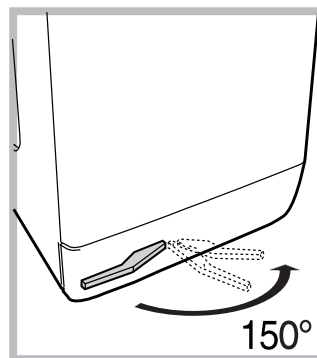
1. Installare la lavabiancheria su un pavimento piano e rigido, senza appoggiarla a muri, mobili o altro.



2. Se il pavimento non fosse perfettamente orizzontale, compensare le irregolarità svitando o avvitando i piedini anteriori (vedi figura); l'angolo di inclinazione, misurato sul piano di lavoro, non deve superare i 2°.

Un accurato livellamento dà stabilità alla macchina ed evita vibrazioni, rumori e spostamenti durante il funzionamento. In caso di moquette o di un tappeto, regolare i piedini in modo da conservare sotto la lavabiancheria uno spazio sufficiente per la ventilazione.

## Collocazione, spostamenti.

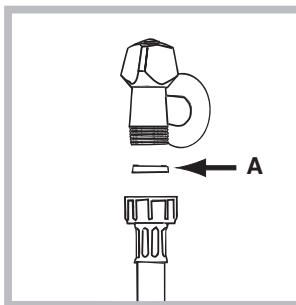


La tua lavatrice è dotata di uno speciale carrello con ruote retrattili puoi facilmente spostarla. Per far scendere questo carrello e poterla così muovere senza sforzo, è necessario tirare la leva nera, situata in basso a sinistra, sotto lo zoccolo. Ultimato lo spostamento riportarla nella

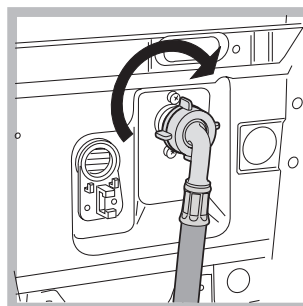
posizione iniziale. La macchina a questo punto è saldamente collocata (vedi figura sopra).

## Collegamenti idraulici ed elettrici

### Collegamento del tubo di alimentazione dell'acqua



1. Inserire la guarnizione A nell'estremità del tubo di alimentazione e avvitare a un rubinetto d'acqua fredda con bocca filettata da 3/4 gas (vedi figura). Prima di allacciare, far scorrere l'acqua finché non sia limpida.

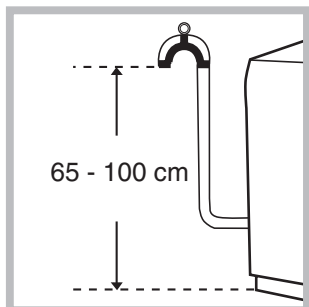


2. Collegare il tubo di alimentazione alla lavabiancheria avvitandolo all'apposita presa d'acqua, nella parte posteriore in alto a destra (vedi figura).
3. Fare attenzione che nel tubo non ci siano né pieghe né strozzature.

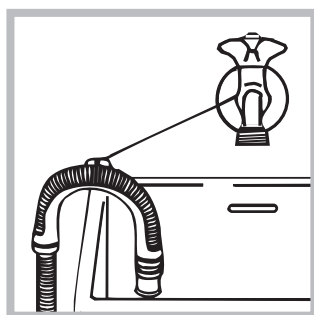
! La pressione idrica del rubinetto deve essere compresa nei valori della tabella Dati tecnici (vedi pagina a fianco).

! Se la lunghezza del tubo di alimentazione non fosse sufficiente, rivolgersi a un negozio specializzato o a un tecnico autorizzato.

### Collegamento del tubo di scarico



Collegare il tubo di scarico, senza piegarlo, a una condotta di scarico o a uno scarico a muro posti tra 65 e 100 cm da terra;



oppure appoggiarlo al bordo di un lavandino o di una vasca, legando la guida in dotazione al rubinetto (vedi figura). L'estremità libera del tubo di scarico non deve rimanere immersa nell'acqua.

! È sconsigliato usare tubi di prolunga; se indispensabile, la prolunga deve avere lo stesso diametro del tubo originale e non superare i 150 cm.

### Collegamento elettrico

Prima di inserire la spina nella presa della corrente, accertarsi che:

- la presa abbia la messa a terra e sia a norma di legge;
- la presa sia in grado di sopportare il carico massimo di potenza della macchina, indicato nella tabella Dati tecnici (vedi a fianco);
- la tensione di alimentazione sia compresa nei valori indicati nella tabella Dati tecnici (vedi a fianco);
- la presa sia compatibile con la spina della lavabiancheria. In caso contrario sostituire la presa o la spina.

! La lavabiancheria non va installata all'aperto, nemmeno se lo spazio è riparato, perché è molto pericoloso lasciarla esposta a pioggia e temporali.

! A lavabiancheria installata, la presa della corrente deve essere facilmente raggiungibile.

! Non usare prolunghe e multiple.

! Il cavo non deve subire piegature o compressioni.

! Il cavo di alimentazione deve essere sostituito solo da tecnici autorizzati.

Attenzione! L'azienda declina ogni responsabilità qualora queste norme non vengano rispettate.

### Primo ciclo di lavaggio

Dopo l'installazione, prima dell'uso, effettuare un ciclo di lavaggio con detersivo e senza biancheria impostando il programma a 90°C senza prelavaggio.

**! È importante conservare questo libretto** per poterlo consultare in ogni momento. In caso di vendita, di cessione o di trasloco, assicurarsi che resti insieme alla lavabiancheria per informare il nuovo proprietario sul funzionamento e sui relativi avvertimenti.

! Leggere attentamente le istruzioni: ci sono importanti informazioni sull'installazione, sull'uso e sulla sicurezza.

### Dati tecnici

<b>Modello</b>	WITE 107
<b>Dimensioni</b>	larghezza cm 40 altezza cm 85 profondità cm 60
<b>Capacità</b>	da 1 a 5 kg
<b>Collegamenti elettrici</b>	tensione a 220/230 Volt 50 Hz potenza massima assorbita 1850 W
<b>Collegamenti idrici</b>	pressione massima 1 MPa (10 bar) pressione minima 0,05 MPa (0,5 bar) capacità del cesto 42 litri
<b>Velocità di centrifuga</b>	sino a 1000 giri al minuto
<b>Programmi di controllo secondo la norma IEC456</b>	programma 2; temperatura 60°C; effettuato con 5 kg di carico.



Questa apparecchiatura è conforme alle seguenti Direttive Comunitarie:  
- 73/23/CEE del 19/02/73 (Bassa Tensione) e successive modificazioni  
- 89/336/CEE del 03/05/89 (Compatibilità Elettromagnetica) e successive modificazioni  
- 2002/96/CE

Installazione

Descrizione

Programmi

Detersivi

Precauzioni

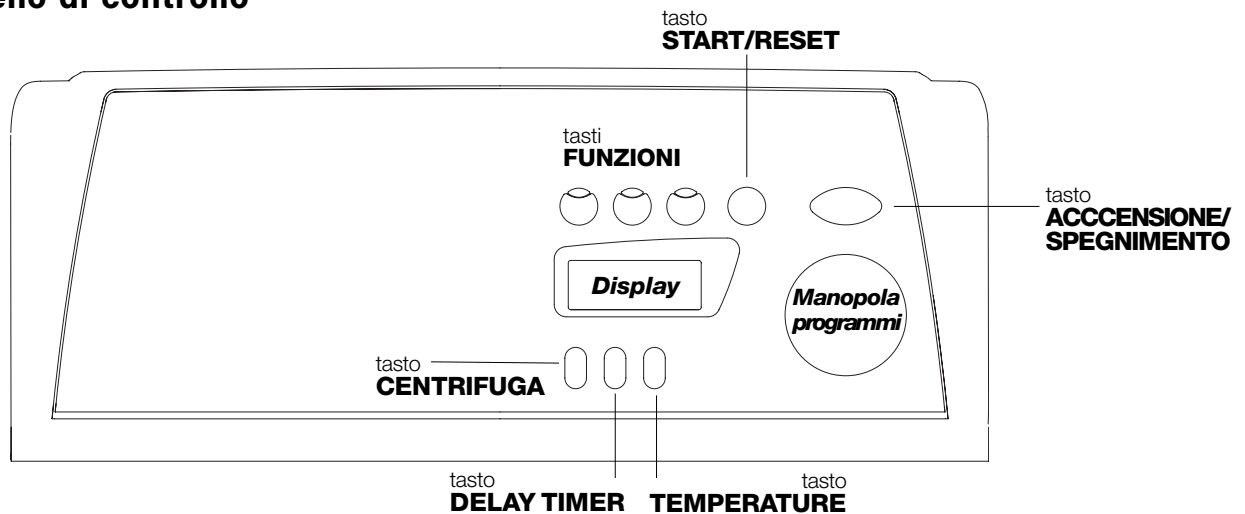
Manutenzione

Anomalie

Assistenza

# Descrizione della lavabiancheria

## Pannello di controllo



**Cassetto dei detersivi** per caricare detersivi e additivi (vedi pag. 20).

Tasto **CENTRIFUGA (\*)** per regolare la velocità di centrifuga fino a escluderla (vedi pag. 19).

Tasto **DELAY TIMER** per ritardare la partenza del programma impostato fino ad un massimo di 24 ore (vedi pag. 19).

Tasto **TEMPERATURA** per modificare la temperatura di lavaggio (vedi pag. 19).

**Display** per programmare la lavabiancheria e seguire l'avanzamento dei cicli di lavaggio (vedi pag. a fianco).

Tasti **FUNZIONE** per selezionare le funzioni disponibili. Il tasto relativo alla funzione selezionata rimarrà acceso.

Tasto **START/RESET** per avviare i programmi o annullare quanto erroneamente impostato.

Tasto **ACCENSIONE/SPEGNIMENTO** per accendere e spegnere la lavabiancheria.

**Manopola** per scegliere i programmi. Durante il programma la manopola resta ferma.

## Come aprire e chiudere il cestello

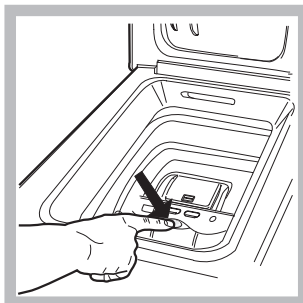
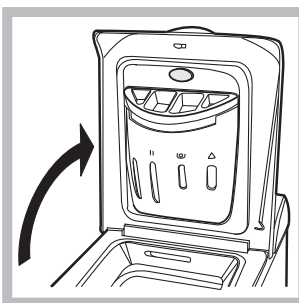


Fig. 1

Fig. 2

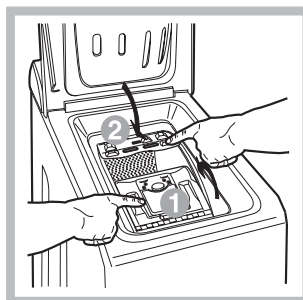
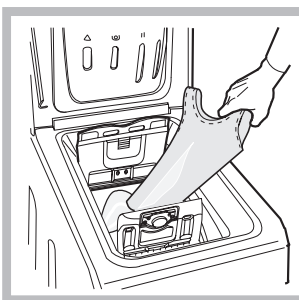


Fig. 3

Fig. 4

### A) Apertura coperchio superiore (Fig. 1):

Sollevare il coperchio esterno ed aprirlo completamente.

### B) Apertura cestello (Soft opening):

Con un dito premere il pulsante indicato nella fig. 2 ed il cestello si aprirà delicatamente.

### C) Introduzione biancheria (Fig. 3).

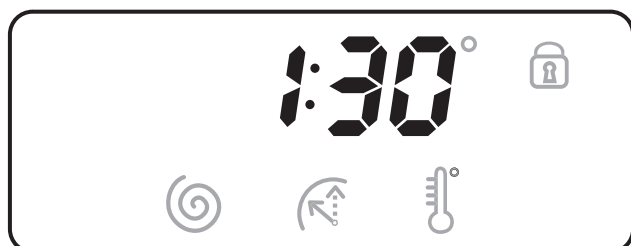
### D) Chiusura (Fig. 4).

- richiudere bene il cestello abbassando prima lo sportello anteriore ed appoggiandovi quindi quello posteriore;
- assicurarsi quindi che i ganci dello sportello anteriore siano perfettamente alloggiati nella sede dello sportello posteriore;
- dopo aver sentito il "clac" dell'avvenuto aggancio, esercitare una lieve pressione verso il basso su entrambi gli sportelli che non devono sganciarsi;
- chiudere infine il coperchio esterno.



## Display

Oltre a essere un utile strumento per programmare la macchina (vedi pag. 19), il display fornisce informazioni sul ciclo di lavaggio.



Dopo aver premuto il tasto START/RESET per avviare il programma, sul display viene visualizzato il tempo che manca alla fine del ciclo. Nel caso si sia impostato un ritardo sull'ora di avvio (Delay Timer, vedi pag. 19), questo verrà visualizzato.

### **Oblò bloccato:**


Il simbolo acceso indica che l'oblò è bloccato per impedire aperture accidentali. Per evitare danni è necessario attendere che il simbolo si spenga prima di aprire l'oblò.


Alla fine del programma viene visualizzata la scritta END.

! In caso di anomalia compare un codice di errore, per esempio: F-01, (vedi pag 24).

### **Programma "MEMO"**

Questo programma permette di memorizzare il ciclo di lavaggio preferito o più utilizzato.

È sufficiente impostare il programma desiderato e dopo averlo avviato ruotare la MANOPOLA sulla posizione , automaticamente il ciclo verrà memorizzato e sul display apparirà la scritta MEMO lampeggiante per qualche secondo.

In seguito è possibile avviare il ciclo "MEMO" semplicemente ruotando la MANOPOLA sulla posizione ; si potranno visualizzare i valori di temperatura/centrifuga/ delay timer premendo i tasti corrispondenti, si potranno anche modificare ma questa variazione sarà valida solo per il programma in corso e non verrà memorizzata nel ciclo "MEMO".

Se si vuole memorizzare un nuovo ciclo di lavaggio ripetere le operazioni sopraindicate.

### **(\*)**

Per evitare vibrazioni eccessive prima di ogni centrifuga la macchina distribuisce il carico in modo uniforme, questo avviene effettuando delle rotazioni continue del cesto ad una velocità leggermente superiore a quella di lavaggio. Quando nonostante ripetuti tentativi il carico non viene perfettamente distribuito, la macchina effettua la centrifuga ad una velocità inferiore a quella prevista.

In presenza di eccessivo sbilanciamento la macchina effettua la distribuzione al posto della centrifuga.

Gli eventuali tentativi di bilanciamento possono allungare la durata totale del ciclo fino ad un massimo di 10 minuti.

—

Installazione

Descrizione

Programmi

Detersivi

Precauzioni

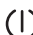
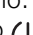
Manutenzione

Anomalie





Assistenza

# Avvio e Programmi

## In breve: avviare un programma

1. Accendere la lavabiancheria premendo il tasto .
2. Caricare la biancheria, versare detersivo e additivi (vedi pag. 20) e chiudere gli sportelli e coperchio.
3. Impostare con la manopola PROGRAMMI il programma desiderato. La durata prevista del programma viene mostrata sul display. Temperatura e velocità di centrifuga sono predisposte automaticamente secondo il programma scelto.
4. Impostare una funzione (vedi pag. 19).
5. Avviare il programma premendo il tasto START/RESET.  
Per annullare il ciclo impostato premere il tasto START/RESET per 2 secondi.
6. Al termine del programma compare la parola "End" sul display. Estrarre la biancheria e lasciare lo sportello socchiuso per far asciugare il cestello.
7. Spegnere la lavabiancheria premendo il tasto .

## Tabella dei programmi

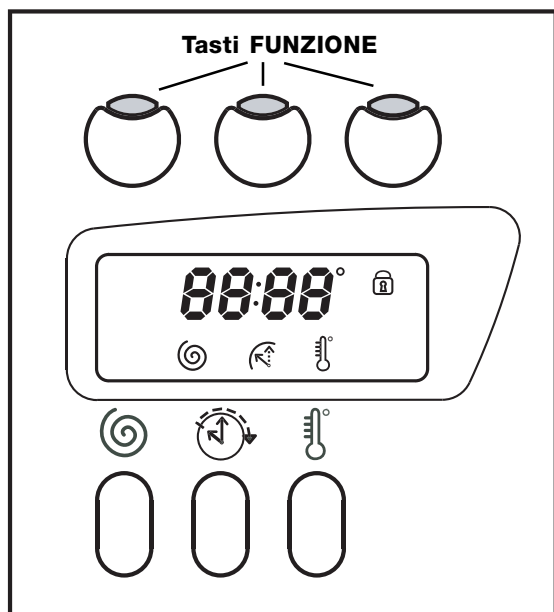
Natura dei tessuti e dello sporco	Programmi	Temperatura	Detersivo		Ammorbidente	Opzione Antimacchia / Candeggina	Durata del ciclo (minuti)	Descrizione del ciclo di lavaggio
			prelav.	lavag.				
<b>Standard</b>								
<b>Cotone:</b> Bianchi estremamente sporchi (lenzuola, tovaglie, ecc.)	1	90°C	•	•	•		137	Prelavaggio, lavaggio, risciacqui, centrifughe intermedie e finale
<b>Cotone:</b> Bianchi estremamente sporchi (lenzuola, tovaglie, ecc.)	2	90°C		•	•	Delicata / Tradizionale	129	Lavaggio, risciacqui, centrifughe intermedie e finale
<b>Cotone:</b> Bianchi e colorati resistenti molto sporchi	2	60°C		•	•	Delicata / Tradizionale	139	Lavaggio, risciacqui, centrifughe intermedie e finale
<b>Cotone:</b> Bianchi e colorati delicati molto sporchi	2	40°C		•	•	Delicata / Tradizionale	131	Lavaggio, risciacqui, centrifughe intermedie e finale
<b>Cotone:</b> Bianchi poco sporchi e colori delicati (camice, maglie, ecc.)	3	40°C		•	•	Delicata / Tradizionale	78	Lavaggio, risciacqui, centrifughe intermedie e finale
<b>Sintetici:</b> Colori resistenti molto sporchi (biancheria per neonati, ecc.)	4	60°C		•	•	Delicata	79	Lavaggio, risciacqui, antipiega o centrifuga delicata
<b>Sintetici:</b> Colori resistenti molto sporchi (biancheria per neonati, ecc.)	4	40°C		•	•	Delicata	65	Lavaggio, risciacqui, antipiega o centrifuga delicata
Lana	5	40°C		•	•		51	Lavaggio, risciacqui, antipiega e centrifuga delicata
Tessuti molto delicati (tende, seta, viscosa, ecc.)	6	30°C		•	•		52	Lavaggio, risciacqui, antipiega o scarico
<b>Time 4 you</b>								
<b>Cotone:</b> Bianchi e colorati resistenti molto sporchi	7	60°C		•	•		60	Lavaggio, risciacqui, centrifughe intermedie e finale
<b>Cotone:</b> Bianchi poco sporchi e colori delicati (camice, maglie, ecc.)	8	40°C		•	•		50	Lavaggio, risciacqui, centrifughe intermedie e finale
<b>Sintetici:</b> Colori delicati (biancheria di tutti i tipi leggermente sporca)	9	40°C		•	•		40	Lavaggio, risciacqui, centrifuga delicata
<b>Sintetici:</b> Colori delicati (biancheria di tutti i tipi leggermente sporca)	10	30°C		•	•		30	Lavaggio, risciacqui, e centrifuga delicata
<b>Sport</b>								
Scarpe sportive (Max. 2 paia)	11	30°C		•	•		50	Lavaggio a freddo (senza detersivo), lavaggio, risciacqui, e centrifuga delicata
Tessuti per abbigliamento sportivo (Tute, calzoncini, ecc.)	12	30°C		•	•		60	Lavaggio, risciacqui, centrifughe intermedie e finale
<b>MEMO</b>		Permette di memorizzare un qualsiasi ciclo di lavaggio (vedi pag. 17)						
<b>PROGRAMMI PARZIALI</b>								
Risciacquo					•	Delicata / Tradizionale		Risciacqui e centrifuga
Centrifuga								Scarico e centrifuga
Scarico								Scarico

## Note

- Per i programmi 7 e 8 è consigliabile non superare un carico di biancheria di 3,5 kg.
- Per il programma 12 è consigliabile non superare un carico di biancheria di 2 kg.
- Per la descrizione dell'antipiega: vedi Stira meno, *pagina a fianco*. I dati riportati nella tabella hanno valore indicativo.

## Programma speciale

**Refresh** (programma 10 per Sintetici) è studiato per lavare capi leggermente sporchi in poco tempo: dura solo 30 minuti e fa così risparmiare energia e tempo. Impostando il programma (10 a 30°C) è possibile lavare insieme tessuti di diversa natura (esclusi lana e seta) con un carico massimo di 3 kg. *Si consiglia l'uso di detersivo liquido.*



## Regolare la centrifuga

Se all'accensione della macchina la MANOPOLA è posizionata su un programma che prevede la centrifuga, l'icona compare fissa. Premendo il tasto viene visualizzata la velocità di centrifuga massima consentita per il programma impostato e l'icona lampeggia. Premendolo ancora i valori si abbassano fino a OFF, che indica l'esclusione della centrifuga (premere ancora per tornare al valore più alto); fermarsi sulla velocità desiderata, dopo 2 secondi circa la selezione viene accettata: il simbolo resta fisso. La regolazione della centrifuga è attiva con tutti i programmi tranne 6 e Scarico.

## Regolare il Delay Timer

Premendo il tasto sul display viene visualizzata la scritta OFF e il simbolo relativo lampeggia. Premendo ancora il tasto compare "1h" cioè ritardo di un'ora e così via fino a 24h; fermarsi sul "ritardo" desiderato, dopo 2 secondi circa la selezione viene accettata; dopodichè sul display viene visualizzato il tempo previsto per il programma impostato e il simbolo resta acceso. Premendo ora il tasto START/RESET ricompare il valore del "ritardo" selezionato che diminuisce ogni ora fino alla partenza del ciclo, in questa fase si può modificare il valore del "ritardo" solo diminuendolo. La regolazione del Delay Timer è attiva con tutti i programmi.

## Regolare la temperatura

Se all'accensione della macchina la MANOPOLA è posizionata su un programma che prevede la regolazione della temperatura, l'icona compare fissa. Premendo il tasto viene visualizzata la temperatura massima consentita per il programma impostato e l'icona lampeggia. Premendolo ancora la temperatura si abbassa fino a OFF, che indica il lavaggio a freddo (premere ancora per tornare al valore più alto); fermarsi sul valore desiderato, dopo 2 secondi circa la selezione viene accettata: il simbolo resta fisso.

La regolazione della temperatura è attiva con tutti i programmi di lavaggio.

## Funzioni

Le varie funzioni di lavaggio previste dalla lavabiancheria permettono di ottenere la pulizia e il bianco desiderati. Per attivare le funzioni:

1. premere il tasto relativo alla funzione desiderata, secondo la tabella sottostante;
2. l'accensione del tasto relativo segnala che la funzione è attiva.

Nota: Il lampeggio veloce del tasto indica che la funzione relativa non è selezionabile per il programma impostato. Nel caso venga impostata una funzione incompatibile con un'altra precedentemente selezionata rimarrà attiva solo l'ultima scelta.

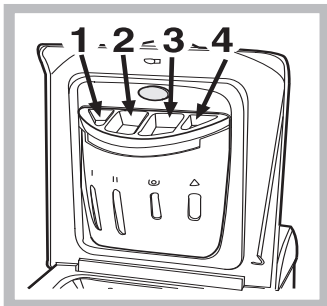
Funzioni	Effetto	Note per l'uso	Attiva con i programmi:
<b>Antimacchia</b>	Ciclo di candeggio adatto a eliminare le macchie più resistenti.	Ricordarsi di versare la candeggina nella vaschetta 4 (vedi pag. 20). Non è compatibile con l'opzione STIRA MENO.	2, 3, 4 Risciacquo.
<b>Extra Risciacquo</b>	Aumenta l'efficacia del risciacquo.	E' consigliata con lavabiancheria a pieno carico o con dosi elevate di detersivo.	1, 2, 3, 4, 7, 8, 9, 11, 12 Risciacquo.
<b>Stira meno</b>	Riduce le pieghe sui tessuti, agevolando la stiratura.	Impostando questa funzione, i programmi 4, 5, 6 si interromperanno con il bucato in ammollo (Antipiega) e la spia relativa lampeggerà: - per completare il ciclo premere il tasto START/RESET; - per effettuare solo lo scarico posizionare la manopola sul simbolo relativo  e premere il tasto START/RESET. Non è compatibile con l'opzione ANTIMACCHIA.	3, 4, 5, 6, 7, 8, 9, Risciacquo.

1	Installazione
	Descrizione
	Programmi
	Detersivi
	Precauzioni
	Manutenzione
	Anomalie
	Assistenza

# Detersivi e biancheria

## Cassetto dei detersivi

Il buon risultato del lavaggio dipende anche dal corretto dosaggio del detersivo: eccedendo non si lava in modo più efficace e si contribuisce a incrostare le parti interne della lavabiancheria e a inquinare l'ambiente.



Alzare il coperchio al di sotto del quale è collocato il cassetto dei detersivi e inserire il detersivo o l'additivo come segue.

### vaschetta 1: Detersivo per prelavaggio (in polvere)

### vaschetta 2: Detersivo per lavaggio (in polvere o liquido)

E' opportuno immettere direttamente il detersivo liquido in vasca a mezzo dell'apposita pallina.

! Non usare detersivi per il lavaggio a mano, perché formano troppa schiuma.

### vaschetta 3: Additivi (ammorbidente, ecc.)

Quando si versa l'ammorbidente nel comparto 3, far attenzione a non superare il livello "max" indicato. L'ammorbidente viene automaticamente immesso in macchina durante l'ultimo risciacquo. Al termine del programma di lavaggio nello scomparto 3 rimane un residuo d'acqua. Questa serve per l'immissione di ammorbidenti molto densi, ovvero per diluire quelli concentrati. Se nel comparto 3 rimanesse più acqua del normale, ciò significa che il dispositivo di svuotamento è intasato. Per la pulizia vedi pag. 22.

### vaschetta 4: Candeggina

## Ciclo candeggio

La candeggina **tradizionale** si usa per i tessuti resistenti bianchi, quella **delicata** per i tessuti colorati, i sintetici e per la lana.

Nel dosare la candeggina non superare il livello "max" indicato sulla vaschetta 4 (vedi figura).

Per effettuare solo il candeggio versare la candeggina nella vaschetta 4, impostare il programma Risciacquo

e premere il pulsante-funzione Anti macchia

## Preparare la biancheria

- Suddividere la biancheria secondo:
  - il tipo di tessuto / il simbolo sull'etichetta.
  - i colori: separare i capi colorati da quelli bianchi.
- Vuotare le tasche e controllare i bottoni.
- Non superare i valori indicati, riferiti al peso della biancheria asciutta:

Tessuti resistenti: max 5 kg

Tessuti sintetici: max 2,5 kg

Tessuti delicati: max 2 kg

Lana: max 1 kg

### Quanto pesa la biancheria?

1 lenzuolo 400-500 gr.

1 federa 150-200 gr.

1 tovaglia 400-500 gr.

1 accappatoio 900-1.200 gr.

1 asciugamano 150-250 gr.

## Capi particolari

**Tende:** piegarle e sistemarle dentro una federa o un sacchetto a rete. Lavarle da sole senza superare il mezzo carico. Utilizzare il programma 6 che esclude in automatico la centrifuga.

**Piumini e giacche a vento:** se l'imbottitura è d'oca o d'anatra si possono lavare nella lavabiancheria. Rivoltare i capi e fare un carico massimo di 2-3 kg, ripetendo il risciacquo una o due volte e utilizzando la centrifuga delicata.

**Scarpe da tennis:** pulirle dal fango. Si possono lavare con i jeans e i capi resistenti, ma non con i capi bianchi.

**Lana:** per ottenere i migliori risultati utilizzare un detersivo specifico e non superare 1 kg di carico.

**!** La lavabiancheria è stata progettata e costruita in conformità alle norme internazionali di sicurezza. Queste avvertenze sono fornite per ragioni di sicurezza e devono essere lette attentamente.

## Sicurezza generale

- Questo apparecchio è stato concepito esclusivamente per un uso di tipo domestico.
- La lavabiancheria deve essere usata solo da persone adulte e secondo le istruzioni riportate in questo libretto.
- Non toccare la macchina a piedi nudi o con le mani o i piedi bagnati o umidi.
- Non staccare la spina dalla presa della corrente tirando il cavo, bensì afferrando la spina.
- Non toccare l'acqua di scarico, che può raggiungere temperature elevate.
- Non forzare in nessun caso l'oblò: potrebbe danneggiarsi il meccanismo di sicurezza che protegge da aperture accidentali.
- In caso di guasto, in nessun caso accedere ai meccanismi interni per tentare una riparazione.
- Controllare sempre che i bambini non si avvicinino alla macchina in funzione.
- Se dev'essere spostata, lavorare in due o tre persone con la massima attenzione. Mai da soli perché la macchina è molto pesante.
- Prima di introdurre la biancheria controlla che il cestello sia vuoto.

## Smaltimento

- Smaltimento del materiale di imballaggio: attenersi alle norme locali, così gli imballaggi potranno essere riutilizzati
- **Dismissione degli elettrodomestici**  
La direttiva Europea 2002/96/CE sui rifiuti di apparecchiature elettriche ed elettroniche (RAEE), prevede che gli elettrodomestici non debbano essere smaltiti nel normale flusso dei rifiuti solidi urbani. Gli apparecchi dismessi devono essere

raccolti separatamente per ottimizzare il tasso di recupero e riciclaggio dei materiali che li compongono ed impedire potenziali danni per la salute e l'ambiente.

Il simbolo del cestino barrato è riportato su tutti i prodotti per ricordare gli obblighi di raccolta separata.

Per ulteriori informazioni, sulla corretta dismissione degli elettrodomestici, i detentori potranno rivolgersi al servizio pubblico preposto o ai rivenditori

## Risparmiare e rispettare l'ambiente

### Tecnologia a servizio dell'ambiente: risparmiare detersivo, acqua, energia e tempo

- Per non sprecare risorse bisogna utilizzare la lavabiancheria con il massimo carico. Un carico pieno al posto di due mezzi fa risparmiare fino al 50% di energia.
- Il prelavaggio è necessario solo per biancheria molto sporca. Evitarlo fa risparmiare detersivo, tempo, acqua e tra il 5 e il 15% di energia.
- Trattando le macchie con uno scioglimalchia o lasciandole in ammollo prima del lavaggio, si riduce la necessità di lavare ad alte temperature. Un programma a 60°C invece di 90°C o uno a 40°C invece di 60°C, fa risparmiare fino al 50% di energia.
- Dosare bene il detersivo in base alla durezza dell'acqua, al grado di sporco e alla quantità di biancheria evita sprechi e protegge l'ambiente: pur biodegradabili, i detersivi contengono elementi che alterano l'equilibrio della natura. Inoltre evitare il più possibile l'ammorbidente.
- Effettuando i lavaggi dal tardo pomeriggio fino alle prime ore del mattino si collabora a ridurre il carico di assorbimento delle aziende elettriche. La funzione Delay Timer (*vedi pag. 19*) aiuta molto a organizzare i lavaggi in tal senso.
- Se il bucato deve essere asciugato in un asciugatore, selezionare un'alta velocità di centrifuga. Poca acqua nel bucato fa risparmiare tempo ed energia nel programma di asciugatura.

—	Installazione
—	Descrizione
—	Programmi
—	Detersivi
—	Precauzioni
—	Manutenzione
—	Anomalie
—	Assistenza

# Manutenzione e cura

## Escludere acqua e corrente elettrica

- Chiudere il rubinetto dell'acqua dopo ogni lavaggio. Si limita così l'usura dell'impianto idraulico della lavabiancheria e si elimina il pericolo di perdite.
- Staccare la spina della corrente quando si pulisce la lavabiancheria e durante i lavori di manutenzione.

## Pulire la lavabiancheria

- La parte esterna e le parti in gomma possono essere puliti con un panno imbevuto di acqua tiepida e sapone. Non usare solventi o abrasivi.

## Curare Coperchio e cestello

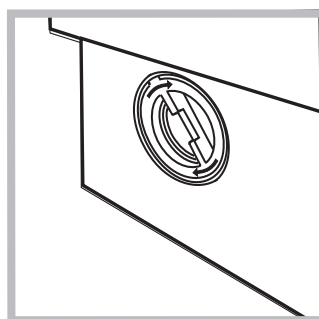
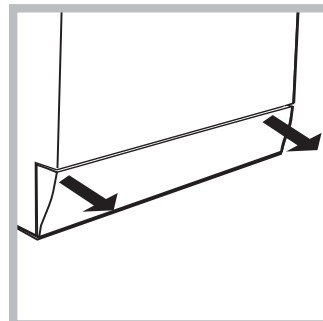
- Lasciare sempre socchiuso il coperchio per evitare che si formino cattivi odori.

## Pulire la pompa

La lavabiancheria è dotata di una pompa autopulente che non ha bisogno di manutenzione. Può però succedere che piccoli oggetti (monete, bottoni) cadano nella precamera che protegge la pompa, situata nella parte inferiore di essa.

- ! Assicurarsi che il ciclo di lavaggio sia terminato e staccare la spina.

Per recuperare eventuali oggetti caduti nella precamera:



1. rimuovere il pannello di copertura sul lato anteriore della lavabiancheria tirando con le mani dai lati dello zoccolo (vedi figura);
2. svitare il coperchio ruotandolo in senso antiorario (vedi figura): è normale che fuoriesca un pò d'acqua;
3. pulire accuratamente l'interno;
4. riavvitare il coperchio;
5. rimontare il pannello assicurandosi, prima di spingerlo verso la macchina, di aver inserito i ganci nelle apposite asole.

## Controllare il tubo di alimentazione dell'acqua

- ! Non utilizzare mai tubi già usati.

Controllare il tubo di alimentazione almeno una volta all'anno. Se presenta screpolature e fessure va sostituito: durante i lavaggi le forti pressioni potrebbero provocare improvvise spaccature.

## Smontaggio:

Esercitare una leggera pressione sul pulsante sulla parte anteriore del cassetto detersivo e tirarlo verso l'alto (fig. 1).



Fig. 1

## Pulizia:

Pulire quindi il cassetto sotto il rubinetto (fig.3) utilizzando anche un semplice spazzolino da denti e, sfilata la coppia di sifoncini inseriti nella parte superiore degli scomparti 1 e 2 (fig. 4), controllare che gli stessi non siano ostruiti e risciacuarli.

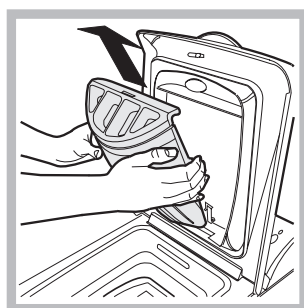


Fig. 2

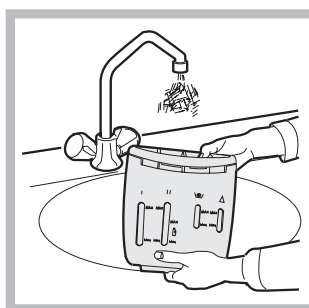


Fig. 3

## Rimontaggio:

Non dimenticare di reinserire la coppia di sifoncini negli appositi alloggiamenti e rimettere infine il cassetto nella sua sede agganciandolo (fig.4,2, 1).

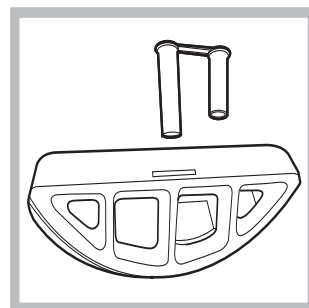


Fig. 4

Può accadere che la lavabiancheria non funzioni. Prima di telefonare all'Assistenza (vedi pag. 24), controllare che non si tratti di un problema facilmente risolvibile aiutandosi con il seguente elenco.

## Anomalie:

### La lavabiancheria non si accende.

### Il ciclo di lavaggio non inizia.

### La lavabiancheria non carica acqua (Sul display viene visualizzata la scritta H<sub>2</sub>O).

### La lavabiancheria carica e scarica acqua di continuo.

### La lavabiancheria non scarica o non centrifuga.

### La lavabiancheria vibra molto durante la centrifuga.

### La lavabiancheria perde acqua.

### Si forma troppa schiuma.

./.

## Possibili cause / Soluzione:

- La spina non è inserita nella presa della corrente, o non abbastanza da fare contatto.
- In casa non c'è corrente.

- L'oblò non è ben chiuso (sul display viene visualizzata la scritta DOOR).
- Il tasto (ⓘ) non è stato premuto.
- Il tasto START/RESET non è stato premuto.
- Il rubinetto dell'acqua non è aperto.
- Si è impostato un ritardo sull'ora di avvio (Delay Timer, vedi pag. 19).

- Il tubo di alimentazione dell'acqua non è collegato al rubinetto.
- Il tubo è piegato.
- Il rubinetto dell'acqua non è aperto.
- In casa manca l'acqua.
- Non c'è sufficiente pressione.
- Il tasto START/RESET non è stato premuto.

- Il tubo di scarico non è installato fra 65 e 100 cm da terra (vedi pag. 15).
- L'estremità del tubo di scarico è immersa nell'acqua (vedi pag. 15).
- Lo scarico a muro non ha lo sfiato d'aria.

Se dopo queste verifiche il problema non si risolve, chiudere il rubinetto dell'acqua, spegnere la lavabiancheria e chiamare l'Assistenza. Se l'abitazione si trova agli ultimi piani di un edificio, è possibile che si verifichino fenomeni di sifonaggio, per cui la lavabiancheria carica e scarica acqua di continuo. Per eliminare l'inconveniente sono disponibili in commercio apposite valvole anti-sifonaggio.

- Il programma non prevede lo scarico: con alcuni programmi occorre avviarlo manualmente (vedi pag. 18).
- È attiva l'opzione Stira meno: per completare il programma premere il tasto START/RESET (vedi pag. 19).
- Il tubo di scarico è piegato (vedi pag. 15).
- La condotta di scarico è ostruita.

- Il cestello, al momento dell'installazione, non è stato sbloccato correttamente (vedi pag. 14).
- La lavabiancheria non è in piano (vedi pag. 14).
- La lavabiancheria è stretta tra mobili e muro (vedi pag. 14).

- Il tubo di alimentazione dell'acqua non è ben avvitato (vedi pag. 14).
- Il cassetto dei detersivi è intasato (per pulirlo vedi pag. 22).
- Il tubo di scarico non è fissato bene (vedi pag. 15).

- Il detersivo non è specifico per lavabiancheria (deve esserci la dicitura "per lavatrice", "a mano e in lavatrice", o simili).
- Il dosaggio è stato eccessivo. ./.

—

Installazione

Descrizione

Programmi

Detersivi

Precauzioni

Manutenzione

Anomalie

Assistenza

## La lavabiancheria é bloccata e il display lampeggia indicando il codice di un errore (es. F-01, F.. ).

- Stà segnalando un'anomalia. Prima di chiamare l' assistenza vi preghiamo di procedere nel seguente modo:
  - 1- Premere il tasto Accensione-Spegnimento;
  - 2- Togliere la spina di alimentazione e aspettare almeno 40 secondi;
  - 3- Reinscrivere la spina di alimentazione,
  - 4- Premere il tasto Accensione-Spegnimento,
  - 5- Premere il tasto Start-Reset,
  - 6- Se dopo questa operazione persiste il difetto, chiamare l'Assistenza

### Prima di contattare l'Assistenza:

- Verificare se l'anomalia può essere risolta da soli (*vedi pag. 23*);
- Riavviare il programma per controllare se l'inconveniente è stato ovviato;
- In caso negativo, contattare il Numero Unico 199.199.199;

! Non ricorrere mai a tecnici non autorizzati.

### Comunicare:

- il tipo di anomalia;
- il modello della macchina (Mod.);
- il numero di serie (S/N);

Queste informazioni si trovano sulla targhetta applicata nella parte posteriore della lavabiancheria.

## Assistenza Attiva 7 giorni su 7



Se nasce il bisogno di assistenza o manutenzione basta chiamare il Numero Unico 199.199.199 per essere messi subito in contatto con il Centro Assistenza Tecnica più vicino al luogo da cui si chiama. È attivo 7 giorni su 7, sabato e domenica compresi, e non lascia mai inascoltata una richiesta.