

IMPORTANT:
Read Before Using

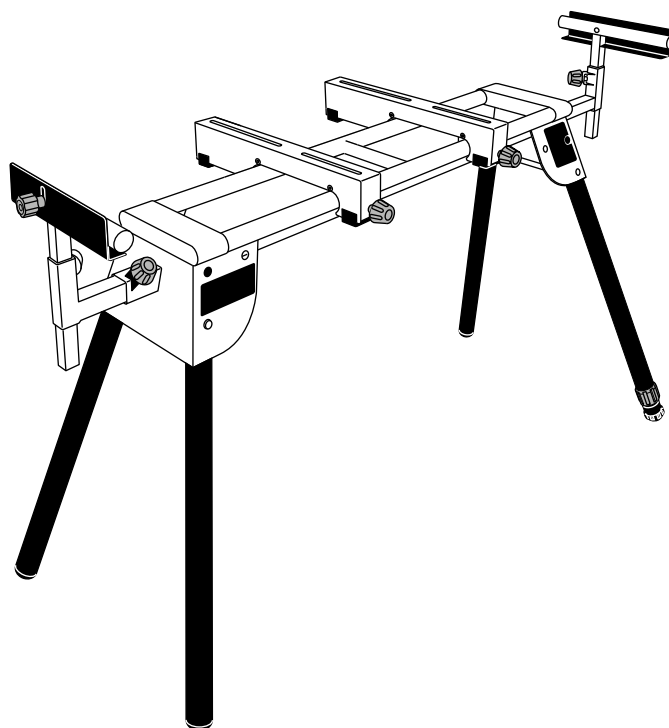
IMPORTANT :
Lire avant usage

IMPORTANTE:
Leer antes de usar



Operating/Safety Instructions
Consignes d'utilisation/de sécurité
Instrucciones de funcionamiento y seguridad

3302



SKIL[®]

**Call Toll Free for
Consumer Information
& Service Locations**

**Pour obtenir des informations et
les adresses de nos centres de
service après-vente,
appelez ce numéro gratuit**

**Llame gratis para
obtener información
para el consumidor y
ubicaciones de servicio**

1-877-SKIL999 (1-877-754-5999) www.skil.com

**For English Version
See page 2**

**Version française
Voir page 13**

**Versión en español
Ver la página 24**

Important Safety Instructions for Using This Miter Saw Stand

⚠ WARNING **Read and understand all instructions.** Failure to follow all instructions listed below and in your miter saw manual may result in serious personal injury.

Fully assemble and tighten all the fasteners required for this stand. Also remember to occasionally check the stand and make sure it is still tight. A loose stand is unstable and may shift in use and cause serious injury.

Turn tool switch off and disconnect power before mounting to the stand. Unintended startup during assembly can cause injury.

Before operating make sure the entire unit is placed on a solid, flat, level surface. Serious injury could occur if tool with stand is unstable and tips.

Never stand on tool or its stand or use as ladder or scaffolding. Serious injury could occur if the tool is tipped or the cutting tool is accidentally contacted. Do not store materials on or near the tool such that it is necessary to stand on the tool or its stand to reach them.

Use only Skil replacement parts. Any others may create a hazard.

The Miter Saw should be firmly mounted to the stand per the instruction manual.

After mounting the Miter Saw to the stand, align, position and balance the Miter Saw per the instruction manual.

Before use, verify that all stand parts are free from damage and/or deformity.

Before use, verify that all parts or components of the stand are properly installed.

Before use, swing open each of the legs until the pin clicks, locking the legs in position.

When mounting the Miter Saw to the stand, make sure that the tool mounting brackets are in the “UNLOCK” position, so the tool mount will engage with the rails. Be sure to hold the saw until it is secured to prevent it from falling off the rails. Mounting bracket locking knobs should then be tightened.

When removing the Miter Saw from the stand, loosen the mounting bracket locking knobs until they rotate to the “UNLOCK” position. Hold the Miter Saw firmly to prevent the saw from falling off the rails. Carefully remove the Miter Saw.

Do not modify the stand in any manner or use the stand for any purpose other than is stated in these instructions.

Because cut material may cause the stand to become unbalanced, always be sure the material is supported properly. Also, if the piece being cut is placed far beyond the work support, stand legs on the opposite side may suddenly be lifted up due to weight imbalance. To prevent this from occurring, hold the opposite side firmly before cutting.

⚠ WARNING **To reduce the risk of injury, always follow all steps in the stand compatibility test on page 10 before operating your Miter Saw. Do not use miter saw with stand if they fail the stand compatibility test.**

Table of Contents

Safety Instructions for Miter Saw Stands.....	2	Attaching saw without Quick Mount System™ to saw mounting brackets and stand	8-9
Table of Contents.....	3	Adjustments	10
Unpacking and Checking Contents	4	Operation	11
Getting to Know Your Miter Saw Stand	5	Maintenance	12
Assembly	6		
Attaching saw with Quick Mount™ System to stand	7		

Unpacking and Checking Contents

⚠ WARNING For your own safety, never connect plug to power source outlet until all assembly steps are complete and until you have read and understood the entire owner's manual.

Model 3302 Miter Saw Stand is shipped complete in one box.

Unpacking and Checking Contents

Separate all parts from packing materials and check each one with the "Table of Loose Parts" to make sure all items are accounted for before discarding any packing material.

⚠ WARNING If any parts are missing, do not attempt to assemble the stand until the missing parts are obtained and are installed correctly.

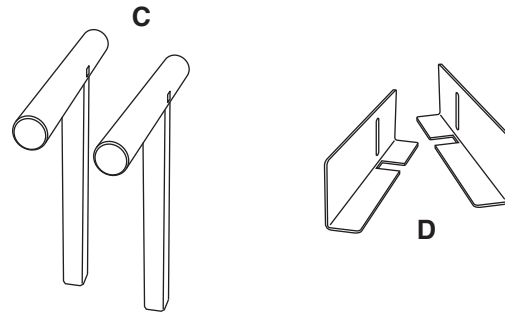
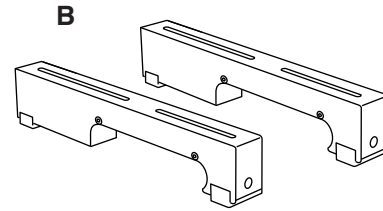
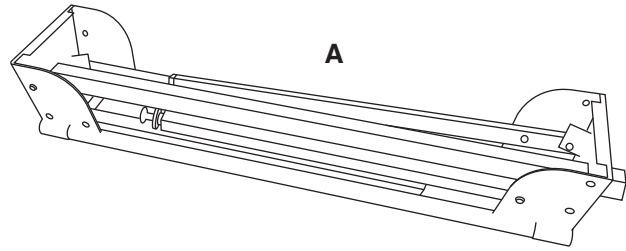
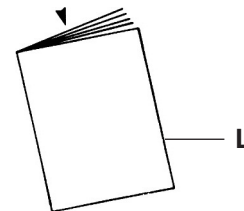
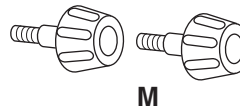
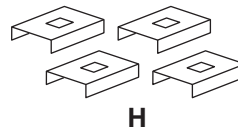
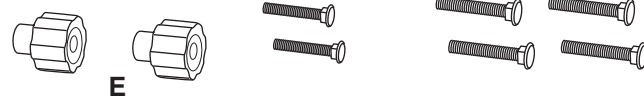


Table of Loose Parts

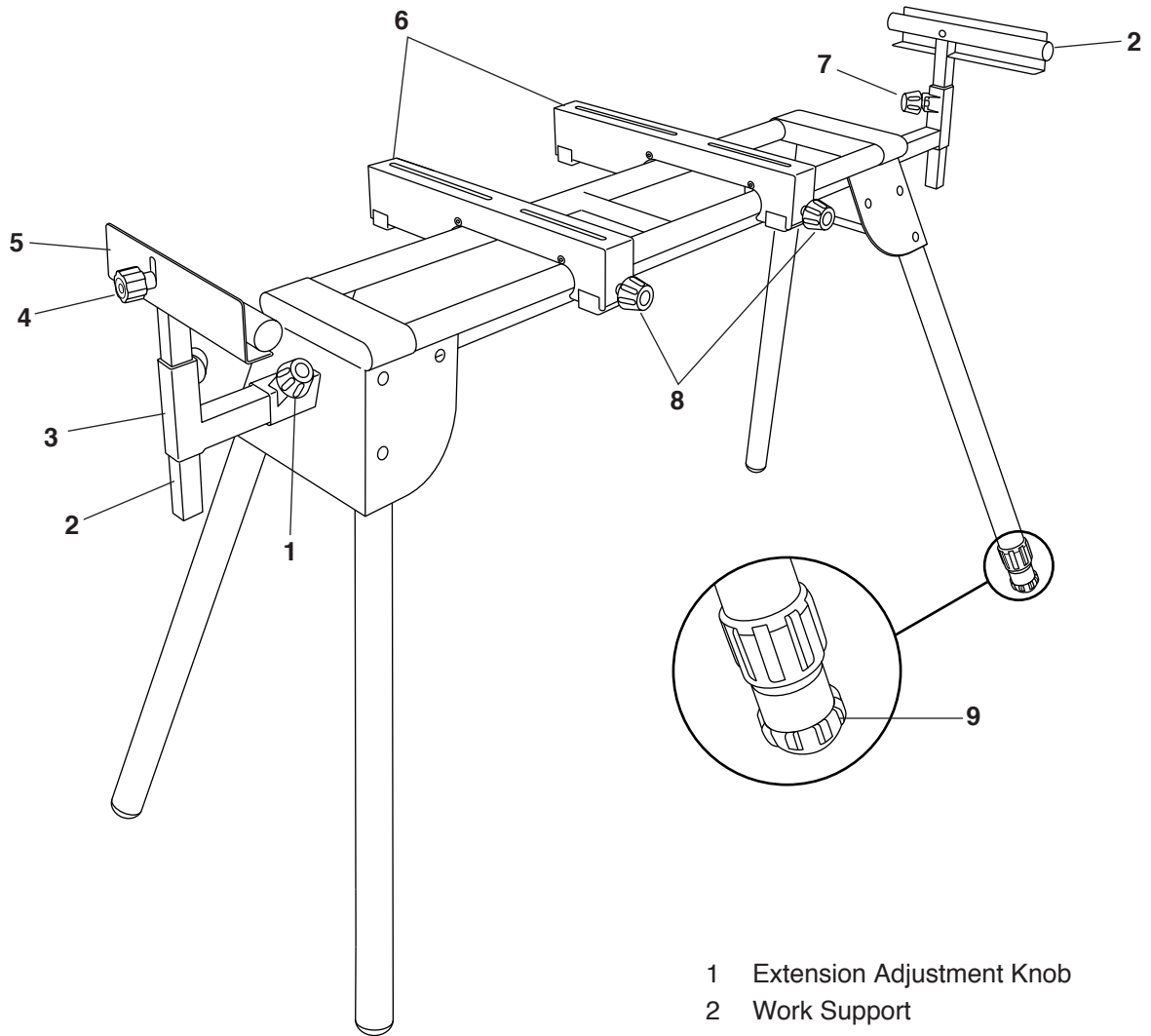
ITEM	DESCRIPTION	QTY.
A	Miter Saw Stand	1
B	Saw Mounting Brackets	2
C	Work Supports	2
D	Work Stops	2

STAND ASSEMBLY HARDWARE (packaged in one bag)

E	Work Stop Adjustment Knobs	2
F	Carriage Bolts (M6 x 60 mm)	2
G	Carriage Bolts (5/16 in. x 2 in.)	4
H	Sliding Mounting Plates	4
I	Flat Washers	4
J	Lock Washers	4
K	Nuts	4
L	Operating Guide	1
M	Bracket Locking Knob	2



Getting To Know Your Miter Saw Stand



- 1 Extension Adjustment Knob
- 2 Work Support
- 3 Extension Rail
- 4 Work Stop Adjustment Knob
- 5 Work Stop
- 6 Saw Mounting Bracket
- 7 Work Support Adjustment Knob
- 8 Bracket Locking Knob
- 9 Adjustable Foot

Assembly

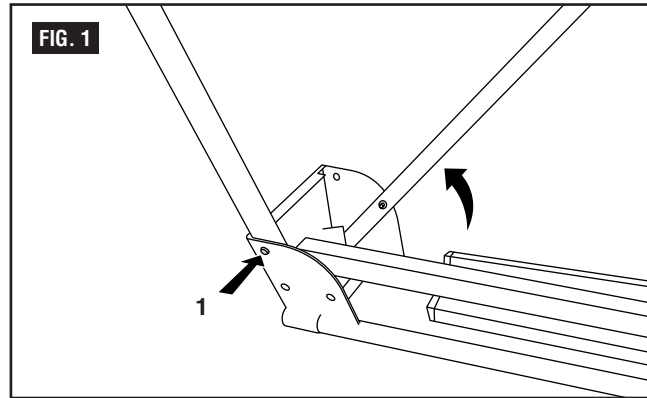
TOOLS NEEDED FOR ASSEMBLY

- Adjustable wrench
- Phillips® screwdriver

PREPARING THE STAND

See Figure 1.

1. Lay the stand's top surface down on the floor with the folded legs on top.
2. Push in a leg locking pin (1) and rotate that leg up until the locking pin clicks into place.
3. Repeat with the remaining three legs.
4. Lift the stand and place it in an upright position.
5. Check to ensure the stand is stable and all the legs have the locking pins engaged.



ASSEMBLING AND INSTALLING MATERIAL WORK SUPPORTS

See Figures 2 - 3.

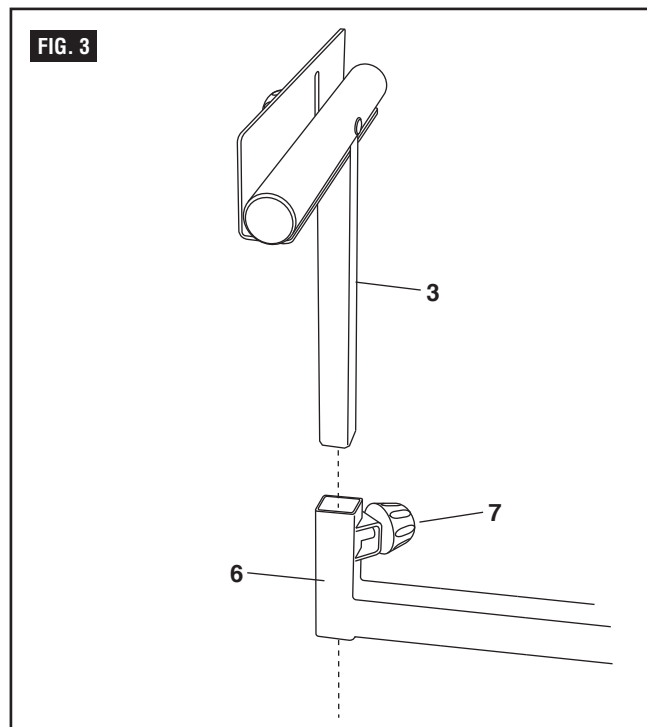
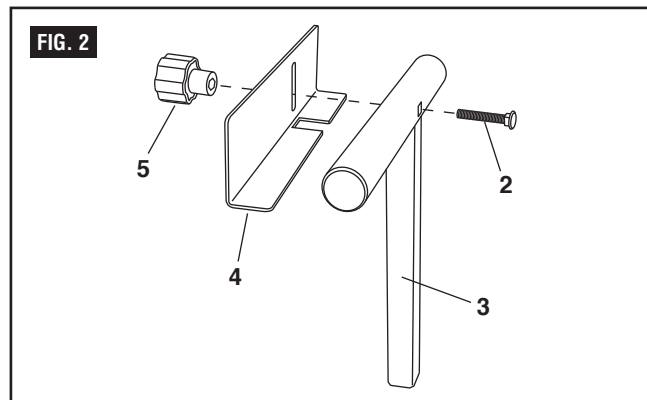
The material work supports help balance the workpiece during cutting operations.

To assemble the work support:

1. Slide a M6 x 60 mm carriage bolt (2) through the square hole in the work support (3) and extend through the other side.
2. Place the work stop (4) over the end of the bolt.
3. Thread a work stop adjustment knob (5) over the end of the bolt and tighten to secure.

To install the work supports:

1. Slide the work support (3) into the extension rail (6). Position the work support at the desired height on the extension rail and tighten (7) in place.
2. Repeat with the other support.



Attaching saw with Quick Mount System™ to stand

(Saw not included)

⚠ WARNING Turn tool switch off and disconnect power before mounting to the stand. Unintended startup during assembly can cause injury.

Make sure stand is fully assembled.

Place stand on solid, level surface.

See Figures 4 - 5.

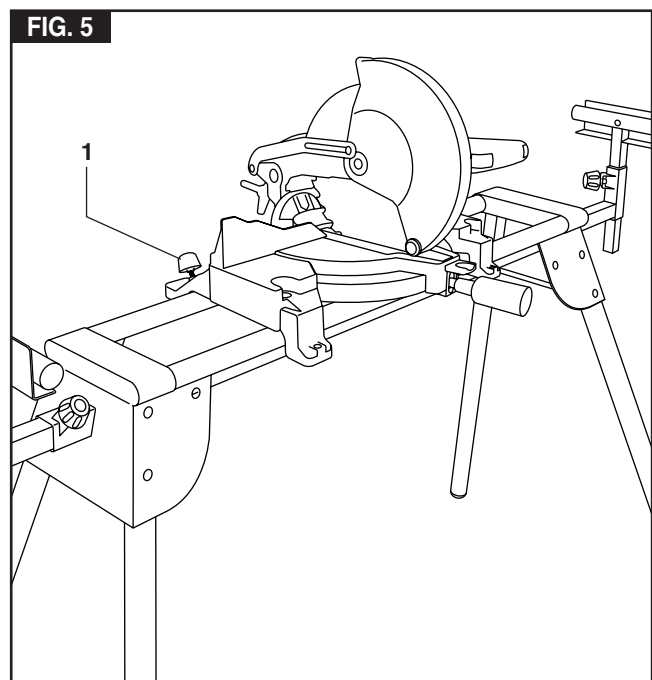
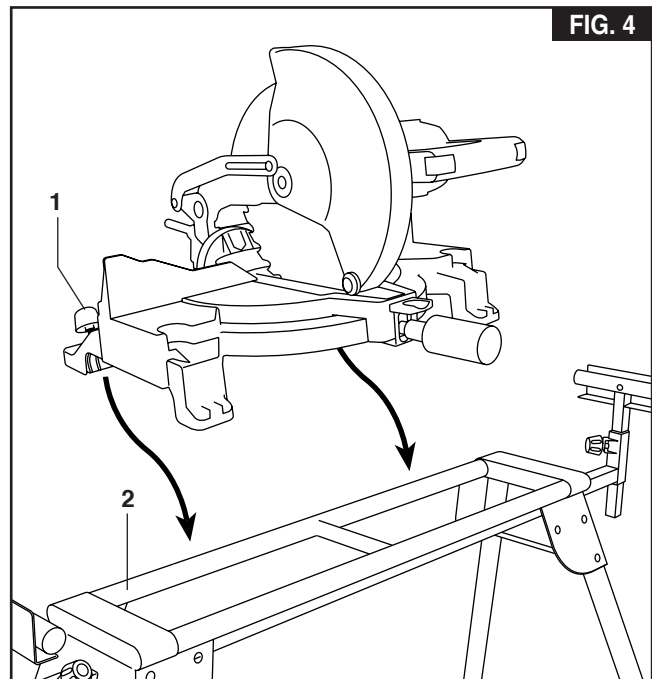
1. Rotate the two quick clamp knobs **1** on each side of the rear portion saw base counterclockwise until they are retracted as far as they will go.
2. Lift the saw, allowing it to tilt slightly away from your body.
3. While still tilted away from you, hook the rear edge of the saw base onto the rear rail **2** of the stand, figure 4.

⚠ WARNING To avoid serious personal injury, make sure the curved rear edge of the saw base and clamps are securely seated over the rear rail before seating the other end of the saw base. Failure to do so could cause you to lose control of the saw mounting assembly.

4. Lower the saw to allow the front edge of the saw base to seat fully over the front rail, figure 5.
5. Check position and adjust, if necessary, to make sure the weight of the saw is evenly balanced over the rails as shown in figure 5.
6. Rotate the two quick lock knobs **1** clockwise and securely tighten.
7. Ensure the saw base is fully seated and locked in position.

To remove saw from stand:

1. Rotate the two quick clamp knobs counterclockwise.
2. Lift the saw away from the front rail of the stand to disengage.
3. With the assembly tilted slightly away from you, lift the rear part of the saw base to disengage from the front rail of the stand.



Attaching saw without Quick Mount System™ to saw mounting brackets and stand

PREPARING SAW MOUNTING BRACKETS

See Figure 6.

1. Place a sliding mounting plate (1) onto each of four 5/16 in. x 2 in. carriage bolts (2) and feed bolts into both mounting brackets (3) as shown in figure 6.
2. Thread one bracket locking knob (7) into the end of each extension rail (3) as shown.

ATTACHING SAW WITHOUT QUICK MOUNT SYSTEM™ TO SAW MOUNTING BRACKETS

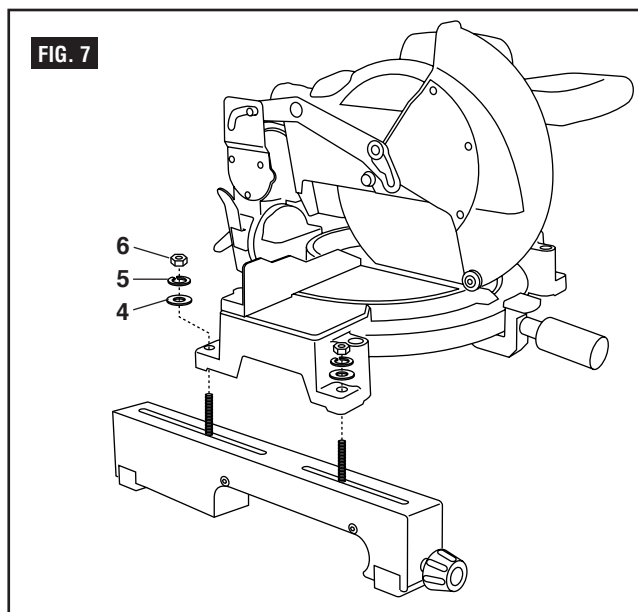
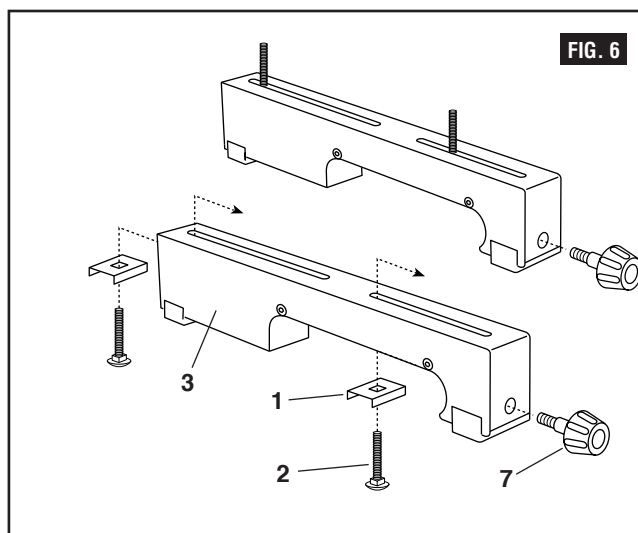
⚠ WARNING Turn tool switch off and disconnect power before mounting to the stand. Unintended startup during assembly can cause injury.

See Figure 7.

Always position the saw to achieve maximum balance and stability. All four corners of the saw must be bolted to the mounting brackets before use. Make sure bolts do not extend above the table of the miter saw.

If the saw has four holes that line up with the slots in the saw mounting brackets:

1. Unplug the saw and lock the saw arm in the down position.
2. Lift one side of the saw and place a saw mounting bracket underneath, aligning the carriage bolts with the miter saw mounting holes, as shown in figure 7.
3. Lower the saw down onto the bracket, feeding the carriage bolts through the mounting holes.
4. Secure in place using a flat washer (4), lock washer (5), and nut (6).
5. Repeat steps 1 through 4 to install second bracket to the other side of the saw.
6. After making sure both brackets are parallel to each other, finger tighten all four nuts to hold in position.



MOUNTING THE MITER SAW TO STAND

See Figures 8 - 9.

1. Lift the saw and bracket assembly, allowing the assembly to tilt slightly toward your body.
2. While still tilted toward you, hook the front edge of the bracket assembly onto the front rail (1) of the stand, figure 8.

⚠ WARNING To avoid serious personal injury, make sure the curved front edge of the mounting brackets are securely seated over the front rail before seating the other end of the brackets. Failure to do so could cause you to lose control of the saw mounting assembly.

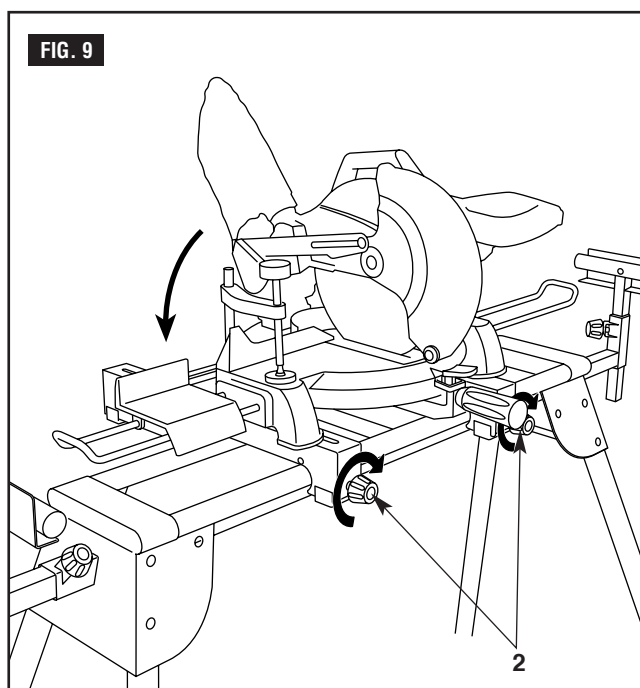
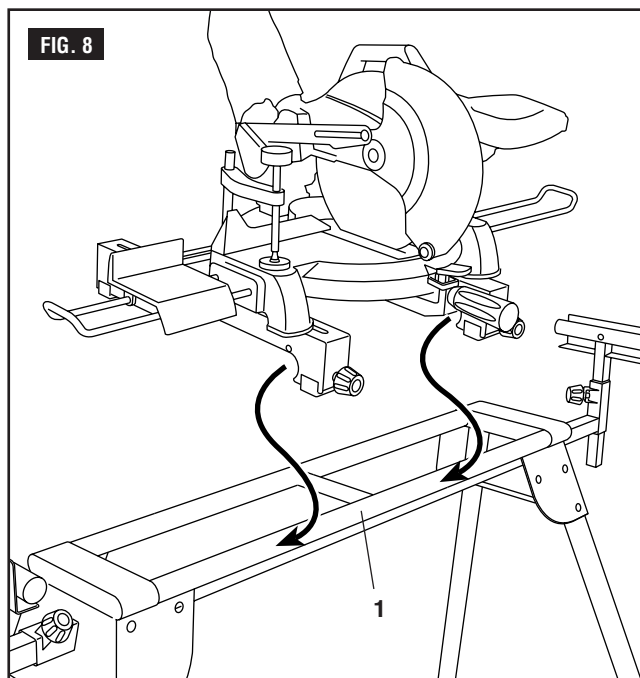
3. Lower the bracket assembly to allow the rear edge of the bracket to seat fully over the rear rail, figure 9.
4. Lock the brackets in position by tightening the locking knobs (2).

NOTE: Continue to hold the mounting bracket assembly with one hand until both levers are securely locked.

5. Check position and adjust, if necessary, to make sure the weight of the saw is evenly balanced over the rails as shown in figure 9.
6. Ensure the saw is fully seated and locked in position, then securely tighten the four nuts holding the saw to the saw mounting brackets.

To remove saw from stand:

1. Loosen the locking knobs to unlock the saw and mounting bracket assembly.
2. Lift the saw away from the rear rail of the stand to disengage.
3. With the assembly tilted slightly toward you, lift the front part of the assembly to disengage from the front rail of the stand.



⚠ WARNING The mounting brackets are designed to fit snugly over the stand rails. With the locking knobs in the tightened (locked) position, you should not be able to remove the saw and bracket assembly from the rails. If the mounting brackets will not fit over the rails, or if the mounting brackets can be removed from the rails when the brackets are locked, remove from the saw and bracket assembly immediately and tighten the bracket adjustment screw as described in the Adjustments section of this manual. Failure to heed this warning may result in personal injury.

Adjustments

BRACKET ADJUSTMENT SCREW

See Figure 10.

Mounting brackets are designed to fit snugly over the stand rails. With the locking knobs are tightened to their locked position, you should not be able to remove the saw and bracket assembly from the rails. If the saw and bracket assembly can be removed from the rails when locked, the bracket adjustment screws need to be tightened. If the saw and bracket assembly will not fit over both rails, the bracket adjustment screws need to be loosened.

NOTE: The saw should be removed from the mounting brackets before attempting to tighten or loosen the bracket adjustment screws.

To adjust:

1. Use a wrench (1) to slightly loosen the nut (2).
2. Turn the screw (3) with a phillips screwdriver (4). Rotate clockwise if the bracket assembly needs to be tightened or counterclockwise if the assembly needs to be loosened.
3. Install the bracket on the miter stand rails and tighten the bracket locking knob to check the adjustment.
4. When the correct position is achieved, wrench tighten the nut to secure.
5. Repeat with the second mounting bracket.

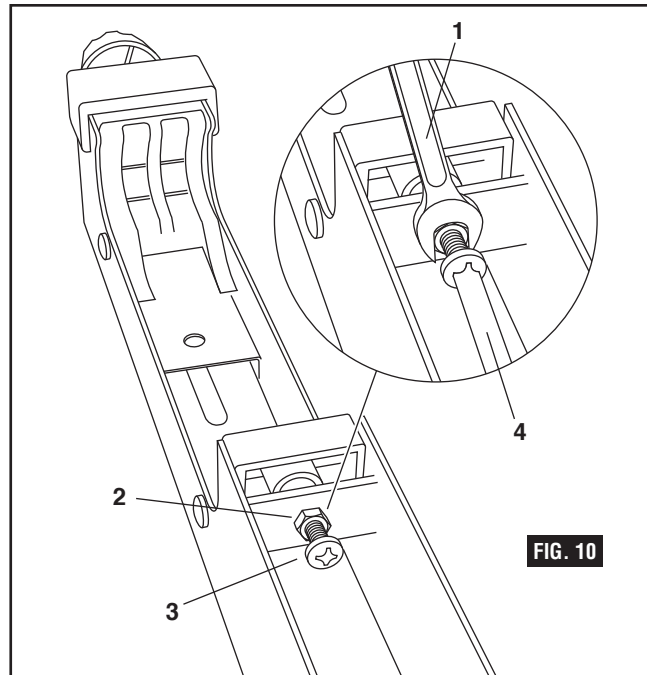


FIG. 10

TO LEVEL STAND

See Figure 11.

The stand is equipped with an adjustable foot for leveling the stand.

To adjust: loosen wing nut (1) and adjust the height of the foot (2) by screwing the threaded shaft clockwise to raise foot or counter-clockwise to lower foot. Retighten wing nut securely.

⚠ WARNING To reduce the risk of injury, ensure the stand is stable and level before operating the saw. Choose a level area to set-up the stand and adjust the adjustable foot so that all four legs are touching the ground.

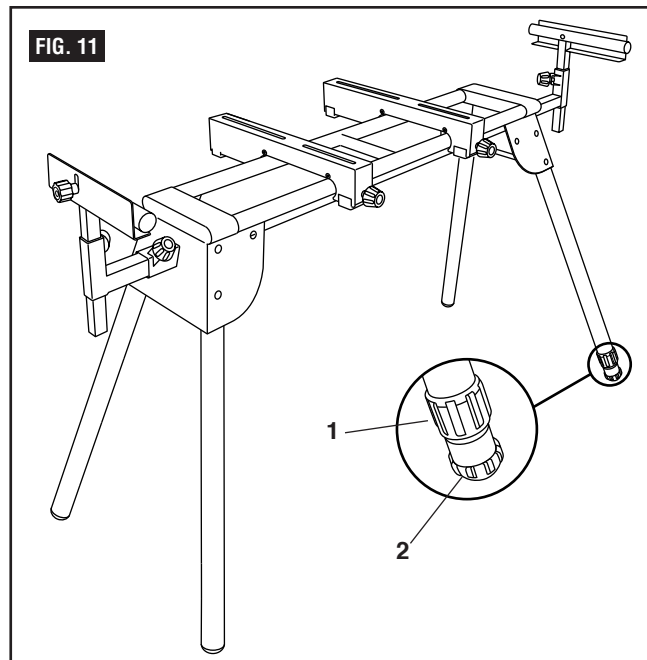


FIG. 11

STAND COMPATABILITY TEST

With the saw mounted on the stand:

1. Lower the miter saw head to the full cut position and release the miter saw head uncontrolled from the full cut position. The saw and stand shall not tip over.
2. Check for fit and function. There shall be no

interference of miter saw throughout the full range of miter, bevel and compound cut.

3. The work support shall be able to adjust to a height that is level with the table top of the miter saw."

Operation

USING THE EXTENSION RAILS

See Figure 12.

Use the extension rails (1) when working with larger workpieces.

To extend the rails:

1. Loosen the extension adjustment knob (2).
2. Extend the rail (1) to the desired position.
3. Tighten the extension adjustment knob.

WORK SUPPORT HEIGHT ADJUSTMENT

See Figure 13.

1. Loosen the work support locking knob (4) located at the end of the expansion rail, as shown in figure 13, and raise the work height support (4) so it is level with the table top of the attached miter saw.
2. Retighten knob and repeat on opposite side.

⚠ WARNING To reduce the risk of injury, ensure that the work supports are adjusted so that the workpiece sits flat on the miter saw table. Workpieces that do not sit flat could cause the blade to bind during cutting.

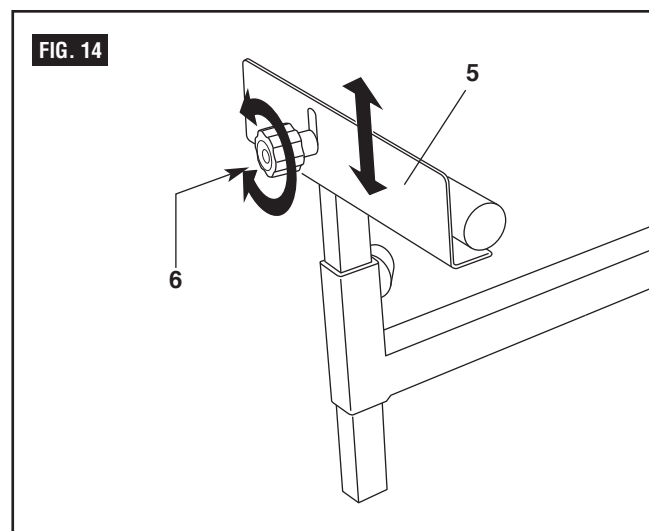
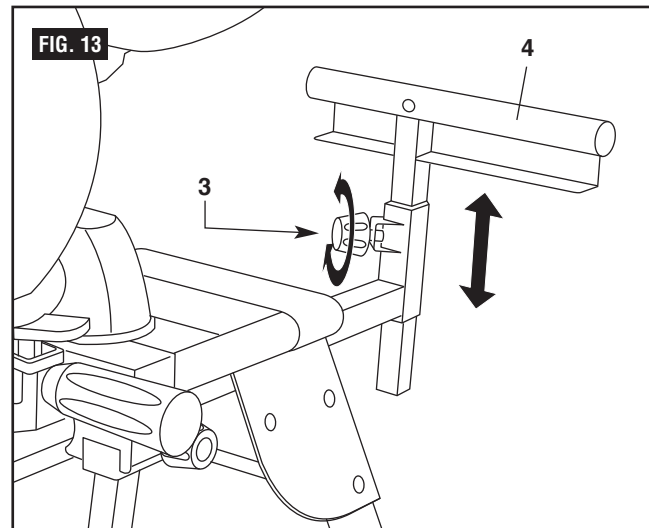
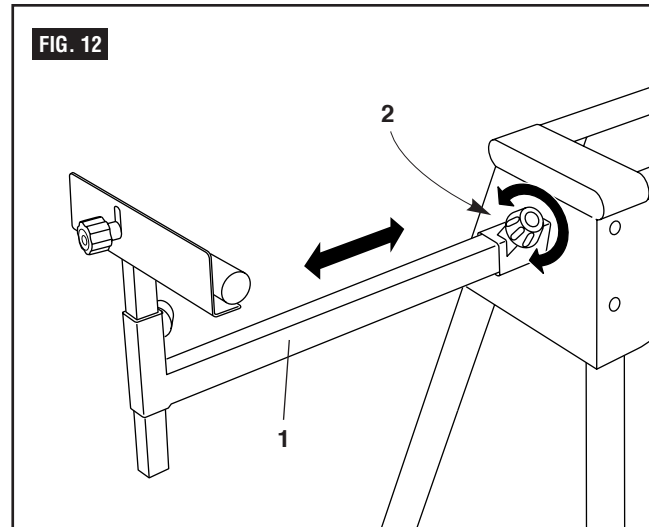
USING THE WORK STOPS

See Figure 14.

Raise the work stops (5) whenever you need to make repetitive cuts of the same size. To avoid a greater risk of binding or pinching, do not use both work stops at the same time.

To raise the work stops:

1. Loosen the work stop adjustment knob (6).
2. Raise the work stop (5) to the desired position.
3. Tighten the work stop adjustment knob.



Maintenance

⚠ WARNING To reduce the risk of injury, periodically check that all fasteners are attached and adjusted according to the assembly instructions included in this manual.

SERVICE

For service or to order replacement parts and accessories for tools with model numbers NOT beginning with "HD"

In the United States

Call: 1-800-346-4103

⚠ WARNING When servicing, use only identical Skill replacement parts. Use of any other parts may create a hazard or cause product damage.

CLEANING

Avoid using solvents when cleaning plastic parts. Most plastics are susceptible to damage from various types of commercial solvents and may be damaged by their use. Use clean cloths to remove dirt, dust, oil, grease, etc.

⚠ WARNING Do not at any time let brake fluids, gasoline, petroleum-based products, penetrating oils, etc., come in contact with plastic parts. Chemicals can damage, weaken or destroy plastic which may result in serious personal injury.

Consignes de sécurité importantes pour l'utilisation de ce support pour scie à onglet

⚠ AVERTISSEMENT Lisez et comprenez toutes les instructions. Le non-respect de toutes les instructions indiquées ci-dessous et dans le mode d'emploi de votre scie à onglet pourrait causer des blessures graves.

Assemblez complètement et serrez toutes les attaches de fixation requises pour ce support. Souvenez-vous aussi d'inspecter le support de temps en temps pour vous assurer que ses attaches de fixation sont toujours bien serrées. Un support dont les attaches de fixation seraient desserrées est instable et risquerait de bouger pendant l'emploi et de causer des blessures graves.

Mettez l'interrupteur de l'outil en position d'arrêt et débranchez le cordon d'alimentation avant de monter la scie sur le support. Une mise en marche accidentelle pendant le montage risquerait de causer des blessures graves.

Avant de mettre la scie en marche, assurez-vous qu'elle repose entièrement sur une surface solide, plate et horizontale. Le placement de la scie sur un support instable risquerait de la faire basculer et de causer des blessures graves.

Ne montez jamais sur la scie ou sur son support, et ne l'utilisez pas pour servir d'échelle ou d'échafaudage. Vous risqueriez une blessure grave si l'outil basculait ou en cas de contact accidentel avec l'outil. Ne placez pas de matériaux sur l'outil ou à proximité de celui-ci de telle manière qu'il pourrait être nécessaire de monter sur l'outil ou sur son support pour les atteindre.

N'utilisez que des pièces de rechange Skil ; l'emploi de pièces différentes risquerait d'être dangereux.

La scie à onglet doit être montée fermement sur le support, conformément au mode d'emploi.

Après avoir monté la scie à onglet sur le support, alignez, positionnez et équilibrez la scie à onglet conformément au mode d'emploi.

⚠ AVERTISSEMENT Pour réduire le risque de blessure, suivez toujours toute la procédure indiquée dans le test de compatibilité du support à la page 21 avant de vous servir de votre scie à onglet. N'utilisez pas la scie à onglet avec un support qui n'aurait pas passé avec succès le test de compatibilité avec la scie.

Avant l'emploi, assurez-vous qu'aucune des parties du support n'est endommagée et/ou déformée.

Avant l'emploi, assurez-vous que tous les éléments ou composants du support sont installés correctement.

Avant l'emploi, ouvrez chacun des pieds jusqu'à ce que vous entendiez le déclic indiquant que le pied est verrouillé en position ouverte.

Lorsque vous installez la scie à onglet sur le support, assurez-vous que les dispositifs de fixation de l'outil sont dans la position non verrouillée (« UNLOCK ») pour permettre à la monture de l'outil de s'engager sur les rails. Tenez toujours la scie dans vos mains tant qu'elle n'est pas assujettie en position verrouillée afin de ne pas risquer qu'elle tombe des rails. Serrez les boutons de verrouillage des dispositifs de fixation.

Lorsque vous retirez la scie à onglet du support, desserrez les boutons de verrouillage des dispositifs de fixation jusqu'à ce qu'ils tournent et se mettent dans la position non verrouillée (« UNLOCK »). Tenez fermement la scie à onglet pour l'empêcher de glisser hors des rails et de tomber. Retirez la scie à onglet avec précaution.

Ne modifiez pas le support de quelque manière que ce soit et ne l'utilisez pas dans un but autre que celui qui est indiqué dans ces instructions.

Étant donné que les matériaux que vous coupez risquent d'affecter l'équilibre du support, assurez-vous toujours que l'ouvrage est suffisamment supporté. En outre, si le matériau que vous coupez est placé de telle sorte qu'il dépasse nettement le support de la scie, les pieds du côté opposé risquent d'être soulevés tout à coup en raison du déséquilibre du poids. Pour ne pas risquer que cela se produise, tenez fermement le côté opposé avant de commencer à couper.

Table des matières

Consignes de sécurité pour les supports pour scie à onglet ..13	Montage de la scie sur le support et les dispositifs de fixation de la scie sans le système Quick Mount™19-20
Table des matières14	Réglages.....21
Déballage et inspection du contenu.....15	Fonctionnement22
Connaissance élémentaire de votre support pour scie à onglet16	Entretien23
Assemblage17	
Montage de la scie sur le support avec le système Quick Mount™18	

Déballage et inspection du contenu

AVERTISSEMENT Pour votre propre sécurité, ne branchez jamais la fiche dans une prise de courant avant que toutes les étapes de l'assemblage n'aient été accomplies – et avant d'avoir lu et compris tout le mode d'emploi.

Le support de la scie à onglet modèle 3302 est expédié au complet dans une seule boîte.

Déballage et inspection du contenu

Déballage et inspection du contenu. Séparez toutes les « pièces en vrac » des matériaux d'emballage et comparez chaque élément à l'écriture correspondante dans le « Tableau des pièces en vrac » afin de vous assurer que tous les éléments sont présents avant de jeter de quelconques matériaux d'emballage.

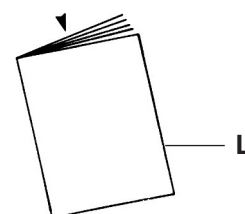
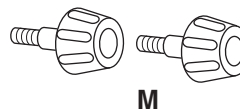
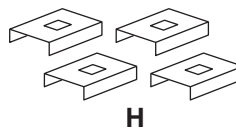
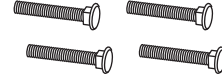
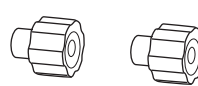
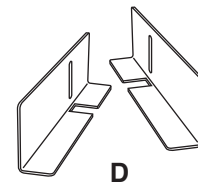
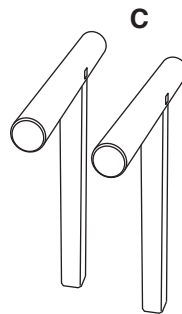
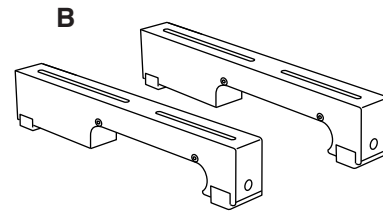
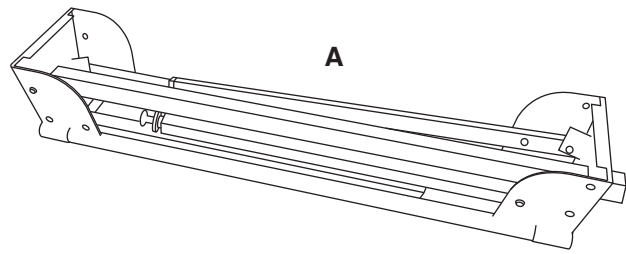
AVERTISSEMENT Si des pièces sont manquantes, ne tentez pas d'assembler le support avant de vous être procuré les pièces manquantes et de les avoir installées correctement.

Tableau des pièces en vrac

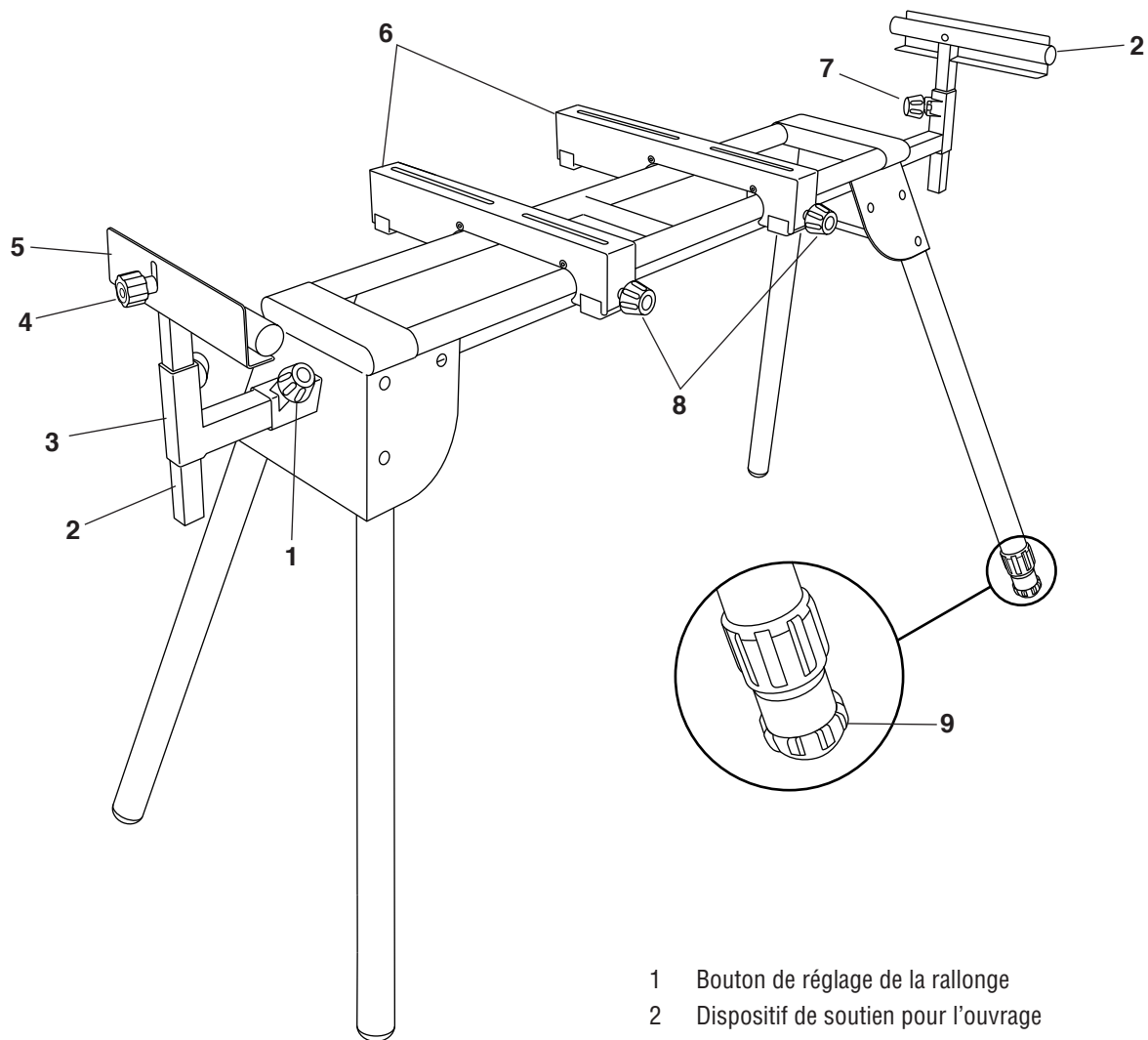
Article	Description	Qté
A	Support pour scie à onglet	1
B	Dispositifs de fixation de la scie	2
C	Dispositifs de soutien pour l'ouvrage	2
D	Butées pour l'ouvrage	2

QUINCAILLERIE DE MONTAGE DU SUPPORT (conditionnée dans un sac)

E	Boutons de réglage des butées pour l'ouvrage	2
F	Boulons à tête bombée (M6 x 60 mm)	2
G	Boulons à tête bombée (5/16 po x 2 po)	4
H	Plaques de montage coulissantes	4
I	Rondelles plates	4
J	Rondelles Grower	4
K	Écrous	4
L	Guide d'utilisation	1
M	Bouton de verrouillage du dispositif de fixation	2



Connaissance élémentaire de votre support pour scie à onglet



- 1 Bouton de réglage de la rallonge
- 2 Dispositif de soutien pour l'ouvrage
- 3 Rail de rallonge
- 4 Bouton de réglage de la butée pour l'ouvrage
- 5 Butée pour l'ouvrage
- 6 Dispositif de fixation pour la scie
- 7 Bouton de réglage du dispositif de soutien de l'ouvrage
- 8 Bouton de verrouillage du dispositif de fixation
- 9 Pied réglable

Assemblage

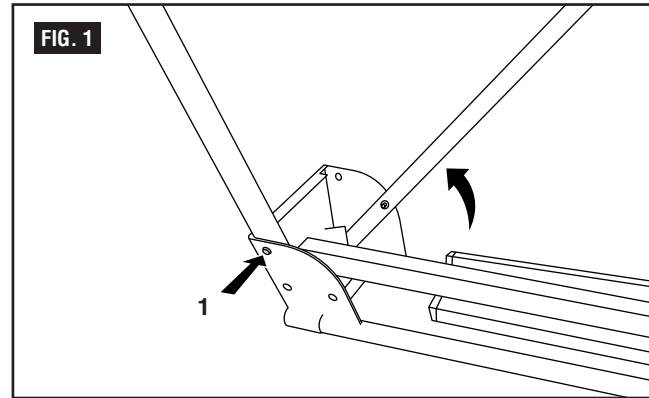
OUTILS NÉCESSAIRES À L'ASSEMBLAGE

- Clé à ouverture variable
- Tournevis à pointe cruciforme

PRÉPARATION DU SUPPORT

Voir Figure 1.

1. Posez la surface supérieure du support sur le sol avec les pieds repliés vers le haut.
2. Appuyez sur la broche de verrouillage du pied (1) et faites tourner ce pied vers le haut jusqu'à ce que la broche de verrouillage se mette à sa place en émettant un déclic.
3. Faites de même avec les trois autres pieds.
4. Soulevez le support et placez-le en position verticale.
5. Vérifiez pour vous assurer que le support est stable et que tous les pieds sont verrouillés par les broches prévues à cet effet.



ASSEMBLAGE ET INSTALLATION DES DISPOSITIFS DE SOUTIEN DE L'OUVRAGE

Voir Figures 2 – 3.

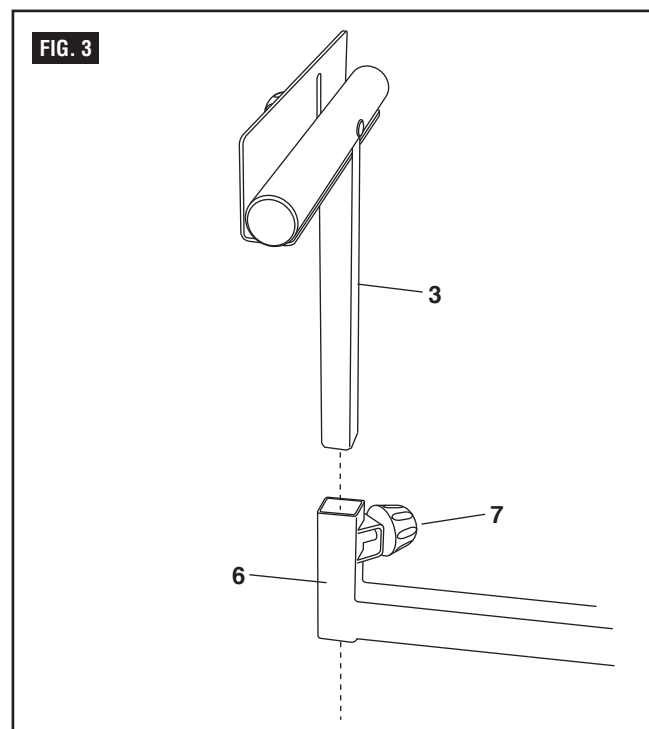
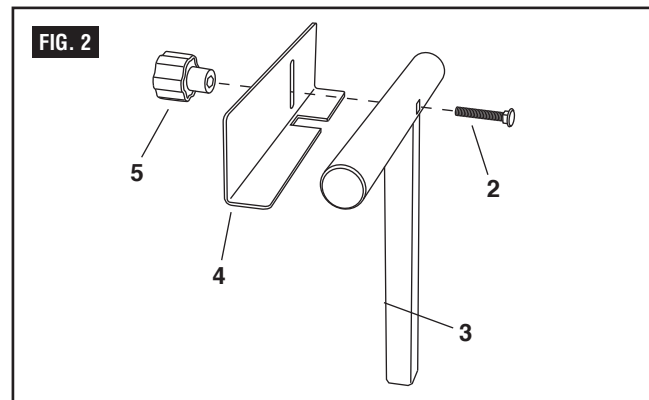
Les dispositifs de soutien de l'ouvrage contribuent à équilibrer celui-ci pendant les opérations de coupe.

Pour assembler les dispositifs de soutien de l'ouvrage :

1. Glissez un boulon à tête bombée M6 x 60 mm (2) à travers le trou carré dans le dispositif de soutien de l'ouvrage (3) et faites-le traverser jusqu'à l'autre côté.
2. Placez la butée pour l'ouvrage (4) au-dessus du bout du boulon.
3. Enfillez un bouton de réglage de la butée pour l'ouvrage (5) au-dessus du bout du boulon et serrez pour bien l'assujettir.

Pour installer les dispositifs de soutien de l'ouvrage :

1. Glissez le dispositif de soutien de l'ouvrage (3) sur le rail de rallonge (6). Positionnez le dispositif de soutien de l'ouvrage à la hauteur désirée sur le rail de rallonge et serrez (7) en place.
2. Faites de même avec l'autre dispositif de soutien.



Montage de la scie sur le support avec le système Quick Mount™

(Scie non fourni)

⚠ AVERTISSEMENT Mettez l'interrupteur de l'outil en position d'arrêt et débranchez le cordon d'alimentation avant de monter la scie sur le support. Une mise en marche accidentelle pendant le montage risquerait de causer des blessures graves.

Placez le support sur une surface solide et de niveau.

Voir Figures 4 –5.

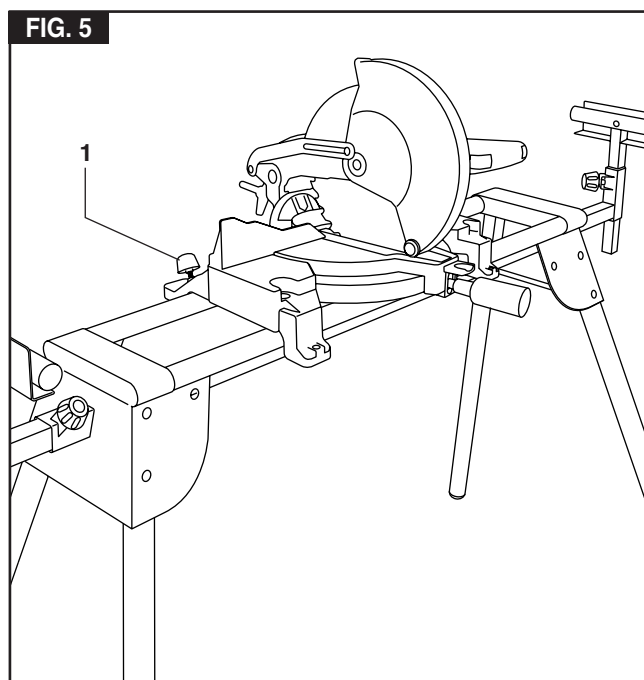
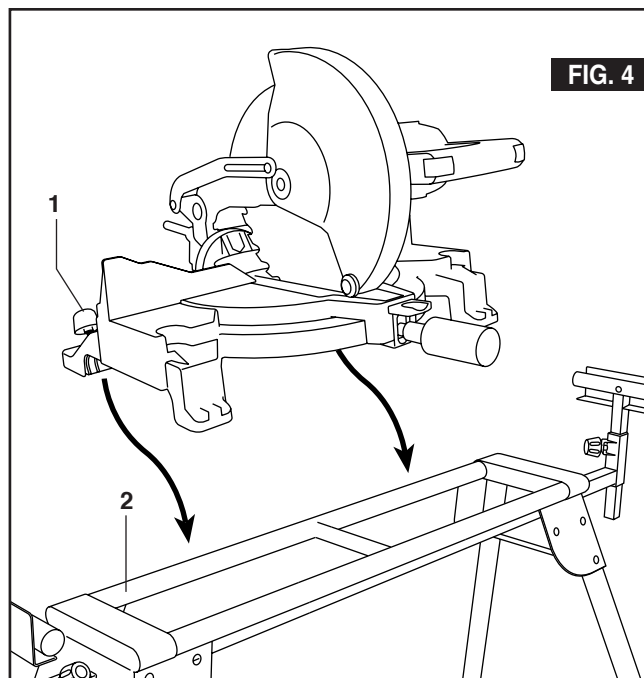
1. Faites tourner les deux boutons de serrage rapide des brides de fixation **1** de chaque côté de la partie arrière de la base de la scie dans le sens contraire des aiguilles d'une montre jusqu'à ce que les brides de fixation sont rétractées autant que possible.
2. Soulevez la scie en la laissant s'incliner légèrement dans le sens opposé à celui de votre corps.
3. Pendant que la scie est toujours inclinée légèrement dans le sens opposé à celui de votre corps, accrochez le bord arrière de la base de la scie au rail arrière **2** du support (Figure 4).

⚠ AVERTISSEMENT Pour ne pas risquer de subir de blessure grave, assurez-vous que le bord avant recourbé des dispositifs de fixation repose bien au-dessus du rail du devant avant de mettre en place l'autre bout des dispositifs de fixation. Si vous ne faites pas cela, vous risquez de perdre le contrôle de l'ensemble de montage de la scie.

4. Abaissez la scie afin de permettre au bord avant de la base de la scie de reposer complètement au-dessus du rail avant (Figure 5).
5. Vérifiez la position et effectuez un réglage si besoin est pour vous assurer que le poids de la scie est équilibré uniformément au-dessus des rails comme illustré à la Figure 5.
6. Faites tourner les deux boutons de blocage rapide **1** dans le sens des aiguilles d'une montre et serrez-les fermement.
7. Assurez-vous que la base de la scie est bien en place et est verrouillée en place.

Pour retirer la scie du support :

1. Faites tourner les deux boutons de serrage rapide des brides de fixation dans le sens contraire des aiguilles d'une montre.
2. Soulevez la scie pour la détacher du rail avant du support afin de la désengager.
3. Avec l'ensemble toujours incliné légèrement dans le sens opposé à celui de votre corps, soulevez la partie arrière de la base de la scie afin de la désengager du rail avant du support.



Montage de la scie sur le support et les dispositifs de fixation de la scie sans le système Quick Mount™

PRÉPARATION DES DISPOSITIFS DE FIXATION DE LA SCIE

Voir Figure 6.

1. Placez une plaque de montage coulissante (1) sur chacun des quatre boulons à tête bombée de 5/16 po x 2 po (2) et enfitez les boulons dans les deux dispositifs de fixation (3) comme illustré à la Figure 6.
2. Insérez un bouton de verrouillage du dispositif de fixation (7) dans l'extrémité de chaque rail de rallonge (3) de la façon illustrée.

MONTAGE DE LA SCIE SUR LES DISPOSITIFS DE FIXATION DE LA SCIE SANS LE SYSTÈME QUICK MOUNT™

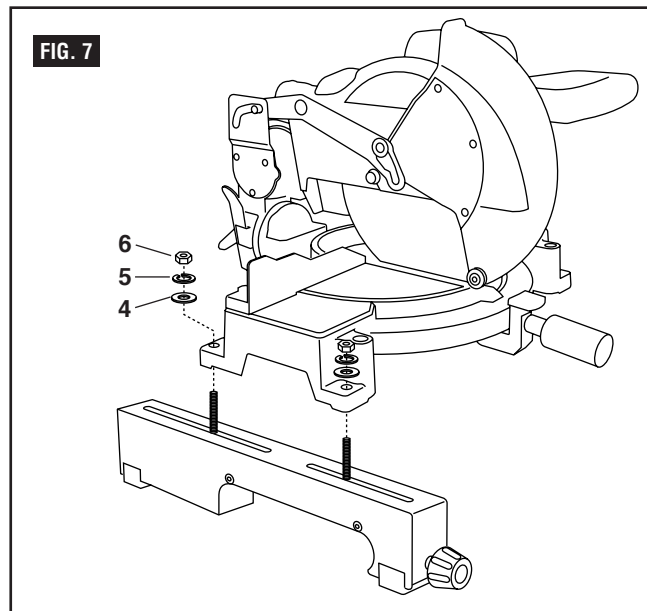
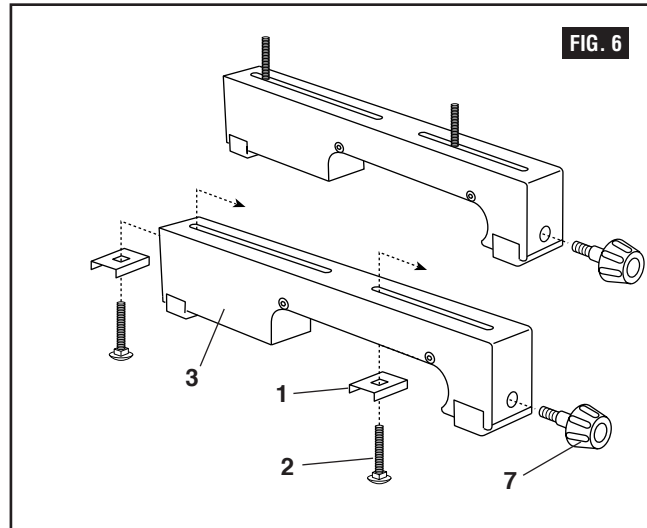
AVERTISSEMENT Mettez l'interrupteur de l'outil en position d'arrêt et débranchez le cordon d'alimentation avant de monter la scie sur le support. Une mise en marche accidentelle pendant le montage risquerait de causer des blessures graves.

Voir Figure 7.

Positionnez toujours la scie de façon à assurer le meilleur équilibre possible et le maximum de stabilité. Tous les quatre coins de la scie doivent être boulonnés aux dispositifs de fixation avant l'emploi. Assurez-vous que les boulons ne dépassent pas au-dessus de la table sur laquelle la scie à onglet doit être placée.

Si la scie est munie de quatre trous qui s'alignent avec les fentes dans les dispositifs de fixation de la scie :

1. Débranchez la scie et verrouillez le bras de la scie en position abaissée.
2. Soulevez un côté de la scie et placez un dispositif de fixation de la scie en dessous, en alignant les boulons à tête bombée avec les trous de montage de la scie à onglet, comme illustré à la Figure 7.
3. Abaissez la scie pour qu'elle repose sur le dispositif de soutien, et faites passer les boulons à tête bombée à travers les trous de montage.
4. Assujettissez en place au moyen d'une rondelle plate (4), d'une rondelle Grower (5) et d'un écrou (6).
5. Répétez les étapes 1 à 4 pour installer le deuxième dispositif de fixation de l'autre côté de la scie.
6. Après vous être assuré que les deux dispositifs de fixation sont parallèles l'un avec l'autre, serrez tous les quatre écrous à la main pour maintenir solidement en place.



MONTAGE DE LA SCIE À ONGLET SUR LE SUPPORT

Voir Figures 8 – 9.

1. Soulevez la scie et l'ensemble du dispositif de fixation en faisant en sorte que l'ensemble soit légèrement incliné vers vous.
2. Pendant que l'ensemble est toujours incliné vers vous, accrochez le bord avant de l'ensemble du dispositif de fixation sur le rail avant (1) du support, Figure 8.

⚠ AVERTISSEMENT Pour ne pas risquer de subir de blessure grave, assurez-vous que le bord avant recourbé des dispositifs de fixation repose bien au-dessus du rail du devant avant de mettre en place l'autre bout des dispositifs de fixation. Si vous ne faites pas cela, vous risquez de perdre le contrôle de l'ensemble de montage de la scie.

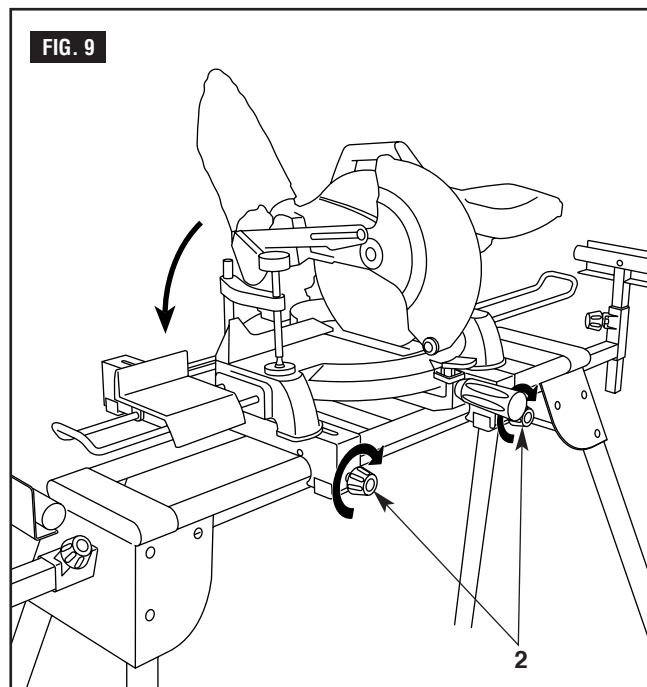
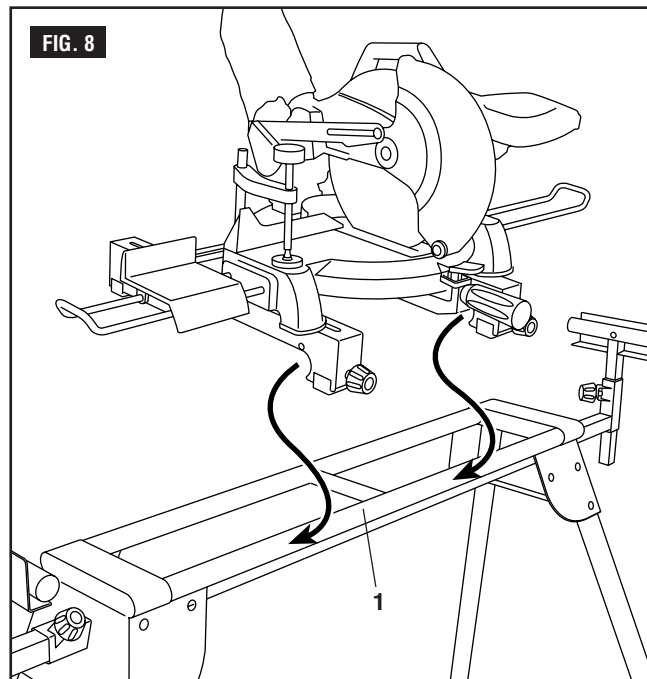
3. Abaissez l'ensemble du dispositif de fixation afin de permettre au bord arrière du dispositif de fixation de reposer complètement au-dessus du rail arrière, Figure 9.
4. Verrouillez les dispositifs de fixation en place en serrant les boutons de verrouillage (2).

REMARQUE : continuez à tenir l'ensemble de dispositif de fixation d'une main jusqu'à ce que le deux leviers soient solidement verrouillés.

5. Vérifiez la position et ajustez-la, si nécessaire, pour vous assurer que le poids de la scie est équilibré de façon égale entre les rails, comme le montre la Figure 9.
6. Assurez-vous que la scie repose bien à sa place et qu'elle est verrouillée en position, puis serrez solidement les quatre écrous assujettissant la scie aux dispositifs de fixation de la scie.

Pour retirer la scie du support :

1. Desserrez les boutons de verrouillage afin de déverrouiller la scie et l'ensemble de dispositif de fixation.
2. Soulevez la scie pour l'éloigner du rail arrière du support afin de la libérer.
3. Avec l'ensemble incliné légèrement vers vous, soulevez la partie avant de l'ensemble pour le libérer du rail avant du support.



⚠ AVERTISSEMENT Les dispositifs de fixation sont conçus pour tenir parfaitement au-dessus des rails du support. Lorsque les boutons de verrouillage sont en position serrée (verrouillée), il ne devrait pas être possible de retirer la scie et l'ensemble de dispositif de fixation des rails. Si les dispositifs de fixation ne tiennent pas sur les rails, ou s'il s'avère possible de retirer les dispositifs de fixation des rails alors que lesdits dispositifs de fixation sont verrouillés, retirez-les immédiatement de la scie et de l'ensemble de fixation, et serrez la vis de réglage du dispositif de fixation comme cela est décrit sous la rubrique « Réglages » de ce mode d'emploi. Le non-respect de cet avertissement risquerait de causer de graves blessures corporelles.

Réglages

VIS DE RÉGLAGE DU DISPOSITIF DE FIXATION

Voir Figure 10.

Les dispositifs de fixation sont conçus pour tenir parfaitement au-dessus des rails du support. Lorsque les boutons de verrouillage sont serrés dans leur position verrouillée, il ne devrait pas être possible de retirer la scie et l'ensemble de dispositif de fixation des rails. S'il est possible de retirer la scie et l'ensemble de dispositif de fixation des rails quand les boutons sont en position verrouillée, il faut serrer les vis de réglage du dispositif de fixation. Si la scie et le dispositif de fixation ne tiennent pas sur les deux rails, il faut desserrer les vis de réglage du dispositif de fixation.

REMARQUE : il faut retirer la scie des dispositifs de fixation avant d'essayer de serrer ou de desserrer les vis de réglage des dispositifs de fixation.

Pour effectuer le réglage :

1. Utilisez une clé (1) pour desserrer légèrement l'écrou (2).
2. Tournez la vis (3) avec un tournevis à pointe cruciforme (4). Tournez dans le sens des aiguilles d'une montre s'il faut serrer l'ensemble de dispositif de fixation ou dans le sens contraire des aiguilles d'une montre s'il faut desserrer l'ensemble de dispositif de fixation.
3. Installez le dispositif de fixation sur les rails du support pour scie à onglet et serrez le bouton de verrouillage du dispositif de fixation pour vérifier le réglage.
4. Après que la position correcte aura été obtenue, serrez l'écrou avec une clé pour verrouiller le dispositif de fixation en place.
5. Faites de même avec le second dispositif de fixation.

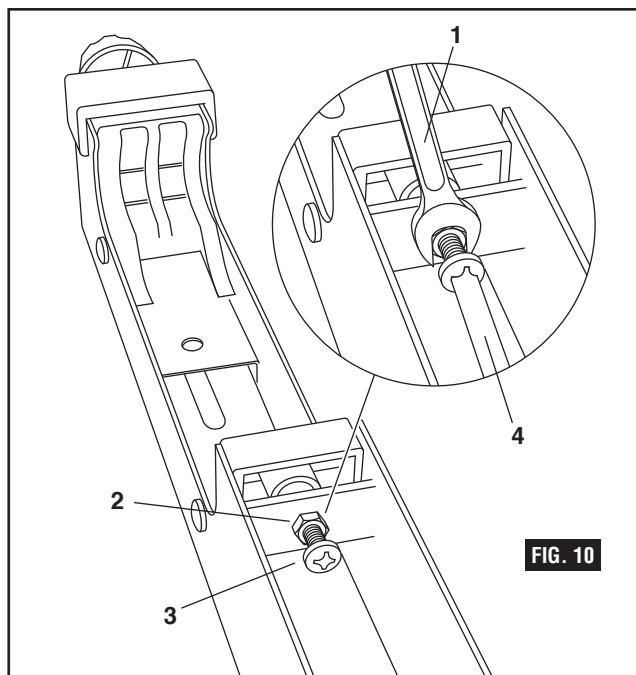


FIG. 10

MISE DE NIVEAU DU SUPPORT

Voir Figure 11.

Le support est muni d'un pied réglable qui permet d'effectuer une mise de niveau précise.

Pour effectuer le réglage : desserrez l'écrou à oreilles (1) et ajustez la hauteur du pied (2) en vissant l'arbre fileté dans le sens des aiguilles d'une montre pour élever le pied ou dans le sens contraire des aiguilles d'une montre pour abaisser le pied. Serrez à nouveau fermement l'écrou à oreilles.

⚠ AVERTISSEMENT Pour réduire le risque de blessure, assurez-vous que le support est stable et de niveau avant de vous servir de la scie. Choisissez une zone tout à fait horizontale pour y installer le support et ajustez la hauteur du pied réglable pour que tous les quatre pieds soient en contact avec le sol.

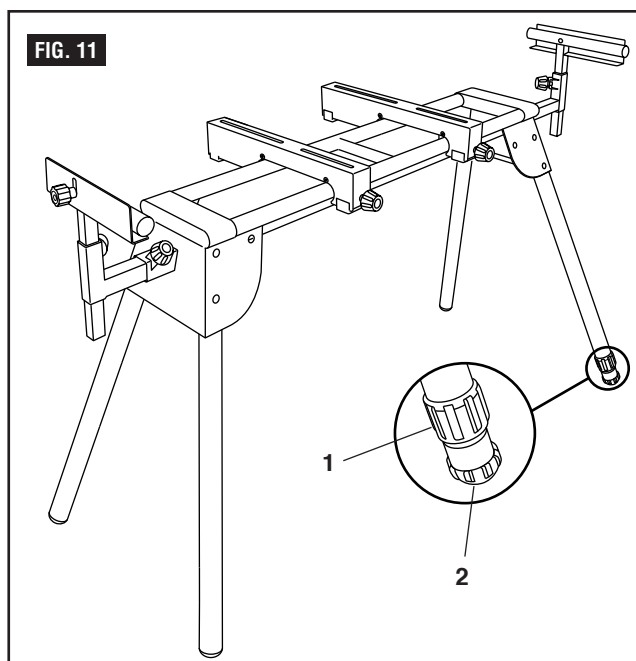


FIG. 11

TEST DE COMPATIBILITE DU SUPPORT

Une fois la scie montée sur le support :

1. Abaissez la tête de la scie à onglet pour la mettre en position de coupe complète et relâchez ensuite la tête de la scie à onglet pour qu'elle ne soit plus contrôlée par la position de coupe complète. La scie et le support ne risquent pas de basculer.
2. Vérifiez le réglage et le fonctionnement. Il ne doit y avoir

aucune interférence de la scie à onglet sur toute la plage de coupes d'onglet, de coupes en biseau et de coupes composées.

3. Le support de l'ouvrage doit pouvoir être ajusté à une hauteur qui est parallèle au dessus de la table sur laquelle est placée la scie à onglet.

Fonctionnement

UTILISATION DES RAILS DE RALLONGE

Voir Figure 12.

Utilisez les rails de rallonge (1) lorsque vous travaillez avec des ouvrages de grandes dimensions.

Pour allonger les rails :

1. Desserrez le bouton de réglage de l'allongement (2).
2. Allongez le rail (1) jusqu'à la position désirée.
3. Serrez le bouton de réglage de l'allongement.

RÉGLAGE DE LA HAUTEUR DU SUPPORT DE TRAVAIL

Voir Figure 13.

1. Desserrez le bouton de réglage du support de travail (4) qui se trouve au bout du rail de rallonge, comme on peut le voir à la Figure 13, et élevez la hauteur du support de travail (4) pour qu'il soit au même niveau que le dessus de la table sur laquelle se trouve la scie à onglet.
2. Serrez à nouveau le bouton et faites de même du côté opposé.

⚠ AVERTISSEMENT Pour réduire le risque de blessure, assurez-vous que les supports de travail sont ajustés de façon que l'ouvrage repose totalement à plat sur la table où se trouve la scie à onglet. Les ouvrages qui ne reposent pas totalement à plat peuvent causer le coincement de la lame pendant la coupe.

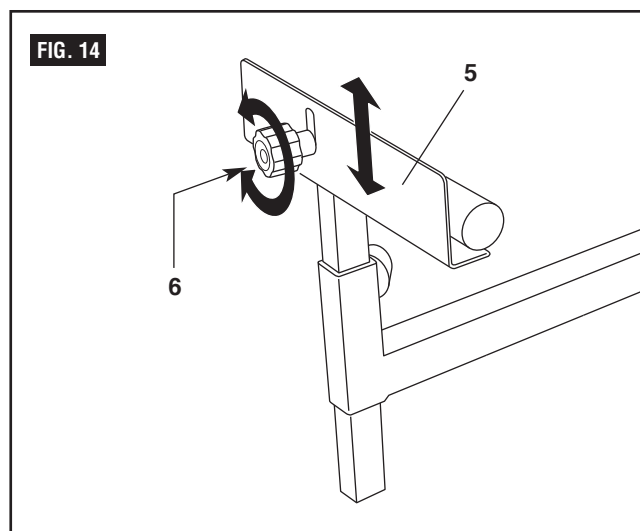
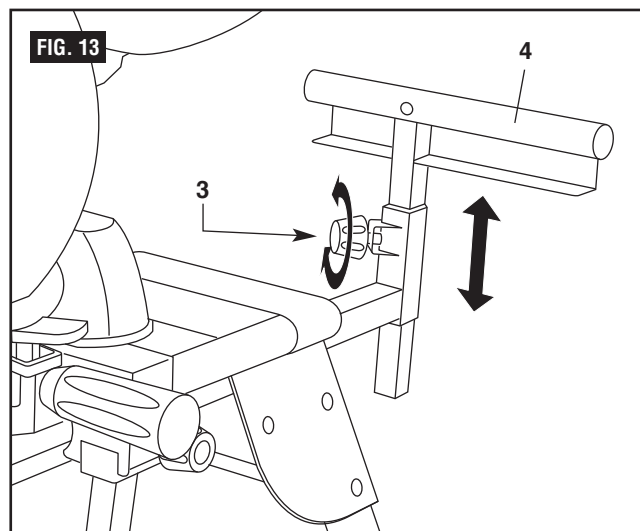
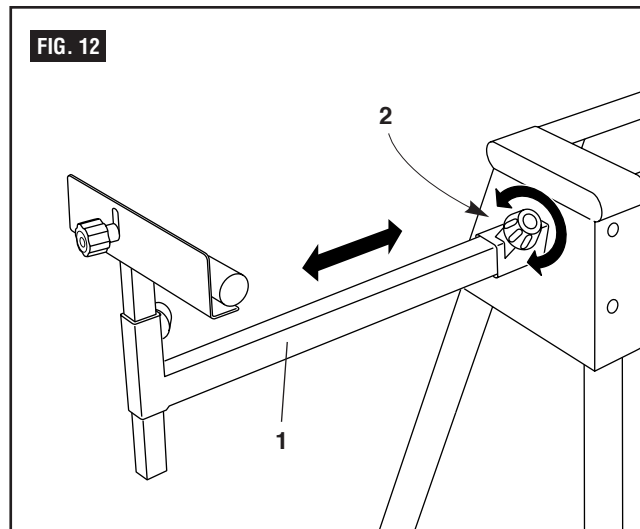
UTILISATION DES BUTÉES PRÉVUES POUR L'OUVRAGE

Voir Figure 14.

Élevez les butées prévues pour l'ouvrage (5) chaque fois que vous avez besoin de faire des coupes répétées de la même taille. Pour éviter un risque plus prononcé de coincement ou de pincement, n'utilisez pas les deux butées au même moment.

Pour élever les butées :

1. Desserrez le bouton de réglage de la butée pour l'ouvrage (6).
2. Élevez la butée (5) jusqu'à la position désirée.
3. Serrez le bouton de réglage de la butée pour l'ouvrage.



Entretien

⚠ AVERTISSEMENT Pour réduire le risque de blessure, inspectez périodiquement toutes les attaches pour vous assurer qu'elles sont ajustées et fixées conformément aux instructions d'assemblage figurant dans ce mode d'emploi.

SERVICE APRÈS-VENTE

Pour faire réparer le produit ou pour commander des pièces de rechange ou des accessoires pour des outils ayant des numéros de modèles qui ne commencent PAS par « HD » :

Aux États-Unis :

Téléphonez au : 1-800-346-4103

⚠ AVERTISSEMENT N'utilisez que des pièces de rechange Skil identiques lors de toute opération de service après-vente. L'utilisation de quelconques autres pièces pourrait créer un danger ou endommager le produit.

NETTOYAGE

⚠ AVERTISSEMENT Évitez d'utiliser des solvants lorsque vous nettoyez des pièces en plastique. La plupart des plastiques peuvent être endommagés par l'emploi de divers types de solvants commerciaux. Utilisez des tissus propres pour détacher les saletés, la poussière, l'huile, la graisse, etc.

Ne laissez jamais des liquides de freins, de l'essence, des produits à base de pétrole, des huiles pénétrantes, etc. entrer en contact avec des pièces en plastique. Les produits chimiques risquent d'endommager, d'affaiblir ou de détruire les plastiques, ce qui pourrait causer indirectement de graves blessures corporelles.

Instrucciones de seguridad importantes para utilizar esta base de soporte para sierras para cortar ingletes

⚠ ADVERTENCIA Lea y entienda todas las instrucciones. Si no se siguen todas las instrucciones que se indican a continuación y en el manual de su sierra para cortar ingletes, el resultado podría ser lesiones corporales graves.

Ensamble y apriete completamente todos los elementos de sujeción requeridos para esta base de soporte. Recuerde también comprobar ocasionalmente la base de soporte y asegurarse de que sigue estando apretada. Una base de soporte floja es inestable y podría desplazarse durante el uso y causar lesiones graves.

Ponga el interruptor de la herramienta en la posición de apagado y desconecte el enchufe de la fuente de alimentación antes de montar la base de soporte. Un arranque accidental durante el ensamblaje puede causar lesiones.

Antes de la utilización, asegúrese de que toda la unidad esté colocada sobre una superficie sólida, plana y nivelada. Podrían ocurrir lesiones graves si la herramienta con la base de soporte es inestable y se inclina.

No se suba nunca a la herramienta o a su base de soporte, ni la utilice como una escalera de mano o un andamio. Se podrían producir lesiones graves si la herramienta se vuelca o si se entra en contacto accidentalmente con la herramienta de corte. No almacene materiales sobre la herramienta ni cerca de ella de manera que sea necesario subirse a la herramienta o a su base de soporte para alcanzar dichos materiales.

Utilice únicamente piezas de repuesto Skil; cualquier otra pieza podría crear un peligro.

La sierra para cortar ingletes se debe montar firmemente en la base de soporte de acuerdo con el manual de instrucciones.

Después de montar la sierra para cortar ingletes en la base de soporte, alinee, posicione y equilibre la sierra de acuerdo con el manual de instrucciones.

⚠ ADVERTENCIA Para reducir el riesgo de lesiones, siga siempre todos los pasos de la prueba de compatibilidad con la base de soporte indicados en la página 32 antes de utilizar su sierra para cortar ingletes. No utilice la sierra para cortar ingletes si falla la prueba de compatibilidad con la base de soporte.

Antes de la utilización, verifique que todas las piezas de la base de soporte estén libres de daños y/o deformidad.

Antes de la utilización, verifique que todas las piezas o componentes de la base de soporte estén instalados correctamente.

Antes de la utilización, abra completamente cada una de las patas hasta que la espiga se acople con un chasquido, bloqueando las patas en esa posición.

Cuando monte la sierra para cortar ingletes en la base de soporte, asegúrese de que los soportes de montaje de la herramienta estén en la posición "DESBLOQUEADA", para que la montura de la herramienta se acople con los rieles. Asegúrese de sostener la sierra hasta que esté firmemente sujeta, para evitar que se caiga de los rieles. Una vez que esté sujeta, se deben apretar los pomos de fijación de los soportes de montaje.

Cuando retire de la base de soporte la sierra para cortar ingletes, afloje los pomos de fijación de los soportes de montaje hasta que giren hasta la posición "DESBLOQUEADA". Sostenga firmemente la sierra para cortar ingletes para evitar que se caiga de los rieles. Retire cuidadosamente la sierra para cortar ingletes.

No modifique la base de soporte de ninguna manera ni la utilice para propósitos que no sean los que se indican en estas instrucciones.

Debido a que el material cortado puede hacer que la base de soporte se desequilibre, asegúrese siempre de que el material esté soportado apropiadamente. Además, si la pieza de trabajo que se está cortando se coloca mucho más allá del soporte de la pieza de trabajo, las patas de la base de soporte ubicadas en el lado opuesto se podrían levantar repentinamente debido al desequilibrio de peso. Para evitar que esto ocurra, sostenga firmemente el lado opuesto antes de realizar el corte.

Índice

Instrucciones de seguridad para bases de soporte para sierras para cortar ingletes	24	Instalación de la sierra con el sistema Quick Mount™ en la base de soporte	29
Índice	25	Instalación de la sierra sin el sistema Quick Mount System™ en los soportes de montaje de la sierra y la base de soporte	30-31
Desempaquetado y comprobación del contenido	26	Ajustes	32
Familiarización con la base de soporte para sierras para cortar ingletes	27	Utilización	33
Ensamblaje	28	Mantenimiento	34

Desempaquetado y comprobación del contenido

⚠ ADVERTENCIA Por su propia seguridad, no conecte nunca el enchufe al tomacorriente de la fuente de alimentación hasta que se hayan completado todos los pasos y hasta que usted haya leído y entendido todo el manual del usuario.

La base de soporte para sierras para cortar ingletes modelo 3302 se envía completa en una caja.

Desempaquetado y comprobación del contenido

Desempaquetado y comprobación del contenido. Separe todas las "piezas sueltas" de los materiales de empaquetamiento y compruebe cada artículo con la "Tabla de piezas sueltas", para asegurarse de que no falte ningún artículo antes de desechar cualquier material de empaquetamiento.

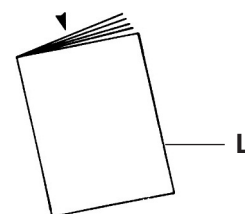
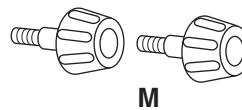
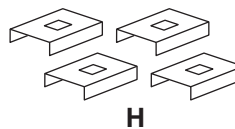
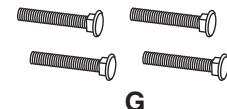
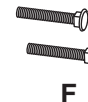
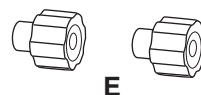
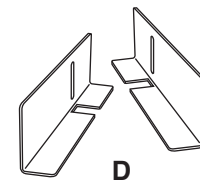
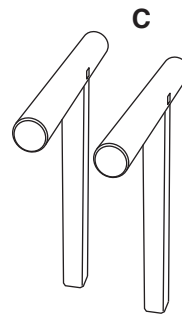
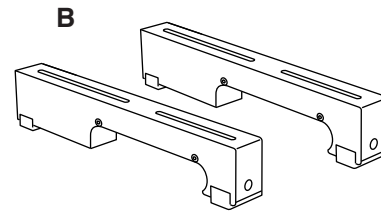
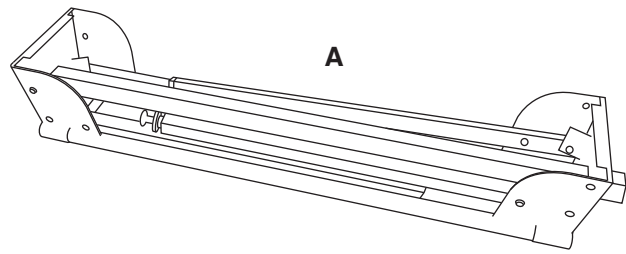
⚠ ADVERTENCIA Si falta alguna pieza, no intente ensamblar la base de soporte hasta que las piezas que faltan se hayan obtenido y se hayan instalado correctamente.

Tabla de piezas sueltas

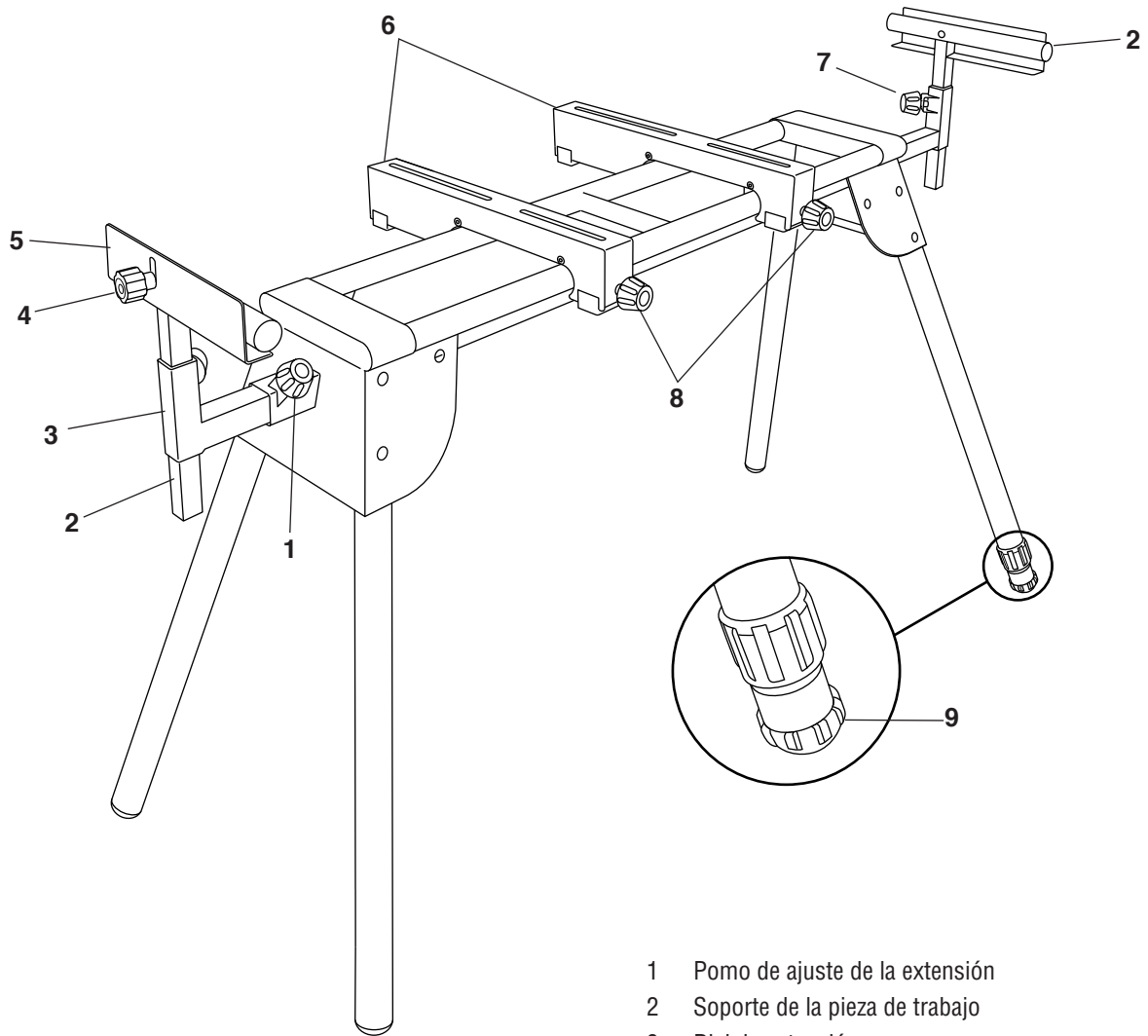
Artículo	Descripción	Cant.
A	Base de soporte para sierras para cortar ingletes	1
B	Soportes de montaje de la sierra	2
C	Soportes de la pieza de trabajo	2
D	Topes para la pieza de trabajo	2

HERRAJES DE ENSAMBLAJE DE LA BASE DE SOPORTE (empacados en una bolsa)

E	Pomos de ajuste de los topes para la pieza de trabajo	2
F	Pernos de carruaje (M6 x 60 mm)	2
G	Pernos de carruaje (5/16 de pulgada x 2 pulgadas)	4
H	Placas de montaje deslizantes	4
I	Arandelas planas	4
J	Arandelas de seguridad	4
K	Tuercas	4
L	Guía de utilización	1
M	Pomo de fijación de los soportes	2



Familiarización con la base de soporte para sierras para cortar ingletes



- 1 Pomo de ajuste de la extensión
- 2 Soporte de la pieza de trabajo
- 3 Riel de extensión
- 4 Pomo de ajuste del tope para la pieza de trabajo
- 5 Tope para la pieza de trabajo
- 6 Soporte de montaje de la sierra
- 7 Pomo de ajuste del soporte de la pieza de trabajo
- 8 Pomo de fijación de los soportes
- 9 Pie ajustable

Ensamblaje

HERRAMIENTAS NECESARIAS PARA EL ENSAMBLAJE

- Llave de tuerca ajustable
- Destornillador Phillips®

PREPARACIÓN DE LA BASE DE SOPORTE

Vea la Figura 1.

1. Acueste la superficie superior de la base de soporte en el piso con las patas plegadas en la parte de arriba.
2. Empuje un pasador de fijación de pata (1) y gire esa pata hacia arriba hasta que el pasador de fijación se acople con un chasquido en la posición correcta.
3. Repita el procedimiento con las tres patas restantes.
4. Levante la base de soporte y póngala en posición vertical.
5. Asegúrese de que la base de soporte sea estable y de que todas las patas tengan acoplados los pasadores de fijación.

ENSAMBLAJE E INSTALACIÓN DE LOS SOPORTES DEL MATERIAL DE TRABAJO

Vea las Figuras 2 – 3.

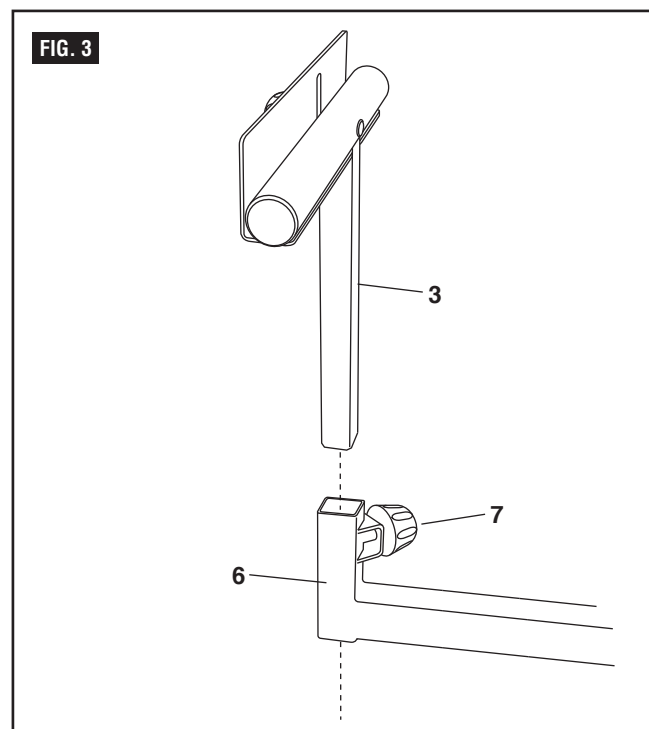
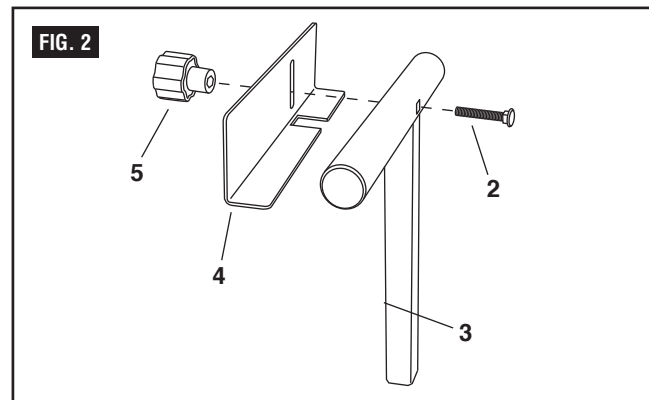
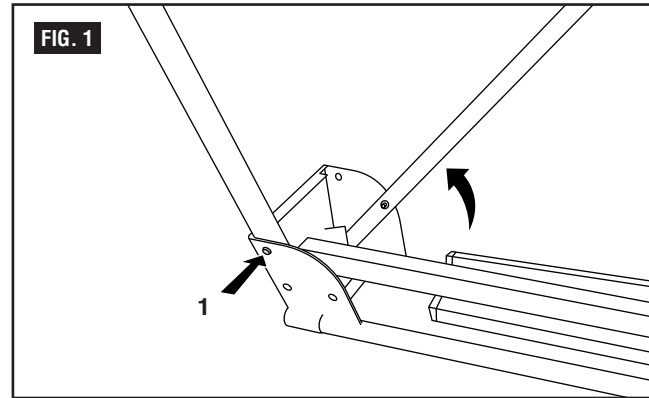
Los soportes del material de trabajo ayudan a equilibrar la pieza de trabajo durante las operaciones de corte.

Para ensamblar el soporte de la pieza de trabajo:

1. Deslice un perno de carruaje M6 x 60 mm (2) a través del agujero cuadrado ubicado en el soporte de la pieza de trabajo (3) y extiéndalo a través del otro lado.
2. Coloque el tope para la pieza de trabajo (4) sobre el extremo del perno.
3. Enrosque un pomo de ajuste del tope para la pieza de trabajo (5) en el extremo del perno y apriételo para sujetarlo firmemente.

Para instalar los soportes de la pieza de trabajo:

1. Deslice el soporte de la pieza de trabajo (3) al interior del riel de extensión (6). Posicione el soporte de la pieza de trabajo a la altura deseada en el riel de extensión y apriételo (7) en su sitio.
2. Repita el procedimiento con el otro soporte.



Instalación de la sierra con el sistema Quick Mount System™ en la base de soporte

(Sierra no incluida)

⚠ ADVERTENCIA Ponga el interruptor de la herramienta en la posición de apagado y desconecte el enchufe de la fuente de alimentación antes de montar la base de soporte. Un arranque accidental durante el ensamblaje puede causar lesiones.

Asegúrese de que la base de soporte esté completamente ensamblada.

Ponga la base de soporte en una superficie sólida y nivelada.

Vea las Figuras 4 - 5.

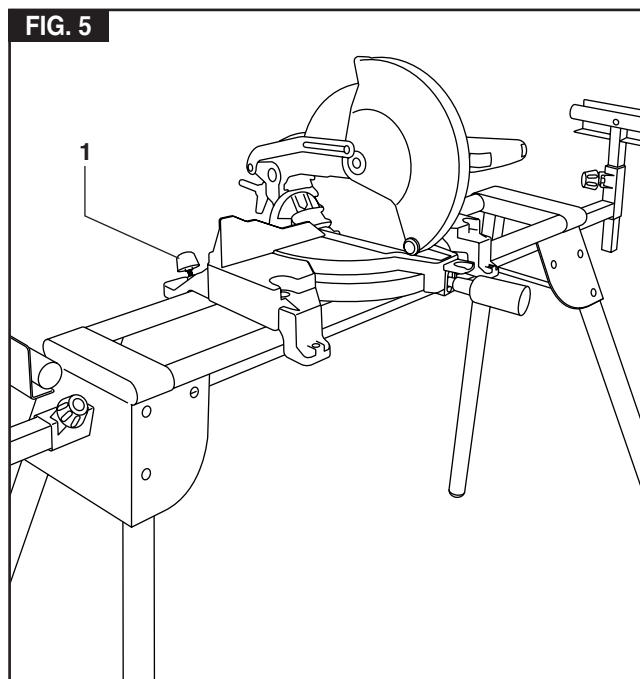
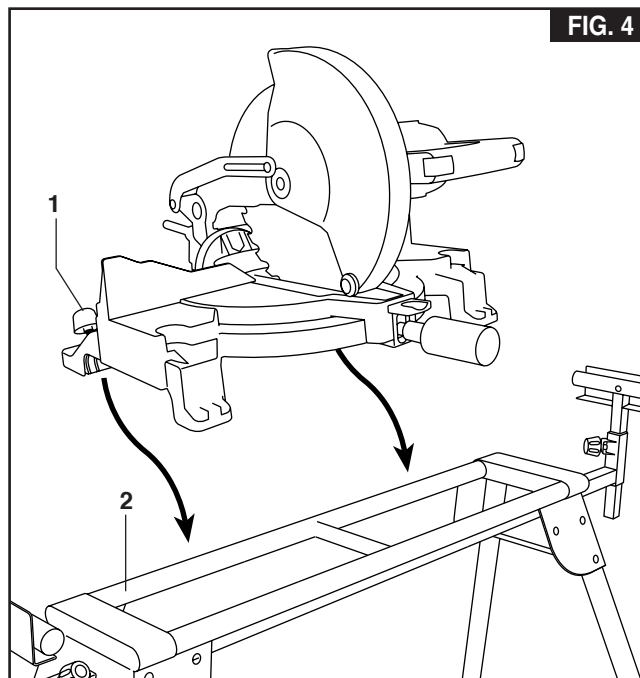
1. Gire los dos pomos de fijación rápida **1**, ubicados a cada lado de la parte trasera de la base de la sierra, en sentido contrario al de las agujas del reloj hasta que las abrazaderas se hayan retraído tanto como sea posible.
2. Levante la sierra, permitiendo que se incline ligeramente de manera que se aleje de su cuerpo.
3. Mientras la sierra aún está inclinada alejándose de usted, enganche el borde trasero de la base de la sierra en el riel trasero **2** de la base de soporte, figura 4.

⚠ ADVERTENCIA Para evitar lesiones corporales graves, asegúrese de que el borde delantero curvo de los soportes de montaje esté firmemente asentado sobre el riel delantero antes de asentar el otro extremo de los soportes. Si no se hace así, el resultado podría ser que usted pierda el control del ensamblaje de montaje de la sierra.

4. Baje la sierra para permitir que el borde delantero de la base de la sierra se asiente completamente sobre el riel delantero, figura 5.
5. Compruebe la posición y ajústela, si es necesario, para asegurarse de que el peso de la sierra este balanceado uniformemente sobre los rieles, de la manera que se muestra en la figura 5.
6. Rote los dos pomos de fijación rápida **1** en el sentido de las agujas del reloj y apriételos firmemente.
7. Asegúrese de que la base de la sierra esté completamente asentada y fija en la posición correcta.

Para retirar la sierra de la base de soporte:

1. Gire los dos pomos de fijación rápida en sentido contrario al de las agujas del reloj.
2. Levante la sierra alejándola del riel delantero de la base de soporte para desacoplarla.
3. Con el ensamblaje ligeramente inclinado de manera que se aleje de usted, levante la parte trasera de la base de la sierra para desacoplarla del riel delantero de la base de soporte.



Instalación de la sierra con el sistema Quick Mount System™ en los soportes de montaje de la sierra y la base de soporte

PREPARACIÓN DE LOS SOPORTES DE MONTAJE DE LA SIERRA

Vea la Figura 6.

1. Coloque una placa de montaje deslizante (1) en cada uno de los cuatro pernos de carruaje de 5/16 de pulgada x 2 pulgadas (2) y pase los pernos a través de ambos soportes de montaje (3), de la manera que se muestra en la figura 6.
2. Enrosque un pomo de fijación de los soportes (7) en el extremo de cada riel de extensión (3) de la manera que se muestra en la ilustración.

INSTALACIÓN DE LA SIERRA SIN EL SISTEMA QUICK MOUNT SYSTEM™ EN LOS SOPORTES DE MONTAJE DE LA SIERRA

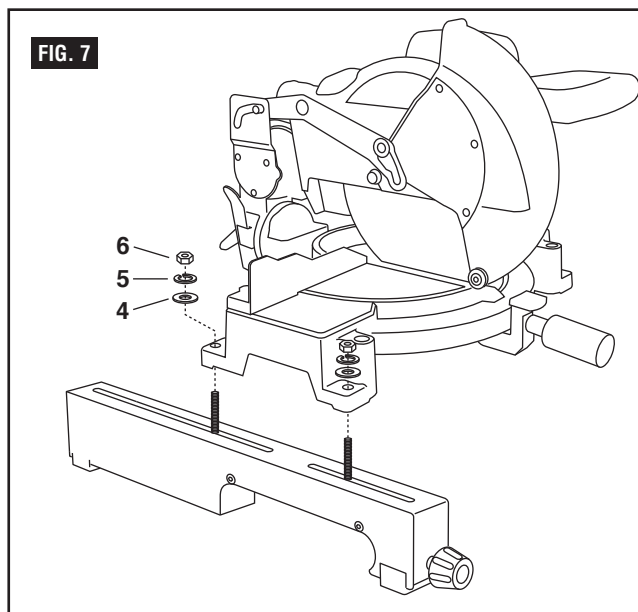
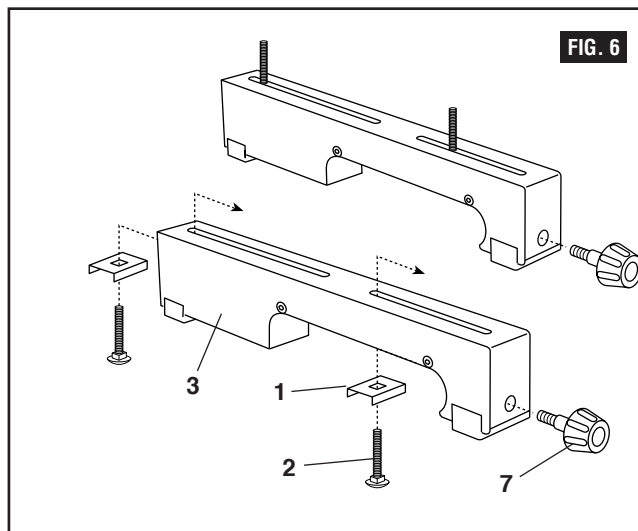
⚠ ADVERTENCIA Ponga el interruptor de la herramienta en la posición de apagado y desconecte el enchufe de la fuente de alimentación antes de montar la base de soporte. Un arranque accidental durante el ensamblaje puede causar lesiones.

Vea la Figura 7.

Posicione siempre la sierra de manera que se logre el máximo equilibrio y la máxima estabilidad. Las cuatro esquinas de la sierra se deben emperrar a los soportes de montaje antes de la utilización. Asegúrese de que los pernos no se extiendan más allá de la mesa de la sierra para cortar ingletes.

Si la sierra tiene cuatro agujeros que se alinean con las ranuras de los soportes de montaje de la sierra:

1. Desenchufe la sierra y bloquee el brazo de la sierra en la posición hacia abajo.
2. Levante un lado de la sierra y coloque un soporte de montaje de la sierra debajo de dicho lado, alineando los pernos de carruaje con los agujeros de montaje de la sierra para cortar ingletes, de la manera que se muestra en la figura 7.
3. Baje la sierra sobre el soporte, pasando los pernos de carruaje a través de los agujeros de montaje.
4. Sujete la sierra en la posición deseada utilizando una arandela plana (4), una arandela de seguridad (5) y una tuerca (6).
5. Repita los pasos 1 a 4 para instalar el segundo soporte en el otro lado de la sierra.
6. Después de asegurarse de que ambos soportes estén paralelos uno con otro, apriete con los dedos las cuatro tuercas para sujetarlos en la posición correcta.



MONTAJE DE LA SIERRA PARA CORTAR INGLETES EN LA BASE DE SOPORTE

Vea las Figuras 8 - 9.

1. Levante el ensamblaje de la sierra y los soportes, permitiendo que dicho ensamblaje se incline ligeramente hacia su cuerpo.
2. Mientras el ensamblaje aún está inclinado hacia usted, enganche el borde delantero del ensamblaje de los soportes en el riel delantero (1) de la base de soporte, figura 8.

⚠ ADVERTENCIA Para evitar lesiones corporales graves, asegúrese de que el borde delantero curvo de los soportes de montaje esté firmemente asentado sobre el riel delantero antes de asentar el otro extremo de los soportes. Si no se hace así, el resultado podría ser que usted pierda el control del ensamblaje de montaje de la sierra.

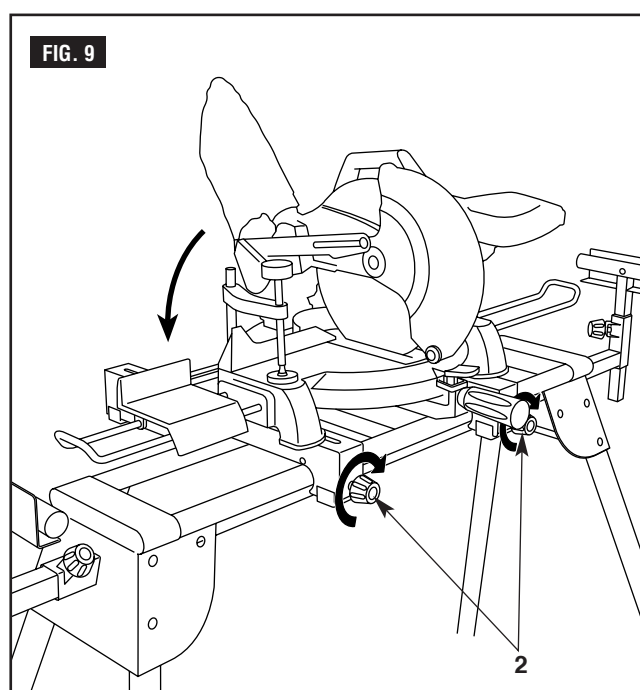
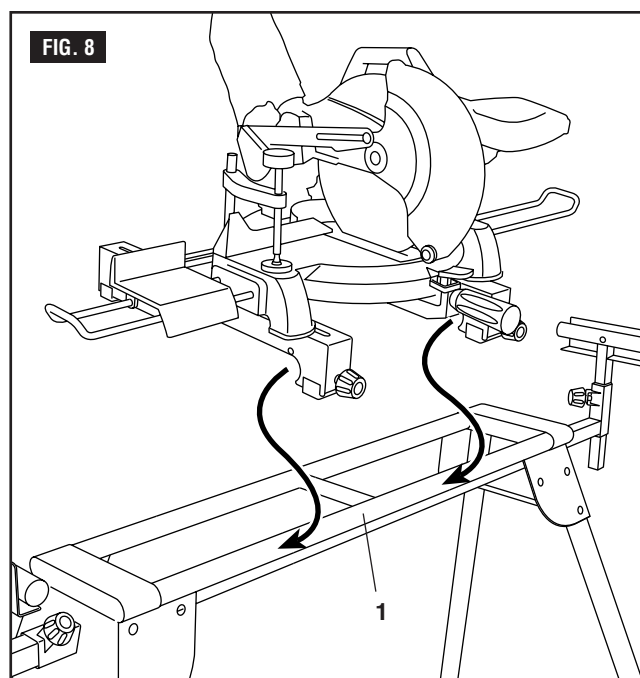
3. Baje el ensamblaje de los soportes para permitir que el borde trasero del soporte se asiente completamente sobre el riel trasero, figura 9.
4. Fije los soportes en la posición deseada apretando los pomos de fijación (2).

NOTA: Continúe sosteniendo el ensamblaje de los soportes de montaje con una mano hasta que ambas palancas estén firmemente bloqueadas.

5. Compruebe la posición y, si es necesario, ajústela para asegurarse de que el peso de la sierra esté equilibrado uniformemente sobre los rieles, de la manera que se muestra en la figura 9.
6. Asegúrese de que la sierra esté completamente asentada y fija en la posición deseada y luego apriete firmemente las cuatro tuercas que sujetan la sierra a los soportes de montaje de la sierra.

Para retirar la sierra de la base de soporte:

1. Afloje los pomos de fijación para desbloquear el ensamblaje de la sierra y los soportes de montaje.
2. Levante la sierra alejándola del riel trasero de la base de soporte para desacoplarla.
3. Con el ensamblaje inclinado ligeramente hacia usted, levante la parte delantera del ensamblaje para desacoplarlo del riel delantero de la base de soporte.



⚠ ADVERTENCIA Los soportes de montaje están diseñados para encajar perfectamente sobre los rieles de la base de soporte. Con los pomos de fijación en la posición apretada (bloqueados), usted no debería poder retirar de los rieles el ensamblaje de la sierra y los soportes. Si los soportes de montaje no encajan sobre los rieles, o si los soportes de montaje se pueden retirar de los rieles cuando estén bloqueados, retírelos inmediatamente del ensamblaje de la sierra y los soportes y apriete el tornillo de ajuste de cada soporte, tal y como se describe en la sección "Ajustes" de este manual. Si no se hace caso de esta advertencia, el resultado podría ser lesiones corporales graves.

Ajustes

TORNILLO DE AJUSTE DE LOS SOPORTES

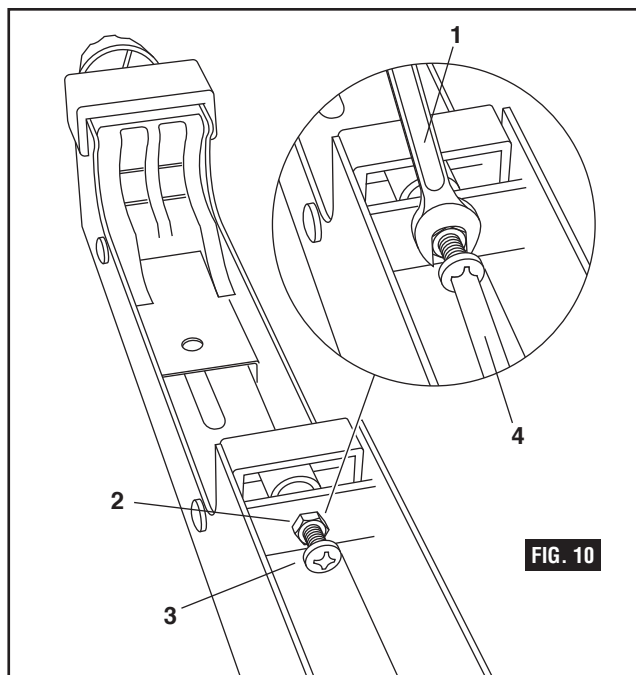
Vea la Figura 10.

Los soportes de montaje están diseñados para encajar perfectamente sobre los rieles de la base de soporte. Con los pomos de fijación apretados en su posición bloqueada, usted no debería poder retirar de los rieles el ensamblaje de la sierra y los soportes. Si el ensamblaje de la sierra y los soportes se puede retirar de los rieles cuando esté bloqueado, será necesario apretar los tornillos de ajuste de los soportes. Si el ensamblaje de la sierra y los soportes no encaja sobre ambos rieles, será necesario aflojar los tornillos de ajuste de los soportes.

NOTA: La sierra se debe retirar de los soportes de montaje antes de intentar apretar o aflojar los tornillos de ajuste de los soportes.

Para ajustar los soportes:

1. Use una llave de tuerca (1) para aflojar ligeramente la tuerca (2).
2. Gire el tornillo (3) con un destornillador Phillips (4). Gírelo en el sentido de las agujas del reloj si es necesario apretar el ensamblaje de los soportes, o en sentido contrario al de las agujas del reloj si es necesario aflojar dicho ensamblaje.
3. Instale el soporte sobre los rieles de la base de soporte para sierras para cortar ingletes y apriete el pomo de fijación del soporte para comprobar el ajuste.
4. Cuando se logre la posición correcta, apriete la tuerca para sujetarla firmemente, usando una llave de tuerca.
5. Repita el procedimiento con el segundo soporte de montaje.



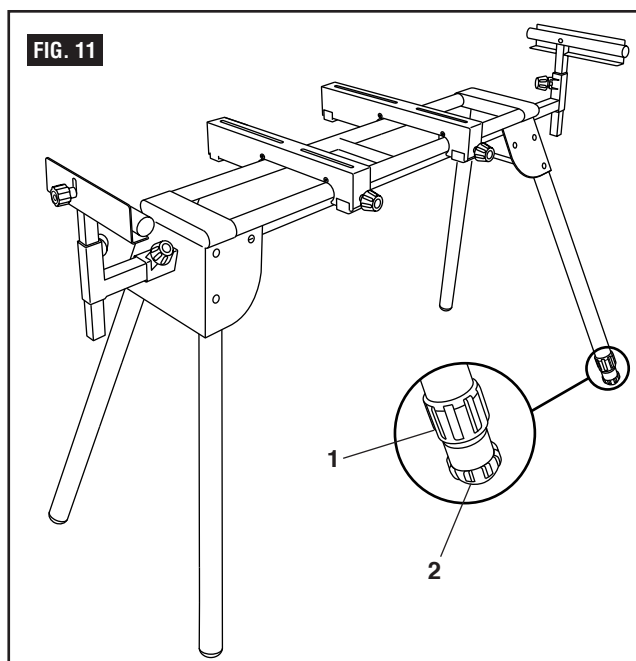
PARA NIVELAR LA BASE DE SOPORTE

Vea la Figura 11.

La base de soporte está equipada con un pie ajustable para nivelarla.

Para ajustar el pie: afloje la tuerca de mariposa (1) y ajuste la altura del pie (2) enroscando el eje roscado en el sentido de las agujas del reloj para subir el pie, o en sentido contrario al de las agujas del reloj para bajarlo. Reapriete firmemente la tuerca de mariposa.

⚠ ADVERTENCIA Para reducir el riesgo de lesiones, asegúrese de que la base de soporte esté estable y nivelada antes de utilizar la sierra. Escoja un área nivelada para instalar la base de soporte y ajuste el pie ajustable para que las cuatro patas toquen el piso.



PRUEBA DE COMPATIBILIDAD CON LA BASE DE SOPORTE

Con la sierra montada en la base de soporte:

1. Baje la cabeza de la sierra para cortar ingletes hasta la posición de corte completo y suelte dicha cabeza de la sierra para cortar ingletes descontrolada desde la posición de corte completo. La sierra y la base de soporte no volcarán.

2. Compruebe el ajuste y la función. No habrá interferencia de la sierra para cortar ingletes a través del intervalo completo de corte a inglete, en bisel y compuesto.

3. El soporte para la pieza de trabajo se podrá ajustar a una altura que esté nivelada con el tablero de la mesa de la sierra para cortar ingletes."

Utilización

UTILIZACIÓN DE LOS RIELES DE EXTENSIÓN

Vea la Figura 12.

Utilice los rieles de extensión (1) cuando trabaje con piezas de trabajo más grandes.

Para extender los rieles:

1. Afloje el pomo de fijación de la extensión (2).
2. Extienda el riel (1) hasta la posición deseada.
3. Apriete el pomo de ajuste de la extensión.

AJUSTE DE LA ALTURA DE LOS SOPORTES DE LA PIEZA DE TRABAJO

Vea la Figura 13.

1. Afloje el pomo de fijación del soporte de la pieza de trabajo (4), ubicado en el extremo del riel de expansión, de la manera que se muestra en la figura 13, y suba el soporte de altura de la pieza de trabajo (4) de manera que quede nivelado con el tablero de la mesa de la sierra para cortar ingletes montada en la base de soporte.
2. Reapriete el pomo y repita el procedimiento en el lado opuesto.

⚠ ADVERTENCIA Para reducir el riesgo de lesiones, asegúrese de que los soportes de la pieza de trabajo estén ajustados de manera que la pieza de trabajo se asiente en posición plana sobre la mesa de la sierra para cortar ingletes. Las piezas de trabajo que no se asienten en posición plana podrían hacer que la hoja se atasque durante el corte.

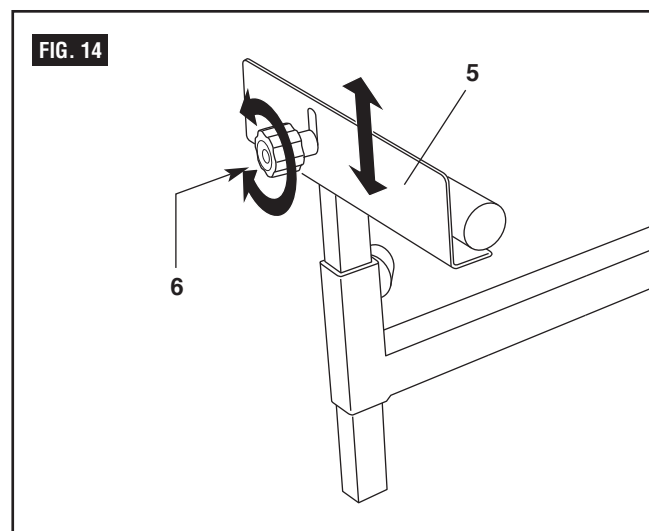
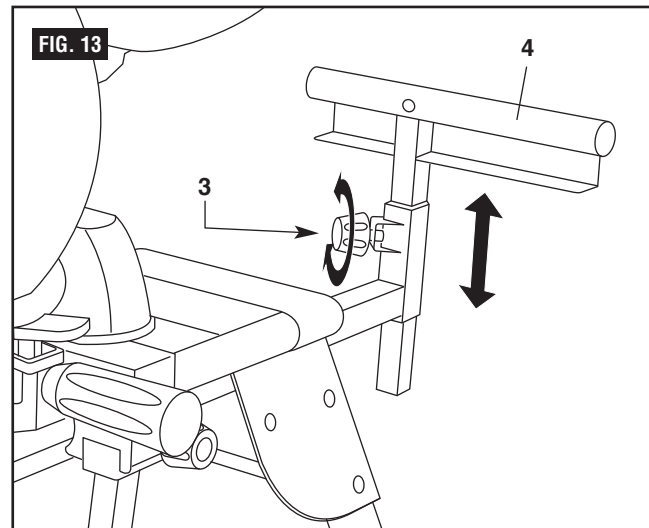
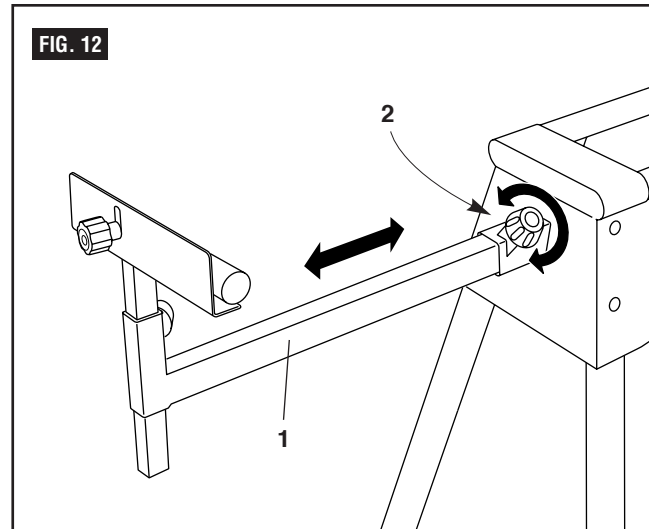
UTILIZACIÓN DE LOS TOPES PARA LA PIEZA DE TRABAJO

Vea la Figura 14.

Suba los topes para la pieza de trabajo (5) siempre que necesite hacer cortes repetitivos del mismo tamaño. Para evitar un riesgo mayor de atascamiento o pellizcamiento, no utilice ambos topes para la pieza de trabajo al mismo tiempo.

Para subir los topes para la pieza de trabajo:

1. Afloje el pomo de ajuste del tope para la pieza de trabajo (6).
2. Suba el tope para la pieza de trabajo (5) hasta la posición deseada.
3. Apriete el pomo de ajuste del tope para la pieza de trabajo.



Mantenimiento

⚠ ADVERTENCIA Para reducir el riesgo de lesiones, compruebe periódicamente que todos los elementos de sujeción estén instalados y ajustados de acuerdo con las instrucciones de ensamblaje incluidas en este manual.

SERVICIO

Para solicitar servicio o pedir piezas de repuesto y accesorios para herramientas con números de modelo que NO comiencen con "HD":

En los Estados Unidos

Llame al: 1-800-346-4103

⚠ ADVERTENCIA Cuando haga servicio de ajustes y reparaciones, utilice únicamente piezas de repuesto Skil idénticas. El uso de cualquier otra pieza puede crear un peligro o causar daños al producto.

LIMPIEZA

Evite utilizar solventes cuando limpie piezas de plástico. La mayoría de los plásticos son susceptibles a daños causados por varios tipos de solventes comerciales y pueden ser dañados por su uso. Use paños limpios para quitar la suciedad, el polvo, el aceite, la grasa, etc.

⚠ ADVERTENCIA No deje en ningún momento que líquidos de freno, gasolina, productos a base de petróleo, aceites penetrantes, etc., entren en contacto con las piezas de plástico. Las sustancias químicas pueden dañar, debilitar o destruir el plástico, lo cual podría causar lesiones corporales graves.

Notes:

Remarques :

Notas:

LIMITED WARRANTY OF SKIL CONSUMER BENCHTOP POWER TOOLS

Robert Bosch Tool Corporation ("Seller") warrants to the original purchaser only, that all SKIL consumer benchtop power tools will be free from defects in material or workmanship for a period of three years from date of purchase, if original purchaser registers the product within 30 days from purchase. Product registration can be completed online at www.skil.com or by mail with the registration card included in the packaged product. Original purchasers should also retain their receipt as proof of purchase. Original purchasers that do not register their product will receive the standard Skil one year home use warranty. SKIL consumer benchtop portable power tool models will be free from defects in material or workmanship for a period of ninety days if the tool is used for professional use.

SELLER'S SOLE OBLIGATION AND YOUR EXCLUSIVE REMEDY under this Limited Warranty and, to the extent permitted by law, any warranty or condition implied by law, shall be the repair or replacement of parts, without charge, which are defective in material or workmanship and which have not been misused, carelessly handled, or misrepaired by persons other than Seller or Authorized Service Station. To make a claim under this Limited Warranty, you must return the complete product, transportation prepaid, to any SKIL Factory Service Center or Authorized Service Station. For Authorized SKIL Power Tool Service Stations, please visit www.skil.com or call 1-877-SKIL-999 (1-877-754-5999).

THIS LIMITED WARRANTY DOES NOT APPLY TO ACCESSORY ITEMS SUCH AS CIRCULAR SAW BLADES, DRILL BITS, ROUTER BITS, JIGSAW BLADES, SANDING BELTS, GRINDING WHEELS AND OTHER RELATED ITEMS.

ANY IMPLIED WARRANTIES SHALL BE LIMITED IN DURATION TO ONE YEAR FROM DATE OF PURCHASE. SOME STATES IN THE U.S., SOME CANADIAN PROVINCES DO NOT ALLOW LIMITATIONS ON HOW LONG AN IMPLIED WARRANTY LASTS, SO THE ABOVE LIMITATION MAY NOT APPLY TO YOU.

IN NO EVENT SHALL SELLER BE LIABLE FOR ANY INCIDENTAL OR CONSEQUENTIAL DAMAGES (INCLUDING BUT NOT LIMITED TO LIABILITY FOR LOSS OF PROFITS) ARISING FROM THE SALE OR USE OF THIS PRODUCT. SOME STATES IN THE U.S. AND SOME CANADIAN PROVINCES DO NOT ALLOW THE EXCLUSION OR LIMITATION OF INCIDENTAL OR CONSEQUENTIAL DAMAGES, SO THE ABOVE LIMITATION OR EXCLUSION MAY NOT APPLY TO YOU.

THIS LIMITED WARRANTY GIVES YOU SPECIFIC LEGAL RIGHTS, AND YOU MAY ALSO HAVE OTHER RIGHTS WHICH VARY FROM STATE TO STATE IN THE U.S., PROVINCE TO PROVINCE IN CANADA AND FROM COUNTRY TO COUNTRY.

THIS LIMITED WARRANTY APPLIES ONLY TO PRODUCTS SOLD WITHIN THE UNITED STATES OF AMERICA, CANADA AND THE COMMONWEALTH OF PUERTO RICO. FOR WARRANTY COVERAGE WITHIN OTHER COUNTRIES, CONTACT YOUR LOCAL SKIL DEALER OR IMPORTER.

GARANTIE LIMITÉE DES OUTILS ÉLECTRIQUES GRAND PUBLIC SKIL DE TABLE

Robert Bosch Tool Corporation (le « Vendeur ») garantit à l'acheteur initial seulement que tous les outils électriques grand public SKIL de table seront exempts de vices de matériau ou de façon pendant une période de trois ans depuis la date d'achat si l'acheteur initial enregistre le produit dans les 30 jours suivant l'achat. L'enregistrement du produit peut être effectué en ligne à www.skil.com ou par courrier postal en renvoyant la carte d'enregistrement incluse dans l'emballage du produit. Les acheteurs initiaux doivent également conserver leur reçu comme justificatif de leur achat. Les acheteurs initiaux qui n'enregistrent pas leur produit recevront la garantie Skil standard d'un an pour les produits utilisés à domicile. Les modèles d'outils électriques grand public SKIL de table sont garantis exempts de vices de matériau ou de façon pendant une période de quatre-vingt-dix jours si l'outil est utilisé professionnellement.

LA SEULE OBLIGATION DU VENDEUR ET LE SEUL RECOURS DE L'ACHETEUR sous la présente garantie limitée, et dans la mesure où la loi le permet sous toute garantie ou condition implicite qui en découlerait, sera l'obligation de remplacer ou réparer gratuitement les pièces défectueuses en termes de matériau ou de façon, pourvu que lesdites déficiences ne soient pas attribuables à un usage abusif ou à quelque réparation ou altération bricolée par quelqu'un d'autre que le Vendeur ou le personnel d'une station-service agréée. En cas de réclamation sous la présente garantie limitée, l'acheteur est tenu de renvoyer l'outil complet en port payé à un centre de service-usine SKIL ou une station-service agréée. Pour trouver les coordonnées de la station-service agréée SKIL la plus proche, veuillez visiter www.skil.com ou téléphoner au 1-877-SKIL-999 (1-877-754-5999).

LA PRÉSENTE GARANTIE NE S'APPLIQUE PAS AUX ACCESSOIRES TELS QUE LAMES DE SCIE CIRCULAIRE, MÊCHES DE PERCEUSES, FERS DE TOUPIES, LAMES DE SCIES SAUTEUSES, COURROIS DE PONÇAGE, MEULES ET AUTRES ARTICLES DU GENRE.

TOUTE GARANTIE IMPLICITE SERA LIMITÉE À UNE DURÉE À UN AN À COMPTER DE LA DATE D'ACHAT. COMME CERTAINS ÉTATS AMÉRICAINS ET CERTAINES PROVINCES CANADIENNES N'ADMETTENT PAS LE PRINCIPE DE LA LIMITATION DE LA DURÉE DES GARANTIES IMPLICITES, IL EST POSSIBLE QUE LES LIMITATIONS CI-DESSUS NE S'APPLIQUENT PAS À VOTRE CAS.

EN AUCUN CAS LE VENDEUR NE SAURAIT ÊTRE TENU POUR RESPONSABLE DES INCIDENTS OU DOMMAGES INDIRECTS (INCLUANT, MAIS NE SE LIMITANT PAS AUX PERTES DE PROFITS) CONSÉCUTIFS À LA VENTE OU À L'USAGE DE CE PRODUIT. COMME CERTAINS ÉTATS AMÉRICAINS ET CERTAINES PROVINCES CANADIENNES N'ADMETTENT PAS LE PRINCIPE DE LA LIMITATION OU DE L'EXCLUSION DES DOMMAGES INDIRECTS ET SECONDAIRES, IL EST POSSIBLE QUE LES LIMITATIONS OU EXCLUSIONS CI-DESSUS NE S'APPLIQUENT PAS À VOTRE CAS.

CETTE GARANTIE LIMITÉE VOUS DONNE DES DROITS PRÉCIS, ET VOUS POUVEZ ÉGALEMENT AVOIR D'AUTRES DROITS QUI VARIENT D'UN ÉTAT À L'AUTRE AUX ÉTATS-UNIS, D'UNE PROVINCE À L'AUTRE AU CANADA, ET D'UN PAYS À L'AUTRE.

CETTE GARANTIE LIMITÉE S'APPLIQUE UNIQUEMENT AUX OUTILS VENDUS AUX ÉTATS-UNIS D'AMÉRIQUE, AU CANADA ET DANS LE COMMONWEALTH DE PORTO RICO. POUR CONNAÎTRE LA COUVERTURE DE GARANTIE DANS LES AUTRES PAYS, CONTACTEZ VOTRE IMPORTATEUR OU REVENDEUR SKIL LOCAL.

GARANTÍA LIMITADA PARA HERRAMIENTAS ELÉCTRICAS DE BANCO DE CONSUMO SKIL

Robert Bosch Tool Corporation ("el Vendedor") garantiza, únicamente al comprador original, que todas las herramientas eléctricas de banco de consumo SKIL estarán libres de defectos de material o de fabricación durante un período de tres años a partir de la fecha de compra, si el comprador original registra el producto dentro del plazo de 30 días después de la fecha de compra. El registro del producto se puede completar a través de Internet en www.skil.com o por correo con la tarjeta de registro incluida en el producto empaquetado. Los compradores originales también deberán retener su recibo como comprobante de compra. Los compradores originales que no registren su producto recibirán la garantía de uso doméstico de un año Skil estándar. Los modelos de herramientas eléctricas portátiles de banco de consumo SKIL estarán libres de defectos de material o de fabricación durante un período de noventa días si la herramienta se emplea para uso profesional.

LA ÚNICA OBLIGACIÓN DEL VENDEDOR Y EL RECURSO EXCLUSIVO QUE USTED TIENE bajo esta Garantía Limitada y, hasta donde la ley lo permita, bajo cualquier garantía o condición implícita por ley, consistirá en la reparación o sustitución sin costo de las piezas que presenten defectos de material o de fabricación y que no hayan sido utilizadas incorrectamente, manejadas descuidadamente o reparadas incorrectamente por personas que no sean el Vendedor o una Estación de servicio autorizada. Para efectuar una reclamación bajo esta Garantía Limitada, usted debe devolver el producto completo, con el transporte prepago, a cualquier Centro de servicio de fábrica SKIL o Estación de servicio SKIL autorizada. Para localizar Estaciones de servicio autorizadas de herramientas mecánicas SKIL, sírvase visitar www.skil.com o llame al 1-877-SKIL-999 (1-877-754-5999).

ESTA GARANTÍA LIMITADA NO SE APLICA A ARTÍCULOS ACCESORIOS TALES COMO HOJAS PARA SIERRAS CIRCULARES, BROCAS PARA TALADROS, BROCAS PARA FRESADORAS, HOJAS PARA SIERRAS DE VAIVÉN, CORREAS PARA LIJAR, RUEDAS DE AMOLAR Y OTROS ARTÍCULOS RELACIONADOS.

TODAS LAS GARANTÍAS IMPLÍCITAS TENDRÁN UNA DURACIÓN LIMITADA A UN AÑO A PARTIR DE LA FECHA DE COMPRA. ALGUNOS ESTADOS DE LOS EE.UU. Y ALGUNAS PROVINCIAS CANADIENSES NO PERMITEN LIMITACIONES EN CUANTO A LA DURACIÓN DE UNA GARANTÍA IMPLÍCITA, POR LO QUE ES POSIBLE QUE LA LIMITACIÓN ANTERIOR NO SEA APLICABLE EN EL CASO DE USTED.

EL VENDEDOR NO SERÁ RESPONSABLE EN NINGÚN CASO DE NINGÚN DAÑO INCIDENTAL O EMERGENTE (INCLUYENDO PERO NO LIMITADO A RESPONSABILIDAD POR PÉRDIDA DE BENEFICIOS) QUE SE PRODUZCA COMO CONSECUENCIA DE LA VENTA O UTILIZACIÓN DE ESTE PRODUCTO. ALGUNOS ESTADOS DE LOS EE.UU. Y ALGUNAS PROVINCIAS CANADIENSES NO PERMITEN LA EXCLUSIÓN O LIMITACIÓN DE LOS DAÑOS INCIDENTALES O EMERGENTES, POR LO QUE ES POSIBLE QUE LA LIMITACIÓN O EXCLUSIÓN ANTERIOR NO SEA APLICABLE EN EL CASO DE USTED.

ESTA GARANTÍA LIMITADA LE CONFIERE A USTED DERECHOS LEGALES ESPECÍFICOS Y ES POSIBLE QUE USTED TAMBIÉN TENGA OTROS DERECHOS QUE VARÍAN DE ESTADO A ESTADO EN LOS EE.UU., DE PROVINCIA A PROVINCIA EN CANADÁ Y DE PAÍS EN PAÍS.

ESTA GARANTÍA LIMITADA SE APLICA SÓLO A LOS PRODUCTOS VENDIDOS EN LOS ESTADOS UNIDOS DE AMÉRICA, CANADÁ Y EL ESTADO LIBRE ASOCIADO DE PUERTO RICO. PARA COBERTURA DE GARANTÍA EN OTROS PAÍSES, PÓNGASE EN CONTACTO CON SU DISTRIBUIDOR O IMPORTADOR LOCAL DE SKIL.

© Robert Bosch Tool Corporation 1800 W. Central Road Mt. Prospect, IL 60056-2230

Exportado por: Robert Bosch Tool Corporation Mt. Prospect, IL 60056-2230, E.U.A.

Importado a México por: Robert Bosch, S.A. de C.V., Calle Robert Bosch No. 405, Zona Industrial, Toluca, Edo. de México, C.P. 50070, Tel. (722) 2792300