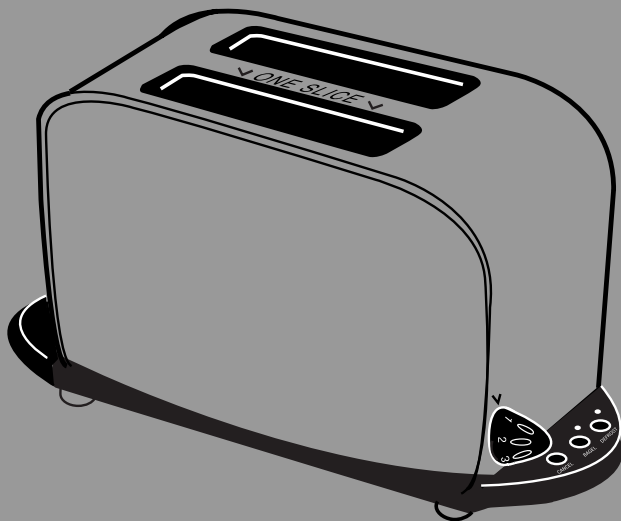


A
LEADING
BRAND IN THE UK

Russell Hobbs®



2-Slice Motorized Toaster

OWNER'S MANUAL

RH2MT

IMPORTANT SAFEGUARDS

WARNING: A risk of fire and electric shock exists in all electrical appliances and may cause personal injury or death. Please follow all safety instructions.

When using electrical appliances, basic safety precautions should always be followed including the following:

1. Read all instructions.
2. Do not touch hot surfaces. Use handles or knobs.
3. To protect against electrical shock, do not immerse Cord, Plug or the appliance in water or any other liquid.
4. Close supervision is necessary when any appliance is used by or near children.
5. Unplug from outlet when not in use and before cleaning. Allow to cool before putting on or taking off parts .
6. Do not operate any appliance with a damaged cord or plug or after the appliance malfunctions or has been damaged in any manner. Contact Consumer Service for examination, repair or adjustment.
7. The use of attachments not recommended by the appliance manufacturer may cause injuries.
8. Do not use outdoors.
9. Do not let cord hang over edge of table or counter, or touch hot surfaces.
10. Do not place on or near a hot gas or electric burner, or in a heated oven.
11. To disconnect, turn any control to "off", then remove plug from wall outlet.
12. Do not use appliance for other than intended use.
13. Oversized foods, metal foil packages or utensils must not be inserted into this appliance, as they may involve a risk of fire or electric shock.
14. A fire may occur if toasters are covered or touching flammable material, including curtains, draperies, walls, and the like, when in operation.
15. Do not attempt to dislodge food when Toaster is plugged in.

SAVE THESE INSTRUCTIONS

THIS PRODUCT IS FOR HOUSEHOLD USE ONLY

Additional Important Safeguards

WARNING: ELECTRICAL SHOCK HAZARD. Never attempt to dislodge food inside the Toaster while the Toaster is plugged in. Doing so could cause an electrical shock hazard or a risk of fire.

CAUTION: This appliance is hot during operation and retains heat for some time after turning off. Always use oven mitts when handling hot materials and allow metal parts to cool before cleaning. Do not place anything on top of the Toaster while it is operating or while it is hot.

CAUTION: This appliance generates heat during use. Proper precautions must be taken to prevent the risk of burns, fires or other damage to persons or property.

1. All users of this appliance must read and understand this Owner's Manual before operating or cleaning this appliance.
2. The cord to this appliance should be plugged into a 110V/120V AC electrical outlet only.
3. If this appliance begins to malfunction during use, immediately press the "CANCEL" Button and unplug the cord. Do not use or attempt to repair the malfunctioning appliance.
4. Use the Toaster on a hard, flat surface. Do not place it near a flame or heat or on a soft surface (such as carpet). Avoid placing it where it may tip over during use. Dropping the Toaster could cause it to malfunction.
5. Avoid electric shock by unplugging the Toaster before cleaning.

Polarized Plug

This appliance has a polarized plug (one blade is wider than the other). As a safety feature to reduce the risk of electrical shock, this plug is intended to fit in a polarized outlet only one way. If the plug does not fit fully into the outlet, reverse the plug. If it still does not fit, contact a qualified electrician. Do not attempt to defeat this safety feature.

Short Cord Instructions

CAUTION: A short power supply cord is provided to reduce the risk of personal injury resulting from becoming entangled in or tripping over a longer cord. Extension cords are available from local hardware stores and may be used if care is exercised in their use. If an extension cord is required, special care and caution is necessary. Also the cord must be: (1) marked with an electrical rating of 125 V, and at least 13 A., 1625 W., and (2) the cord must be arranged so that it will not drape over the countertop or tabletop where it can be pulled on by children or tripped over accidentally.

Electric Power

If the electric circuit is overloaded with other appliances, your appliance will not operate. It should be operated on a separate electrical circuit from other appliances.

CAUTION: To prevent Plasticizers to migrate from the finish of the counter top or table top or other furniture, place NON-PLASTIC coasters or place-mats between the appliance and the finish of the counter top or table top.

Failure to do so may cause the finish to darken, permanent blemishes may occur or stains can appear.

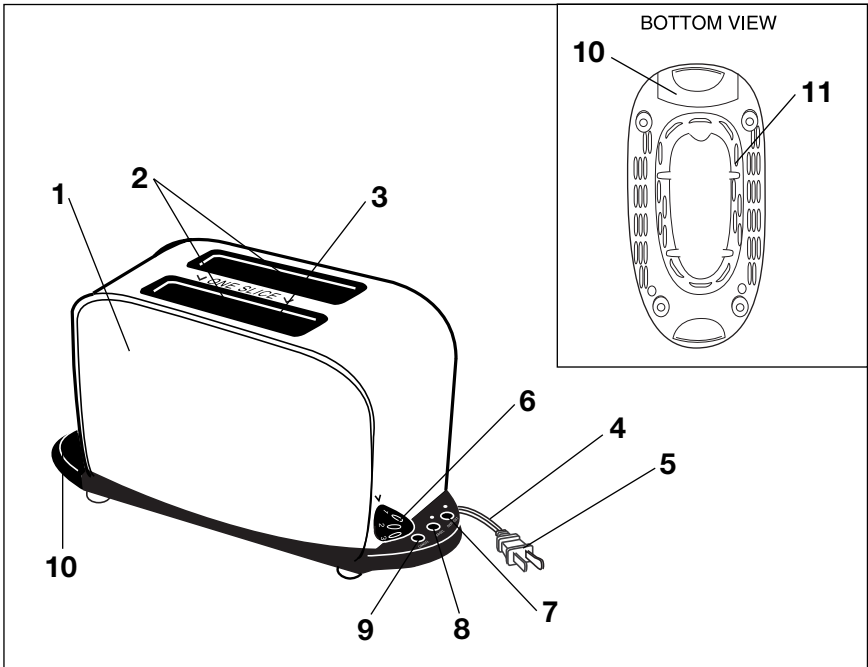
Introduction

Congratulations on your purchase of the Russell Hobbs® 2-Slice Motorized Toaster. This Toaster, with its classic looks and styling, offers you state-of-the-art toasting functions. With its automatic bread lever, just pop the bread into the Toaster and watch it go to work! As soon as bread is placed into the Bread Slots, the toaster automatically lowers the bread, turns on the heating elements, and toasts your bread to your selected color — it's that easy!

And enjoy chewy bagels or English Muffins by activating the "Bagel Cycle" — toasting occurs on only one side!

Finally, use the convenient "Defrost Cycle" to slowly defrost breads or other bread products before toasting for that perfect toasted consistency every time!

Russell Hobbs® RH2MT Toaster Features



1. **Brushed Stainless Steel Exterior** - Attractive and easy to clean.
2. **Bread Slots** - Extra large to accommodate thin or thick slices of bread, bagels, or muffins.
3. **"One Slice" Slot** - Use this toasting well when toasting only one slice of bread, etc.
4. **Cord**
5. **Polarized Plug**
6. **Adjustable Browning Control** - Adjustable between 1 (light) and 7 (dark).
7. **Defrost Cycle Button** - Use when toasting frozen bread/bagels, waffles, etc. Slowly defrosts bread before toasting to encourage proper browning.
8. **Bagel Cycle Button** - Use for toasting bagels or English muffins; toasts only one side for a perfect bagel/English muffin every time!
9. **Cancel Button** - Stops or interrupts toasting cycle and automatically raises bread to end toasting cycle.
10. **Crumb Tray** (Plastic Handle P/N 21125; Metal Tray P/N 21128) - Slides out for easy cleaning.
11. **Cord Storage Wrap** - Cord wraps around storage compartment on bottom of Toaster.

Before Using for the First Time

1. Remove any packaging materials which may be inside the Bread Slots and wipe the steel exterior with a damp cloth. Dry thoroughly.
2. Be sure the Removable Crumb Tray is pushed all the way into the Toaster and is flush with the Toaster Handle. When installed properly, the Crumb Tray will "lock" into position.
3. Unwrap power cord from Cord Storage Wrap on underside of Toaster.

Instructions for Use

WARNING: ELECTRICAL SHOCK HAZARD. *Never attempt to dislodge food inside the toaster while the toaster is plugged in. Doing so could cause an electrical shock hazard or a risk of fire.*

CAUTION: *This appliance is hot during operation and retains heat for some time after turning off. Always use oven mitts when handling hot materials and allow metal parts to cool before cleaning. Do not place anything on top of the Toaster while it is operating or while it is hot.*

CAUTION:

- **DO NOT** toast pastries or Pop Tarts with runny fillings or frosting.
- **DO NOT** toast torn slices of bread.
- **DO NOT** place buttered bread or wrapped food into the Toaster.
- **DO NOT** toast small-size breads like "melba", mini-baguettes, breadsticks, etc.

Toasting Bread

1. Be sure no bread or other objects are inside either Bread Slot. Place Toaster on a flat, level surface and plug power cord into a standard, household electrical outlet.
2. Turn Adjustable Browning Control to desired setting. (You may want to experiment with the Adjustable Browning Control to determine your preference.) Turn Adjustable Browning Control to "1" for lightest setting; turn to "7" for darkest setting. Or, the Adjustable Browning Control can be set to any number in between for a more medium setting.

Instructions for Use (Cont.)

3. Remove any protective wrappings from food before placing into Bread Slots. Place bread into Bread Slots. NOTE: When toasting only one slice of bread, place bread into "One-Slice Slot" as indicated on page 6.

As soon as the bread contacts the switch lever, the bread automatically lowers and the heating elements turn on. The first time you use your Toaster, you may notice a slight odor. This is normal and will stop as the heating elements continue to heat.

The bread will cook to the selected browning setting and will automatically raise when the bread has finished toasting. The Toaster will also turn off when the bread raises.

IMPORTANT: If the bread gets jammed, **DO NOT** attempt to dislodge the bread while the Toaster is plugged in. Unplug the Toaster, allow it to cool, and attempt to free the bread using wooden tongs.

NOTE: DO NOT change Adjustable Browning Control selection during toasting cycle. Press "CANCEL," change setting, and replace bread if desired.

To stop or interrupt the toasting cycle, press "CANCEL" button. The bread will automatically pop-up and the Toaster will turn off.

Remove bread from Bread Slots. **Use care when removing bread as the bread and Toaster will still be hot.**

Repeat steps 2-3 for additional toast as desired.

4. When all toasting is complete, unplug Toaster from electrical outlet and allow toaster to cool completely.
5. For storing Toaster, empty Crumb Tray and wrap cord around Cord Storage Wrap. See "User Maintenance Instructions."

ADVANCED FEATURES

NOTE: To activate the Bagel or Defrost setting, you must first place the bread into the bread slot(s), then press the appropriate button. These functions will not work properly if you press the button, THEN place the bread in the slot(s).

1. Using the "Bagel" Setting

Always slice bagels into equal halves before toasting. Arrange bagel so each "cut" side will be toward the center of the Toaster. Place bagel into Bread Slot(s). After bread has lowered, **immediately** press "**BAGEL**" button. A red LED next to the button will light, indicating the Toaster is in Bagel cycle. This changes the toasting cycle to heat only one side of EACH bread slot—toasting the bagel only on the "cut" side (keeping the rest of the bagel chewy). The Bagel setting works great for English Muffins, too!

2. Using the "Defrost" Setting

Place frozen bread, waffles, etc. into Bread Slot(s). **Immediately** press the "**DEFROST**" button. A red LED next to the button will light, indicating the Toaster is in the Defrost cycle. The Toaster will defrost the bread, etc. and then automatically switch to the toasting cycle. This allows the bread, waffles, etc. to reach the proper browning selection.

User Maintenance Instructions

This Russell Hobbs® 2-Slice Motorized Toaster requires little maintenance. It contains no user-serviceable parts. Contact qualified personnel if the product requires servicing.

CAUTION: Do not immerse Toaster, Cord, or Plug into water or any other liquid.

Cleaning

To keep your Toaster operating properly, clean regularly. Do not allow bread crumbs to accumulate in the Crumb Tray.

1. Unplug Toaster and allow it to cool completely before cleaning.
2. Remove any food which may have jammed in the Bread Slots. Remove bread pieces with wooden tongs. Do not use fork, knife, or other sharp metal objects as it may damage heating elements.
3. Gently shake the Toaster to allow all crumbs to fall to into the Crumb Tray. Set Toaster on a flat surface and carefully pull out Crumb Tray.
4. Discard all crumbs in Crumb Tray. Wipe Crumb Tray clean with a damp cloth. **Always dry Crumb Tray thoroughly.** Re-insert Crumb Tray into Toaster. Be sure Crumb Tray is all the way in and locks into position.
5. Wipe Toaster exterior with a damp cloth. Dry completely with a soft cloth. **DO NOT use harsh or abrasive cleansers as these could damage the Toaster exterior.**

Storage

1. Clean Toaster as instructed above.
2. Wrap Cord around Cord Storage Wrap on bottom of Toaster. **Never wrap cord tightly around the appliance.** Do not put any stress on the cord where it enters the unit, as it could cause the cord to fray and break.
3. Store Toaster in its original box in a clean, dry location.

LIMITED ONE YEAR WARRANTY

Warranty: This Russell Hobbs® product is warranted by Salton, Inc. to be free from defects in materials or workmanship for a period of (1) year from the original purchase date. This product warranty covers only the original consumer purchaser of the product.

Warranty Coverage: This warranty is void if the product has been damaged by accident in shipment, unreasonable use, misuse, neglect, improper service, commercial use, repairs by unauthorized personnel, normal wear and tear, improper assembly, installation or maintenance abuse or other causes not arising out of defects in materials or workmanship. This warranty is effective only if the product is purchased and operated in the USA, and does not extend to any units which have been used in violation of written instructions furnished with the product or to units which have been altered or modified or to damage to products or parts thereof which have had the serial number removed, altered, defaced or rendered illegible.

Implied Warranties: ANY IMPLIED WARRANTIES WHICH THE PURCHASER MAY HAVE ARE LIMITED IN DURATION TO ONE (1) YEAR FROM THE DATE OF PURCHASE. Some states do not allow limitations on how long an implied warranty lasts, so the above limitation may not apply to you.

Warranty Performance: During the above one-year warranty period, a product with a defect will be either repaired or replaced with a reconditioned comparable model (at our option) when the product is returned to the Repair Center, or the purchase price refunded. The repaired or replacement product will be in warranty for the balance of the one-year warranty period and an additional one-month period. No charge will be made for such repair or replacement.

Service and Repair: Should the appliance malfunction, you should first call toll-free 1 (800) 233-9054 between the hours of 9:00 am and 5:00 pm Central Standard Time and ask for CONSUMER SERVICE stating that you are a consumer with a problem. Please refer to model number RH2MT when you call.

In-Warranty Service (USA): For an appliance covered under the warranty period, no charge is made for service or postage. Call for return authorization (1 800 233-9054).

Out-of-Warranty Service: A flat rate charge by model is made for out-of-warranty service. Include \$8.00 (U.S.) for return shipping and handling. We will notify you by mail of the amount of the charge for service and require you to pay in advance for the repair or replacement.

For Products Purchased in the USA, but Used in Canada: You may return the product insured, packaged with sufficient protection, and postage and insurance prepaid to the USA address listed below. Please note that all customs duty / brokerage fees, if any, must be paid by you and we will require you to pay the cost of customs duty / brokerage fees to us in advance of our performing any service.

Risk During Shipment: We cannot assume responsibility for loss or damage during incoming shipment. For your protection, carefully package the product for shipment and insure it with the carrier. Be sure to enclose the following items with your appliance: any accessories related to your problem, your full return address and daytime phone number, a note describing the problem you experienced, a copy of your sales receipt or other proof of purchase to determine warranty status. C.O.D. shipments cannot be accepted.

To return the appliance, ship to:

Attn: Repair Center
Salton, Inc.
708 South Missouri Street
Macon, MO 63552

To contact us, please write to, call, or email:

Salton, Inc.
P.O. Box 7366
Columbia, MO 65205-7366
1 800 233-9054
Email: Salton@Saltonusa.com

Limitation of Remedies: No representative or person is authorized to assume for Salton, Inc. any other liability in connection with the sale of our products. There shall be no claims for defects or failure of performance or product failure under any theory of tort, contract or commercial law including, but not limited to negligence, gross negligence, strict liability, breach of warranty and breach of contract. Repair, replacement or refund shall be the sole remedy of the purchaser under this warranty, and **in no event shall Salton be liable for any incidental or consequential damages, losses or expenses.** Some states do not allow the exclusion or limitation of incidental or consequential damages, so the above limitation or exclusion may not apply to you.

Legal Rights: This warranty gives you specific legal rights, and you may also have other rights which vary from state to state.

For more information on Salton products: Visit our website: <http://www.eSalton.com>

© 2002 Salton, Inc.
All Rights Reserved

P/N 61183
Printed in China