

Parts Manual for

SNAPPER®

21" STEEL DECK WALK BEHIND MOWER "MR" SERIES 17

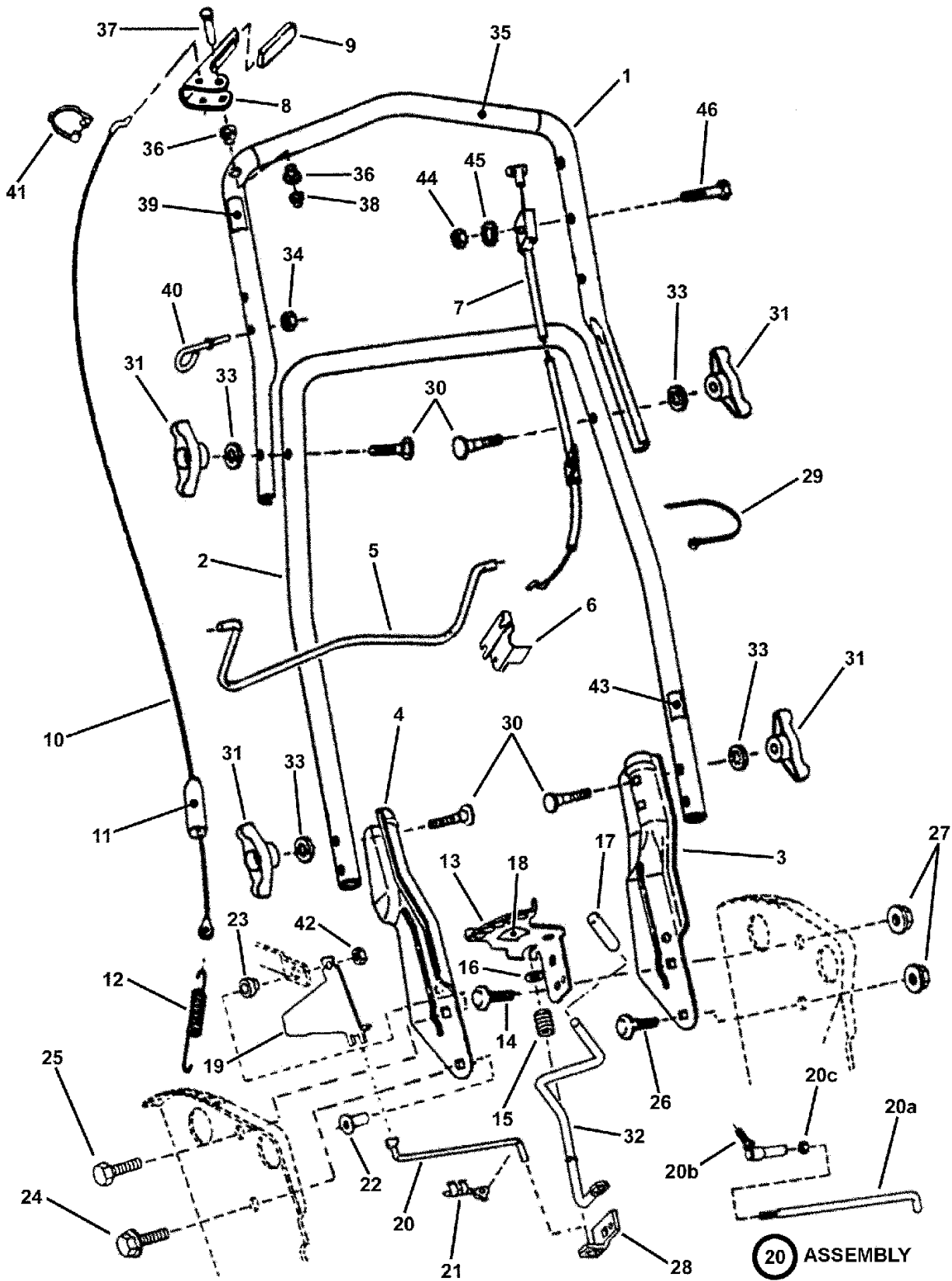


<i>PUSH MODELS</i>	<i>PROPELLED MODELS</i>
<i>MR216017B</i>	<i>EMRP216017B</i>
<i>MR216017BV</i>	<i>EMRP216517B</i>
<i>MR216517B</i>	<i>MRP216017B</i>
<i>WMR216017B</i>	<i>MRP216017BV</i>
<i>WMR216017BV</i>	<i>MRP216517B</i>
<i>WMR216517B</i>	<i>WMRP216017B</i>
	<i>WMRP216517B</i>

SNAPPER® McDonough, GA, 30253 U.S.A.

PAGE	GROUP
4	HANDLES & CONTROLS (2002 & EARLIER)
8	HANDLES & CONTROLS (2003 Model Year)
12	CUTTING DECK, BLADE
14	FRONT WHEEL BRACKET
16	REAR WHEEL BRACKETS, LATCHES
18	DRIVE SYSTEM SELF-PROPELLED
22	TRANSMISSION (DIFFERENTIAL)
24	FRONT WHEELS
26	REAR WHEELS
28	DECALS
30	DECALS (Continued)
32	DECALS (Cont.)
34	SIDE CHUTE, ADAPTER
36	GRASS BAG ACCESSORY
38	THATCHERIZER ACCESSORY
40	SNAPPERIZER ACCESSORY
42	RECYCLING KITS ACCESSORY

HANDLES & CONTROLS (2002 & EARLIER)

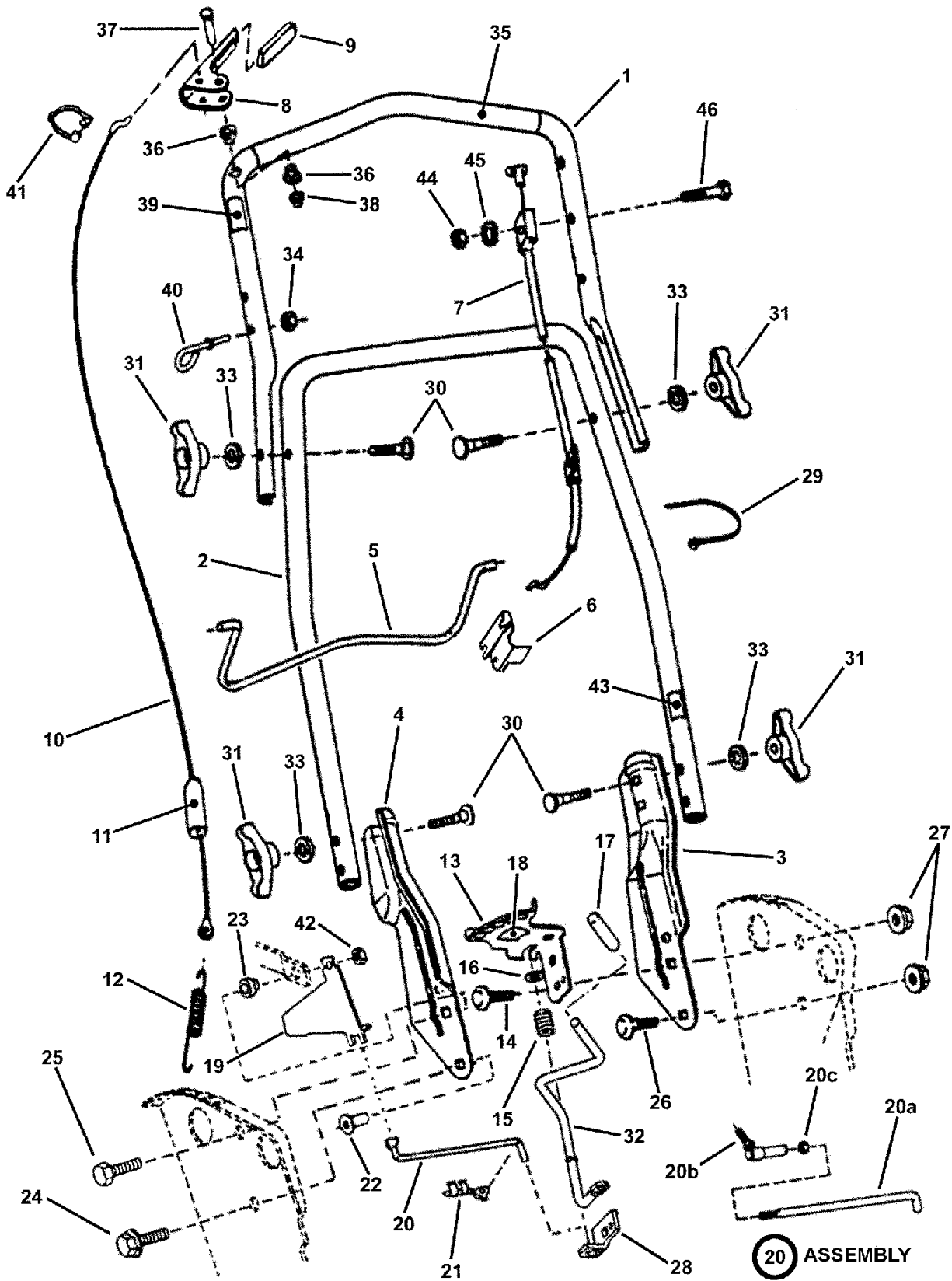


HANDLES & CONTROLS (2002 & EARLIER)

Item	Part No	Qty	Description	Note
1	7074254	1	HANDLE, Upper	Was 72931 (used on All)
2	7036350	1	HANDLE, Middle- 1990	used on All
3	7046502	1	HANDLE, Lower Left Hand	used on All
4	7035342	1	HANDLE, Lower Right Hand	used on All
5	7047011	1	BAIL, Blade Control	used on All
6	7034872	1	CLIP, Blade Control	used on All
7	7072933	1	CABLE, Blade Control (49-1/4" long)	used on All
8	7032826	1	HANDLE, Wheel Drive	used on Self-Propelled
9	7014307	1	GRIP, Wheel Drive Handle	used on Self-Propelled
--	7029775	1	GRIP, Wheel Drive Handle (Euro)	used on Self-Propelled (Euro)
10	7072932	1	CABLE, Clutch Pull (Z-Bend, 38-5/8" long)	used on Self-Propelled
11	7012121	1	COVER, Vinyl	used on Self-Propelled
12	7012122	1	SPRING, Clutch	used on Self-Propelled
13	7041871	1	SECTOR, Speed	used on Self-Propelled
14	7091714	1	BOLT, 5/16-18 x 1" Square Neck Carriage GR 5	Was 91238 (used on All)
15	7012093	1	SPRING, Speed Control	used on Self-Propelled
16	7090188	1	WASHER, 3/8" Flat	used on Self-Propelled
17	7023801	1	GRIP, Speed Control Handle	Was 29383, used on Self-Propelled
18	7024087	1	DECAL, Speed Select	used on Self-Propelled
--	7029783	1	DECAL, Speed Select (Euro)	used on Self-Propelled (Euro)
19	7032408	1	GUIDE, Lower V-Belt	used on Self-Propelled
20	7023790	1	ROD, Transfer	used on Self-Propelled
--	7051698	1	ASSY., Transfer Rod (Incl. indented items below)	used on Self-Propelled (Euro)
20a	7015752	1	LINK, Transfer	used on Self-Propelled (Euro)
20b	7015753	1	BALL JOINT, 1/4-28	used on Self-Propelled (Euro)
20c	7090095	1	NUT, 1/4-28 Hex	used on Self-Propelled (Euro)
21	7010937	1	CLIP, Transfer Rod 1/4"	used on Self-Propelled
22	7090895	1	TEE-NUT, 5/16-18	used on Self-Propelled
23	7012114	1	BUSHING, Differential	used on Self-Propelled
24	7090595	2	BOLT, 5/16-18 x 3/4" Hex Flange Lock GR5	used on All
25	7090238	1	SCREW, 5/16-24 x 1" Hex Head Cap GR5	used on All
26	7090799	1	BOLT, 5/16-18 x 5/8" Short Neck Carriage GR5	Was 91026 (used on All)
27	7091601	10	NUT, 5/16-18 Hex Flange Lock GR5	Was 91070 (used on All)
28	7046202	1	BRACKET, Speed Control Rod	used on Self-Propelled
29	7024641	2	WIRE TIE, 1.29" Long (Black)	used on All
30	7091740	4	SCREW, 5/16-18 x 1-7/8" Curved Head GR2	Was 91189 (used on All)
31	7035744	4	T-KNOB, 5/16-18 (BLACK)	used on All

Footnotes:

HANDLES & CONTROLS (2002 & EARLIER)

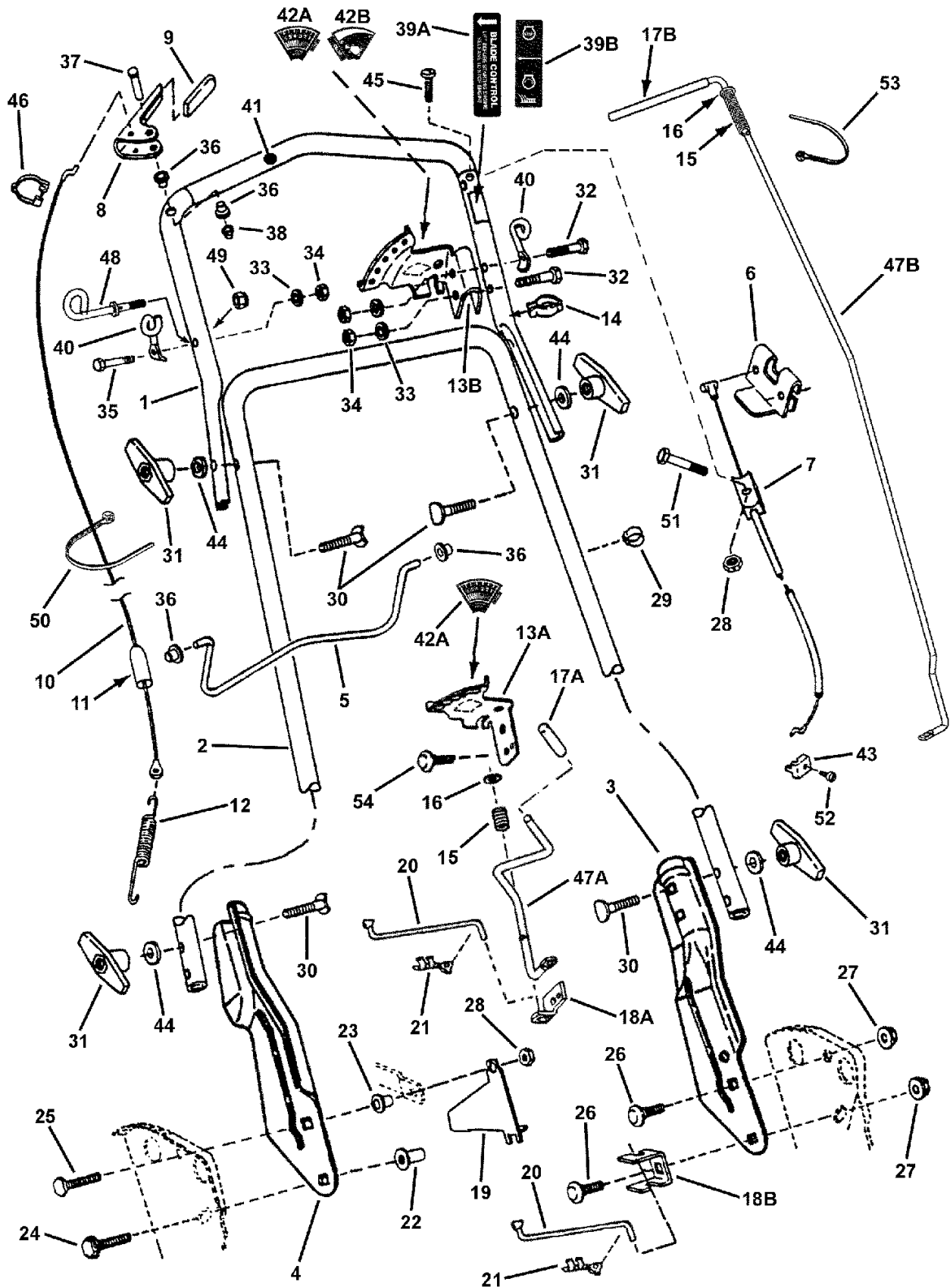


HANDLES & CONTROLS (2002 & EARLIER)

Item	Part No	Qty	Description	Note
32	7041870	1	LEVER, Speed Control	<i>used on Self-Propelled</i>
33	7090391	4	WASHER, 5/16" Internal Tooth Lock	<i>used on All</i>
34	7076978	1	NUT, 1/4-28 Hex GR5 or B	<i>used on All</i>
35	7075634	1	FOAM GRIP, .84 I.D. x 11" long	<i>Was 73115 (Used on All)</i>
36	7014343	2	BUSHING	<i>used on All</i>
37	7023792	1	PIN, Clutch Handle	<i>used on Self-Propelled</i>
38	7091020	1	PUSH-NUT, 1/4" (for handle pin)	<i>used on Self-Propelled</i>
39	7024211	1	DECAL, Blade Control (Right Hand Side)	<i>used on all (except Euro)</i>
--	7029782	1	DECAL, Blade Control (Right Hand Side)	<i>used on European</i>
40	7046465	1	GUIDE, Rope	<i>used on All</i>
41	7026219	1	CLAMP, 7/8" Double Cable	<i>used on All</i>
42	7091606	1	NUT, 5/16-24 Hex Center Lock GR5	<i>Was 91074 (used on All)</i>
43	7041942	1	DECAL, Shift Warning	<i>used on Self-Propelled</i>
44	7091576	3	NUT, 1/4-20 Hex	<i>Was 91100 (used on All)</i>
45	7091022	3	WASHER, 1/4" Internal Tooth Lock	<i>used on All</i>
46	7091813	1	SCREW, 1/4-20 x 1-3/4" Hex Head Cap GR5	<i>Was 91222 (used on All)</i>

Footnotes:

HANDLES & CONTROLS (2003 Model Year)



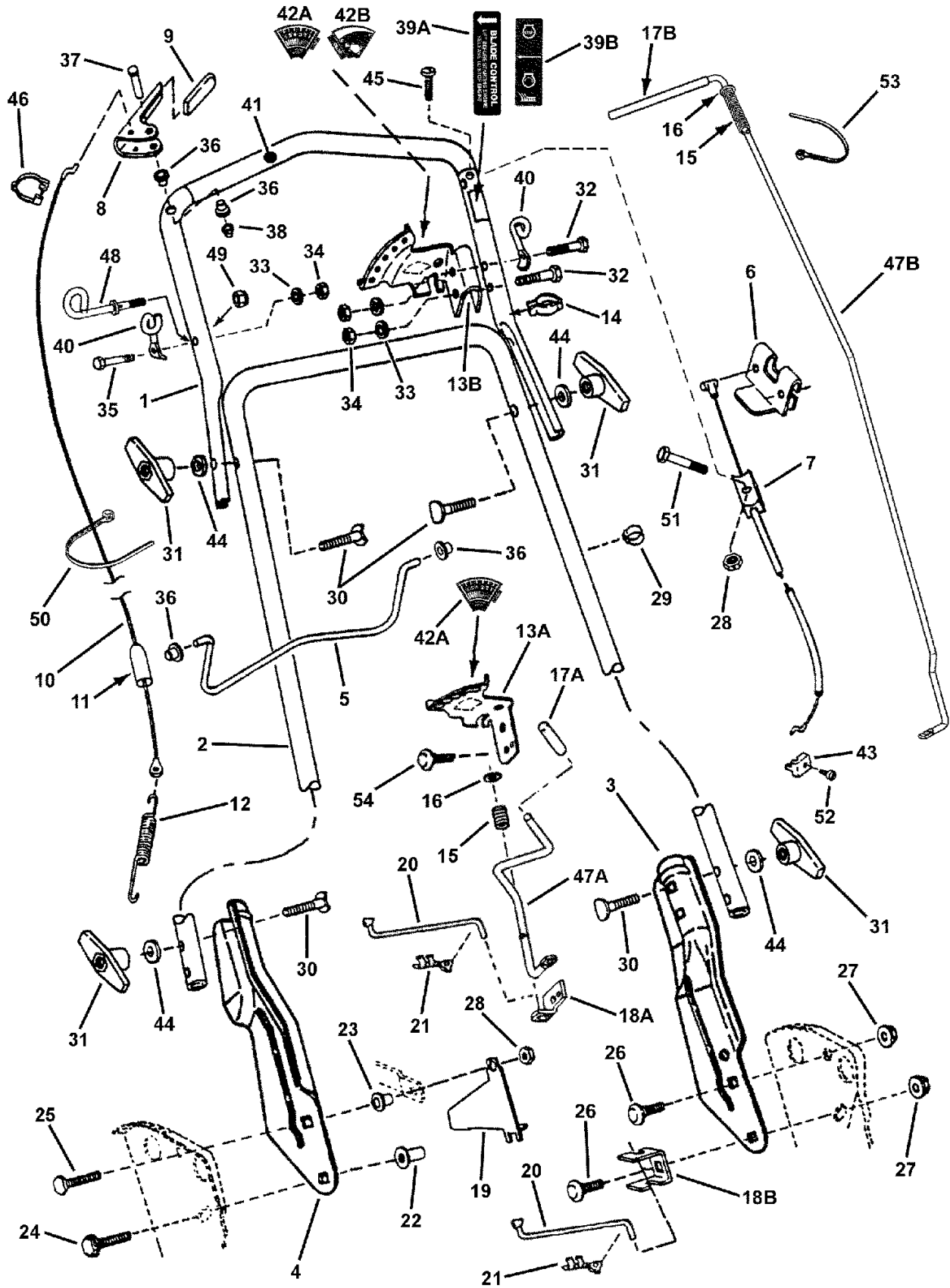
HANDLES & CONTROLS (2003 Model Year)

Item	Part No	Qty	Description	Note
1	7072931	1	HANDLE, Upper	<i>used on Push Models (except MR216517B)</i>
1	7075313	1	HANDLE, Upper	<i>used on Push Model MR216517B</i>
1	7074254	1	HANDLE, Upper	<i>used on Self-Propelled</i>
2	7036350	1	HANDLE, Middle- 1990	
3	7046502	1	HANDLE, Lower Left Hand	
4	7035342	1	HANDLE, Lower Right Hand	
5	7047011	1	BAIL, OPC Control (12.5" Wide)	
6	7034872	1	CLIP, Blade Control	
7	7072933	1	CABLE, Blade Control (49-1/4" long)	<i>used on MR216517B & MRP216517B</i>
7	7074868	1	CABLE, Blade Control (46.-15/16" long)	<i>used on All Other Models</i>
8	7032826	1	HANDLE, Wheel Drive	<i>used on Self-Propelled</i>
9	7014307	1	GRIP, Wheel Drive Handle	<i>used on Self-Propelled</i>
10	7072932	1	CABLE, Clutch Pull (Z-Bend, 38-5/8" long)	<i>used on Self-Propelled</i>
11	7012121	1	COVER, Vinyl	<i>used on Self-Propelled</i>
12	7012122	1	SPRING, Clutch	<i>used on Self-Propelled</i>
13A	7041871	1	SECTOR, Speed	<i>used on MRP216517B</i>
13B	7038478	1	SECTOR, Speed	<i>used on all other Self-Propelled models</i>
14	7024641	1	WIRE TIE, 1.29" Long (Black)	
15	7012093	1	SPRING, Speed Control	<i>used on Self-Propelled</i>
16	7090188	1	WASHER, 3/8" Flat	<i>used on Self-Propelled</i>
17A	7029383	1	GRIP, Speed Control Handle	<i>used on MRP216517B</i>
17B	7023801	1	GRIP, Speed Control Handle	<i>used on all other Self-Propelled models</i>
18A	7046202	1	BRACKET, Speed Control Rod	<i>used on MRP216517B</i>
18B	7032830	1	ANCHOR, Speed Control	<i>used on all other Self-Propelled models</i>
19	7032408	1	GUIDE, Lower V-Belt	<i>used on Self-Propelled</i>
20	7023790	1	ROD, Transfer	<i>used on Self-Propelled</i>
21	7010937	1	CLIP, Transfer Rod 1/4"	<i>used on Self-Propelled</i>
22	7090895	1	TEE-NUT, 5/16-18	<i>used on Self-Propelled</i>
23	7012114	1	BUSHING, Differential	<i>used on Self-Propelled</i>
24	7090595	2	BOLT, 5/16-18 x 3/4" Hex Flange Lock GR5	
25	7090238	1	SCREW, 5/16-24 x 1" Hex Head Cap GR5	
26	7091026	1	BOLT, 5/16-18 x 5/8" Short Neck Carriage GR5	
27	7091070	10	NUT, 5/16-18 Hex Flange Lock GR5	
28	7091074	1	NUT, 5/16-24 Hex Center Lock GR5	
29	7023813	1	CLIP, Cable/Wiring	
30	7091189	4	SCREW, 5/16-18 x 1-7/8" Curved Head GR2	
31	7035744	4	T-KNOB, 5/16-18 (BLACK)	

Footnotes:

On Blade Control, SNAPPER P/N & Revision Level appear on cable

HANDLES & CONTROLS (2003 Model Year)



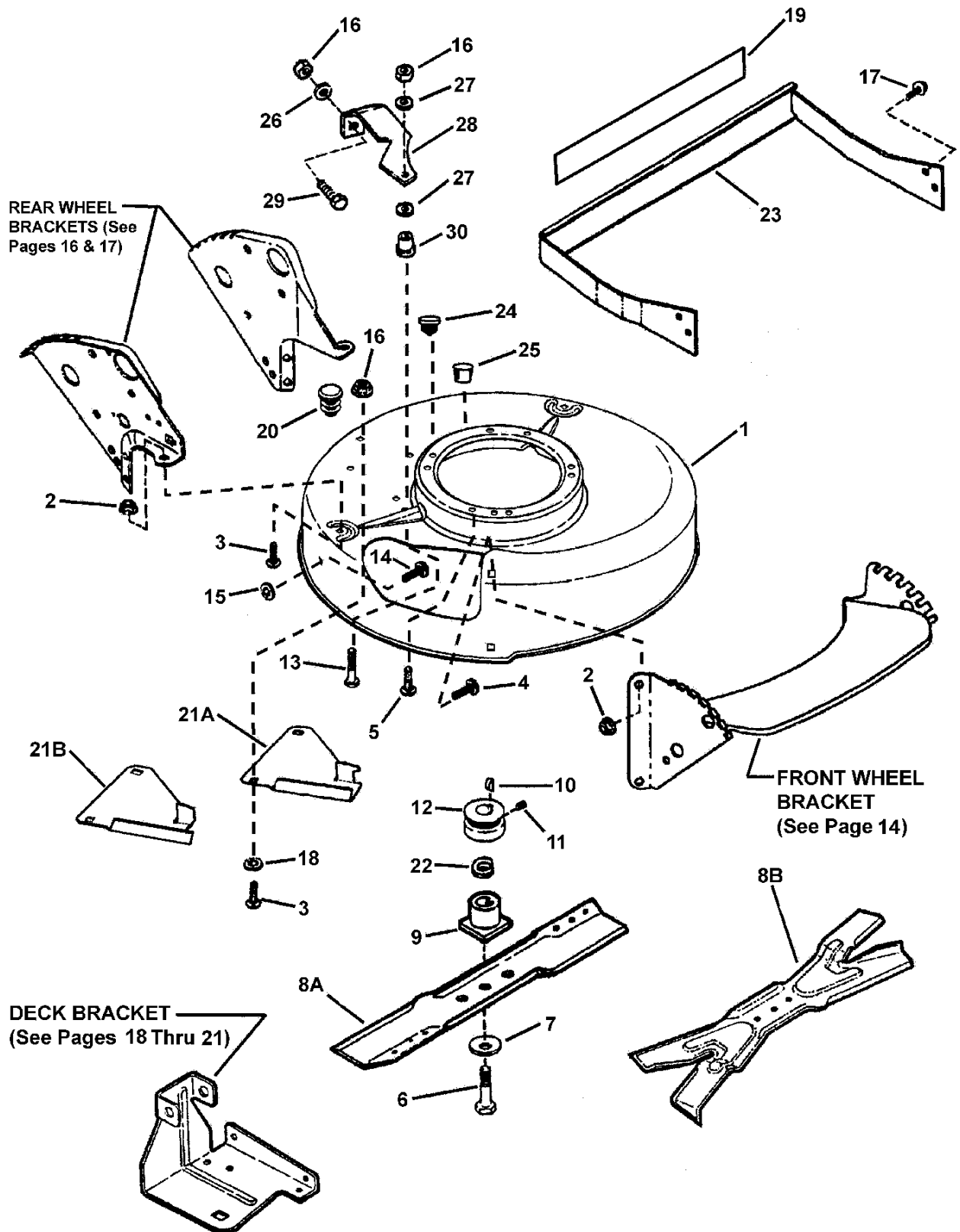
HANGLES & CONTROLS (2003 Model Year)

Item	Part No	Qty	Description	Note
32	7079577	2	SCREW, 1/4-20 x 1-1/2 Hex Head Cap GR5	
33	7091023	3	WASHER, 1/4" Internal Tooth Lock	
34	7091100	3	NUT, 1/4-20 Hex GR5 or B	
35	7090505	1	SCREW, 1/4-20 x 2" Hex Head Cap GR5	<i>used on All except MR216517 and MRP216517</i>
36	7014343	2	BUSHING	
37	7023792	1	PIN, Clutch Handle	<i>used on Self-Propelled</i>
38	7091020	1	PUSH-NUT, 1/4" (for handle pin)	<i>used on Self-Propelled</i>
39A	7024211	1	DECAL, Blade Control (Left Hand Side)	<i>used on all (except Euro)</i>
39B	7029782	1	DECAL, Blade Control (Left Hand Side)	<i>used on European</i>
40	7026141	2	GUIDE, Rope	<i>used on All except MR216517 and MRP216517</i>
41	7073115	1	FOAM GRIP, .84 I.D. x 11" long	
42A	7024087	1	DECAL, Speed Select	<i>used on Self-Propelled (except Euro)</i>
42B	7029783	1	DECAL, Speed Select (Euro)	<i>used on Self-Propelled (Euro)</i>
43	7023153	1	CLAMP, Casing	<i>used on All except MR216517 and MRP216517</i>
44	7090391	4	WASHER, 5/16" Internal Tooth Lock	
45	7090545	1	SCREW, 5/16-24 x 1-1/2" Round Hd. Machine, GR5	<i>used on All except MR216517 and MRP216517</i>
46	7026219	1	CLAMP, 7/8" Double Cable	
47A	7041870	1	LEVER, Speed Control	<i>used on MRP216517B</i>
47B	7074255	1	LEVER, Speed Control	<i>used on all other Self-Propelled models</i>
48	7046465	1	GUIDE, Rope	<i>used on Self-Propelled</i>
49	7076978	1	NUT, 1/4-20 Hex GR5 or B	<i>used on Self-Propelled</i>
50	7012080	1	CABLE-TIE, 7"	<i>used on Self-Propelled</i>
51	7079577	1	SCREW, 1/4-20 x 1-1/2" Hex Head Cap, GR5	<i>used on Self-Propelled</i>
52	7023154	1	SCREW, #10-32 x 5/8" Hex Head Self-Tap	<i>used on All except MR216517 and MRP216517</i>
53	7024649	1	WIRE TIE, 11" Long (Black)	<i>used on Self-Propelled</i>
54	7091238	1	BOLT, 5/16-18 x 1" Square Neck Carriage GR5	<i>used on MRP216517B</i>

Footnotes:

On Blade Control, SNAPPER P/N & Revision Level appear on cable

CUTTING DECK, BLADE



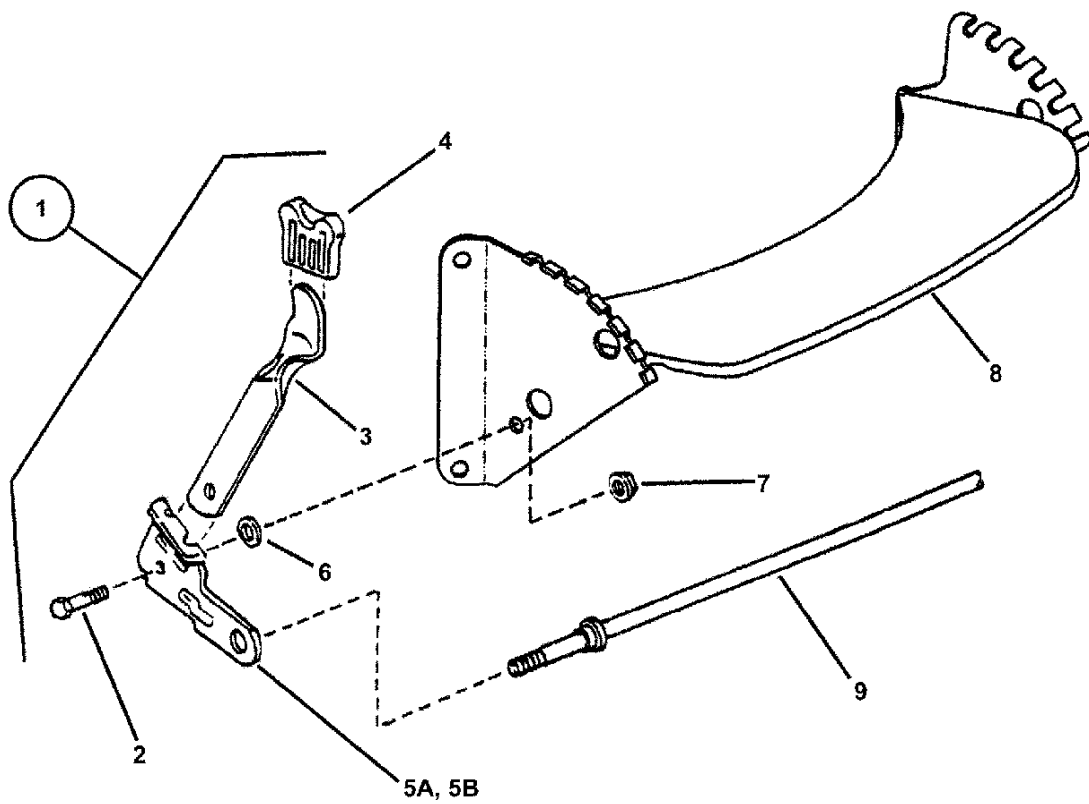
CUTTING DECK, BLADE

Item	Part No	Qty	Description	Note
1	7057884	1	DECK, 21" Mower	<i>Includes painted deck with decals</i>
2	7091601	10	NUT, 5/16-18 Hex Flange Lock, GR5	<i>Was 90585</i>
3	7090731	9	BOLT, 5/16-18 x 1/2" Short Neck Carriage GR5	<i>Was 92061</i>
4	7091169	1	BOLT, 5/16-18 x 1-1/8" Short Neck Carriage GR5	
5	7090324	3	SCREW, 3/8-16 x 1" Self-Tap	<i>(engine mounting screws)</i>
6	7090483	1	SCREW, 3/8-24 x 1-3/4 Hex Head Cap GR5	
7	7012063	2	WASHER, 3/8" I.D. Cone	
8A	7041939	1	BLADE, Cutter (Mulching)	
8B	7026407	1	BLADE, 21" Ninja	<i>used on MR216517B, MRP216517B & EMRP216517B models</i>
9	7015626	1	HUB, Blade Drive 25mm	
10	7091214	1	KEY, Hi-Pro #HP506 (Briggs engine)	
11	7090201	1	SCREW, 5/16-18 x 5/16" Hex Socket Set	
12	7015780	1	PULLEY, Engine Drive (25mm x 2-1/8" O.D.)	
13	7090702	1	BOLT, 5/16-18 x 2-1/4" Hex Flange Lock	<i>used on Euro models</i>
14	7091508	2	BOLT, 5/16-18 x 3/4" Short Neck Carriage GR5	<i>Was 90001 (only one shown)</i>
15	7011791	2	RETAINER, 5/16" Bolt	<i>(only one shown)</i>
16	7091601	3	NUT, 5/16-18 Hex Flange Lock, GR5	<i>Was 91070</i>
17	7091122	4	SCREW, 1/4-20 x 1/2" Hex Washer Self-Tap	<i>Was 90539 (used on Euro models)</i>
18	7031961	1	WASHER, 7/16" Flat	
19	7029785	1	DECAL, Operator Safety	<i>used on Euro models</i>
20	7046780	2	PLUG, Hole Polyethylene	
21A	7046446	1	BAFFLE, Belt	
21B	7074568	1	BAFFLE, Belt	<i>used on MRP216517B</i>
22	7029000	1	SPACER, Blade Hub	
23	7041400	1	WELDMENT, Fender	<i>used on Euro models</i>
24	7046471	3	PLUG, 5/16" Square Hole	<i>used on Push models; (only one shown)</i>
25	7045264	3	PLUG, 5/16" Round Hole	<i>qty. 3 on Push, qty. 2 on Self-Propelled (only one shown)</i>
26	7091076	1	WASHER, 5/16" Flat	<i>used on Euro models</i>
27	7031961	2	WASHER, 7/16" Flat	<i>used on Euro models</i>
28	7033863	1	COVER, Belt	<i>used on Euro models</i>
29	7090534	1	SCREW, 5/16-18 x 1/2" Hex Head Cap, GR5	<i>used on Euro models</i>
30	7013320	1	BUSHING	<i>used on Euro models</i>
--	--		* ENGINE, 6 HP B&S Mod. 126602-0110-E1, OHV Recoil	
--	--		* ENGINE, 6 HP B&S Mod. 12H802-1987-B1, Recoil	
--	--		* ENGINE, 6.5 HP B&S Mod. 123K02-0119E-B1, Recoil	
--	--		* ENGINE, 6.5 HP B&S 123K02-0125E-E1, Recoil	

Footnotes:

NOTE: *Purchase engine parts from engine manufacturer dealer.

FRONT WHEEL BRACKET

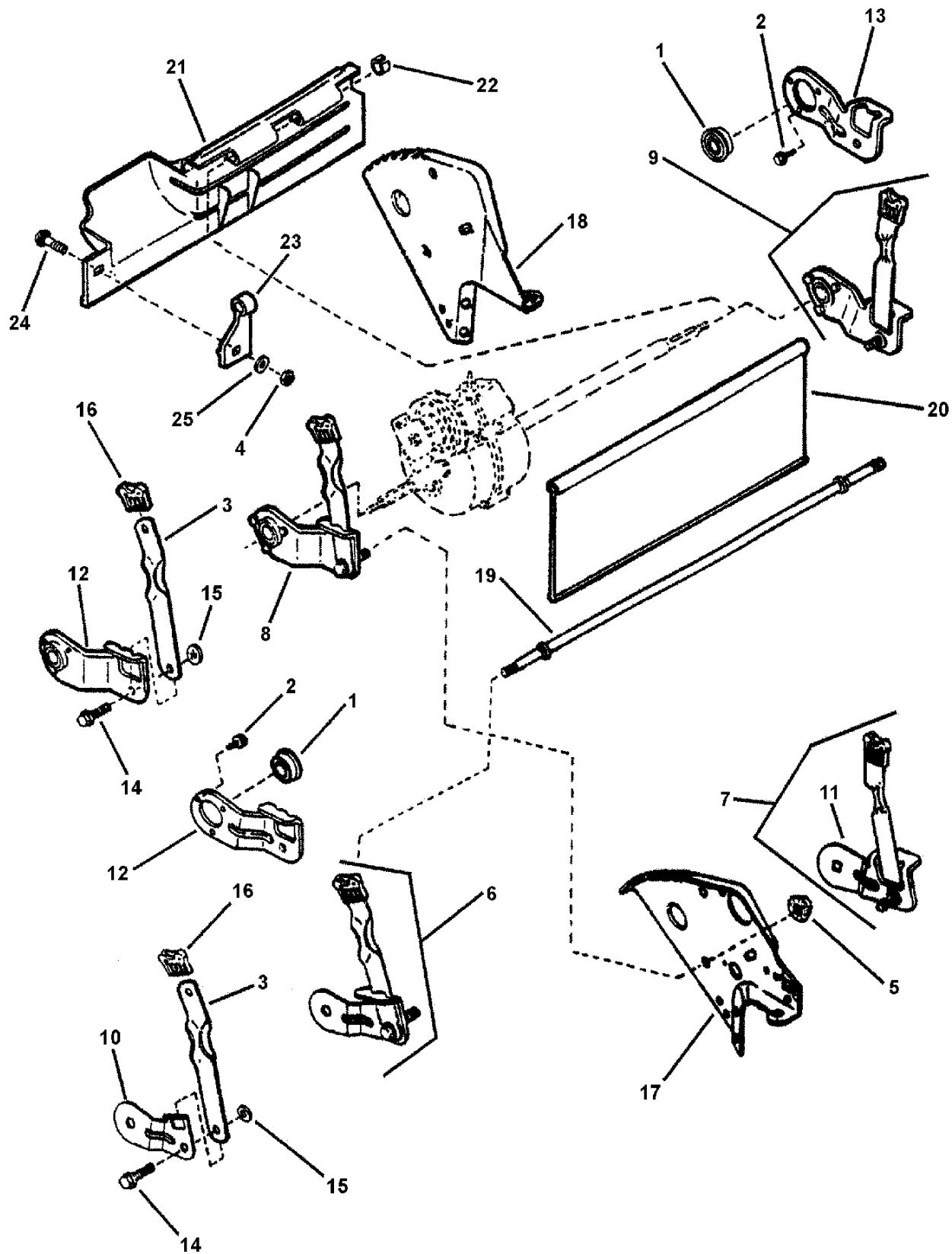


FRONT WHEEL BRACKET

Item	Part No	Qty	Description	Note
1	7051886	1	ASSEMBLY, Right Wheel Arm	<i>(Consists of items 2, 3, 4, 5A & 6)</i>
--	7051885	1	ASSEMBLY, Left Wheel Arm	<i>(Consists of items 2, 3, 4, 5B & 6)</i>
2	7015761	2	BOLT, 5/16-18 Hex Washer Face Shoulder	
3	7012325	2	LATCH, Height	
4	7027702	2	GRIP, Latch	
5A	7031017	1	ARM, Right Wheel (Round Hole)	
5B	7031016	1	ARM, Left Wheel (Square Hole)	<i>not shown</i>
6	7011791	2	RETAINER, 5/16" Bolt (Black)	
7	7091601	2	NUT, 5/16-18 Hex Flange Lock	<i>Was 91070</i>
8	7074702	1	WELDMENT, Front Wheel Bracket	<i>Was 41770</i>
--	7074702	1	WELDMENT, Front Wheel Bracket	<i>used on MR216517B & MRP216517B models</i>
9	7021119	1	AXLE	

Footnotes:

REAR WHEEL BRACKETS, LATCHES

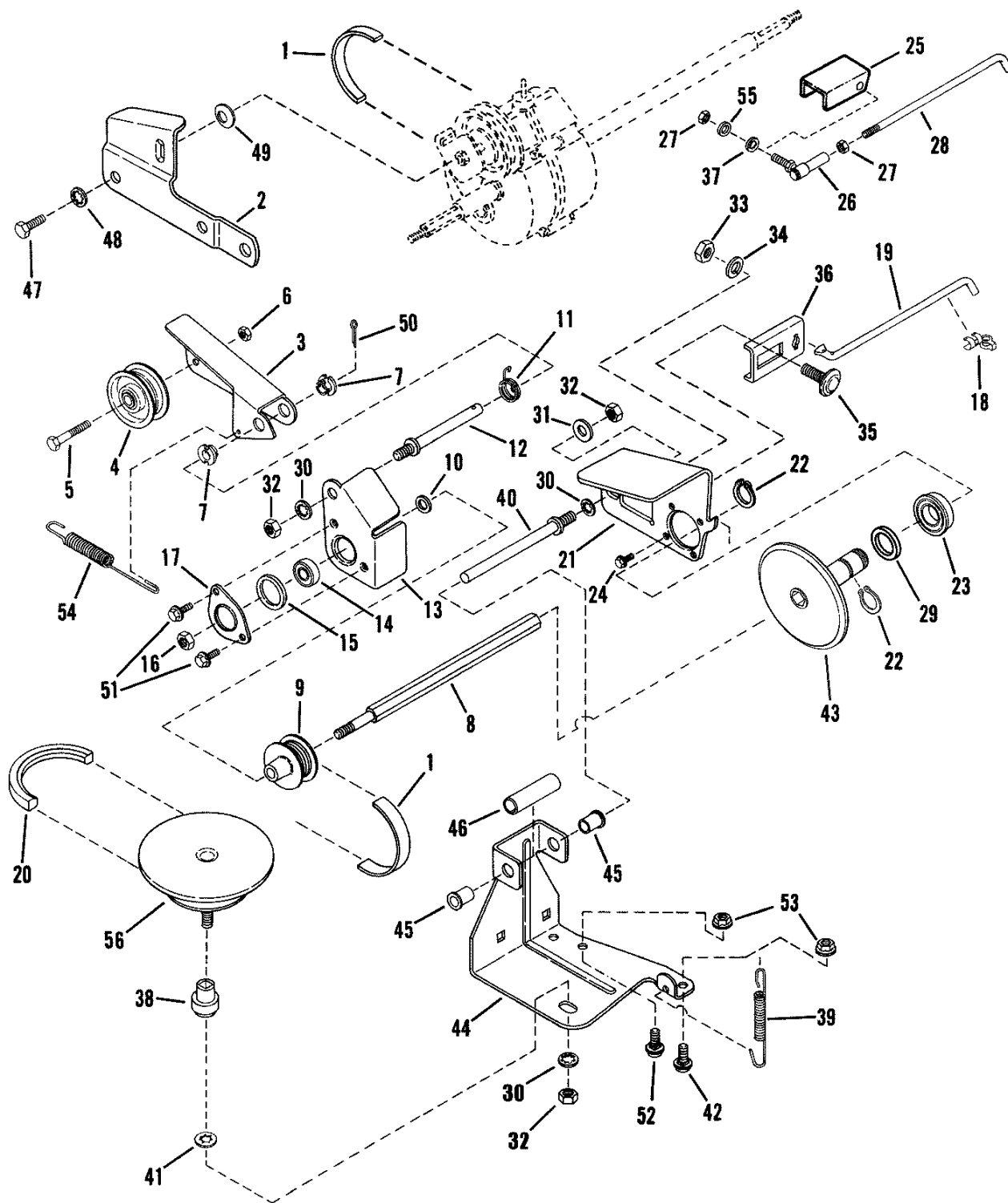


REAR WHEEL BRACKETS, LATCHES

Item	Part No	Qty	Description	Note
1	7012312	2	BALL BEARING, 9/16" I.D.	
1	7046983	2	BALL BEARING, 9/16" I.D. (Commercial)	Was 18767
2	7091012	3	SCREW, #10-32 x 3/8" Hex Washer Self-Tap	(Torx)
3	7035717	2	LATCH, Height Adjusting (Long)	
4	7091576	1	NUT, 1/4-20 Hex	Was 90063
5	7091601	6	NUT, 5/16-18 Hex Flange Lock, GR5	Was 91070
6	7054228	1	ASSEMBLY, Wheel Arm, Right Rear (Round hole)	used on Push models (Incl. items 3, 10, 14, 15 & 16)
7	7054229	1	ASSEMBLY, Wheel Arm, Left Rear (Square hole)	used on Push models (Incl. items 3, 11, 14, 15 & 16)
8	7054230	1	ASSEMBLY, Wheel Arm (Right Rear)	Was 54230 (Self-Propelled models)(Incl. 1, 2, 3, 12, 14, 15 & 16)
8	7054246	1	ASSEMBLY, Wheel Arm, Right Rear	Was 54224 (Commercial Models)(Includes 1B, 2, 3, 12, 14, 15, 16)
9	7054247	1	ASSEMBLY, Wheel Arm (Left Rear)	Was 54231 (Self-Propelled Models)(Includes 1, 2, 3, 13, 14, 15, & 16)
9	7054247	1	ASSEMBLY, Wheel Arm, Left Rear	Was 54225 (Commercial Models)(Includes 1B, 2, 3, 13, 14, 15, & 16)
10	7033776	1	ARM, Round Axle End, Right Rear (Round hole)	used on Push models
11	7033775	1	ARM, Square Axle End, Left Rear (Square hole)	used on Push models
12	7032722	1	ARM, Wheel, Right Rear	used on Self-Propelled models
13	7032723	1	ARM, Wheel, Left Rear	used on Self-Propelled models
14	7011078	2	BOLT, 5/16-18 x 1" Shoulder	
15	7011791	2	RETAINER, 5/16" Bolt	
16	7027702	2	GRIP, Latch	
17	7033494	1	BRACKET, Right Rear Wheel	
18	7033495	1	BRACKET, Left Rear Wheel	
19	7021119	1	AXLE	Rear axle on Push Models; Front axle on All Models
20	7035741	1	GUARD, Rear Foot	used on Push models
21	7029008	1	GUARD, Rear Foot	used on Self-Propelled models (except European)
21	7042918	1	GUARD, Rear Foot	used on Euro Self-Propelled models
22	7023791	1	RING, Split (Black)	used on Self-Propelled models
23	7012616	1	SUPPORT, Foot Guard	used on Self-Propelled models
24	7091604	1	BOLT, 1/4-20 x 1/2" Short Neck Carriage GR5	Was 90005 (used on Self-Propelled models)
25	7090053	1	WASHER, 1/4" Internal Tooth Lock	Was 91023

Footnotes:

DRIVE SYSTEM SELF-PROPELLED

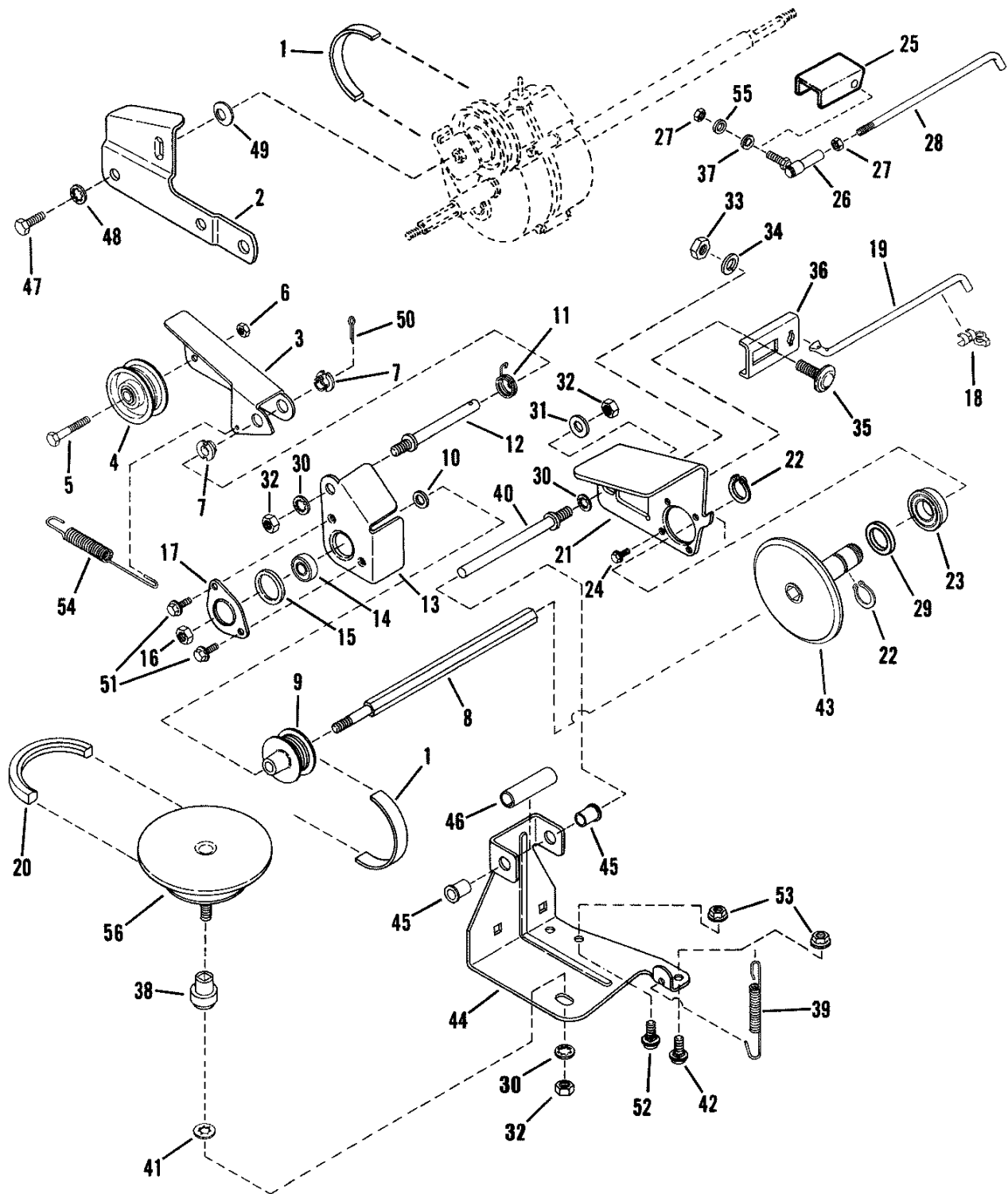


DRIVE SYSTEM SELF-PROPELLED

Item	Part No	Qty	Description	Note
1	7012354	1	BELT, Poly-Vee	
2	7034179	1	LINK, Differential	
--	7051921		ASSEMBLY, Clutch Idler	<i>(includes items 3 thru 7)</i>
3	7032832	1	ARM, Clutch Idler	
4	7012124	2	PULLEY, Idler	
5	7091025	1	SCREW, 1/4-28 x 1-3/8" Hex Head Cap GR5	
6	7090303	1	NUT, 1/4-28 Hex Top Lock	
7	7012117	2	BUSHING, 3/8" Plastic	
8	7072284	1	SHAFT, Hex Drive	
9	7024521	1	PULLEY, Poly-V, 2" O.D.	<i>Non Commercial Models</i>
10	7012316	1	WASHER, 3/8" Flat	
11	7012126	1	SPRING, Torsion	
12	7012111	1	STUD, Idler (3/8-24 thread)	
13	7031873	1	HOLDER, Bearing (Inner Half)	
14	7028014	1	BEARING, Ball, .38 I.D. Spherical O.D.	
15	7011025	1	O-RING	
16	7090289	1	NUT, 3/8-24 Hex Center Lock GR5 or B	
17	7031809	1	HOLDER, Bearing (Outer Half)	
18	7010937	1	CLIP, Transfer Rod 1/4"	
19	7023790	1	ROD, Transfer	<i>used on Non-Euro models</i>
--	7051698		ASSY., Transfer Rod (Incl. items 61, 62 & 63)	<i>used on Self-Propelled Euro</i>
20	7046784	1	BELT, Engine Drive 3L (Stretch)	<i>used on Self-Propelled</i>
--	7053225	1	ASSEMBLY, Driven Disc (Cantilever)	<i>used on Self-Propelled Euro</i>
21	7035477	1	PLATE, Thrust	
22	7010746	2	RING, 5/8" External Retaining	<i>used on Self-Propelled</i>
23	7026693	1	BALL BEARING, 3/4" I.D.	<i>used on Self-Propelled</i>
24	7090981	4	SCREW, #10-32 x 1/4" Self-Tap Machine	
25	7032664	1	SHIELD, Hex Shaft	<i>used on Self-Propelled Euro</i>
26	7015753		BALL JOINT, 1/4-28	<i>used on Self-Propelled Euro</i>
27	7090095	1	NUT, 1/4-28 Hex GR5	<i>used on Self-Propelled Euro</i>
28	7015752	1	LINK, Transfer	<i>used on Self-Propelled Euro</i>
29	7010121	1	WASHER, 3/4" Shim	
30	7090390	3	WASHER, 3/8" Internal Tooth Lock	
31	7090122	1	WASHER, 3/8" Flat	
32	7091630	3	NUT, 3/8-24 Hex, GR B	<i>Was 90155</i>
33	7091511	1	NUT, 5/16-18 Hex GR5 or B	<i>Was 90196 (continued on next page)</i>
34	7090187	1	WASHER, 5/16" Split Lock	

Footnotes:

DRIVE SYSTEM SELF-PROPELLED

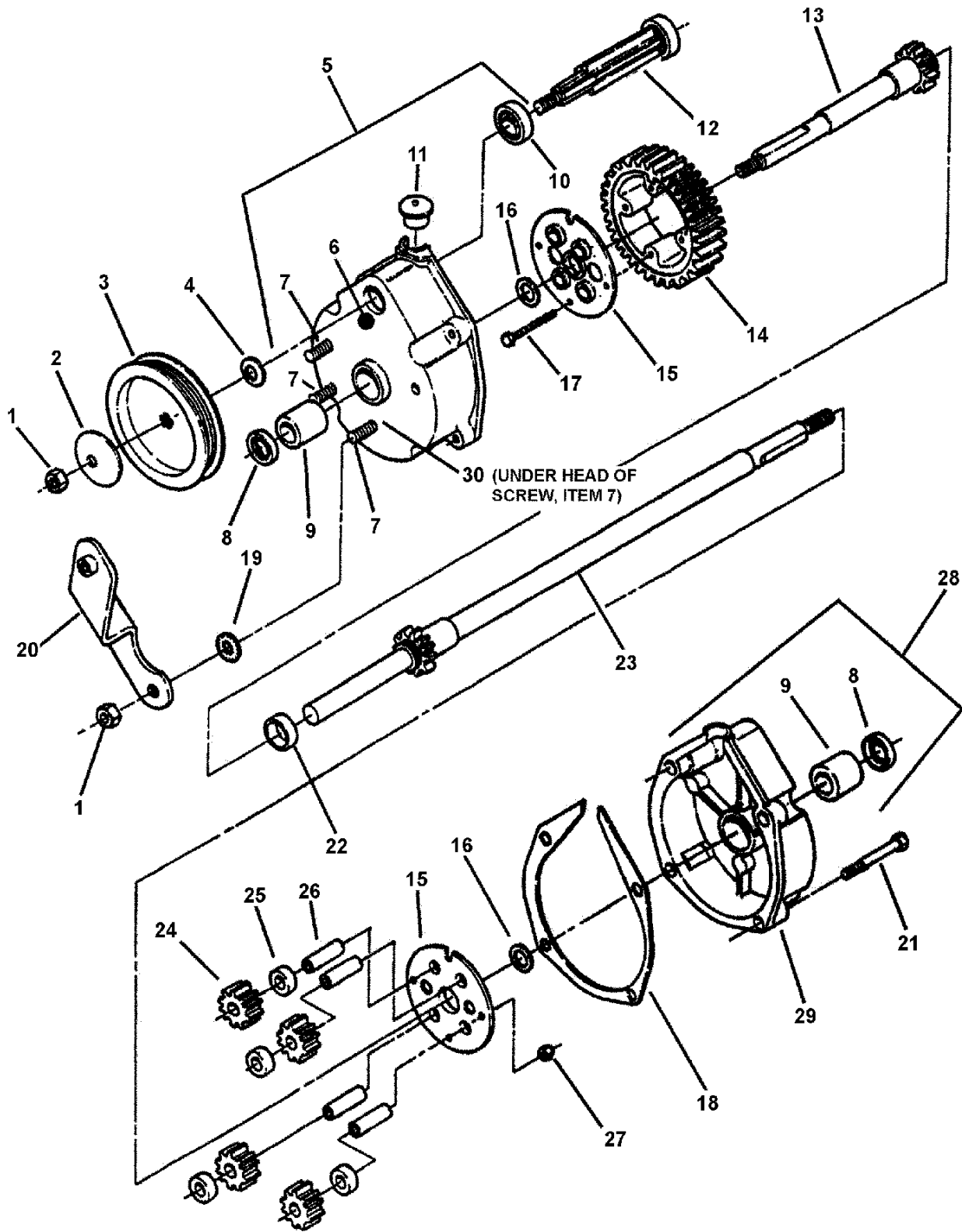


DRIVE SYSTEM SELF-PROPELLED

Item	Part No	Qty	Description	Note
35	7090316	1	BOLT, 5/16-18 x 3/4" Short Neck Carriage GR5	<i>Was 91097</i>
36	7032831	1	CONNECTOR, Transfer Rod	
37	7091294	1	WASHER, Flat 1/4" (European Models Only)	<i>used on Self-Propelled Euro</i>
38	7017696	1	BUSHING	
39	7029025	1	SPRING, Wheel Drive	
40	7012125	1	GUIDE, Thrust Plate (3/8-24 thread)	
41	7013847	1	RETAINER, 3/8" Bolt	
42	7090799	1	BOLT, 5/16-18 x 5/8" Short Neck Carriage GR5	<i>Was 91026</i>
43	7041855	1	DISC, Driven (Cantilever)	
--	7059462	1	ASSY, Deck Bracket (Includes items 44 & 45)	
44	7033774	1	BRACKET, Deck	<i>Was 31919 (Now 17696 + 33774)</i>
45	7012117	2	BUSHING, Flange	
46	7021758	1	SPACER	<i>used on Commercial models</i>
47	7090534	1	SCREW, 5/16-18 x 1/2" Hex Head Cap, GR5	
48	7090391	1	WASHER, 5/16" Internal Tooth Lock	
49	7011724	1	WASHER, Spring	
50	7091597	1	PIN, 3/32 x 1/2" Cotter	<i>Was 90555</i>
51	7091122	2	SCREW, 1/4-20 x 1/2" Hex Washer Self-Tap	<i>Was 90539</i>
52	7090731	3	BOLT, 5/16-18 x 1/2" Short Neck Carriage GR5	
53	7091601	2	NUT, 5/16-18 Hex Flange Lock, GR5	<i>Was 91070</i>
54	7012122	1	SPRING, Clutch	
55	7090053	1	WASHER, 1/4" Internal Tooth Lock	<i>used on Self-Propelled Euro</i>
56	7061275		KIT, Drive Disc Assembly	

Footnotes:

TRANSMISSION (DIFFERENTIAL)



TRANSMISSION (DIFFERENTIAL)

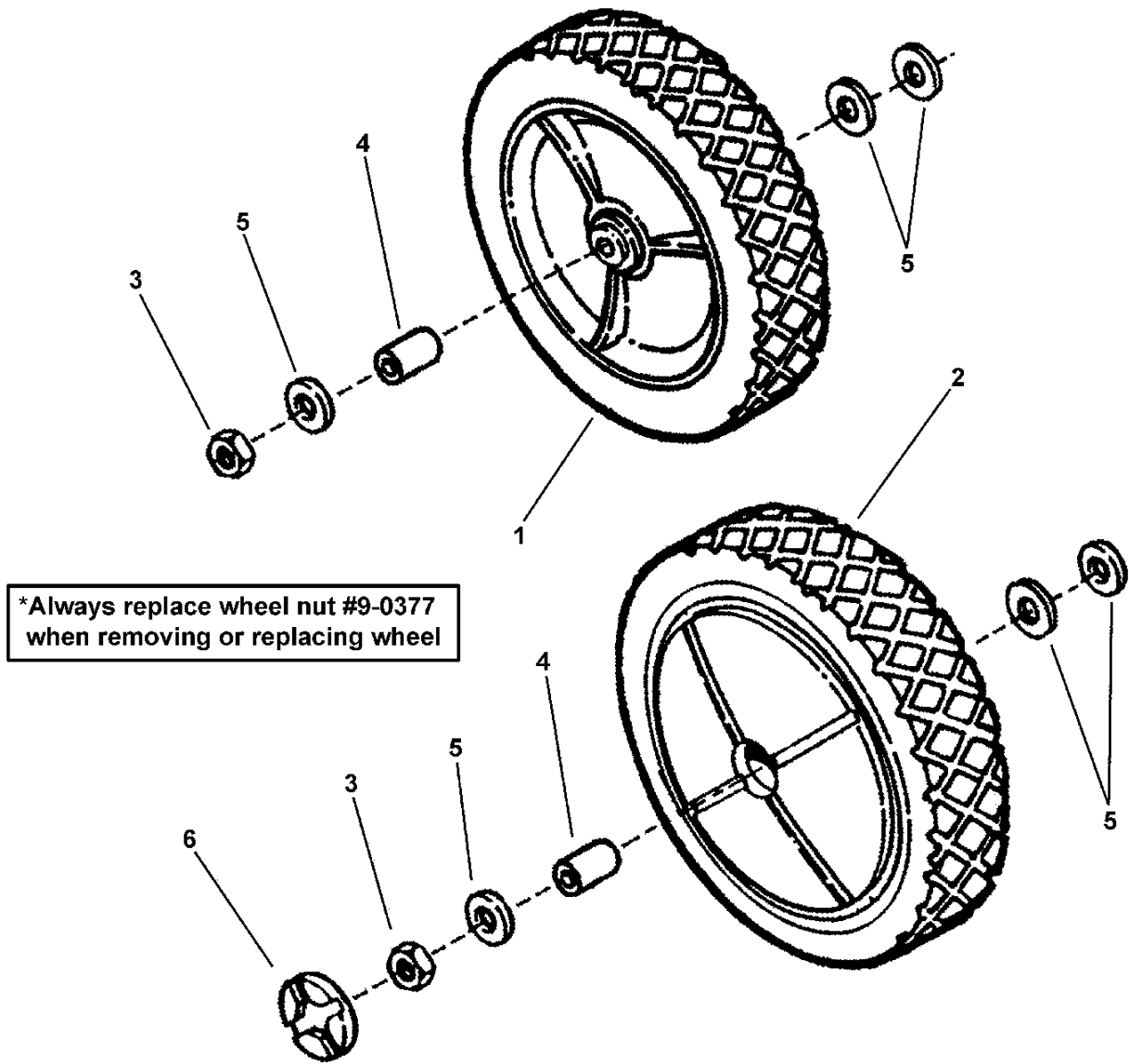
Item	Part No	Qty	Description	Note
--	7059070	1	ASSEMBLY, Transmission	Was 53945 (Includes 1 thru 30)
1	7092062	1	NUT, 5/16-24 Hex Lock, GR C	Was 11201
2	7092063	1	WASHER, Cone	
3	7019213	1	PULLEY, Poly-Vee Belt	
4	7011724	2	WASHER, Spring	only 1 shown
5	7053942	1	ASSEMBLY, Right Housing	(Includes items 6, 7, 8, 9, 10 & 30)
6	7029034	1	HOUSING, Right Side	
7	7014155	3	SCREW, 5/16-24 x 1-1/8" Rib Neck, GR5	
8	7012314	2	SEAL, 5/8" Internal Dia.	
9	7029035	2	BEARING, Tapered- (Differential Housing)	
10	7073963	1	BEARING, Ball, .437 I.D. x 1.125 O.D. x .375 Thk.	Was 11767
11	7016544	1	PLUG, Housing	
12	7050767	1	GEAR, Input	
13	7050830	1	AXLE, Short	
14	7012495	1	GEAR, Differential (46 tooth)	
15	7031970	2	PLATE, 46T Gear	
16	7031965	2	WASHER, Thrust, 3/4" I.D.	
17	7090557	4	SCREW, #10-32 x 1-1/2" Hex Head Cap GR5	only 1 shown
18	7011774	1	GASKET, Housing	
19	7090189	3	WASHER, 5/16" Internal/External Tooth Lock	only 1 shown
20	7051903	1	BRACKET, Differential	
21	7091825	4	SCREW, 1/4-20 x 1-1/4" Hex Washer Self-Tap	only 1 shown
22	7012543	1	SPACER, Axle Gear	
23	7050831	1	AXLE, Long	
24	7021115	4	GEAR, Pinion (12 tooth)	
25	7012500	4	SPACER, Pinion Gear	
26	7011110	4	SHAFT, Pinion	
27	7090376	4	NUT, #10-32 Hex Nyloc	only 1 shown
28	7053939	1	ASSEMBLY, Left Housing	(Includes items 8, 9 & 29)
29	7029033	1	HOUSING, Left	
30	7024442	3	GASKET, 5/8" O. D.	
--	7061017		"OO" Grease (32 oz.)	

Footnotes:

DO NOT OVERFILL Transmission!

NOTE: Maximum capacity of transmission case is 4 oz.

FRONT WHEELS



FRONT WHEELS

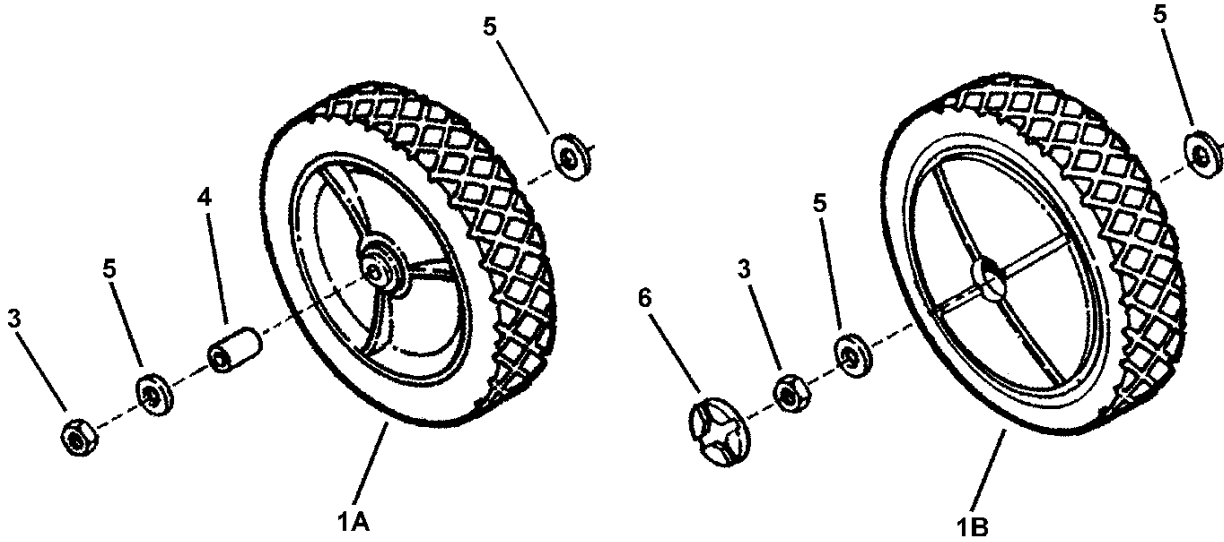
Item	Part No	Qty	Description	Note
1	7022374	2	WHEEL, 8 x 1.75 Plastic	<i>used on 2002 Model Year and Earlier</i>
2	7029010	2	WHEEL, 8 x 1.75 Plastic	<i>used on 2003 Model Year and Later</i>
3	7090377	2	NUT, 7/16-20 Hex Center Lock Jam	
4	7012309	2	BUSHING, Axle	
5	7031961	6	WASHER, 7/16 x 1" O.D. Flat	<i>Qty. of (2) for Push; Qty. of (1) for Self-Propelled Models</i>
6	7017829	2	PLUG, Wheel	

Footnotes:

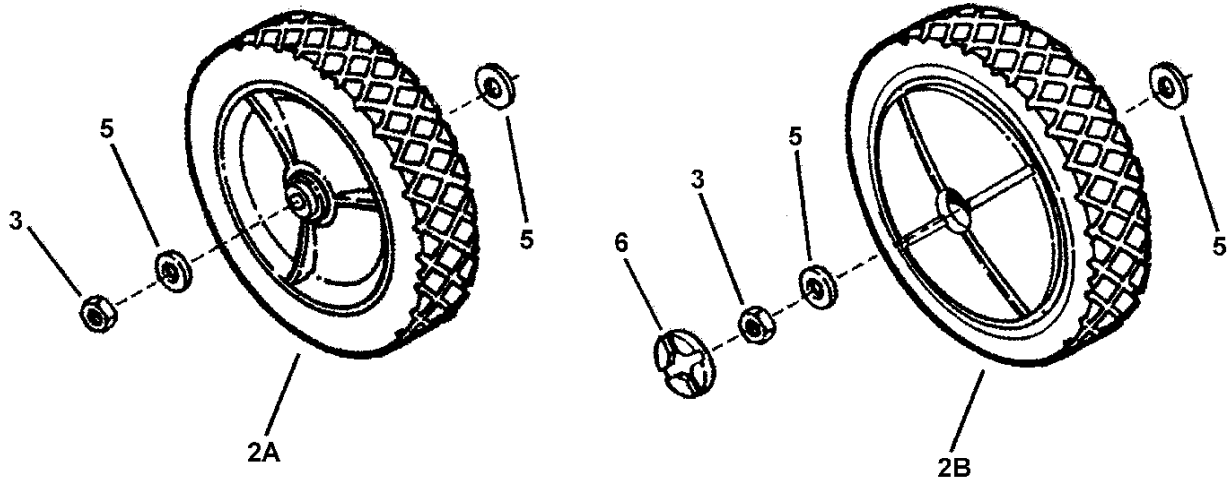
Always replace wheel nut # 90377 when removing or replacing wheel.

REAR WHEELS

PUSH MODELS



SELF-PROPELLED MODELS

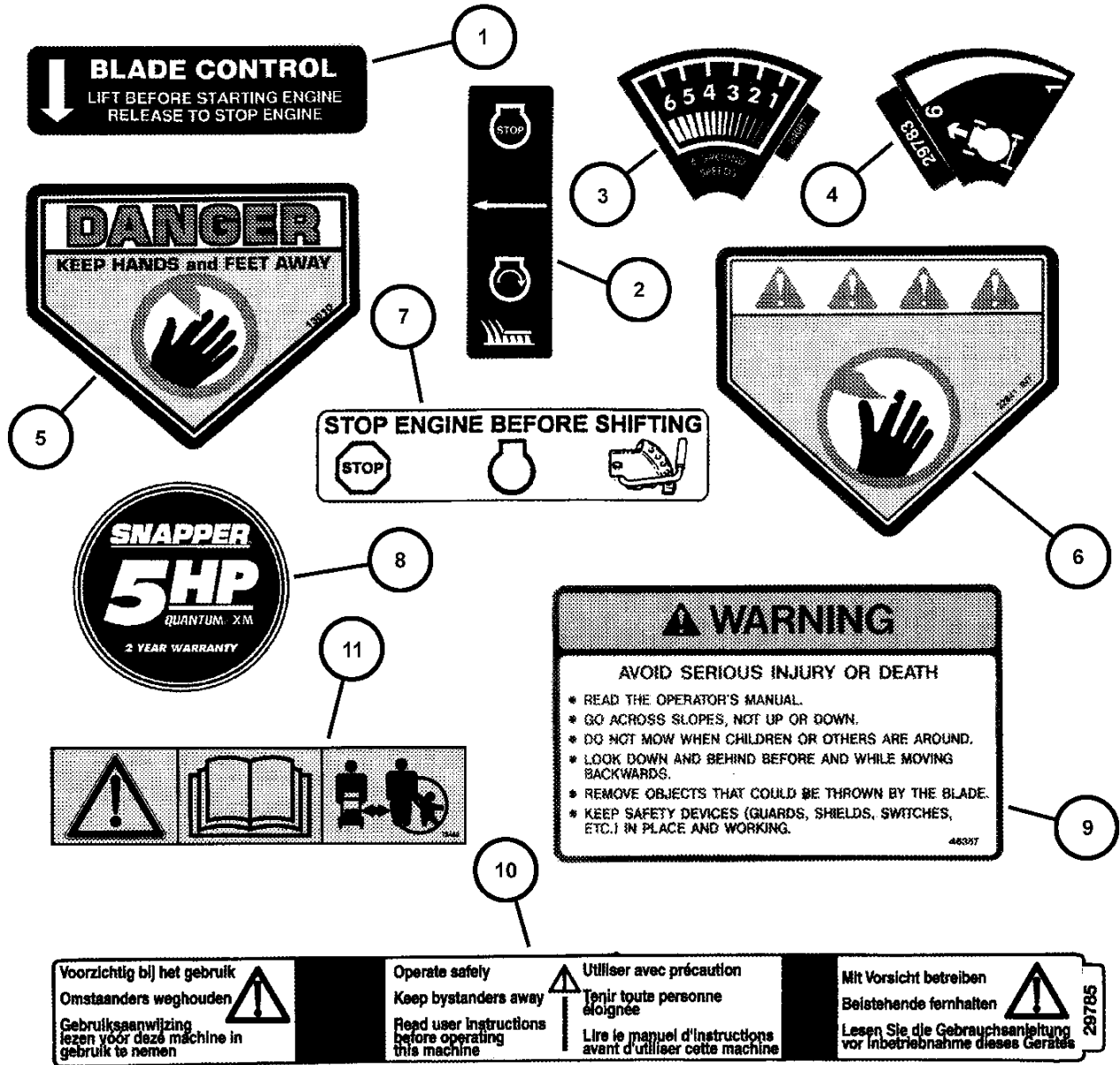


REAR WHEELS

Item	Part No	Qty	Description	Note
1A	7035739	2	WHEEL, 10 x 1.75" Plastic (Push Models)	<i>used on 2002 Model Year and Earlier</i>
1B	7074924	2	WHEEL, 10 x 1.75" Plastic (Push Models)	<i>used on 2003 Model Year and Later</i>
2A	7035740	2	WHEEL, 10 x 1.75" Plastic (Self-Propelled Models)	<i>used on 2002 Model Year and Earlier</i>
2B	7029011	2	WHEEL, 10 x 1.75" Plastic (Self-Propelled Models)	<i>used on 2003 Model Year and Later</i>
3	7090377	2	NUT, 7/16-20 Hex Center Lock Jam	
4	7012309	2	BUSHING, Axle	
5	7031961	4	WASHER, 7/16 x 1" O.D. Flat	
6	7017829	2	PLUG, Wheel	

Footnotes:

Always replace wheel nut # 90377 when removing or replacing wheel.



DECALS

Item	Part No	Qty	Description	Note
1	7024211	1	DECAL, Blade Control	
2	7029782	1	DECAL, Blade Control (Euro)	
3	7024087	1	DECAL, Speed Select	<i>used on Self-Propelled models</i>
4	7029783	1	DECAL, Speed Select (Euro)	<i>used on Self-Propelled models</i>
5	7013010	1	DECAL, Danger, Cut Finger	
6	7022841	1	DECAL, Warning (Euro)	
7	7041942	1	DECAL, Shift Warning	<i>used on Self-Propelled models</i>
8	7029657	1	DECAL, SNAPPER, 3.87 Dia. (Push)	
9	7046357	1	DECAL, Warning	
10	7029785	1	DECAL, Operator Safety	
11	7073462	1	DECAL, Caution Symbols	

Footnotes:



DECALS (Continued)

Item	Part No	Qty	Description	Note
12	7046714	1	DECAL, SNAPPER (Deck)	<i>silver letters, black background</i>
13	7029713	1	DECAL, SNAPPER	<i>silver letters, black background</i>
14	7029776	1	DECAL, Euro Community (CE)	
15	7074386	1	DECAL, SNAPPER (Commercial)	<i>gold letters/red border/black background</i>
--	7075618	1	DECAL, SNAPPER	<i>gray letters/red border/black background</i>
16	7029779	1	DECAL, Spark Plug International Symbol	
17	7028440	1	DECAL, Deck Warning	
--	7072921	1	DECAL, Deck Warning	<i>used on EMRP216017B (similar to 28440)</i>
18	7075619	1	DECAL, Ninja	

Footnotes:

19

This Product may be covered by one or more of the following patents:		
4,158,279	4,164,112	
4,189,903	4,248,034	4,300,332
4,430,848	4,498,552	4,756,146
4,920,733	4,936,886	4,984,479
4,989,400	5,042,241	5,066,146
5,146,735	5,195,308	5,199,251
5,297,379	5,303,534	5,353,578
5,353,581	5,488,818	5,511,367
5,526,635	0358,400	5,601,512
Other Patents Pending:		29470



29784

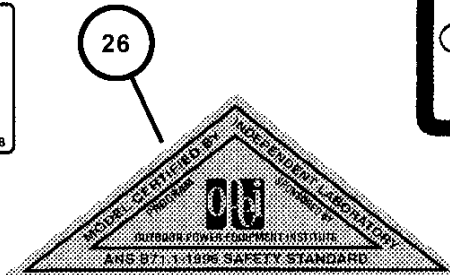
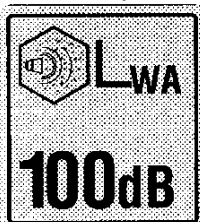
22

25

De machine niet gebruiken zonder de grasopvangzak of de beschermkap
 Do not operate without entire Grass Catcher or Guard in place
 Ne pas utiliser sans le bac de ramassage ou la projection en place
 Betreiben Sie dieses Gerät nicht ohne Grasfangkorb oder Abdeckschutz
 No manejar la máquina sin el recogedor o el protector en su lugar
 Non utilizzar senza il Raccogliitore dell'Erba o senza Protezione

24

WARNING
GUARD OR ENTIRE GRASS CATCHER MUST BE INSTALLED BEFORE OPERATING MOWER
 46720



27

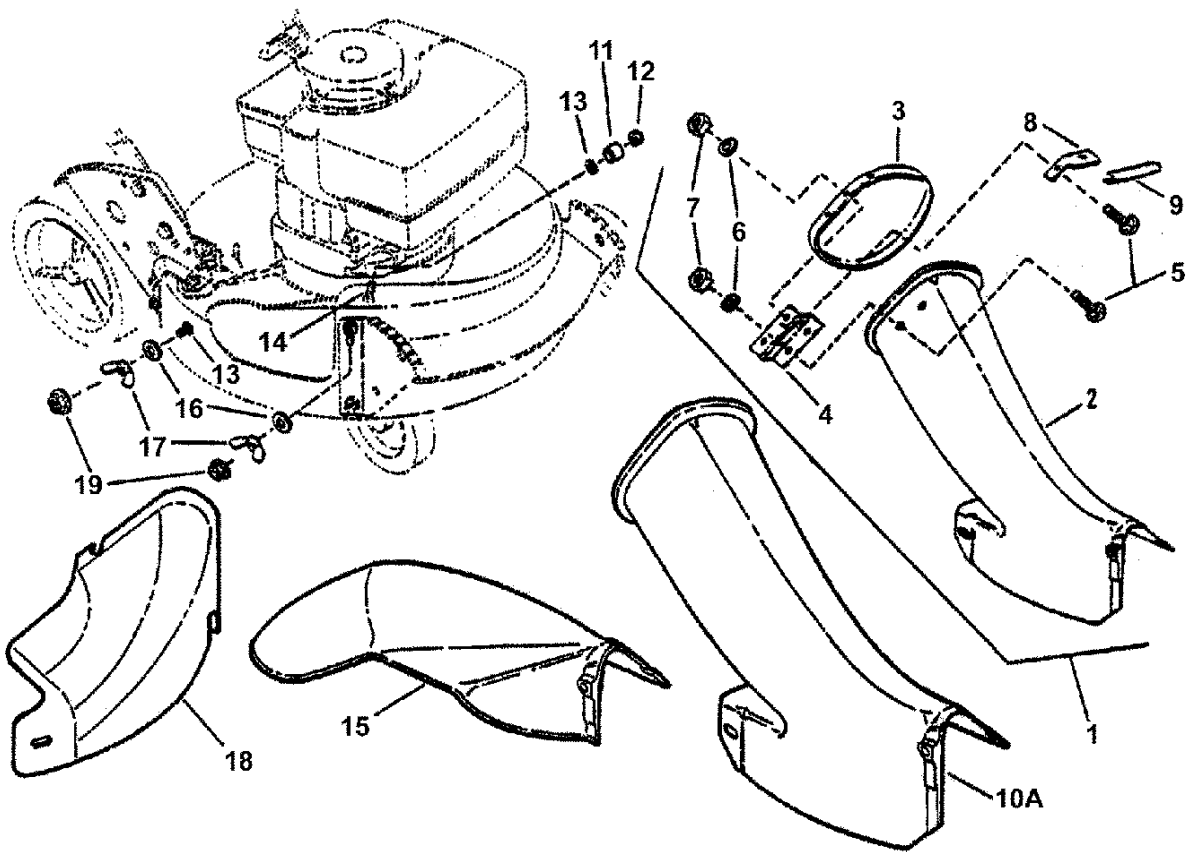
CAUTION
 IF BATTERY IS REMOVED, DO NOT OPERATE ENGINE WITHOUT INSULATING POS+ BATTERY CABLE TERMINAL WITH ELECTRICAL TAPE, OR SPARKING FROM BATTERY CABLES CAN RESULT.

DECALS (Cont.)

Item	Part No	Qty	Description	Note
19	7029470	1	DECAL, Patent Numbers	
20	7029780	1	DECAL, Primer (European)	
21	7029781	1	DECAL, Air Filter (European)	
22	7029784	1	DECAL, Deck/Chute (European)	
23	7075378	1	DECAL, 2003 Year of Manufacture	<i>shown</i>
--	7074548	1	DECAL, 2002 Year of Manufacture	
--	7073433	1	DECAL, 2001 Year of Manufacture	<i>used on EMRP216017B</i>
24	7046720	1	DECAL, Chute/Deflector Warning	
25	7074135	1	DECAL, Noise (European)	
26	7073335	1	DECAL, OPEI	
27	7016134	1	DECAL, Caution Tag	<i>not used in 2003 model year</i>

Footnotes:

SIDE CHUTE, ADAPTER



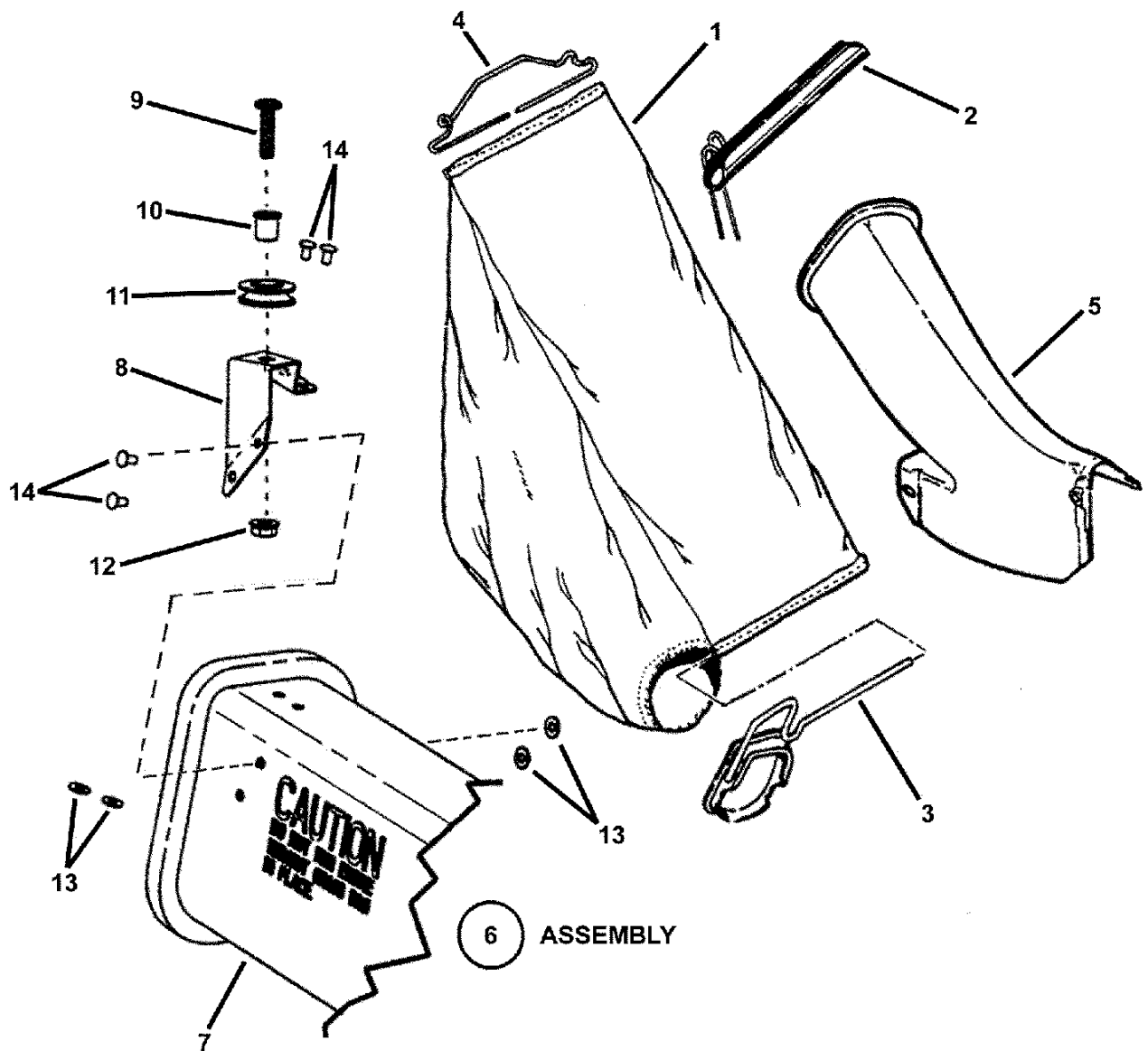
SIDE CHUTE, ADAPTER

Item	Part No	Qty	Description	Note
1	7051951		ASSEMBLY, Bag Adapter & Cover	<i>Includes items 2 thru 9; used on European Models Only</i>
2	7016107	1	ADAPTER, Grass Bag	
3	7019287	1	COVER, Bag Adapter	
4	7023000	1	HINGE, Chute Cover	
5	7091064	5	BOLT, 1/4-20 x 1/2" Short Neck Carriage GR5	
6	7090053	5	WASHER, 1/4" Internal Tooth Lock	<i>Was 91023</i>
7	7091576	5	NUT, 1/4-20 Hex	<i>Was 91100</i>
8	7032661	1	STOP, Cover	
9	7023042	1	MOLDING, Trim	
10A	7016050	1	ADAPTER, Grass Bag	
10B	7058037		ASSEMBLY, Grass Bag Adapter	
11	7024340	1	SPACER, .316 I.D. x .375 O.D. x .310 thick	
12	7090951	1	NUT, 5/16-18 Hex Large Flange Center Lock	
13	7011791	1	RETAINER, 5/16" Bolt	
14	7091508	1	BOLT, 5/16-18 x 3/4" Short Neck Carriage GR5	<i>Was 90001</i>
15	7042965	1	CHUTE, Side	
16	7090122	2	WASHER, 3/8" Flat	<i>Was 91514</i>
17	7024085	2	WING-NUT, 5/16-18 Nyloc	
18	7029149	1	COVER, 21" Deck	
19	7090951	2	NUT, 5/16-18 Hex Large Flange Center Lock	

Footnotes:

NOTE: For Grass Catcher Components see Grass Bag page.

GRASS BAG ACCESSORY

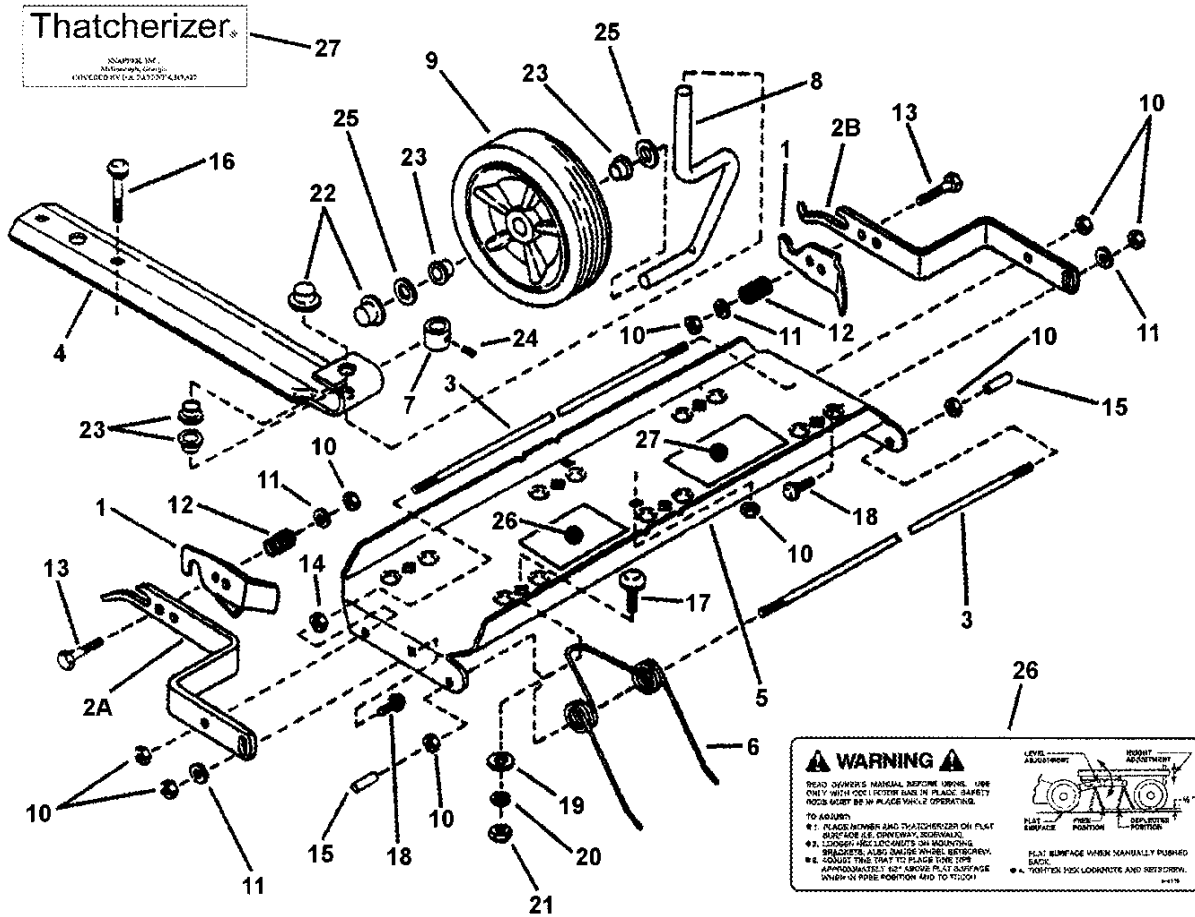


GRASS BAG ACCESSORY

Item	Part No	Qty	Description	Note
--	7060791		KIT, Grass Bag Catcher	<i>(Includes items 1 thru 5)</i>
1	7074734	1	GRASS BAG, Slider Type (Black)	
2	7050711	1	ASSEMBLY, Slider	
3	7042489	1	CONNECTOR, Grass Bag (weldment)	
4	7019247	1	WIRE, Bag Adapter	
5	7016050	1	ADAPTER, Bag	
6	7058037	1	ASSEMBLY, Grass Bag Adapter	<i>(Includes items 7 thru 14)</i>
7	7047081	1	ADAPTER, Bag	
8	7047082	1	BRACKET, Rope Pulley	
9	7091984	1	SCREW, 5/16-18 x 1-1/4" Pan Head Machine	
10	7012306	1	BUSHING, Flange	
11	7024228	1	PULLEY, Plastic	
12	7091601	1	NUT, 5/16-18 Hex Flange Lock GR5	<i>Was 91070</i>
13	7072107	2	WASHER, 15/32" Flat	
14	7013860	4	RIVET, 3/16 x .344	

Footnotes:

THATCHERIZER ACCESSORY



THATCHERIZER ACCESSORY

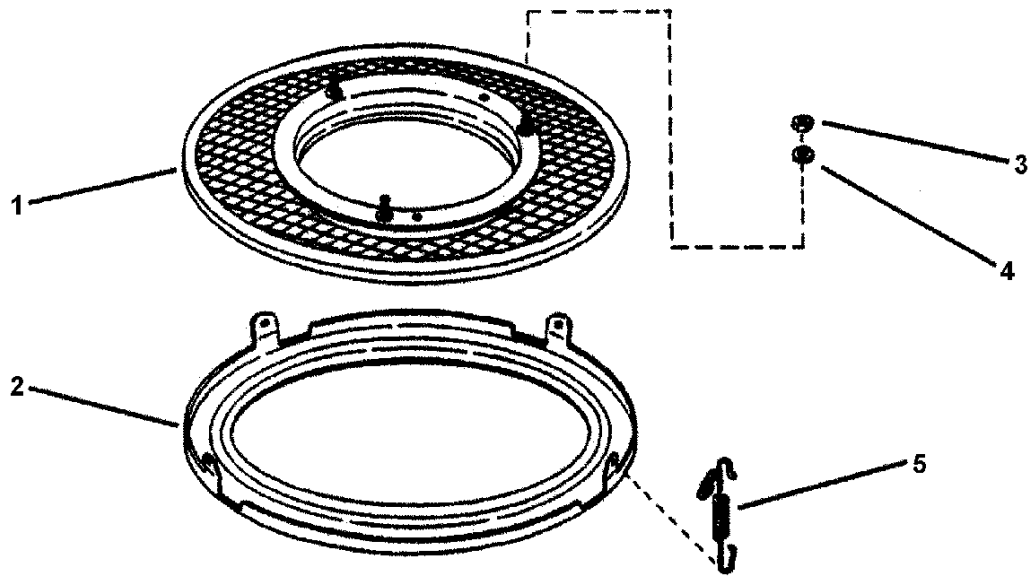
Item	Part No	Qty	Description	Note
--	7061256		KIT, Thatcherizer (Includes items listed below)	<i>Recommended for propelled models only.</i>
1	7032891	2	** LATCH, Frame Attachment	
2A	7026572	1	BAR, Mount (Right Hand)	
2B	7026573	1	BAR, Mount (Left Hand)	
3	7018499	2	ROD, Tine	
4	7018700	1	SUPPORT, Wheel	
5	7019948	1	TRAY, Tine	
6	7018496	6	KIT, Tine Thatching Spring	<i>Was 60574</i>
7	7014100	1	** BUSHING, Wheel Adjuster	
8	7018493	1	** AXLE, Wheel	
9	7018189	1	WHEEL, 7.00 x 1.50 Gage	
10	7091705	10	* NUT, 1/4-20 Hex Top Lock	<i>Was 90761, only 9 shown</i>
11	7091294	4	* WASHER, 1/4" Flat	<i>Was 90055</i>
12	7022425	2	** SPRING, Compression	
13	7090825	2	* BOLT, 1/4-20 x 1-1/4" Hex, GR 5	
14	7091576	2	* NUT, 1/4-20 Hex, GR 5	<i>Was 90063</i>
15	7022424	2	** CAP, Vinyl	
16	7090015	2	* BOLT, 1/4-20 x 2-1/2" Square Neck Carriage	<i>only 1 shown</i>
17	7091303	6	* BOLT, 5/16-18 x 1" Square Neck Carriage, GR 5	<i>Was 90383, only 1 shown</i>
18	7091530	2	* BOLT, 1/4-20 x 3/4" Square Neck Carriage, GR 5	<i>Was 90074</i>
19	7014098	6	* WASHER, Reinforcing (.343 I.D.)	<i>only 1 shown</i>
20	7090187	6	* WASHER, 5/16" Split Lock	<i>only 1 shown</i>
21	7091511	6	* NUT, 5/16-18 Hex, GR 5	<i>Was 90196, only 1 shown</i>
22	7014101	2	** NUT, 1/2" Push	
23	7014342	4	** BEARING, Nylon	
24	7014103	1	** SET SCREW, 5/16-18 x 1/4"	<i>slotted headless cup point</i>
25	7090250	2	WASHER, 1/2" Flat	
26	7014115	1	DECAL, Adjustment	
27	7014062	1	DECAL, Thatcherizer	
--	7060554	1	HARDWARE BAG, Thatcherizer 21" (Std.)	<i>Not shown</i>
--	7060555	1	HARDWARE BAG, Thatcherizer 21" (Special)	<i>Not shown</i>
--	26700	1	MANUAL, Operator's (61256)	<i>Not shown</i>

Footnotes:

* Included in Hardware Bag # 60554

** Included in Hardware Bag # 60555

SNAPPERIZER ACCESSORY



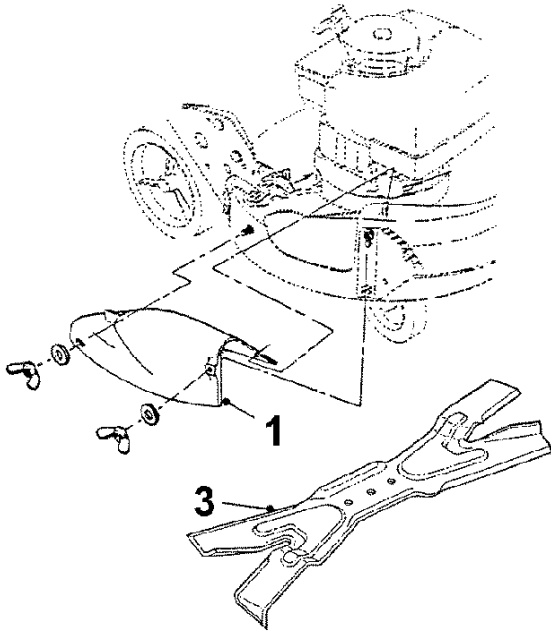
SNAPPERIZER ACCESSORY

Item	Part No	Qty	Description	Note
--	7063041		KIT, Snapperizer (Incl. items 1 thru 5)	
1	7051243	1	SCREEN, Fastener Assembly	
2	7072002	1	RING, Bottom	
3	7091297	3	NUT, 5/16-24 Hex, GR5	<i>Was 90223, only 1 shown</i>
4	7090187	3	WASHER, 5/16" Split Lock	<i>only 1 shown</i>
5	7012587	3	SPRING	<i>only 1 shown</i>

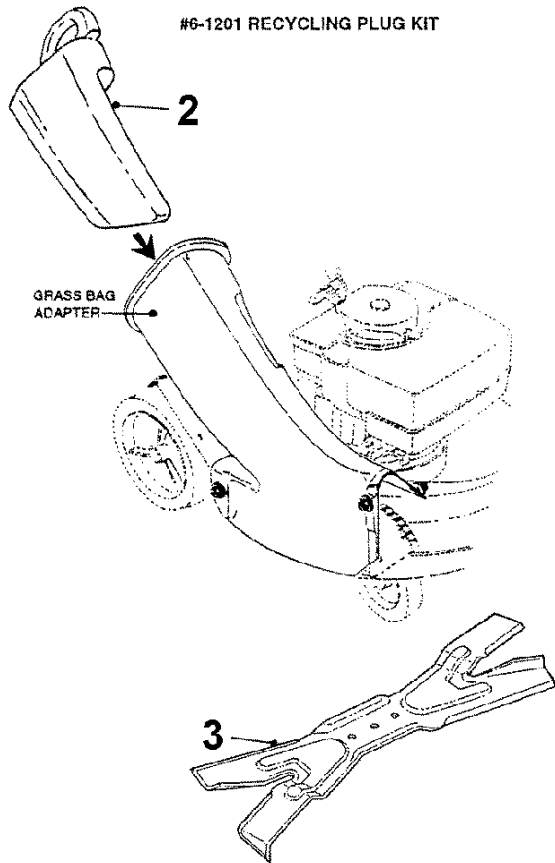
Footnotes:

RECYCLING KITS ACCESSORY

#6-1200 RECYCLING COVER KIT



#6-1201 RECYCLING PLUG KIT



RECYCLING KITS ACCESSORY

Item	Part No	Qty	Description	Note
--	7061200		KIT, Recycling Cover (Incl. items 1 & 2 below)	<i>for 4HP & above engines</i>
--	7061201		KIT, Recycling Plug (Incl. items 1 & 2 below)	<i>for 4HP & above engines</i>
1	7029149	1	COVER, 21" Deck	
2	7016814	1	PLUG, Chute Adapter	
3	7026407	1	BLADE, 21" Quad Edge Ninja	

Footnotes:

Parts Manual for

SNAPPER[®]

21" STEEL DECK WALK BEHIND MOWER "MR" SERIES 17

IT IS THE POLICY OF BRIGGS & STRATTON CORP TO IMPROVE ITS PRODUCTS WHENEVER IT IS POSSIBLE AND PRACTICAL TO DO SO. WE RESERVE THE RIGHT TO MAKE CHANGES OR ADD IMPROVEMENTS AT ANY TIME WITHOUT INCURRING ANY OBLIGATION TO MAKE SUCH CHANGES ON PRODUCTS

SNAPPER[®] McDonough, GA, 30253 U.S.A.