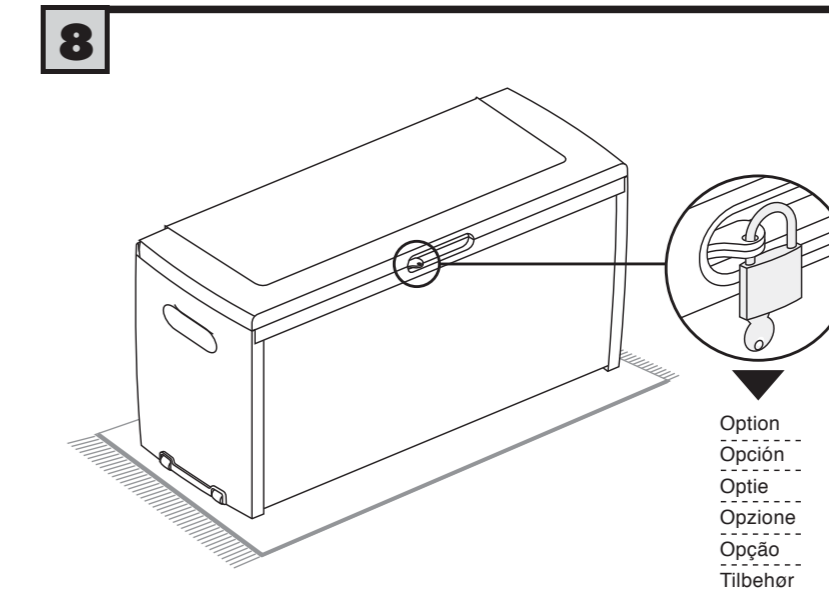
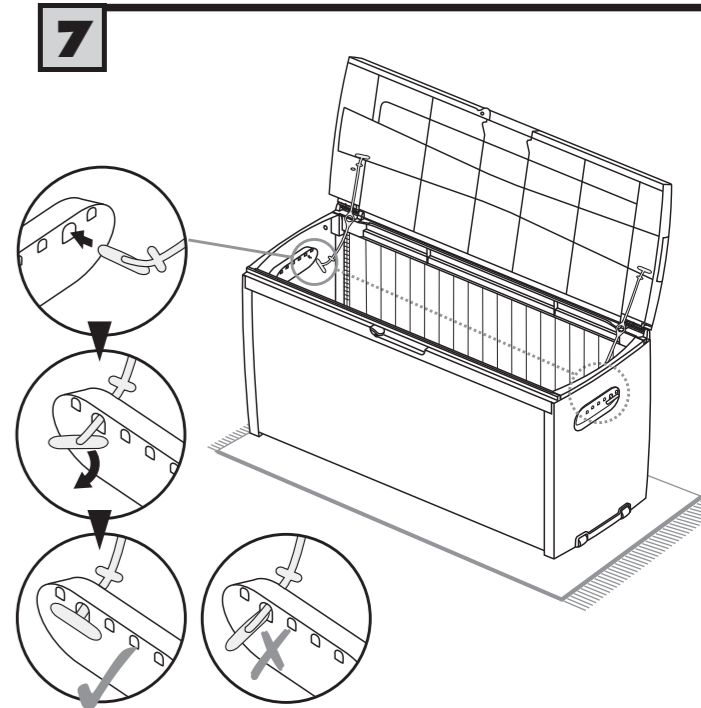
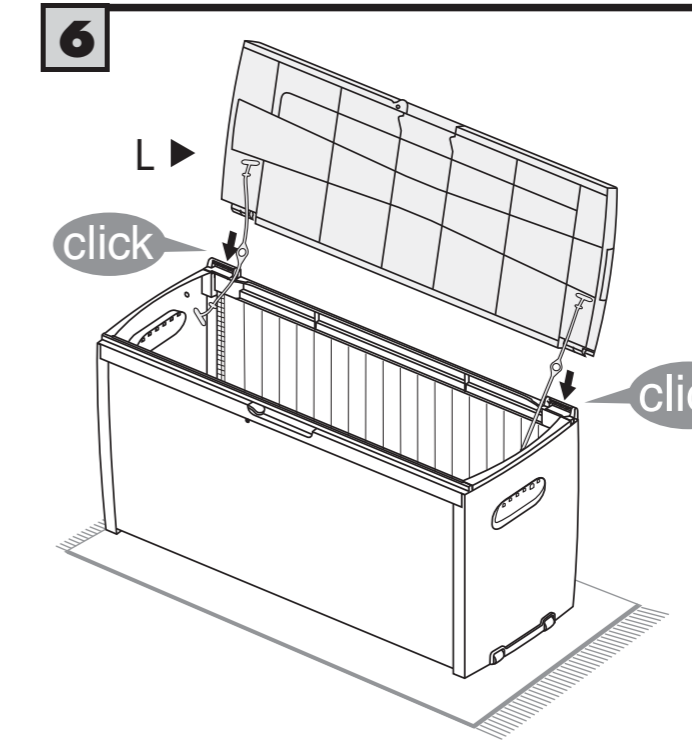
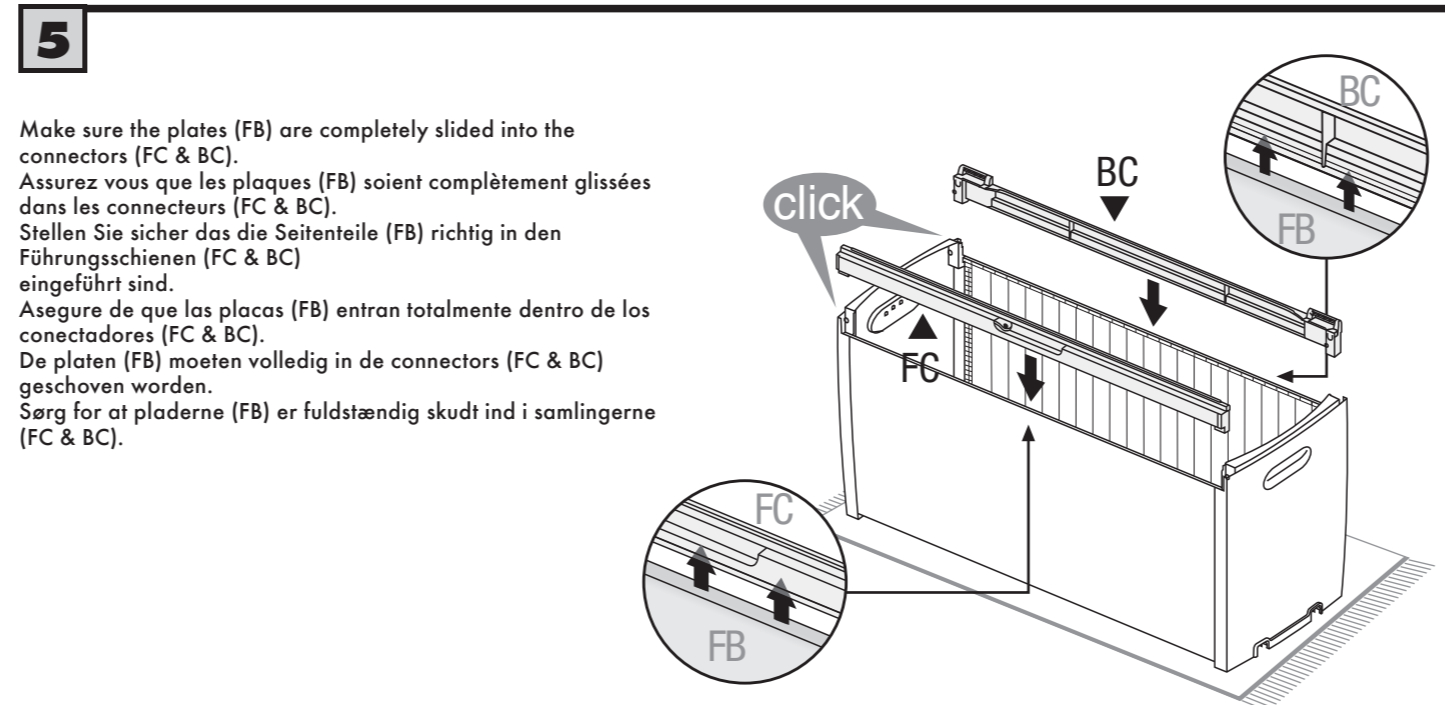
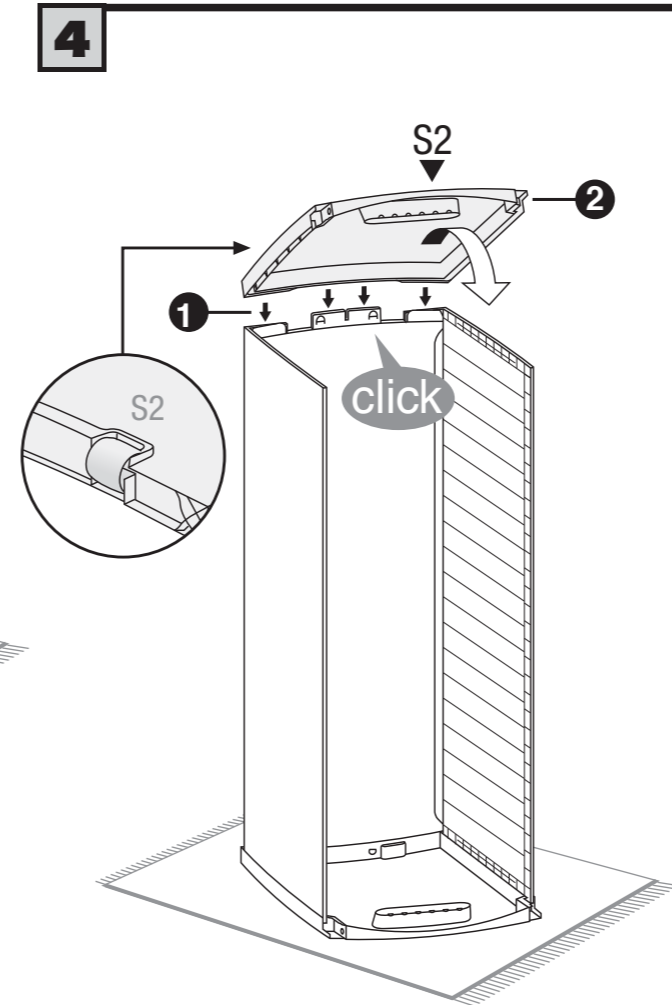
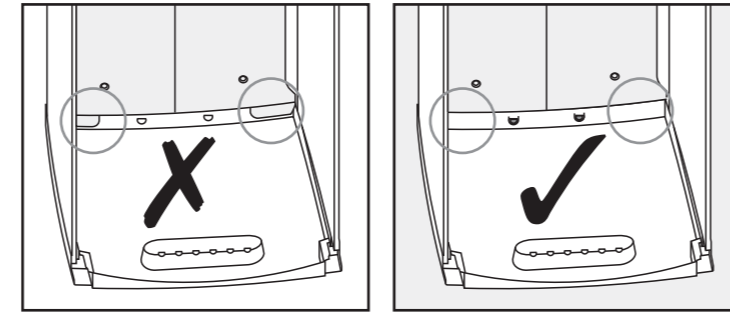
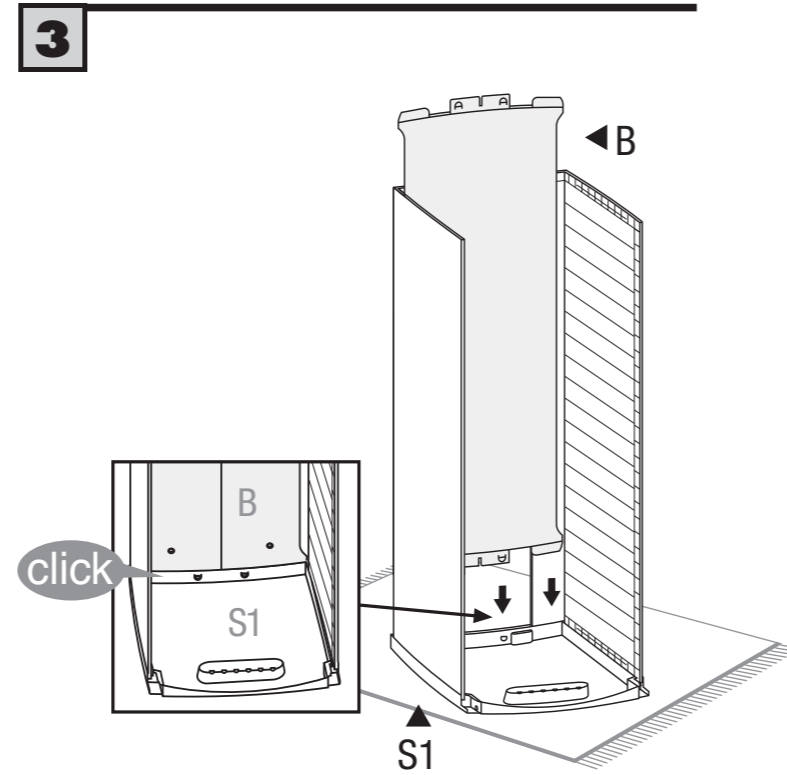
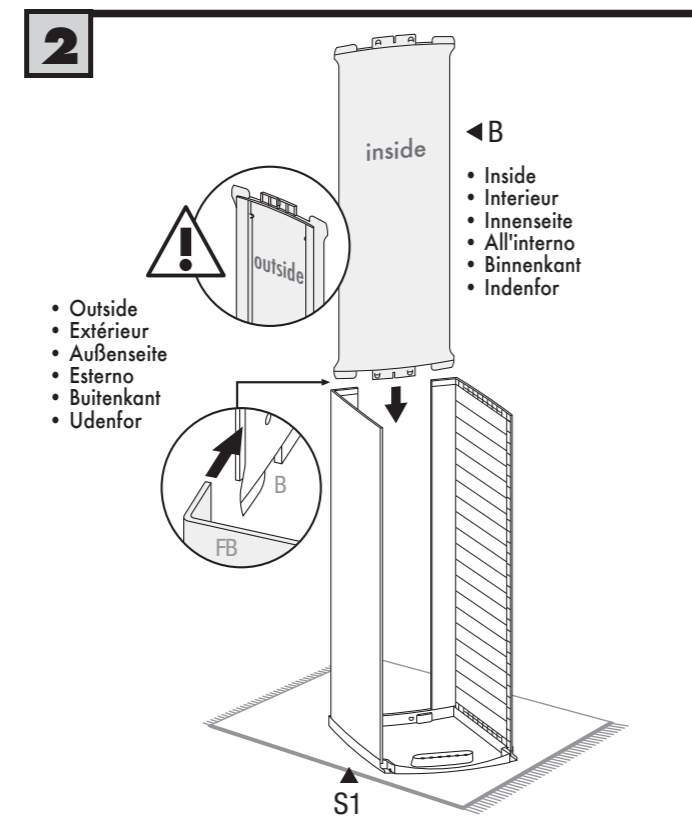
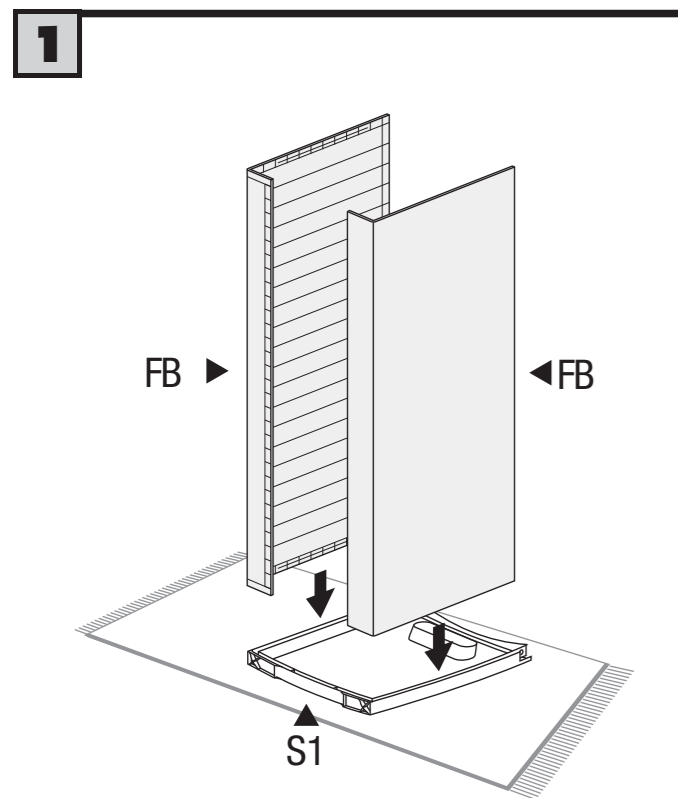
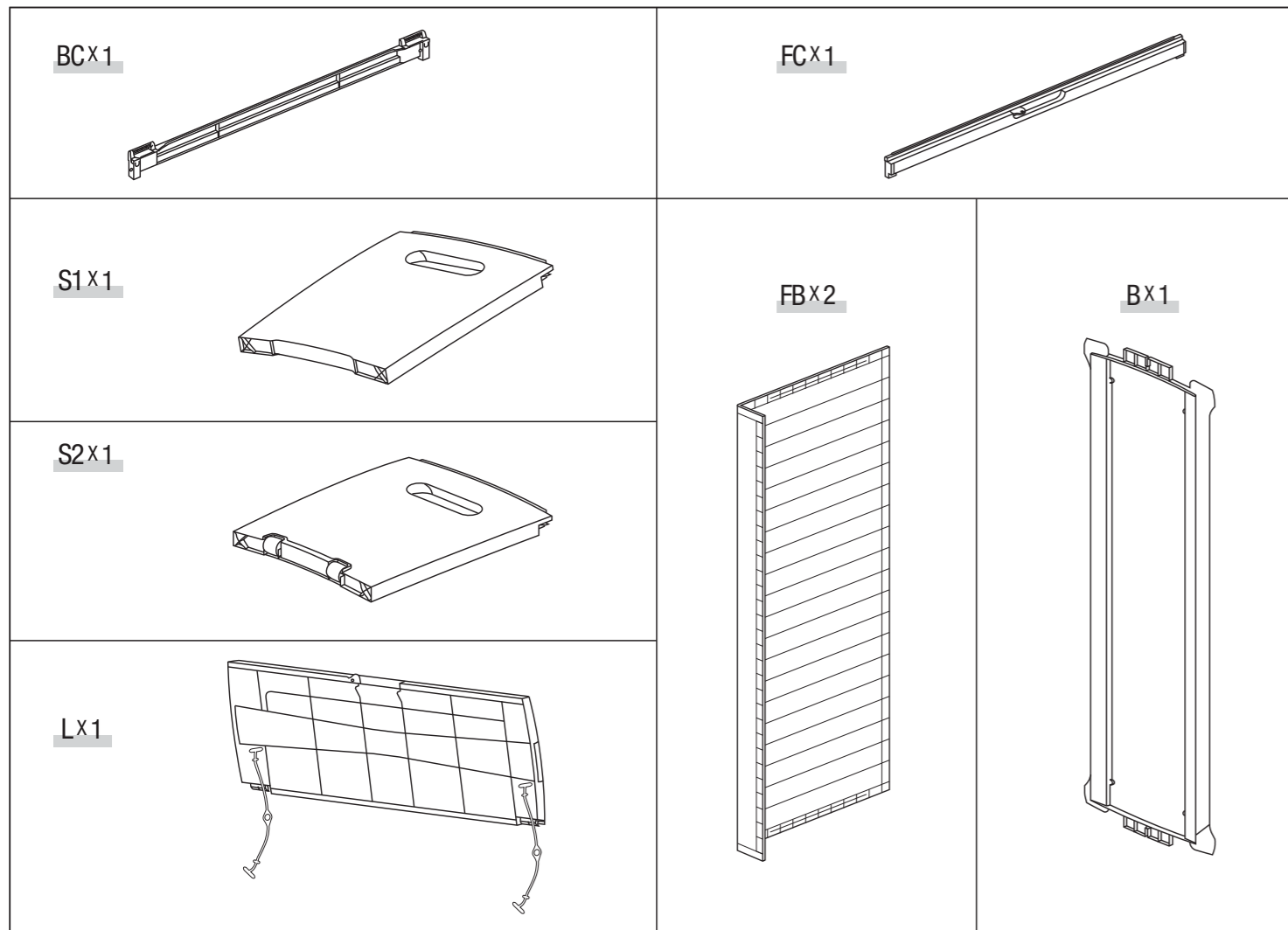


**Assembly parts • Pièces à assembler • Montageteile • Piezas de ensamble
Onderdelen • Monteringsdele**



LIMITED 2-YEAR WARRANTY

Keter's renowned reputation for its fine products results from its dedication and commitment to quality, design and innovation. The entire range of sheds and boxes is manufactured from high quality materials under rigorous control and supervision. In case a problem should occur, please address your claim to customer service either by phone or through our web site: www.keter.com. The warranty commences from date of purchase, and a dated proof of purchase should be presented on request. Keter continuously tests its products for durability & stability and will replace, at its discretion, any product or part which fails due to structural defect or faulty workmanship, or which fails due to fading of color, **for a 2-year period from the initial date of purchase**. Damage caused by: use of force, incorrect handling, inappropriate use, neglect, commercial use or use other than for personal or household purposes; damages resulting from alteration, painting, or assembly not in accordance with the User's Manual; and damages caused as a result of storage above the capacity load of the product, are **excluded** from this warranty. After a claim has been settled the guarantee will continue to run to its expiry date. Please note that the products are produced from the finest raw materials, which are "clear": non-toxic and completely recyclable.

CARE

Wash box with garden hose or a mild detergent solution. Using a stiff brush or abrasive cleaner could damage box. Hot items such as recently used grills, blowtorches, etc. must not be stored in the box. Not designed for carrying items. After rain, wipe box with cloth before opening.

SAFETY

Unsuitable for storage of flammable or corrosive substances. Do not stand on lid. Do not sit on the lid. To prevent risk of suffocation, do not allow children to play inside the box.