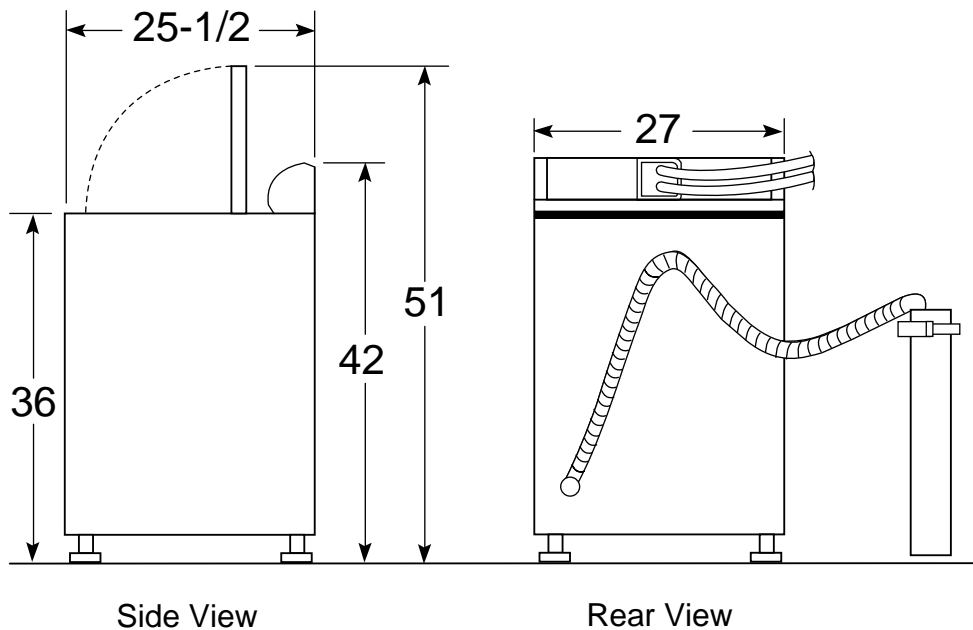




GE Appliances

WVSR1060BWW—GE Super 3.2 Cu. Ft. Capacity Washer

Dimensions (in inches)



Circuit Requirements: An individual, properly-grounded branch circuit, with a three-prong grounding-type receptacle, protected by a 15 or 20 amp circuit breaker or a time-delay fuse, is required.

Electrical Rating: 115V, 60Hz, 10A

Washer Note: Washer wall outlet must be located within 36" of service cord entry. Wall outlet must not be located behind dryer.

Installation Information: For complete information, see installation instructions packed with your washer.

Specification Created 11/01

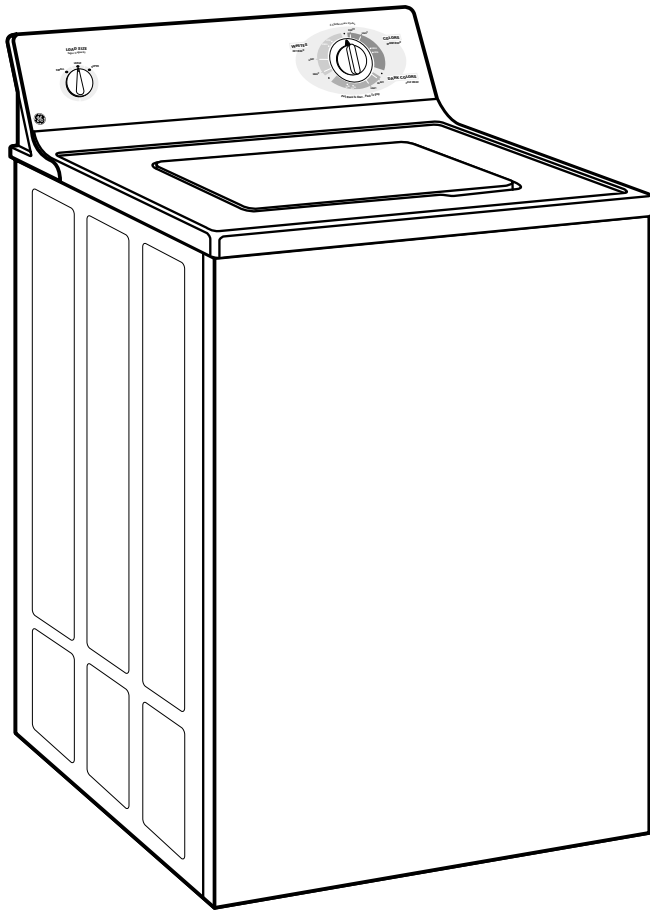


For answers to your Monogram®, GE Profile™ or GE appliance questions, visit our website at GEAppliances.com or call GE Answer Center® service, 800.626.2000.



GE Appliances

WVSR1060BWW—GE Super 3.2 Cu. Ft. Capacity Washer



Features and Benefits

- Super (3.2 cu. ft.) Capacity Washer
- Auto Balance Suspension System
- 6 Wash Cycles:
 - Whites with Heavy Soil and Light Soil Cycles
 - Colors with Heavy Soil and Light Soil Cycles
 - Dark Colors with Heavy Soil and Light Soil Cycles
- 3 (locked) Wash/Rinse Temperatures
- 1 Wash/Spin Speed Combination
- 3 Water Levels
- FlexCare™ Agitator
- PermaTuf II™ Basket
- Quiet-By-Design™
- 100% Front Serviceable
- Model WVSR1060BWW - White on white