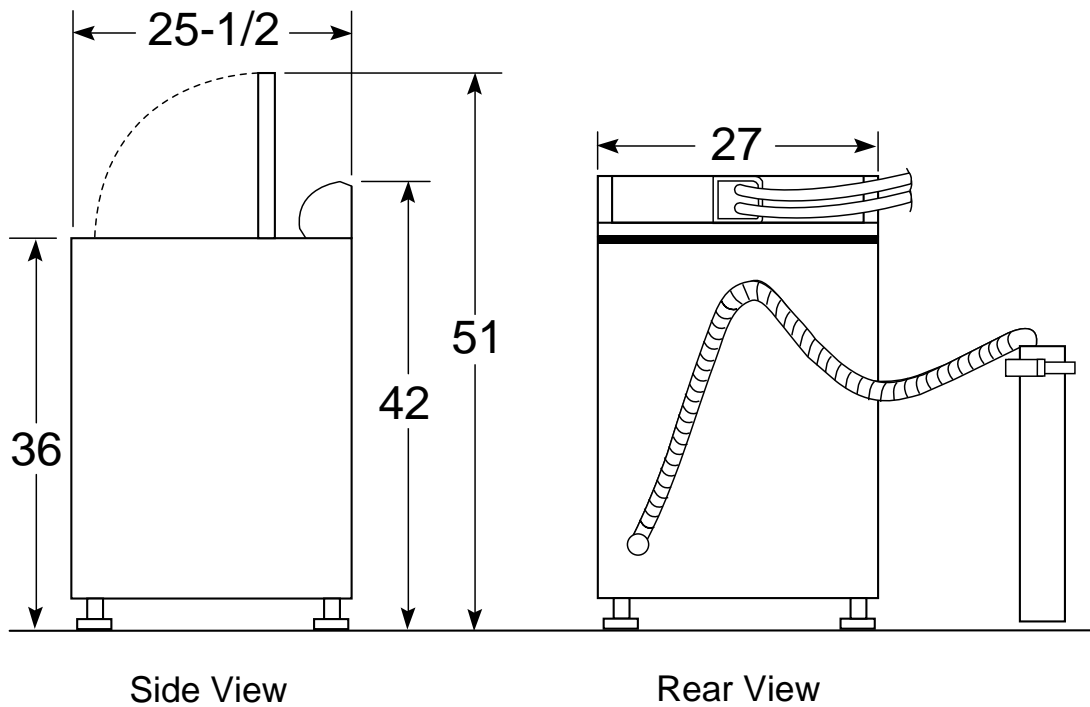




GE Appliances

WNCK2050DWC – GE® Commercial Smart Card Washer

Dimensions (in inches)



Listed by
Underwriters
Laboratories

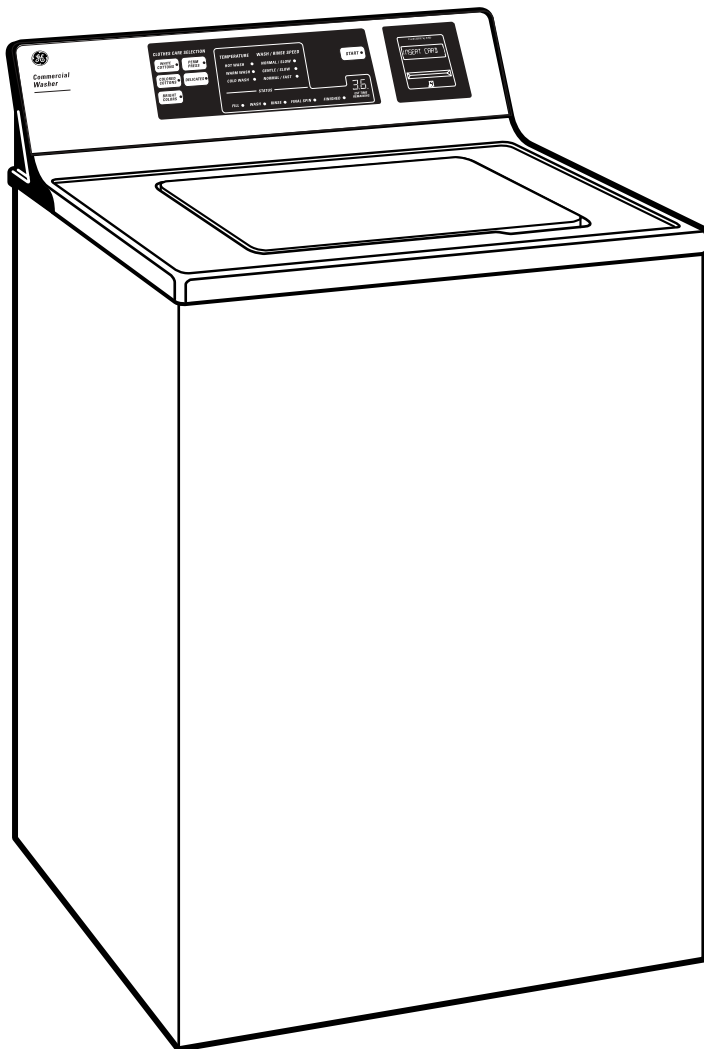
Specification Created 6/03

For answers to your Monogram®, GE Profile™ or GE® appliance questions, visit our website at GEAppliances.com or call GE Answer Center® service, 800.626.2000.



GE Appliances

WNCK2050DWC – GE® Commercial Smart Card Washer



Features and Benefits

- Smart Card Reader – Allows cashless, swipe-and-pay convenience.
- Electronic One-Touch Controls with LED Read-out – Simplify cycle selection and provide accurate cycle times.
- Three Wash/Spin Speeds – Matches wash action to fabric type for better cleaning and clothes care.
- Three Wash Cycles – A cycle for almost every fabric, from the heaviest cottons to the finest handwashables.
- Three Wash/Rinse Temperatures – Allow you to select the right temperature for better wash results and longer fabric life.
- Model WNCK2050DWC – White