

WHRE5550H

GE® ENERGY STAR® 3.5 Cu. Ft. King-Size Capacity Washer with Stainless Steel Basket

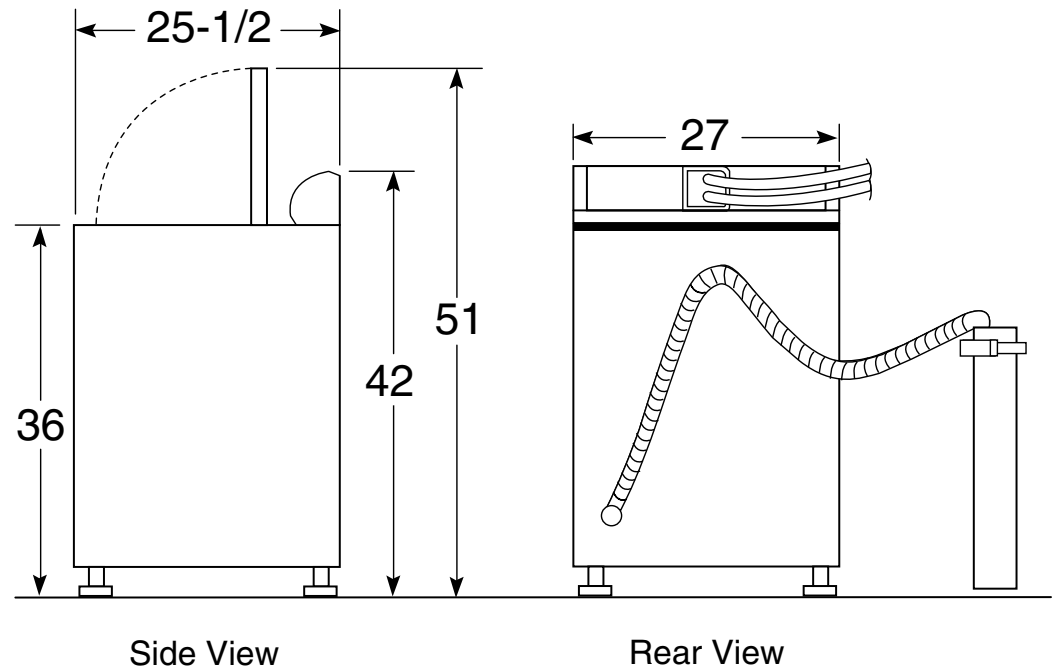
Dimensions and Installation Information (in inches)

Circuit Requirements: An individual, properly-grounded branch circuit, with a three-prong grounding-type receptacle, protected by a 15 or 20 amp circuit breaker or a time-delay fuse, is required.

Electrical Rating: 120V, 60Hz, 10A

Note: Washer wall outlet must be located within 36" of service code entry. Wall outlet must not be located behind dryer.

Installation Information: Before installing, consult installation instructions packed with product for current dimensional data.



For answers to your Monogram®, GE Profile™ or GE® appliance questions, visit our website at ge.com or call GE Answer Center® service, 800.626.2000.



imagination at work



Listed by
Underwriters
Laboratories

Specification Revised 1/08

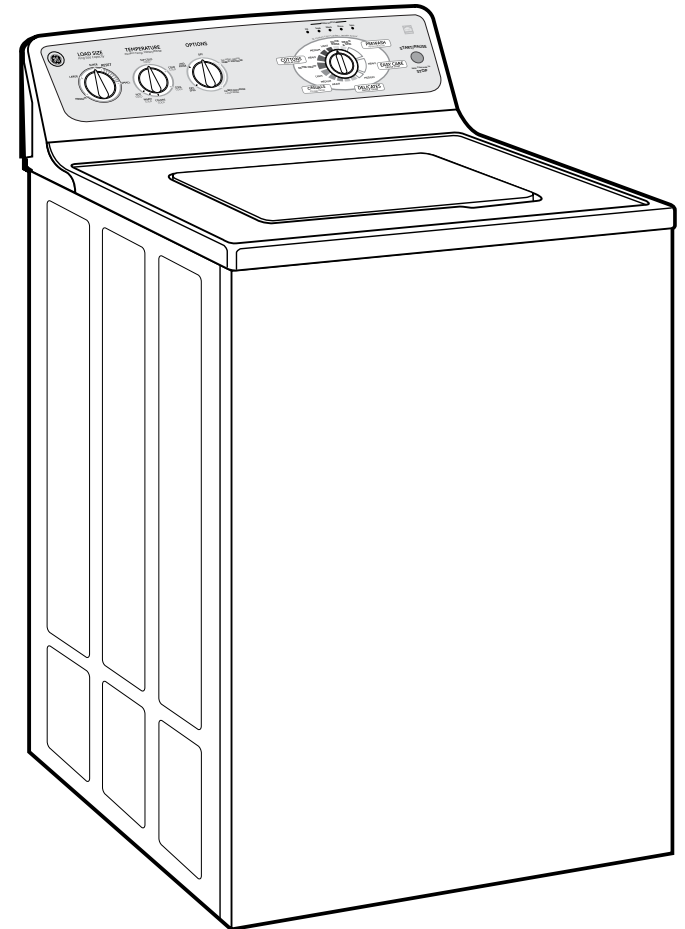
360183

WHRE5550H

GE® ENERGY STAR® 3.5 Cu. Ft. King-Size Capacity Washer with Stainless Steel Basket

Features and Benefits

- King-Size, 3.5 Cu. Ft. - Stainless steel basket makes room for more items, which means less time doing laundry
- HydroWave™ Wash System - Has variable speeds to match the wash action to the clothing type. Longer, slower travel through the water improves cleaning performance and is gentler on your clothes
- Five Wash/Spin Speed Combinations - Speeds are matched to fabric type for better clothes care
- 22 Wash Cycles - Includes a cycle for every fabric type, every load
- Six Wash/Rinse Temperatures - Offer a greater degree of control over fabric cleaning and care
- Four Water Levels - Offers water and energy savings
- Prewash Cycle - Allows clothing additional time to soak and agitate to help remove stubborn stains
- Extended Spin - Longer spin means less time drying
- Rinse and Spin - A fast, convenient way to remove odors and residue from items like swimsuits and towels
- Model WHRE5550HWW – White with silver backsplash



imagination at work