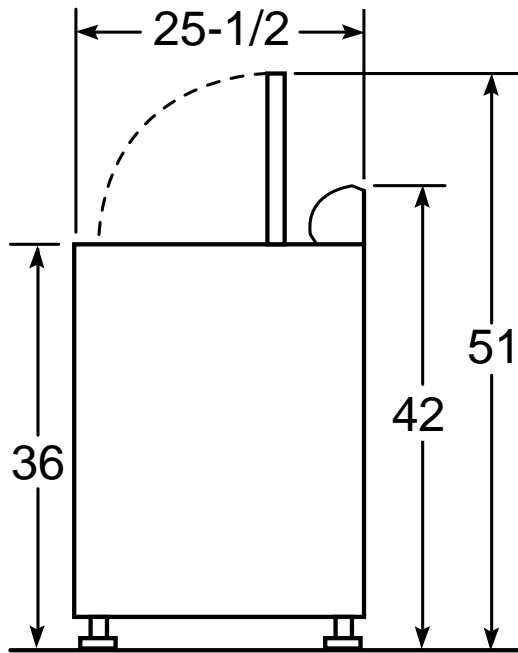




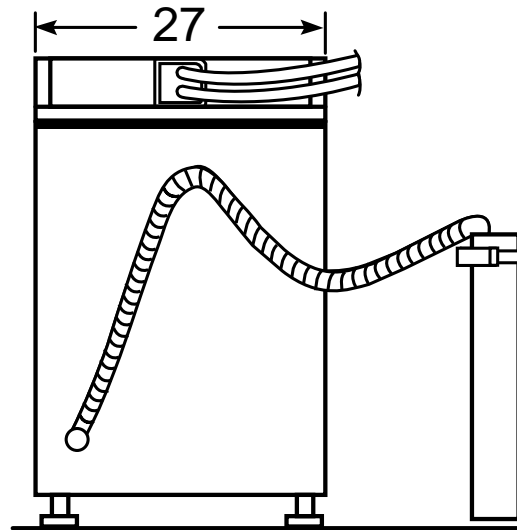
GE Appliances

WNCK2050AWC - GE Commercial Smart Card Washer

Washer Dimensions (in inches)



Side View



Rear View

For answers to your Monogram®, GE Profile™ or GE appliance questions, visit our website at GEAppliances.com or call GE Answer Center® service, 800.626.2000.

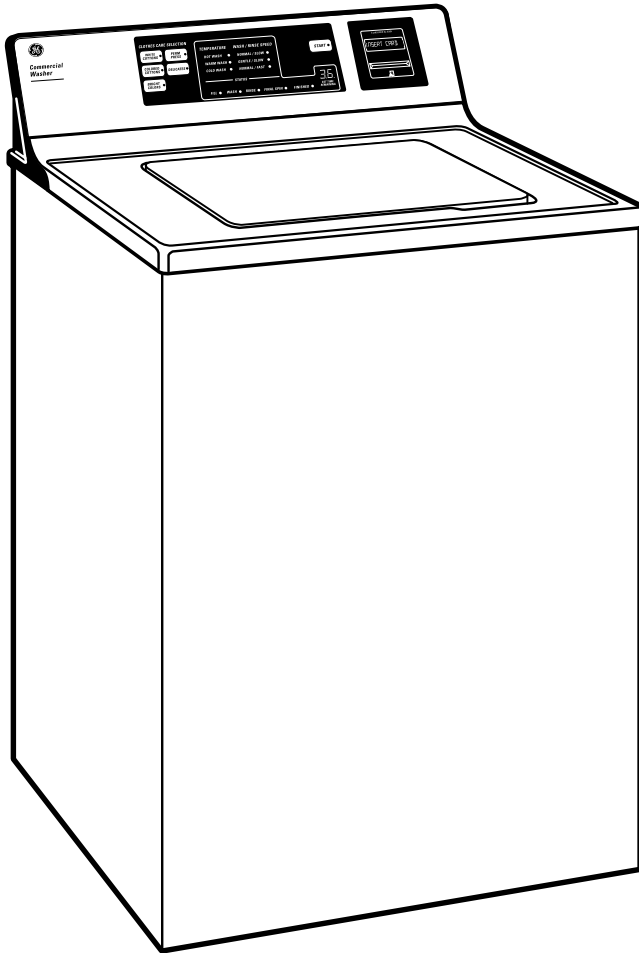
Specification Created 5/01





GE Appliances

WNCK2050AWC - GE Commercial Smart Card Washer



Features and Benefits

- Super Plus 3.2 cu. ft. Capacity
- 3 Wash/Spin Speed Combinations
- 3 Wash/Rinse Temperatures
- Automatic Water Levels
- Digital Cycle Countdown with LED Indicators
- 5 Wash Cycles: Cottons - White, Colored; Bright Colors; Permanent Press; Delicates
- ESD Smart Card Reader with Alphanumeric Display and Control Card
- Bleach and Fabric Softener Dispenser
- Quiet Package
- Lid Instructions
- Model WNCK2050AWC - White