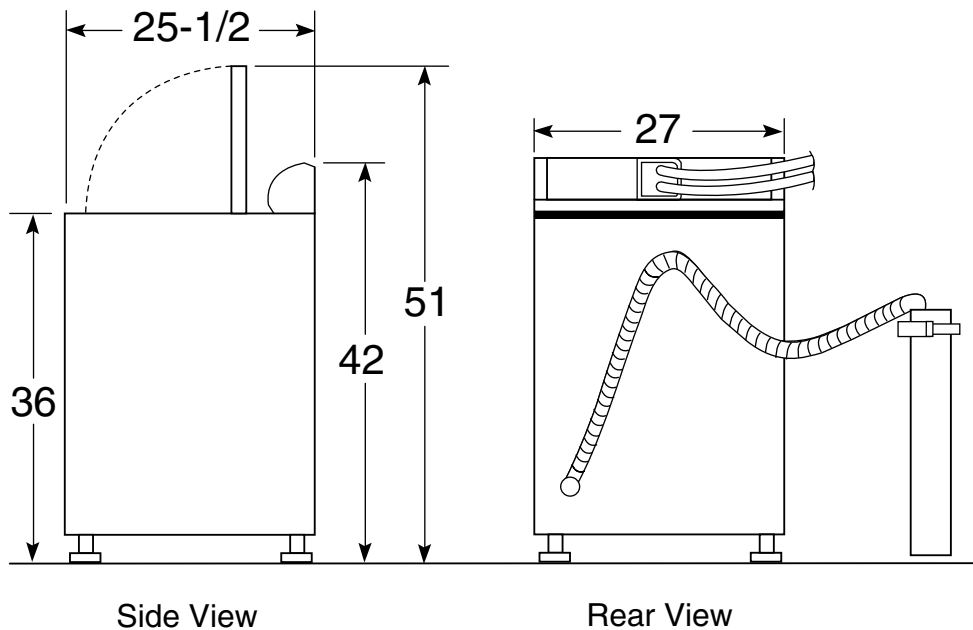




GE Appliances

## WVSR1060AWW—GE Super 3.2 Cu. Ft. Capacity Washer

Dimensions (in inches)



**Circuit Requirements:** An individual, properly-grounded branch circuit, with a three-prong grounding-type receptacle, protected by a 15 or 20 amp circuit breaker or a time-delay fuse, is required.

**Electrical Rating:** 115V, 60Hz, 10A

**Washer Note:** Washer wall outlet must be located within 36" of service cord entry. Wall outlet must not be located behind dryer.

**Installation Information:** For complete information, see installation instructions packed with your washer.

Specification Created 2/00

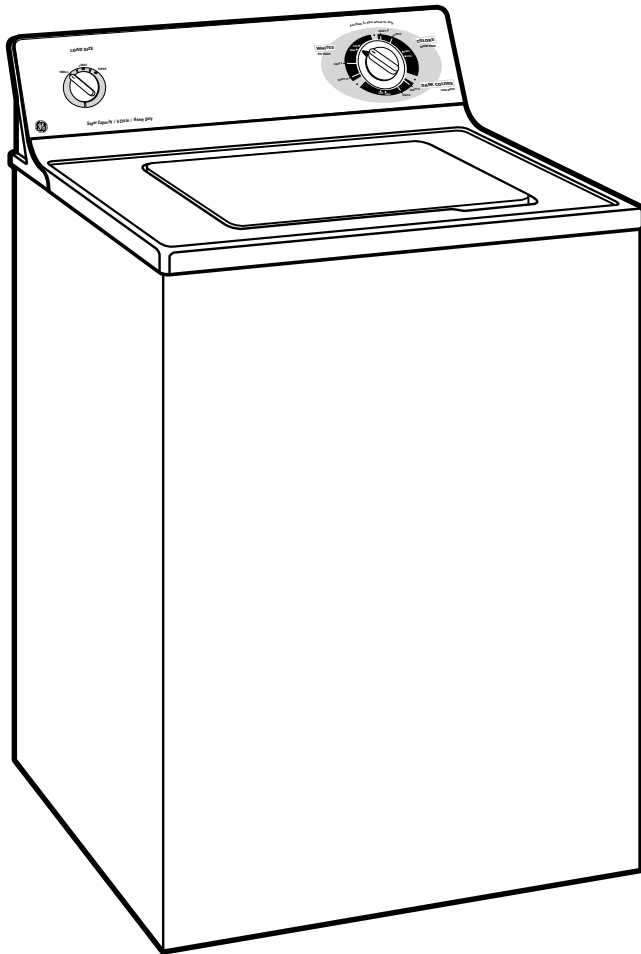
For answers to your Monogram®,  
GE Profile Performance Series™,  
GE Profile™ or GE appliance questions, call  
GE Answer Center® service, 800.626.2000.





**GE Appliances**

## **WVSR1060AWW—GE Super 3.2 Cu. Ft. Capacity Washer**



### **Features and Benefits**

- Super (3.2 cu. ft.) Capacity Washer
- Auto Balance Suspension System
- 6 Wash Cycles:
  - Whites with Heavy Soil and Medium Soil Cycles
  - Colors with Heavy Soil and Medium Soil Cycles
  - Dark Colors with Heavy Soil and Medium Soil Cycles
- 3 (locked) Wash/Rinse Temperatures
- 1 Wash/Spin Speed
- 3 Water Levels
- FlexCare™ Agitator
- PermaTuf II™ Basket
- Quiet-By-Design™
- 100% Front Serviceable
- Model WVSR1060AWW - White on white
- Model WVSR1060AAA - Almond on almond