

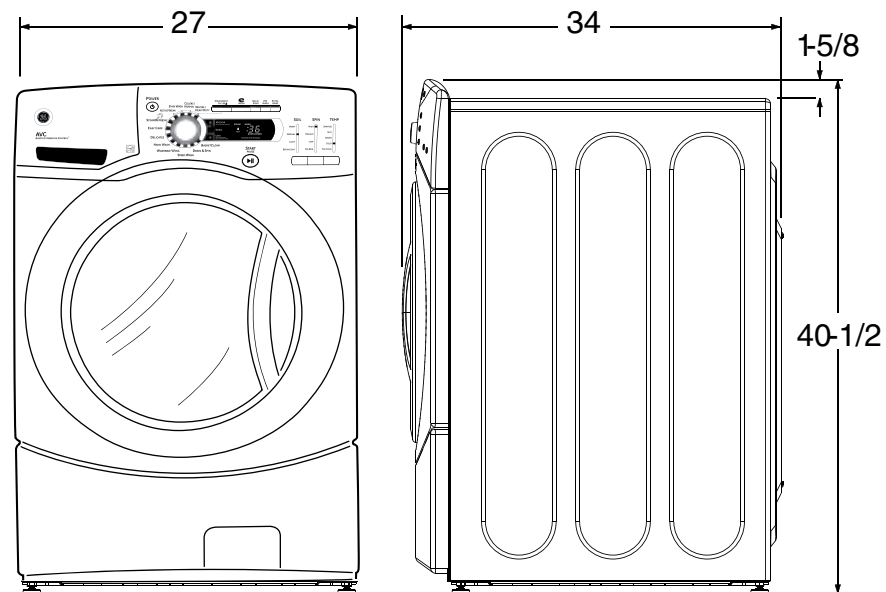
GFWS3500L/GFWS3505L

GE® 4.9 IEC* cu. ft. stainless steel capacity frontload washer with Steam

Dimensions and Installation Information (in inches)

Electric Dryer Rating	
120V	12.0A, 60Hz

Installation Information: For complete information, see installation instructions packed with your washer.



For answers to your Monogram®, GE Profile™ or GE® appliance questions, visit our website at ge.com or call GE Answer Center® service, 800.626.2000.



GFWS3500L/GFWS3505L

GE® 4.9 IEC* cu. ft. stainless steel capacity frontload washer with Steam

Special Installation Requirements:

Stacked Installation:

Kit for stacking dryer over washer is not included with the washer.
Order GEFLSTACK.

Alcove or Closet Installation:

- If your dryer is approved for installation in an alcove or closet, it will be stated on a label on the dryer back.
- The dryer MUST be exhausted to the outside.
- Minimum clearances between dryer cabinet and adjacent walls or other surfaces are: 0" either side, 3" front and rear
- Minimum vertical space from floor to overhead cabinets, ceilings, etc. is 52".
- Closet doors must be louvered or otherwise ventilated and must contain a minimum of 60 sq. in. of open area equally distributed. If this closet contains both a washer and a dryer, doors must contain a minimum of 120 sq. in. of open area equally distributed.
- No other fuel-burning appliance shall be installed in the same closet with a gas dryer.

Bathroom or Bedroom Installation:

- The dryer MUST be exhausted to the outdoors.
- The installation must conform with the local codes, or in the absence of local codes, with the National Fuel Gas Code, ANSI Z223.

Minimum Clearance other than Alcove or Closet Installations:

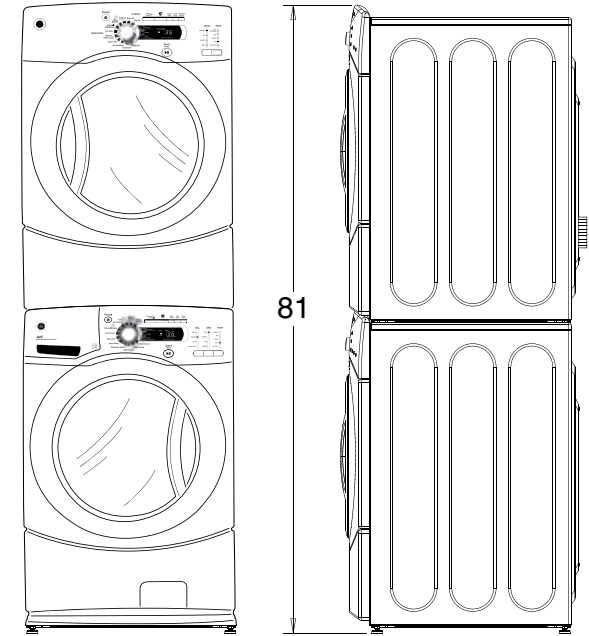
- Minimum clearances to combustible surfaces 0" both sides, 3" rear.

For more information on venting kits and accessories, please call 1-800-GE-CARES.

For answers to your Monogram®, GE Profile™ or GE® appliance questions, visit our website at ge.com or call GE Answer Center® service, 800.626.2000.



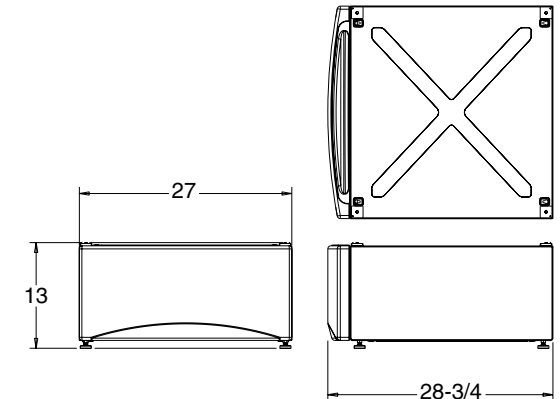
Stacked Dimensions (in inches)



Pedestal Dimensions (in inches)

- SBSD137HMS - metallic silver**
- SBSD137HMV - vermillion red**
- SBSD137HWW - white**

This optional 13" pedestal raises the door opening and height of the washer or dryer. Feet on 13" pedestal allow it to adjust to 13-3/8" height.



GFWS3500L/GFWS3505L

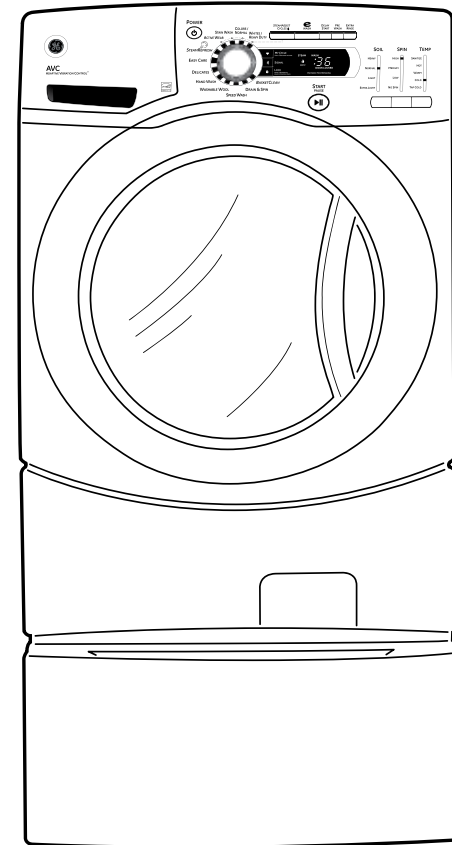
GE® 4.9 IEC* cu. ft. stainless steel capacity frontload washer with Steam

Features and Benefits

- Steam Refresh/Steam Assist - Steam Refresh helps reduce wrinkles and odors and rejuvenates fabrics, while Steam Assist penetrates fabrics to dissolve soils and help remove tough stains
- ENERGY STAR® qualified and CEE Tier III rated - Meets or exceeds federal guidelines for energy efficiency for year-round energy and money savings
- Adaptive Vibration Control (AVC) - Laundry room on the second floor? No problem! AVC adapts and optimizes spin patterns reducing vibration and sound no matter where your laundry room is located
- eWash option - Energy-saving option uses a cold water wash on select cycles without sacrificing performance
- HydroHeater™ with sanitization - Internal water heater boosts incoming water temperature to brighten whites while helping eliminate common bacteria
- Stain wash cycle - Special cycle is designed to fight tough stains and provide a deep, thorough clean
- Speed Wash - Provides a quick wash for lightly soiled items that are needed in a hurry
- Adaptive fill - Washer automatically fills with just the right amount of water for the load
- Washable Wool cycle - Provides effective cleaning care for washable wool items
- Demand Side Management Capable
- ADA Compliant
- Model GFWS3505LMV – Vermillion red
- Model GFWS3505LMS – Metallic silver
- Model GFWS3500LWW – White



imagination at work



Modified Energy Factor (MEF)	2.61
Water Factor (WF)	3.9

