



# BF03S

**INSTALLATION AND OPERATION MANUAL**

Owner's Information

Pump Model Number: \_\_\_\_\_  
Pump Serial Number: \_\_\_\_\_  
Control Model Number: \_\_\_\_\_  
Dealer: \_\_\_\_\_  
Dealer Phone No. \_\_\_\_\_  
Date of Purchase: \_\_\_\_\_ Installation: \_\_\_\_\_

Table of Contents

<b>SUBJECT</b>	<b>PAGE</b>
Safety Instructions.....	3
Installation.....	3
Suction Piping .....	3
Discharge Piping .....	3
Water Heaters .....	3
Wiring .....	3
Installation with Positive Suction Head .....	4
Operation.....	4
Priming Instructions.....	4
Maintenance .....	4
Mechanical Seal.....	4
Replacement of Mechanical Seal .....	4
Locating Trouble.....	5
If Your Unit Fails to Function Properly .....	5
If Pump Runs But Does Not Deliver Water.....	5
Vacuum Gauge Method for Testing Suction.....	6
If Pump Delivers Water But Pressure Switch Does Not Stop Pump When Water is Not Being Used .....	6
If, after Pump has been In Service For Some Time, It Pumps Water But Does Not Shut Off When Water Is Not Being Used .....	6
If pump Starts and Stops Frequently When Water is Not Being Used .....	6
Air Volume Control .....	7
Why it is Necessary .....	7
How it Works.....	7
Water Logged (Air Cushioning Chamber) Casing.....	7
If Water Leaks Around Air Volume Control.....	7
Seasonal Service .....	7
To Take Out of Service.....	7
To Place Pump Back in Service .....	7
Repair Parts.....	9
Limited Warranty .....	10

## SAFETY INSTRUCTIONS

**TO AVOID SERIOUS OR FATAL PERSONAL INJURY OR MAJOR PROPERTY DAMAGE, READ AND FOLLOW ALL SAFETY INSTRUCTIONS IN MANUAL AND ON PUMP.**

**THIS MANUAL IS INTENDED TO ASSIST IN THE INSTALLATION AND OPERATION OF THIS UNIT AND MUST BE KEPT WITH THE PUMP.**



This is a SAFETY ALERT SYMBOL. When you see this symbol on the pump or in the manual, look for one of the following signal words and be alert to the potential for personal injury or property damage.



**DANGER** Warns of hazards that **WILL** cause serious personal injury, death or major property damage.



**WARNING** Warns of hazards that **CAN** cause serious personal injury, death or major property damage.



**CAUTION** Warns of hazards that **CAN** cause personal injury or property damage.

**NOTICE: INDICATES SPECIAL INSTRUCTIONS WHICH ARE VERY IMPORTANT AND MUST BE FOLLOWED.**

**THOROUGHLY REVIEW ALL INSTRUCTIONS AND WARNINGS PRIOR TO PERFORMING ANY WORK ON THIS PUMP.**

**MAINTAIN ALL SAFETY DECALS.**

## INSTALLATION

Unit should be mounted on a firm, level base and in a convenient location, where it is protected from freezing. Unit should not be completely enclosed as adequate clean air for ventilation is necessary for proper operation of motor and to prevent overheating.

If unit is installed in kitchen, sink cabinet, playroom or other place where moisture might be objectionable it is suggested that a pan be located under the entire unit to catch the condensation drip that may collect on the unit during humid weather.

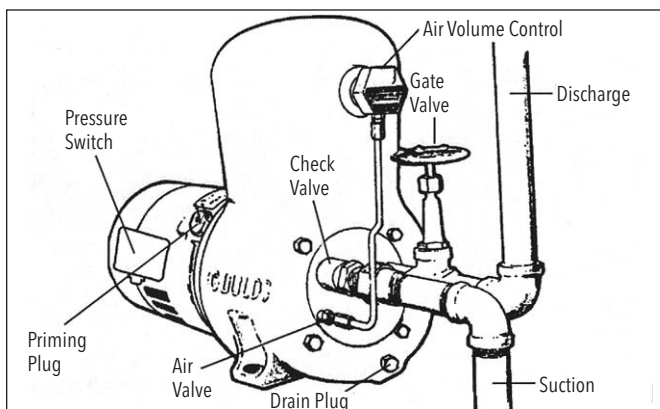


Figure 1

## SUCTION PIPING



**Do not remove the suction check valve even if a foot valve is used on other end of suction pipe. Run suction pipe to well, connect-**

ing pump end to suction check valve on pump. Observe the following instruction:

1. Use adequate pipe sizes, never smaller than  $\frac{3}{4}$ " except under positive suction head (see page 4). Where total pipe length between pump and source of supply is over 25 ft., use the following table to determine pipe size. An increaser fitting will be required at pump.

Total Length of Suction Pipe Between Pump And Well	Up to 25'	26' to 100'	101' to 300'
Size Suction Pipe	$\frac{3}{4}$ "	1"	1 $\frac{1}{4}$ "

**Note:** The total suction lift, which includes the vertical distance between the pumping level of the water and the pump plus the friction loss in the pipe should not exceed 25 feet.

2. All piping or tubing should be inspected to make sure it contains no scale, dirt or other foreign material that might impair operation of pump.
3. All joints must be air tight. A good pipe compound should be used.
4. A union should be installed in the suction line close to the pump. Packed unions are preferable. If ground unions are used they must be carefully aligned.
5. On suction lines 50 feet or more in length, a foot valve can be used to lessen priming time. Install a tee in the suction line for priming. When a foot valve is used, prime pump through priming opening and suction line through opening in tee.
6. Dug or drilled wells should be vented.

## DISCHARGE PIPING

Connect house service pipe to  $\frac{3}{4}$ " discharge opening. A gate valve in the discharge line close to the pump will facilitate working on pump without draining entire house system.

## WATER HEATERS

A check valve should be installed close to pump in the discharge line between pump and water heater or other heating appliance to prevent hot water from entering pump. Be sure water heater or other heating device is equipped with a temperature and pressure relief valve.

## WIRING



**Do not run pump until it has been filled to the priming opening with clear water (see PRIMING, page 4).**

Standard motors furnished are 115/230V, single phase, 60 Hz, A.C. motors.

Dual voltage motors will be wired for 115 volts. They can be changed to 230 volts by following the instructions on the motor or on the nameplate.

1. Use wire of sufficient size to maintain adequate voltage at motor terminals while pump is running. Voltage variations of plus or minus 10% from nameplate value are allowable at motor terminals.
2. Motor circuits should be properly protected according to NEC, CSA, state, provincial and local electric wiring codes.

3. A manual disconnect switch should be located close to the pump where required by code.
4. It is recommended this pump and motor be grounded in accordance with prevailing electrical codes. Provisions are provided for attaching ground wires to both motor and pressure switch. Ground screws are located under motor end cover and in the pressure switch.

**IMPORTANT:** After connecting wiring, **DO NOT RUN PUMP** until it has been filled to priming opening with clean water.

Connect power from a dedicated grounded circuit to the Line terminals on the pressure switch. The connection between the switch and the motor is made at the factory. The circuit breaker should be OFF when the connections are made by a qualified electrical technician.

### INSTALLATION WITH POSITIVE SUCTION HEAD

On installations where the pump takes its water from a source of supply that is at a higher elevation than the pump, the pump operates under what is known as positive suction head.

When the BF03S is used on this type of installation, install a partially closed ball valve in the suction line to create suction head at the pump.

To determine if a suction lift has been created, disconnect tube from air volume control. With pump running, air should be taken into tube. This can be determined by placing finger over end of tube. When reconnecting tubing, be careful not to cross the threads. Be sure the joint is air tight.

### OPERATION

**⚠ WARNING** After making absolutely sure that the power is OFF, remove the motor cover. Check that the impeller turns freely. Turn the centrifugal switch mechanism by hand or with a screwdriver. If the shaft turns freely, reinstall the cover. On a new pump, if the pump is bound the motor may have been damaged in shipping. Return it to the place where purchased.

### PRIMING INSTRUCTIONS

Prime the pump by removing the priming plug on the motor adapter and filling the casing with water. It should hold about 3 quarts. Replace the priming plug and open the faucet closest to the pump. *See Figure 1.*

Pump is now ready to be started. Check all plumbing connections and then turn power ON.

Pump should pick up prime within a few minutes. The longer the suction pipe the longer it will take to prime. If the pump does not prime turn power OFF and check for air leaks on suction piping and on the Air Volume Control tubing and fittings. Repair all air leaks, refill casing with water and start pump by turning power ON.

After the pump is fully primed, open a few more faucets. When all air is expelled from the plumbing and the water flows steadily close the faucets. Pressure should build up to 40 psi and the switch should turn the pump OFF. The pump is designed to run continuously whenever water is being used and to turn OFF only when water usage (flow) stops. If the switch does not go off it may require a minor adjustment.

**⚠ DANGER** The pressure switch adjustment must be made with the power ON and the pump motor running. This adjustment should be made only by qualified technicians familiar with working on “hot” electrical devices. Remove the switch cover and locate the tallest and largest spring/nut assembly. Turn the 3/8" hex nut counterclockwise to lower the cut-out pressure. The safest tool to use is a 3/8" nut driver with a hollow shaft, next best is a 3/8" box end wrench. One full turn changes the setting 2 psi. After adjusting the OFF setting it will be necessary to run through a cycle to insure that the pump runs continuously when you use water. Do this by opening 2-3 faucets for a few minutes and then close them. Pump should go to approximately 40 psi and turn OFF. Reinstall the switch cover and tighten the screw.

**Note:** Extreme seasonal variations in the well water level may require adjustments to the switch to prevent rapid cycling or to allow the pump to shut off. The switch adjustment instructions are on a label inside the switch cover.

### MAINTENANCE

#### MECHANICAL SEAL

The mechanical shaft seal in this pump is not adjustable. If a continuous and steady leak occurs around the shaft it is an indication that the mechanical seal needs replacing. To replace seal, observe the following instructions. *See Repair Parts page for part identification/nomenclature.*

#### REPLACEMENT OF MECHANICAL SEAL To Dismantle:

Turn off power on pump motor branch circuit and disconnect line wires to pressure switch. Close valve in house piping. Drain pump. *For procedure, see Seasonal Service Instructions.*

Remove 8 hex bolts holding motor adapter to pump casing and lift off rotating element assembly including motor and motor adapter.

Place motor and rotating element assembly on table, bench or other convenient working space and remove guide vane bolts and take off guide vane. *See figure 4.*

A.O. SMITH MOTORS - Remove motor end cover. Insert 7/16" open end wrench, under switch mechanism onto flats on motor shaft. While holding the shaft against rotating, turn the impeller counterclockwise. The impeller should turn completely off the shaft in this manner. *See figure 2.*

Using two screwdrivers, pry out rotary seal assembly. *See figure 3.*

Using two small screwdrivers pry out the stationary seal and Buna cap.

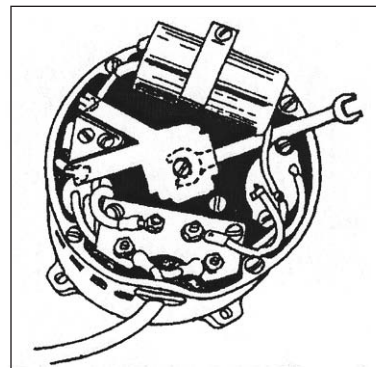


Figure 2



Figure 3

**To Reassemble:**

Be sure that recess for seal seat is free of all dirt and scale.

Apply a thin film of light oil to the recess of the motor adapter and the neoprene bushing before installing the new seal seat. This is a tight fit, but it must go in all the way evenly or a leak will result. It can be pushed in with the two thumbs. Do not mar lapped face of this seal. The slightest scar or particle of dirt will cause a leak.

Assemble rotating member of seal on motor shaft. Rotating seal face must fit snugly against lapped seal face of stationary member in motor adapter. This is accomplished by placing the rotating seal, sealing face toward stationary seat, on the shaft. Use the impeller to drive and seat the rotary seal.

Place gasket on motor adapter being careful the holes in gasket line up with openings in the adapter. If gasket is badly worn or has been damaged in any way, replace with a new one.

While holding the shaft against rotating, as described in A.O. Smith motors, page 4, screw impeller on shaft by hand until tight against shoulder of motor shaft.

Replace guide vane, making sure that bore of guide vane does not bind impeller hub, tightening screws alternately and evenly. This can be checked by turning the motor shaft. If binding occurs, loosen screws, re-adjust guide vane until impeller hub turns freely, then tighten screws as before.

Replace entire assembly in casing making sure gasket is flat all the way around and has not been damaged. Also check that the guide vane seal ring is in place on the venturi.

Insert and tighten all casing bolts evenly.

Reconnect wires to pressure switch.

Close drain opening, using pipe joint compound on threads of plug.

**REFILL PUMP WITH WATER BEFORE STARTING.**

See priming instructions.

**LOCATING TROUBLE**

**IF YOUR UNIT FAILS TO FUNCTION PROPERLY**

If your Goulds Water Technology BF03S Water System fails to operate properly after the foregoing instructions have been followed, the trouble can usually be traced to certain simple causes. Such as inadequate priming, air leaks in the suction line, foreign matter in system, low voltage in power line causing low motor speed, insufficient flow from well or other source of supply, excessive suction lift, or a house service line that is too small or too long causing excessive friction loss. The following suggestions for locating troubles should be followed in the order given, making sure that each step does not remedy the trouble before trying the next one.

**IF PUMP RUNS BUT DOES NOT DELIVER WATER**

**NOTE:** On long suction lines it may take considerable time for the pump to exhaust all of the air in the suction pipe and start to deliver water. When starting the pump under these conditions, always leave a faucet open for the air to escape. If there is a foot valve on the end of the suction line, filling the suction piping with water before starting will shorten the time required for the pump to start delivering water.

1. Examine pump by removing priming plug to see if it is full of water. **NOTE:** Three quarts of water poured in priming opening is sufficient to prime pump.
2. Check source of supply to see if there is an ample supply of water available and that the end of suction pipe is submerged in water but not buried in mud.
3. Check motor rotation. Make sure that motor runs in direction indicated by arrow on pump casing cover.

**Diagram Showing Dismantled Rotating Assembly**

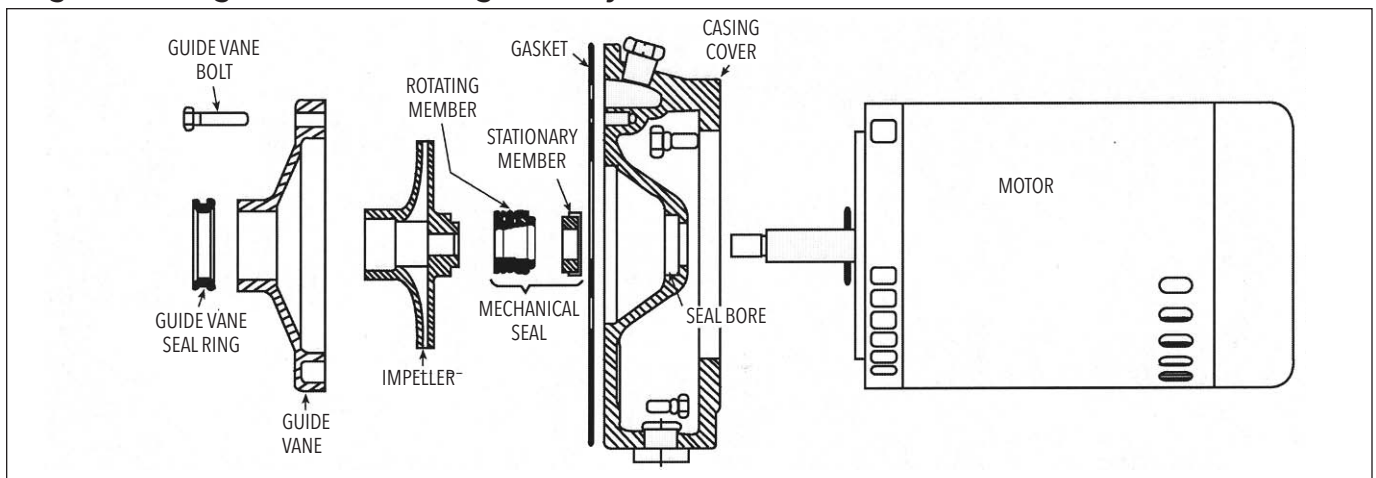


Figure 4

4. Disconnect the suction pipe at the check valve. Push the valve stem with your finger to be sure it operates freely and no foreign matter is present to prevent it seating.
5. Disconnect tube from air valve and place tire valve cap on end of air valve. If pump primes OK it indicates that the tube connections have been damaged and allow air to leak into the suction of the pump. When reconnecting copper tubing be sure threads are not crossed and the connections are made air tight. *See Procedure and Diagram for making these connections.*

#### VACUUM GAUGE METHOD FOR TESTING SUCTION

Disconnect air volume control tube from air valve in pump chamber. Remove air valve and insert vacuum gauge in 1/8" pipe tapped opening in back plate. *See figure 1.* Run the pump. If while pump is running, gauge does not register vacuum it indicates:

- A. Leak or leaks in the suction line.
- B. End of suction pipe is not submerged.

If gauge registers a vacuum of 25" or more it indicates:

- A. Plugged strainer on end of suction line or strainer is buried in mud.
- B. Suction check valve plugged or inoperative.
- C. Too high a suction lift for satisfactory operation.

If gauge registers a vacuum in feet that is less than the vertical distance between the pump and the water in source of supply, it indicates a leak which must be located and eliminated. Most frequent causes of leaks in suction line are ground unions, split pipes and fittings. Check these sources for leaks first and repair them.

Remove vacuum gauge. Replace air valve. Reconnect copper tube making sure all suction side connections are tight, as they must be air tight.

If pump fails to function after vacuum gauge is removed and air volume control is reconnected it indicates the tube connections are not air tight.

#### IF PUMP DELIVERS WATER BUT PRESSURE SWITCH DOES NOT STOP PUMP WHEN WATER IS NOT BEING USED

To determine cause of the condition, proceed as follows:

1. Close valve in house piping system if one is installed. If pump stops it indicates leaks in house piping. Examine toilet flush valves, faucets, etc., for leaks.
2. Check motor rotation. Make sure that motor runs in direction indicated by arrow on pump casing cover.
3. Check for excessive suction lift. To do this, *see vacuum gauge method under section "IF PUMP RUNS BUT DOES NOT DELIVER WATER", page 5.* If suction lift is beyond suction limits of pump, provision must be made to reduce the suction lift by placing pump closer to source of supply.
4. Pressure switch may need readjustment. See instructions for setting pressure switch.
5. Check suction line for air leaks. *See paragraph under section "IF PUMP RUNS BUT DOES NOT DELIVER WATER", for method of doing this.*
6. Air volume control tubing or fitting may be leaking air.
7. The nozzle might be plugged. In order to make a proper examination of the nozzle and venturi, they must be removed from the pump. To do this:

- A. Disconnect power from pressure switch, close gate valve in house piping and drain pump.
- B. Remove 8 tap bolts holding case cover to case and lift off rotating element assembly including motor and case cover.
- C. Disconnect the suction and discharge pipes and copper tube from air valve.
- D. Remove the 4 tap bolts holding the back plate with nozzle and venturi to cushioning chamber and remove this assembly from the chamber.
- E. Venturi can be readily unscrewed and taken out with a strap wrench or small pipe wrench.
- F. To remove the nozzle use a 5/8" socket wrench.
- G. Check number stamped on nozzle. This should be 015.

When replacing nozzle and venturi be sure they are screwed in tightly as the shoulder of each must fit tight against the machined surface of the back plate in order to give the proper spacing of these parts, which is very important for the satisfactory operation of the pump.

**NOTE:** It is recommended that thread on the plastic venturi be lubricated with water. Be sure thread starts properly and venturi is screwed in up to shoulder.

**CAUTION** When reassembling the pump be sure the gaskets are in good condition and properly placed and that the guide vane seal ring is in position on the venturi.

#### IF, AFTER PUMP HAS BEEN IN SERVICE FOR SOME TIME, IT PUMPS WATER BUT DOES NOT SHUT OFF WHEN WATER IS NOT BEING USED.

If pressure switch has been adjusted several times over a long period of time and the condition is not corrected, it is probable that the radial clearance between impeller hub and guide vane is excessive. Remove rotating element and check this clearance. If clearance is excessive (more than .020") or parts are deeply scored they should be replaced. Install a new guide vane and impeller which will restore pump to its original condition.

#### IF PUMP STARTS AND STOPS FREQUENTLY WHEN WATER IS NOT BEING USED

1. Examine entire house piping system for leaks such as dripping faucets and leaky flush tank valves and eliminate any leaks.
2. Examine suction check valve. An obstruction on seat would permit water to drain out of pump and cause pump to start frequently. Make sure that suction check valve stem moves freely in guide and that valve seats tightly.
3. This condition of frequent starting and stopping when water is not being drawn may be due to a lack of air in the air cushioning chamber which may be caused by improper operation of the Air Volume Control or Air Valve.

If a water-logged air cushioning chamber exists, when water is not being used, which is indicated by a rapid starting and stopping of the pump, recharge the air cushioning chamber by disconnecting the copper tube from the air valve, and let the pump run with a faucet open until air comes out of the faucet. Then reconnect copper tube with pump running. To prevent repetition of this condition check air volume control and air valve.

## AIR VOLUME CONTROL

*This is not a standard Air Volume Control. Be sure to use the special model supplied by Goulds Water Technology for this unit as it has a custom spring tension setting.*

### WHY IT IS NECESSARY

The turbulence of the water as it passes through the casing causes it gradually to absorb air. Without air replenishment, the water level would rise and soon there would be no air in the cushioning chamber . . . a water logged condition.

The Air Volume Control and Air Valve on Goulds Water Technology Balanced Flow Water System are vitally important parts of the unit. All connection to Air Volume Control and Air Valve must be air tight. Without these parts operating properly, satisfactory functioning of the entire unit cannot be expected.

### HOW IT WORKS

The Air Volume Control is installed in the tapped opening in the air cushioning chamber. It must be connected to the Air Valve in the body of the water pump with copper tubing. See figure 5.

The float of the air volume control rises when the water level rises. The extension of the float rod in the air volume control (on the outside of the air cushioning chamber) pushes the valve stem (1) in diagram down, opening valve. This exposes the end of copper tubing to atmosphere through hole in nameplate. Suction of the water pump takes air in through this hole, down the tubing and into the water pump through Air Valve (2). The air passes into the air cushioning chamber with the water as it is discharged from the water pump.

When there is sufficient air in the air cushioning chamber the water level is at or below the level of the float valve, valve (1) is closed and no air is drawn in until it is required.

### WATER LOGGED (AIR CUSHIONING CHAMBER) CASING

A pump casing is water logged when there is no air in it . . . it is filled with water. It can be caused by:

1. Plugged orifice, damaged valve core or ruptured float on air volume control. To check air volume control and air valve, proceed as follows:
  - A. Disconnect copper tube from air volume control. When pump is running, air should be drawn into tube. If air is not drawn into tube, the air valve may be plugged.

**CAUTION** Pump must have suction lift to draw air through tube. See section "INSTALLATION UNDER POSITIVE SUCTION HEAD", page 4.

- B. Remove air valve. Blow through it from tubing connection side. If plugged, take it apart and clean. Replace valve core if necessary.
- C. Remove replacement valve assembly from the air volume control and remove the valve core from the valve body. Hold valve body to the light and if you cannot see light through it, orifice is plugged. Clean with a needle or very fine wire. If unable to clean, replace with a new one.  
If valve core is damaged, replace with a new one.

2. Air Volume Control may be inoperative due to punctured float, broken float rod or ruptured diaphragm around float rod. Replace with new one.

### IF WATER LEAKS AROUND AIR VOLUME CONTROL

1. Disconnect copper tubing at Air Volume Control. If leak comes from tubing, Air Valve in water pump is leaking. Replace valve core. See figure 5.
2. If water leaks from Air Volume Control when tubing is disconnected, the control should be replaced.

## SEASONAL SERVICE

### TO TAKE OUT OF SERVICE

When pump is used during summer months and allowed to stand idle during the winter, as in summer cottages, it is necessary that the pump be thoroughly drained to prevent damage from freezing. To drain unit proceed as follows:

1. Shut off power to pump motor branch circuit.
2. Drain house service lines.
3. Disconnect union in suction line and drain line. If there is a foot valve on end of suction line it must be removed and line drained.
4. Remove drain plug near bottom of air cushioning chamber and allow all water to drain out. Removal of priming plug will allow pump to vent while draining. When removing drain plug make sure that tapped opening from which plug is removed is not clogged with scale or mud. If there is any question of foreign matter in the opening, it should be cleaned out with a nail or piece of stiff wire so that water will drain out freely.
5. After pump is completely drained, replace plugs.

### TO PLACE PUMP BACK IN SERVICE

1. Make sure drain plug previously removed is tight. Use a good joint compound on threads and screw in tightly.
2. If well pipes have been removed, reconnect them. Examine faces of ground union. If scored, pitted or imperfect, make packing of sheet rubber to insure tight joint. If foot valve has been removed, reinstall.
3. Remove motor shaft end cap, insert screwdriver in motor shaft slot and turn clockwise to make sure pump is free.
4. Prime and start. See *Priming and Starting and Setting Switch Instructions*.

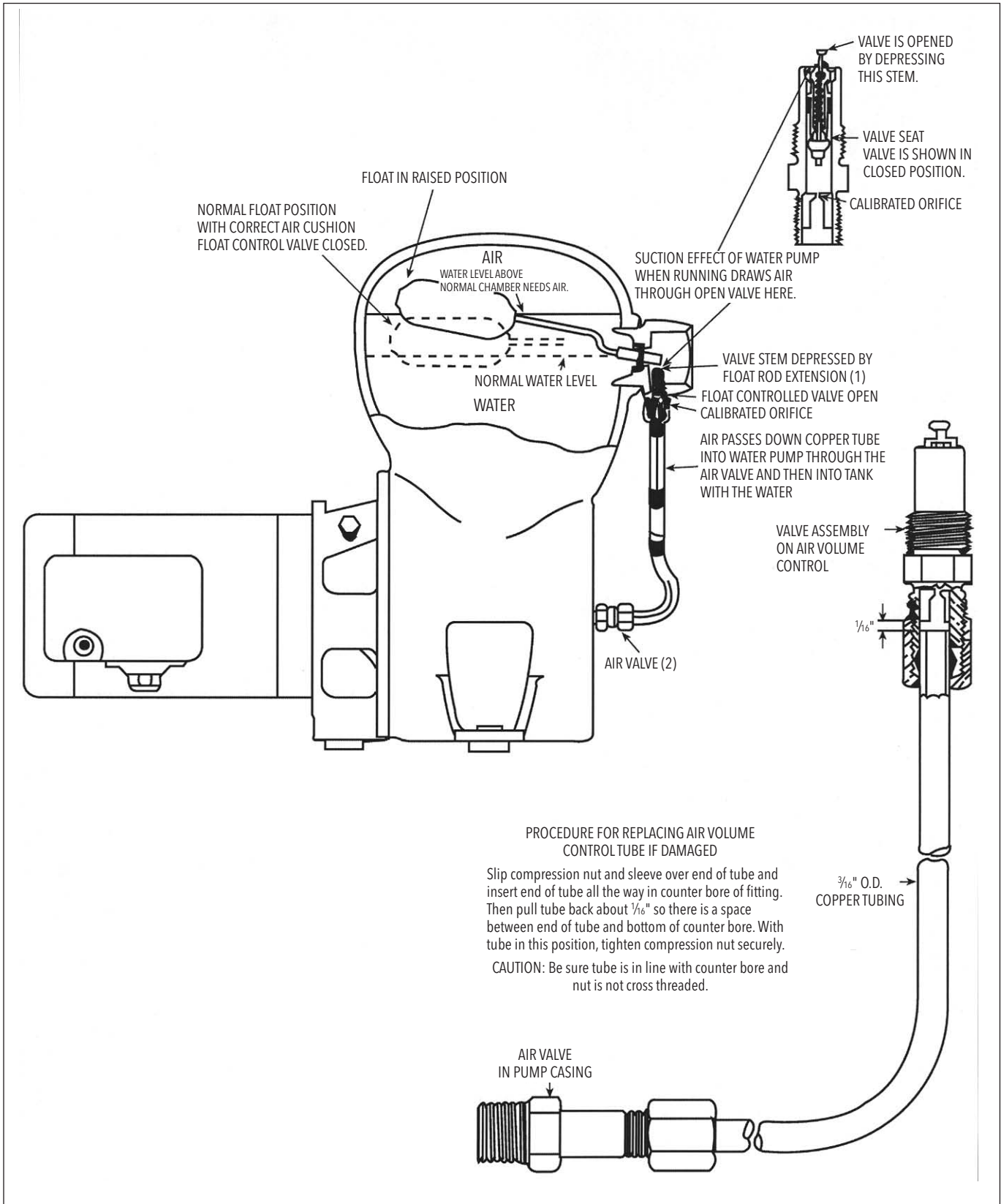
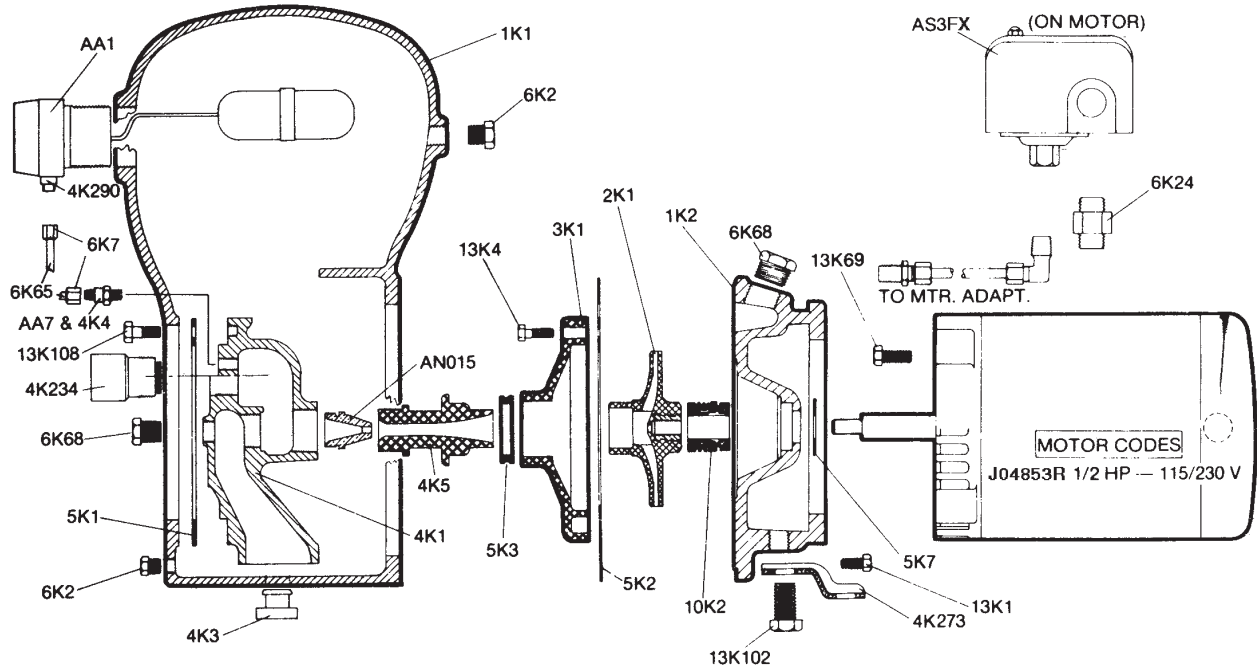


Figure 5



# REPAIR PARTS



Part No.	Part Name	Pattern No.
1K1	Casing with plug & 2 grommets	52125
1K2	Motor adapter with plug and foot	52932
2K1	Impeller	
3K1	Guidevane	
4K1	Backplate	52126
4K2	Strainer (with retaining wire)	
4K3	Rubber grommet	
4K4	Air valve core (fits inside AA7)	
4K5	Diffuser	
4K63	Foot	
4K234	Check valve	
4K290 <sup>②</sup>	Valve assembly (fits inside AA1)	
5K1	Gasket - backplate	
5K2	Gasket - casing	
5K3	Seal ring - guidevane	
5K7	Deflector	
5K175	O-ring connect A.V.C. tubing to AA7	

Part No.	Part Name	Pattern No.
6K1	Plug 1/8 NPT (old style)	
6K2	Plug 1/4 NPT	
6K7	Compression nut - A.V.C. tube (use with 5K175)	
6K24	Switch connector with nut	
6K65	Tubing - A.V.C. (3/16" O.D. x 9 3/4" long)	
6K68	Plug 1/2 NPT	

Part No.	Part Name	Pattern No.
10K2	Shaft seal assembly	
13K1	Bolt - adapter to casing	
13K2	Bolt - guidevane	
13K71	Bolt - motor to adapter	
13102	Bolt - foot to adapter	
13K108	Bolt - backplate to casing	
AA1	Air volume control (includes 4K290)	
AA7	Air valve (includes 4K4)	
AN015	Nozzle	
AS3	Pressure switch	

**NOTE:** 4K2 strainer not required on units with nozzle cleanout plug.

① 6K1 casing drain plug changed to 6K2 on 1981 and later models.

② Valve assembly 4K290 used to repair USG (black) only. 4K7 valve assembly no longer available.

### GOULDS WATER TECHNOLOGY LIMITED WARRANTY

This warranty applies to all water systems pumps manufactured by Goulds Water Technology.

Any part or parts found to be defective within the warranty period shall be replaced at no charge to the dealer during the warranty period. The warranty period shall exist for a period of twelve (12) months from date of installation or eighteen (18) months from date of manufacture, whichever period is shorter.

A dealer who believes that a warranty claim exists must contact the authorized Goulds Water Technology distributor from whom the pump was purchased and furnish complete details regarding the claim. The distributor is authorized to adjust any warranty claims utilizing the Goulds Water Technology Customer Service Department.

**The warranty excludes:**

- (a) Labor, transportation and related costs incurred by the dealer;
- (b) Reinstallation costs of repaired equipment;
- (c) Reinstallation costs of replacement equipment;
- (d) Consequential damages of any kind; and,
- (e) Reimbursement for loss caused by interruption of service.

**For purposes of this warranty, the following terms have these definitions:**

- (1) "Distributor" means any individual, partnership, corporation, association, or other legal relationship that stands between Goulds Water Technology and the dealer in purchases, consignments or contracts for sale of the subject pumps.
- (2) "Dealer" means any individual, partnership, corporation, association, or other legal relationship which engages in the business of selling or leasing pumps to customers.
- (3) "Customer" means any entity who buys or leases the subject pumps from a dealer. The "customer" may mean an individual, partnership, corporation, limited liability company, association or other legal entity which may engage in any type of business.

**THIS WARRANTY EXTENDS TO THE DEALER ONLY.**



Xylem, Inc.  
2881 East Bayard Street Ext., Suite A  
Seneca Falls, NY 13148  
Phone: (866) 325-4210  
Fax: (888) 322-5877  
[www.xylem.com/brands/gouldswatertechnology](http://www.xylem.com/brands/gouldswatertechnology)

Goulds is a registered trademark of Goulds Pumps, Inc. and is used under license.  
© 2012 Xylem Inc. IM129 Revision Number 1 July 2012



# BF03S

**MANUAL DE INSTALACIÓN Y FUNCIONAMIENTO**

## Información del propietario

Número de modelo de la bomba: \_\_\_\_\_  
Número de serie de la bomba: \_\_\_\_\_  
Número de modelo del control: \_\_\_\_\_  
Agente: \_\_\_\_\_  
No. telefónico de agente: \_\_\_\_\_  
Fecha de compra: \_\_\_\_\_ Instalación: \_\_\_\_\_

## Índice

<b>TEMA</b>	<b>PÁGINA</b>
Instrucciones de seguridad .....	13
Instalación .....	13
Tubería de succión.....	13
Tubería de descarga.....	13
Calentadores de agua .....	13
Cableado .....	13
Instalación con carga de succión positiva .....	14
Operación .....	14
Instrucciones de cebado .....	14
Mantenimiento .....	14
Sello mecánico.....	14
Reemplazo del sello mecánico .....	14
Localización de problemas.....	15
Si la unidad no funciona correctamente .....	15
Si la bomba funciona, pero no entrega agua.....	15
Método de indicador de vacío para probar la succión .....	16
Si la bomba entrega agua, pero el interruptor de presión no detiene la bomba cuando no se está usando agua.....	16
Si, después que la bomba ha estado en servicio durante cierto tiempo, bombeo agua pero no se apaga cuando no se está usando agua .....	17
Si la bomba arranca y se detiene con frecuencia cuando no se está usando agua .....	17
Control de volumen de aire.....	17
Por qué es necesario .....	17
Cómo funciona .....	17
Carcasa (cámara de amortiguación de aire) inundada.....	17
Si hay fuga de agua alrededor del control de volumen de aire.....	17
Servicio de temporada .....	19
Para retirar del servicio.....	19
Para colocar la bomba nuevamente en servicio .....	19
Partes de repuesto .....	19
Garantía limitada .....	20

## INSTRUCCIONES DE SEGURIDAD

**PARA EVITAR LESIONES PERSONALES GRAVES O AÚN FATALES Y SERIOS DAÑOS MATERIALES, LEA Y SIGA TODAS LAS INSTRUCCIONES DE SEGURIDAD EN EL MANUAL Y EN LA BOMBA.**

**ESTE MANUAL HA SIDO CREADO COMO UNA GUÍA PARA LA INSTALACIÓN Y OPERACIÓN DE ESTA UNIDAD Y SE DEBE CONSERVAR JUNTO A LA BOMBA.**



Éste es un **SÍMBOLO DE ALERTA DE SEGURIDAD**. Cuando vea este símbolo en la bomba o en el manual, busque una de las siguientes palabras de señal y esté alerta a la probabilidad de lesiones personales o daños materiales.



Advierte los peligros que **CAUSARÁN** graves lesiones personales, la muerte o daños materiales mayores.



Advierte los peligros que **PUEDEN** causar graves lesiones personales, la muerte o daños materiales mayores.



Advierte los peligros que **PUEDEN** causar lesiones personales o daños materiales.

**AVISO: INDICA INSTRUCCIONES ESPECIALES QUE SON MUY IMPORTANTES Y QUE SE DEBEN SEGUIR.**

**EXAMINE BIEN TODAS LAS INSTRUCCIONES Y ADVERTENCIAS ANTES DE REALIZAR CUALQUIER TRABAJO EN ESTA BOMBA.**

**MANTENGA TODAS LAS CALCOMANÍAS DE SEGURIDAD.**

## INSTALACIÓN

La unidad debe montarse sobre una base firme y nivelada y en un lugar conveniente, donde esté protegida contra la congelación. La unidad no debe estar completamente encerrada, ya se necesita aire puro adecuado de ventilación para un funcionamiento apropiado del motor y para impedir el recalentamiento.

Si la unidad se instala en la cocina, gabinete de la piletta, sala de juegos u otro lugar donde pudiese haber humedad, se sugiere colocar un colector debajo de la unidad completa para contener el goteo de condensación que pudiese acumularse sobre la unidad durante el tiempo húmedo.

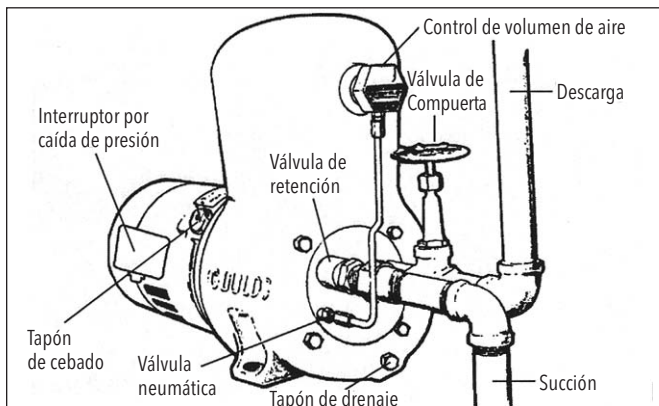


Figura 1

## TUBERÍA DE SUCCIÓN



No retire la válvula de retención de succión, aún si se usa una válvula de aspiración en el otro extremo de la tubería de succión. Tienda la tubería de succión al pozo, conectando el extremo de la bomba a la válvula de retención de succión en la bomba. Siga las siguientes instrucciones:

1. Utilice tubo de tamaños adecuados, nunca de menos de  $\frac{3}{4}$  pulg. excepto debajo de la carga de succión positiva (consulte la página 14). Cuando el largo total de tubería entre la bomba y la fuente de suministro es de más de 25 pies, utilice la tabla siguiente para determinar el tamaño de la tubería. Deberá usarse un accesorio aumentador en la bomba.

Largo Total de la Tubería de Succión entre la Bomba y el Pozo	Hasta 25 Pies	26 Pies a 100 Pies	101 Pies a 300 Pies
Tamaño Tubería de Succión	$\frac{3}{4}$ pulg.	1 pulg.	1 $\frac{1}{4}$ pulg.

**Nota:** La elevación total de succión, que incluye la distancia vertical entre el nivel de bombeo del agua y la bomba más la pérdida por fricción en la tubería, no debe exceder 25 pies.

2. Se debe inspeccionar toda la tubería o tubo para asegurar que no contenga incrustaciones, suciedad u otras materias extrañas que pudiesen deteriorar el funcionamiento de la bomba.
3. Todas las juntas deben ser herméticas. Se debe usar un buen compuesto para tubería.
4. Se debe instalar una unión en la línea de succión cerca de la bomba. Se prefieren las uniones empacadas. Si se usan uniones esmeriladas, se deben alinear cuidadosamente.
5. En las líneas de succión de 50 o más pies de largo, se puede usar una válvula de aspiración para reducir el tiempo de cebado. Instale un perfil en T en la línea de succión para el cebado. Cuando se use una válvula de aspiración, cebe la bomba por el orificio de cebado y la línea de succión por el orificio en el perfil en T.
6. Los pozos excavados o perforados deben tener ventilación.

## TUBERÍA DE DESCARGA

Conecte la tubería de servicio residencial al orificio de descarga de  $\frac{3}{4}$  pulg. Una válvula de compuerta en la línea de descarga cerca de la bomba facilitará los trabajos en la bomba sin tener que drenar el sistema completo de la casa.

## CALENTADORES DE AGUA

Se debe instalar una válvula de retención cerca de la bomba en la línea de descarga entre la bomba y el calentador de agua o otro artefacto de calentamiento para impedir que entre agua caliente a la bomba. Asegúrese de que el calentador de agua y otro artefacto de calentamiento esté equipado con una válvula de alivio de presión y temperatura.

## CABLEADO



No haga funcionar la bomba hasta que no esté llena hasta el orificio de cebado con agua limpia (consulte la sección de **CEBADO** en la página 14).

Los motores estándar suministrados son motores de 115/230 V C.A., monofásicos, de 60 Hz.

Los motores de doble tensión estarán cableados para 115 voltios. Se pueden cambiar a 230 voltios siguiendo las instrucciones en el motor o en la placa de identificación.

1. Utilice alambre de tamaño suficiente para mantener una tensión adecuada en los terminales del motor mientras la bomba está funcionando. En los terminales del motor se permiten variaciones de tensión de más o menos 10% del valor de la placa de identificación.
2. Los circuitos de los motores deben estar correctamente protegidos de acuerdo con NEC, CSA y los códigos de cableado eléctrico estatales, provinciales y locales.
3. Se debe situar un interruptor de desconexión manual cerca de la bomba, según sea requerido por el código.
4. Se recomienda que esta bomba y motor estén conectados a tierra de acuerdo con los códigos eléctricos preponderantes. Se incluyen dispositivos para conectar los alambres de tierra tanto al motor como al interruptor por caída de presión. Los tornillos de conexión a tierra están situados debajo de la cubierta del extremo del motor y en el interruptor por caída de presión.

**IMPORTANTE:** Después de conectar el cableado, **NO HAGA FUNCIONAR LA BOMBA** hasta que no esté llena con agua limpia hasta el orificio de cebado.

Conecte el suministrado eléctrico desde un circuito dedicado y conectado a tierra a los terminales de línea en el interruptor por caída de presión. La conexión entre el interruptor y el motor se realiza en la fábrica. El cortacircuitos debe estar **APAGADO** cuando un técnico eléctrico capacitado haga las conexiones.

### INSTALACIÓN CON CARGA DE SUCCIÓN POSITIVE

En instalaciones donde la bomba obtenga el agua de una fuente más elevada que la bomba, la bomba funciona bajo lo que se denomina carga de succión positiva.

Cuando se utiliza el modelo BF03S en este tipo de instalación, instale una válvula de bola parcialmente cerrada en la línea de succión para crear carga de succión en la bomba.

Para determinar si se creó elevación de succión, desconecte el tubo del control de volumen de aire. Con la bomba funcionando, debe entrar aire al tubo. Esto se puede determinar colocando un dedo sobre el extremo del tubo. Al reconectar el tubo, sea cuidadoso de no estropear las roscas. Asegúrese de que la junta sea hermética.

### OPERACIÓN

**ADVERTENCIA** Retire la cubierta del motor después de estar absolutamente seguro de que el suministro eléctrico está **APAGADO**. Verifique que el impulsor gire libremente. Gire el mecanismo del interruptor centrífugo con la mano o con un destornillador. Si el eje gira libremente, reinstale la cubierta. En una bomba nueva, si la bomba está atascada, se podría haber dañado el motor durante el envío. Devuélvala al lugar donde la compró.

### INSTRUCCIONES DE CEBADO

Cebe la bomba quitando el tapón de cebado en el adaptador para el motor y llenando la carcasa con agua. Debe contener aproximadamente 3 cuartos. Reinstale el tapón de cebado y abra el grifo más cercano a la bomba. *Consulte la Figura 1.*

Ahora puede poner en marcha la bomba. Verifique todas las conexiones de plomería y **ENCIENDA** el suministro eléctrico.

La bomba debería empezar a cebarse en unos pocos minutos. Mientras más larga sea la tubería de succión, más tiempo llevará el cebado. Si no ocurre cebado, **APAGUE** el suministro eléctrico y revise para ver si hay fugas de aire en

la tubería de succión y en el tubo y accesorios del control de volumen de aire. Repare todas las fugas de aire, llene nuevamente la carcasa con agua y arranque la bomba **ENCENDIENDO** el suministro eléctrico.

Una vez que la bomba se haya cebado por completo, abra otros grifos. Cíérrelos una vez que se expulse el aire de las cañerías y que el agua fluya en forma constante. La presión debe aumentar a 40 lbs./pulg. cuadrada y el interruptor debe **APAGAR** la bomba. La bomba está diseñada para funcionar continuamente cuando se esté usando agua y **APAGARSE** únicamente cuando cesa la utilización (flujo) de agua. Si el interruptor no se apaga, podría requerir ajuste menor.

**PELIGRO** El ajuste del interruptor por caída de presión se debe realizar con el suministro eléctrico **ENCENDIDO** y con el motor de la bomba funcionando. Sólo los técnicos capacitados familiarizados con los trabajos en dispositivos eléctricos “activados” deben efectuar este ajuste. Retire la cubierta del interruptor e identifique el conjunto de resorte/tuerca más alto y más grande. Gire la tuerca hexagonal de  $\frac{3}{8}$  pulg. en sentido contrahorario para reducir la presión de corte. La herramienta más segura a usar es un entuercador de  $\frac{3}{8}$  pulg. con eje hueco o, a falta de éste, una llave cerrada de  $\frac{3}{8}$  pulg. Una vuelta completa cambia el valor 2 lbs./pulg. cuadrada. Después de ajustar el valor de **APAGADO**, será necesario operar un ciclo para asegurar que la bomba funcione continuamente cuando utilice agua. Haga esto abriendo 2 ó 3 grifos durante unos minutos y luego cerrándolos. La presión de la bomba debe aumentar a aproximadamente 40 lbs./pulg. cuadrada y luego **APAGARSE**. Reinstale la cubierta del interruptor y apriete el tornillo.

**Nota:** Las variaciones extremas de temporada en el nivel de agua del pozo podrían requerir ajustar el interruptor para evitar el ciclado rápido o permitir que la bomba se apague. Las instrucciones de ajuste del interruptor se indican en una etiqueta dentro de la cubierta del interruptor.

### MANTENIMIENTO

#### SELLO MECÁNICO

El sello del eje mecánico en esta bomba no es ajustable. Si se produce una fuga continua y constante alrededor del eje, es una indicación de que es necesario reemplazar el sello mecánico. Para reemplazar el sello, siga las siguientes instrucciones. *Consulte la página de Partes de repuesto para la identificación/nomenclatura.*

#### REEMPLAZO DEL SELLO MECÁNICO

##### Para dismantelar:

Apague el suministro eléctrico en el circuito derivado del motor de la bomba y desconecte los cables de línea al interruptor por caída de presión. Cierre la válvula en la tubería de la casa. Drene la bomba. *Consulte el procedimiento en la sección de Instrucciones para el servicio de temporada.*

Retire los 8 pernos hexagonales que sujetan el adaptador para el motor a la carcasa de la bomba y levante el conjunto del elemento rotatorio, incluso el motor y el adaptador para el motor.

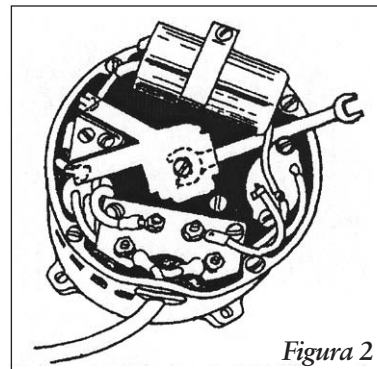


Figura 2



Figura 3

Coloque el conjunto del motor y el elemento rotatorio sobre una mesa, banco u otro espacio de trabajo conveniente y quite el álabe de guía. Consulte la Figura 4.

**MOTORES A.O. SMITH** – Retire la cubierta del extremo del motor. Introduzca una llave de boca de  $\frac{7}{16}$  pulg. debajo del mecanismo del interruptor sobre las secciones planas sobre el eje del motor. Mientras sujeta el eje para que no gire, gire el impulsor en sentido contrahorario. El impulsor debe girar hasta salir completamente del eje de esta manera. Consulte la Figura 2.

Palanquee y retire el conjunto del sello rotatorio con dos destornilladores. Consulte la Figura 3.

Palanquee y retire el sello estacionario y el tazón de Buna con dos destornilladores pequeños.

**Para reensamblar:**

Asegúrese de que el rebajo para el asiento del sello no tenga suciedad o incrustaciones.

Aplique una capa delgada de aceite liviano al rebajo del adaptador para el motor y al buje de neopreno antes de instalar el asiento del nuevo sello. Éste es un ajuste forzado, pero debe introducirse hasta el fondo en forma pareja o se producirán fugas. Puede empujarse con los dos pulgares. No estropee la cara pulida de este sello. Hasta la rayadura o partícula de polvo más leve producirá una fuga.

Coloque el componente rotatorio del sello sobre el eje del motor. La cara del sello rotatorio debe calzar en forma ajustada contra la cara pulida de sellado del componente estacionario en el adaptador para el motor. Esto se logra colocando el sello rotatorio, con la cara de sellado hacia el asiento estacionario, sobre el eje. Utilice el impulsor para instalar y asentar el sello rotatorio.

Coloque la empaquetadura sobre el adaptador para el motor, teniendo cuidado de que los agujeros en la

empaquetadura se alineen con los orificios en el adaptador. Si la empaquetadura está muy gastada o si está dañada de alguna manera, reemplácela, con una nueva.

Mientras sujeta el eje para que no gire, tal como se describe en la sección de Motores A.O. Smith en la página 12, atornille el impulsor sobre el eje con la mano hasta que quede apretado contra el reborde del eje del motor.

Reinstale el álabe de guía, asegurando que la superficie interior del álabe de guía no atasque el cubo del impulsor, apretando los tornillos en forma alterna y pareja. Esto se puede verificar girando el eje del motor. Si se produce atascamiento, afloje los tornillos, reajuste el álabe de guía hasta que el cubo del impulsor gire libremente, y luego apriete los tornillos como antes.

Reinstale el conjunto completo en la carcasa, asegurándose que la empaquetadura quede plana a todo alrededor y que no esté dañada. Verifique también que el anillo de sello del álabe de guía esté colocado sobre el tubo Venturi.

Introduzca y apriete todos los pernos de la carcasa en forma pareja.

Reconecte los cables al interruptor por caída de presión.

Cierre el orificio de drenaje aplicando compuesto para juntas de tubería sobre las roscas del tapón.

**LLENE NUEVAMENTE LA BOMBA CON AGUA ANTES DE PONERLA EN MARCHA.** Consulte las instrucciones de cebado.

**LOCALIZACION DE PROBLEMAS**

**SI SU UNIDAD NO FUNCIONA CORRECTAMENTE**

Si su Sistema para Agua BF03S de Goulds Water Technology no funciona correctamente después de haber seguido las instrucciones anteriores, probablemente esto se deba a alguna causa sencilla. Algunas de las causas podrían ser un cebado inadecuado, fugas de aire en la línea de succión, materias extrañas en el sistema, baja tensión en la línea eléctrica que produce una baja velocidad del motor, flujo insuficiente del pozo o de otra fuente de suministro, elevación de succión excesiva o una línea de servicio residencial que es demasiado pequeña o demasiado larga y produce excesiva pérdida por fricción. Las siguientes sugerencias para localizar problemas se deben seguir en el orden dado, verificando que un paso no soluciona el problema antes de intentar el siguiente.

**SI LA BOMBA FUNCIONA PERO NO ENTREGA AGUA**

**NOTA:** En el caso de líneas de succión largas, podría llevar tiempo considerable para que la bomba evacue

**Diagrama mostrando el conjunto rotatorio desmontado**

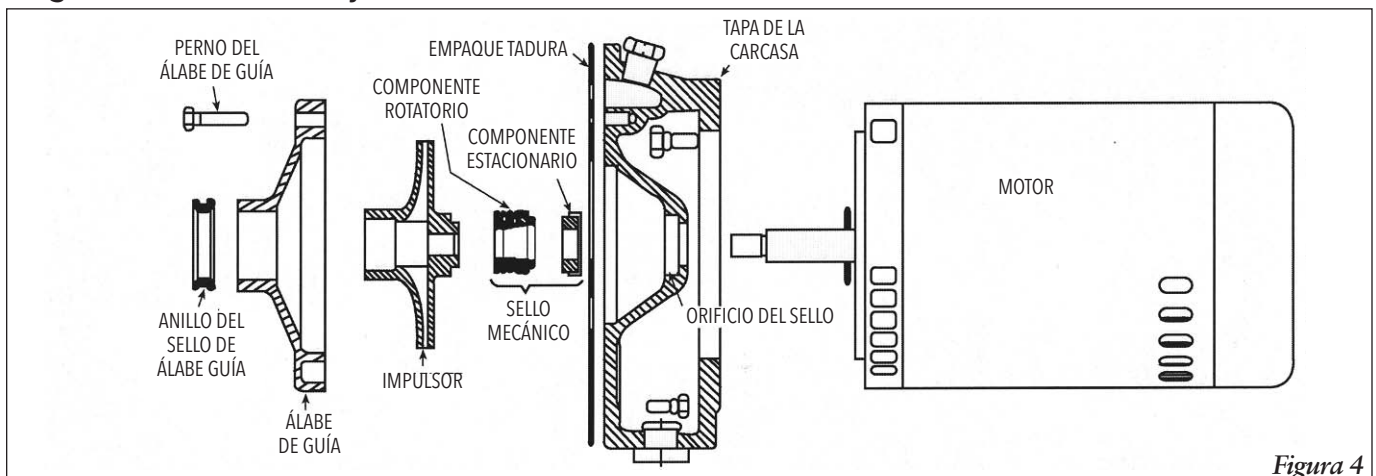


Figura 4

todo el aire en la tubería de succión y empiece a entregar agua. Cuando arranque la bomba bajo estas condiciones, siempre deje un grifo abierto para que se escape el aire. Si hay una válvula de aspiración en el extremo de la línea de succión, al llenar la tubería de succión con agua antes de arrancar la bomba se acortará el tiempo requerido para que la bomba comience a entregar agua.

1. Examine la bomba retirando el tapón de cebado para determinar si está llena con agua. **NOTA:** Tres cuartos de agua añadidos por el orificio de cebado son suficientes para cebar la bomba.
2. Inspeccione la fuente de suministro para verificar que haya abundante agua disponible y que el extremo de la tubería de succión esté sumergido en agua y no enterrado en lodo.
3. Verifique la rotación del motor. Asegúrese de que el motor funcione en la dirección indicada por la flecha en la cubierta de la carcasa de la bomba.
4. Desconecte la tubería de succión en la válvula de retención. Empuje el vástago de la válvula con el dedo para verificar que funcione libremente y que no haya materias extrañas presentes que impidan su asentamiento.
5. Desconecte el tubo de la válvula neumática y coloque una tapa en el extremo de la misma. Si la bomba se ceba sin problema, eso indica que las conexiones del tubo están dañadas y permiten que se fugue aire a la succión de la bomba. Cuando reconecte el tubo de cobre, asegúrese de no cruzar las roscas y que las conexiones sean herméticas. *Consulte el procedimiento y el diagrama para hacer estas conexiones.*

#### MÉTODO DE INDICADOR DE VACÍO PARA VERIFICAR LA SUCCIÓN

Desconecte el tubo de control de volumen de aire de la válvula neumática en la cámara de la bomba. Retire la válvula neumática e inserte el indicador de vacío en el orificio roscado para tubería de 1/8 pulg. en la placa posterior. *Consulte la Figura 1.* Haga funcionar la bomba. Si mientras la bomba está funcionando el indicador no registra vacío, eso significa:

- A. Fuga o fugas en la línea de succión.
- B. El extremo de la tubería de succión no está sumergido.

Si el indicador registra un vacío de 25 pulg. o más, eso significa:

- A. El colador en el extremo de la línea de succión está obstruido o está enterrado en el lodo.
- B. La válvula de retención de succión está obstruida o no funciona.
- C. Elevación de succión demasiado alta para un funcionamiento satisfactorio.

Si el indicador registrada un vacío en pies que es inferior a la distancia vertical entre la bomba y el agua en la fuente de suministro, eso significa que hay una fuga que se debe identificar y eliminar. Las causas más frecuentes de fugas en la línea de succión son las uniones esmeriladas y las tuberías y accesorios partidos. Revise estas fuentes de fugas primero y repárelas.

Retire el indicador de vacío. Reinstale la válvula neumática. Reconecte el tubo de cobre asegurando que todas las conexiones del lado de succión estén ajustadas, ya que deben ser herméticas.

Si la bomba no funciona después de haber retirado el indicador de vacío y haber reconectado el control de volumen de aire, eso indica que las conexiones del tubo no están herméticas.

#### SI LA BOMBA ENTREGA AGUA PERO EL INTERRUPTOR POR CAÍDA DE PRESIÓN NO DETIENE LA BOMBA CUANDO NO SE ESTÁ USANDO AGUA

Para determinar la causa del problema, prosiga de la siguiente manera:

1. Cierre la válvula del sistema de tuberías de la casa, si hay una instalada. Si la bomba se detiene, eso indica que hay fugas en las tuberías de la casa. Examine las válvulas de purga del inodoro, los grifos, etc. para determinar si hay fugas.
2. Verifique la rotación del motor. Asegúrese de que el motor funcione en la dirección indicada por la flecha en la cubierta de la carcasa de la bomba.
3. Determine si hay levantamiento de succión excesivo. Para hacerlo, *consulte el método del indicador de vacío en la sección "SI LA BOMBA FUNCIONA PERO NO ENTREGA AGUA" en la página 15.* Si el levantamiento de succión está fuera de los límites de succión de la bomba, se debe reducir el levantamiento acercando la bomba a la fuente de suministro.
4. El interruptor por caída de presión podría necesitar ajuste. Consulte las instrucciones para ajustar el interruptor por caída de presión.
5. Revise la línea de succión para ver si hay fugas de aire. *El método para hacerlo se presenta en el párrafo en la sección "SI LA BOMBA FUNCIONA PERO NO ENTREGA AGUA".*
6. Podría haber fuga de aire en el tubo de control de volumen de aire o en el accesorio.
7. La boquilla podría estar tapada. Para poder examinar correctamente la boquilla y el tubo Venturi, hay que retirarlos de la bomba. Para hacerlo:
  - A. Desconecte el suministro eléctrico del interruptor por caída de presión, cierre la válvula de compuerta en la tubería de la casa y drene la bomba.
  - B. Retire los 8 pernos prisioneros que sujetan la cubierta de la caja a la caja y levante el conjunto del elemento rotatorio, incluso la cubierta de la caja y el motor.
  - C. Desconecte las tuberías de succión y descarga y el tubo de cobre de la válvula neumática.
  - D. Quite los cuatro pernos prisioneros que sujetan la placa posterior con la boquilla y el tubo Venturi a la cámara de amortiguación y retire este conjunto de la cámara.
  - E. El tubo Venturi puede destornillarse fácilmente y retirarse con una llave de correa o llave para tubos pequeña.
  - F. Quite la boquilla con una llave de cubo de 5/8 pulg.
  - G. Verifique el número estampado en la boquilla. Debe ser 015.

Cuando reinstale la boquilla y el tubo Venturi, asegúrese de que estén atornillados apretados ya que el reborde de cada uno debe calzar en forma ajustada contra la superficie maquinada de la placa posterior para establecer el espaciamiento apropiado entre estas partes, lo cual es muy importante para el funcionamiento satisfactorio de la bomba.



**NOTA:** Se recomienda lubricar con agua la rosca en el tubo Venturi de plástico. Asegúrese de colocar la rosca correctamente y que el tubo Venturi quede atornillado hasta el reborde.

**PRECAUCIÓN** Cuando reensamble le bomba, asegúrese de que las empaquetaduras estén en buenas condiciones y que estén situadas correctamente, y que el anillo de sello del álabe de guía esté colocado sobre el tubo Venturi.

### SI, DESPUÉS QUE LA BOMBA HA ESTADO EN SERVICIO DURANTE CIERTO TIEMPO, BOMBEO AGUA PERO NO SE APAGA CUANDO NO SE ESTÁ USANDO AGUA

Si el interruptor por caída de presión se ajustó varias veces durante un período largo y no se ha corregido la condición, es probable que el espaciado radial entre el cubo del impulsor y el álabe de guía sea excesivo. Retire el elemento rotatorio y verifique este espaciado. Si el espaciado es excesivo (más de 0.20 pulg.) o si las partes están muy rayadas, deben reemplazarse. Instale un nuevo álabe de guía y un nuevo impulsor, lo cual restaurará la bomba a su condición original.

### SI LA BOMBA ARRANCA Y SE DETIENE CON FRECUENCIA CUANDO NO SE ESTÁ USANDO AGUA

1. Examine el sistema de tuberías completo de la casa para ver si hay fugas, tal como en los grifos o en las válvulas de los tanques de purga, y corríjalas.
2. Examine la válvula de retención de succión. Una obstrucción en el asiento permitiría que se drenara agua de la bomba, haciéndola arrancar con frecuencia. Asegure que el vástago de la válvula de retención de succión se mueva libremente en la guía y que la válvula se asiente en forma ajustada.
3. Esta condición de arranques y paradas frecuentes cuando no se está usando agua podría deberse a una falta de aire en la cámara de amortiguación de aire, lo cual puede ser causado por el funcionamiento incorrecto del Control de Volumen de Aire o de la válvula neumática.

Si la cámara de amortiguación de aire está inundada con agua, cuando no se está usando agua, lo cual está indicado por un arranque y parada rápidos de la bomba, recargue la cámara de amortiguación de aire desconectando el tubo de cobre de la válvula neumática y deje que la bomba funcione con el grifo abierto hasta que salga aire del grifo. Luego reconecte el tubo de cobre con la bomba funcionando. Para impedir que esta condición se repita, revise el control de volumen de aire y la válvula neumática.

### CONTROL DE VOLUMEN DE AIRE

*Éste no es un control de volumen de aire estándar. Asegúrese de usar el modelo especial suministrado por Goulds Water Technology para esta unidad ya que tiene un ajuste de tensión de resorte de diseño especial.*

#### POR QUÉ ES NECESARIO

La turbulencia del agua a medida que pasa por la carcasa produce una absorción gradual de aire. Si no se reabastece el aire, el nivel del agua aumentaría y pronto no habría aire en la cámara de amortiguación – una condición de inundación con agua.

El control de volumen de aire y la válvula neumática del sistema de agua de flujo balanceado de Goulds Water Technology son componentes de importancia vital para la unidad. Todas las conexiones al control de volumen de aire y válvula neumática deben ser herméticas. Si estas partes no funcionan correctamente, no puede esperarse el funcionamiento satisfactorio de la unidad.

### CÓMO FUNCIONA

El control de volumen de aire se instala en el orificio roscado de la cámara de amortiguación de aire. Se debe conectar con tubo de cobre a la válvula neumática en el cuerpo de la bomba de agua. *Consulte la Figura 5.*

El flotador del control de volumen de aire asciende cuando el nivel de agua aumenta. La extensión de la varilla del flotador en el control de volumen de aire (en la parte de afuera de la cámara de amortiguación de aire) empuja el vástago de la válvula (1) en el diagrama hacia abajo, abriendo la válvula. Esto expone el extremo del tubo de cobre a la atmósfera a través del agujero en la placa de identificación. El aire entra por este agujero a la succión de la bomba de aire, baja por el tubo y entra a la bomba de agua a través de la válvula neumática (2). El aire pasa a la cámara de amortiguación de aire con el agua descargada de la bomba de agua.

Cuando hay suficiente aire en la cámara de amortiguación de aire, el nivel de agua está al mismo nivel o por debajo del nivel de la válvula de flotador, la válvula (1) se cierra y no entra aire hasta que sea requerido.

### CARCASA (CÁMARA DE AMORTIGUACIÓN DE AIRE) INUNDADA

La carcasa de la bomba está inundada cuando no contiene aire . . . sino que está llena con agua. Esto puede deberse a:

1. Orificio tapado, núcleo de la válvula dañado o flotador roto en el control de volumen de aire. Para revisar el control de volumen de aire y la válvula neumática, prosiga de la siguiente manera:
  - A. Desconecte el tubo de cobre del control de volumen de aire. Cuando la bomba está funcionando, debe entrar aire al tubo. Si no entra aire al tubo, la válvula neumática podría estar tapada.

**PRECAUCIÓN** La bomba debe tener elevación de succión para que entre aire por el tubo. *Consulte la sección "INSTALACIÓN CON CARGA DE SUCCIÓN POSITIVA" en la página 14.*
  - B. Retire la válvula neumática. Sople a través de la misma desde el lado de la conexión del tubo. Si está tapada, desármela y límpiela. Reemplace el núcleo de la válvula si es necesario.
  - C. Retire el conjunto de la válvula de reemplazo del control de volumen de aire y quite el núcleo del cuerpo de la válvula. Sujete el cuerpo de la válvula hacia la luz y si no puede ver luz a través del mismo, el orificio está tapado. Límpielo con una aguja o con un alambre muy fino. Si no lo puede limpiar, reemplácelo con uno nuevo. Si el núcleo de la válvula está dañado, reemplácelo con uno nuevo.
2. El control de volumen de aire podría no funcionar debido a un flotador perforado, varilla de flotador rota o diafragma roto alrededor de la varilla del flotador. Reemplácelo con uno nuevo.

### SI HAY FUGA DE AGUA ALREDEDOR DEL CONTROL DE VOLUMEN DE AIRE

1. Desconecte el tubo de cobre en el control de volumen de aire. Si la fuga proviene del tubo, la válvula neumática en la bomba de aire tiene fuga. Reemplace el núcleo de la válvula. *Consulte la Figura 5.*
2. Si la fuga de agua proviene del control de volumen de aire cuando el tubo está desconectado, se debe reemplazar el control.

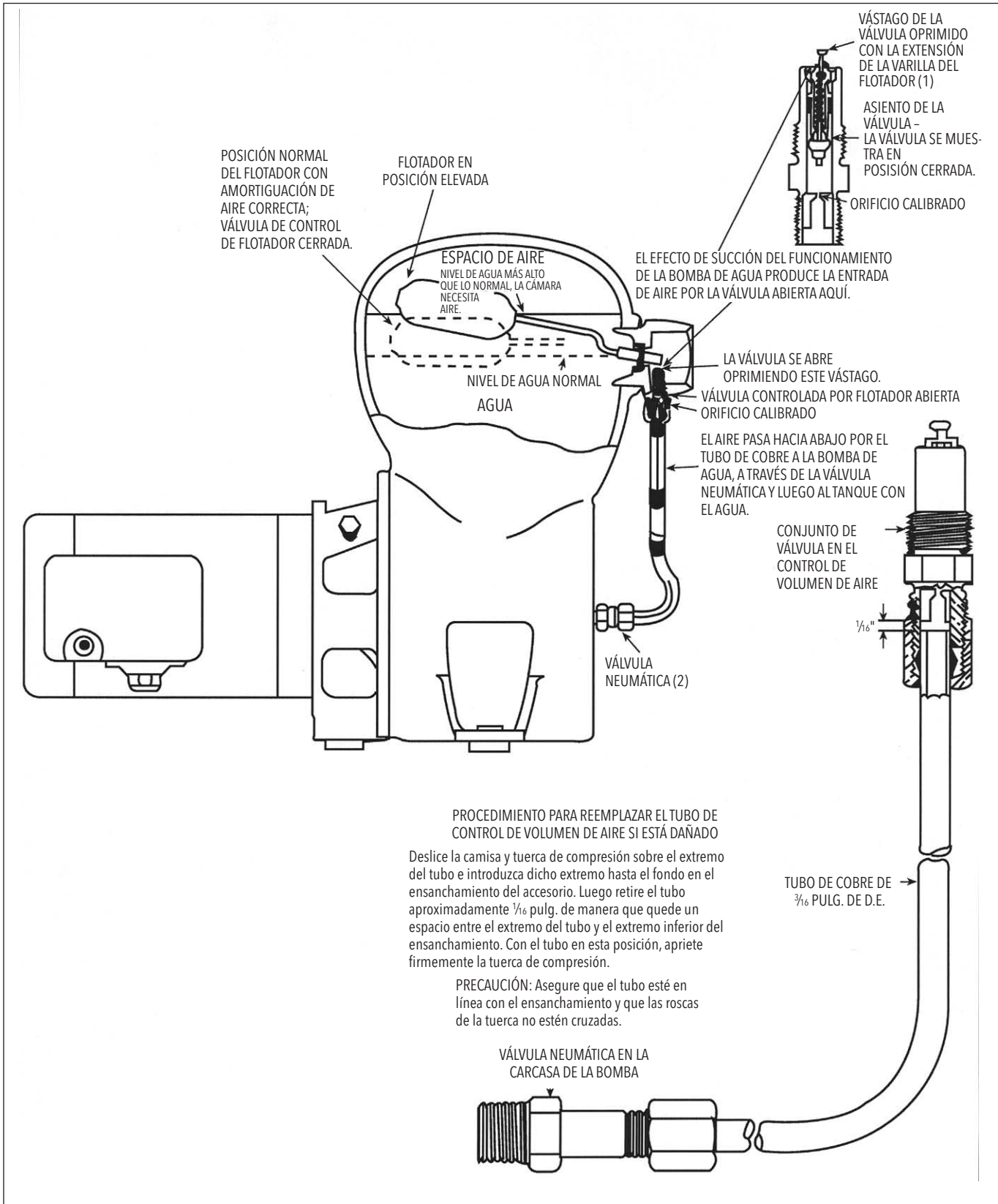


Figura 5

## SERVICIO DE TEMPORADA

### PARA RETIRAR DEL SERVICIO

Cuando se usa la bomba durante los meses de verano y se mantiene inactiva durante el invierno, como sería el caso de las cabañas para el verano, es necesario drenar la bomba por completo para impedir que se dañe debido a congelación. Para drenar la unidad, prosiga de la siguiente manera:

1. Apague el suministro eléctrico al circuito derivado del motor de la bomba.
2. Drene las líneas de servicio de la casa.
3. Desconecte la unión en la línea de succión y línea de descarga. Si hay una válvula de aspiración en el extremo de la línea de succión, se debe retirar y se debe drenar la línea.
4. Retire el tapón de drenaje cerca del extremo inferior de la cámara de amortiguación de aire y debe drenar toda el agua. Si se retira el tapón de cebado, la bomba se ventilará mientras se drena. Cuando retire el tapón de drenaje, asegúrese de que el orificio roscado del cual

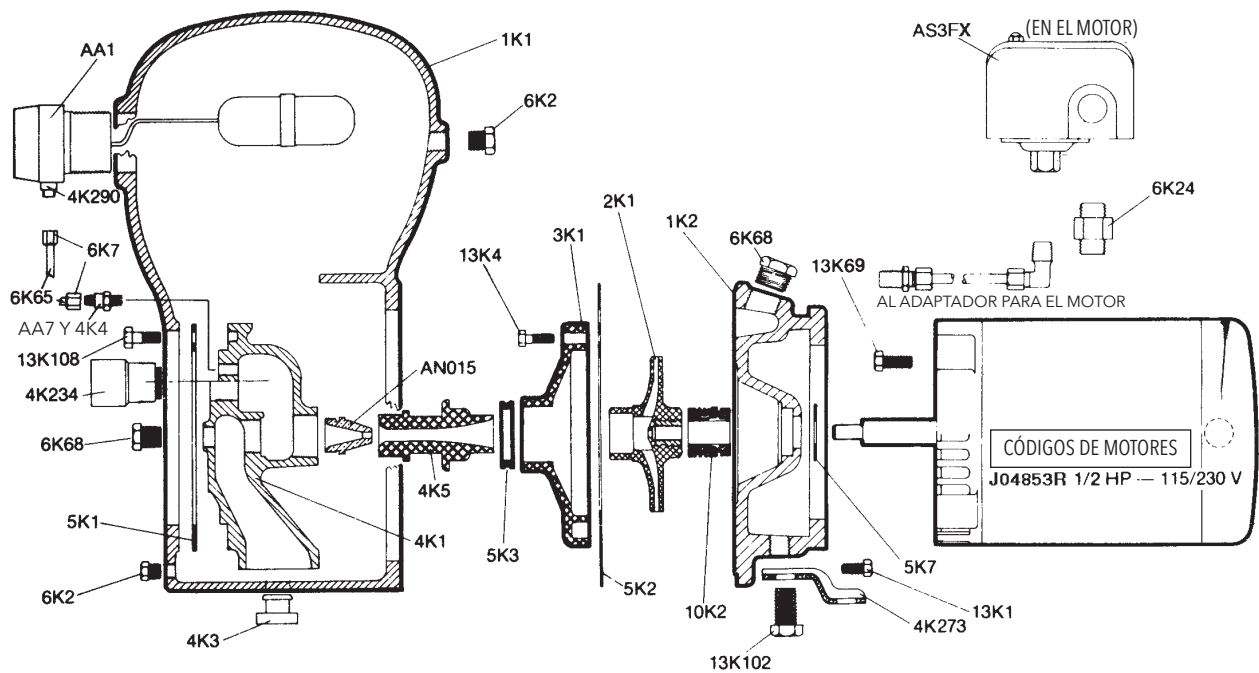
se quitó el tapón no esté obstruido con incrustaciones o lodo. Si hay materias extrañas en el orificio, éste debe limpiarse con un clavo o un trozo de alambre rígido para que el agua fluya libremente.

5. Después de haber drenado la bomba por completo, reemplace los tapones.

### PARA COLOCAR LA BOMBA NUEVAMENTE EN SERVICIO

1. Verifique que el tapón que se había retirado previamente esté ajustado. Aplique un buen compuesto para juntas sobre las roscas y atornille firmemente.
2. Reconecte las tuberías del pozo si las había desconectado. Examine las caras de la unión esmerilada. Si están rayadas, picadas o imperfectas, coloque un empaque de lámina de goma para que la unión quede apretada. Reinstale la válvula aspiración si la había retirado.
3. Quite la tapa del extremo del eje del motor, introduzca un destornillador en la ranura del eje y gire en sentido horario para verificar que la bomba esté libre.
4. Cébela y póngala en marcha. *Consulte las instrucciones de cebado, puesta en marcha y ajuste del interruptor.*

## PARTES DE REPUESTO



N° de parte	Nombre de la parte	Patrón N°
1K1	Carcasa con tapón	52125
1K2	Adaptador para el motor con tapón y soporte	52932
2K1	Impulsor	
3K1	Álabe de guía	
4K1	Placa posterior	52126
4K3	Arandela de goma (opcional)	
4K4	Núcleo de válvula de reemplazo (caja de 12) para AA7	
4K5	Tubo Venturi (difusor)	
4K273	Soporte	
4K234	Válvula de retención	
4K290	Núcleo de válvula de reemplazo para AA1	
5K1	Empaquetadura - placa posterior	
5K2	Empacadura - carcasa	
5K3	Anillo de sellado - álabe de guía	
5K7	Deflector	
5K175	Anillo en O para conectar el tubo del control de volumen de aire a AA7	

N° de parte	Nombre de la parte	Patrón N°
6K2	Tapón NPT de ¼"	
6K7	Tuerca de compresión - tubo del control de volumen de aire (uso con 5K175)	
6K24	Conector con tuerca para el interruptor	
6K65	Tubo - control de volumen de aire (¾ pulg. de D.E.)	
6K68	Tapón NPT de ½"	
6K92	Tapón del interruptor, de polipropileno	
6K94	Conector para tubo acodado	
6K100	Conector para tubo recto	

N° de parte	Nombre de la parte	Patrón N°
10K2	Conjunto de sello del eje	
13K1	Perno - del adaptador a la carcasa	
13K4	Perno - álabe de guía	
13K69	Perno - del motor al adaptador	
13102	Perno - del soporte al adaptador	
13K108	Perno - de la placa posterior a la carcasa	
AA1	Control de volumen de aire (incluye 4K290)	
AA7	Válvula neumática (incluye 4K4)	
AN015	Boquilla	
AS3FX	Interruptor por caída de presión	

### GARANTÍA LIMITADA DE GOULDS WATER TECHNOLOGY

Esta garantía es aplicable a todas las bombas para sistemas de agua fabricadas por Goulds Water Technology. Toda parte o partes que resultaren defectuosas dentro del período de garantía serán reemplazadas, sin cargo para el comerciante, durante dicho período de garantía. Tal período de garantía se extiende por doce (12) meses a partir de la fecha de instalación, o dieciocho (18) meses a partir de la fecha de fabricación, cualquiera se cumpla primero.

Todo comerciante que considere que existe lugar a un reclamo de garantía deberá ponerse en contacto con el distribuidor autorizado de Goulds Water Technology del cual adquiriera la bomba y ofrecer información detallada con respecto al reclamo. El distribuidor está autorizado a liquidar todos los reclamos por garantía a través del Departamento de Servicios a Clientes de Goulds Water Technology.

**La presente garantía excluye:**

- (a) La mano de obra, el transporte y los costos relacionados en los que incurra el comerciante;
- (b) los costos de reinstalación del equipo reparado;
- (c) los costos de reinstalación del equipo reemplazado;
- (d) daños emergentes de cualquier naturaleza; y
- (e) el reembolso de cualquier pérdida causada por la interrupción del servicio

**A los fines de esta garantía, los términos “Distribuidor”, “Comerciante” y “Cliente” se definen como sigue:**

- (1) “Distribuidor” es aquel individuo, sociedad, corporación, asociación u otra persona jurídica que opera en relación legal entre Goulds Water Technology y el comerciante para la compra, consignación o contratos de venta de las bombas en cuestión.
- (2) “Comerciante” es todo individuo, sociedad, corporación, asociación u otra persona jurídica que en el marco de una relación legal realiza negocios de venta o alquiler-venta (leasing) de bombas a clientes.
- (3) “Cliente” es toda entidad que compra o que adquiere bajo la modalidad de leasing las bombas en cuestión de un comerciante. El término “cliente” puede significar un individuo, sociedad, corporación, sociedad de responsabilidad limitada, asociación o cualquier otra persona jurídica con actividades en cualquier tipo de negocios.

**LA PRESENTE GARANTÍA SE EXTIENDE AL COMERCIANTE ÚNICAMENTE.**



Xylem, Inc.  
2881 East Bayard Street Ext., Suite A  
Seneca Falls, NY 13148  
Teléfono: (866) 325-4210  
Fax: (888) 322-5877  
[www.xylem.com/brands/gouldswatertechnology](http://www.xylem.com/brands/gouldswatertechnology)

Goulds es una marca registrada de Goulds Pumps, Inc. y se utiliza bajo licencia.  
© 2012 Xylem Inc. IM129 Revisión Número 1z Julio 2012



# BF03S

**MANUEL D'INSTALLATION ET D'UTILISATION**

## Informations pour le propriétaire

N° de modèle de la pompe: \_\_\_\_\_  
N° de série de la pompe: \_\_\_\_\_  
N° de modèle du tableau de commande: \_\_\_\_\_  
Détaillant: \_\_\_\_\_  
N° de téléphone du détaillant: \_\_\_\_\_  
Date d'achat: \_\_\_\_\_ d'installation: \_\_\_\_\_

## Table des matières

<b>SUJET</b>	<b>PAGE</b>
Consignes de sécurité .....	23
Installation .....	23
Tuyauterie d'aspiration .....	23
Tuyauterie de refoulement.....	23
Chauffe-eau .....	23
Câblage.....	23
Installation avec hauteur totale de charge positive à l'aspiration.....	24
Utilisation .....	24
Amorçage.....	24
Entretien.....	24
Garniture mécanique .....	24
Remplacement de la garniture mécanique .....	24
Diagnostic des anomalies.....	25
Mauvais fonctionnement de la pompe .....	25
Débit de refoulement nul.....	26
Pression d'aspiration inappropriée.....	26
Besoins en eau nuls, débit de refoulement adéquat, mais non arrêt de la pompe par le pressostat.....	26
Besoins en eau nuls, débit de refoulement adéquat, mais non-arrêt de la pompe .....	26
Besoins en eau nuls, mais démarrages et arrêts fréquents de la pompe .....	27
Régulateur de volume d'air (RVA).....	27
Nécessité de RVA.....	27
Fonctionnement.....	27
Chambre à air pleine d'eau.....	27
Fuite d'eau dans le RVA.....	27
Entretien saisonnier .....	27
Mise hors service .....	27
Remise en service.....	28
Éclaté et pièces de rechange .....	29
Garantie limitée.....	32

## CONSIGNES DE SÉCURITÉ

**AFIN DE PRÉVENIR LES BLESSURES GRAVES OU MORTELLES ET LES DOMMAGES MATÉRIELS IMPORTANTS, LIRE ET SUIVRE TOUTES LES CONSIGNES DE SÉCURITÉ FIGURANT DANS LE MANUEL ET SUR LA POMPE.**

**LE PRÉSENT MANUEL A POUR BUT DE FACILITER L'INSTALLATION ET L'UTILISATION DE LA POMPE ET DOIT ÊTRE CONSERVÉ PRÈS D'ELLE.**



Le symbole ci-contre est un **SYMBOLE DE SÉCURITÉ** employé pour signaler les mots-indicateurs dont on trouvera la description ci-dessous. Sa présence sert à attirer l'attention afin d'éviter les blessures et les dommages matériels.



**DANGER** Prévient des risques qui **VONT** causer des blessures graves, la mort ou des dommages matériels importants.



**AVERTISSEMENT** Prévient des risques qui **PEUVENT** causer des blessures graves, la mort ou des dommages matériels importants.



**ATTENTION** Prévient des risques qui **PEUVENT** causer des blessures ou des dommages matériels.

**AVIS: SERT À ÉNONCER LES DIRECTIVES SPÉCIALES DE GRANDE IMPORTANCE QUE L'ON DOIT SUIVRE.**

**LIRE SOIGNEUSEMENT CHAQUE DIRECTIVE ET AVERTISSEMENT AVANT D'EFFECTUER TOUT TRAVAIL SUR LA POMPE.**

**N'ENLEVER AUCUNE DÉCALCOMANIE DE SÉCURITÉ.**

## INSTALLATION

La pompe devrait être installée sur une base solide et de niveau, en un endroit pratique protégé contre le gel, mais non entièrement fermé parce que de l'air propre est nécessaire pour aérer le moteur convenablement et en prévenir la surchauffe. (Voir la figure 1.)

Si la pompe est montée dans la cuisine, dans une armoire sous évier, dans une salle de jeu ou en tout autre lieu où l'humidité est inconvenante, il est suggéré de placer un bac sous la pompe pour recevoir le liquide de condensation.

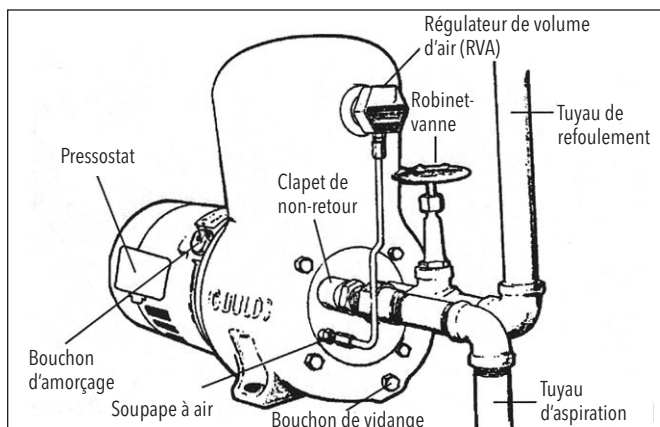


Figure 1

## TUYAUTERIE D'ASPIRATION



Même si l'on pose un clapet de pied à l'entrée du tuyau d'aspiration, ne pas enlever le clapet de non-retour. Placer le tuyau d'aspiration dans le puits et le raccorder ensuite au clapet de non-retour monté sur l'orifice d'aspiration de la pompe. Suivre les directives ce-dessous :

- Employer un calibre de tuyau adéquat, mais jamais inférieur à  $\frac{3}{4}$  po, sauf s'il y a hauteur totale de charge positive à l'aspiration (v. page 24). Quand la longueur de tuyauterie totale entre la pompe et le puits dépasse 25 pi, déterminer le calibre selon la table suivante. Un raccord réducteur devra être posé sur la pompe.

Longueur de Tuyauterie Totale Entre la Pompe et le Puits	25 pi ou Moins	26 À 100 pi	101 À 300 pi
Calibre de la Tuyauterie D'aspiration	$\frac{3}{4}$ po	1 po	1 $\frac{1}{4}$ po

**Nota :** la hauteur d'aspiration, comprenant la perte de charge (par frottement) plus la distance verticale entre la pompe et le niveau de pompage de l'eau, ne devrait pas dépasser 25 pi.

- On devrait inspecter toute la tuyauterie, y compris le tube (en cuivre), pour s'assurer qu'elle ne contient pas de tartre, de saletés ni de corps étrangers pouvant nuire au fonctionnement de la pompe.
- Chaque joint de tuyauterie doit être étanche. On devrait utiliser un bon mastic pour joints de tuyaux.
- Un raccord union devrait être posé sur la tuyauterie d'aspiration, près de la pompe. Les raccords unions à garniture d'étanchéité sont préférables. Si l'on emploie des raccords unions métal à métal, on doit les aligner avec soin.
- Afin de réduire le temps d'amorçage, on peut fixer un clapet de pied sur toute tuyauterie d'aspiration de 50 pi de long et plus. Poser un té sur cette dernière pour la remplir. Si l'on utilise un clapet de pied, amorcer la pompe par l'ouverture d'amorçage et remplir la tuyauterie d'aspiration par le té.
- Les puits forés ou creusés devraient être mis à l'air libre.

## TUYAUTERIE DE REFOULEMENT

Raccorder la conduite principale de la maison à l'orifice de refoulement de  $\frac{3}{4}$  po. La pose d'un robinet-vanne sur le tuyau de refoulement, près de la pompe, facilite l'entretien de celle-ci en évitant l'obligation de vidanger la tuyauterie de la maison.

## CHAUFFE-EAU

Afin de prévenir l'entrée d'eau chaude dans la pompe, on devrait installer un clapet de non-retour sur le tuyau de refoulement, près de la pompe, en amont (avant) de tout chauffe-eau ou autre appareil chauffant. S'assurer que le chauffe-eau ou l'appareil chauffant est muni d'une soupape de décharge et de sécurité thermique.

## CABLAGE



Ne pas mettre la pompe en marche tant qu'elle n'aura pas été remplie d'eau propre jusqu'à l'orifice d'amorçage (v. «AMORÇAGE», p. 24).

Les moteurs standard fournis fonctionnent en 115/230 V c.a., 60 Hz.

Les moteurs bitension seront câblés pour 115 V. Pour choisir 230 V, suivre les directives imprimés sur le moteur ou la plaque signalétique.

1. Employer de fils de calibre suffisant pour maintenir une tension adéquate aux bornes du moteur pendant le fonctionnement de celui-ci. Des variations de tension de  $\pm 10\%$  par rapport aux indications de la plaque signalétique sont permises aux bornes du moteur.
2. Les circuits du moteur devraient être protégés correctement, selon les codes de câblage électrique locaux, provinciaux ou national pertinents et conformément à la CSA.
3. On devrait poser un sectionneur manuel près de la pompe quand le code le requiert.
4. Il est recommandé de mettre la pompe et le moteur à la terre suivant le code de l'électricité en vigueur. À cette fin, des bornes à vis pour fil de terre sont situées sous le couvercle d'extrémité du moteur et à l'intérieur du pressostat.

**IMPORTANT :** une fois la pompe câblée, **NE PAS LE METTRE EN MARCHÉ** tant qu'elle n'aura pas été remplie d'eau propre jusqu'à l'orifice d'amorçage.

Connecter aux bornes ligne (*Line*) du pressostat le câble d'alimentation, branché à un circuit spécialisé mis à la terre. Le branchement du pressostat au moteur est fait en usine. Le disjoncteur devrait être HORS CIRCUIT quand un électrotechnicien qualifié effectuera la connexion.


### INSTALLATION AVEC HAUTEUR TOTALE DE CHARGE POSITIVE À L'ASPIRATION

Dans les installations où la source d'eau est plus haute que la pompe, celle-ci fonctionne avec une hauteur totale de charge positive à l'aspiration.

Lorsque la pompe à débit équilibré BF03S sert dans ce type d'installation, utiliser un robinet à tournant sphérique entrouvert pour créer une hauteur d'aspiration.

Pour déterminer s'il y a hauteur d'aspiration, séparer le tube d'avec la régulateur de volume d'air (RVA) pendant le fonctionnement de la pompe. De l'air devrait alors être aspiré dans le tube, ce que l'on vérifiera en bouchant le tube avec son doigt. En reposant le tube, voir à ne pas en fausser les filets du raccord. S'assurer que celui-ci est étanche.

### UTILISATION

 Bien s'assurer que le moteur est HORS TENSION, puis en déposer le couvercle.

Vérifier si la roue tourne librement en tournant le contacteur centrifuge à la main ou avec un tournevis. Si oui, reposer le couvercle. S'il s'agit d'une pompe neuve et que la roue en soit grippée, le moteur peut avoir été endommagé durant le transport. Retourner alors la pompe au vendeur.


### AMORÇAGE

Déposer le bouchon de l'orifice d'amorçage, situé sur l'adaptateur de moteur, puis remplir la pompe d'eau par l'orifice pour l'amorcer. Le corps de pompe devrait contenir 3 pintes US. Reposer le bouchon d'amorçage. Ouvrir le robinet de puisage le plus proche de la pompe. Voir la figure 1.

La pompe est prête à mettre en marche. Vérifier tous les raccords de tuyauterie, puis mettre le moteur de la pompe SOUS TENSION.

L'amorçage de la pompe devrait prendre quelques minutes. Plus la tuyauterie d'aspiration sera longue, plus l'amorçage sera long. Si ce dernier échoue, couper le courant et vérifier s'il y a fuite d'air dans la tuyauterie d'aspiration et dans le tube et les raccords du régulateur de volume d'air. Colmater les fuites, puis remplir la pompe d'eau et mettre le moteur SOUS TENSION.

Une fois la pompe bien amorcée, ouvrir quelques robinets de puisage de plus pour évacuer tout l'air de la tuyauterie. Quand l'eau coulera de façon régulière, fermer les robinets. La pression devrait monter à 40 lbf/po<sup>2</sup>, et le pressostat devrait alors se déclencher pour arrêter la pompe. Celle-ci est conçue pour tourner continûment lorsqu'il y a demande d'eau. Elle s'arrête seulement quand la demande prend fin. Si le pressostat ne se déclenche pas, il pourrait nécessiter un réglage.

 **DANGER** Le réglage du pressostat doit être effectué pendant que la pompe fonctionne. Il devrait être fait par un technicien qualifié habitué à travailler sur des appareils électriques « sous tension ». Déposer le couvercle de pressostat. Repérer le ressort le plus long et en tourner l'écrou (de  $\frac{3}{8}$  po) en sens antihoraire pour réduire la pression de déclenchement (d'arrêt). L'outil le plus sûr à utiliser à cette fin est un tourne-écrou à tige creuse, à défaut duquel le mieux serait une clé polygonale. Un tour complet équivaut à 2 lbf/po<sup>2</sup>. Une fois la pression de déclenchement réglée, on devra faire fonctionner la pompe pendant un cycle pour s'assurer qu'elle tourne sans arrêt quand il y a demande d'eau. Pour ce faire, ouvrir 2 ou 3 robinets de puisage pendant quelques minutes, puis les refermer. La pompe devrait atteindre une pression d'environ 40 lbf/po<sup>2</sup> avant de s'arrêter. Reposer et assujettir le couvercle du pressostat avec sa vis.

**Note :** les variations saisonnières extrêmes du niveau de l'eau du puits peuvent exiger le réglage du pressostat pour prévenir le fonctionnement cyclique rapide de la pompe et en permettre l'arrêt. Les directives de réglage se trouvent sur l'étiquette placée à l'intérieur du couvercle.

### ENTRETIEN

#### GARNITURE MÉCANIQUE

La garniture mécanique de l'arbre de la pompe ne peut être ajustée. Toute fuite d'eau continue ou régulière entre l'arbre et la garniture mécanique signifie que l'on doit remplacer la garniture. Pour ce faire, suivre les directives ci-dessus. Voir «*Éclaté et pièces de rechange*» pour le nom des pièces.

#### REMPLACEMENT DE LA GARNITURE MÉCANIQUE Démontage

Mettre le moteur de pompe hors tension au circuit de dérivation et débrancher les fils de ligne du pressostat. Fermer le robinet de la tuyauterie de la maison. Vidanger la pompe. Voir la marche à suivre à «*Entretien saisonnier*».

Déposer les 8 vis hexagonales retenant l'adaptateur de moteur au corps de pompe, puis séparer l'ensemble d'entraînement de la roue d'avec le corps de pompe. Voir la figure 4.

Placer l'ensemble d'entraînement de la roue sur une table ou sur une autre surface de travail pratique et enlever les vis de fixation du diffuseur, puis le diffuseur.



MOTEURS A.O. SMITH — déposer le couvercle d'extrémité du moteur. Bloquer l'arbre de moteur par ses méplats avec une clé ouverte de  $\frac{7}{16}$  po passée sous le contacteur (voir la figure 2). Dévisser (sens antihoraire) et enlever la roue de l'arbre.

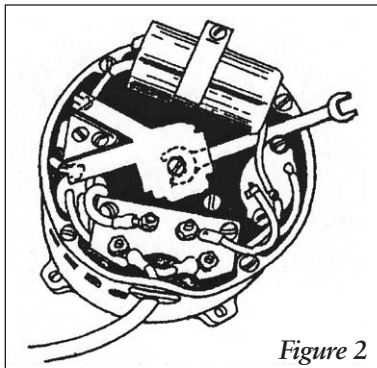


Figure 2

Retirer l'élément mobile de la garniture mécanique avec deux tournevis utilisés comme leviers. Voir la figure 3.



Figure 3

Avec deux tournevis plus petits servant de leviers, enlever ensuite l'élément fixe et la coupelle en buna du logement de garniture mécanique.

#### Remontage

S'assurer que logement de garniture mécanique est exempt de saletés et de tartre.

Appliquer une mince couche d'huile légère sur la bague en néoprène de l'élément fixe neuf et à l'intérieur du logement avant d'y insérer l'élément fixe. Ce dernier est du type à ajustement serré. On doit l'introduire d'équerre jusqu'au fond pour empêcher les fuites. On peut l'insérer avec ses pouces. Ne pas abîmer ni salir les surfaces d'étanchéité de la garniture, car celle-ci fuirait.

#### Éclaté de l'ensemble d'entraînement de la roue

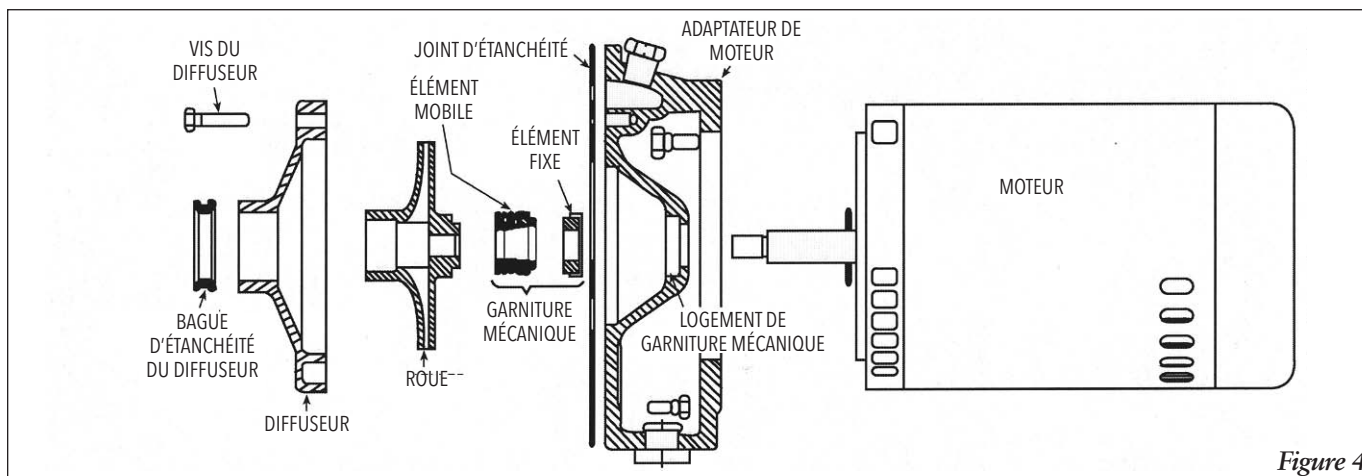


Figure 4

Enfiler l'élément mobile de la garniture sur l'arbre, la surface d'étanchéité en premier. Visser la roue en place pour pousser l'élément mobile contre l'élément fixe, puis s'assurer que la surface d'étanchéité de l'un est bien appuyée (d'équerre) contre celle de l'autre.

Placer le joint d'étanchéité sur l'adaptateur de moteur et aligner les trous de vis du joint sur ceux de l'adaptateur. Si le joint est endommagé ou très usé, le remplacer par un neuf.

Bloquer l'arbre de moteur (v. « Moteurs A.O. Smith » ci-dessus), puis y visser la roue à la main jusqu'à ce qu'elle soit appuyée contre l'épaule de l'arbre.

Reposer le diffuseur et, tout en tournant l'arbre de moteur pour s'assurer que l'alésage du diffuseur ne bloque pas le moyeu de roue, assujettir le diffuseur en serrant les vis uniformément et en alternance. S'il y a blocage, desserrer les vis et déplacer le diffuseur légèrement jusqu'à ce que la roue tourne librement, puis resserrer les vis (en alternance et uniformément).

Introduire l'ensemble d'entraînement de la roue dans le corps de pompe, sans abîmer ni plier le joint d'étanchéité de l'adaptateur. S'assurer que la bague d'étanchéité du diffuseur est bien en place sur le venturi.

Reposer et serrer uniformément les vis de fixation de l'adaptateur de moteur au corps de pompe.

Rebrancher les fils de ligne au pressostat.

Mettre du mastic pour joints de tuyaux sur les filets du bouchon de vidange du corps de pompe et reposer le bouchon.

REEMPLIR LA POMPE D'EAU AVANT DE LA REMETTRE EN MARCH. Voir « Amorçage ».

#### DIAGNOSTIC DES ANOMALIES

##### MAUVAIS FONCTIONNEMENT DE LA POMPE

Si, une fois que l'on a suivi les directives précitées, la BF03S de Goulds Water Technology ne fonctionne pas bien, la cause peut en être toute simple : par exemple un amorçage inadéquat, une fuite d'air dans la tuyauterie d'aspiration, la présence de corps étrangers dans le système, une tension électrique faible ralentissant trop le moteur de pompe, un débit de puits ou de source d'approvisionnement insuffisant, ou bien une hauteur d'aspiration excessive ou une conduite principale trop longue ou de diamètre trop réduit causant une perte de charge trop élevée. Les suggestions ci-après devraient être suivies dans l'ordre cité pour diagnostiquer les anomalies. S'assurer de procéder correctement au diagnostic à chaque étape avant de passer à l'étape suivante.

## DEBIT DE REFOULEMENT NUL

**NOTA :** les longues tuyauteries d'aspiration peuvent requérir un temps d'amorçage assez long avant que la pompe puisse en évacuer l'air et fournir un bon débit. En pareil cas, il faut toujours ouvrir un robinet de puisage pour permettre à l'air de sortir. Si l'entrée de la tuyauterie d'aspiration est munie d'un clapet de pied, on peut remplir la tuyauterie d'eau avant de démarrer la pompe pour raccourcir le temps d'amorçage.

1. Enlever le bouchon de l'orifice d'amorçage et vérifier par l'orifice s'il y a assez d'eau dans la pompe pour l'amorcer.  
**NOTA :** trois pintes (US) d'eau suffisent.
2. Vérifier si la source d'eau est suffisante et si l'entrée de la tuyauterie d'aspiration est dans l'eau, mais non enfouie dans la vase.
3. S'assurer que le moteur tourne bien dans le sens indiqué par la flèche sur le corps de pompe.
4. Séparer la tuyauterie d'aspiration d'avec le clapet de non-retour. Enfoncer la tige du clapet avec un doigt pour s'assurer que le clapet peut se déplacer librement et qu'aucun corps étranger ne l'empêche de bien fermer.
5. Disjoindre le tube de la soupape à air et visser un capuchon de valve de chambre à air (de pneu) sur la soupape. Si l'amorçage s'effectue ensuite correctement, cela signifie que les raccords du tube ont été endommagés et permettent à l'air d'entrer sans arrêt dans la pompe. En reposant le tube, prendre garde de ne pas en fausser les filets des raccords et s'assurer que ces derniers sont étanches. Voir la figure 5 et les directives et autres illustrations pertinentes pour raccorder le tube.

## PRESSON D'ASPIRATION INAPPROPRIÉE

Séparer le tube d'avec la soupape à air, enlever la soupape et visser dans son orifice de fixation (de 1/8 po de diamètre) un vacuomètre. Voir la figure 1. Mettre la pompe en marche et vérifier si le vacuomètre indique une dépression. Si non,

- a) il y a fuite dans la tuyauterie d'aspiration ;
- b) l'entrée du tuyau d'aspiration n'est pas immergée.

Si la valeur de dépression mesurée par le vacuomètre est de 25 po et plus,

- a) la crépine montée à l'entrée du tuyau d'aspiration est bloquée ou enfouie dans la boue ;
- b) le clapet de non-retour de la tuyauterie d'aspiration est bouché ou ne s'ouvre pas ;
- c) la hauteur d'aspiration est trop grande pour permettre un fonctionnement adéquat.

Si la dépression mesurée en pieds est inférieure à la distance verticale entre la pompe et l'eau, il y a une fuite, que l'on doit repérer et colmater. La plupart des fuites sont dues à des raccords unions métal à métal et à des tuyaux et raccords fissurés. Vérifier d'abord ces points, puis effectuer les réparations nécessaires.

Enlever le vacuomètre, reposer la soupape à air, raccorder le tube à la soupape et s'assurer que tous les raccords du côté aspiration sont étanches.

Si, après la repose du tube, la pompe ne fonctionne pas correctement, il y a fuite dans les raccords du tube.

## BESOINS EN EAU NULS, DÉBIT DE REFOULEMENT ADÉQUAT, MAIS NON-ARRÊT DE LA POMPE PAR LE PRESSOSTAT

Pour déterminer la cause de cette anomalie, procéder comme suit :

1. Si la tuyauterie de la maison a un robinet principal, le fermer. Si la pompe s'arrête ensuite, il y a fuite dans la tuyauterie en question. Vérifier si les robinets de puisage, la soupape de chasse d'eau des toilettes, etc. fuient.
2. S'assurer que le moteur tourne bien dans le sens indiqué par la flèche sur le corps de pompe.
3. Vérifier si la hauteur d'aspiration du système est excessive en suivant les indications de la section « *PRESSON D'ASPIRATION INAPPROPRIÉE* ». Si la hauteur d'aspiration dépasse celle de la pompe, on doit la réduire en installant la pompe plus près de la source d'approvisionnement.
4. Le réglage de pressostat est peut-être nécessaire. Suivre les directives pertinentes pour le régler.
5. Vérifier si de l'air pénètre dans la tuyauterie d'aspiration. *Pour ce faire, « DEBIT DE REFOULEMENT NUL ».*
6. Les raccords et le tube reliant la soupape à air et le régulateur de volume d'air fuient peut-être.
7. La tuyère et le venturi de l'éjecteur sont peut-être obstrués. Pour les examiner, procéder comme suit :
  - a) Déconnecter les fils de ligne du pressostat, fermer le robinet-vanne du tuyau de refoulement et vidanger la pompe ;
  - b) Déposer les 8 vis de fixation de l'adaptateur de moteur au corps de pompe, puis séparer l'ensemble d'entraînement de la roue d'avec le corps de pompe ;
  - c) Disjoindre les tuyaux d'aspiration et de refoulement du corps de pompe, ainsi que le tube de la soupape à air ;
  - d) Enlever les 4 vis d'assemblage assujettissant la plaque-éjecteur (avec tuyère et venturi) au corps de pompe, puis retirer le tout du corps de pompe ;
  - e) Au besoin, dévisser le venturi au moyen d'un serre-tube à sangle ou d'une clé à tuyau ;
  - f) Déposer la tuyère avec une clé à douille de 5/8 po ;
  - g) Vérifier le numéro estampé sur la tuyère. Il devrait être 015.

Lorsqu'on repose la tuyère et le venturi, s'assurer qu'ils sont tous deux vissés à fond étant donné que leur épaulement doit être bien appuyé contre la surface usinée de leur support pour maintenir l'écart approprié entre les deux. Ce point est très important pour le bon fonctionnement de la pompe.

**NOTA :** il est recommandé de lubrifier les filets du venturi avec de l'eau. Voir à ne pas fausser les filets et à visser le venturi jusqu'à ce que son épaulement soit bien appuyé contre son support.

**ATTENTION** En remontant la pompe, s'assurer que les joints d'étanchéité sont en bon état et bien placés et que la bague d'étanchéité du diffuseur est en place sur le venturi.

## BESOINS EN EAU NULS, DÉBIT DE REFOULEMENT ADÉQUAT, MAIS NON-ARRÊT DE LA POMPE

Si l'on a réglé le pressostat de nombreuses fois pendant une longue période et que l'anomalie survienne encore, il est probable que le jeu radial entre le moyeu de roue et le diffuseur est excessif. Déposer l'ensemble d'entraînement de

la roue et vérifier le jeu. Si ce dernier est excessif (supérieur à 0,020 po) ou si la roue et le diffuseur comportent des rayures profondes, on devrait remplacer ces pièces par des neuves pour redonner à la pompe ses performances initiales.

### BESOINS EN EAU NULS, MAIS DÉMARRAGES ET ARRÊTS FRÉQUENTS DE LA POMPE

1. Inspecter toute la tuyauterie de la maison pour vérifier si elle fuit, y compris les composants tels que les robinets de puisage, la soupape de chasse d'eau des toilettes, etc. Réparer les fuites.
2. Examiner le clapet de non-retour de la tuyauterie d'aspiration. Tout corps étranger empêchant le clapet de bien se refermer videra la pompe et la forcera donc à redémarrer fréquemment. S'assurer que le clapet se déplace librement et ferme correctement.
3. Les démarrages et arrêts fréquents quand les besoins en eau sont nuls peuvent être dus à l'élimination du matelas d'air (dans la chambre à air), causée par le mauvais fonctionnement du régulateur de volume d'air ou de la soupape à air.
4. Si la chambre à air est pleine d'eau quand les besoins en eau sont nuls, ce qu'indiquent les démarrages et arrêts fréquents de la pompe, reconstituer le matelas d'air en séparant le tube d'avec la soupape à air, en ouvrant un robinet de puisage et en faisant fonctionner la pompe jusqu'à ce que de l'air commence à sortir par le robinet. Laisser ensuite la pompe en marche, puis raccorder le tube à la soupape à air. Pour empêcher cette anomalie de survenir de nouveau, s'assurer du bon fonctionnement de la soupape à air et du régulateur de volume d'air.

### RÉGULATEUR DE VOLUME D'AIR (RVA)

*Le régulateur de volume d'air de la BF03S n'est pas un modèle standard. S'assurer d'employer le modèle spécial fourni par Goulds Water Technology pour la BF03S, car il est muni d'un dispositif de réglage à ressort adapté.*

#### NÉCESSITÉ DU RVA

L'écoulement turbulent de l'eau dans la pompe absorbe progressivement l'air de la chambre à air. Sans admission d'air, la chambre se remplirait graduellement d'eau.

Le régulateur de volume d'air et la soupape à air des pompes pour systèmes d'alimentation en eau à débit équilibré sont des éléments essentiels de ces pompes. Tous les raccords du RVA et de la soupape à air doivent être étanches. Si ces éléments ne peuvent fonctionner correctement, la pompe ne le pourra non plus.

#### FONCTIONNEMENT

Le RVA (1) est vissé à l'orifice de la chambre à air. Il doit être relié par un tube à la soupape à air (2), montée sur la plaque-éjecteur. Voir la figure 5.

Le régulateur de volume d'air est actionné par le levier d'un flotteur montant avec le niveau d'eau de la pompe. Quand le flotteur monte, l'autre extrémité de son levier, située hors de la chambre à air, abaisse la tige du RVA, ouvrant celui-ci et permettant l'écoulement de l'air dans le tube. La pression d'aspiration de la pompe attire alors l'air dans le tube par le RVA et par un trou percé dans la plaque signalétique, puis dans la pompe par la soupape à air. L'air admis monte dans la partie supérieure de la pompe, soit la chambre à air.

Quand il y aura suffisamment d'air dans la chambre, le niveau d'eau sera égal ou inférieur au niveau de la soupape

du RVA, celle-ci se refermera, et l'admission d'air ne reprendra qu'au besoin.

### CHAMBRE À AIR PLEINE D'EAU

La pompe est pleine d'eau quand il n'y a plus de matelas d'air dans la chambre à air. En voici les causes.

1. Orifice obstrué, mécanisme de soupape à air ou de RVA endommagé, ou bien flotteur cassé. Vérifier le régulateur de volume d'air et la soupape à air comme suit:
  - a) Séparer le tube d'avec le RVA. Lorsque la pompe fonctionne, de l'air devrait être aspiré dans le tube. Si non, la soupape à air pourrait être obstruée ;  
**ATTENTION** Une hauteur d'aspiration est nécessaire pour que la pompe puisse aspirer de l'air dans le tube. Voir «INSTALLATION AVEC HAUTEUR TOTALE DE CHARGE POSITIVE À L'ASPIRATION».
  - b) Déposer la soupape à air et injecter de l'air sous pression dans celle-ci par l'orifice d'admission de l'air (côté tube). Si la soupape est obstruée, en retirer et nettoyer le mécanisme. Remplacer celui-ci au besoin ;
  - c) Enlever la soupape du régulateur de volume d'air et en retirer le mécanisme. Regarder à l'intérieur du corps de soupape. Si la lumière n'y passe pas, l'orifice calibré est obstrué. Le déboucher avec une aiguille ou un fil de métal très fin. Si l'on n'y parvient pas, remplacer le corps de soupape par un neuf.

Remplacer le mécanisme de la soupape de RVA par un neuf s'il est endommagé.

2. Un flotteur percé, un levier de flotteur cassé ou une membrane de levier de flotteur perforée causeront le mauvais fonctionnement du RVA. Au besoin, remplacer ces pièces par des pièces neuves.

### FUITE D'EAU DANS LE RVA

1. Séparer le tube d'avec le régulateur de volume d'air. S'il y a une fuite d'eau dans le tube, la soupape à air en est la source. Remplacer le mécanisme de la soupape. Voir la figure 5.
2. S'il y a une fuite d'eau dans le RVA quand le tube en est disjoint, le RVA en est la source et devrait être remplacé.

### ENTRETIEN SAISONNIER

#### MISE HORS SERVICE

Si la pompe est installée dans un chalet d'été ou toute construction ne servant pas durant l'hiver, vidanger la pompe complètement pour empêcher le gel de l'endommager pendant cette période. Procéder comme suit :

1. Couper l'alimentation du circuit de dérivation du moteur de pompe.
2. Vidanger la tuyauterie du chalet.
3. Dévisser le raccord union de la tuyauterie d'aspiration et vidanger celle-ci. Si l'entrée de la tuyauterie est munie d'un clapet de pied, on doit enlever le clapet pour vidanger l'eau de la tuyauterie.
4. Déposer le bouchon de vidange, situé au bas corps de pompe, et laisser la pompe se vider complètement, ce qui prendra moins de temps si l'on dépose aussi le bouchon d'amorçage. S'assurer qu'il n'y a ni vase, ni tartre, ni corps étranger dans l'orifice de vidange. S'il y en a, nettoyer l'orifice avec un clou ou un fil de fer raide pour que l'eau s'écoule facilement.
5. Une fois l'eau sortie de la pompe, reposer les bouchons.

## REMISE EN SERVICE

1. Mettre du mastic pour joints de tuyaux sur les filets des bouchons (amorçage et vidange) et visser ceux-ci à fond.
2. Si les tuyaux d'aspiration ont été retirés du puits, les raccorder. Examiner les surfaces d'étanchéité des raccords unions métal à métal. Si elles comportent des rayures, des piqûres ou des imperfections, employer du caoutchouc en feuilles comme garniture pour étancher les raccords. Reposer le clapet de pied.

3. Déposer le couvercle d'extrémité du moteur, insérer un tournevis dans la fente du bout de l'arbre et tourner celui-ci en sens horaire pour s'assurer qu'il tourne librement.
4. Amorcer et démarrer la pompe. Voir les directives de réglage du pressostat et d'amorçage et de mise en service de la pompe.

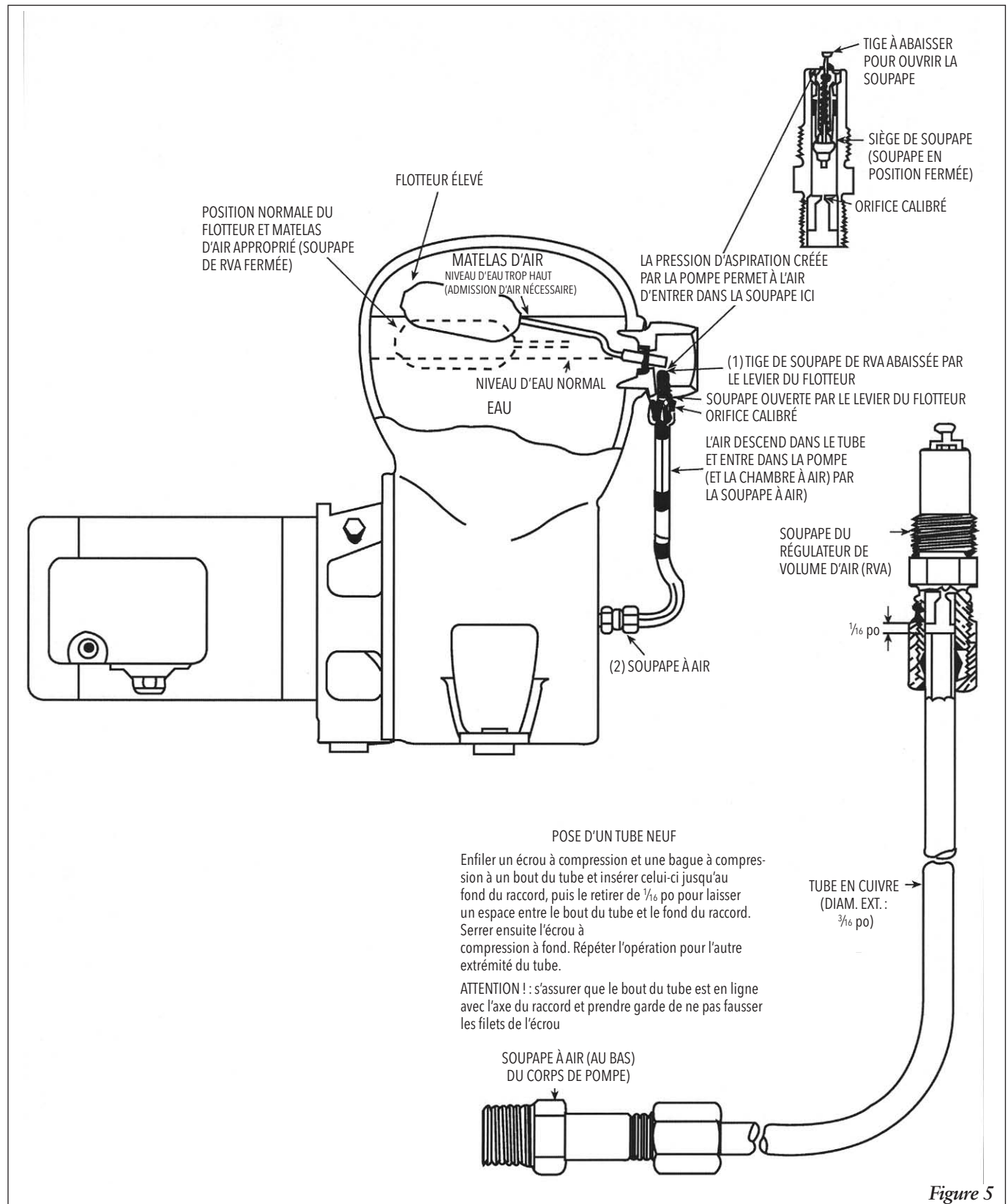
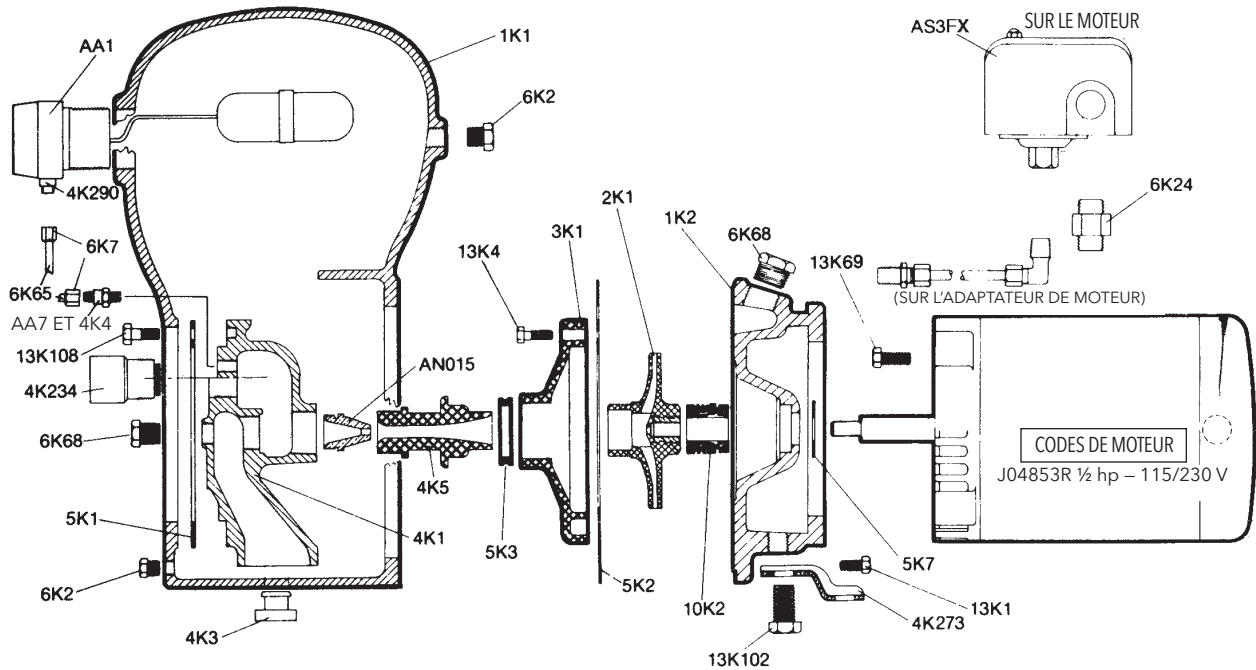


Figure 5

# ÉCLATÉ ET PIÈCES DE RECHANGE



N° de pièce	Nom de pièce	N° de moule
1K1	Corps de pompe et bouchon	52125
1K2	Adaptateur de moteur bouchon et patte	52932
2K1	Roue	
3K1	Diffuseur	
4K1	Plaque-éjecteur	52126
4K3	Isolant en caoutchouc (facultatif)	
4K4	Mécanisme (boîte de 12) de soupape à air (AA7)	
4K5	Venturi	
4K273	Patte	
4K234	Clapet de non-retour	
4K290	Mécanisme de soupape de RVA (AA1)	
5K1	Joint d'étanchéité de la plaque-éjecteur	
5K2	Joint d'étanchéité du corps de pompe	
5K3	Bague d'étanchéité du diffuseur	
5K7	Défecteur	
5K175	Joint torique du raccord de la soupape AA7	

N° de pièce	Nom de pièce	N° de moule
6K2	Bouchon, 1/4 po, NPT	
6K7	Écrou à compression du raccord de la soupape AA7 (va avec 5K175)	
6K24	Raccord et écrou pour le pressostat	
6K65	Tube reliant le RVA à la soupape à air (diam. ext. : 3/16 po)	
6K68	Bouchon, 1/2 po, NPT	
6K92	Tube du pressostat, en polypropylène	
6K94	Raccord coudé	
6K100	Raccord droit	

N° de pièce	Nom de pièce	N° de moule
10K2	Garniture mécanique	
13K1	Vis (corps de pompe-adaptateur de moteur)	
13K4	Vis (diffuseur-adaptateur de moteur)	
13K69	Vis (moteur-adaptateur de moteur)	
13K102	Vis (patte-adaptateur de moteur)	
13K108	Vis (corps de pompe-plaque-éjecteur)	
AA1	Régulateur de volume d'air (RVA) – inclut 4K290	
AA7	Soupape à air (comprend 4K4)	
AN015	Tuyère	
AS3FX	Pressostat	





### GARANTIE LIMITÉE DE GOULDS WATER TECHNOLOGY

La présente garantie s'applique à chaque pompe de système d'alimentation en eau fabriquée par Goulds Water Technology.

Toute pièce se révélant défectueuse sera remplacée sans frais pour le détaillant durant la période de garantie suivante expirant la première : douze (12) mois à compter de la date d'installation ou dix-huit (18) mois à partir de la date de fabrication.

Le détaillant qui, aux termes de la présente garantie, désire effectuer une demande de règlement doit s'adresser au distributeur Goulds Water Technology agréé chez lequel la pompe a été achetée et fournir tous les détails à l'appui de sa demande. Le distributeur est autorisé à régler toute demande par le biais du service à la clientèle de Goulds Water Technology.

**La garantie ne couvre pas :**

- a) les frais de main-d'œuvre ni de transport ni les frais connexes encourus par le détaillant ;
- b) les frais de réinstallation du matériel réparé ;
- c) les frais de réinstallation du matériel de remplacement ;
- d) les dommages indirects de quelque nature que ce soit ;
- e) ni les pertes découlant de la panne.

**Aux fins de la garantie, les termes ci-dessous sont définis comme suit :**

- 1) « Distributeur » signifie une personne, une société de personnes, une société de capitaux, une association ou autre entité juridique servant d'intermédiaire entre Goulds Water Technology et le détaillant pour les achats, les consignations ou les contrats de vente des pompes en question.
- 2) « Détaillant » veut dire une personne, une société de personnes, une société de capitaux, une association ou autre entité juridique dont les activités commerciales sont la vente ou la location de pompes à des clients.
- 3) « Client » désigne une entité qui achète ou loue les pompes en question chez un détaillant. Le « client » peut être une personne, une société de personnes, une société de capitaux, une société à responsabilité limitée, une association ou autre entité juridique se livrant à quelque activité que ce soit.

**LA PRÉSENTE GARANTIE SE RAPPORTE AU DÉTAILLANT SEULEMENT.**



Xylem, Inc.  
2881 East Bayard Street Ext., Suite A  
Seneca Falls, NY 13148  
Téléphone: (866) 325-4210  
Télécopie: (888) 322-5877  
[www.xylem.com/brands/gouldswatertechnology](http://www.xylem.com/brands/gouldswatertechnology)

Goulds est une marque déposée de Goulds Pumps, Inc. et est utilisé sous le permis.  
© 2012, Xylem Inc. IM129 Révision numéro 1 Juillet 2012