

*Frigidaire*

Factory Parts Catalog

Product No.	LTF6000ES0
Series	Frigidaire
Market	North America
Color	white
Volts	115
Wiring Diagram	134604100
Owner's Guide	134610900
Energy Guide	134610500
Installation Instructions	134610800
Operating Instructions	134610700

 **Electrolux**

Electrolux Major Appliances  
North & Latin America  
P.O. BOX 212378  
AUGUSTA, GA 30917

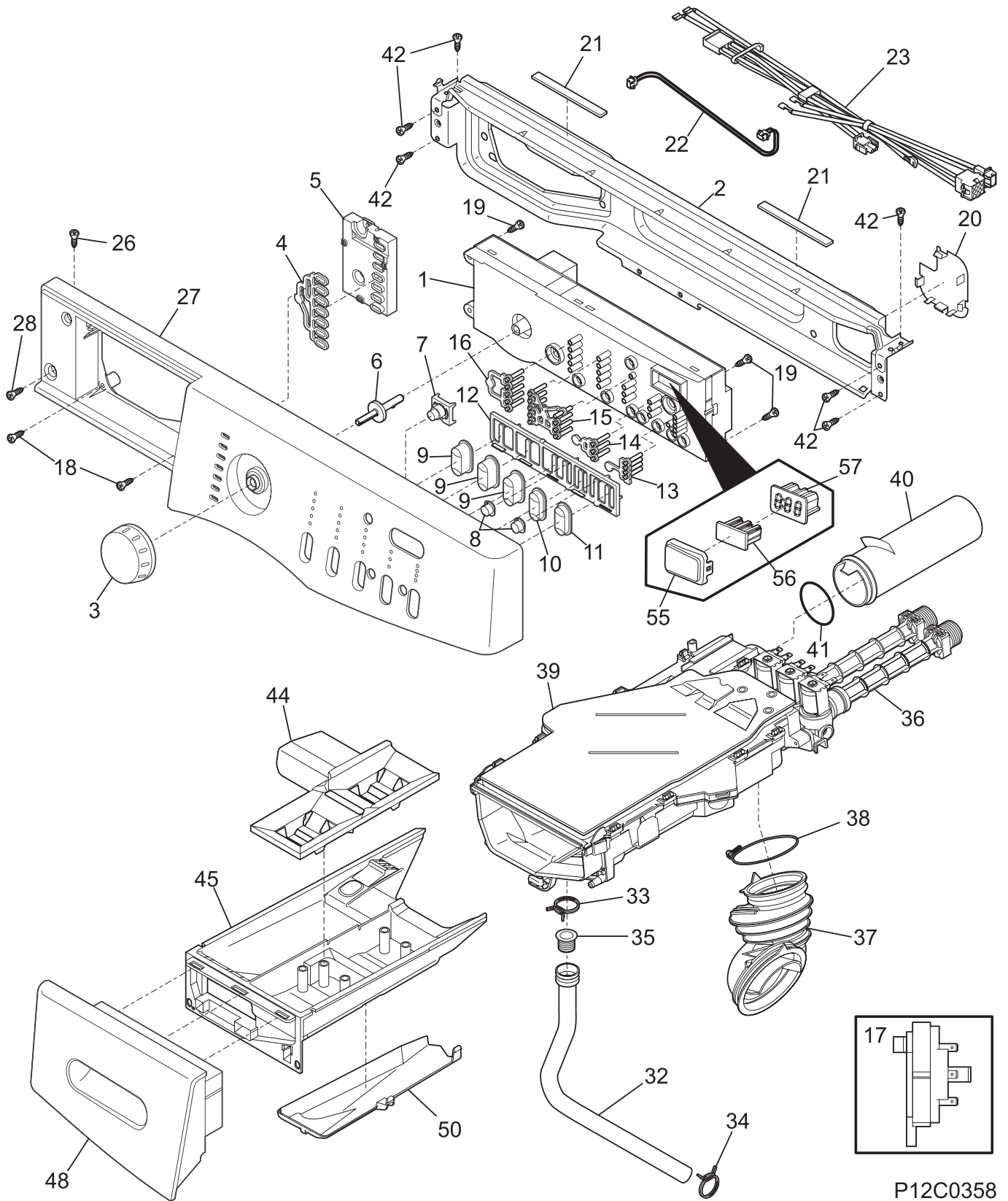
Publication No.  
**5995460598**  
06/02/09  
(EN/SERVICE/KC)  
361

**FRONT-LOAD  
WASHING MACHINE**

Model No.  
LTF6000E

Copyright © 2006 Electrolux Home Products, Inc.  
All rights reserved.

### CONTROL PANEL

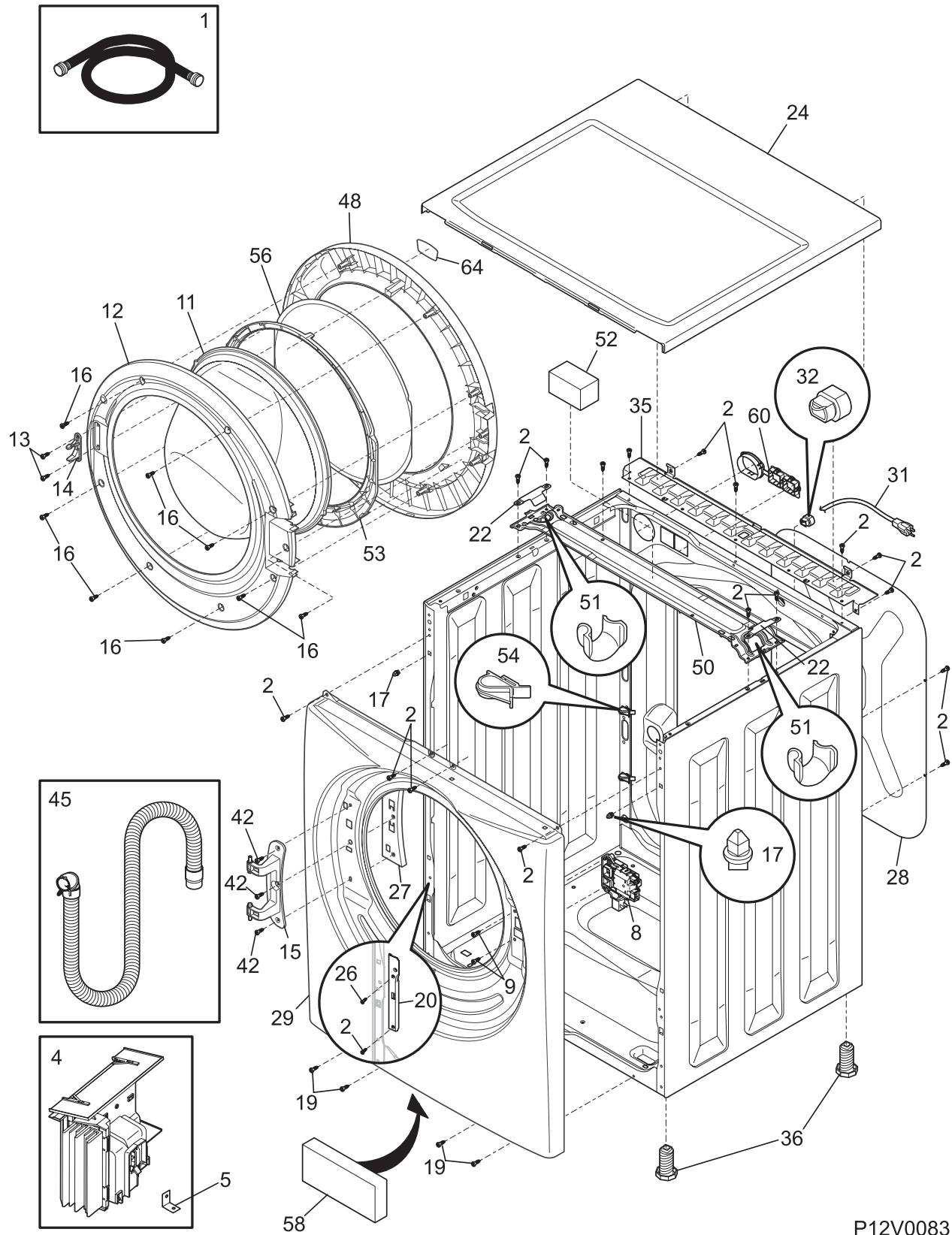


## CONTROL PANEL

---

POS. NO	PART NO.	DESCRIPTION
1 #	134523106	Control Board, pc, with housing
2	134364800	Bracket, top front
3	134551200	Knob, program
4	134553100	Light Pipe, program
5 #	134556500	Interface Board, pc, auxiliary
6	134347700	Pin, program knob
7	134555600	Push Button, round, #2
8	134555500	Push Button, round, #1
9	134553400	Push Button, oval, #1
10	134555400	Push Button, oval, #2 (soil)
11	134595600	Push Button, oval, start
12	134553300	Spring, push button
13	134557500	Light Pipe, start group
14	134557400	Light Pipe, row of 3
15	134552800	Light Pipe, 5 x 4
16	134600000	Light Pipe, row of 5
17 #	134407800	Switch, pressure, analog
18	131302800	Screw, 10-16AB x 0.375
19	134402900	Screw, phillips, 6-19 x 0.650
20	134452600	Cover, hole plug
21	134407900	Dampener, vibration
22 #	134602100	Wiring Harness, interface board
23 #	134436600	Wiring Harness, controls
23*#	134543100	Wiring Harness, main
26	131205100	Screw, #8 pan head, 10-10B x 0.500, cr/sq drive
27	134593300	Panel, control console
28	131205300	Screw, 10-16 x 0.750
32	134371700	Hose, disp-to-bellows
33	131306216	Clamp
34	134446300	Clamp, hose, bellows
35	134371800	Gasket, disp hose seal
36 #	134371220	Valve, dispenser, NTC/short tube
36*	131311900	Screw, quadrex ph, 8-18AB x 0.500
37	134372300	Hose, disp-to-tub
38	134372400	Clamp, tub hose
39	134446120	Housing, dispenser, w/valve, cover
39*	134371300	Gasket, disp-to-valve
40	134372100	Tube, disp-to-overflow
41	134372200	O-ring, overflow tube
42	131168200	Screw, pan head, 8-18B x 0.31
44	134370200	Cover, dispenser
45	134370000	Drawer, dispenser
48	134556700	Handle/Drawer Assy
48*	134555800	Pad, drawer handle, soft touch
50	134370100	Conveyor, dispenser, lower
55	134553200	Lens, digital display
56	134557300	Light Pipe, digital display
57 #	134503300	Display, digital

CABINET/TOP

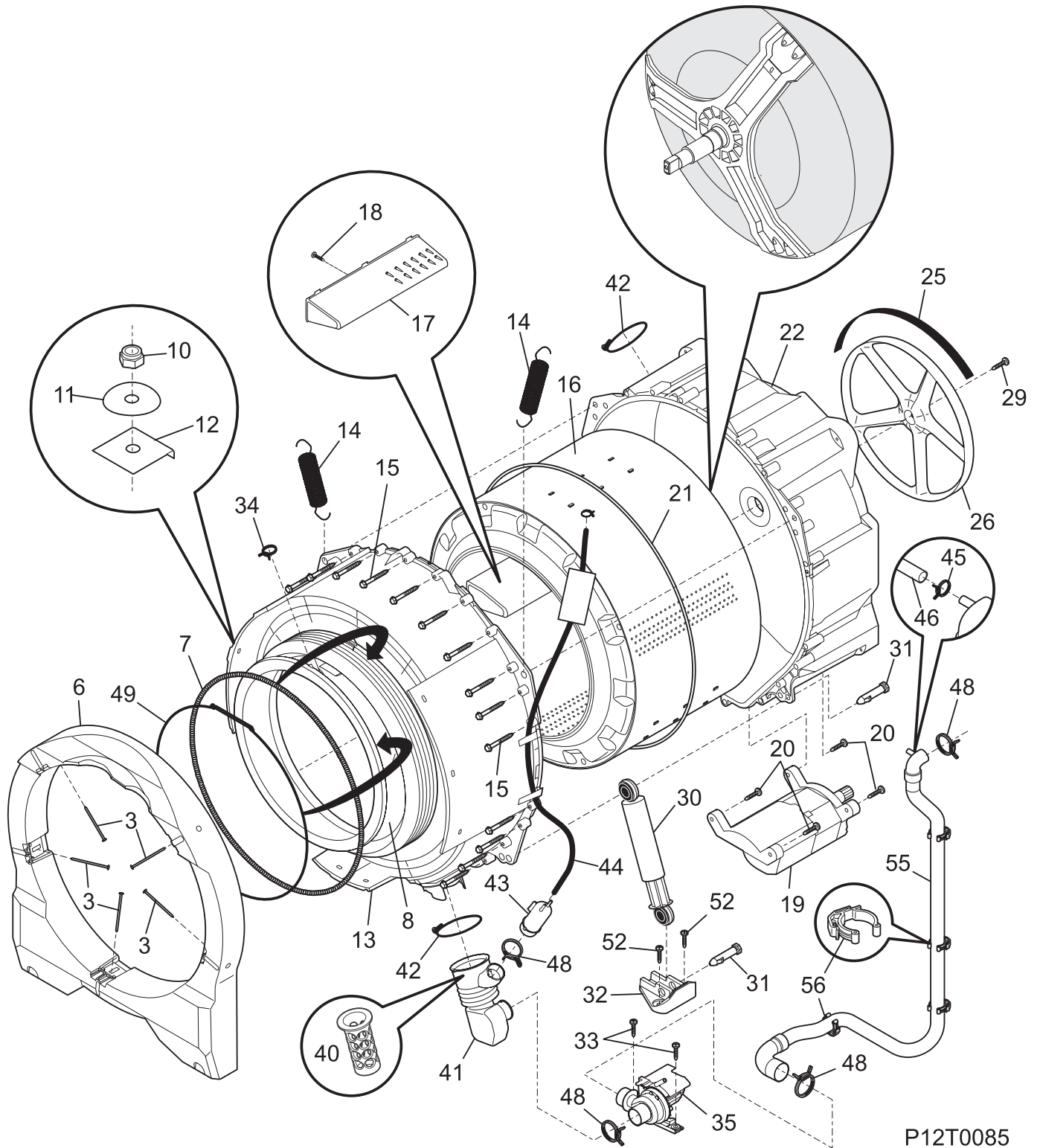


P12V0083

**CABINET/TOP**

POS. NO	PART NO.	DESCRIPTION
1	131454100	Hose, water inlet, 4 ft., hose & washer
2	131168200	Screw, pan head, 8-18B x 0.31
4 #	134591200	Control Board, motor
4* #	134547600	Wiring Harness, motor control
5	134522900	Bracket, angle, motor control
5*	134178901	Screw, 8-18AB x 0.455
8 #	131763245	Door Lock/Switch Assy
8* #	134606800	Wiring Harness, door switch
9	131303300	Screw, pan head, 10-16AB x 0.500, locking
11	134366400	Panel, door glass
12	134550700	Frame, inner door
13	131302901	Screw, 10-16 x 0.750
14	131763310	Striker, door/lock/sw
15	134550800	Hinge, door, with bushings
16	131205300	Screw, 10-16 x 0.750
17	134408700	Clip, assembly
19	131258400	Screw, 10-16AB x 0.500
20	134434901	Bracket, LS panel, reinforcement
20*	134434900	Bracket, RS panel, reinforcement
22	134364700	Retainer, spring steel
24	134365000	Panel, work top, white
26	134521600	Screw, hex washer head, M5 0.8 x 15
27	134550900	Bracket, hinge, reinforcement
28	134364300	Panel, service access, rear
29	134550110	Panel, cabinet front, white
31 #	134501000	Power Cord, electric svce
32	5303209428	Bushing, power cord
35	134365100	Bracket, top support, rear
36	134548800	Leveling Leg, screw, plastic
42	134601900	Screw, flat head, M5 x .8 x 17.5
45 #	134369400	Hose, drain, external
48	134550500	Panel, outer door, white
48*	134554500	Pad, outer door
50	134364600	Bracket, tub suspension
51	134562100	Protector, tub brkt, spring hook, (2)
52	131931202	Dampener, vibration, foam
53	134551300	Ring, door transition
54	134364900	Fastener, wire harn clip
56	134550600	Glass, outer door lens
58	131800405	Insulation, noise absorber
60	134372000	Grommet, dispenser, back panel
64	134601600	Nameplate, Affinity
*	134596200	Shipping Support Kit
*	134591500	Plug Assy, shipping holes, back

MOTOR/TUB



P12T0085

**MOTOR/TUB**

POS. NO	PART NO.	DESCRIPTION
3	131793303	Bolt, carriage, 1/4-20 x 2.60
6	134362200	Counterweight, front, one piece
7	134365300	Spring, bellows clamp, retainer
8 #	134515300	Bellows Kit, boot, no light hole
10	131304700	Nut, hex, 1/4-20 UNC-2B, (2)
11	131276900	Washer, Bellville, spring steel
12	134430600	Plate, counterweight
13	134362000	Shell, tub, front
14 #	134362800	Spring Assy, suspension
15	134408300	Screw, hex head, 6.5 x 51 mm
16	134360910	Drum Assy, spin basket
17	134509600	Vane Kit, drum
18	131302800	Screw, 10-16AB x 0.375
19 #	134362500	Motor, 120 V
20	131303500	Screw, 12-14AB x 1.50, motor mtg.
21	134361900	O-ring, tub
22	134509500	Shell, outer tub, rear, w/bearing, seal
25 #	134051001	Belt, drive, poly-V, 6-rib
26 #	134362600	Pulley, drum drive, large, rear
29	134408400	Screw, 10.9 class, M10 x 25 mm
30	134560400	Shock Absorber, dual stage
31	131268300	Pin, shock mtg.
32	134363200	Bracket, shock mtg.
33	134160900	Screw, quadrex, 10-16AB X 0.750
34	134446300	Clamp, hose, bellows
35 #	134051200	Pump, drain
40	134565200	Filter, pump
41	134455900	Hose, drain, tub>pump, coin trap
42	131333101	Clamp
43	134369000	Chamber, air
44	134369900	Hose, air pressure
45	131306202	Clamp, hose
46	134436100	Syphon Brake, hose, with clamps
48	131306234	Clamp, pump to trap
49	134527100	Clamp, bellows, spring held
52	131202300	Screw, 10-16AB x 0.625
55	134458300	Hose, internal drain
56	134369800	Fastener, hose clip, (3)
56*	134261300	Clip, drain hose, push-mount
*	134610500	Energy Guide

WIRING DIAGRAM

**WARNING** TO REDUCE THE RISK OF ELECTRICAL SHOCK DISCONNECT THIS APPLIANCE FROM THE POWER SUPPLY BEFORE ATTEMPTING ANY USER MAINTENANCE. TURNING THE CONTROLS TO THE OFF POSITION DOES NOT DISCONNECT THIS APPLIANCE FROM THE POWER SUPPLY.

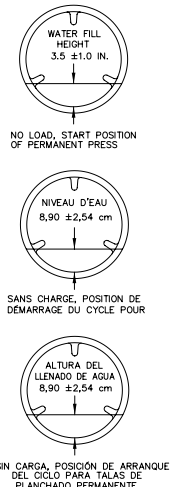
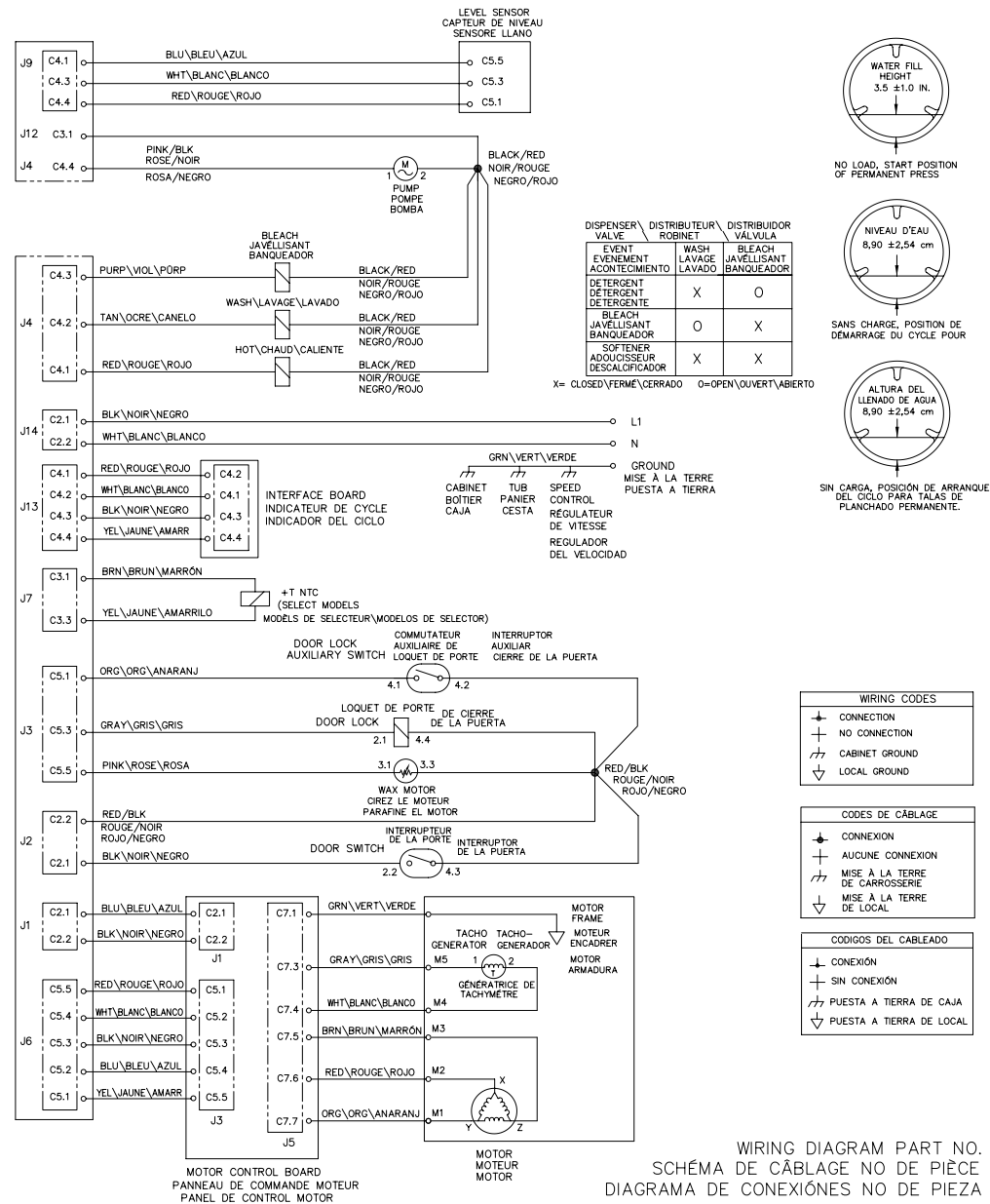
**AVERTISSEMENT** POUR RÉDUIRE LE RISQUE DE CHOC ÉLECTRIQUE, DÉBRANCHER CET APPAREIL DE L'ALIMENTATION ÉLECTRIQUE AVANT DE PROCÉDER À L'ENTRETIEN. EN TOURNANT LES COMMANDES À LA POSITION ARRÊT, L'ON NE COUPE PAS L'ALIMENTATION ÉLECTRIQUE DE L'APPAREIL.

**ADVERTENCIA** PARA REDUCIR EL RIESGO DE CHOQUE ELÉCTRICO, DESENCHUFE ESTE APARATO DE LA ALIMENTACIÓN ELÉCTRICA ANTES DE EFECTUAR EL MANTENIMIENTO. AL GIRAR LOS CONTROLES A LA POSICIÓN OFF (APAGADO) NO SE CORTA LA ALIMENTACIÓN ELÉCTRICA AL ARTEFACTO.

COMPONENT RESISTANCE TABLE	
ELECTRICAL COMPONENT	RESISTANCE Ω @ 77° F
DOOR LOCK SOLENOID	1325 ±10%
PUMP MOTOR	12.0 ±7%
DISPENSER VALVE SOLENOIDS	800 ±7%
MOTOR	M1 TO M2 5.3 ±7%
	M2 TO M3 5.3 ±7%
	M1 TO M3 5.3 ±7%
	M5 TO M4 118 ±7%

TABLEAU DE RÉSISTANCE DES COMPOSANTS	
COMPOSANT ÉLECTRIQUE	RÉSISTANCE Ω @ 25° C
SOLENOÏDE DU LOQUET DE PORTE	1325 ±10%
MOTEUR DE POMPE	12.0 ±7%
SOLENOÏDE DU ROBINET DISTRIBUTEUR	800 ±7%
MOTEUR	M1 VERS M2 5.3 ±7%
	M2 VERS M3 5.3 ±7%
	M1 VERS M3 5.3 ±7%
	M5 VERS M4 118 ±7%

TABLA DE RESISTENCIA DE LOS COMPONENTES	
COMPONENTE ELÉCTRICO	RESISTENCIA Ω @ 25° C
SOLENOIDE DE CIERRE DE LA PUERTA	1325 ±10%
BOMBA DE MOTOR	12.0 ±7%
SOLENOIDE DE LA VALVULA DEL DISTRIBUIDOR	800 ±7%
MOTOR	M1 A M2 5.3 ±7%
	M2 A M3 5.3 ±7%
	M1 A M3 5.3 ±7%
	M5 A M4 118 ±7%



WIRING DIAGRAM PART NO. SCHEMA DE CÂBLAGE NO DE PIÈCE DIAGRAMA DE CONEXIONES NO DE PIEZA 134604100