

Front Load Washer

FRFW3700L W

10 Wash Cycles
 3.21 D.O.E. Cu. Ft./
 3.7 I.E.C. Cu. Ft.



Optional Pedestal Drawer Shown

Product Dimensions

Height	36"
Width	27"
Depth	27-3/4"

More Easy To Use Features

Ready-Select® Controls

It's easy to get laundry started with just the touch of a button.

Stainless Steel Drum

Smooth, durable interior is rust-proof and won't snag clothes.

Quick Laundry

Wash and dry a full load in just 60 minutes.

Stain Clean Option

Multiple Wash Cycles

End-Of-Cycle Signal

Automatic Water Level Control

SilentDesign™

Stay-Fresh Antimicrobial Seal

Optional Pedestal Drawer

8-Hour Delay Start

Auto Options



ENERGY STAR®

Available in:



Classic White (W)

Signature Features

King-Size Capacity

Wash two baskets of laundry in a single load.

TimeWise™

Wash time equals dry time — so you don't wait for clothes to dry.

Advanced Rinse Technology

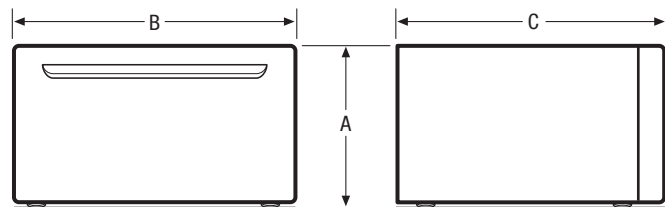
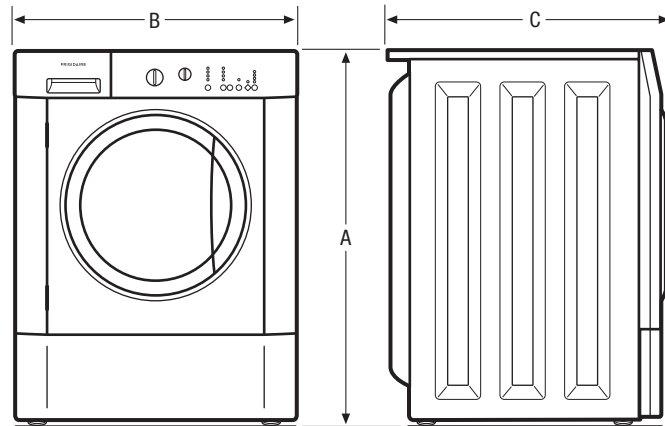
Final rinse uses fresh water to ensure whiter whites and reduce allergens.

Tumble Action Cleaning System

By removing the agitator, you can count on the tumble action to wash gently and rinse completely, ensuring your clothes feel fresher and last longer.

Features	
Total Capacity D.O.E./I.E.C. (Cu. Ft.)	3.21/3.7
Controls	Ready-Select®
Washer Drum Interior	Stainless Steel
Interior Light/Door Trim	No/White
Vibration Control System	Yes
Wash System	Tumble Action
Advanced Rinse Technology	Yes
TimeWise™ Technology	Yes
Ready Clean™/Ready Steam™	
Freshwater Rinse	
Stay-Fresh Antimicrobial Seal	Yes
Automatic Temperature Control	Yes
Automatic Water Level Adjustments	
Auto Prewash Detergent Dispenser	
Auto Bleach Dispenser	Yes
Auto Detergent Dispenser	Yes
Auto Fabric Softener Dispenser	Yes
Time Remaining Indicator	
Cycle Status Lights	Yes
Cycle Signal/Cycle Signal "On/Off"	Yes/Yes
Cycle Signal Volume Control	Yes
Door Lock Indicator Light	Yes
Control Lock/Stay-Put Door	Yes/No
Start/Pause/Cancel Buttons	Yes
Energy Saver Option	
Delay Start	8 Hours
Integral Water Heater	
Tumble Speed (RPM)	33/47
Spin Speed (Maximum RPM)	950
Sound Package	SilentDesign™
Adjustable Leveling Legs	Yes
Cycles	
Wash Cycles/Specialty Cycles	10/0
Options	
Water Temperature Selections	3
Water Levels	
Spin Speed/Soil Level Selections	4/3
Allergen	
Optional Accessories	
Dryer Stacking Kit	PN# STACKIT7
15" Frigidaire Affinity® Pedestal Drawers	
Classic Black (B)	
Classic White (W)	(W) PN# CFPWD15W
Mobile Home Installation Kit	PN# 137067200
Drain Hose Extension Kit	PN# 137098000
Certifications	
ENERGY STAR®	Yes
NSF® Certified Sanitize/Allergen	
Specifications	
Power Supply Connection Location	Right Top Rear
Water Inlet Connection Location	Left Top Rear
Voltage Rating	120V/60Hz/15A
Connected Load (kW Rating) @ 120 Volts	1.4
Watts @ 120 Volts/Amps @ 120 Volts	1,000/8
Minimum Circuit Required (Amps)	20
Shipping Weight (Approx.)	223 Lbs.

For use on adequately wired 120V, dedicated circuit having 2-wire service with a separate ground wire. Appliance must be grounded for safe operation.

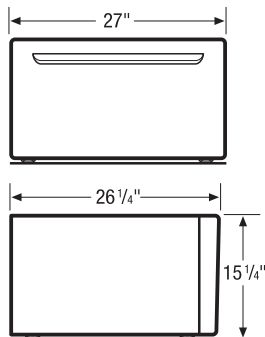
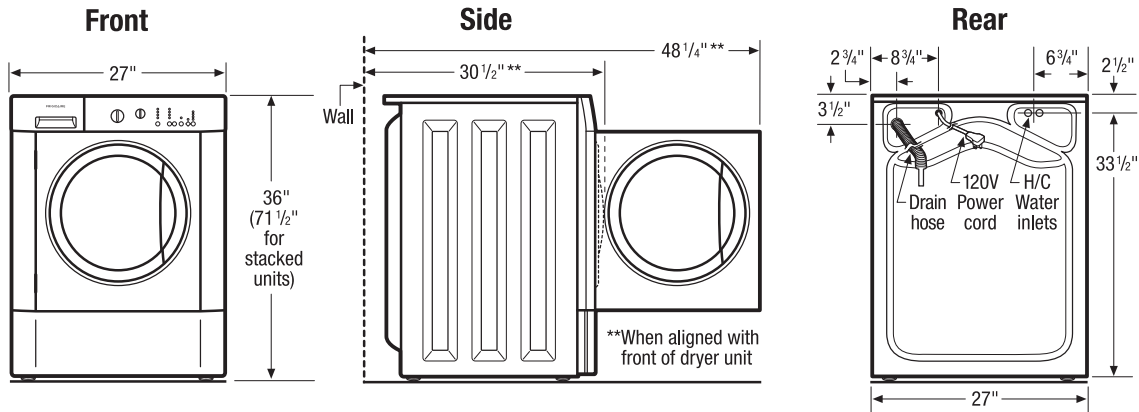


NOTE: For planning purposes only. Always consult local and national electric and plumbing codes. Refer to Product Installation Guide for detailed installation instructions on the web at frigidaire.com.



Product Dimensions	
A - Height (Single)	36"
Height (Stacked)	72"
B - Width	27"
C - Depth	27-3/4"
Depth with Door Open 90°	48-1/2"
Pedestal Dimensions	
A - Height	15-1/4"
B - Width	27"
C - Depth	24"

Accessories information available on the web at frigidaire.com

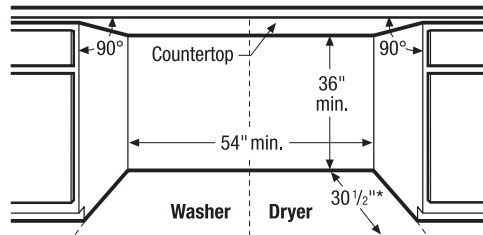


15" Drawer Pedestal Installation

Elevates washer height to 51 1/4". For detailed pedestal installation, refer to instructions included with pedestal or on web. **Note:** Pedestal Installation requires modified utility hookup locations. For details, refer to Product Installation Guide on web.

Built-In Installations

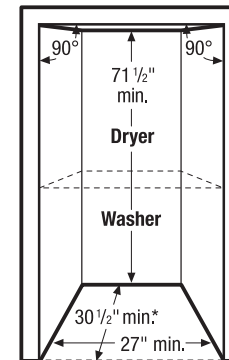
For built-in installations, NO minimum clearance required around sides or backs of units. For closet installation, allow additional 1" clearance between fronts of units and door. Location of plumbing, exhaust and utility hookups MUST be considered in built-in installations. For additional installation details, refer to Product Installation Guides on web.



Side-by-Side Units in Under-Counter Installation

Can be installed with standard countertop and/or cabinetry.

* To achieve minimal installation depth dimensions, dryer MUST be vented straight back. For installation with quick-turn 90° elbow, refer to Product Installation Guide on web for approximate clearances incurred with multi-directional exhausting options in freestanding, pedestal-mounted, or stacked installation.



Stacked Units in Recessed or Closet Installation

For detailed stacked installation, refer to instructions included with Stacking Kit or on web. **Note:** Stacked installation requires modified utility hookup locations for dryer. For details, refer to Product Installation Guide on web.

Front Load Washer Specifications

- Product Shipping Weight (approx.) - 223 Lbs.
- An electrical supply with grounded three-prong receptacle is required. The power supply circuit must be installed in accordance with current edition of National Electrical Code (ANSI/NFPA 70) and local codes & ordinances. (Do not use same circuit as dryer.)
- Voltage Rating - 120V/60 Hz/15 Amps
- Amps @ 120 Volts = 8 Amps
- Equipped with 120V 3-wire power supply cord, approx. 60" long.
- Always consult local and national electric & plumbing codes.
- To maximize detergent effectiveness, ambient temperature should never be below 60° F.
- Can be installed alone, with or without optional 15" Drawer Pedestal, or stacked below matching Frigidaire® Dryer, which requires installation of optional Dryer Stacking Kit. (For installation details, refer to instructions included with optional pedestal or stacking kit or on web.)
- Can be built in with matching Frigidaire® Dryer in under-counter, recessed or closet installation. (Refer to Built-In Installations on this page for cutout dimensions. For additional installation details, refer to Product Installation Guide on web.)
- Closet installation requires vented door with 2 unobstructed louvered openings, minimum 60 sq. in. each, located 3" from top and bottom of door. Full-length 120 sq. in. opening also acceptable. Allow additional 1" clearance between fronts of units and closed door.
- Do NOT install in area exposed to dripping water or outdoor weather conditions, or where gasoline or other flammables, including automobiles, are kept or stored.

- Floor MUST be solid with 1" maximum slope. To minimize vibration or movement, reinforcement of floor may be necessary. Do NOT install on carpeted surface.
- Leveling legs supplied to level washer properly and reduce excessive noise and vibration.
- H/C water faucets MUST be installed within 42" of washer's water inlet and MUST be 3/4" to connect to 43" inlet hoses.
- Water pressure MUST be between 30 and 120 psi with NOT more than 10 psi pressure difference between hot and cold.
- Drain required with standpipe diameter of 1-1/4" min. and height of 24" min./96" max. above floor, capable of eliminating 17 gallons per minute. Attached 52" drain hose can reach 74"-high standpipe. For higher standpipe, optional Drain Hose Extension Kit available.

Note: For planning purposes only. Refer to Product Installation Guide on the web at frigidaire.com for detailed instructions.

Optional Accessories

- Dryer Stacking Kit - (PN# STACKIT7X).
- 15" Classic White Drawer Pedestal - (PN# CFPWD15W).
- Mobile Home Installation Kit - (PN# 137067200).
- Drain Hose Extension Kit - (PN# 137098000).