

# FRIGIDAIRE

## Factory Parts Catalog

Product No.	FAFW3577KA1	FAFW3577KR1	FAFW3577KW1
Color	silver	red	white
Volts	120	120	120
Wiring Diagram	137112700	137112700	137112700
Owner's Guide	137168300	137168300	137168300
Energy Guide	137167300	137167300	137167300
Installation Instructions	137168200	137168200	137168200



Electrolux Major Appliances  
 North & Latin America  
 P.O. BOX 212378  
 AUGUSTA, GA 30917

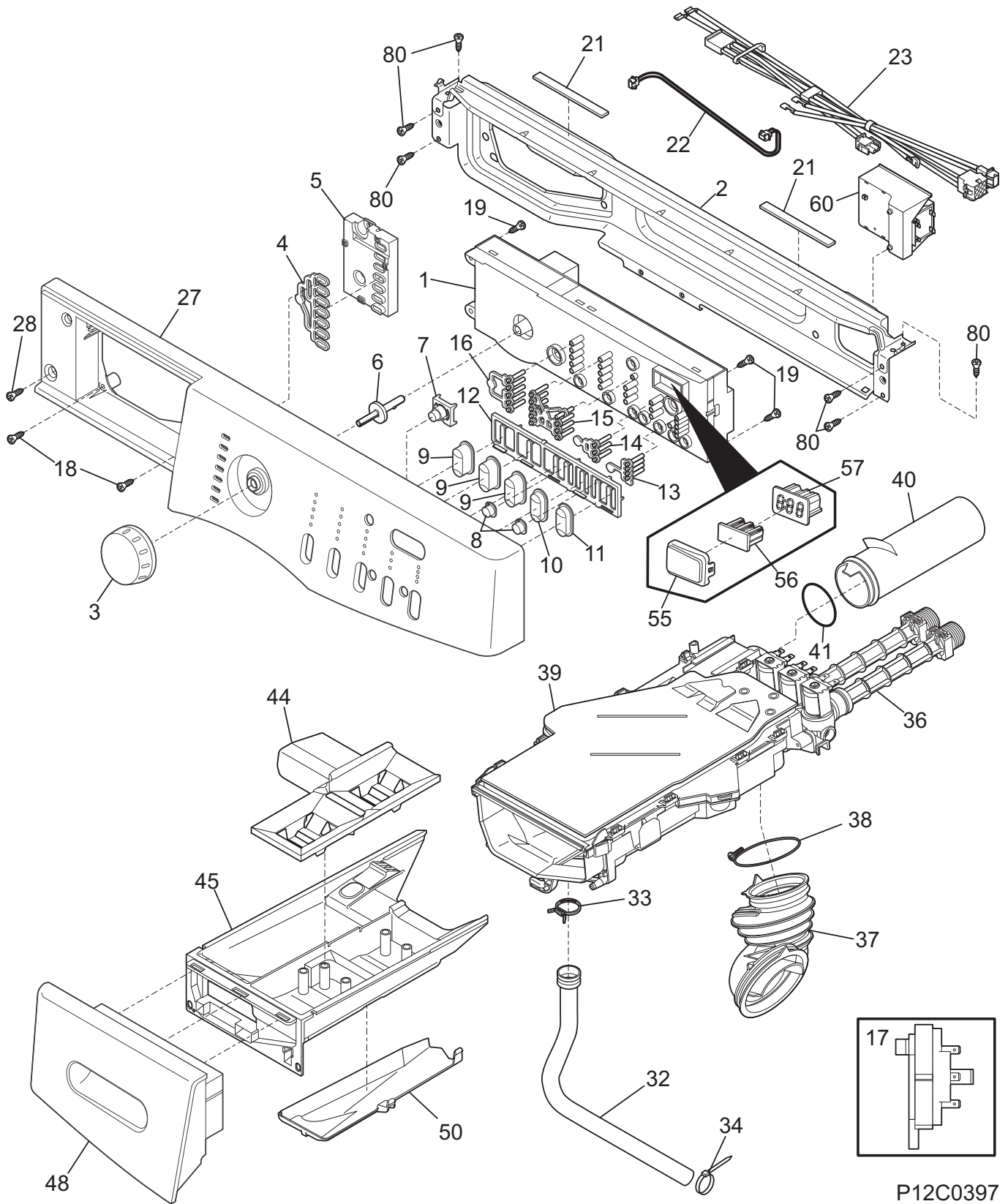
Publication No.  
**5995552808**  
 09/09/22  
 (EN/SERVICE/WTC)  
 361

### FRONT-LOAD WASHING MACHINE

Model No.  
**FAFW3577K**

Copyright © 2009 Electrolux Home Products, Inc.  
 All rights reserved.

### CONTROL PANEL



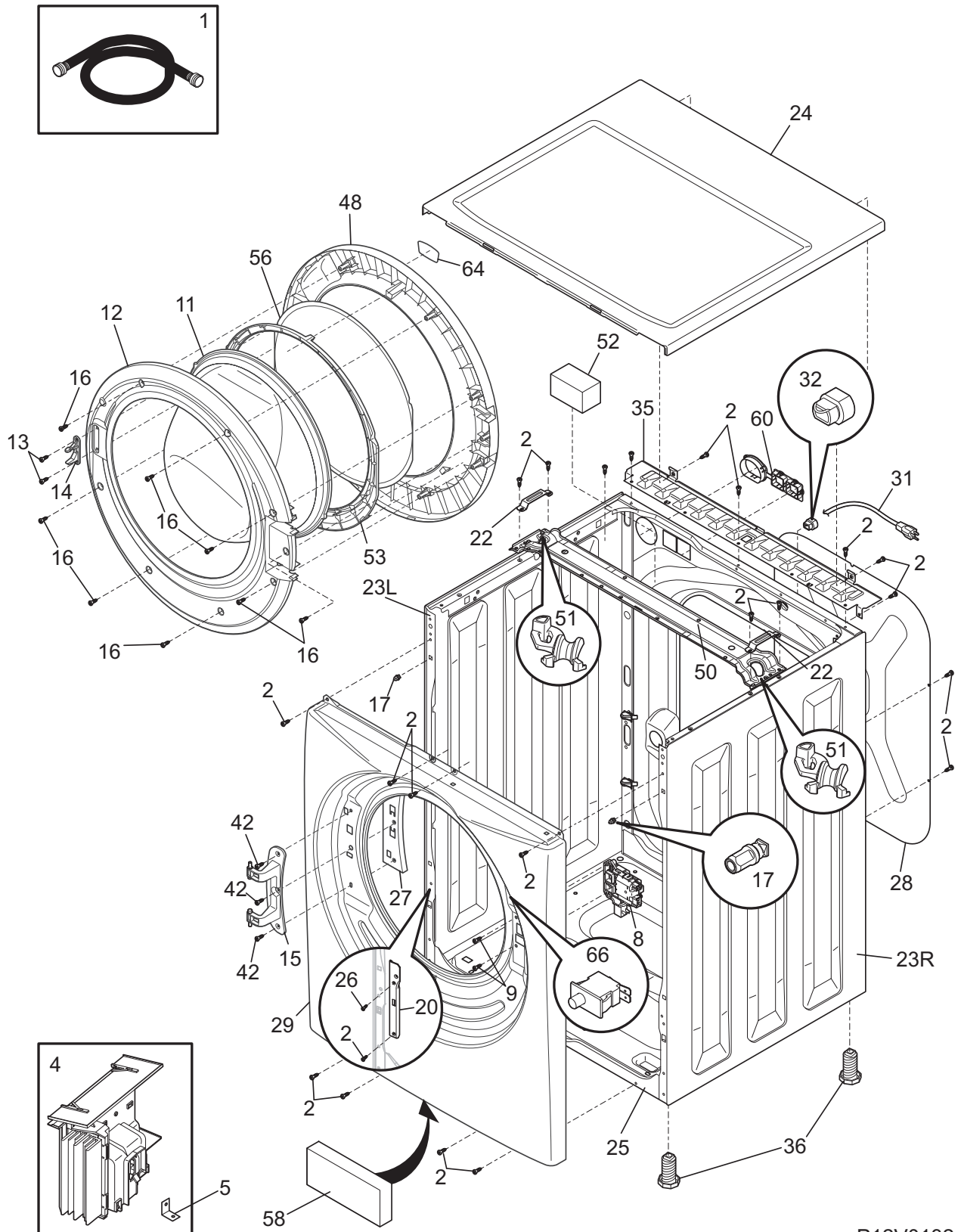
P12C0397

**CONTROL PANEL**

*Model Index:* A FAFW3577K (FAFW3577KA1)  
 B FAFW3577K (FAFW3577KR1)  
 C FAFW3577K (FAFW3577KW1)

POS. NO	PART NO.		DESCRIPTION
1 #	137007010	A B C	Control Board, printed circuit, with housing
2	134364800	A B C	Bracket, top front
3	134551225	A B C	Knob, program, chrome
4	134553100	A B C	Light Pipe, program
5 #	134556500	A B C	Interface Board, pc, auxiliary
5*	134178901	A B C	Screw, 8-18AB x 0.455
6	134347700	A B C	Pin, program knob
7	134891500	A B C	Push Button, round, #2
8	134555525	A B C	Push Button, round, #1
9	134553425	A B C	Push Button, oval, #1
10	134555440	A B C	Push Button, oval, #2 (soil)
11	134864400	A B C	Push Button, oval, start
12	134884900	A B C	Spring, push button
13	134557500	A B C	Light Pipe, start group
14	134557400	A B C	Light Pipe, row of 3
15	134552800	A B C	Light Pipe, 5 x 4
16	134600000	A B C	Light Pipe, row of 5
17 #	134762000	A B C	Switch, pressure
18	131302800	A B C	Screw, 10-16AB x 0.375
19	134402900	A B C	Screw, Phillips, 6-19 x 0.650
21	134407900	A B C	Dampener, vibration
22 #	134602100	A B C	Wiring Harness, interface board
23 #	134739500	A B C	Wiring Harness, controls
23*#	134887800	A B C	Wiring Harness, main
23*#	137215000	A B C	Harness, wiring, main
27	137167255	A - -	Panel, control console
27	137167240	- B -	Panel, control console, red
27	137167210	- - C	Panel, control console, white
28	131205300	A B C	Screw, 10-16 x 0.750
32	134586500	A B C	Hose, disp-to-bellows
33	131306216	A B C	Clamp
34	5303321209	A B C	Cable Tie, 5.60 inch
36 #	134371220	A B C	Valve, dispenser, NTC/short tube
36*	131311900	A B C	Screw, quadrex ph, 8-18AB x 0.500
37	134372300	A B C	Hose, disp-to-tub
38	134372400	A B C	Clamp, tub hose
39	134446120	A B C	Housing, dispenser, w/valve, cover
39*	134371300	A B C	Gasket, disp-to-valve
40	134372100	A B C	Tube, disp-to-overflo
41	134372200	A B C	O-ring, overflow tube
44	134370200	A B C	Cover, dispenser
45	134370000	A B C	Drawer, dispenser
48	137168055	A - -	Handle/Drawer Assy, silver
48	137168040	- B -	Handle/Drawer Assy, red
48	137168010	- - C	Handle/Drawer Assy, white
48*	134555800	A B C	Pad, drawer handle, soft touch
50	134370100	A B C	Conveyor, dispenser, lower
55	134553200	A B C	Lens, digital display
56	134557300	A B C	Light Pipe, digital display
57 #	134503300	A B C	Display, digital
60 #	134558200	A B C	Control, heater, w/transformer
80	134547800	A B C	Screw, 10-16AB x 0.375

CABINET/TOP



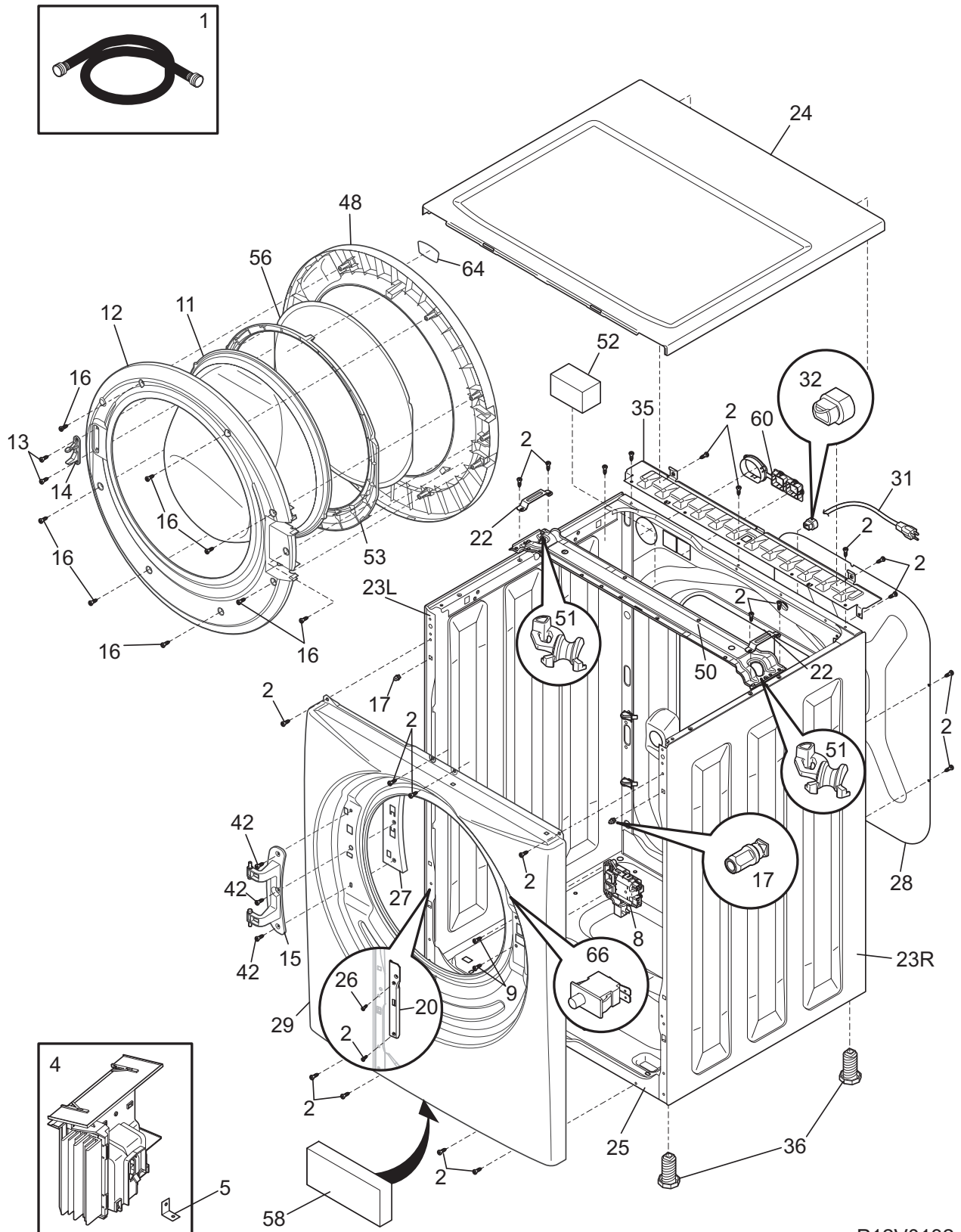
P12V0132

**CABINET/TOP**

*Model Index:* A FAFW3577K (FAFW3577KA1)  
 B FAFW3577K (FAFW3577KR1)  
 C FAFW3577K (FAFW3577KW1)

POS. NO	PART NO.		DESCRIPTION
1	131454100	A B C	Hose, water inlet, 4 ft., hose & washer
2	131168200	A B C	Screw, pan head, 8-18B x 0.31
4 #	134409905	A B C	Control Board, motor
4* #	134547600	A B C	Wiring Harness, motor control
5	134522900	A B C	Bracket, angle, motor control
5*	134178901	A B C	Screw, 8-18AB x 0.455
8 #	131763202	A B C	Door Lock/Switch Assy
8* #	134603100	A B C	Wiring Harness, door switch
9	131303300	A B C	Screw, pan head, 10-16AB x 0.500, locking
11	134366400	A B C	Panel, door glass
12	134550702	A B C	Frame, inner door, gray
13	131302901	A B C	Screw, 10-16 x 0.750
14	134456602	A B C	Striker, door/lock, gray
15	134550800	A B C	Hinge, door, with bushings
16	131205300	A B C	Screw, 10-16 x 0.750
17	134638700	A B C	Clip, assembly
20	134434901	A B C	Bracket, LS panel, reinforcement
20*	134434900	A B C	Bracket, RS panel, reinforcement
22	134648500	A B C	Bracket-spring, retainer
23L	134775355	A - -	Panel, left side, silver
23L	134775340	- B -	Panel, left side, red
23L	134775310	- - C	Panel, left side, white
23R	134775255	A - -	Panel, right side, silver
23R	134775240	- B -	Panel, right side, red
23R	134775210	- - C	Panel, right side, white
24	134365055	A - -	Panel, work top, silver
24	134365040	- B -	Panel, work top, red
24	134365000	- - C	Panel, work top, white
25	134775500	A B C	Base, washer
26	134521600	A B C	Screw, hex washer head, M5 0.8 x 15
27	134550900	A B C	Bracket, hinge, reinforcement
28	134364300	A B C	Panel, service access, rear
29	137021855	A - -	Panel, front, silver
29	137021840	- B -	Panel, front, red
29	137021810	- - C	Panel, front, white
29*	137021600	A B C	Bracket, mounting, left, front panel
29*	137021610	A B C	Bracket, mounting, right, front panel
31 #	134501000	A B C	Power Cord, electric svce
32	5303209428	A B C	Bushing, power cord
35	134365100	A B C	Bracket, top support, rear
36	134548800	A B C	Leveling Leg, screw, plastic
42	134601900	A B C	Screw, flat head, M5 x .8 x 17.5
48	134601525	A B C	Panel, outer door, chrome
48*	134554500	A B C	Pad, outer door
50	134645600	A B C	Bracket, tub suspension
51	134655800	A B C	Protector, tub suspension, spring hook, (2)
52	131931202	A B C	Dampener, vibration, foam
53	134551300	A B C	Ring, door transition

CABINET/TOP



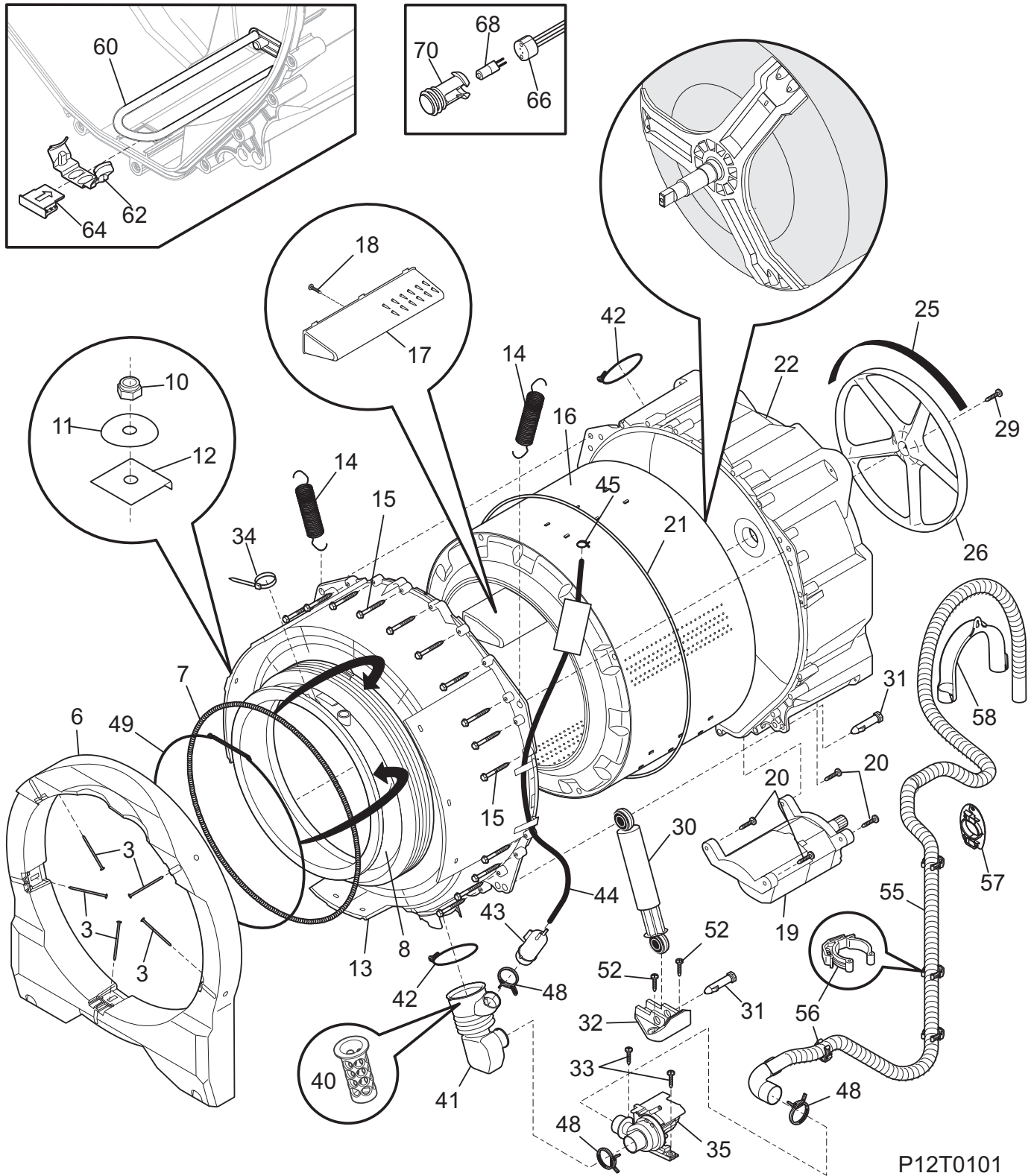
P12V0132

**CABINET/TOP**

*Model Index:* A FAFW3577K (FAFW3577KA1)  
 B FAFW3577K (FAFW3577KR1)  
 C FAFW3577K (FAFW3577KW1)

POS. NO	PART NO.		DESCRIPTION
56	134550600	A B C	Glass, outer door lens
58	131800405	A B C	Insulation, noise absorber
60	134372000	A B C	Grommet, dispenser, back panel
64	137166825	A B C	Nameplate, Affinity
66 #	134813660	A B -	Switch, door, rectangle, gray
66 #	134813600	- - C	Switch, door
*	134591500	A B C	Plug Assy, shipping holes, back
*	134629400	A B C	Screw, MC5X8.5 TORX, cabinet mtg
*	134876500	A B C	Clip, hose, drain, rear-panel
*	134889700	A B C	Clip, hose, drain, rear-panel

MOTOR/TUB





**MOTOR/TUB**

*Model Index:* A FAFW3577K (FAFW3577KA1)  
 B FAFW3577K (FAFW3577KR1)  
 C FAFW3577K (FAFW3577KW1)

POS. NO	PART NO.		DESCRIPTION
3	131793303	A B C	Bolt, carriage, 1/4-20 x 2.60
6	134362200	A B C	Counterweight, front, one piece
7	134365300	A B C	Spring, bellows clamp, retainer
8 #	134739800	A B C	Bellows Kit, boot, w/light hole
10	131304700	A B C	Nut, hex, 1/4-20 UNC-2B, (2)
11	131276900	A B C	Washer, Belleville, spring steel
12	134430600	A B C	Plate, counterweight
13	134362000	A B C	Shell, tub, front
14 #	137099300	A B C	Spring Assy, suspension
15	131303900	A B C	Screw, hex washer head, 1/4-10A x 2.165
16	137105900	A B C	Drum Assy, spin basket
17	134361602	A B C	Vane Kit, drum
18	131302800	A B C	Screw, 10-16AB x 0.375
19 #	134362500	A B C	Motor, 120 V
20	131303500	A B C	Screw, 12-14AB x 1.50, motor mtg.
21	134361900	A B C	O-ring, tub
22	134507130	A B C	Shell, outer tub, rear, with bearing
25 #	134051003	A B C	Belt, drive, 6-rib
26 #	134362600	A B C	Pulley, drum drive, large, rear
29	134408400	A B C	Screw, 10.9 class, M10 x 25 mm
30	134560410	A B C	Shock Absorber, assembly
31	131268300	A B C	Pin, shock mtg.
32	134363200	A B C	Bracket, shock mtg.
33	134160900	A B C	Screw, washer hd, 10-16AB X 0.75
34	5303321209	A B C	Cable Tie, 5.60 inch
35	137108100	A B C	Pump, drain
40	134885800	A B C	Filter, pump
41	134455900	A B C	Hose, coin trap, tub-to-pump
42	134737300	A B C	Clamp, hose
43	134369000	A B C	Chamber, air
44	134369900	A B C	Hose, air pressure
45	131306202	A B C	Clamp, hose
48	131306234	A B C	Clamp, hose, wire
49	134527100	A B C	Clamp, bellows, spring held
52	131202300	A B C	Screw, 10-16AB x 0.625
55 #	134889600	A B C	Hose, drain-one piece
56	134781400	A B C	Fastener, hose clip
57	134641100	A B C	Bracket, drain hose mtg, rear
58	134440700	A B C	Hanger, drain hose
60 #	134552300	A B C	Element, heating, 1000 W
62	134558000	A B C	Bracket, heating element
64	134558100	A B C	Stop, detente, heating element
66 #	134602000	A B C	Receptacle, lamp, door light
68	134554600	A B C	Lamp, G4 light bulb, 5 W, 12 V
70	134551600	A B C	Diffuser, lamp, door light
*	137167300	A B C	Energy Guide

WIRING DIAGRAM

**WARNING** TO REDUCE THE RISK OF ELECTRICAL SHOCK DISCONNECT THIS APPLIANCE FROM THE POWER SUPPLY BEFORE ATTEMPTING ANY USER MAINTENANCE. TURNING THE CONTROLS TO THE OFF POSITION DOES NOT DISCONNECT THIS APPLIANCE FROM THE POWER SUPPLY.

**AVERTISSEMENT** POUR RÉDUIRE LE RISQUE DE CHOC ÉLECTRIQUE, DÉBRANCHER CET APPAREIL DE L'ALIMENTATION AVANT DE PROCÉDER À L'ENTRETIEN. EN TOURNANT LES COMMANDES À LA POSITION ARRÊT, L'ON NE COUPE PAS L'ALIMENTATION ÉLECTRIQUE DE L'APPAREIL.

**ADVERTENCIA** PARA REDUCIR EL RIESGO DE CHUQUE ELÉCTRICO, DESENCHUFE ESTE APARATO DE LA ALIMENTACIÓN ELÉCTRICA ANTES DE EFECTUAR EL MANTENIMIENTO. AL GIRAR LOS CONTROLES A LA POSICIÓN OFF (APAGADO) NO SE CORTA LA ALIMENTACIÓN ELÉCTRICA AL ARTEFACTO.

COMPONENT RESISTANCE TABLE

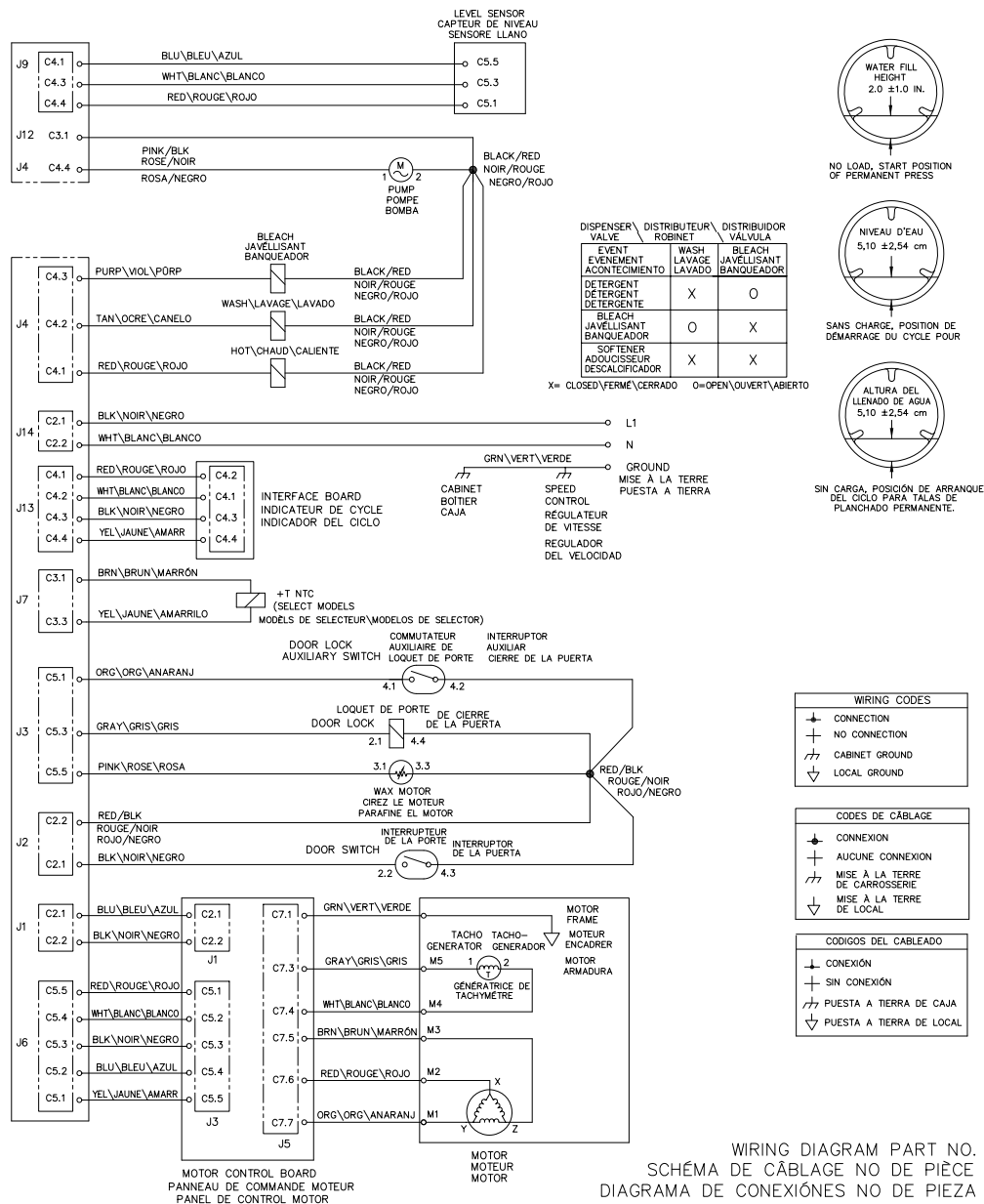
ELECTRICAL COMPONENT	RESISTANCE Ω @ 77° F	
DOOR LOCK SOLENOID	1325 ±10%	
PUMP MOTOR	12.0 ±7%	
DISPENSER VALVE SOLENOIDS	800 ±7%	
MOTOR	M1 TO M2	5.3 ±7%
	M2 TO M3	5.3 ±7%
	M1 TO M3	5.3 ±7%
	M5 TO M4	118 ±7%

TABLEAU DE RÉSISTANCE DES COMPOSANTS

COMPOSANT ÉLECTRIQUE	RÉSISTANCE Ω @ 25° C	
SOLENOÏDE DU LOQUET DE PORTE	1325 ±10%	
MOTEUR DE POMPE	12.0 ±7%	
SOLENOÏDE DU ROBINET DISTRIBUTEUR	800 ±7%	
MOTEUR	M1 VERS M2	5.3 ±7%
	M2 VERS M3	5.3 ±7%
	M1 VERS M3	5.3 ±7%
	M5 VERS M4	118 ±7%

TABLA DE RESISTENCIA DE LOS COMPONENTES

COMPONENTE ELÉCTRICO	RESISTENCIA Ω @ 25° C	
SOLENOIDE DE CIERRE DE LA PUERTA	1325 ±10%	
BOMBA DE MOTOR	12.0 ±7%	
SOLENOIDE DE LA VÁLVULA DEL DISTRIBUIDOR	800 ±7%	
MOTOR	M1 A M2	5.3 ±7%
	M2 A M3	5.3 ±7%
	M1 A M3	5.3 ±7%
	M5 A M4	118 ±7%



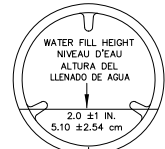
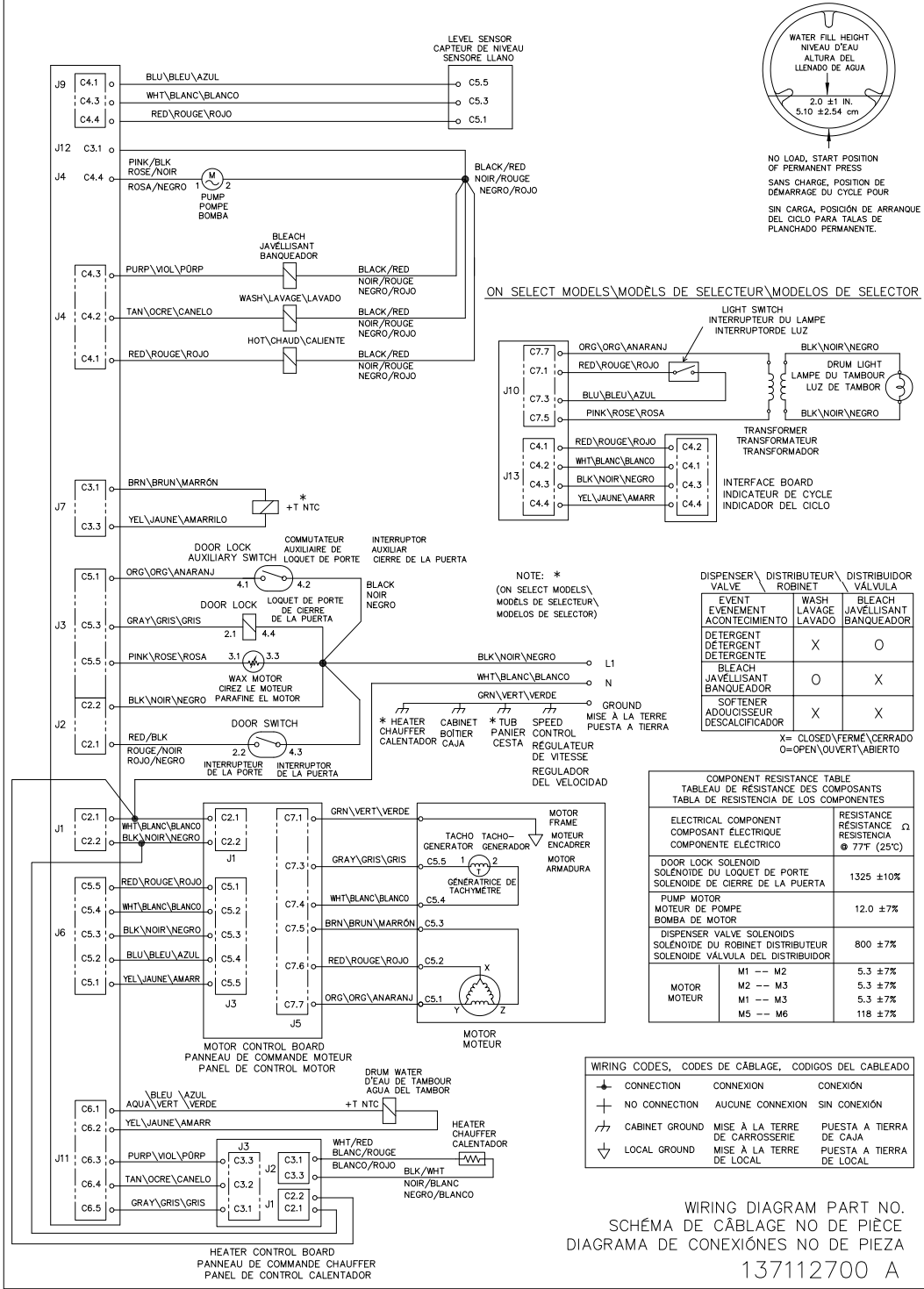
WIRING DIAGRAM

**WARNING** TO REDUCE THE RISK OF ELECTRICAL SHOCK DISCONNECT THIS APPLIANCE FROM THE POWER SUPPLY BEFORE ATTEMPTING ANY USER MAINTENANCE. TURNING THE CONTROLS TO THE OFF POSITION DOES NOT DISCONNECT THIS APPLIANCE FROM THE POWER SUPPLY.

**AVERTISSEMENT** POUR RÉDUIRE LE RISQUE DE CHOC ÉLECTRIQUE, DÉBRANCHER CET APPAREIL DE L'ALIMENTATION AVANT DE PROCÉDER À L'ENTRETIEN. EN TOURNANT LES COMMANDES À LA POSITION ARRÊT, L'ON NE COUPE PAS L'ALIMENTATION ÉLECTRIQUE DE L'APPAREIL.

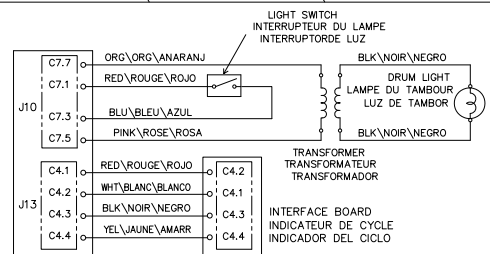
**ADVERTENCIA** PARA REDUCIR EL RIESGO DE CHOQUE ELÉCTRICO, DESENCHUFE ESTE APARATO DE LA ALIMENTACIÓN ELÉCTRICA ANTES DE EFECTUAR EL MANTENIMIENTO. AL GIRAR LOS CONTROLES A LA POSICIÓN OFF (APAGADO) NO SE CORTA LA ALIMENTACIÓN ELÉCTRICA AL ARTEFACTO.

ON SELECT MODELS\MODELS DE SELECTEUR\MODELOS DE SELECTOR



NO LOAD, START POSITION OF PERMANENT PRESS  
SANS CHARGE, POSITION DE DÉMARRAGE DU CYCLE POUR  
SIN CARGA, POSICIÓN DE ARRANQUE DEL CICLO PARA TALAS DE PLANCHADO PERMANENTE.

ON SELECT MODELS\MODELS DE SELECTEUR\MODELOS DE SELECTOR



NOTE: \* (ON SELECT MODELS\ MODELS DE SELECTEUR\MODELOS DE SELECTOR)

EVENT ÉVÉNEMENT ACONTECIMIENTO	WASH LAVAGE LAVADO	BLEACH JAVELLISANT BANQUEADOR
DETERGENT DÉTERGENTE DÉTERGENTE	X	O
BLEACH JAVELLISANT BANQUEADOR	O	X
SOFTENER ADOUCCISSEUR DESCALCIFICADOR	X	X

X= CLOSED/FERMÉ/CERRADO  
O=OPEN/OUVERT/ABIERTO

COMPONENT RESISTANCE TABLE TABLEAU DE RÉSISTANCE DES COMPOSANTS TABLA DE RESISTENCIA DE LOS COMPONENTES	
ELECTRICAL COMPONENT COMPOSANT ÉLECTRIQUE COMPONENTE ELÉCTRICO	RESISTANCE RÉSISTANCE RESISTENCIA Ω @ 77°F (25°C)
DOOR LOCK SOLENOID SOLENOÏDE DU LOQUET DE PORTE SOLENOIDE DE CIERRE DE LA PUERTA	1325 ±10%
PUMP MOTOR MOTEUR DE POMPE BOMBA DE MOTOR	12.0 ±7%
DISPENSER VALVE SOLENOIDS SOLENOÏDE DU ROBINET DISTRIBUTEUR SOLENOIDE VÁLVULA DEL DISTRIBUIDOR	800 ±7%
MOTOR	M1 -- M2 5.3 ±7%
MOTEUR	M2 -- M3 5.3 ±7%
	M1 -- M3 5.3 ±7%
	M5 -- M6 118 ±7%

WIRING CODES, CODES DE CÂBLAGE, CÓDIGOS DEL CABLEADO		
+	CONNECTION	CONEXION
+	NO CONNECTION	AUCUNE CONNEXION
+	CABINET GROUND	MISE À LA TERRE DE CAJA
+	LOCAL GROUND	MISE À LA TERRE DE LOCAL

WIRING DIAGRAM PART NO. 137112700 A  
SCHEMA DE CÂBLAGE NO DE PIÈCE  
DIAGRAMA DE CONEXIONES NO DE PIEZA