

 **Electrolux** **WH 810**

Automatic Washing Machine



INSTRUCTIONS FOR USE

Welcome to the family of Electrolux users. You are now the owner of an up-to-date automatic washing machine which will make your washday very much easier. You will find that operating your new Electrolux washing machine is simplicity itself. Just pop in the washing powder, select the programme you need for a particular wash and your new Electrolux will do the rest.

This specially prepared booklet not only tells you how to operate your new Electrolux automatic washing machine, but also it contains a number of helpful tips on how to get the best results. **PLEASE READ THIS BOOKLET THROUGH CAREFULLY BEFORE YOU USE THE MACHINE FOR YOUR FIRST WASH. THE BOOKLET ALSO INCLUDES AN IMPORTANT CHECKLIST OF WHAT TO DO SHOULD A FAULT OCCUR, PLUS A LIST OF THE ELECTROLUX SERVICE OFFICES WHERE SERVICE CAN BE OBTAINED IF IT IS NEEDED.**

Electrolux Cover For Your Machine

Your new washing machine is covered by a comprehensive guarantee (labour and parts) for one year and this is detailed at the back of this booklet. It is possible also for you to extend the cover on your machine by one of the following methods:-

BONUS COVER: With one modest payment you can extend the benefits of your Electrolux guarantee for a further four years. So, for a period of five years, you need have little worry about breakdown or repair. Electrolux do not, however, accept liability for defects arising from neglect, misuse or accident.

A Bonus Cover leaflet is enclosed.

ANNUAL MAINTENANCE AGREEMENT: You may wish, however, to consider taking out a Guaranteed Maintenance Agreement when the guarantee has expired. Membership of this scheme means that, for an annual payment, should your machine breakdown or require attention, any necessary repairs (including parts and labour) will be covered without any additional cost. It is advisable to enter the scheme before your guarantee has expired. Membership is renewable on an annual basis and the scheme includes a free maintenance check by an Electrolux Service Engineer at the end of the contract year.

Be sure to keep this booklet in a handy spot for future reference. A separate instruction leaflet is enclosed which gives details on how to install your new WH810.

Table of Contents

1.	Electrolux Cover for your machine.
2.	Electrical information.
2.	Technical details.
3-4.	How it works.
5-6.	Individual programme details.
7-8.	Easy steps to a trouble free wash.
9.	What to do and when.
9.	Stain removal.
9.	Some common articles and their weights.
10.	Man-made fibres and their treatment.
10.	Care labelling in the U.K.
10.	Other symbols within the International System.
11.	Guarantee.
11.	Electrolux Service Organisation.

IMPORTANT Check that the transit packing pieces have been removed from the machine.
(See separate installation instructions).

Electrical information

WARNING: This appliance must be earthed.

This machine is designed to operate on a 240 volt a.c. mains supply. Connection to the electrical supply should be made by a 3-pin 13 amp or 3-pin 15 amp plug. If a BS 1363 3-pin 13 amp fused plug and socket are used, the plug should be fitted with a 13 amp fuse. If a 15 amp plug and socket are used, this should be protected by a 15 amp fuse either in the plug or at the distribution board fuse box.

IMPORTANT The wires in the mains lead of this appliance are coloured in accordance with the following code:

GREEN-AND-YELLOW: EARTH.
BLUE: NEUTRAL. BROWN: LIVE.

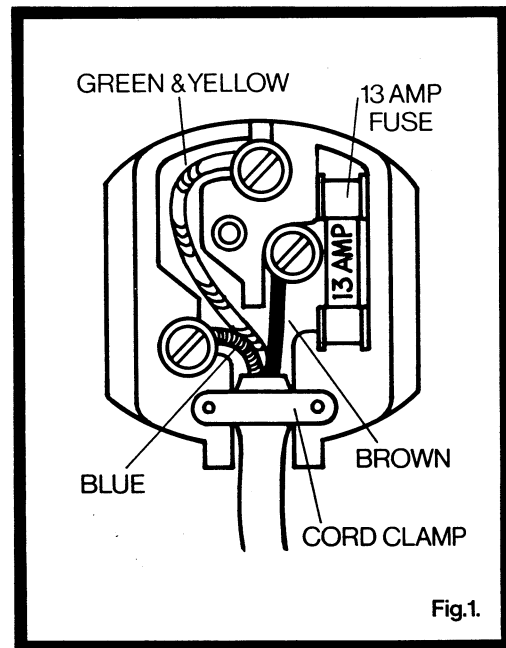
As the colours of the wires in the mains lead of this appliance may not correspond with the coloured markings identifying the terminals in your plug, proceed as follows:

The wire which is coloured green-and-yellow must be connected to the terminal in the plug which is marked with the letter E or by the earth symbol \perp or coloured green or green-and-yellow.

The wire which is coloured blue must be connected to the terminal which is marked with the letter N or coloured black.

The wire which is coloured brown must be connected to the terminal which is marked with the letter L or coloured red.

THIS APPLIANCE CONFORMS WITH THE REQUIREMENTS OF EEC DIRECTIVE No.76/889 RELATING TO RADIO INTERFERENCE.



Make sure your plug and socket are in good condition.

Technical Details

Dimensions Height: 33½in (850mm) Width: 23¾in (600mm) Depth: 21½in (550mm) Depth (with door open): 35in (890mm) Weight: 178½lb (81kg)	Electrical Voltage: 240V ac. Max. input: 2,350 Watts Motor rating (Wash): 450 Watts (Spin): 850 Watts Heater rating: 1,900 Watts.	Capacity Max. load, Cotton: 10lb (4.5kg) Max. load, Synthetics: 4½lb (2kg) Max. load, machine washable wool: 2¼lb (1kg)
Water Pressure and Fill Maximum cold } 130lb/in² (800kN/m²) Maximum hot } Minimum cold } 8lb/in² (50kN/m²) Minimum hot }	Drum Speeds Wash: 58 rev/min. Interim spin: 400 rev/min. Normal spin: 800 rev/min.	

How it Works

The operation of your new Electrolux washing machine is both simple and flexible. This section will help you to become familiar with the basic controls.



- 1 PROGRAMME CHART.
- 2 DETERGENT DISPENSER.
- 3 ANTI-CREASE BUTTON.
- 4 SPIN-SPEED BUTTON.
- 5 ECONOMY BUTTON.
- 6 ON/OFF BUTTON.
- 7 MAINS-ON LIGHT.
- 8 PROGRAMME KNOB.
- 9 DOOR CATCH.
- 10 PUMP FILTER.

Push Buttons

On/Off Button: push this in, once the programme has been selected, to switch the machine on. The button will stay depressed until you are ready to switch the machine off (i.e after the wash programme has been completed), at this stage the button should be pushed in once again and it will return to the "out" position.

Selector Buttons: there are three of these and they allow you, when necessary, to vary the basic programmes to suit your needs. Their functions are detailed below. The table on pages 5 and 6 indicates the settings of the buttons for each programme.

When required, simply push in the appropriate button(s) before selecting the basic programme. To cancel a button pressed in error, simply press it in again and release.

- **Anti-Crease Button:** This has two functions, according to the programme selected.

With delicates (programmes G-L) the washing will be kept in water suspension at the end of the programme.

To advance into the next part of the programme simply cancel the button by pressing it in again.

If the button is pressed in with a wash-load of heavily soiled white cottons, the machine will not

proceed into the main wash – the clothes will be held in the pre-wash water. This button can, therefore, be used to provide an additional soaking time. If, after soaking you wish to select a programme other than 'B'; switch off the machine and drain machine by using programme 'M', then select required programme.

- **Spin-Speed Button:** This is useful when washing polyester cotton, on programmes A-F, which requires drip-drying. By pressing in this button the final spin speed is reduced from 800 to 400 revs. per minute.

Press the button in again to cancel it.

Never press this button in when the machine has started a programme.

- **Economy Wash Button:** This reduces the main wash temperature of programmes A and B from 90°C to approximately 60°C, whilst retaining the normal programme time. Because less heating is required, a substantial saving in electricity can be made whilst producing an acceptable wash result.

Detergent Dispenser

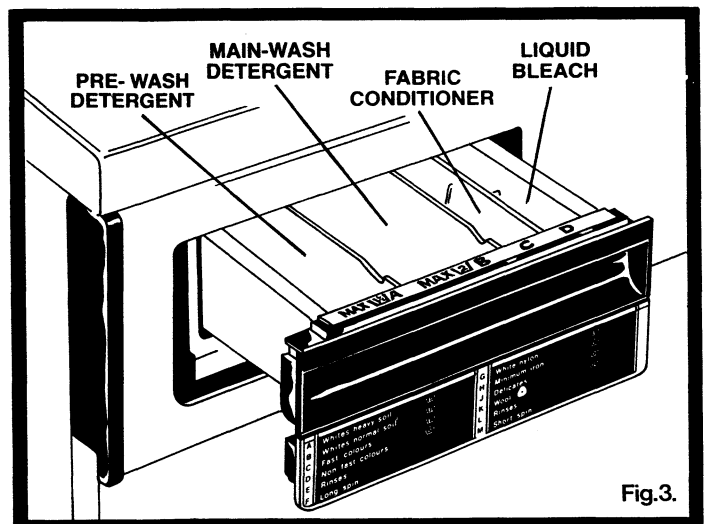
Pull out and you will see four separate compartments inside. (Fig. 3.)

The left-hand compartment "A" is for the pre-wash detergent. Compartment "B" is for the main-wash detergent and "C" is for fabric conditioner. The table on pages 5 and 6 indicates the detergent and conditioner requirements for each programme.

The amount of detergent which you will need will depend upon the particular wash and local water conditions, for details see page 7. When using a fabric conditioner use only the quantity recommended on the pack and do not dilute it before pouring it into the fabric conditioner compartment of the dispenser.

Add the fabric conditioner and the detergent before starting the programme.

Compartment "D" is for liquid bleach. Consult the bleach manufacturers instructions as to the quantity to use. Remember that care must be taken as certain fabrics, white or otherwise, should not be washed in a bleach solution. The symbols on Page 10 indicate whether or not bleach may be used.



Programme Chart

On the front of the detergent dispenser there is a handy reference guide to help you choose the right programme for any particular wash. Ideally it is better not to wash clothes requiring different programmes in the same load. However, if for reasons of convenience or for economy there is no alternative, please refer to item 2 (b) on page 7.

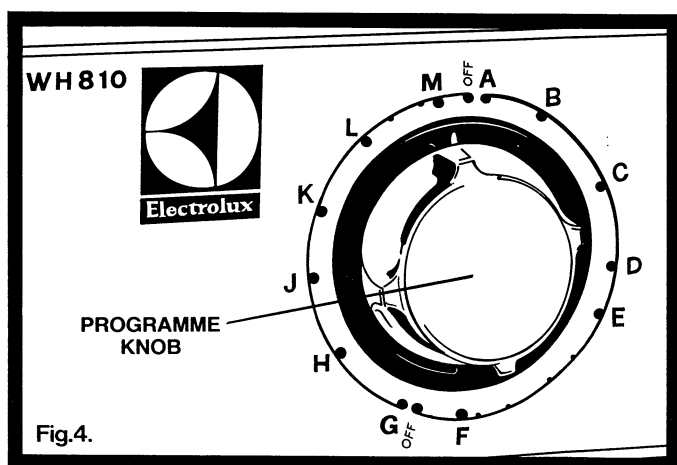
Mains-On Light

This is positioned alongside the On/Off Button and lights up to show that power is being received from the mains electricity supply when the machine is switched on and the door is closed. If, for any reason, it does not light up when the machine is switched on, refer to the check list on page 9.

When the wash-cycle is completed the mains-on light will remain alight to remind you that you must switch the machine off before opening the door.

Programme Control

Your machine provides 12 basic programmes (some with optional variations) including "rinse and spin" and "spin only" programmes. These programmes meet the requirements of the International Textile Care Labelling Code and the Home Laundry Consultative Council (H.L.C.C.) Care Codes for machine wash programmes.



You simply turn the Programme Knob (Fig. 4.), in a clockwise direction, to the programme desired (**never try to turn the knob in an anti-clockwise direction**). Having set the programme and selected programme variables by pressing the appropriate button(s), push in the On/Off Button to start the machine. Whilst the machine is going through the programme the knob will rotate in a clockwise direction.

Should it be necessary to change the programme once the machine has started, remember to switch off before moving the Programme Knob, and then switch on again. There are two "Off" positions indicated.

Your washing machine will take in just the right amount of hot and/or cold water depending on the programme you have chosen. However, the temperature of the water taken into the machine will be cooler than that required for the programme to avoid any risk of damage to the clothes, the machine will then gently heat the water to the necessary temperature for the programme selected.

Should the machine stop for any reason (i.e power failure) during the final spin cycle, it is necessary to re-start from the beginning of the spin cycle.

Door Catch

The door can only be opened if the machine is switched off at the On/Off Button, or disconnected from the mains. There is a safety device which electrically locks the door preventing it from being opened once the machine has been switched on, and which will keep the door locked for at least two minutes after the machine has been switched off at the On/Off Button. This device will also prevent the machine from operating if the door is not closed.

BEFORE ATTEMPTING TO OPEN THE DOOR, ENSURE THAT THE MACHINE HAS BEEN DRAINED.

Pump Filter

THIS MUST BE CLEANED AFTER EVERY WASH

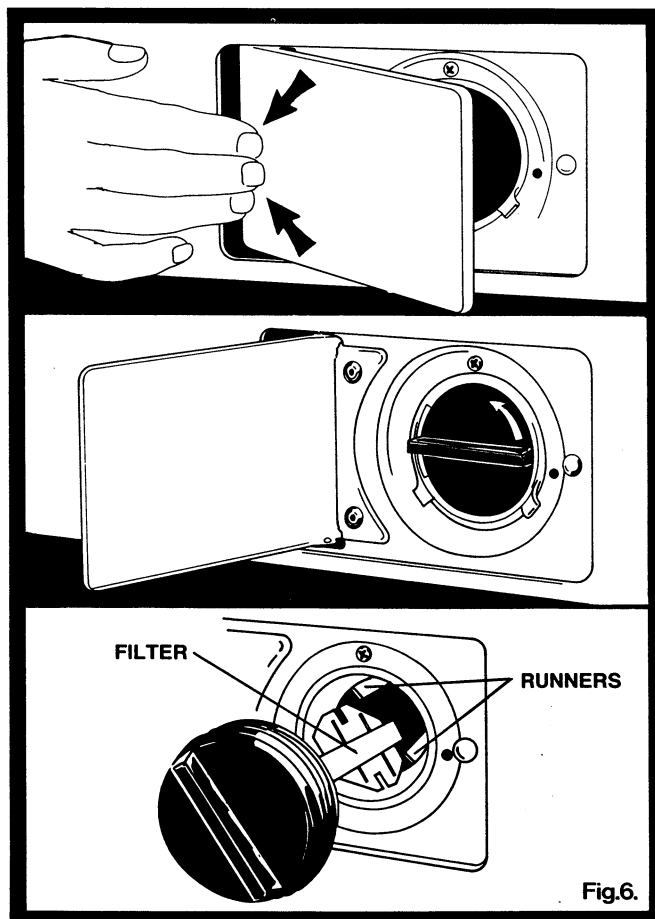
Your Electrolux washing machine is fitted with a special filter designed to trap fluff, lint and any other small objects inadvertently left in the wash load, so protecting the discharge pump. This filter is located behind the small door near the bottom of the machine. Push on the left-hand side of the door to open it.

Remove the filter from the machine by unscrewing in an anti-clockwise direction (Fig. 6) and pulling it forward.

Replace the filter, taking care to ensure that the slots at the rear of the filter engage with their runners as shown in Fig. 6. Push the filter home and turn the handle clockwise until it is screwed tight, to prevent water leakage.

The design of the machine ensures that there should be very little water spillage when the filter is removed. It is advisable, however, to place a small container (such as a saucer) beneath the filter when removing, to catch any drips.

After replacing the filter, close the door.



Individual Programme Details

CARE CODE		TYPE OF LOAD	PROGRAMME KNOB SETTING	SELECTOR BUTTONS			PRODUCT DISPENSERS				WASH SEQUENCE	APPROX. TOTAL WASH TIME
INTER-NATIONAL	H.L.C.C.			ANTI-CREASE	SPIN	ECONOMY WASH	PRE-WASH A	MAIN WASH B	FABRIC CONDITIONER C	BLEACH* D		
		Heavy soiled cottons & linens that are white or colour fast to boiling without special finishes†	A	OUT	OUT (800)	OUT	YES	YES	IF REQUIRED	<p>Pre-Wash Fills with hot and cold water to a low level then agitates wash-load for 2 minutes. Drum remains stationary whilst water is heated to 40°C, then agitates for 4 minutes. Pumps water out, with reduced agitation.</p> <p>Main Wash Fills hot and cold to low level, then agitates for 4 minutes. Drum remains stationary whilst water is heated to 40°C, then agitates whilst water is heated to 90°C. At end of main wash there are two bursts of cold water. Pumps water out.</p> <p>Rinses Four cold rinses, with agitation, to high level. (If bleach has been poured into dispenser "D" this will be taken in on the second rinse). Fabric conditioner is taken in on the last rinse.</p> <p>Spins There is a 2 minute interim spin at 400 r.p.m. after the second rinse and a 6 minute final spin at 800 r.p.m.</p>	170 minutes	
		Normal soiled cottons & linens that are white or colour fast to boiling without special finishes†	B	OUT	OUT (800)	OUT	NO	YES	IF REQUIRED	<p>Programme as A (above), but without pre-wash.</p>	150 minutes	
		Lightly soiled cottons & linens that are white or colour fast to boiling without special finishes†	B	OUT	OUT (800)	IN	NO	YES	IF REQUIRED	<p>Programme as A (above), but without pre-wash. Main wash is at 60°C, instead of 90°C.</p>	150 minutes	
		Linens, rayons without special finishes† that are colour fast at 60°C.	C	OUT	OUT	OUT	NO	YES	NO	<p>No pre-wash. Main Wash fills hot and cold to low level, then agitates for 4 minutes. Drum remains stationary whilst water is heated to 40°C, then agitates whilst water is heated to 60°C. At end of wash there are two short bursts of cold water. Rinses and spins as programme "A".</p>	120 minutes	
		White nylon and white polyester/cotton mixtures	G	IN	OUT	OUT	NO	YES	NO	<p>No pre-wash. Main Wash fills hot and cold to low level then agitates gently for 2 minutes. Drum remains stationary whilst water is heated to 40°C, then agitates gently whilst water is heated to 60°C. Drains.</p> <p>Rinses and Spin Three rinses to high level, with clothes held in final rinse until the anti-crease button is cancelled. The programme then advances into a short 400 r.p.m. spin.</p>	140 minutes	

		Minimum iron fabrics coloured polyester, cotton and rayon articles with special finishes† Acrylic/cotton and polyester/ cotton mixtures	H	IN	OUT	OUT	OUT	NO	YES	YES	NO	Fills hot and cold to high level, then agitates for 2 minutes. Drum remains stationary whilst water is heated to 40°C, then agitates gently for remainder of wash. Drains. Rinses as programme "G"	105 minutes
		Cottons, linen and rayon where colours are fast at 40°C but not 60°C.	D	OUT	OUT	OUT	OUT	NO	YES	YES	NO	No pre-wash. Main wash fills with cold to low level then agitates for 4 minutes. Drum remains stationary whilst water is heated to 40°C, then agitates. At the end of wash there are two short bursts of cold water. Rinses and spins as programme "A"	75 minutes
		Delicates, acrylics, acetates and tri-acetates including mixtures and woollen and polyester/ woollen blends	J	IN	OUT	IN	OUT	NO	YES	YES	NO	No pre-wash. Main wash fills with cold to low level, then agitates gently for 4 minutes. Drum remains stationary whilst water is heated to 40°C. Gentle agitation for remainder of wash. Rinses as programme "G"	75 minutes
		Machine washable wool, including blankets and wool mixtures with cotton or rayon, silk.	K	OUT	OUT	OUT	OUT	NO	YES	YES	NO	No pre-wash. Main wash fills with cold to high level, then agitates gently for 2 minutes. Drum remains stationary whilst water is heated to 40°C, then agitates gently for remainder of wash. Rinses as programme "G", but machine will automatically advance into drain and a short spin.	55 minutes
EXTENDED RINSE & SPIN (COLD WASH)		Cottons, linens and rayons to be rinsed and spun dry	E	OUT	OUT	OUT	OUT	NO	YES	NO	IF REQUIRED	Five rinses to high level. The first rinse can be used as a main wash stage if low temperature detergent is used. There is a 2 minute spin at 400 r.p.m. after the third rinse and a final spin at 800 r.p.m. The first rinse can be omitted if the timer is set to the first index mark, thus reducing the programme time by 24 minutes.	48 minutes
RINSE & SPIN		Any delicate fabric which requires rinsing and spin drying	L	OUT	OUT	OUT	OUT	NO	YES	NO	NO	Three cold rinses to high level, with fabric conditioner taken in on last rinse. Machine advances automatically into a short spin at the end of the programme.	14 minutes
LONG SPIN		Cottons, linens and rayons to be spun dry	F	OUT	OUT	OUT	OUT	NO	NO	NO	NO	Long spin, attaining 800 r.p.m.	8 minutes
RINSES		Any delicate fabric which requires rinsing and drip-drying	L	IN	OUT	OUT	OUT	NO	YES	NO	NO	Programme as "L" above, but clothes are held in final rinse until the anti-crease button is cancelled.	14 minutes
SHORT SPIN		Nylons and delicates to be spun dry	M	OUT	OUT	OUT	OUT	NO	NO	NO	NO	Short spin at 400 r.p.m.	4 minutes

Notes

†Articles with special finishes should always be washed in accordance with the manufacturer's recommendations.

All washes (main and pre-wash) have a cold pre-fill. This helps to conserve detergent.

*Bleach Certain fabrics, white or otherwise, should not be rinsed in a bleach solution. The symbols on page 10 indicate whether or not bleach may be used.

Total Wash Times These are only approximate, they can vary with the temperature and pressure of water entering the machine.

EASY STEPS TO A TROUBLE-FREE WASH

- 1 Preparing your Machine
- 2 Preparing your Wash
- 3 Detergents
- 4 Fabric Conditioners
- 5 Bleaches
- 6 Loading your Machine
- 7 Selecting your Programme
- 8 After the Wash
- 9 Care and Cleaning

1 Preparing your Machine

a) Ensure that your machine is installed correctly. (See separate Installation Instructions).

b) If your machine is not plumbed in, ensure that the drain hose is in the sink, that the sink plug has been removed and that the hoses have been connected to the appropriate supply – REMEMBER, DO NOT CONNECT HOSES TO A MIXER TAP OR A SINGLE POINT INSTANTANEOUS WATER HEATER.

c) Ensure that the filter is clean before using the machine.

d) Ensure that the drum is clean and free from any foreign matter.

e) Turn on the water and power supply.

2 Preparing your Wash

a) Your Electrolux WH810 will take up to a full 10lb (4.5kg) dry weight of cotton, 4½lb (2kg) of synthetics or 2½lb (1kg) of wool. To help you there is a guide on page 9 giving the weights of a number of common articles.

Remember, never overload your machine. Overloading the machine will reduce its efficiency and may damage it.

b) Preferably you should sort your wash into groups requiring the same wash programme, i.e., 'whites', 'coloureds', 'delicates', 'degree of soiling', etc. Failure to do this is one of the common causes of colour running, dye contamination, shrinkage and discolouration of whites. However, if for convenience or for the sake of economy, there is no alternative, always select the mildest wash conditions.

Codes **1/95** and **2/60** may be washed together as Code **2/60**

Codes **3/60** and **4/60** may be washed together as Code **4/60**

Codes **4/60** and **6/40** may be washed together as Code **6/40**

Important

a) Never wash any fabric at a temperature higher than that indicated by its correct wash code. Similarly, where an item is composed of two types of material you should select a wash programme designed for the more delicate of the fabrics.

b) Treat any stained articles as described in the special section on page 9.

c) As white nylon attracts dyes from other materials always wash this on its own. Non colour-fast items should also be washed on their own. For advice on how to wash clothes made from the most common synthetic fibres see the special section on page 9.

3 Detergents

What type?

You should always use a detergent designed for front loading automatic washing machines. Never use ordinary detergents as these produce too much lather, which interferes with the free tumbling action of the clothes in the drum.

You must always use a low-lather detergent, and to get the best results we recommend PERSIL NEW SYSTEM AUTOMATIC. Like all front loading automatics your Electrolux works at peak efficiency with a low lather product. PERSIL NEW SYSTEM AUTOMATIC'S balanced lather is specially designed to complement the cleaning action of the machine, so use it regularly for trouble-free washing and superb results.

How Much?

Using the correct amount of detergent is important and this will depend on a number of things such as hardness of water, size of load, and amount of soiling. As a guide we suggest you begin with the quantities given below and adjust the amounts in the light of personal experience.

	Programmes Using a Pre-Wash			Programmes Not a Pre-Wash Using
	Pre-Wash Compartment	Main Wash Compartment	Total	Main Wash Compartment
Hard Water (a) Full load or heavy soiling	1 cup	2 cups	3 cups	2 cups
(b) Small load or light soiling	1 cup	1 cup	2 cups	1½ cups
Soft Water (a) Full load or heavy soiling	1 cup	1 cup	2 cups	1½ cups
(b) Small load or light soiling	½ cup	½ cup	1 cup	¾ cup

One cupful represents 3½ oz. (100 g) approx. DO NOT OVERFILL THE DISPENSERS

Never leave detergent for any length of time in the dispenser as it can form lumps which will be difficult to dissolve. Before starting your machine always ensure that the detergent dispenser is pushed back flush with the fascia.

4 Fabric Conditioners

The regular use of a fabric conditioner, such as 'COMFORT' is recommended. This will add softness to all types of fibre – particularly noticeable in wools and cotton towels, will reduce static electricity in man-made fibres, and will make ironing easier by increasing slip between iron and fabric. For best results follow the quantities recommended by the manufacturer. You

simply put the undiluted quantity required into the fabric conditioner dispenser. Do not exceed the manufacturer's recommended quantities.

5 Bleaches

With today's modern detergents there is normally no need to use bleach. But, should you so desire, liquid bleach can be poured into the right hand compartment (D) in the drawer before starting the wash. The machine will then release it at the correct time. Consult the bleach manufacturer's instructions as to the quantity of bleach to use, bearing in mind that the machine will dilute it with 5½ galls (26 litres) of water. **CAUTION** Certain fabrics, white or otherwise, should not be washed in a bleach solution. The symbols on page 10 indicate whether or not bleach may be used.

Remember also that bleach is a dangerous chemical and should be kept away from children.

The level of liquid (liquid bleach or fabric conditioner) should never exceed the level indicated on the inside walls of the respective compartments (C or D).

6 Loading your Machine

Before placing clothes in the drum:

Empty all pockets, making doubly certain that any small items, such as coins, have been removed; close all zippers, and ensure all buttons are secure.

Never put large items such as sheets in the drum folded up, always open folds first.

Small delicate items should be washed in a cotton bag (i.e. a pillow case).

You should never wash more than 2¼lb (1kg.) of wool or 4½lb (2kg.) of synthetic, easy care or drip dry materials in one load.

Place your washing in the drum and close the door.

7 Selecting your Programme

Different types of fabric will require different washing programmes. Having decided on a particular wash load, using the table on pages 5 and 6, you should select the appropriate programme.

To assist you in selecting the correct programme with regard to fabric and colour fastness, many garments and household textiles have care labels which show the code from either the H.L.C.C. system or the more recent International Textile Care Labelling Code (which has generally superseded the H.L.C.C. system). The main difference is that the International Code shows the wash temperature in the wash tub symbol. The temperatures quoted in these symbols are always the maximum. You will find, where relevant, both codings are shown beside each programme in the table on pages 5 and 6.

Having chosen the appropriate programme and poured in the required quantities of detergent and fabric conditioner into their separate compartments, you can now push in the selector button(s) as necessary, turn the programme knob to the programme required and switch on the machine. Your machine will then start and advance automatically through the programme and stop when the programme has been completed. You should bear in mind that if you are drawing water elsewhere in the house, while your washing machine is in use, this will reduce the flow of water into the machine and will slightly prolong the washing programme.

Note: a) If the anti-crease button has been pressed the washing will be left standing in the pre-wash water if programme 'A' has been selected. If programmes 'G'-'L' have been selected the washing is left suspended in water to limit creasing. To complete the programme cancel the button and the machine will automatically advance through the remainder of the programme.

b) If the anti-crease button has been left in, then the machine will not start programmes 'B'-'F'.

8 After the Wash

When the washing machine has finished, always switch off the machine and cancel any selector buttons which may have been used. You should always switch off the power supply at the wall socket, and turn off the stop cocks on the water inlet hoses.

Rotate the drum after removal of the washing, to ensure that small articles have not been overlooked. Finally, wipe the rubber door seal dry.

9 Care and Cleaning

Before carrying out any cleaning of your machine always make sure that the power is switched off at the wall socket.

Your machine will be kept in good condition if you carry out this recommended procedure:-

1. Check the soap dispenser, wipe away any powder deposits and dry the compartments thoroughly. To remove the soap dispenser pull it forward until it stops – then a slight downwards pressure and sharp pull forwards will release the drawer. Remove the syphon tubes, rinse them under a tap and replace them on their pillars (see fig. 7). To replace the drawer, push it firmly back into place.

Before replacing the drawer, remember to remove any residual detergent which may have built up in the drawer recess.

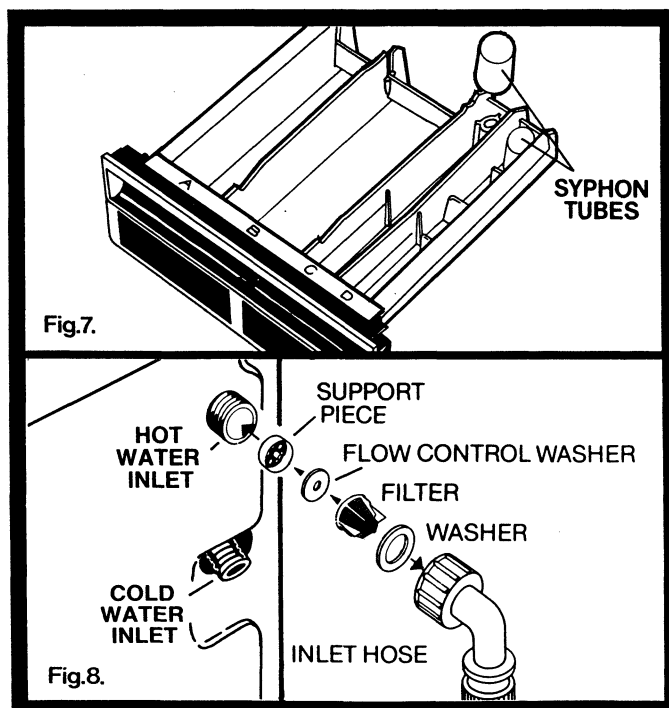
2. Wipe over the outside of your machine with a damp cloth only. Do not use any form of abrasive cleanser, such as metal polish, otherwise you will damage the surface. A wax polish may be used.

3. Clean the pump filter after every wash (see page 4)

4. Clean the inlet valve filters periodically. First turn off the stop cocks, turn the selector knob to programme C, and switch on the machine for a few minutes to empty both inlet hoses, then switch off the machine at the wall socket.

To remove the filters, unscrew the inlet hose couplings from the back of the machine (see fig. 8). The filters can then be withdrawn. Clean the filters by holding them under the running water and gently rubbing the filter surface.

5. Periodically you should run your machine through programme C using a descaler such as Calgon to remove any scale that may have formed. This should be carried out with the drum empty. After the cycle, allow air to circulate inside, by leaving the door ajar.



What to do and when

In the event of your machine developing a fault, you should quickly run through this check list before calling your local Electrolux Service Reception Unit, or Regional Service Office. (See page 11)

Machine oversuds

Stop machine. Advance the selector to the 'slow spin and drain' position (M) and restart machine. After the machine stops switch off, turn to start of programme selected, and switch on again. Do not add more detergent. Reduce detergent for future similar washes. Check that you are using the correct low lather detergent.

Machine stops in mid-programme, due to power cut or fault.

Check that the anti-crease button has not been pressed in leaving the clothes in water.

Check that the mains light is on. If it is off, switch off at the wall socket and check your plug and fuse. Check also that power is reaching your wall socket by plugging in another appliance.

If your power supply is in order and the machine does not function, whether or not the mains light is on, there is a fault in the machine. You should then switch off both the wall socket and the machine and drain the water from the machine.

To do this, lift the drain hose from the stand pipe or sink and lower the open end into a large bowl or bucket to drain the water. When your container is full, lift the hose up to stop the draining action and then empty the container. Care is necessary as the water may be very hot. Repeat this process until the machine is empty and then remove the clothes from the drum.

Machine does not start

Check that:-

1. The mains light is on.
2. If it is not, check that the electricity is switched on at the wall socket and that the fuse is in order.
3. That the water supply is turned on.
4. That the on/off button is pushed in.
5. That the door is properly closed.
6. Is the anti-crease button pushed in? If it is, this will prevent the machine operating on programmes B, C, D and F. Cancel the button.

Water does not enter machine although water and electricity are turned on.

Check cleanliness of inlet valve filters at the rear of the machine (see fig. 8 on page 8) and clean if necessary. Check that the hoses are not kinked.

Water enters the machine & continues to flow out resulting in the machine failing to start.

Check that your discharge hose is raised to the correct height – i.e. 27½in (700mm).

Machine slow to fill

Check that the water pressure is correct and that the water valve filters are clean. Also, check that the inlet hoses are not kinked.

Machine does not discharge water.

Check that outlet hose is not kinked.

Check that the anti-crease button has not been pressed in accidentally.

Check that the pump filter is not blocked – first by removing hose from standpipe and lowering the end into a bowl or bucket. If no water comes out, the filter is blocked and the machine must be manually emptied of water. This must be done carefully (and remember the water may be very hot) as follows:-

1. Open the filter door and place a receptacle (such as a baking tin or washing up bowl) beneath the filter outlet.
2. Carefully unscrew the filter cap and pull it out a short distance (keeping a firm grip) so that you can control the flow of water into the receptacle. As the receptacle fills, push the filter back and screw it tight.
3. Empty the receptacle and repeat the procedure until all water has been drained. To absorb any water spill, place old cloths or towels around the base of the machine.
4. Remove the filter and clean it.

Machine does not spin

Check that the pump filter is not blocked.

Stain Removal

For effective removal of stains the best course of action is to soak the stained item in a bowl of cold water as soon as possible after stain has been made. The more common food and organic stains will wash out in your machine. Some stains however, are stubborn and require special attention; some examples and remedies are given here.

When using stain removers, always read the instructions carefully and work in a well ventilated room. First test on a hidden area of the item that the dye or fabric is not affected.

Never leave stain removers within reach of children, never smoke while using the remover and never use near a naked flame.

Ballpoint and felt tip ink Dab with cotton wool pad soaked in methylated spirits.

Beach tar (oil) Use proprietary grease solvent (Dabitoft, Thawpit, etc.) and wash immediately.

Candle wax Scrape off wax and press between absorbent paper with a warm iron. Dab stained area with pad soaked in methylated spirits or white spirit.

Chewing gum Rub with ice cube or dip in cold water to harden, then scrape off excess. Dab with pad soaked with methylated spirits.

Iron Mould For wool, coloured synthetics and fine fabrics, rub in lemon juice, leave for 15 minutes and wash. Other fabrics, use iron mould remover such as 'Movol'.

Mildew For white cotton and linens only, rinse in a diluted solution of household bleach, vinegar, and water. Solution strength – 1 fluid oz. bleach, 5 pints of water, 1 teaspoon of vinegar; wash immediately. For other white fabrics use hydrogen peroxide (1 part to 4

parts water), soaking till clear. Rinse thoroughly and wash as usual. There is no treatment for coloured things. Regular washing in your machine with Persil Automatic should effect some improvement.

Contact Adhesive Clean with adhesive manufacturer's recommended solvent.

Cosmetics Use proprietary solvent (Dabitoft, Thawpit, etc.) and wash immediately.

Dyes Use dye solvent (Dygon) according to manufacturer's instructions.

Grass Dab with pad soaked in surgical spirit.

Grease Use proprietary grease solvent as for beach tar and cosmetics.

Emulsion paint Wash or rinse immediately in water; if allowed to dry, stain becomes permanent.

Gloss and undercoat Dab with pad soaked in paint brush cleaner/restorer (such as Polyclens) and wash immediately.

Cellulose Dab with pad soaked in appropriate solvent and wash immediately.

Some Common Articles & their Weights

Remember you should never wash more than 10 lb (4.5 kg) dry weight load of cotton, 4½ lb (2 kg) of synthetics or 2¼ lb (1 kg) of wool, at any one time. However, in addition to weight you will find the following tips useful.

(1) Bulky but light articles will take up more space than smaller heavier ones.

(2) Man-made fibres, while light, require plenty of freedom in the wash to limit creasing. So when washing these items avoid filling the drum to capacity.

Note: 1,000 grammes equals 1 kilogramme

Regular Wash				Personal			Special Wash				
Sheet	Cotton Double Single	2½ lb 1½ lb	(1.13 kg) (0.68 kg)	Shirt	Cotton Other	10 oz 7 oz	(238 g) (198 g)	Candlewick Bedspread	Double Single	7 lb 5 lb	(3.2 kg) (2.3 kg)
	Other Double Single	1½ lb 1¼ lb	(0.68 kg) (0.56 kg)	Blouse	Cotton Others	5 oz 4 oz	(142 g) (113 g)	Blanket	Wool Acrylic	4¼ lb 3¼ lb	(1.9 kg) (1.5 kg)
Cot sheet		6 oz	(170 g)	Cotton vest		4 oz	(113 g)	Dress	Cotton Others	17 oz 12 oz	(482 g) (340 g)
Pillowslip	Cotton Others	4 oz 3 oz	(113.4 g) (85 g)	Underslip		4 oz	(113 g)	Sweater Others	Wool Heavy Lightweight	14 oz 12 oz 6 oz	(397 g) (340 g) (170 g)
Bath towel		1½ lb	(0.68 kg)	Panties		2 oz	(57 g)	Skirt		7 oz	(198 g)
Hand towel		9 oz	(225 g)	Bras		1 oz	(28 g)				
Tablecloth	Small Large	8 oz 1½ lb	(227 g) (0.68 kg)	Pyjamas		12 oz	(340 g)				
4 Table Napkins		6 oz	(170 g)	Nightdress		5 oz	(142 g)				
				Socks long short	2 pairs 2 pairs	6 oz 3 oz	(170 g) (85 g)				
				6 Hankies		3 oz	(85 g)				
				1 doz. Nappies		2½ lb	(1.13 kg)				

Man-Made Fibres and their Treatment

When deciding which washing programme to use for items made from man-made fibres, it is important to understand that the different types require separate treatments. In this list you will find the various types, together with the more common brand names and the correct washing programme.

When in any doubt as to the appropriate programme to use for any fibre, whether or not it is a synthetic, you should always consult the garment manufacturer's recommendations.

Type of Man-Made Fibre	Correct Programme	H.L.C.C. Code	Ironing Notes
Acrylics Acetates and Tri-acetates: Acrilan, Albene, Arnel, Courtelle, Creslan, Crylor, Dicel, Dralon, Dolan, Dynel, Leacril, Lansil, Nymcrylor, Orlon, Redon, Rhodia, Rhonel, Teklan, Tricel, Verel, Zefran.	L		Use a COOL iron on DRY fabrics
Polyesters: Crimplene, Diolen, Dacron, Fortrel, Lirelle, Terylene, Trevira, Terlenka, Tergal, Teruisse, Teton.	K		Use a WARM iron when DRY if necessary
Nylons: Antron, Bri-Nylon, Blue C, Bri-Nova, Celon, Cantrece, Enkalon, Perlon, Rhodiaceta, Rilsan.	White	J	Use a WARM iron when DRY if necessary
	Coloured	K	
Viscose (formerly Rayon) Delustra, Darelle, Fibro, Rayon, Sarille, Vincel, Zantrel.	Colourfast at 40°C	E	Use a MEDIUM HOT iron on wrong side when fabric is DAMP
	Colourfast at 60°C	C	
	a) Heavy soiling b) Normal soiling	D	

Care Labelling in the U.K.

To help housewives all over the country to know what washing conditions should be followed, the Home Laundering Consultative Council was formed from representatives of Washing Powder and Washing Machine Manufacturers and the Textile Trade. The Council determined 8 Washing Processes known as the British Textile Care Labelling Scheme and although this Scheme has been superseded by a later more universal system, garment labels and washing machine controls and instructions produced under the 8 British Codes will still be in evidence.

In January 1974, a new system, the result of negotiations between the Home Laundering Consultative Council and the International Care Labelling Symposium, came into being. This is known as The International Textile Care Labelling Code, and 11 Wash Codes were determined under this new system. Nine of these codes apply to machine washing (there is also a different hand washing version).

What the Symbols mean

	The wash Tub Symbol indicates a particular washing process most appropriate to a fabric or group of fabrics. It recommends: – a) The maximum safe washing temperature. b) The amount of agitation during the wash. c) The method of water extraction.
	The 9 symbols which apply to machine washing incorporate the code number and the maximum wash temperature.
	The 2 other symbols within the international code symbols are: –
	Do not machine wash.
	Do not wash.

Other Symbols Within the International System

Dry Cleaning	
	A circle is the symbol used for dry-cleaning instructions. It will never appear on its own but will have additional information as follows:
	Articles normal for dry-cleaning in all solvents.
	Articles normal for dry-cleaning in perchlorethylene, white spirit, Solvent 113 and Solvent 11.
	Articles normal for dry-cleaning in white spirit or Solvent 113.
	Do not dry-clean.

Bleaching	
	A triangle is the symbol used to indicate that bleach may be used.
	Sometimes the triangle contains the letters "CL" which stands for chlorine. It therefore means a household (chlorine) bleach such as "Domestos".
	If the symbol is crossed out, this means that household (chlorine) bleach must not be used; if this instruction is ignored the fabric/finish dye could be seriously affected.

Ironing	
	This symbol is used to provide ironing instructions. The number of dots within the symbol is varied to indicate the correct temperature setting, as follows: –
	One dot = cool.
	Two dots = warm.
	Three dots = hot.
	Crossed out = do not iron.

Drying Symbols used by other countries	
	Articles can be tumble-dried.
	Drip drying is recommended.
	Hang = line dry.
	Dry flat.

Guarantee

THIS GUARANTEE IS OFFERED TO YOU AS AN EXTRA BENEFIT AND DOES NOT AFFECT YOUR LEGAL RIGHTS.

Electrolux products are carefully designed, manufactured, tested and inspected and, in consequence, we undertake to replace or repair any part found to be defective in material or workmanship within one year of delivery to the original purchaser, free of charge.

The guarantee is conditional upon the appliance being correctly installed and used in accordance with the Company's instructions under normal domestic conditions within the United Kingdom or the Republic of Ireland. It may, however, be invalidated by unauthorised repair or modification of the appliance. Please read the installation and operating instructions carefully.

The Company does not accept liability for defects arising from neglect, misuse or accident.

Customers are asked to assist the Company to carry out its undertaking under this guarantee by filling in the details on the enclosed registration card and returning it within 14 days. This will provide valuable statistical information.

Proof of the date of purchase will be required before free service is provided. Addresses where services can be requested are listed below.

For your future reference, please enter the date of purchase of your washing machine in this panel.

/ /

ELECTROLUX SERVICE ORGANISATION

Should you require help or service in connection with your Electrolux washing machine, please contact the Service Office for your area (see list below or consult your local telephone directory under Electrolux Ltd.) and specify the model number of your machine. Before writing or telephoning for service please check whether your problem is covered on page 9 under "What to do and when".

You may wish to consider taking out our Guaranteed Maintenance Scheme which covers the cost of repairs in the event of a breakdown. Details of this scheme can be obtained from the Regional Service Offices.

SOUTHERN REGION

Electrolux Ltd., Hippodrome House, Birchett Rd., Aldershot, Hants GU11 1LU
Aldershot 24505 (STD code 0252)

Avon and Somerset. 3 Waring House, Redcliffe Hill, Bristol 211876 (STD code 0272)

Brighton area. 31 Bristol Gardens, Kempton, Brighton 694341 (STD code 0273)

Buckinghamshire and Watford. High Wycombe 41042 (STD code 0494)

Cheltenham area. 16 Suffolk Parade, Cheltenham, Gloucestershire, Cheltenham 584051 (STD code 0242)

Croydon area. Airport House, Purley Way, Croydon (01) 688 2516 (Spares only)

Devon and Cornwall. 231 Albert Road, Devonport, Plymouth 58161 (STD code 0752)

Jersey. 1A Victoria Road, Georgetown, St. Saviour, Central 22138 (STD code 0534)

Maidstone area. 128 Sutton Road, Maidstone 677727 (STD code 0622)

Southampton area. 23A Church Street, Shirley, Southampton SO1 5LG
Southampton 785231 (STD code 0703)

LONDON REGION

Electrolux Ltd., Lancelot Road, Wembley, Middx.
01-900 1204 (Spares only)
01-903 1433 (Requests for service)

Thames area of Essex. 638 London Road, Westcliffe, Southend 354313 (STD code 0702)

MIDLANDS & SOUTH WALES REGION

Electrolux Ltd., 3 Strensham Hill, Moseley, Birmingham B13 8AQ (021-449 5252)

Luton area

Electrolux Ltd., Oakley Road, Luton, Beds, LU4 9QQ
Luton 573255 (STD code 0582) (Spares only)
Luton 575966 (STD code 0582) (Requests for service)

Norwich area. 1 Malthouse Lane, Norwich, Norwich 667017 or 667018 (STD code 0603)

Nottingham area. 213 Derby Road, Bramcote, Nottingham 396927 (STD code 0602)

Potteries area. 107 Church Street, Stoke-on-Trent 413414 (STD code 0782)

South Wales area. 19 David Street, Cardiff 387444 (STD code 0222)
Powell Duffryn House, Adelaide Street, Swansea 51848 (STD code 0792)

NORTHERN REGION

Electrolux Ltd., Altham Lane, Altham, Accrington BB5 5XY
Padiham 74621 (STD code 0282)

Liverpool area. 1 Honeys Green Precinct, Honeys Green Lane, Liverpool L12 9JH
051-220 8014

Manchester area. 88 Bury Old Road, Whitefield, Manchester (061-798 9689)

Merseyside & North Wales area. 141 Brook Street, Chester 312038 (STD code 0244)

Sheffield area. 51 Penistone Road North, Sheffield 338674 (STD code 0742)

Yorkshire. 70 Cross Gates Road, Leeds 608511 (STD code 0532)

SCOTLAND & NORTH EASTERN REGION

Electrolux Ltd., 5 Wellington Street, Glasgow G2 6JB (041-204 0411)

Aberdeen area. 8 Cornhill Arcade, Cornhill Drive, Aberdeen 695761 (STD code 0224)

Ayrshire area. Unit 'E', Tam's Brig, Limekiln Road, Ayr 262242 (STD code 0292)

Carlisle area. 116 Denton Street, Denton Holme, Carlisle CA2 5HB
Carlisle 44568 (STD code 0228)

Dundee area. 119 Hilltown, Maxwell Shopping Precinct, Dundee 22630 (STD code 0382)

Edinburgh area. 4 Lochrin Place, Tollcross, Edinburgh 1232 (STD code 031-229)

Inverness area. 3 Charleston Court, Kinmylies, Inverness 223056 (STD code 0463)

Teeside/N. Yorks. area. 49 Mandale Road, Thornaby, Stockton-on-Tees 674848 (STD code 0642)

Tyne & Wear/Durham areas. Suite 3, Saltwell House, Lobley Hill Road, Gateshead. 600440/41 (STD code 0632)

NORTHERN IRELAND

Electrolux Ltd., Unit C3, Edenderry Industrial Estate, 326 Crumlin Road, Belfast, BT14 7EE
Belfast 740/296/7 (STD code 0232)

REPUBLIC OF IRELAND

J.S. Distributors Ltd., Jamestown Road, Inchicore, Dublin 8.
Dublin 0001-783 144