

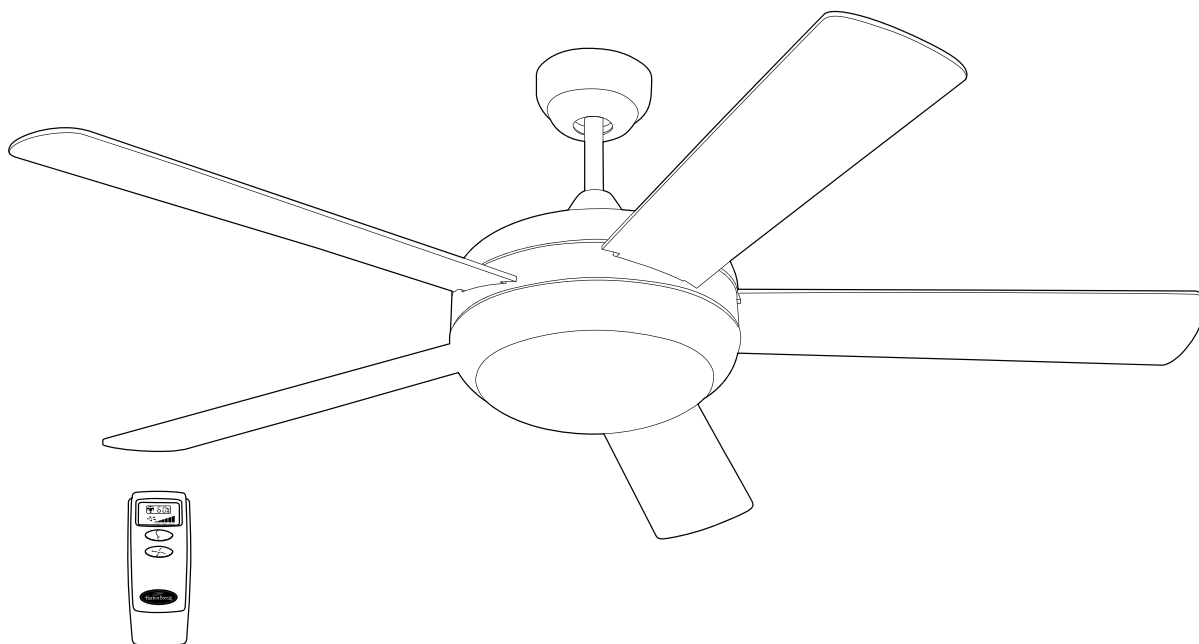


AERO CEILING FAN

MODEL #E-AER52BRZ5LKRCI

Español p. 20

Harbor Breeze® is a registered trademark of LF, LLC. All Rights Reserved.



Federal regulations require ceiling fans with light kits manufactured or imported after January 1, 2009, to limit total wattage consumed by the light kit to 190W. Therefore, this fan is equipped with a wattage limiting device.



ATTACH YOUR RECEIPT HERE

Serial Number _____ Purchase Date _____



Questions, problems, missing parts? Before returning to your retailer, call our customer service department at **1-800-643-0067**, 8 a.m. - 6 p.m., EST, Monday - Thursday, 8 a.m. - 5 p.m., EST, Friday.



Lowes.com/harborbreeze

TABLE OF CONTENTS

Safety Information	2
Package Contents	4
Hardware Contents	5
Preparation	5
Initial Installation	6
Fan Mounting	8
Wiring	11
Final Installation	13
Automated Learning Process/Activating Code	14
Operating Instructions.....	15
Care and Maintenance	17
Troubleshooting.....	17
Limited Lifetime Warranty	18
Replacement Parts List	19



SAFETY INFORMATION

READ AND SAVE THESE INSTRUCTIONS

Please read and understand this entire manual before attempting to assemble, install or operate the product.

- Do not discard fan carton or foam inserts. Should this fan need to be returned to the factory for repairs, it must be shipped in its original packaging to ensure proper protection against damage that might exceed the initial cause for return.
- Make sure all electrical connections comply with local codes, ordinances, the National Electrical Code and ANSI/NFPA 70-1999. Hire a qualified electrician or consult a do-it-yourself wiring handbook if you are unfamiliar with installing electrical wiring.
- Make sure the installation site you choose allows a minimum clearance of 7 ft. from the blades to the floor and at least 30 in. from the end of the blades to any obstruction.
- After you install the fan, make sure all connections are secure to prevent the fan from falling.
- The net weight of this fan including the light kit is 21.54 lbs.



WARNING



To reduce the risk of fire, electrical shock or personal injury, mount fan to outlet box marked "ACCEPTABLE FOR FAN SUPPORT OF 35 LBS. (15.9 KG) OR LESS" and use mounting screws provided with the outlet box. Most outlet boxes commonly used for the support of lighting fixtures are not acceptable for fan support and may need to be replaced. Consult a qualified electrician if in doubt.

When mounting fan to a ceiling outlet box, use a METAL octagonal outlet box. Secure the outlet box directly to the building structure. The outlet box and its support must be able to support the moving weight of the fan (at least 35 lbs.). Do NOT use a plastic outlet box.

To avoid personal injury, the use of gloves may be necessary while handling fan parts with sharp edges.

To reduce the risk of fire, electrical shock or personal injury, wire connectors provided with this fan are designed to accept only one 12-gauge house wire and two lead wires from the fan. If your house wire is larger than 12-gauge or there is more than one house wire to connect to the corresponding fan lead wires, consult an electrician for the proper size wire connectors to use.

To reduce the risk of fire or electrical shock, do not use the fan with any solid state speed control device or control fan speed with a full range dimmer switch.

To reduce the risk of fire, electrical shock or personal injury, do not bend the blade arms when installing them, balancing the blades or cleaning the fan. Do not insert objects between the rotating fan blades.

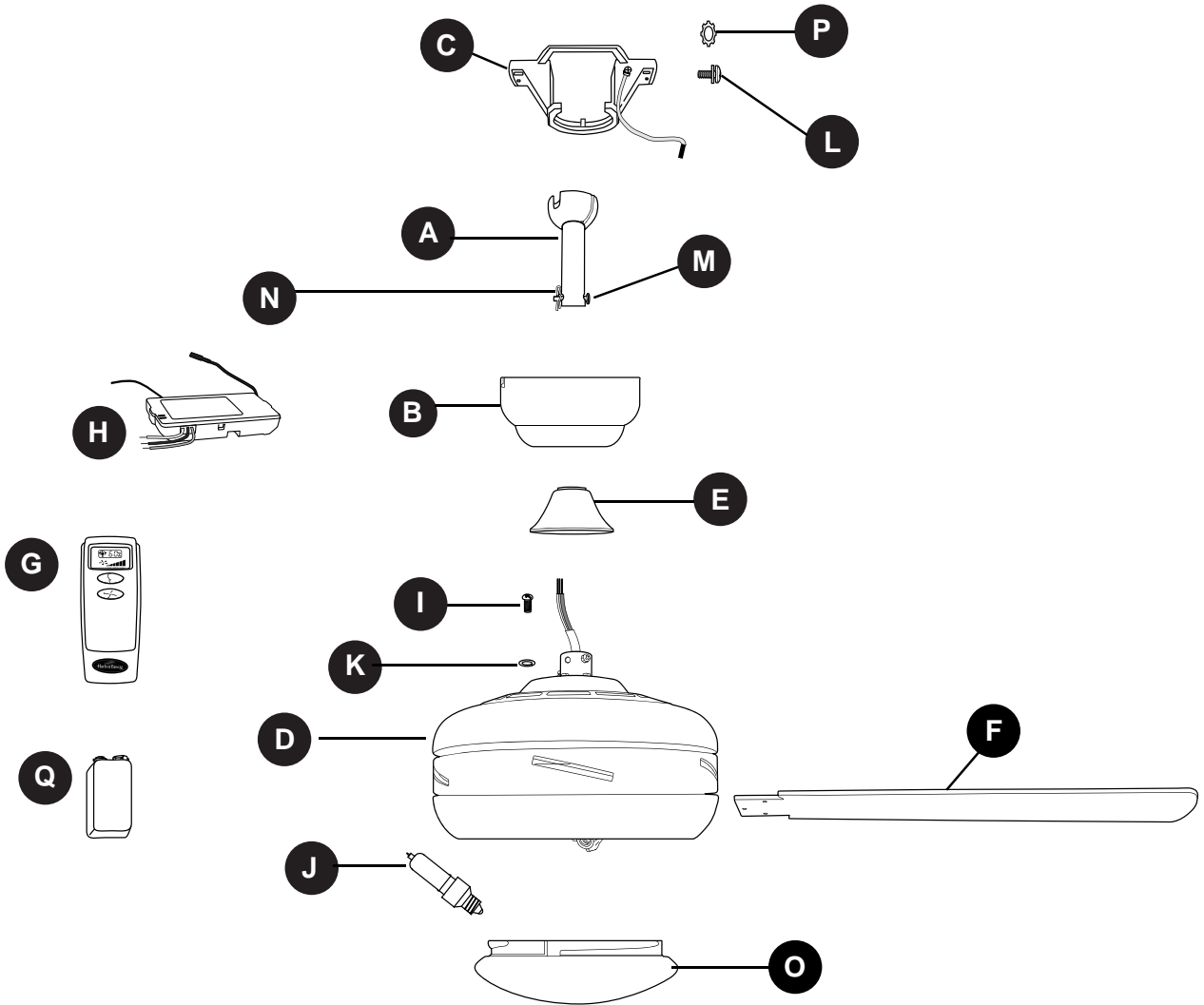
To reduce the risk of personal injury, use *only* parts provided with this fan. The use of parts *OTHER* than those provided with this fan will void the warranty.

CAUTION

Before proceeding, be sure to shut off electricity at main switch or circuit breaker in order to avoid electrical shock.

Read all instructions and safety information before installing your new fan. Review the accompanying assembly diagrams.

PACKAGE CONTENTS



PART	DESCRIPTION	QUANTITY
A	Downrod	1
B	Canopy	1
C	Mounting Bracket	1
D	Motor Housing	1
E	Yoke Cover	1
F	Blade	5
G	Remote Control Transmitter	1
H	Remote Control Receiver	1
I	Motor Screw (preassembled)	6
J	Bulb	1
K	Lock Washer (preassembled)	6

PART	DESCRIPTION	QUANTITY
L	Canopy Mounting Screw (preassembled)	4
M	Pin (preassembled)	1
N	Clip (preassembled)	1
O	Glass Shade	1
P	Star Washer (preassembled)	4
Q	Battery	1

⚠ IMPORTANT REMINDER: You must use the parts provided with this fan for proper installation and safety.

HARDWARE CONTENTS (shown actual size)

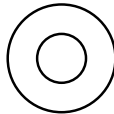
AA



Blade
Screw

Qty. 15
+ 1 extra

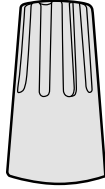
BB



Fiber
Blade
Washer

Qty. 15
+ 1 extra

CC



E3 Wire
Connector

Qty. 6
+ 4 extra

PREPARATION

Before beginning assembly of product, make sure all parts are present. Compare parts with package contents list and hardware contents list. If any part is missing or damaged, do not attempt to assemble the product.

Estimated Assembly Time: 120 minutes

Tools Required for Assembly (not included): Electrical Tape, Phillips Screwdriver, Pliers, Safety Glasses, Stepladder and Wire Strippers

Helpful Tools (not included): AC Tester Light, Tape Measure, Do-It-Yourself Wiring Handbook and Wire Cutters

⚠ DANGER: When using an existing outlet box, make sure the outlet box is securely attached to the building structure and can support the full weight of the fan. Failure to do this can result in serious injury or death. The stability of the outlet box is essential in minimizing wobble and noise in the fan after installation is complete.

⚠ CAUTION: Be sure outlet box is properly grounded and that a ground wire (green or bare) is present.

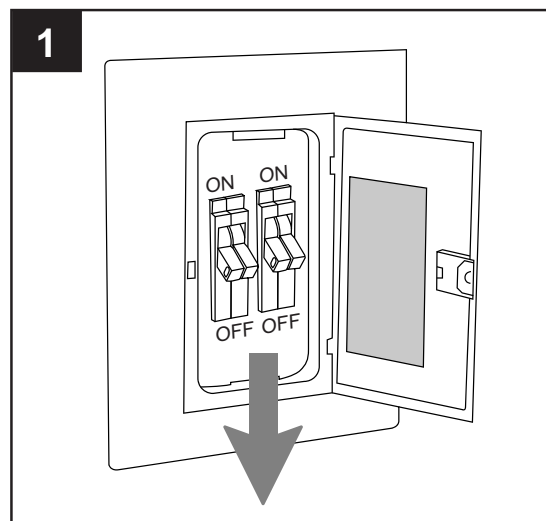
After opening top of carton, remove mounting hardware package from foam inserts. Remove motor from packing and place on carpet or on foam to avoid damage to finish.

⚠ CAUTION: Carefully check all screws, bolts and nuts on fan motor assembly to ensure they are secured.

INITIAL INSTALLATION

1. Turn off circuit breakers and wall switch to the fan supply line leads.

⚠ DANGER: Failure to disconnect power supply prior to installation may result in serious injury or death.



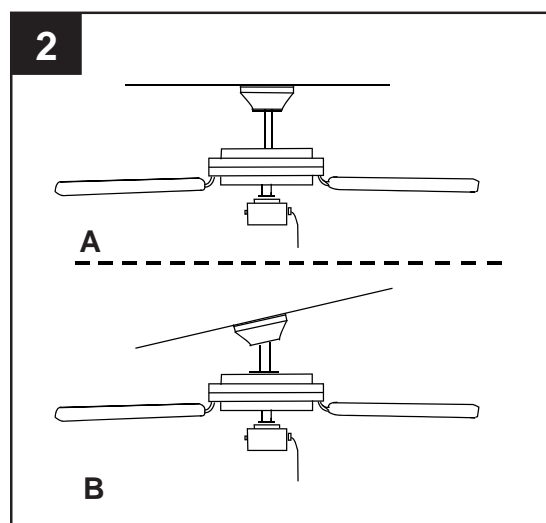
2. Determine mounting method to use.

A. Standard mount

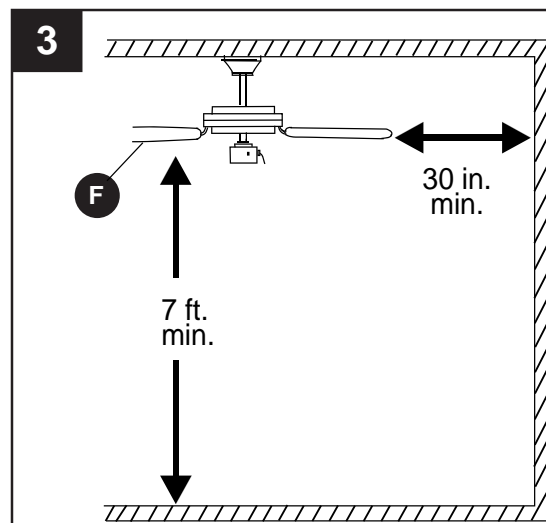
B. Angle mount

IMPORTANT: If using the angle mount, ensure the ceiling angle is not steeper than 19°.

***Helpful Hint:** Standard mounting is best suited for ceilings 8 ft. high or higher. For taller ceilings you may want to use a longer downrod (not included). Angle mounting is best suited for angled or vaulted ceilings. A longer downrod is sometimes necessary to ensure proper blade clearance.



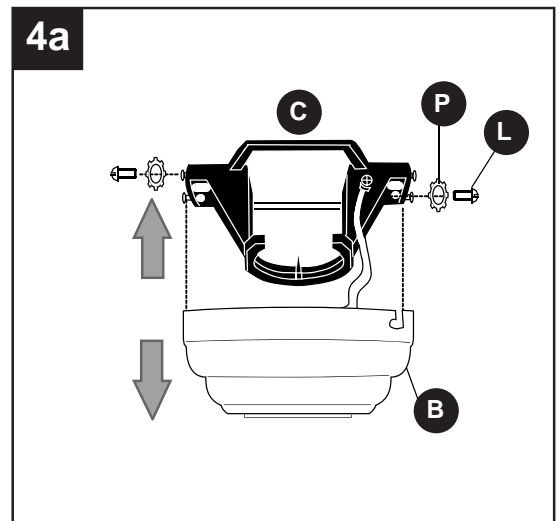
3. Check to make sure blades (F) are at least 30 in. from any obstruction and at least 7 ft. above the floor.



INITIAL INSTALLATION

- 4a. Loosen canopy mounting screws (L) in slotted holes of canopy (B) and remove the other two canopy mounting screws (L) and star washers (P) *save for later use*.

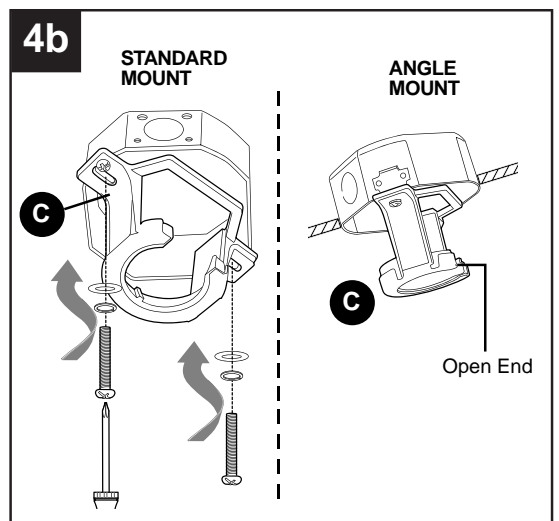
Remove mounting bracket (C) from canopy (B).



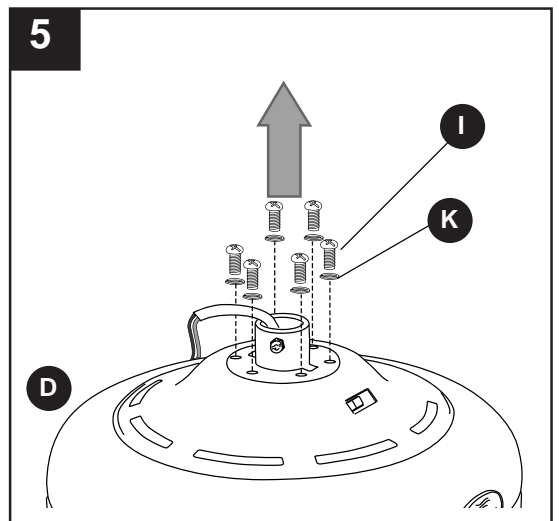
- 4b. Secure mounting bracket (C) to outlet box (not included) using screws, spring washers and flat washers provided with the outlet box.

***NOTE:** It is very important you use the proper hardware when installing the mounting bracket (C) as this will support the fan.

IMPORTANT: If using the angle mount, make sure open end of mounting bracket (C) is installed facing the higher point of the ceiling.

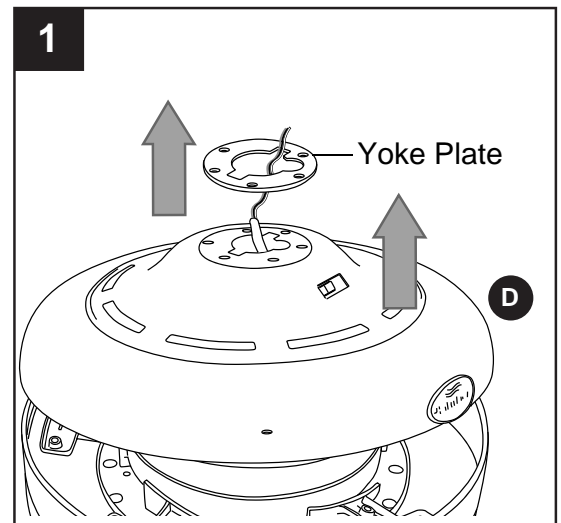


5. Remove motor screws (I) and lock washers (K) from top of motor housing (D) *save for later use*.



FAN MOUNTING

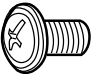
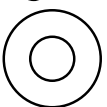
1. Lift the preassembled yoke plate and the top of motor housing (D) from motor and set aside.

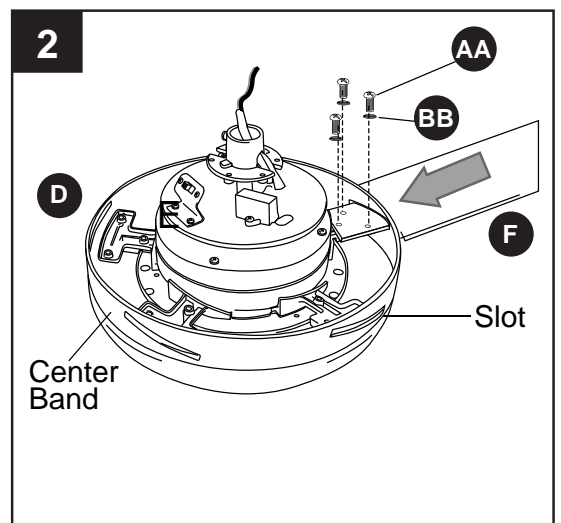


2. Insert the blade (F) through the slot on the band on the motor housing (D). Align holes in blade (F) with holes inside motor. Partially insert three blade screws (AA), along with three fiber blade washers (BB), to attach blade (F) to motor. Then tighten each blade screw (AA), starting with the one in the middle. Repeat procedure for remaining blades (F).

Time Saver: Fiber blade washers (BB) can be set on each blade screw (AA) prior to installing blades (F).

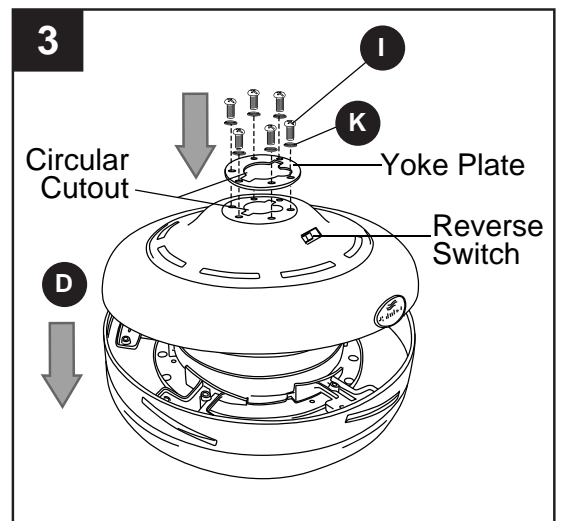
Hardware Used

AA	Blade Screw		x 15
BB	Fiber Blade Washer		x 15



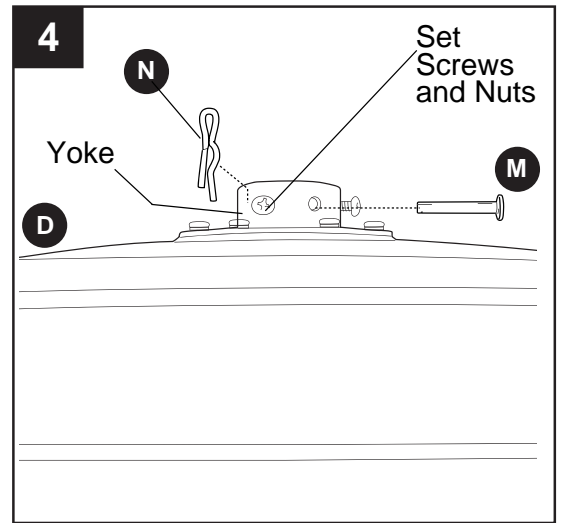
3. Replace top of motor housing (D) and yoke plate and secure with motor screws (I) and lock washers (K) previously removed (Step 5, page 7).

IMPORTANT: Circular cutout on motor housing (D) and yoke plate should line up over electrical wiring and the opening for the reverse switch should line up with the reverse switch.

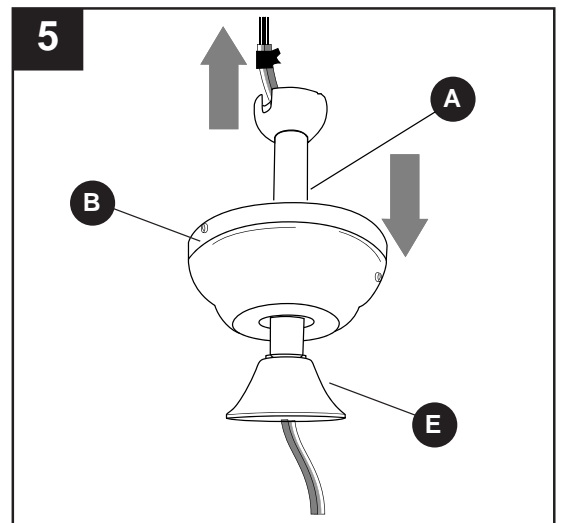


FAN MOUNTING

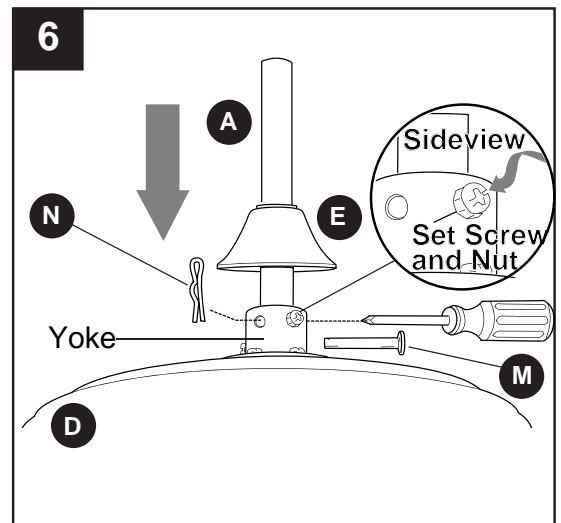
4. Remove pin (M) and clip (N) from yoke at the top of motor housing (D) and partially loosen preassembled set screws and nuts.



5. Insert downrod (A) through canopy (B) and yoke cover (E). Thread wires from motor housing (D) through downrod (A).



6. Slip downrod (A) into yoke, align holes and re-install pin (M) and clip (N). Tighten set screws in yoke and then tighten preassembled nuts on the set screws.

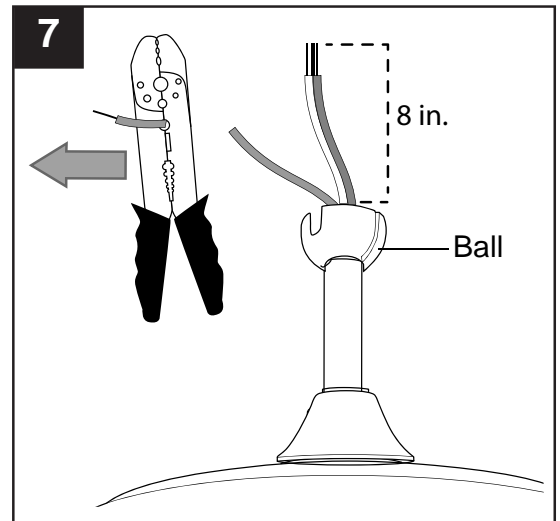


FAN MOUNTING

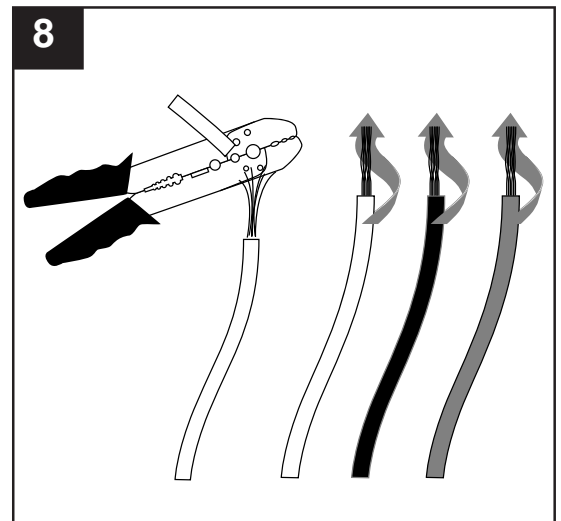
- Depending on the length of downrod you use, you may need to cut the lead wires back to simplify the wiring. If you decide to cut back the lead wires, it is suggested you do so in the following manner:

Take the lead wires and make sure you have pulled them all the way through the top of the downrod. Start at the TOP of the ball on the downrod and measure 8 in. of lead wire, and then cut the excess wire off with wire cutters (not included).

NOTE: If you do *not* cut back the lead wires, **Steps 7 and 8 are not necessary and you may proceed to Step 9 instead.**

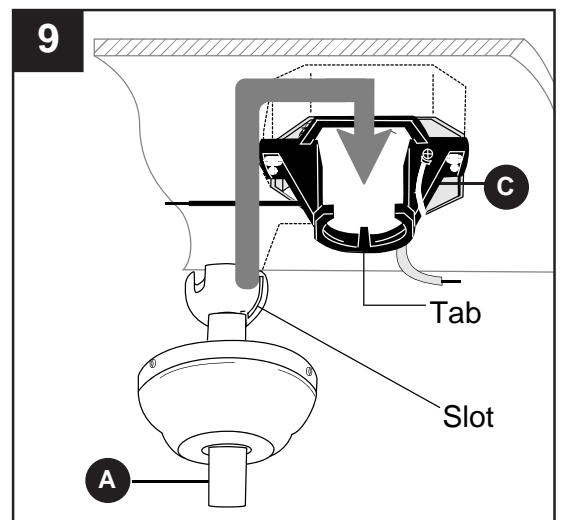


- If you decided to cut back the lead wires in Step 7, strip 1/2 in. of insulation from end of white wire. Twist stripped ends of each strand of wire within the insulation with pliers (not included). Repeat Step 8 for black, blue (if applicable) and green wires.



- Install ball of downrod (A) into opening of mounting bracket (C). Align slot in ball with tab in mounting bracket (C).

⚠ DANGER: Failure to align slot in ball with tab may cause the fan to wobble or fall, which could result in serious injury or death.



WIRING

⚠ WARNING: To reduce the risk of fire, electrical shock, or personal injury, wire connectors provided with this fan are designed to accept only one 12-gauge house wire and two lead wires from the fan. If your house wire is larger than 12-gauge or there is more than one house wire to connect to the corresponding fan lead wires, consult an electrician for the proper size wire connectors to use.

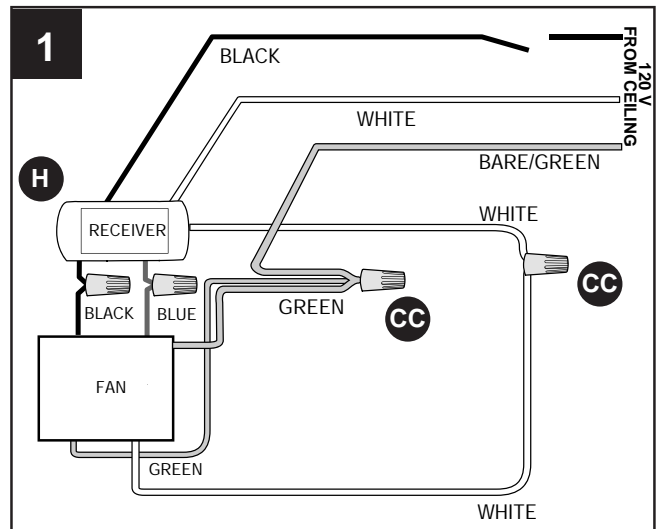
⚠ CAUTION: Be sure outlet box is properly grounded and that a ground (green or bare) wire is present.

⚠ WARNING: If house wires are different colors than referred to in the following steps, stop immediately. A professional electrician is recommended to determine wiring.

NOTE: BLACK and BLUE wires are hot power for fan. WHITE wire is common for fan. GREEN/BARE wire is ground.

1. Make the necessary wiring connections for remote control operation according to drawing at right. For each wire connection, use one of the wire connectors (CC), making sure to screw wire connector (CC) on in a clockwise direction. [Make sure to connect all GROUND (GREEN) wires together from fan (on downrod (A)) and mounting bracket (C)) to BARE/GREEN wire from ceiling.]

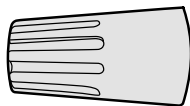
NOTE: Assistance from another person is recommended for this step.



Hardware Used



E3 Wire Connector



x 4



WIRING

2. Wrap electrical tape (not included) around each individual wire connector (CC) down to the wire.

⚠ WARNING: Make sure no bare wire or wire strands are visible after making connections. Place green and white connections on opposite side of box from the BLACK and BLUE (if applicable) connections.

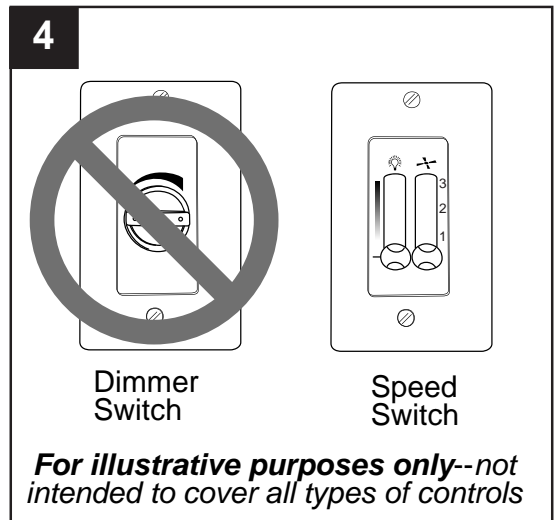
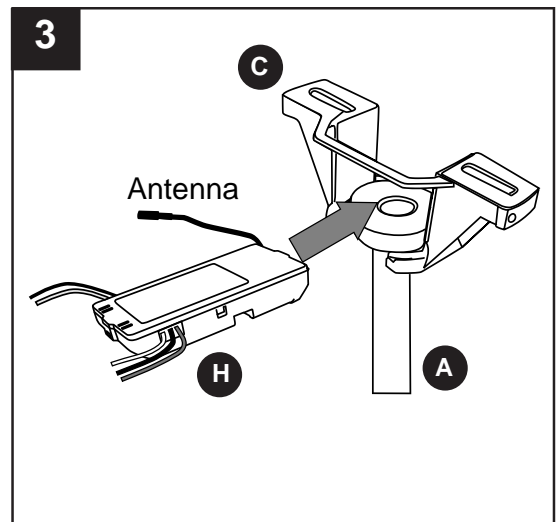
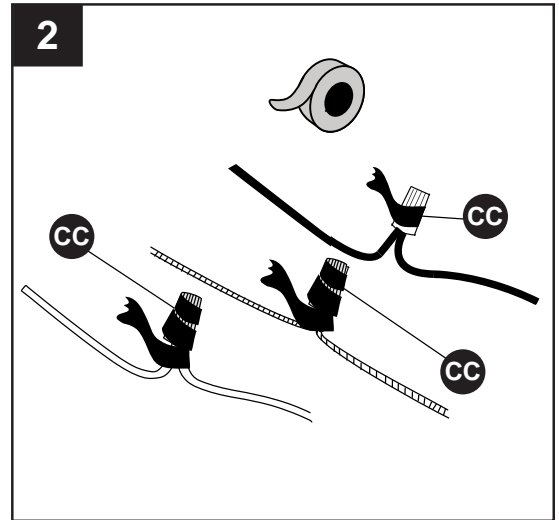
3. Gently slide remote control receiver (H) flat-side up into mounting bracket (C). Turn spliced/taped wires upward and gently push wires and wire connectors (AA) into outlet box. Let antenna from remote control receiver (H) hang to the side.

NOTE: The remote control included with this fan meets the following requirements:

- a. Not for use with solid state fans.
- b. Electrical rating: 120V / 60 Hz;
motor amps: 1.25 MAX.;
light watts: 300
(Incandescent only)

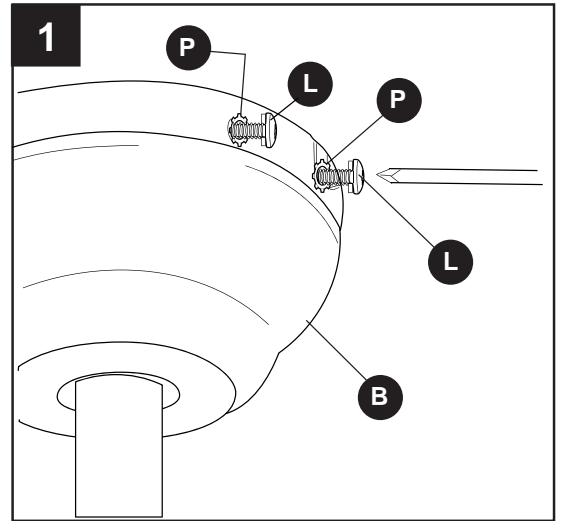
Should you choose to use a different remote control with this fan, it must also meet these same requirements.

4. **IMPORTANT:** Using a full range dimmer switch (not included) to control fan speed will cause a loud humming noise from fan. To reduce the risk of fire or electrical shock, do NOT use a full range dimmer switch to control fan speed.



FINAL INSTALLATION

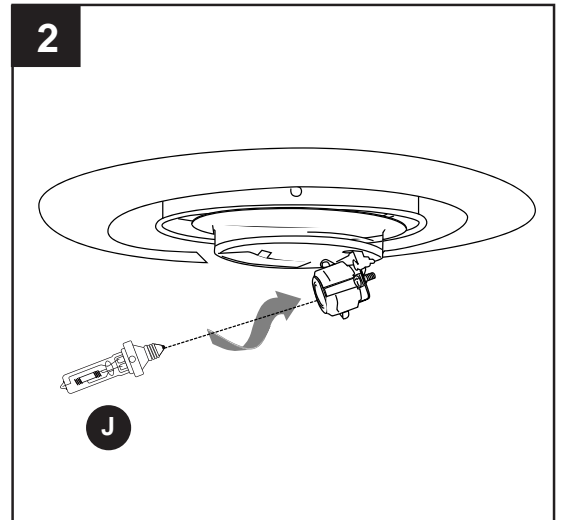
1. Lift canopy (B) to mounting bracket (C) and align slotted holes in canopy (B) with loosened canopy mounting screws (L) in mounting bracket (C). Twist canopy (B) to lock, then insert the two canopy mounting screws (L) and star washers (P) previously removed (Step 4a, page 7). Tighten all canopy mounting screws (L) securely.



2. Install bulb (J).

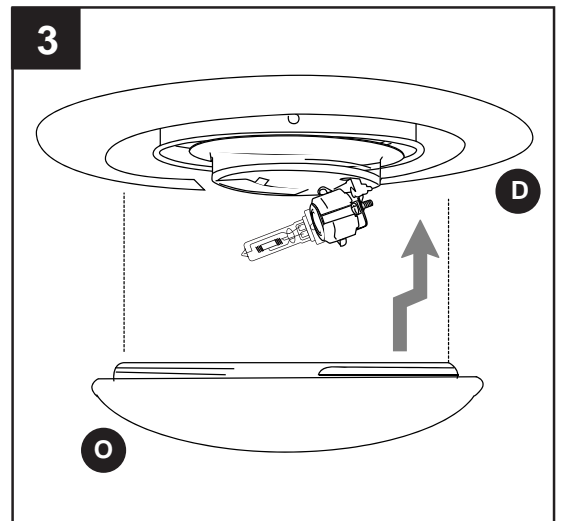
Tip: Do not touch glass portion of bulb (J) with fingers or hands. Oil from skin can cause bulb (J) to overheat and go out prematurely. Use cardboard box or foam wrapping bulb (J) as packed with to layer around glass portion of bulb (J).

IMPORTANT: When replacing bulb, allow bulb and glass shade to cool down before touching. Keep in mind not to touch the bulb itself as described above.



3. Align openings in grooves of glass shade (O) with nodules on underside of motor housing (D). Turn glass shade (O) clockwise until it no longer turns.

Pull down very gently on glass shade (O) to ensure it is securely attached.



AUTOMATED LEARNING PROCESS/ACTIVATING CODE

⚠ CAUTION: The remote control transmitter (G) can be programmed to multiple receivers or fans. If this is **not** desired, turn wall switch off to any other programmable receiver or fan.

1. Remove battery cover from back of remote control transmitter (G).

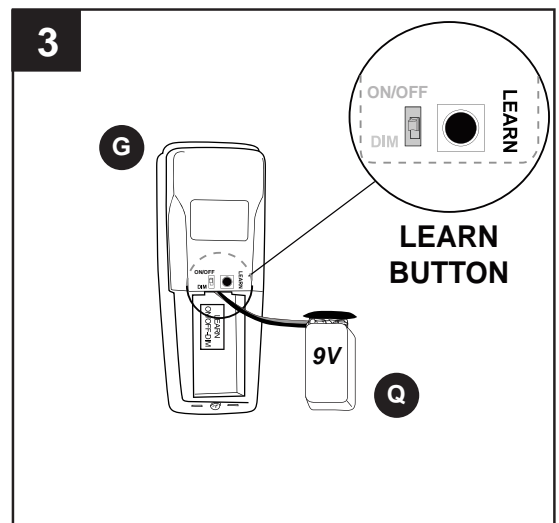
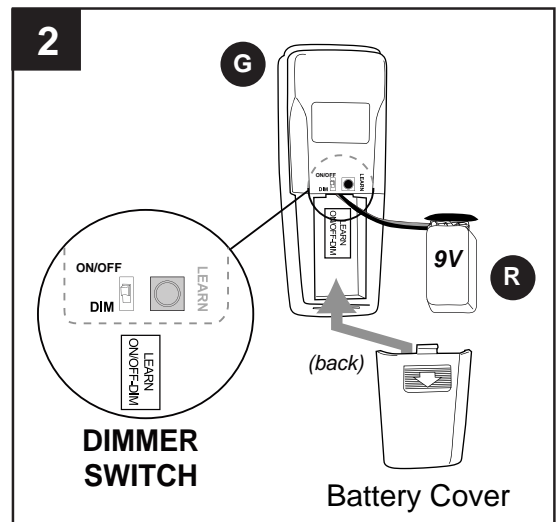
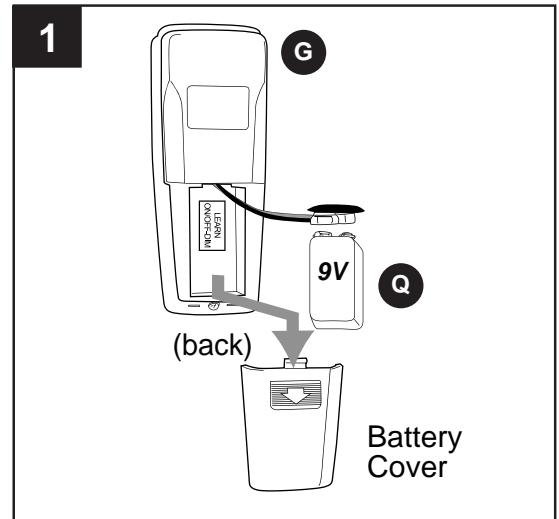
Locate battery (Q) in hardware pack, then remove plastic wrap from battery (Q). Install battery (Q) but leave battery (Q) **outside** of battery compartment until learning process is complete.

2. Locate dimmer switch on left-hand side at top of battery compartment. Dimmer switch has been pre-set to the “ON” position (DIM). [Note: If you prefer **not** to have dimming capability, set the dimmer switch to the “OFF” position (ON/OFF)].

Place battery (Q) in battery compartment and then replace battery cover on back of remote control transmitter (G).

3. Restore electrical power. Within 30 seconds of restoring electrical power, press the “LEARN” button, located on right-hand side at top of battery compartment, for 3 seconds or until fan switches to MEDIUM speed. Use the remote control transmitter (G) to test the light and fan functions (see Operating Instructions for Remote Control and Fan on page 15) to confirm the learning process is complete.

IMPORTANT: To prevent damage to remote control transmitter (G), remove the battery (Q) if not used for long periods. Store the remote control transmitter (G) away from excess heat.



AUTOMATED LEARNING PROCESS/ACTIVATING CODE

Modifications not approved by the party responsible for compliance could void the user's authority to operate the equipment.

***NOTE:** This equipment has been tested and found to comply with the limits for a Class B digital device, pursuant to Part 15 of the FCC Rules. These limits are designed to provide reasonable protection against harmful interference in a residential installation. This equipment generates, uses and can radiate radio frequency energy and, if not installed and used in accordance with the instructions, may cause harmful interference to radio communications. However, there is no guarantee that interference will not occur in a particular installation. If this equipment does cause harmful interference to radio or television reception, which can be determined by turning the equipment off and on, the user is encouraged to try to correct the interference by one or more of the following measures:



- * Reorient or relocate the receiving antenna.
- * Increase the separation between the equipment and receiver.
- * Connect the equipment into an outlet on a circuit different from that to which the receiver is connected.

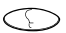
Consult the dealer or an experienced radio/TV technician for help.


OPERATING INSTRUCTIONS

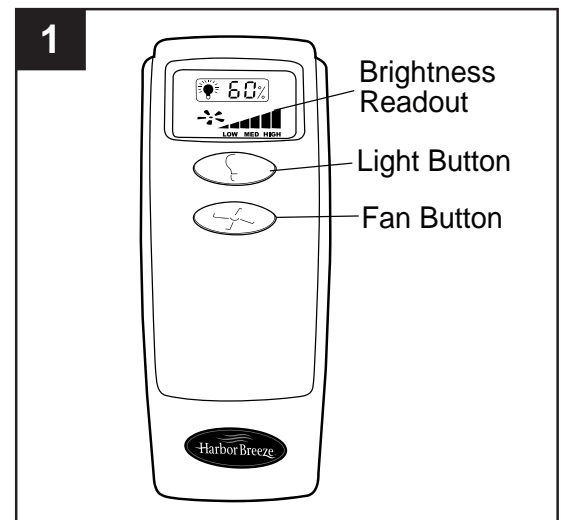
1. Operation buttons on the panel of the remote control transmitter (G):

FAN  For fan SPEED and to turn fan OFF

Pressing the  button cycles the fan from HIGH to MEDIUM to LOW and then OFF. Liquid crystal display shows each function as  button is pressed.

LIGHT  For light BRIGHTNESS and to turn light OFF

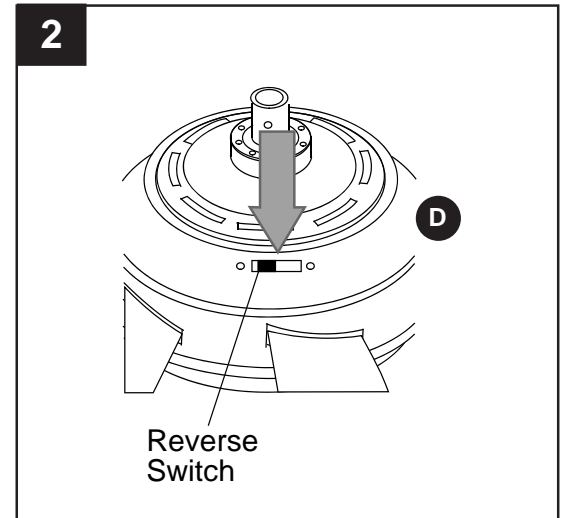
Hold  button down to increase or decrease light; brightness shows as a percentage on display. Tap button quickly to turn light on or off. If you press and hold the button in excess of 0.7 seconds, it becomes a dimmer. (See Step 2 on page 14 regarding dimmer switch.) The light varies cyclically in 0.8 seconds. The light button has an auto resume function, which keeps the light at the same brightness as the last time it was turned off.



OPERATING INSTRUCTIONS

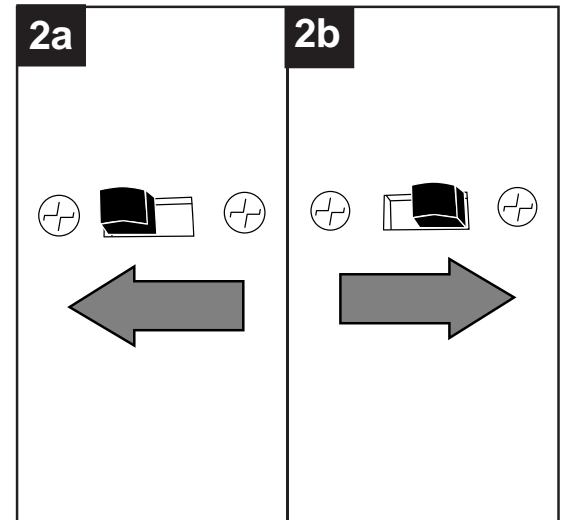
- Use the fan reverse switch, located on top of the motor housing (D), to optimize the fan for seasonal performance. A ceiling fan will allow you to raise your thermostat setting in summer and lower your thermostat setting in winter without feeling a difference in your comfort.

NOTE: Wait for fan to stop before moving the reverse switch.

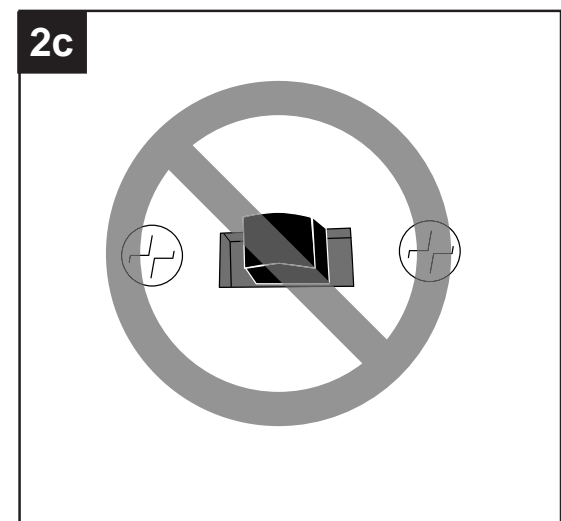


2a. In **warmer** weather, setting the reverse switch in the *LEFT* position will result in downward airflow creating a wind chill effect.

2b. In **cooler** weather, setting the reverse switch in the *RIGHT* position will result in upward airflow that can help move stagnant, hot air off the ceiling area.



2c. **IMPORTANT:** Reverse switch must be set either **completely LEFT** or **completely RIGHT** for fan to function. If the reverse switch is set in the *middle* position, fan will not operate.



CARE AND MAINTENANCE

At least twice each year, lower canopy (B) to check downrod (A) assembly, and then tighten all screws on the fan. Clean motor housing (D) with only a soft brush or lint-free cloth to avoid scratching the finish. Clean blades (F) with a lint-free cloth. You may occasionally apply a light coat of furniture polish to wood blades for added protection.

IMPORTANT: Shut off main power supply before beginning any maintenance. Do not use water or a damp cloth to clean the ceiling fan.

Bulb Replacement: Use 100-watt max. halogen bulb, type JD E11.

Battery Replacement (Remote Control): Use 9-volt Alkaline battery.

TROUBLESHOOTING

⚠ WARNING: Before beginning work, shut off the power supply to avoid electrical shock.

PROBLEM	POSSIBLE CAUSE	CORRECTIVE ACTION
Fan does not move.	<ol style="list-style-type: none"> Reverse switch not engaged. Power is off or fuse is blown. Faulty wire connection. 	<ol style="list-style-type: none"> Push switch firmly either left or right. Turn power on or check fuse. Turn power off. Loosen canopy and check all connections.
Noisy operation.	<ol style="list-style-type: none"> Blades are loose. Cracked blade. Full range dimmer switch. Fan is new. 	<ol style="list-style-type: none"> Tighten all blade screws. Replace blade. Replace with an approved speed control device. Allow fan a "break in" period of a few days, especially when running the fan at Medium and High speeds.
Excessive wobbling.	<ol style="list-style-type: none"> Blades are loose. Unbalanced blades. Fan not securely mounted. Fan too close to vaulted ceiling. Set screw(s) on motor housing yoke is (are) not tightened properly. Set screw on hanging ball is not tightened properly. 	<ol style="list-style-type: none"> Tighten all blade screws. Switch one blade with a blade from the opposite side. Turn power off. Carefully loosen canopy and verify that mounting bracket is secure. Use a longer downrod or move fan to another location. Tighten yoke set screw(s) securely. Carefully loosen and lower canopy and verify that set screw on hanging ball is tightened securely.



TROUBLESHOOTING

PROBLEM	POSSIBLE CAUSE	CORRECTIVE ACTION
Fan operates but light fails (if applicable).	<ol style="list-style-type: none">1. Bulb not installed correctly.2. Wires in canopy not wired properly.3. Wall switch to fan is off.4. Light kit is lamped with more than the allowable 190W, causing the wattage limiting device to interrupt the flow of electricity to the light kit.	<ol style="list-style-type: none">1. Re-install bulb.2. Check wires in canopy and, if necessary, re-wire according to instructions on pages 11 and 12.3. Make sure that wall switch to fan is on.4. Lamp light kit with bulb that totals no more than 190W.

NOTE: A small amount of "wobble" is normal and should not be considered a defect.

LIMITED LIFETIME WARRANTY

The distributor warrants this fan to be free from defects in workmanship and materials present at time of shipment from the factory for Lifetime limited from the date of purchase. This warranty applies only to the original purchaser. The distributor agrees to correct any defect at no charge or, at our option, replace the ceiling fan with a comparable or superior model.

To obtain warranty service, present a copy of your sales receipt as proof of purchase. All cost of removal and reinstallation are the express responsibility of the purchaser. Any damage to the ceiling fan by accident, misuse or improper installation, or by using parts not produced by the manufacturer of this fan or affixing accessories not produced by the manufacturer of this fan, are the purchaser's own responsibility. The distributor assumes no responsibility whatsoever for fan installation during the limited lifetime warranty. Any service performed by an unauthorized person will render the warranty invalid.

Due to varying climatic conditions, this warranty does not cover changes in brass finish, rusting, pitting, tarnishing, corroding or peeling. Brass finish fans maintain their beauty when protected from varying weather conditions. Any glass provided with this fan is not covered by the warranty.

Any replacement of defective parts for the ceiling fan must be reported within the first year from the date of purchase. For the balance of the warranty, call our customer service department (at **1-800-643-0067**) for return authorization and shipping instructions so that we may repair or replace the ceiling fan. Any fan or parts returned improperly packaged is/are the sole responsibility of the purchaser. There is no further express warranty. The distributor disclaims any and all implied warranties. The duration of any implied warranty which cannot be disclaimed is limited to the limited lifetime period as specified in our warranty. The distributor shall not be liable for incidental, consequential or special damages arising at or in connection with product use or performance except as may otherwise be accorded by law. This warranty gives you specific legal rights and you may also have other rights which vary from state to state. This warranty supersedes all prior warranties.



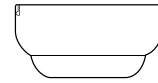
REPLACEMENT PARTS LIST

For replacement parts, call our customer service department at **1-800-643-0067**, 8 a.m. - 6 p.m., EST, Monday - Thursday, 8 a.m. - 5 p.m., EST, Friday.

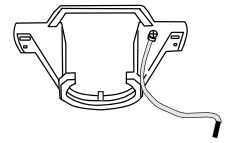
PART	DESCRIPTION	PARTS#
A	Downrod	276094-A
B	Canopy	276094-B
C	Mounting Bracket	276094-C
E	Yoke Cover	276094-E
F	Blade	276094-F
I	Motor Screw	276094-I
K	Lock Washer	276094-K
L	Canopy Mounting Screw	276094-L
M	Pin	276094-M
N	Clip	276094-N
O	Glass Shade	276094-O
P	Star Washer	276094-P
AA	Blade Screw	276094-AA
BB	Fiber Blade Washer	276094-BB



A



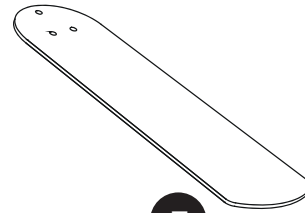
B



C



E



F



I



K



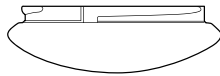
L



M



N



O



P



AA



BB

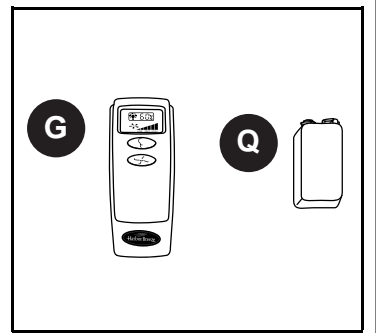
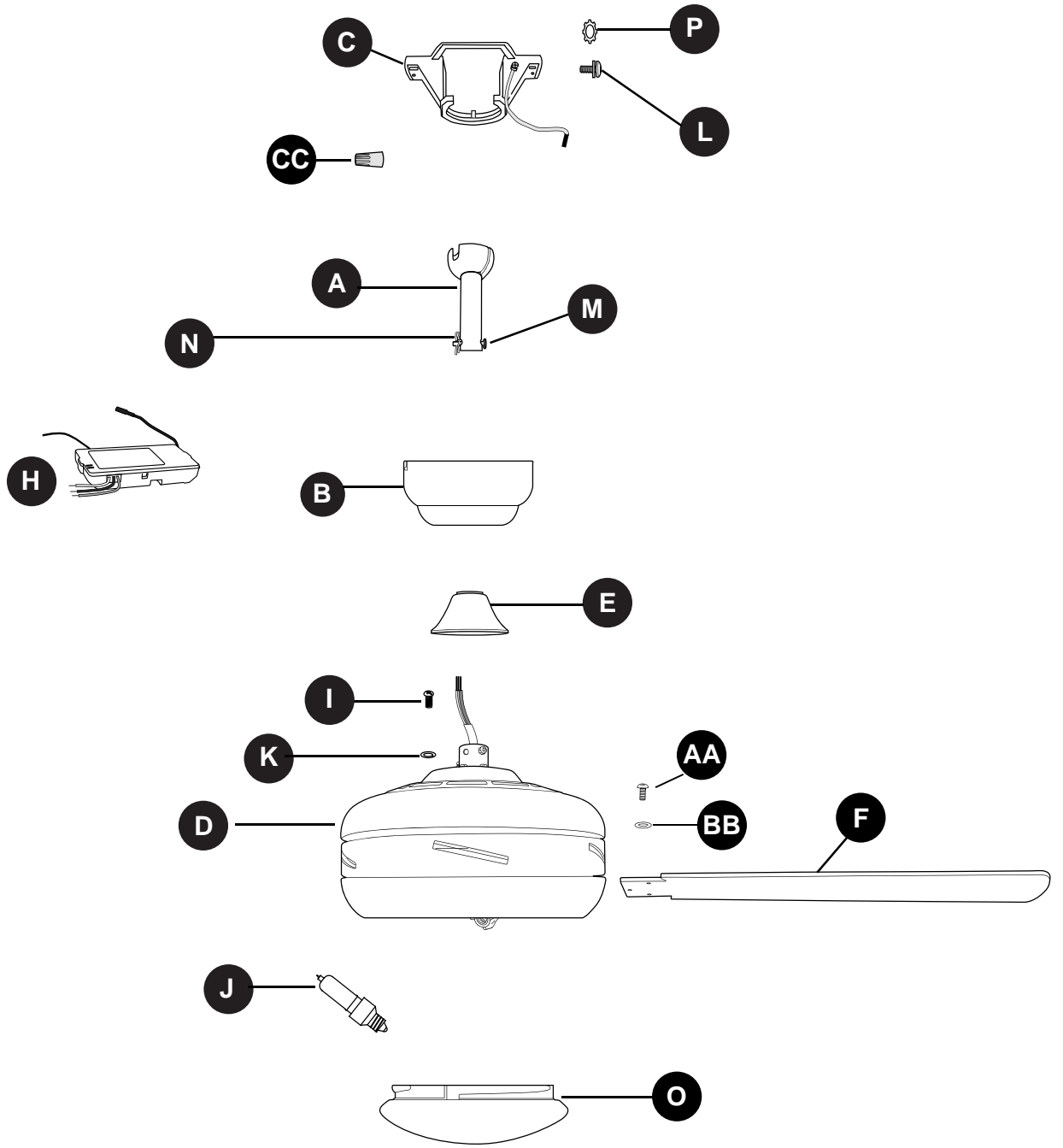
Printed in China

Harbor Breeze® is a registered trademark of LF, LLC. All Rights Reserved.



Lowes.com/harborbreeze

EXPLODED VIEW/VISTA DETALLADA



Quick Reference Guide

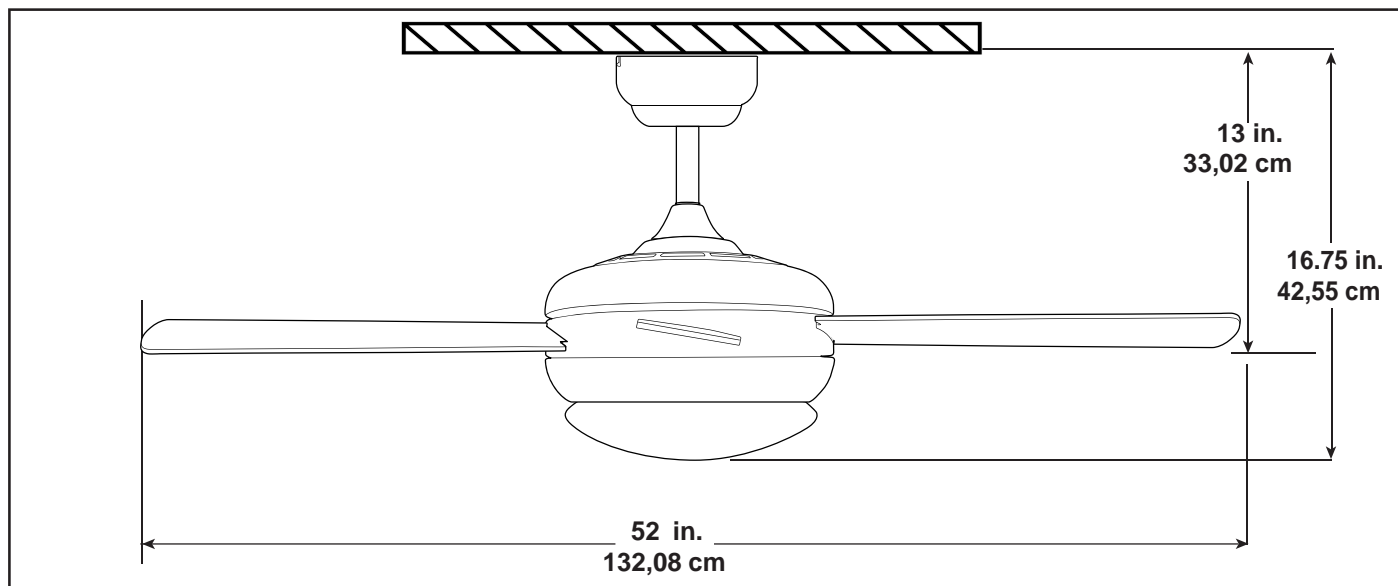
Guía de referencia rápida

Pullout Section
Sección desprendible

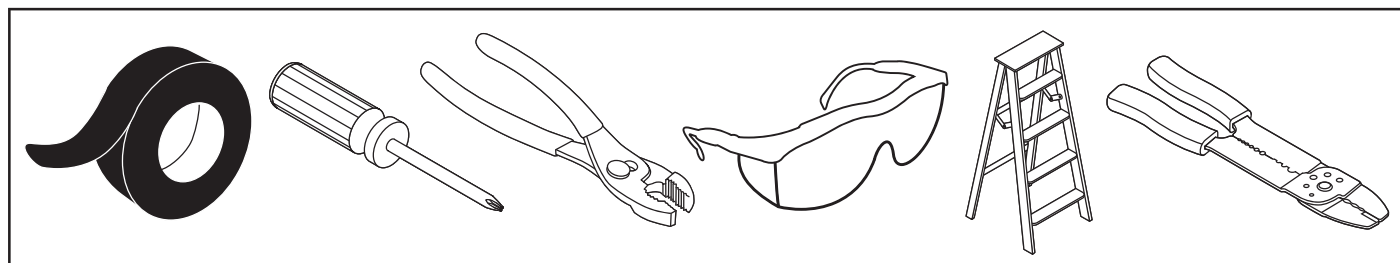
⚠ BEFORE BEGINNING INSTALLATION/ANTES DE COMENZAR LA INSTALACIÓN

This is a general overview of assembly process. Read the complete installation manual for detailed instructions and safety information./Este es un resumen general del proceso de ensamblaje. Lea el manual de instalación completo para obtener instrucciones detalladas e información de seguridad.

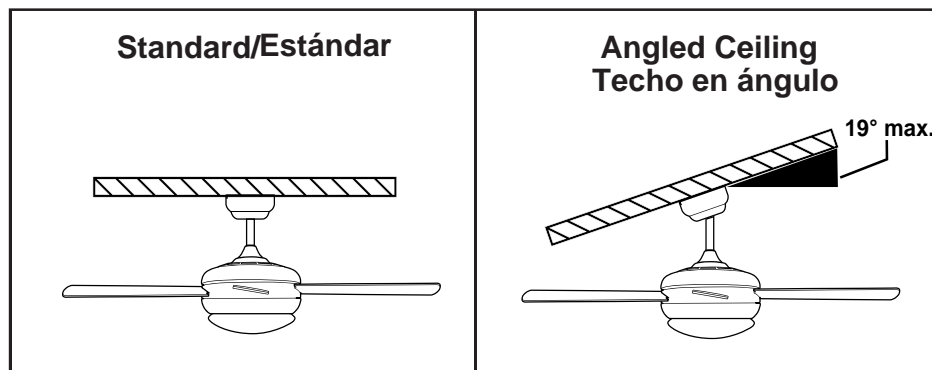
DIMENSIONS/DIMENSIONES



TOOLS REQUIRED/HERRAMIENTAS NECESARIAS



MOUNTING OPTIONS/OPCIONES DE MONTAJE



QUICK REFERENCE GUIDE/GUÍA DE REFERENCIA RÁPIDA

INSTALLATION OVERVIEW/DESCRIPCIÓN GENERAL DE LA INSTALACIÓN

STOP Turn Off Power Source
Apague la fuente de alimentación

or

1 Install Mounting Bracket
Instale el soporte de montaje

STANDARD MOUNT
MONTAJE ESTÁNDAR

ANGLE MOUNT
MONTAJE EN ÁNGULO

See Page
Consulte la
página

7
26

Open End
Extremo abierto

4 Feed Wires
Pase los cables

See Page
Consulte la
página

9
28

5 Install Downrod
Instale la varilla

Set Screws and Nuts
Tornillos de fijación y tuercas

Sideview
Vista lateral

See Page
Consulte la
página

9
28

8 Install Receiver
Instale el receptor

Antenna
Antena

See Page
Consulte la
página

12
31

9 Attach Canopy
Fije la base

See Page
Consulte la
página

13
32

INSTALLATION OVERVIEW/DESCRIPCIÓN GENERAL DE LA INSTALACIÓN

QUICK REFERENCE GUIDE/GUÍA DE REFERENCIA RÁPIDA

2 Remove Top of Motor Housing
Quite la parte superior de la carcasa del motor

See Page 7
 Consulte la página 26

3 Install Blades
Fije las aspas

See Page 8
 Consulte la página 27

6 Hang Fan on Bracket
Cuelgue el ventilador en el soporte

See Page 10
 Consulte la página 29

7 Connect Wiring
Conecte el cableado

See Page 11
 Consulte la página 30

⚠ Consult an electrician if wiring needs differ.
 Consulte con un electricista si las necesidades de cableado varían.

10 Install Bulb and Glass Shade
Instale la bombilla y pantalla de vidrio

See Page 13
 Consulte la página 32

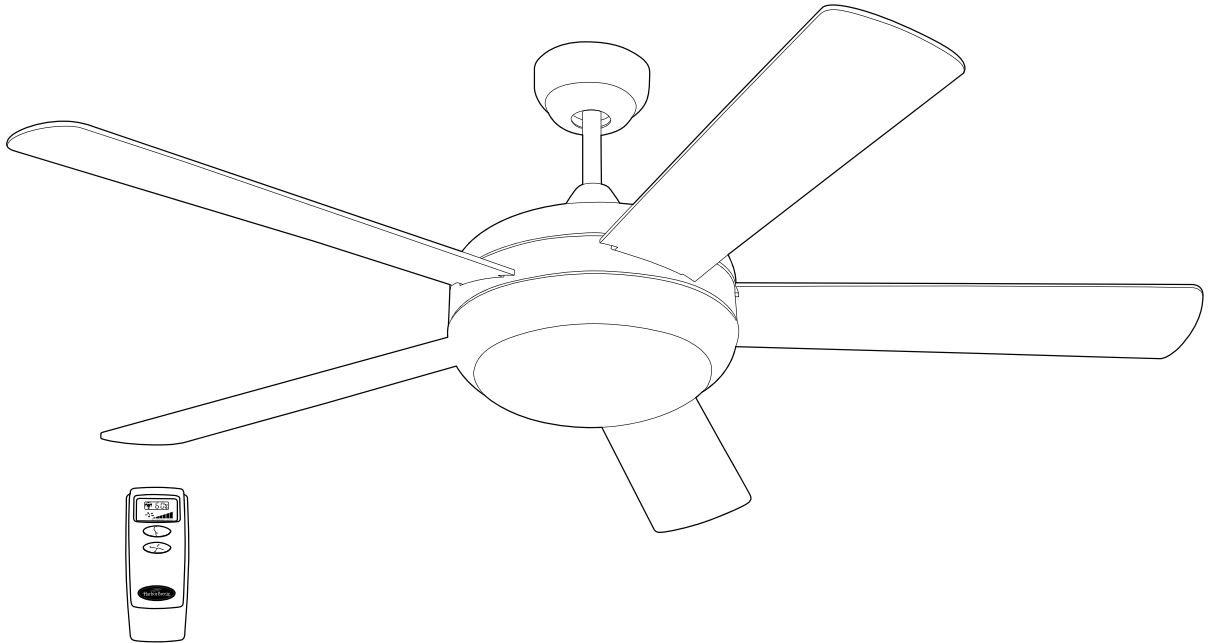
Turn On Power Source
Encienda la fuente de alimentación



VENTILADOR DE TECHO AERO

MODELO #E-AER52BRZ5LKRCI

Harbor Breeze® es una marca registrada de LF, LLC. Todos los derechos reservados.



Los reglamentos federales requieren que los ventiladores de techo con kit de iluminación fabricados o importados después del 1 de enero de 2009, tengan un límite de vataje total consumido por el kit de iluminación de 190 vatios. Por lo tanto, este ventilador está equipado con un dispositivo de control de vataje.



ADJUNTE SU RECIBO AQUÍ

Número de serie _____ Fecha de compra _____



¿Preguntas, problemas, piezas faltantes? Antes de volver a la tienda, llame a nuestro Departamento de Servicio al Cliente al **1-800-643-0067**, de lunes a jueves de 8 a.m. a 6 p.m., y los viernes de 8 a.m. a 5 p.m., hora estándar del Este.



ÍNDICE

Información de seguridad	21
Contenido del paquete	23
Aditamentos	24
Preparación	24
Instalación inicial	25
Montaje del ventilador	27
Cableado	30
Instalación final	32
Proceso de aprendizaje automatizado/código de activación	33
Instrucciones de funcionamiento	34
Cuidado y mantenimiento	36
Solución de problemas	36
Garantía limitada de por vida	37
Lista de piezas de repuesto.....	38



INFORMACIÓN DE SEGURIDAD

LEA Y GUARDE ESTAS INSTRUCCIONES

Lea y comprenda completamente este manual antes de intentar ensamblar, instalar o usar el producto.

- No deseche la caja del ventilador ni los accesorios de espuma. En caso de que deba devolverse este ventilador a la fábrica para realizarle reparaciones, debe ser enviado en su empaque original para asegurar una protección adecuada contra daños que puedan aumentar la causa inicial de la devolución.
- Asegúrese de que todas las conexiones eléctricas cumplan con los códigos y ordenanzas locales, el Código Eléctrico Nacional la norma ANSI/NFPA 70-1999. Si no está familiarizado con la instalación del cableado eléctrico, contrate a un electricista calificado o consulte un manual de cableado para hacerlo usted mismo.
- Asegúrese de que el sitio de instalación que elija permita establecer una distancia mínima de 2,13 m desde las aspas hasta el piso y que los extremos de las aspas estén, como mínimo, a 76,2 cm de cualquier obstáculo.
- Una vez instalado el ventilador, asegúrese de que todas las conexiones sean seguras a fin de evitar que se caiga.
- El peso neto de este ventilador incluido el kit de iluminación es: 9,77 kg.



! ADVERTENCIA



Para reducir el riesgo de incendio, descargas eléctricas o lesiones personales, monte el ventilador en una caja de salida marcada como "ACCEPTABLE FOR FAN SUPPORT OF 35 LBS (15,9 KG) OR LESS" (APTA PARA SOSTENER VENTILADORES DE 15,88 KG (35 LBS) O MENOS) y utilice los tornillos de montaje que se proporcionan con la caja de salida. La mayoría de las cajas de salida que se usan comúnmente para sostener ensambles de iluminación no son aptas para sostener un ventilador y puede ser necesario reemplazarlas. Si tiene dudas, consulte a un electricista calificado.

Cuando monte el ventilador en una caja de salida del techo, use una caja de salida octogonal de METAL. Asegure la caja de salida directamente a la estructura del edificio. La caja de salida y su soporte deben ser capaces de sostener el peso del ventilador en movimiento (al menos 15,88 kg). NO use una caja de salida de plástico.

Para evitar lesiones personales, puede ser necesario usar guantes al manipular las piezas del ventilador con bordes filosos.

Para reducir el riesgo de incendios, descargas eléctricas o lesiones personales, los conectores de cables proporcionados con este ventilador están diseñados para soportar solo un cable de la casa de calibre 12 y dos cables conductores del ventilador. Si el conductor de la casa es de un calibre superior a 12 o hay más de un conductor de la casa para conectar a los cables conductores del ventilador correspondientes, consulte a un electricista cuál es el tamaño adecuado de los conectores de cables que debe utilizar.

Para reducir el riesgo de incendios o descargas eléctricas, no use el ventilador con dispositivos de control de velocidad para ventiladores de estado sólido ni controle la velocidad del ventilador con un regulador de intensidad de rango completo.

Para reducir el riesgo de incendio, descarga eléctrica o lesiones personales, no doble los brazos de las aspas al instalarlos, al equilibrar las aspas o al limpiar el ventilador. No introduzca objetos entre las aspas en movimiento.

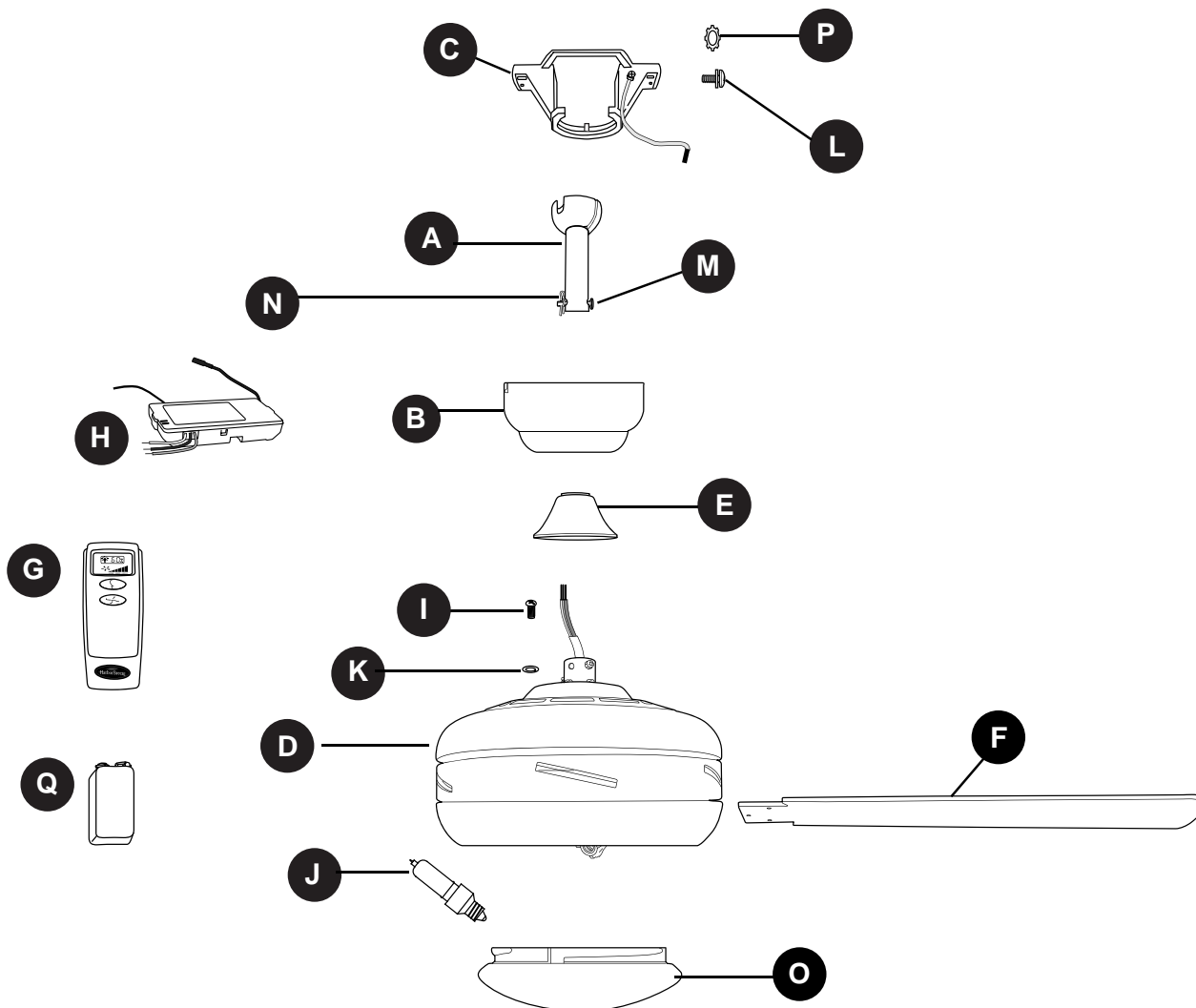
Para reducir el riesgo de lesiones personales, use solo las piezas que se proporcionan con este ventilador. El uso de piezas *DISTINTAS* a aquellas que se proporcionan con este ventilador anulará la garantía.

PRECAUCIÓN

Antes de proceder, asegúrese de cortar la alimentación eléctrica de la caja principal de fusibles o interruptor de circuito a fin de evitar descargas eléctricas.

Lea todas las instrucciones y la información de seguridad antes de instalar el nuevo ventilador. Revise los diagramas de ensamblaje adjuntos.

CONTENIDO DEL PAQUETE



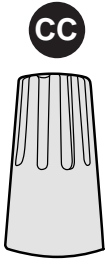


PIEZA	DESCRIPCIÓN	CANTIDAD
A	Varilla	1
B	Base	1
C	Abrazadera de montaje	1
D	Carcasa del motor	1
E	Cubierta de la horquilla	1
F	Aspa	5
G	Transmisor para control remoto	1
H	Receptor del control remoto	1
I	Tornillo del motor (preensamblado)	6
J	Bombilla	1
K	Arandela de seguridad (preensamblada)	6

PIEZA	DESCRIPCIÓN	CANTIDAD
L	Tornillo de montaje de la base (preensamblado)	4
M	Pasador (preensamblado)	1
N	Sujetador (preensamblado)	1
O	Pantalla de vidrio	1
P	Arandela de estrella (preensamblado)	4
Q	Batería	1

⚠ RECORDATORIO IMPORTANTE: Debe utilizar las piezas que se incluyen con este ventilador para la instalación adecuada y por seguridad.

ADITAMENTOS (se muestran en tamaño real)

		
Tornillo para aspa	Arandela para aspa de fibra	Conector de cables E3
Cant. 15 + 1 adicional	Cant. 15 + 1 adicional	Cant. 6 + 4 adicional

PREPARACIÓN

Antes de comenzar a ensamblar el producto, asegúrese de tener todas las piezas. Compare las piezas con la lista del contenido del paquete y la lista de aditamentos. No intente ensamblar el producto si falta alguna pieza o si estas están dañadas.

Tiempo estimado de ensamblaje: 120 minutos

Herramientas necesarias para el ensamblaje (no se incluyen): Cinta aislante, destornillador Phillips, pinzas, gafas de seguridad, escalera de tijera y pinzas pelacables

Herramientas útiles (no se incluyen): Luz de prueba CA, cinta métrica, manual de cableado Hágalo usted mismo y pinzas cortacables

⚠ PELIGRO: Si utiliza una caja de salida existente, asegúrese de que esté bien sujeta a la estructura del edificio y que pueda sostener el peso del ventilador. El incumplimiento de dicho paso podría provocar lesiones graves o la muerte. La estabilidad de la caja de salida es fundamental para minimizar el tambaleo y el ruido en el ventilador una vez que la instalación esté completa.

⚠ PRECAUCIÓN: Asegúrese de que la caja de salida tenga la debida puesta a tierra y de que haya un conductor (verde o desnudo) de puesta a tierra.

Después de abrir la parte superior de la caja, retire el paquete de aditamentos de montaje de los accesorios de espuma. Retire el motor del empaque y ubíquelo sobre una alfombra o espuma para evitar dañar el acabado.

⚠ PRECAUCIÓN: Revise cuidadosamente todos los tornillos, tuercas y pernos del ensamble del motor del ventilador para comprobar que estén seguros.

INSTALACIÓN INICIAL

1. Interrumpa el suministro de energía del ventilador apagando los interruptores de circuito y el interruptor de pared.

⚠ PELIGRO: Si no interrumpe el suministro de electricidad antes de la instalación, pueden producirse lesiones graves o la muerte.

2. Determine el método de instalación que utilizará.

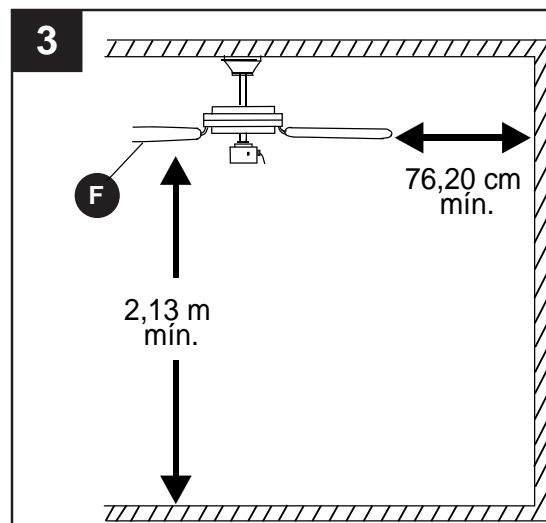
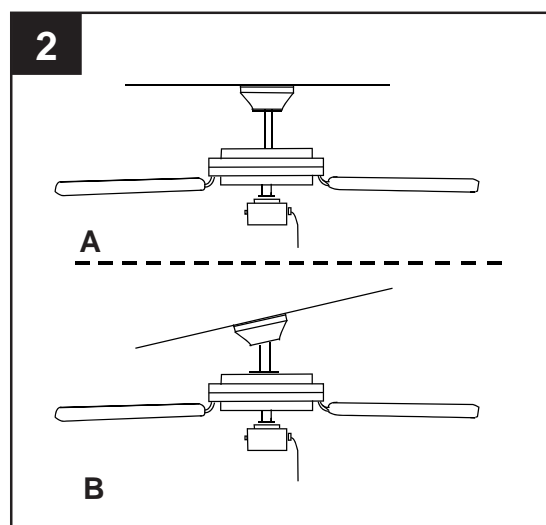
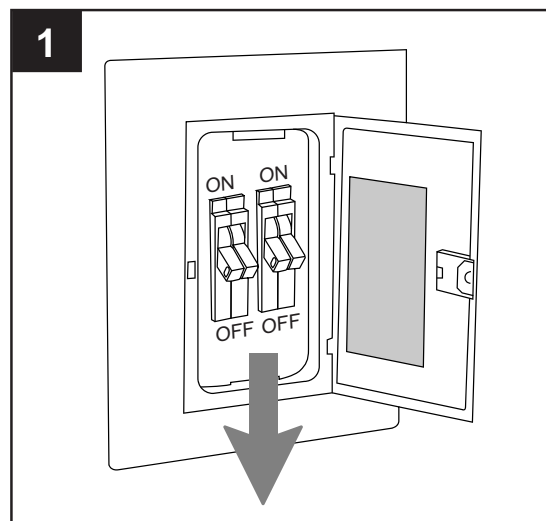
A. Montaje estándar

B. Montaje en ángulo

IMPORTANTE: Si realiza el montaje en ángulo, verifique que el ángulo del techo no tenga una inclinación superior a los 19°.

***Consejo útil:** El montaje estándar es mejor para los techos de 2,44 m de alto o más altos. Para techos más altos, se recomienda utilizar una varilla más larga (no incluida). El montaje en ángulo es mejor para los techos en ángulo o de bóveda. En ocasiones, es necesaria una varilla más larga para asegurar una adecuada separación de las aspas.

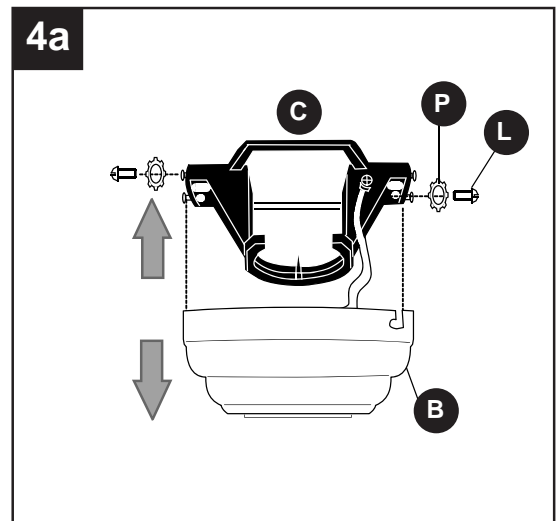
3. Compruebe que las aspas (F) estén al menos a 76,2 cm de cualquier obstáculo y al menos a 2,13 m sobre el piso.



INSTALACIÓN INICIAL

- 4a. Afloje los tornillos de montaje (L) de la base en los orificios ranurados de la base (B) y retire los otros dos tornillos de montaje (L) de la base y las arandelas de estrella (P); *conservar los tornillos de montaje (L) de la base y las arandelas de montaje (P) para usarlos posteriormente.*

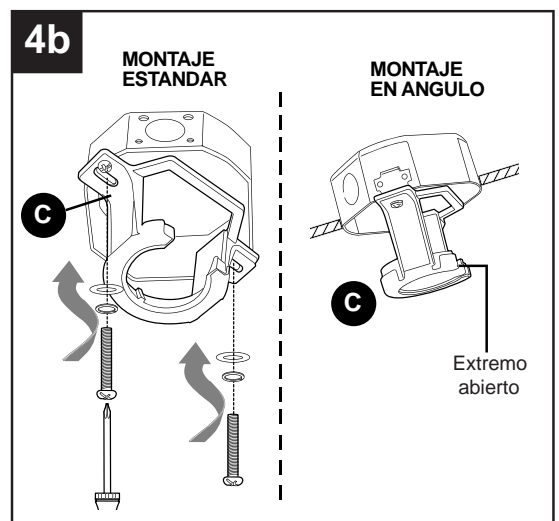
Retire el soporte de montaje (C) de la base (B).



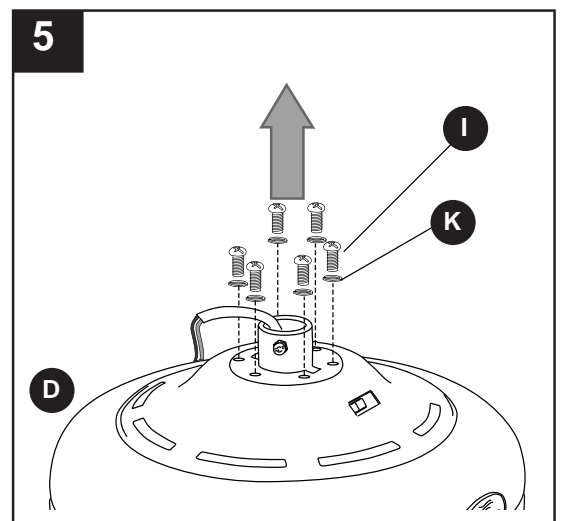
- 4b. Asegure el soporte de montaje (C) a la caja de salida (no se incluye) con los tornillos, las arandelas de resorte y las arandelas planas provistas con la caja de salida.

***NOTA:** Es muy importante que use los aditamentos adecuados para instalar el soporte de montaje (C), ya que este soportará el ventilador.

IMPORTANTE: Si realiza el montaje en ángulo, asegúrese de que el extremo abierto del soporte de montaje (C) esté instalado en dirección hacia el punto más alto del techo.

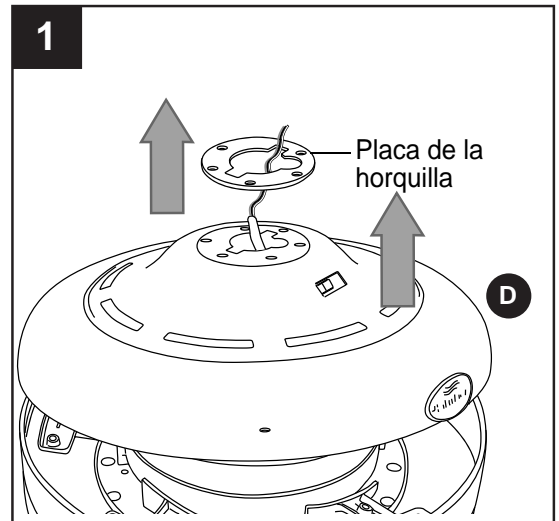


5. Retire los tornillos del motor (I) y las arandelas de seguridad (K) de la parte superior de la carcasa del motor (D); *guarde los tornillos del motor (I) y las arandelas de seguridad (K) para su uso posterior.*



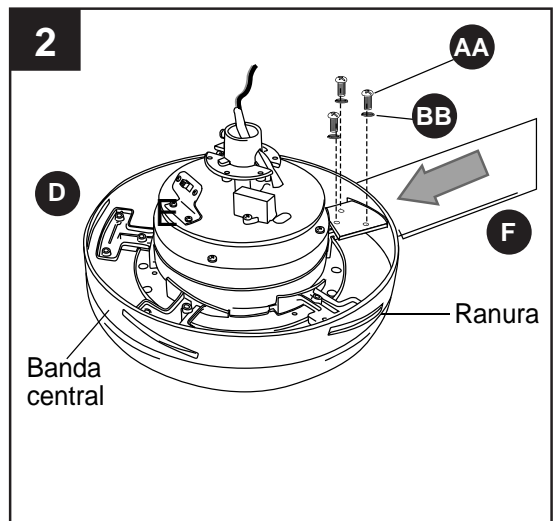
MONTAJE DEL VENTILADOR

1. Levante la placa de la horquilla preensamblada y la parte superior de la carcasa del motor (D) del motor y déjelas a un lado.


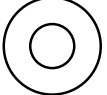


2. Inserte el aspa (F) en la ranura de la banda de la carcasa del motor (D). Alinee los orificios del aspa (F) con los orificios en el interior del motor. Inserte parcialmente tres tornillos para las aspas (AA) junto con tres arandelas de fibra para las aspas (BB) para fijar el aspa (F) al motor. Luego, apriete cada uno de los tornillos para las aspas (AA), comenzando por el que está en el centro. Repita el procedimiento para el resto de las aspas (F).

Ahorra tiempo: Las arandelas de las aspas de fibra (BB) se pueden fijar en cada tornillo para aspa (AA) antes de instalar las aspas (F).

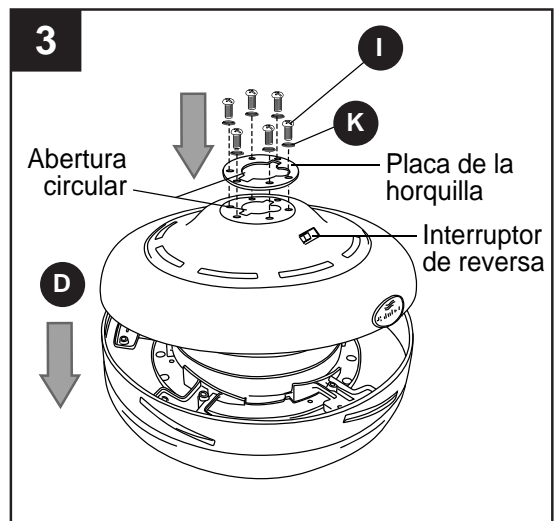


Aditamentos utilizados

AA	Tornillo para aspa		x 15
BB	Arandela para aspa de fibra		x 15

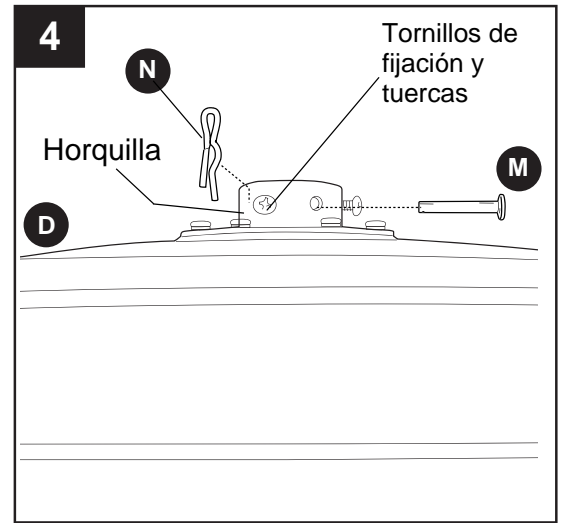
3. Reemplace la parte superior de la carcasa del motor (D) y la placa de la horquilla y fíjelas con los tornillos del motor (I) y las arandelas de seguridad (K) que retiró previamente (paso 5, página 26).

IMPORTANTE: La abertura circular de la carcasa del motor (D) y la placa de la horquilla se deben alinear sobre el cableado eléctrico y la abertura para el interruptor de reversa se debe alinear con el interruptor de reversa.

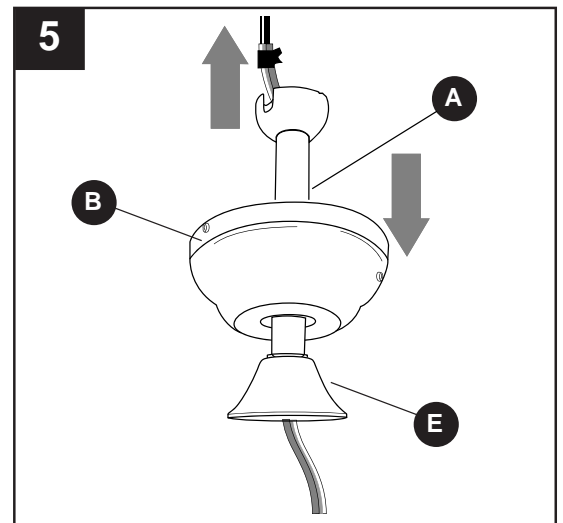


MONTAJE DEL VENTILADOR

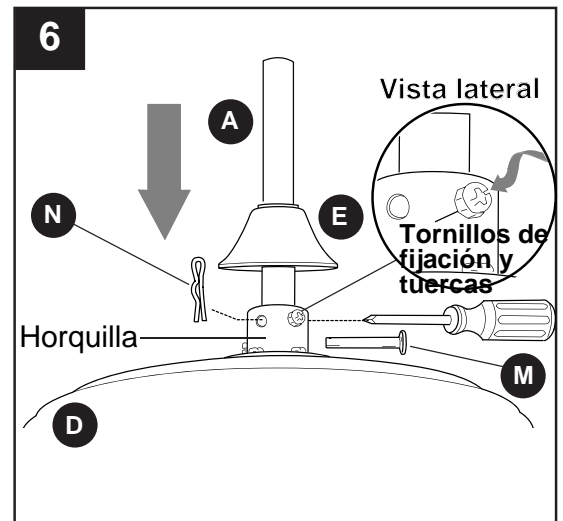
4. Retire el pasador (M) y el sujetador (N) de la horquilla en la parte superior del bastidor del motor (D) y afloje parcialmente los tornillos de fijación y las tuercas preensambladas.



5. Introduzca la varilla (A) a través de la base (B) y la cubierta de la horquilla (E). Pase los conductores desde la carcasa del motor (D) a través de la varilla (A).



6. Deslice la varilla (A) en la horquilla y alinee los orificios y vuelva a instalar el pasador (M) y el sujetador (N). Apriete los tornillos de fijación en la horquilla y apriete las tuercas preensambladas en los tornillos de fijación.



MONTAJE DEL VENTILADOR

7. Según el largo de la varilla que utilice, es posible que necesite cortar los cables conductores para simplificar el cableado. Si decide cortar los cables conductores, se sugiere hacerlo de la siguiente manera:

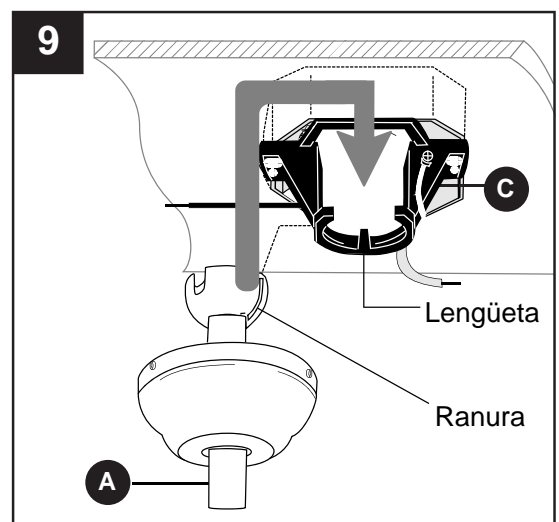
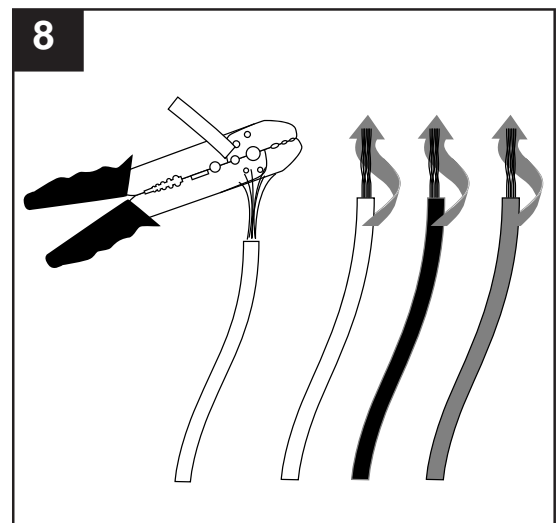
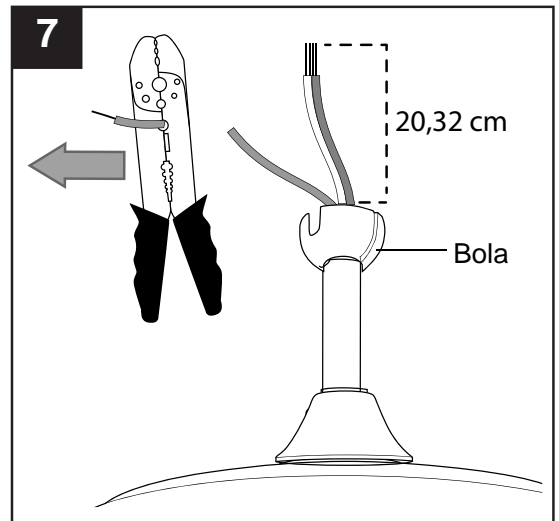
Sujete los cables conductores y asegúrese de jalarlos completamente a través de la parte superior de la varilla. Comience en la parte SUPERIOR de la bola en la varilla y mida 20,32 cm de cable conductor y corte el exceso de cable con las pinzas cortacables (no se incluyen).

NOTA: Si no cortó los cables conductores, los **Pasos 7 y 8 no son necesarios y puede proceder con el Paso 9 en su lugar.**

8. Si decidió cortar los cables conductores en el Paso 7, pele 12,70 mm del aislamiento en el extremo del conductor blanco. Tuerza los extremos pelados de cada filamento de conductor dentro del aislamiento con pinzas (no se incluyen). Repita el Paso 8 para los conductores negro, azul (si corresponde) y verde.

9. Instale el extremo con la bola de la varilla (A) en la abertura del soporte de montaje (C). Alinee la ranura de la bola con la lengüeta en el soporte de montaje (C).

⚠ PELIGRO: Si no alinea la ranura de la bola con la lengüeta, pueden producirse lesiones graves o la muerte.



CABLEADO

⚠️ ADVERTENCIA: Para reducir el riesgo de incendios, descargas eléctricas o lesiones personales, los conectores de cables proporcionados con este ventilador están diseñados para soportar solo un cable de la casa de calibre 12 y dos cables conductores del ventilador. Si el conductor de la casa es de un calibre superior a 12 o hay más de un conductor de la casa para conectar a los cables conductores del ventilador correspondientes, consulte a un electricista cuál es el tamaño adecuado de los conectores de cables que debe utilizar.

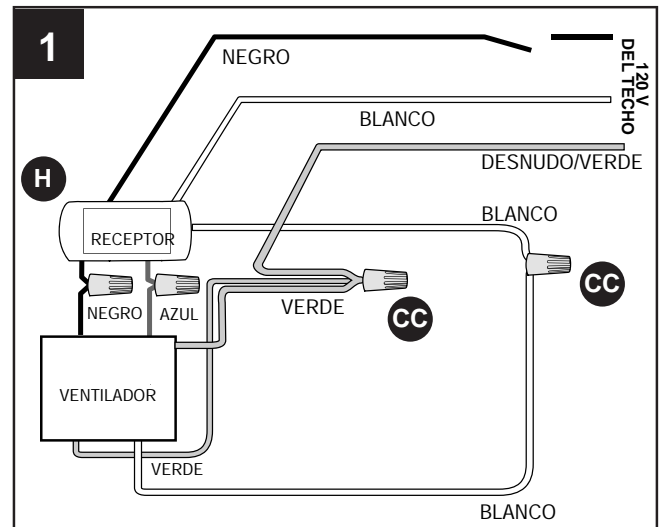
⚠️ PRECAUCIÓN: Asegúrese de que la caja de salida tenga la debida puesta a tierra y de que haya un conductor (verde o desnudo) de puesta a tierra.

⚠️ ADVERTENCIA: Si los cables de la casa no tienen los mismos colores que se mencionan en los siguientes pasos, deténgase de inmediato. Se recomienda que un electricista profesional determine el cableado adecuado.

NOTA: El conductor negro y el azul son los que proporcionan alimentación al ventilador. El conductor blanco es el conductor común para el ventilador. El conductor verde o desnudo es la puesta a tierra.

1. Haga las conexiones de cableado necesarias para el funcionamiento del control remoto de acuerdo con el dibujo que se muestra a la derecha. Para cada conexión de cables, utilice uno de los conectores de cable (CC), asegurándose de atornillar el conector de cable (CC) en dirección de las manecillas del reloj. [Asegúrese de conectar todos los cables A TIERRA (VERDES) del ventilador juntos (en la varilla (A) y el soporte de montaje (C)) al cable DESNUDO/VERDE del techo].

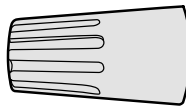
NOTA: Para este paso, se recomienda solicitar ayuda a otra persona.



Aditamentos utilizados



Conector de cables E3



x 4

CABLEADO

- Cubra con cinta aislante (no se incluye) cada conector de cables (CC) individual hacia abajo del cable.

⚠ ADVERTENCIA: Asegúrese de que no haya conductores desnudos ni filamentos de conductores visibles después de hacer la conexión. Coloque las conexiones verdes y blancas en el lado opuesto de las conexiones negras y azules de la caja (si corresponde).

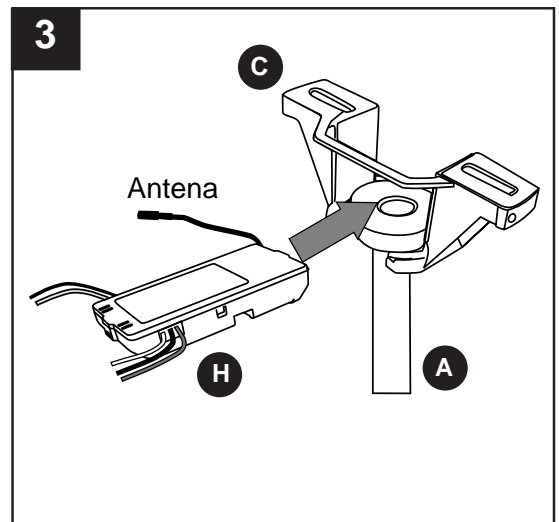
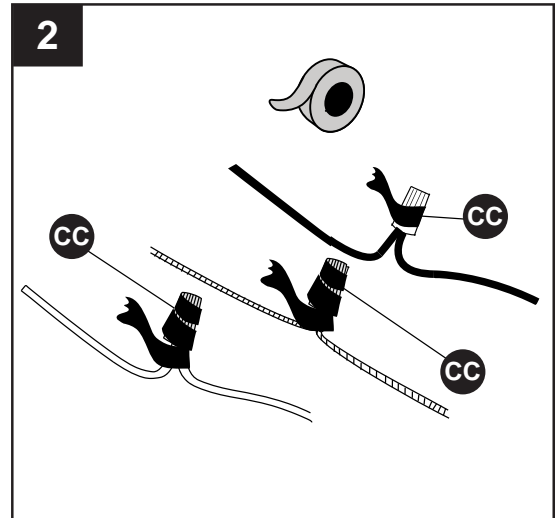
- Deslice cuidadosamente el receptor del control remoto (H), con el lado plano hacia arriba, en el soporte de montaje (C). Gire los conductores empalmados o cubiertos con cinta hacia arriba y empuje suavemente los conductores y los conectores de cables (AA) hacia dentro de la caja de salida. Deje que la antena del receptor del control remoto (H) cuelgue por el costado.

NOTA: El control remoto que se incluye con este ventilador cumple los siguientes requisitos:

- No apto para uso con ventiladores de estado sólido.
- Clasificación eléctrica: 120 V/60 Hz;
amperaje del motor:
1,25 MÁX.;
vatios de las luces:
300 (solo
incandescentes)

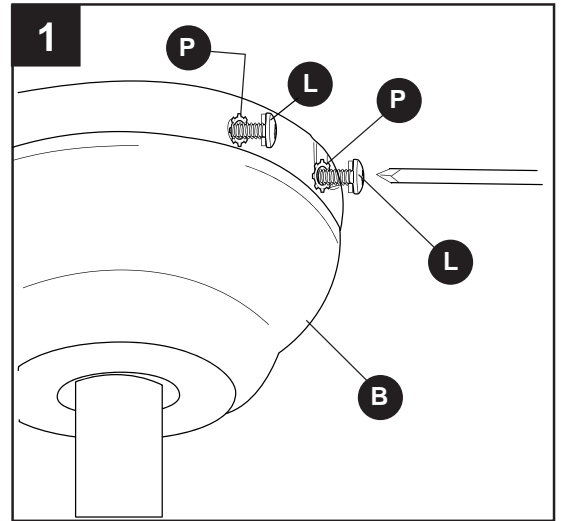
Si utilizara otro control remoto con este ventilador, también debe cumplir estos mismos requisitos.

- IMPORTANTE:** El uso de un regulador de intensidad de rango completo (no se incluye) para controlar la velocidad del ventilador provocará un zumbido intenso del ventilador. Para reducir el riesgo de incendios o descargas eléctricas, **NO** use un regulador de intensidad de rango completo para controlar la velocidad del ventilador.



INSTALACIÓN FINAL

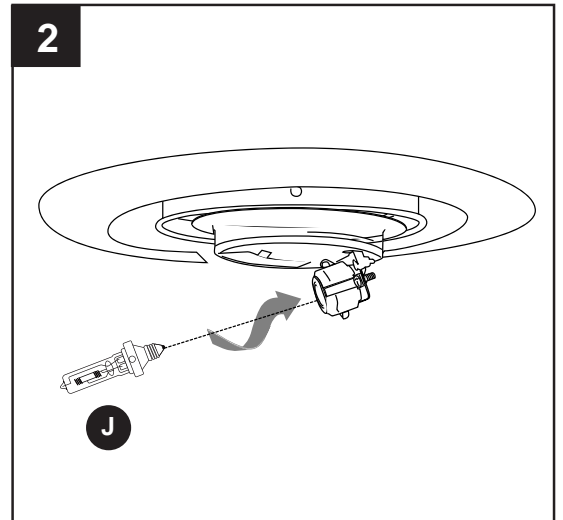
1. Levante la base (B) hacia el soporte de montaje (C) y alinee los orificios ranurados en la base (B) con los tornillos de montaje de la base (L) aflojados del soporte de montaje (C). Gire la base (B) para asegurarla, luego inserte los dos tornillos de montaje (L) de la base y las arandelas de estrella (P) que retiró anteriormente (paso 4a, página 26). Apriete firmemente todos los tornillos de montaje (L) de la base.



2. Instale la bombilla (J).

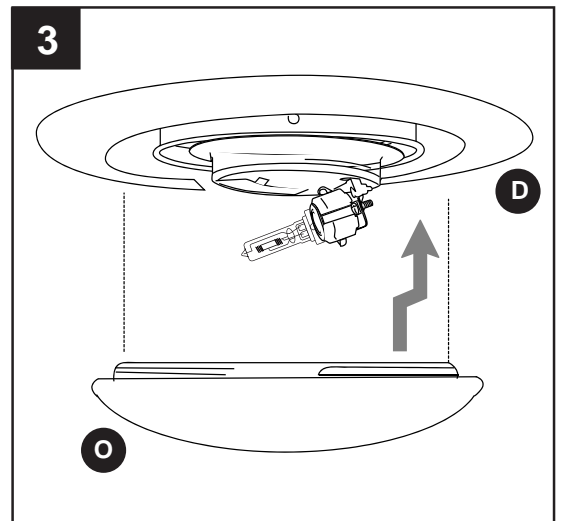
Sugerencia: No toque el vidrio de la bombilla (J) con los dedos o las manos. Los aceites de la piel pueden causar el sobrecalentamiento y el desgaste prematuro de la bombilla (J). Use una caja de cartón o el envoltorio de espuma de la bombilla (J) para cubrir el vidrio de la bombilla (J).

IMPORTANTE: Al reemplazar la bombilla, deje que esta y la pantalla de vidrio se enfríen antes de tocarlas. Recuerde no tocar la bombilla como se describe anteriormente.



3. Alinee las aberturas en las ranuras de la pantalla de vidrio (O) con los módulos en el lado inferior de la carcasa del motor (D). Gire la pantalla de vidrio (O) en dirección de las manecillas del reloj hasta que no gire más.

Jale levemente la pantalla de vidrio (O) para asegurarse de que esté bien fijada.

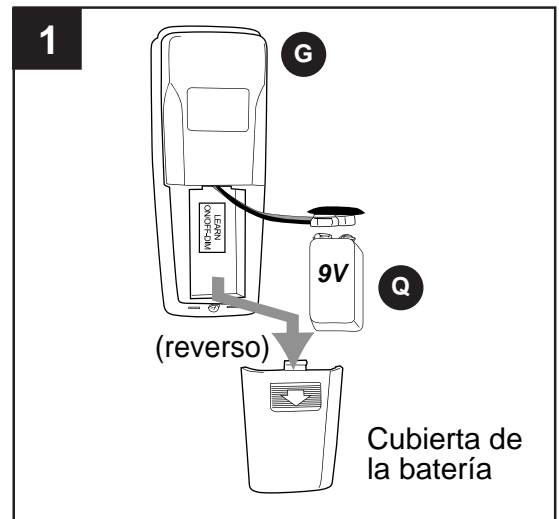


PROCESO DE APRENDIZAJE AUTOMATIZADO/CÓDIGO DE ACTIVACIÓN

⚠ PRECAUCIÓN: El transmisor del control remoto (G) se puede programar para varios receptores o ventiladores. Si usted **no** desea hacer esto, desactive el interruptor de pared para cualquier otro receptor o ventilador programable.

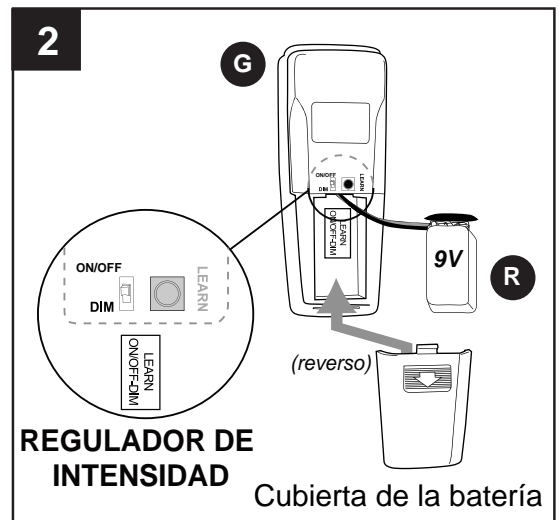
1. Retire la cubierta de la batería de la parte posterior del transmisor del control remoto (G).

Ubique la batería (Q) en el paquete de aditamentos y luego retire la envoltura de plástico de la batería (Q). Instale la batería (Q) pero deje la batería (Q) **fuera** del compartimiento de la batería hasta que complete el proceso de aprendizaje.



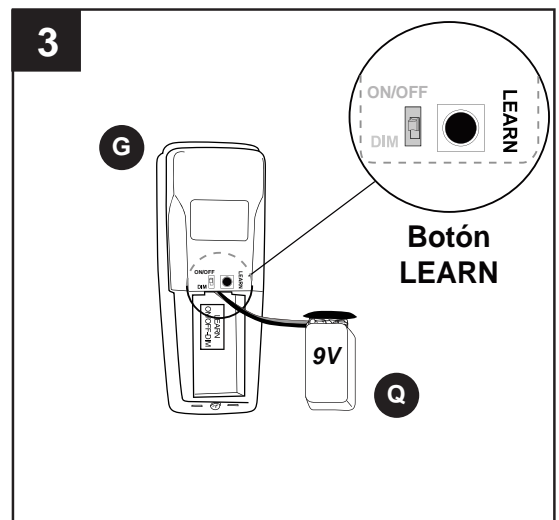
2. Ubique el regulador de intensidad en la parte superior derecha del compartimiento de la batería. El regulador de intensidad se ha preestablecido en "ON" (REGULAR). [Nota: Si prefiere **no** usar la función de regulador, puede establecer el regulador de intensidad en la posición "OFF" (ON/OFF)].

Coloque la batería (Q) en el compartimiento de la batería y reemplace la cubierta de la batería en el reverso del transmisor del control remoto (G).



3. Restablezca la alimentación eléctrica. Dentro de 30 segundos de restablecer la alimentación eléctrica, presione el botón "LEARN" (Aprender), ubicado en la parte superior derecha del compartimiento de la batería durante 3 segundos o hasta que el ventilador cambie a velocidad media (MEDIUM). Use el transmisor de control remoto (G) para probar las funciones de la luz y el ventilador (consulte las Instrucciones de funcionamiento del control remoto y el ventilador de la página 34) para confirmar que el proceso de aprendizaje esté completo.

IMPORTANTE: Para evitar el daño al transmisor del control remoto (G), retire la batería de 12 voltios (Q) si no la utilizará por un período prolongado. Almacene el transmisor del control remoto (G) alejado del exceso de calor.



PROCESO DE APRENDIZAJE AUTOMATIZADO/CÓDIGO DE ACTIVACIÓN

Las modificaciones que no estén aprobadas por la parte responsable del cumplimiento podrían anular la autorización del usuario para utilizar el equipo.


***NOTA:** Este equipo ha sido probado y se ha verificado que cumple los límites para un dispositivo digital clase B, conforme a la sección 15 de las reglas de la FCC. Estos límites se han diseñado para proporcionar una protección razonable contra la interferencia perjudicial en una instalación residencial. Este equipo genera, utiliza y puede irradiar energía de radiofrecuencia y, si no se instala y usa de acuerdo con las instrucciones, puede causar interferencia perjudicial a las comunicaciones de radio. Sin embargo, no se garantiza que no se producirán interferencias en una instalación en especial. Si este equipo genera una interferencia perjudicial para la recepción de radio o televisión, que se puede determinar apagando y encendiendo el equipo, se recomienda Al usuario que intente corregir la interferencia con una o más de las siguientes medidas:



- * Reoriente o reubique la antena de recepción.
- * Aumente la separación entre el equipo y el receptor.
- * Conecte el equipo a un tomacorriente de un circuito distinto al que usa el receptor.

Solicite ayuda al concesionario o a un técnico con experiencia en radio/TV.


INSTRUCCIONES DE FUNCIONAMIENTO

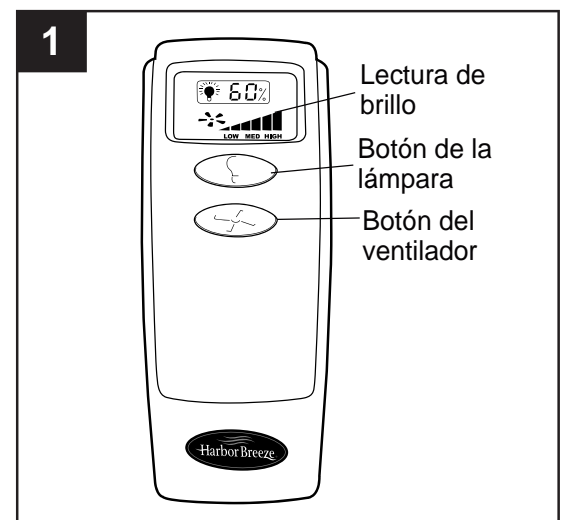
1. Botones de operación del panel del transmisor del control remoto (G):

VENTILADOR  Para la VELOCIDAD del ventilador y para APAGAR el ventilador

Presionar el botón  cambia la velocidad del ventilador de ALTA a MEDIA a BAJA y luego a APAGADO. La pantalla de cristal líquido muestra cada función al presionar el botón .

LUZ  Para el BRILLO de la luz y para APAGAR la luz

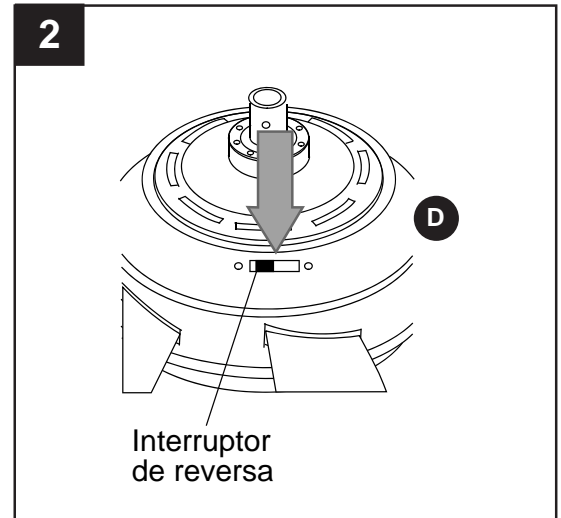
Presione el botón  hacia abajo para aumentar o disminuir la intensidad de las luces; el brillo se muestra en la pantalla como un porcentaje. Presione rápidamente el botón para encender o apagar la luz. Si presiona el botón y lo mantiene presionado por más de 0,7 segundos, se convierte en un regulador. (Consulte el paso 2 de la página 33 con respecto al regulador de intensidad). La luz varía en forma cíclica en 0,8 segundos. El botón de la luz tiene una función de reanudación automática, que mantiene la luz con el mismo brillo que tenía la última vez que se apagó.



INSTRUCCIONES DE FUNCIONAMIENTO

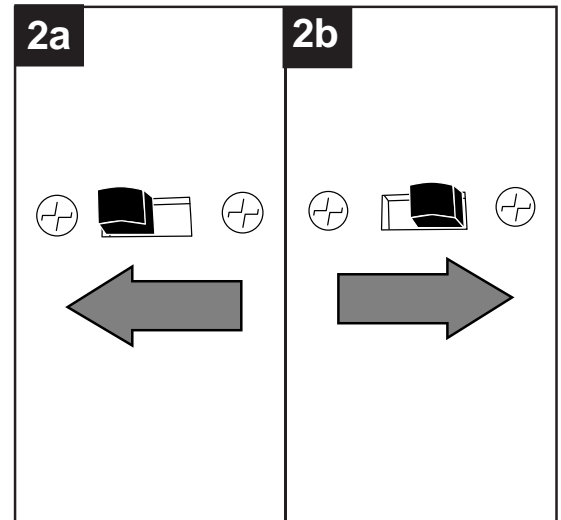
2. Utilice el interruptor de reversa del ventilador, ubicado en la parte superior de la carcasa del motor (D), para optimizar el rendimiento del ventilador según la estación del año. Un ventilador de techo le permitirá elevar la configuración de su termostato en verano y disminuirla en invierno, sin sentir una diferencia en su comodidad.

NOTA: Espere a que el ventilador se detenga antes de mover el interruptor de reversa.

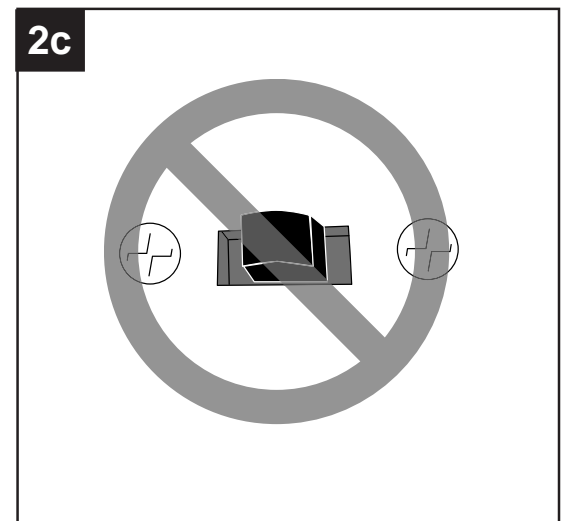


2a. En climas más **cálidos**, la configuración del interruptor de reversa en la posición **IZQUIERDA** creará un flujo de aire descendente que generará un efecto de viento refrescante.

2b. En climas más **fríos**, la configuración del interruptor de reversa en la posición **DERECHA** creará un flujo de aire ascendente que puede ayudar a mover el aire caliente estancado fuera del área del techo.



2c. **IMPORTANTE:** El interruptor de reversa se debe configurar ya sea **completamente hacia la IZQUIERDA** o **completamente hacia la DERECHA** para que el ventilador funcione. Si el interruptor de reversa se configura en la posición del *medio*, el ventilador no funcionará.



CUIDADO Y MANTENIMIENTO

Al menos dos veces al año, baje la base (B) para revisar en ensamble de la varilla (A) y luego apriete todos los tornillos en el ventilador. Limpie la carcasa del motor (D) solo con un cepillo suave o un paño que no produzca pelusas para evitar rayar el acabado. Limpie las aspas (F) con un paño que no produzca pelusas. De vez en cuando puede aplicar una fina capa de cera para muebles en las aspas de madera para darles más protección.

IMPORTANTE: Antes de realizar cualquier trabajo de mantenimiento, desconecte el suministro de electricidad. No utilice agua ni un paño húmedo para limpiar el ventilador de techo.

Reemplazo de la bombilla: Utilice una bombilla halógena tipo JD E11 de 100 vatios como máximo.

Reemplazo de la batería (control remoto): Utilice una batería alcalina de 9 voltios.

SOLUCIÓN DE PROBLEMAS

⚠ ADVERTENCIA: Antes de comenzar cualquier trabajo, desconecte el suministro de electricidad para evitar descargas eléctricas.

PROBLEMA	CAUSA POSIBLE	ACCIÓN CORRECTIVA
El ventilador no se mueve.	<ol style="list-style-type: none"> 1. El interruptor de reversa no está activado. 2. No hay alimentación eléctrica o hay un fusible quemado. 3. La conexión de los cables es incorrecta. 	<ol style="list-style-type: none"> 1. Mueva firmemente el interruptor hacia la izquierda o hacia la derecha. 2. Conecte la alimentación eléctrica o revise el fusible. 3. Desconecte la alimentación. Afloje la base y revise todas las conexiones.
El funcionamiento es ruidoso.	<ol style="list-style-type: none"> 1. Las aspas están sueltas. 2. Hay un aspa partida. 3. Se está utilizando un regulador de intensidad de rango completo. 4. El ventilador es nuevo. 	<ol style="list-style-type: none"> 1. Apriete todos los tornillos de las aspas. 2. Reemplace la hoja. 3. Reemplace por un dispositivo de control de velocidad autorizado. 4. Permita que el ventilador tenga un período de asentamiento de un par de días, especialmente al encender el ventilador a velocidades media y alta.
Hay un tambaleo excesivo.	<ol style="list-style-type: none"> 1. Las aspas están sueltas. 2. Las aspas no están equilibradas. 3. El ventilador no está bien montado. 4. El ventilador está demasiado cerca del techo de bóveda. 5. El(los) tornillo(s) de fijación en la horquilla de la carcasa del motor no está(n) bien apretado(s). 6. El tornillo de fijación en la bola para colgar no está bien apretado. 	<ol style="list-style-type: none"> 1. Apriete todos los tornillos de las aspas. 2. Intercambie un aspa con otra del lado opuesto. 3. Desconecte la alimentación. Afloje cuidadosamente la base y verifique que el soporte de montaje esté sujeto con firmeza. 4. Utilice una varilla más larga o mueva el ventilador a otra ubicación. 5. Apriete firmemente el(los) tornillo(s) de fijación de la horquilla. 6. Afloje y baje cuidadosamente la base y verifique que el tornillo de fijación de la bola para colgar esté bien apretado.



SOLUCIÓN DE PROBLEMAS

PROBLEMA	CAUSA POSIBLE	ACCIÓN CORRECTIVA
El ventilador funciona, pero la luz no (si corresponde).	<ol style="list-style-type: none"> 1. La bombilla no está instalada correctamente. 2. Los conductores de la base no están bien conectados. 3. El interruptor de pared del ventilador está apagado. 4. El kit de iluminación cuenta con lámparas de más de los 190 vatios permitidos, lo que provoca que el dispositivo de control de vataje interrumpa el flujo de electricidad hacia el kit de iluminación. 	<ol style="list-style-type: none"> 1. Vuelva a instalar la bombilla. 2. Revise los conductores de la base y, si es necesario, vuelva a conectarlos de acuerdo con las instrucciones de las páginas 30 y 31. 3. Asegúrese de que el interruptor de pared del ventilador esté en la posición de encendido. 4. Kit de iluminación de la lámpara con bombilla que no suma más de 190 vatios.

NOTA: Una pequeña cantidad de "tambaleo" es normal y no se debe considerar como un defecto.

GARANTÍA LIMITADA DE POR VIDA

El distribuidor garantiza que este ventilador no presenta defectos en la mano de obra ni en los materiales presentes al momento del transporte desde la fábrica durante un período limitado de por vida a partir de la fecha de compra. Esta garantía es válida solo para el comprador original. El distribuidor acepta reparar cualquier defecto sin cargo o, según nuestro criterio, reemplazar el ventilador de techo por un modelo comparable o superior.

Para obtener el servicio de garantía, presente una copia del recibo de venta como comprobante de la compra. Todos los costos de extracción y reinstalación son responsabilidad absoluta del comprador. Cualquier daño al ventilador de techo producido por accidente, uso indebido o instalación incorrecta, o por el uso de piezas no producidas por el fabricante de este ventilador o accesorios de fijación que no son del fabricante de este ventilador, será responsabilidad del comprador. El distribuidor no asume ningún tipo de responsabilidad por la instalación del ventilador durante la garantía limitada de por vida. Cualquier servicio realizado por una persona no autorizada invalidará la garantía.

Debido a las cambiantes condiciones climáticas, esta garantía no cubre cambios en el acabado de latón, óxido, picaduras, deslustre, corrosión o descascarado. Los ventiladores con acabado de latón mantienen su belleza cuando se les protege de las cambiantes condiciones climáticas. La garantía no cubre los elementos de vidrio incluidos con este ventilador.

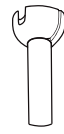
Cualquier reemplazo de piezas defectuosas para el ventilador de techo debe informarse dentro del primer año a partir de la fecha de compra. Para conocer el saldo de la garantía, llame a nuestro Departamento de Servicio al Cliente (al **1-800-643-0067**) para obtener la autorización para la devolución y las instrucciones de envío, de modo que podamos reparar o reemplazar el ventilador de techo. Un ventilador o piezas devueltas con un embalaje incorrecto son de responsabilidad única del comprador. No existe otro tipo de garantía explícita. El distribuidor rechaza cualquiera y todas las garantías implícitas. La duración de cualquier garantía implícita que no pueda rechazarse se limita al período limitado de por vida especificado en nuestra garantía. El distribuidor no se hará responsable por daños accidentales, resultantes ni especiales que surjan en relación con el uso o el funcionamiento del producto, excepto que la ley indique lo contrario. Esta garantía le otorga derechos legales específicos, pero podría tener también otros derechos que varían según el estado. Esta garantía sustituye cualquier garantía previa.



LISTA DE PIEZAS DE REPUESTO

Para obtener piezas de repuesto, llame a nuestro Departamento de Servicio al Cliente al **1-800-643-0067**, de lunes a jueves de 8 a.m. a 6 p.m., y los viernes de 8 a.m. a 5 p.m., hora estándar del Este.

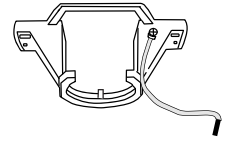
PIEZA	DESCRIPCIÓN	N.º DE PIEZAS
A	Varilla	276094-A
B	Base	276094-B
C	Abrazadera de montaje	276094-C
E	Cubierta de la horquilla	276094-E
F	Aspa	276094-F
I	Tornillo del motor	276094-I
K	Arandela de seguridad	276094-K
L	Tornillo de montaje de la base	276094-L
M	Pasador	276094-M
N	Sujetador	276094-N
O	Pantalla de vidrio	276094-O
P	Arandela de estrella	276094-P
AA	Tornillo para aspa	276094-AA
BB	Arandela para aspa de fibra	276094-BB



A



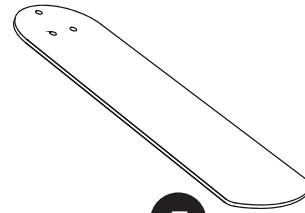
B



C



E



F



I



K



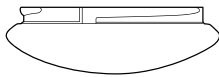
L



M



N



O



P



AA



BB

Impreso en China

Harbor Breeze® es una marca registrada de LF, LLC. Todos los derechos reservados.



Lowes.com/harborbreeze