

**JETSYSTEM  
WASHING  
MACHINE  
TJ1053**

**INSTRUCTION BOOKLET**

## WARNINGS AND GUIDANCE

**It is most important that this instruction book should be retained with the appliance for future reference. Should the appliance be sold or transferred to another owner, or should you move house and leave the appliance, always ensure that the book is left with the appliance in order that the new owner can get to know the functioning of the appliance and the relevant warnings.**

**These warnings are provided in the interest of safety. You MUST read them carefully before installing or using the appliance.**

- This appliance is designed to be operated by adults. Children should not be allowed to tamper with the controls or play with the product.
- It is dangerous to alter the specifications or attempt to modify this product in any way.
- Any electrical work required to install the appliance should be carried out by a qualified plumber or competent person.
- This product should be serviced by an authorised Zanussi Service Centre, and only genuine Zanussi spare parts should be used.
- Care must be taken to ensure that the appliance does not stand on the electrical supply cable.
- Always unplug the appliance and turn off the water after use.
- Do not overload the appliance. See relevant section in the instruction book.
- This appliance is heavy. Care should be taken when moving it.
- All packing and transit bolts must be removed before use. Serious damage can occur to the product and to property if this is not adhered to. See relevant section in instruction book.
- Only wash fabrics which are designed to be machine washed. If in doubt, consult the manufacturer of that item.
- Before washing, ensure that all pockets are empty and buttons and zips are fastened. Avoid washing frayed or torn articles and treat stains such as paint, ink, rust, and grass before washing.
- Underwired bras must NOT be machine washed.
- Any objects such as coins, safety pins, nails, screws, stones or any other hard, sharp material can cause extensive damage and must not be placed in the appliance.
- Before selecting a programme or changing an ongoing programme, the machine must be switched off by depressing the ON/OFF push-button.
- Garments which have been in contact with volatile petroleum products should not be machine washed. If volatile cleaning fluids are used, care should be taken to ensure that the fluid is removed from the garment before placing in the machine. Always check that there are no volatile or flammable objects left in pockets.
- Wash small items such as socks, laces, washable belts etc in a washing bag or pillow case, as it is possible for such items to slip down between the tub and the inner drum.
- Only use the advised quantities of fabric softener. Damage to the fabric can ensue if you over-fill. Refer to the manufacturer's recommendations of quantities.
- As some duvets and eiderdowns should be washed/dried in large commercial machines because of their bulk, please check with the manufacturer of the item before washing in a domestic machine, even if the dry weight of the item is within the limit advised.
- Pets have been known to climb into washing machines. Please check the tub before use.
- Under no circumstances should you attempt to repair the machine yourself. Repairs carried out by inexperienced persons may cause injury or serious malfunctioning. Contact your local Zanussi Service Force Centre. Always insist on genuine Zanussi spare parts.
- Never tumble dry items that have had contact with chemicals such as dry cleaning fluid. These are of a volatile nature and could cause an explosion. Only tumble dry items which have been washed in water or require airing.
- The users should always check that they have not left their gas lighters (disposable or otherwise) in their clothing.
- If the machine is situated on a carpeted floor, please adjust the feet to ensure that air can circulate freely.

---

# CONTENTS

---

<b>Specifications</b>	<b>Page 3</b>
<b>General Features</b>	<b>Page 4</b>
<b>Installation</b>	<b>Page 5</b>
<b>Electrical Connections</b>	<b>Page 8</b>
<b>The Control Panel</b>	<b>Page 9</b>
<b>How And When To Use The Controls</b>	<b>Page 10</b>
<b>The Wash Symbols</b>	<b>Page 11</b>
<b>Programmes For Cotton And Linen</b>	<b>Page 12</b>
<b>Programmes For Synthetics, Mixed Fabrics, Silk &amp; Wool</b>	<b>Page 13</b>
<b>Use Of Detergent And Additives</b>	<b>Page 14</b>
<b>Helpful Tips For Successful Washing</b>	<b>Page 15</b>
<b>Maintenance</b>	<b>Page 16</b>
<b>Servicing</b>	<b>Page 18</b>

---

# SPECIFICATIONS

---

**TJ 1053**

**DIMENSIONS**

Width : 40 cm  
Height : 85 cm  
Depth : 60 cm

**CAPACITY**

10 lb (washing)

**SPIN SPEED**

Maximum 1000 r.p.m.

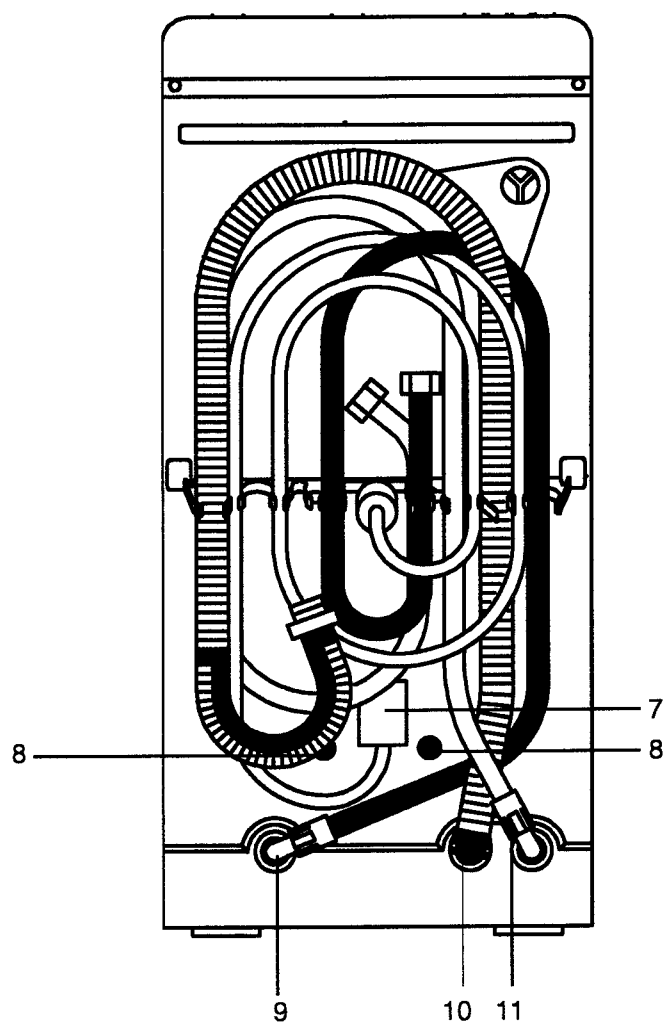
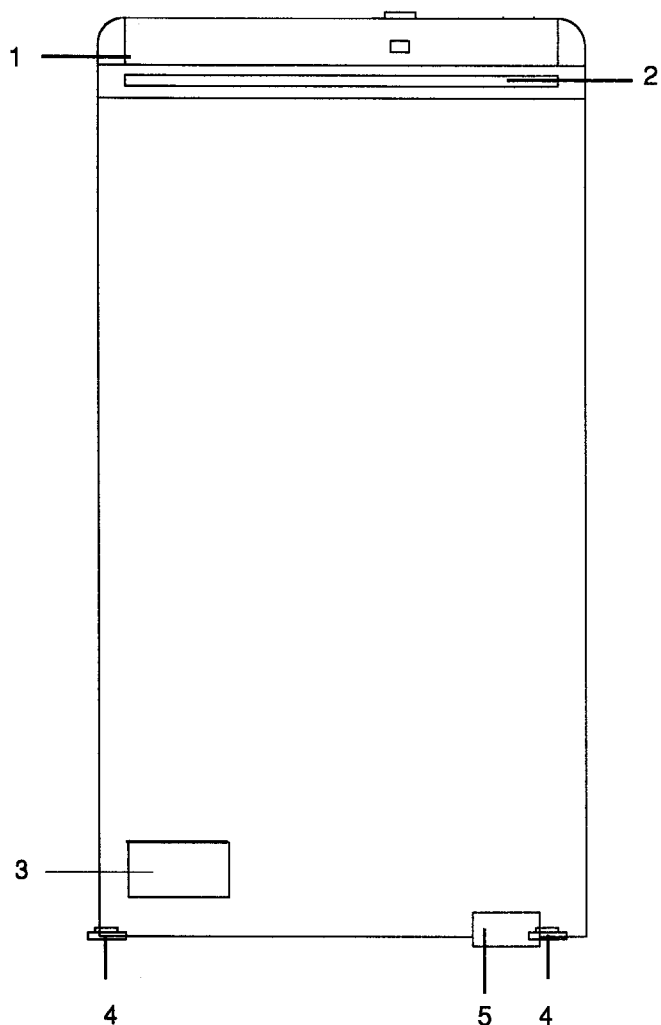
**ELECTRICAL  
CONNECTION**

Voltage 230...240 V - 50 Hz  
Max. Power Absorbed : 2300 W (13 A)

**WATER  
PRESSURE PSI**

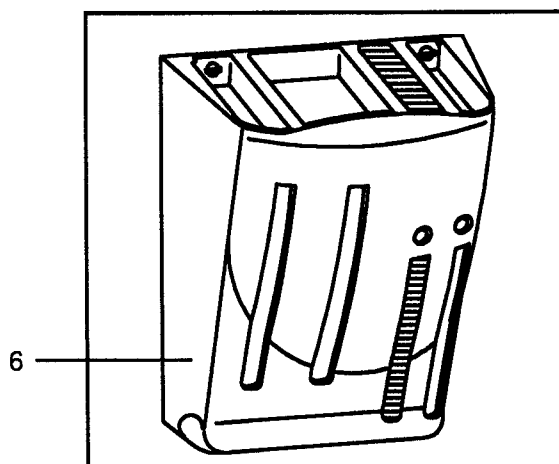
Maximum : 110 psi  
Minimum (hot) : 5 psi  
Minimum (cold) : 7 psi

# GENERAL FEATURES



1. Control Panel
2. Door Catch
3. Drain Filter
4. Adjustable Feet
5. Retractable Roller

6. Washing Powder Dispenser
7. Mains Lead With Plug
8. Transport Safety Screws
9. Hot Water Inlet Hose
10. Drain Hose
11. Cold Water Inlet Hose



# INSTALLATION

## UNPACKING

Having removed the outer carton, reinforcing angles and polythene wrapping, you must take out the internal packing which protects the appliance's 'works' during transit.

Open the lid of your washing machine and take the polystyrene block away. See Fig. 1.

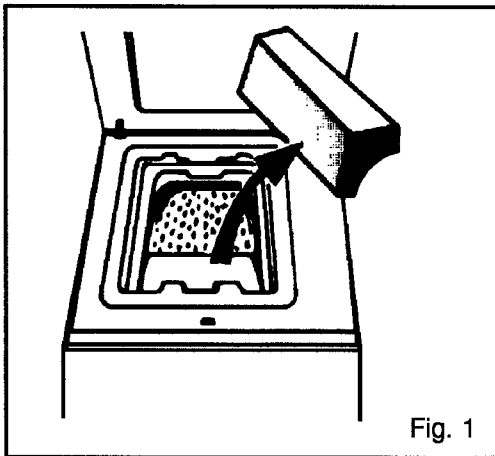


Fig. 1

Then using a spanner remove and pull the 2 threaded pins **A** ; remove the 2 red plastic sleeves **B** using the ring. Do not remove the black protective caps. See Fig. 2.

Plug the holes left by pins **A** with plugs **C** (to be found in the plastic bag with the instruction manual) taking care to shut down the central part as shown on Fig. 2.

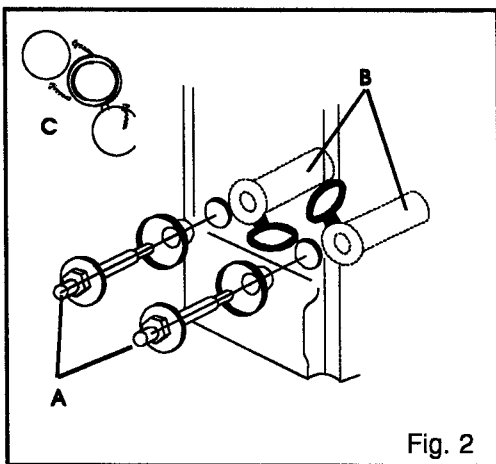


Fig. 2

Lay the machine carefully on its back making sure that the hoses and mains lead and plug are not squashed. Unscrew and remove screws **D**. Lift away part **E**. Keep for future use. See Fig. 3.

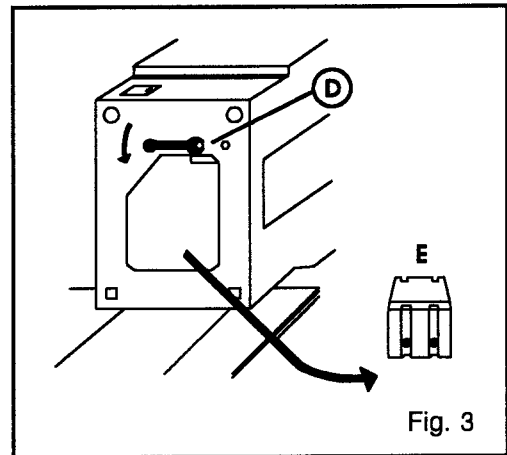


Fig. 3

If you want to keep the alignment of your appliance with the adjacent cupboards, you have the possibility to cut the crossbar holding the hoses located in the back of your washing machine (fig. 4)

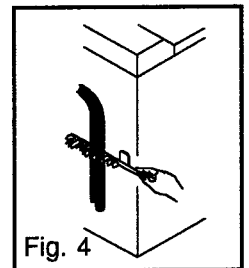


Fig. 4

## INSTALLING

Your new Zanussi washing machine has been designed to be permanently plumbed into your home's water supply, and drainage system.

However, if this is not possible, it may be connected to suitable existing taps, with the drain hose discharging into a sink.

The appliance has one inlet valve, cold, with female 2/4" BSP thread connector. If this connection size is not compatible with the plumbing of the existing installation, a variety of connectors are available from good hardware stores and plumbers merchants to suit most domestic plumbing. Any alterations to your existing plumbing must be carried out by a competent person, or qualified plumber.

The water inlets are normal for cold water ("smooth" grey pipe) and red for hot water (grey pipe).

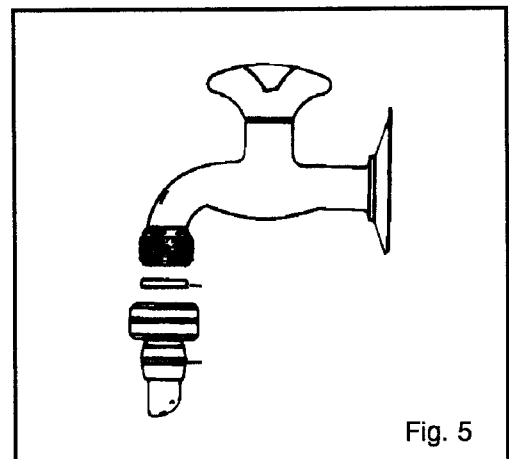


Fig. 5

Before connecting the hose be sure to fit the mesh filter supplied, see Fig. 5.

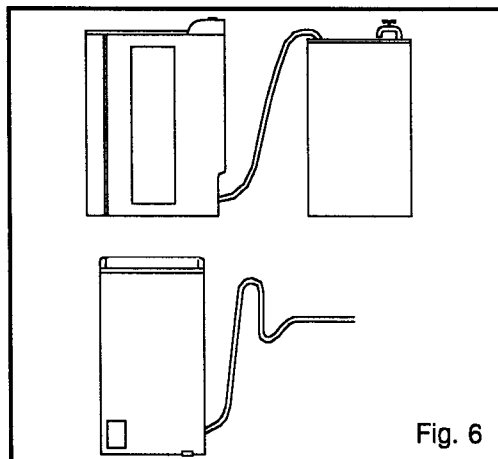
Installation should comply with local water authority and building regulations' requirements. The appliance must be given a separate cold water supply and not be connected to a mixer tap, a single outlet water heater or a booster pump. A minimum water pressure of 7 psi is required for safe operation of the appliance.

If you cannot make the cold water connection direct from the rising mains, you may be able to operate from your cold water storage system. There should be a minimum distance of 5.02 m (16 1/2 ft) between the appliance's inlet and the bottom of the tank.

Set the inlet hose correctly by loosening the ring nut. After positioning the hose, be sure to tighten the ring nut again to prevent leaks.

If you intend the drain hose from the machine to empty into a sink, make sure that the sink is empty and that the plug hole is not blocked.

If the machine is permanently plumbed in, hook the end of the hose into a standpipe installed for that purpose. This should have an internal diameter of at least 38 mm (1 1/2") thus leaving an air gap between the hose and pipe, and should be designed in such a way that the water level within it, never covers the end of the hose, see Fig. 6.



### Important

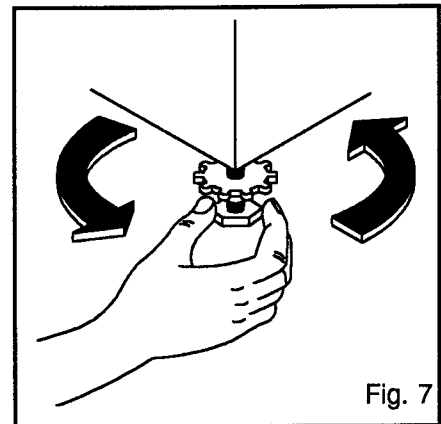
Before connecting up the appliance to new pipework or to pipework that has not been used for some time, run off a reasonable amount of water to flush out any debris that may have collected in the pipes.

Whether discharging into a sink or a standpipe check that the end of the hose is neither too high nor too low. The top curve in the hose's end should be no more than 90 cm (35.4") and no less than 60 cm (23.6") above floor level.

### LEVELLING

It is essential that your machine is absolutely level. The machine is levelled by either raising or lowering the front feet, see Fig. 7.

After levelling, block the adjustable feet by tightening the collars manually or with a screwdriver.



Accurate levelling reduces vibration, noises and displacement of the washing machine during operation.

Some vibration is inevitable, especially if the machine is mounted on a wooden floor. Sprung wooden floors are particularly susceptible to vibration. For advice, consult a builder. If possible, always place the machine on a solid floor.

### POSITIONING

Your washing machine can easily slide in and out from its position by lowering the retractable roller. To do this, turn the special lever at the bottom front of the machine from the right to the left. (This can be done with your foot). Reverse this procedure when the machine is back in place. See Fig. 8.

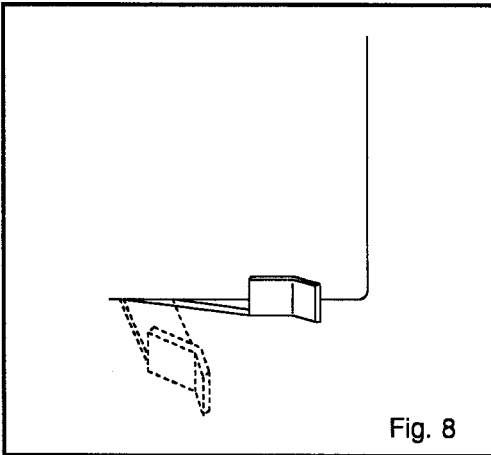
If the floor is carpeted or covered with crumbly or soft material, insert a rigid support base under the feet to prevent noises, vibrations or displacement. The base should protrude a few centimetres beyond the edge of the washing machine front and back.

Position the machine on a firm level surface. Reinforce wooden floors with a solid wood 5 cm thick panel or at least two boards. The supporting panel must protrude a few centimeters beyond the edge of the machine.

The machine must not touch the wall or other furniture.

It is assumed that the tap, drainage point and socket are within easy reach of the machine hoses and power supply cable. If not, you are advised to call your fitter in order to move tap and/or drainage point and/or socket.

Your washing machine can be easily slid in and out from its position by lowering the retractable roller. To do this, turn the special lever at the bottom front of the machine from the right to the left. (This can be done with your foot). Reverse this procedure when the machine is back in place. See Fig. 8.



#### Note

Please ensure that when the appliance is installed it is easily accessible for the engineer in the event of a breakdown.

All plumbing and electrical work required to install this appliance must be carried out by competent or qualified plumbers or electricians.



# ELECTRICAL CONNECTIONS

**WARNING : THIS APPLIANCE MUST BE EARTHED.**

**The manufacturer declines any liability should this safety measure not be observed.**

If the plug that is fitted to your appliance is not suitable for your socket outlet, it must be cut off and the appropriate plug fitted.

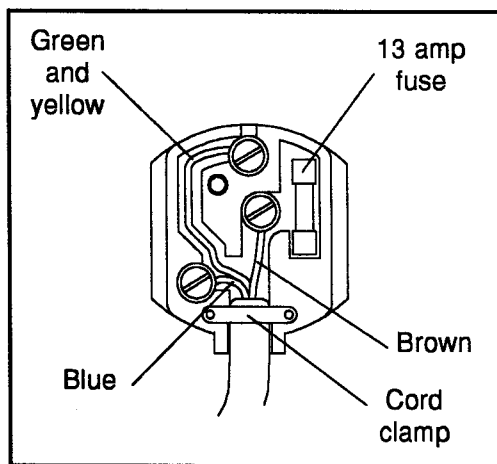
Remove the fuse and carrier from the cut off plug. The plug should then be disposed to prevent the hazard of electric shocks in case it should be plugged into a 13 amp socket in another part of your home.

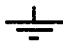
## Important

The wires in this mains lead are coloured in accordance with the following code :

<b>Green and Yellow</b>	- <b>Earth</b>
<b>Blue</b>	- <b>Neutral</b>
<b>Brown</b>	- <b>Live</b>

If you fit your own plug, the colours of the wires in the mains lead of your appliance may not correspond with the markings identifying the terminals in your plug. Proceed as follows :



Connect the green and yellow (earth) wire to the terminal in the plug which is marked with the letter 'E' or the earth symbol  or coloured green, or green and yellow.

Connect the blue (neutral) wire to the terminal in the plug which is marked with the letter 'N' or coloured blue.

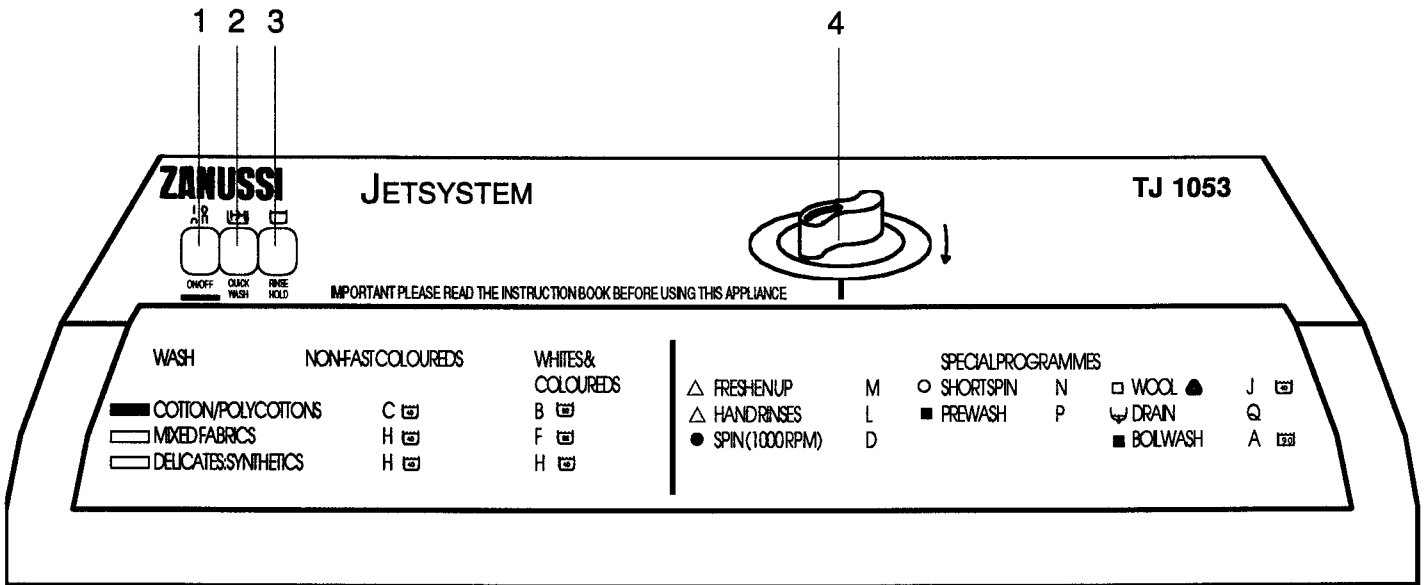
Connect the brown (live) wire to the terminal in the plug which is marked with the letter 'L' or coloured red or brown.

The plug moulded on to the cord incorporates a fuse. For replacement, use a 13 amp BS1362 fuse. Only ASTA approved fuses should be used. The fuse cover/carrier must be refitted should it be removed to replace a fuse. It should be red in colour.

The plug must **not** be used if the fuse cover/carrier is lost. A replacement red cover/carrier must be obtained from your local Zanussi Service Centre whose address is listed in the directory toward the back of this instruction book and can also be found in your local telephone directory under 'z'.

The appliance complies with E.E.C. Directive N° 87/308 of 2.6.87 relative to radio interference suppression.

# THE CONTROL PANEL



## 1. On-Off Button

To start the machine, press this button in, the wash programme display will illuminate ; to stop, press the button again.

## 2. Quick Wash Button

Press at the start of the programme F to M and the programme time will be shortened.

## 3. Rinse Hold Button

Press this button to leave the water in the drum after the wash cycle is completed.

This works only on mixed fabrics, wool or delicate/ synthetic programmes (programmes F to N). The clothes are left suspended in water after the final rinse to prevent the formation of creases. Depress this button to drain the water.

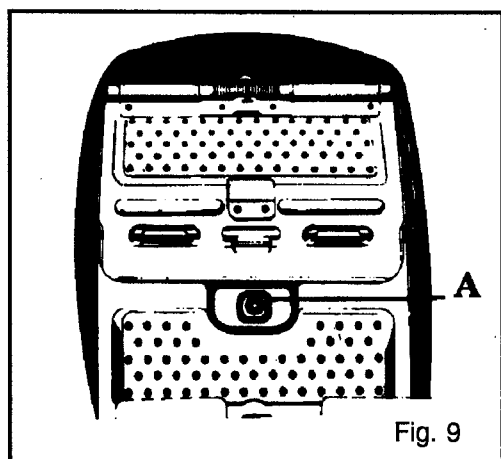
## 4. Programme Selector Dial

To select the required programme, turn the knob clockwise, until the marker at the top of the dial coincides with the required programme.

# HOW AND WHEN TO USE THE CONTROLS

## HOW TO LOAD THE CLOTHES

- Lift up the lid of the machine.
- Open the drum with both your hands by pressing the release button (A). The 2 flapdoors will open outward on a spring giving access to the drum. **Take care, the spring is strong.**
- Shake your washing out loosely and place into the drum ; close the drum and shut the door, **ensuring that button (A) is raised.** See Fig. 9.



## START

After loading the laundry and placing the washing detergent and additives into the appropriate compartments, before starting up the machine check that :

- the appliance is plugged in
- the water supply tap is turned on
- the drain hose is correctly and securely positioned
- the lid is closed.

If required, press the rinse hold and/or quick wash button(s).

Select the required programme by turning clockwise until the programme lines up with the marker.

At this stage, press the 'on/off' button. The pilot light will come on and the programme will begin.

## STOP

When the programme has finished, the programme dial will be in the 'I' position and the washing machine will have stopped automatically.

If you have pressed the 'rinse hold' button, the water remaining in the drum must be drained by releasing the 'rinse hold' button.

Open the lid at the end of the programme.

If necessary you can stop the machine by pressing the 'on/off' button again.

At the end of the programme all the buttons must be reset to the 'rest' position (not depressed).

## THE WASHING PROGRAMMES

The machine has a wide range of programmes for all types of fabrics. The differences between the programmes are the rotation rhythm of the drum, the washing temperature, the water level, the use or not of the spin cycle etc.



















Three special programmes are included in this washing machine :

"**Hand Rinses**" is intended as a rinse cycle to use after laundry has been washed by hand.

"**Freshen Up**" is a single rinse cycle which takes in fabric conditioner. Use for unsoiled laundry that may, for example, need rinsing to remove a stale smell, or to revive badly creased dry laundry.













# THE WASH SYMBOLS

The familiar wash code symbols which are found on the care labels in most clothes are disappearing and a new set is being introduced. These changes are due to changes in fabrics and detergents and because people are tending to use fewer programmes and mix fabrics in one load. The change brings the codes into line with the labelling used in the rest of Europe. The new wash symbols will also appear on the side of Washing Detergent packets.

Old Symbol	New Symbol	Wash Action	Fabric
		Normal (Maximum)	White Cotton or Linen without Special Finishes
		Normal (Maximum)	Cotton, Linen or Viscose without Special Finishes. Colourfast at 60°C
	No longer used. White Nylon, Polyester/Cotton mixtures now included in 		
		Reduced (Medium)	Nylon, Polyester/Cotton, Viscose with Special Finishes : Cotton/Acrylic Mix.
		Normal (Maximum)	Cotton, Linen or Viscose. Colourfast at 40°C but not at 60°C
		Reduced (Medium)	Acrylics, Acetate, Triacetate, Wool mixes, Polyester/Wool blends.
		Much Reduced (Minimum)	Wool, Wool mixes, Silks.
	No longer used. Silk now included in  ; Printed Acetate included in 		
	No longer used.		


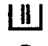




# PROGRAMMES FOR COTTON AND LINEN

Recommended load : Maximum 4.5 Kg (10 lb)

PROGRAMME	DEGREE OF SOIL	COMPARTMENTS TO USE (⊗ IF REQUIRED)	PROGRAMME DIAL POSITION	DESCRIPTION
 PREWASH	Heavy Soil	 	<b>P</b>	Prewash at 40°C, Stop
 WHITES	Normal Soil	 	<b>A</b>	Wash at 90°C, 4 rinses Spin
 WHITES/ COLOUREDS	Normal Soil	 	<b>B</b>	Wash at 60°C 4 rinses Spin
 NON-FAST COLOUREDS	Normal Soil	 	<b>C</b>	Wash at 40°C 4 rinses Spin
LONG SPIN (1000 rpm)			<b>D</b>	Long spin approx 6 minutes. Always preceded by a low-speed draining phase

# PROGRAMMES FOR SYNTHETICS, MIXED FABRICS, SILK & WOOL

Recommended load : Maximum 2 Kg (4.5 lb) ; wool max. 1 Kg (2.2 lb)

PROGRAMME	DEGREE OF SOIL	COMPARTMENTS TO USE (⊗ IF REQUIRED)	PROGRAMME DIAL POSITION	DESCRIPTION
 MIXED FABRICS	Normal Soil	 ⊗	<b>F</b>	Wash at 50°C 3 rinses Short spin
 WOOL	Normal Soil	 ⊗	<b>J</b>	Wash at 40°C 3 rinses Short spin
 DELICATES/ SYNTHETICS	Normal Soil	 ⊗	<b>H</b>	Wash at 40°C 3 rinses Short spin
HAND RINSES		⊗	<b>L</b>	3 rinses with additive if required Short spin
FRESHEN UP		⊗	<b>M</b>	1 rinse with additive if required Short spin
SHORT SPIN			<b>N</b>	Short spin approx. 2 minutes. Always preceded by a low-speed draining phase
DRAIN			<b>Q</b>	Draining of water

## Water filling :

30°/40°/50°C programmes	- cold water filling
60°C programmes	- hot and cold water filling
90°C programmes	- hot and cold water filling

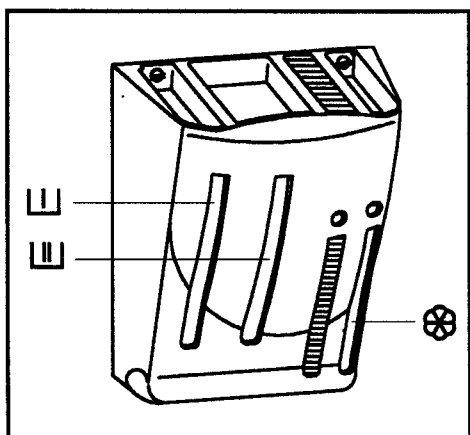
# USE OF DETERGENT AND ADDITIVES

## CHOOSING THE RIGHT WASHING DETERGENT

Always use a low lather detergent. This is important as too much lather prevents the articles from being properly cleansed and you may damage the machine. Ariel Automatic is specially designed to complement the cleaning action of the machine.

## USE OF WASHING DETERGENT

The washing detergent should be placed in the appropriate compartments in the washing detergent dispenser before starting the programme.



The compartment marked with the symbol (||) is for the prewash powder (if required by the programme). The compartment marked with the symbol (|||) is for the main wash powder.

## HOW MUCH DETERGENT ?

Your washing machine has a unique water circulation system which runs continuously. This means that it uses detergent sparingly.

Initially you are advised to use less than the quantity specified by the detergent manufacturer.

Subsequently it is worth experimenting to see if your laundry comes out clean with smaller quantities.

Powder residue left on the clothes at the end of a wash indicates too much powder. If the drum is only half-full, you can obviously use less detergent.

## USE OF LIQUID ADDITIVES

Any liquid additives for softening, starching or bleaching the laundry must be poured into the appropriate compartment of the washing detergent dispenser before starting the programme.

The compartment marked with the symbol (⊗) is for softeners or starching agents. Concentrated additives **MUST** be diluted before pouring into the compartment.

Never exceed the **MAX** level.

## USE OF LIQUID DETERGENT

Suitable liquid detergent such as Ariel can be used instead of washing powder.

In this case a programme without prewash must be selected.

Pour the liquid detergent into the compartment (|||) in the dispenser, unless the detergent has its own dispenser ball, this should be used according to the manufacturer's instructions, immediately before starting the programme.

---

## HELPFUL TIPS FOR SUCCESSFUL WASHING

---

- Do NOT overload the machine. Weigh the laundry the first few times you use the appliance. The average weights of the most common items are listed below as a guide :

### 1000 g = 1 Kg

Sheet	700-1000 g
Pillow case	100-200 g
Tablecloth	400-500 g
Serviette	50-100 g
Tea towel	70-120 g
Linen hand towel	100-150 g
Towelling hand towel	150-250 g
Towelling bath towel	700-1000 g
Bath robe	1000-1500 g
Man's shirt	200-300 g
Apron	150-200 g

- Do not put washing detergent into the dispenser until just before starting the programme. If the detergent is left for any length of time in the dispenser it may form lumps which are difficult to dissolve.
- Load the laundry loosely alternating large items with small ones.
- Sort the laundry according to the type of fabric, colour-fastness and how dirty it is.
- Avoid washing un-hemmed or torn items as they may unravel.
- Before washing, empty all pockets of small objects which may have been left inside (coins, keys, screws, etc) as these could damage the drain pump.
- When washing curtains, remove the hooks.
- **When washing net curtains, to avoid excessive and damaging amount of lather it is advisable to wash large curtains singularly and take extra care when measuring the detergent. Should an excess of lather accidentally occur, switch off the machine advance the programme to a pump and rinse sequence to remove the lather and start the wash again.**
- Close poppers and zips and fasten loose buttons.
- For the best results do not wash more than 1.5-2 Kg (3-5 lb) of synthetic fabrics in one load. Synthetics fabrics need plenty of room to move around or they tend to crease.

- It is essential to wash new coloured items separately when washing for the first time.
- When washing fabrics requiring different wash temperatures together, always select the lowest temperature.
- White items should not be washed with coloured items.
- Very small items (handkerchiefs, ribbons, socks, etc) should be washed in a washing bag or pillow case.
- Use a good quality detergent suitable for automatic washing machines.
- Use the correct quantities of detergent.
- For wool, use gentle detergents only in small quantities.
- Bleach is very corrosive ; it should be used with care and kept out of reach of children.
- Some stains such as fruit, wine, grass, rust etc are difficult to remove and should be treated before washing with specific products which can be found in most household shops. In some cases it may help to soak the stain before washing with a special pre-soak product or biological detergent.
- Only wool marked 'Pure New Wool - washable, preshrunk' can be washed in the machine using the wool programme ; other types of wool should be washed by hand or dry cleaned.
- Once you have finished using the machine, you are advised to unplug it and turn off the water tap.



# MAINTENANCE

## Important

Before carrying out any maintenance or cleaning you must **DISCONNECT** the appliance from the electricity supply.

## DESCALING

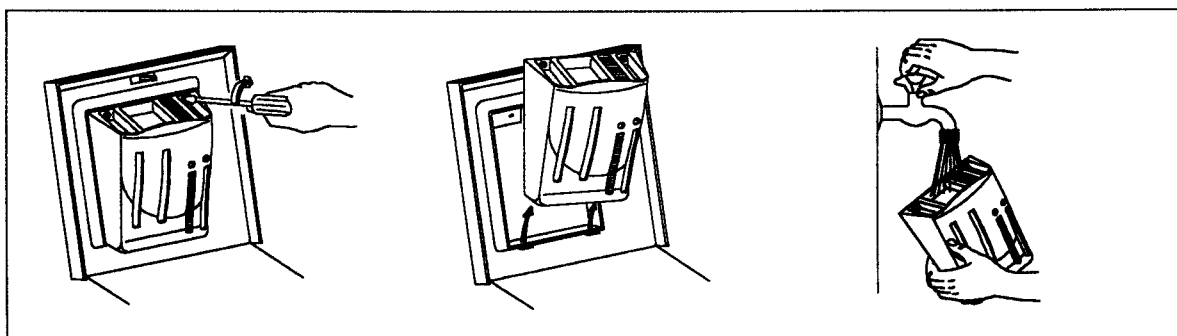
The water we normally use contains lime. From time to time, and more often for hard water, it is a good idea to use a water softening powder in the machine. Do this separately from any laundry washing, and according to the softening powder manufacturer's instructions. This will help to reduce the formation of lime deposits.

If you have not been using descaler regularly, do not start using it once the machine has been in use for some time as the limescale built-up will dislodge and could cause component damage.

## EXTERNAL CLEANING

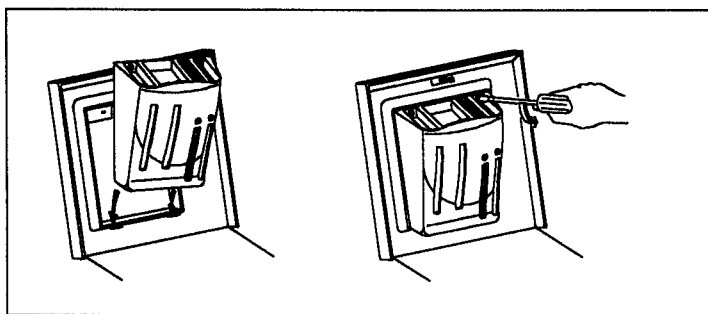
Use soap and water only and then dry the appliance thoroughly.

## CLEANING THE SOAP POWDER DISPENSER



The detergent dispenser is very easy to remove. Just turn the two screws 1/4 of a turn and slide the box towards the top

Clean the detergent dispenser under running water with a brush or a piece of rag.



Reposition the detergent dispenser into the lid and refix the two screws

## THE DANGERS OF FREEZING

If the machine is exposed to temperatures below 0°C, certain precautions should be taken.

- Turn off both water taps.
- Select a wash programme and run for a few seconds to relieve the pressure in the hoses. Unscrew hoses and drain them into a bowl at ground level.
- Unhook the drain hose from the rear support and position the end in a bowl at ground level to drain.
- When intending to start the machine up again, make sure that the room temperature is above 0°C .

## THE WATER DRAIN FILTER

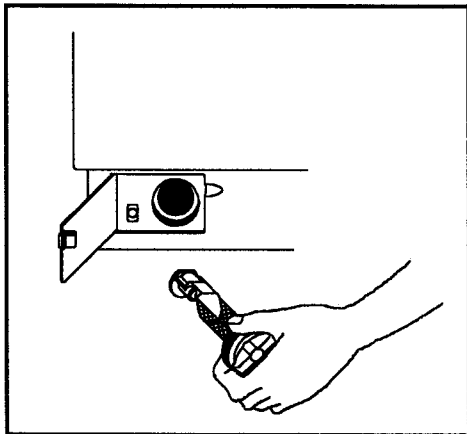
A clean filter is important for correct functioning of the machine, and should therefore be cleaned after every wash.

Open the panel covering the filter. Place a container underneath to catch any spillage. According to the models, complete the draining of the appliance by taking away the yellow cap and by extracting the little hose located on the left of the filter.

If the filter is blocked and the machine will be unable to drain, you will need to drain the water manually from the machine at this stage. To do this, unhook the drain hose from the standpipe or sink and hold the end of the hose over a bowl on the floor. The water should drain by gravity into the bowl. When the bowl is full, hook the hose back up and empty the bowl.

Repeat the procedure until the water stops flowing out.

Unscrew the filter anti-clockwise.



Remove the filter, and clean carefully under a running tap.

## WARNING

When the appliance is in use and depending on the programme selected there can be hot water in the filter.

Never remove the filter during a wash cycle, always wait until the appliance has finished the cycle, and is empty. When replacing the filter, ensure it is securely retightened. This will prevent leaks and also stop young children being able to remove the filter.

## CLEANING THE INLET FILTERS

If your water is very hard or contains traces of lime deposit, the water inlet filters may become clogged. It is therefore a good idea to clean them from time to time.

Turn off the water taps, run a programme for a second or two, to release the pressure in the hoses and prevent spurting, then unscrew the water inlet hoses.

Remove and clean the filters using a hard bristle brush. Replace the filters and tighten up the inlet hoses.

---

# SERVICING

---

Before contacting your local Zanussi Service Centre, please make the following checks :

## PROBLEM

### The Machine Does Not Start Up

(with pilot light on)

## CAUSE

- The On-Off button is not depressed
- The lid is not closed properly
- The appliance is not plugged in
- There is no electricity supply from wall socket
- The programme selector is not correctly positioned
- No water is entering the machine

## SOLUTION

- Press the On-Off button
- Close the lid
- Plug the appliance in
- Check the fuse
- Consult a qualified electrician
- Press and turn the programme selector to the required programme
- See solutions to the problem :  
**THE MACHINE DOES NOT FILL**

---

### The Machine Does Not Fill

- The water tap is not on
- The water supply has been cut off
- The inlet hose is bent
- The water pressure is too low
- The water inlet filter is clogged

- Turn the tap on
- Wait until the water supply is restored
- Straighten the bend out
- If this occurs often, consult a qualified plumber
- Clean the filter see page 27.

---

### The Machine Empties As It Fills

- The end of the drain hose is too low
- The end of the drain hose is submerged in water
- Drain pipe without vent-hole

- Position the drain hose at the correct height (Between 60 and 90 cm)
- The end of the drain hose must NOT be submerged
- Consult a qualified plumber

---

### The Machine Does Not Drain Or Spin

- You have pressed the 'Rinse Hold' button
- The drain filter is clogged
- The drain hose is bent
- The drainage system pipes are blocked
- The drain hose extension is incorrect

- Press the button again to drain the water
- Clean the filter, before doing this see page 27.
- Straighten the hose out
- Consult a qualified plumber
- Consult a qualified plumber

---

### The Machine Leaks Or Overflows

- Too much washing powder
- Unsuitable washing powder
- The inlet hose ring is loose
- The detergent dispenser recess is clogged
- The end of the drain hose is not correctly positioned

- Reduce the quantity of washing powder
  - Only use washing powder suitable for automatic machines
  - Tighten the ring (see page 7)
  - Clean the recess (see page 26)
  - Position the drain hose correctly
-

## PROBLEM

## CAUSE

## SOLUTION

### The Machine Vibrates Or Is Noisy

- The internal packing has not been removed
- The machine is in contact with the wall or furniture
- The washing load is badly distributed
  
- The machine is overloaded

- Remove the internal packing (see page 6)
- The machine is not level
- Move the machine ; it should rest freely on its feet
- Remember to shake out large items (e.g. sheets) when loading
- Run the draining programme (R), reduce the load and continue

---

### The Door Does Not Open

- The safety device has locked it
  
- Water in the wash tub

- Wait 1-2 minutes after the end of the programme before opening the lid
- Drain the water by running the draining programme (R)

---

If, after the above checks, there is still a fault, please contact the Zanussi Customer Service Department at Newbury on 0635 521313.







